

ITEM #	DETAIL TITLE	WORK BY:	ITEM #	DETAIL TITLE	WORK BY:	ITEM #	DETAIL TITLE	WORK BY:
	100 CHECK-OUT AREA/VESTIBULE			200 GENERAL LIST (CONTINUED)			400 OUR WINE COUNTRY ONTARIO (CONTINUED)	
F101	CART CORAL	GC	F275	DOUBLE-SIDED GIFT/SPIRITS FIXTURE W/ U.V. PETG PANEL (7'-10" H.)	GC/SS	F421	OUR WINE COUNTRY ONTARIO HALF TROLLEY/RELEASE PLINTH	MW
F102	VESTIBULE COAT STORAGE	MW	F276	1-MODULE GENERAL LIST PERIMETER LOCKABLE DISPLAY (7'-10" H.)	MW	F422	OUR WINE COUNTRY ONTARIO TOLIX-STYLE COUNTER STOOL	GC
F103	WINDOW SILL DETAIL	MW	F277	2-MODULE GENERAL LIST PERIMETER LOCKABLE DISPLAY (7'-10" H.)	MW	F423	OUR WINE COUNTRY ONTARIO 4'-0" METAL FLOOR GONDOLA (4-HIGH)	SS
F104	CASH/CHECK-OUT DESK W/ GLASS PARTITION & BASKET WELL	MW	F278	3-MODULE GENERAL LIST PERIMETER LOCKABLE DISPLAY (7'-10" H.)	MW	F424	OUR WINE COUNTRY ONTARIO 3'-0" METAL FLOOR GONDOLA (4-HIGH)	SS
F104a	CASH/CHECK-OUT DESK W/ BASKET WELL	MW	F279	METAL GONDOLA END (NARROW) - GENERAL LIST	*UPDATED* SS	F425	OUR WINE COUNTRY ONTARIO 2'-0" GONDOLA ENDS (4-HIGH)	SS
F105	ORDER PICK-UP DESK W/ CART	*NEW* MW	F280	3-HIGH 4'-0" METAL FLOOR GONDOLA (NARROW) - GENERAL LIST	*UPDATED* SS	F426	OUR WINE COUNTRY ONTARIO GONDOLA CATEGORY SIGN W/ 1'-3" STEMS	SS
F106	U-SHAPED CASH/CHECK-OUT DESK W/ BASKET WELL	MW	F281	3-HIGH 3'-0" METAL FLOOR GONDOLA (NARROW) - GENERAL LIST	*UPDATED* SS	F427	OUR WINE COUNTRY ONTARIO 18" x 24" METAL SIGN HOLDER	SS
F107	MERCHANDISER FOR U-SHAPED CASH DESK	MW	F282	3-HIGH 2'-0" CONVERTIBLE FLOOR GONDOLA (NARROW) - GENERAL LIST	*UPDATED* SS	F428	OUR WINE COUNTRY ONTARIO 11" x 17" METAL SIGN HOLDER	SS
F108	ORDER PICK-UP KIOSK DESK	*NEW* MW	F283	4-HIGH 4'-0" METAL FLOOR GONDOLA (NARROW) - GENERAL LIST	*UPDATED* SS		500 VQA	
F109	U-SHAPED CUSTOMER SERVICE DESK W/ BASKET WELL	*UPDATED* MW	F284	4-HIGH 3'-0" METAL FLOOR GONDOLA (NARROW) - GENERAL LIST	*UPDATED* SS	F501	RESERVED	
F110	INFORMATION BOARD W/ REMOVABLE BROCHURE HOLDER	MW	F285	4-HIGH 2'-0" CONVERTIBLE FLOOR GONDOLA (NARROW) - GENERAL LIST	*UPDATED* SS	F502	VQA REMOVABLE GONDOLA P.O.P. FRAME	MW
F111	DOUBLE-SIDED CORK BOARD WITH 2 BROCHURE HOLDERS	MW	F286	DOUBLE-SIDED GIFT/SPIRITS FIXTURE WITH METAL SHELVES (ILLUMINATED)	*UPDATED* SS	F503-F505	RESERVED	
F112	FREE-STANDING BOX STORAGE	MW	F287	DOUBLE-SIDED GIFT/SPIRITS FIXTURE W/ FRONT CANOPY ILLUMINATION	*NEW* SS	F506	VQA GONDOLA SIGNAGE - TYPE A (4-HIGH)	MW
F112a	FREE-STANDING BOX STORAGE - LOCKABLE	*NEW* MW	F288	3'-0" IN-LINE DISPLAY ON SHELVES	*NEW* SS	F507	RESERVED	
F113	BOX STORAGE	MW	F289	4'-0" IN-LINE DISPLAY ON SHELVES	*NEW* SS	F508	VQA GONDOLA SIGNAGE - TYPE B (4-HIGH)	MW
F114	CASH DESK MERCHANDISER - TYPE 2	MW		300 VINTAGES		F509-F516	RESERVED	
F115	CASH DESK MERCHANDISER - TYPE 3	MW	F301	4'-0" VINTAGES PERIMETER METAL SHELVING UNIT C/W FASCIA PANEL	SS/GC/MW	F517	VQA GONDOLA SIGNAGE - TYPE A (3 HIGH)	MW
F116	STRAIGHT CASH DESK	MW	F301a	4'-0" VINTAGES PERIMETER METAL SHELVING UNIT C/W FASCIA PANEL & METAL CROSS BRACING	SS/GC/MW	F518	VQA GONDOLA SIGNAGE - TYPE B (3-HIGH)	MW
F117	GRILLE ENCLOSURE POCKET DOOR PANEL DETAIL	MW	F302	3'-0" VINTAGES PERIMETER METAL SHELVING UNIT C/W FASCIA PANEL	SS/GC/MW	F519	4-HIGH VQA METAL GONDOLA END	SS
F118	RESERVED		F302a	3'-0" VINTAGES PERIMETER METAL SHELVING UNIT C/W FASCIA PANEL & METAL CROSS BRACING	SS/GC/MW	F520	4-HIGH 4'-0" METAL FLOOR GONDOLA	SS
F119	CASH LIFT	*NEW* SS	F303	VINTAGES PERIMETER SHELVING GABLE/FILLER PANEL	MW	F521	4-HIGH 3'-0" METAL FLOOR GONDOLA	SS
F120-F121	RESERVED		F304	VINTAGES PERIMETER SHELVING	MW	F522	3-HIGH VQA METAL GONDOLA END	SS
F122	LOCKABLE METAL BOX STORAGE	*NEW* SS	F305	VINTAGES PERIMETER LOCKABLE DISPLAY UNIT	MW	F523	3-HIGH 4'-0" METAL FLOOR GONDOLA	SS
F123	NON LOCKABLE METAL BOX STORAGE	*NEW* SS	F306	VINTAGES CONSULTANT'S DESK	MW	F524	3-HIGH 3'-0" METAL FLOOR GONDOLA	SS
F124	COUNTER TOP OF METAL BOX STORAGE	*NEW* MW	F307	VINTAGES THE UNIT	*UPDATED* GC/MW			
	200 GENERAL LIST		F308	VINTAGES SMALL CORKBOARD/ BROCHURE HOLDER (RECESSED)		MW	600 WALK-IN COLDROOM	
F201	4'-0" PERIMETER METAL SHELVING UNIT C/W FASCIA PANEL & METAL TICKET MOULDINGS	*UPDATED* SS/GC/MW	F309	VINTAGES LARGE BROCHURE RACK	MW	F601	4'-0" WALK-IN COLDROOM PERIMETER METAL SHELVING UNIT C/W FASCIA PANEL	*UPDATED* SS/GC
F201a	4'-0" PERIMETER METAL SHELVING UNIT C/W FASCIA PANEL METAL TICKET MOULDINGS & METAL CROSS BRACING	*UPDATED* SS/GC/MW	F310	VINTAGES TROLLEY CART END DISPLAY UNIT W/ CHALKBOARD (3'-2" WIDE)	MW	F602	3'-0" WALK-IN COLDROOM PERIMETER METAL SHELVING UNIT C/W FASCIA PANEL	*UPDATED* SS/GC
F202	3'-0" PERIMETER METAL SHELVING UNIT C/W FASCIA PANEL & METAL TICKET MOULDINGS	*UPDATED* SS/GC/MW	F311	VINTAGES PRODUCT RISER (TYPE A)	MW	F603	WALK-IN COLDROOM END PLINTH	SS
F202a	3'-0" PERIMETER METAL SHELVING UNIT C/W FASCIA PANEL METAL TICKET MOULDINGS & METAL CROSS BRACING	*UPDATED* SS/GC/MW	F312	VINTAGES PRODUCT RISER (TYPE B)	MW	F604	WALK-IN COLDROOM END CAP PANEL	*UPDATED* SS
F203	PERIMETER SHELVING GABLE/FILLER PANEL	MW	F313	RESERVED		F605	WALK-IN COLDROOM GONDOLA END DISPLAY SHELVES	SS
F204	WHISKY WALL FIXTURE	MW	F314	VINTAGES TROLLEY (3'-2" WIDE)	MW	F606	GONDOLA REMOVABLE P.O.P. FRAME	SS
F205	4'-0" WHISKY WALL FIXTURE	MW	F315	VINTAGES NEW RELEASE PLINTH (3'-2" WIDE)	MW	F606a	WALK-IN COLDROOM GONDOLA W/ ILLUMINATED P.O.P. FRAME	SS/GC/SV
F206	REFRIGERATION GABLE/FILLER PANEL	MW	F316	VINTAGES MAGAZINE HOLDER	MW	F607	WALK-IN COLDROOM GONDOLA CATEGORY SIGN	SS
F207	2'-0" PERIMETER METAL SHELVING UNIT C/W FASCIA PANEL & METAL TICKET MOULDINGS	*UPDATED* SS/GC/MW	F317	VINTAGES CATEGORY SIGN	MW	F608	WALK-IN COLDROOM CONVERTIBLE GONDOLA (4 SHELVES) C/W METAL TICKET MOULDINGS	*UPDATED* SS
F207a	2'-0" PERIMETER METAL SHELVING UNIT C/W FASCIA PANEL METAL TICKET MOULDINGS & METAL CROSS BRACING	*UPDATED* SS/GC/MW	F318	VINTAGES NESTING TABLES	MW	F609	2'-0" WALK-IN COLDROOM PERIMETER METAL SHELVING UNIT C/W FASCIA PANEL	*UPDATED* SS/GC
F208	TYPICAL P.O.P. FRAME DETAILS	MW	F319	FEATURE FIXTURE - 3 MODULE VERSION	GC/MW	F610	WALK-IN COLDROOM WALL FIXTURE METAL END GABLES	SS
F209	GENERAL RETAIL AREA SMALL BROCHURE HOLDER (RECESSED)	MW	F320	FEATURE FIXTURE - 2 MODULE VERSION	GC/MW	F611	WALK-IN COLDROOM PERIMETER SIGN BAND/WALLPAPER CHANNEL	SS
F210	2" x 2" x 32" METAL CORNER GUARD	MW	F321	FEATURE FIXTURE - SINGLE MODULE VERSION	GC/MW	F612	WALK-IN COLDROOM DOUBLE-SIDED COOLER SHELVING	*UPDATED* SS/GC
F211	U-SHAPED METAL CORNER (36" HIGH W/ 1 1/4" RETURNS)	MW	F322	VINTAGES TROLLEY (2'-8" WIDE)	MW	F613	WALK-IN COLDROOM HALF PALLET DISPLAY	SS
F212-F213	RESERVED		F323	VINTAGES TROLLEY CART END DISPLAY UNIT W/ CHALKBOARD (2'-8" WIDE)	MW	F614	WALK-IN COLDROOM DOUBLE-SIDED COOLER SHELVING MILLWORK FASCIA	MW
F214	PRODUCT RISER (TYPE A)	MW	F324	VINTAGES NEW RELEASE PLINTH - 2'-8" WIDE	MW	F615	WALK-IN COLDROOM 'CRAFT BEER' CANOPY & SIGN HOLDER	SS
F215	PRODUCT RISER (TYPE B)	MW	F325	VINTAGES CATEGORY SIGN W/ EXTENDED STEMS	MW	F616	GONDOLA END W/ REMOVABLE SQUARE LED ILLUMINATED SIGN BOX (S106-NIC)	SS/GC
F216	PRODUCT RISER AT POS COUNTER	*NEW* MW	F326	DOUBLE-SIDED GIFT/SPIRITS FIXTURE W/ U.V. PETG PANEL & GRAPHIC	SS/GC	F701	700 SPECIALTY/PROTOTYPE/ATYPICAL	
F217a	REUSABLE BAG HOLDER	*NEW* MW	F327	DOUBLE-SIDED GIFT/SPIRITS FIXTURE W/ U.V. PETG PANEL	SS/GC	F702	3-IN-1 SIT STAND STOOL	GC
F217b	WALL MOUNT GIFT PACKAGING FIXTURE W/ GIFT CARD HOLDER	*NEW* MW	F328	FEATURE FIXTURE - 3 MODULE VERSION (NO DIGITAL MEDIA)	MW	F703	TASTING BAR STOOL	GC
F218	RESERVED		F329	FEATURE FIXTURE - 2 MODULE VERSION (NO DIGITAL MEDIA)	MW	F704	KITCHEN/DEMO CHAIR (NIC - BY LCBO)	GC
F219	REMOVABLE GONDOLA P.O.P. FRAME	MW	F330	FEATURE FIXTURE - SINGLE MODULE VERSION (NO DIGITAL MEDIA)	MW	F704	TASTING ROOM CHAIR (NIC - BY LCBO)	GC
F220	RESERVED		F331	VINTAGES WHISKY WALL FEATURE	GC/MW	F705-F721	RESERVED	
F221	4'-0" GONDOLA (3 SHELVES) C/W METAL TICKET MOULDINGS	*UPDATED* SS	F332	VINTAGES TROLLEY/RELEASE PLINTH (2'-8" WIDE)	MW	F722	'CELEBRATION' FIXTURE W/ LED ILLUMINATION	GC/SS
F222	RESERVED		F333	4'-0" VINTAGES WHISKY WALL FEATURE	MW	F722a	'CELEBRATION' FIXTURE (NON-ILLUMINATED)	SS
F223	3'-0" GONDOLA (3 SHELVES) C/W METAL TICKET MOULDINGS	*UPDATED* SS	F334	VINTAGES NEW RELEASE PLINTH W/ SHELVES - 2'-8" WIDE	MW	F723	FREE-STANDING LOCKABLE PERIMETER WALL FIXTURE (ILLUMINATED)	MW
F224	2'-0" CONVERTIBLE GONDOLA (3 SHELVES) C/W METAL TICKET MOULDINGS	*UPDATED* SS	F335	VINTAGES TROLLEY/RELEASE PLINTH W/ SHELVES (2'-8" WIDE)	MW	F724-F764	RESERVED	
F225	2'-0" CONVERTIBLE GONDOLA (4 SHELVES) C/W METAL TICKET MOULDINGS	*UPDATED* SS	F336	VINTAGES TASTING BAR	GC/MW	F765	WAREHOUSE SHELF DETAIL	MW
F226	RESERVED		F337	VINTAGES REMOVABLE GONDOLA P.O.P. FRAME	MW	F766-768	RESERVED	
F227	4'-0" GONDOLA (4 SHELVES) C/W METAL TICKET MOULDINGS	*UPDATED* GC	F338	VINTAGES METAL PLINTH (16" DEEP)	SS	F769	WALK-IN COLDROOM FEATURE	SS/GC
F228	3'-0" GONDOLA (4 SHELVES) C/W METAL TICKET MOULDINGS	*UPDATED* GC	F339	VINTAGES 3-HIGH METAL GONDOLA END CAP PANEL	SS	F770	'PICK-UP' SERVICE COUNTER	MW
F229	GONDOLA CATEGORY SIGN	MW	F340	VINTAGES GONDOLA METAL END DISPLAY SHELVES	SS	F771-784	RESERVED	
F230	GONDOLA PROMO END	MW	F341	VINTAGES 4'-0" GONDOLA (3 SHELVES)	SS		800 OFFICE/SERVICES	
F231	28" GONDOLA END CATEGORY SIGN	MW	F342	VINTAGES 3'-0" GONDOLA (3 SHELVES)	SS	F801	OFFICE GLAZING	MW/GC
F232	4-HIGH GONDOLA CATEGORY SIGN	MW	F343	VINTAGES 2'-0" CONVERTIBLE GONDOLA (3 SHELVES)	SS	F802	TYPICAL OFFICE & WAINSCOTING DETAIL	MW
F233	FOOD & DRINK STAND	MW	F344	VINTAGES 4'-0" GONDOLA (4 SHELVES)	SS	F803	MANAGER'S OFFICE MILLWORK	MW
F234	A-FRAME FIXTURE	MW	F345	VINTAGES 3'-0" GONDOLA (4 SHELVES)	SS	F804	STAFF LUNCH ROOM MILLWORK W/ EYE WASH STATION	MW
F235	SPECIAL EVENTS STAND	MW	F346	VINTAGES 2'-0" CONVERTIBLE GONDOLA (4 SHELVES)	SS	F805	WASHROOM STORAGE CABINET	MW
F236	PORTABLE TASTING BAR	MW	F347	3-HIGH VINTAGES GONDOLA CATEGORY SIGN	MW	F806	JANITOR'S ROOM SHELVING UNIT	GC
F237	'IMPULSE' FIXTURE	MW	F348	4-HIGH VINTAGES GONDOLA CATEGORY SIGN	MW	F807	LICENSEE DESK	MW
F238	'DEAL OF THE WEEK' FIXTURE	*UPDATED* MW	F349	METAL GONDOLA END (NARROW) - VINTAGES	SS	F808	SPECIAL EVENTS COORDINATOR'S DESK	MW
F239	4'-0" SQUARE PROMO TABLE	MW	F350	3-HIGH 4'-0" METAL FLOOR GONDOLA (NARROW) - VINTAGES	SS	F809	GLASS-WASHING ROOM MILLWORK	MW
F240	3'-3" MARKETPLACE DISPLAY TABLE	MW	F351	3-HIGH 3'-0" METAL FLOOR GONDOLA (NARROW) - VINTAGES	SS	F810	PRINTER TABLE - DETAILS TO FOLLOW	MW
F241	NESTING TABLES	MW	F352	4-HIGH 4'-0" METAL FLOOR GONDOLA (NARROW) - VINTAGES	SS	F811	TRAINING ROOM MILLWORK	MW
F242	5'-0" NESTING TABLE	MW	F353	4-HIGH 3'-0" METAL FLOOR GONDOLA (NARROW) - VINTAGES	SS	F812	OFFICE DOOR W/ GLASS INSERT	MW/GC
F243	3'-0" DIA. ENTRANCE TABLE	F354	F354	2'-6" VINTAGES PERIMETER METAL SHELVING UNIT C/W FASCIA PANEL	SS/SS		S100 SIGNAGE/GRAPHICS	
F244	DOUBLE-SIDED GIFT/SPIRITS FIXTURE W/ METAL SHELVES (ILLUMINATED) (7'-6" H.)	*UPDATED* GC/SS	F355	3-HIGH 48" VINTAGES PERIMETER METAL SHELVING UNIT W/ WOOD TICKET MOULDING	SS	SI01	EXTERIOR DISPLAY BANNER (BANNER & HARDWARE SUPPLIED BY LCBO, INSTALLED BY GC)	GC
F245	RESERVED		F356	3-HIGH 36" VINTAGES PERIMETER METAL SHELVING UNIT W/ WOOD TICKET MOULDING	SS	SI02	SURFACE-MOUNTED 'SERVICE' SIGN	SV
F246	METAL PLINTH (TYPE A)	SS	F357	3-HIGH 24" VINTAGES PERIMETER METAL SHELVING UNIT W/ WOOD TICKET MOULDING	SS	SI03	SUSPENDED PLEXI-GLASS 'SERVICE' SIGN	SV
F247	GONDOLA METAL END CAP PANEL (54" HIGH)	SS	F358	1-MODULE VINTAGES PERIMETER LOCKABLE DISPLAY	GC/MW	SI03a	SUSPENDED ILLUMINATED ORDER PICK-UP SIGN	*NEW* SV
F248	GONDOLA METAL DISPLAY SHELVES (TYPE A)	SS	F359	2-MODULE VINTAGES PERIMETER LOCKABLE DISPLAY	GC/MW	SI03b	SUSPENDED NON-ILLUMINATED ORDER PICK-UP SIGN	*NEW* SV
F249	GIFT PACKAGING FIXTURE	MW	F360	3-MODULE VINTAGES PERIMETER LOCKABLE DISPLAY	GC/MW	SI04	SUSPENDED PLEXI-GLASS 'VINTAGES' SIGN	SV
F250	METAL PLINTH W/ METAL TICKET MOULDING (TYPE B)	SS	F361	VINTAGES THE UNIT W/ TRANSPARENCY BOX ABOVE	GC	SI05	SUSPENDED PLEXI-GLASS 'LET'S GET TOGETHER' SIGN	SV
F251	GONDOLA END METAL DISPLAY SHELVES W/ METAL TICKET MOULDING (TYPE B)	*UPDATED* SS	F362	VINTAGES 4-HIGH METAL GONDOLA END CAP PANEL	SS	SI06	SQUARE LED ILLUMINATED SIGN BOX	SV/GC
F252	4'-0" PERIMETER METAL SHELVING UNIT C/W FASCIA PANEL & METAL TICKET MOULDINGS (7'-10" H.)	*UPDATED* SS/GC/MW	F363	VINTAGES DOUBLE-SIDED FIXTURE W/ FRONT LED CANOPY ILLUMINATION	*NEW* SS	SI06L	SQUARE LED ILLUMINATED SIGN BOX W/ EXTENDED STANDOFF	SV
F253	3'-0" PERIMETER METAL SHELVING UNIT C/W FASCIA PANEL & METAL TICKET MOULDINGS (7'-10" H.)	*UPDATED* SS/GC/MW	F364	VINTAGES DOUBLE-SIDED FIXTURE W/ FRONT & BACK LED CANOPY ILLUMINATION	*NEW* SS	SI07	RECTANGULAR LED ILLUMINATED SIGN BOX	SV
F254	PERIMETER SHELVING GABLE/FILLER PANEL (7'-10" H.)	MW	F365	VINTAGES BAFFLE CEILING DETAIL	*OLD # F363 - RENUMBERED* GC	SI07L	RECTANGULAR LED ILLUMINATED SIGN BOX W/ EXTENDED STANDOFF	SV
F255	WHISKY WALL FIXTURE (7'-10" H.)	MW		400 OUR WINE COUNTRY ONTARIO		SI08	RESERVED	
F256	4'-0" WHISKY WALL FIXTURE (7'-10" H.)	MW	F400	OUR WINE COUNTRY ONTARIO SUPPLEMENTAL FINISHES SCHEDULE		SI09	SUSPENDED PLEXI-GLASS 'KOSHER' SIGN	SV
F257	2'-0" PERIMETER METAL SHELVING UNIT C/W FASCIA PANEL & METAL TICKET MOULDINGS (7'-10" H.)	*UPDATED* SS/GC/MW	F401	OUR WINE COUNTRY ONTARIO 4'-0" PERIMETER METAL SHELVING	SS/MW	SI10	SUSPENDED PLEXI-GLASS 'TASTING' SIGN	SV
F257a	2'-0" PERIMETER METAL SHELVING UNIT C/W FASCIA PANEL METAL TICKET MOULDINGS & METAL CROSS BRACING (7'-10" H.)	*UPDATED* SS/GC/MW	F402	OUR WINE COUNTRY ONTARIO 3'-0" PERIMETER METAL SHELVING	SS/MW	SI11	RESERVED	
F258	RESERVED		F403	OUR WINE COUNTRY ONTARIO GABLE/FILLER PANEL	MW	SI12	SURFACE-MOUNTED 4'-0" x 4'-0" ILLUMINATED SIGN BOX	SV
F259	METAL PLINTH (16" DEEP)	*UPDATED* SS	F404	OUR WINE COUNTRY ONTARIO ICEWINE/WINE FEATURE	MW	SI12L	STEM-MOUNTED 4'-0" x 4'-0" ILLUMINATED SIGN BOX	SV
F260	DOUBLE-SIDED GIFT/SPIRITS FIXTURE W/ METAL SHELVES (ILLUMINATED) (7'-6" H.)	SS	F405	RESERVED	SS	SI13	SURFACE-MOUNTED RECTANGULAR ILLUMINATED SIGN BOX	SV
F261	METAL GONDOLA PROMO END	SS	F406	OUR WINE COUNTRY ONTARIO PERIMETER METAL CATEGORY SIGN	SS	SI13L	STEM-MOUNTED RECTANGULAR ILLUMINATED SIGN BOX	SV
F262	DOUBLE-SIDED GIFT/SPIRITS FIXTURE W/ METAL SHELVES (ILLUMINATED) (7'-10" H.)	*UPDATED* GC/SS	F407	OUR WINE COUNTRY ONTARIO LED MONITOR W/ STORAGE CUPBOARD	MW	SI14	DOUBLE-SIDED ILLUMINATED TRANSPARENCY BOX	SV
F263	MILLWORK ENCLOSURES AROUND BASE-BLDG COLUMNS AT GONDOLAS	MW	F408	OUR WINE COUNTRY ONTARIO 4'-0" METAL FLOOR GONDOLA (3-HIGH)	SS/MW	SI15	2-SIDED EXTERIOR BLADE SIGN (INTERNALLY ILLUMINATED)	SV
F263a	MILLWORK ENCLOSURES AROUND BASE-BLDG COLUMNS AT GONDOLAS-SITE CONDITION	*NEW* MW	F409	OUR WINE COUNTRY ONTARIO 3'-0" METAL FLOOR GONDOLA (3-HIGH)	SS/MW	SI16	SUSPENDED LED ILLUMINATED PLEXI-GLASS 'SERVICE' SIGN	SV
F264	RESERVED		F410	OUR WINE COUNTRY ONTARIO 2'-0" GONDOLA ENDS (3-HIGH)	MW	SI17	SUSPENDED LED ILLUMINATED PLEXI-GLASS 'LET'S GET TOGETHER' SIGN	SV
F265	DOUBLE-SIDED GIFT/SPIRITS FIXTURE W/ U.V. PETG PANEL & GRAPHIC (7'-6" H.)	GC/SS	F411	OUR WINE COUNTRY ONTARIO GONDOLA CATEGORY SIGN	SS	SI18	DOUBLE-SIDED NON-ILLUMINATED 'VINTAGES' BLADE SIGN	SV
F266	DOUBLE-SIDED GIFT/SPIRITS FIXTURE W/ U.V. PETG PANEL (7'-6" H.)	GC/SS	F412	OUR WINE COUNTRY ONTARIO 25" x 48.5" METAL P.O.P. FRAME	SS	SI19	DOUBLE-SIDED ILLUMINATED 'VINTAGES' BLADE SIGN	SV
F267	PERIMETER COLUMN FEATURE (HALF)	MW	F413	OUR WINE COUNTRY ONTARIO 25" x 25" METAL P.O.P. FRAME	SS	SI20	SUSPENDED PLEXI-GLASS 'SERVICE' SIGN	SV
F268	1-MODULE GENERAL LIST PERIMETER LOCKABLE DISPLAY (7'-6" H.)	MW	F414	OUR WINE COUNTRY ONTARIO GONDOLA METAL BROCHURE HOLDER	SS		R100 REFRIGERATION	
F269	2-MODULE GENERAL LIST PERIMETER LOCKABLE DISPLAY (7'-6" H.)	MW	F415	OUR WINE COUNTRY ONTARIO 6'-0" TASTING BAR	GC/MW	R101-R103	RESERVED	
F270	3-MODULE GENERAL LIST PERIMETER LOCKABLE DISPLAY (7'-6" H.)	MW	F416	OUR WINE COUNTRY ONTARIO 5'-0" TASTING BAR	MW	R104	PERIMETER WINE REFRIGERATION C/W CONTINUOUS P. LAM. FASCIA PANEL & COOLER DOORS (IN GENERAL PURCHASE AREA)	GC/SS/MW
F271	3-HIGH 48" PERIMETER METAL SHELVING UNIT W/ WOOD TICKET MOULDING	*UPDATED* SS	F417	OUR WINE COUNTRY ONTARIO 6'-0" HARVEST TABLE	MW	R105	PERIMETER WINE REFRIGERATION C/W CONTINUOUS METAL FASCIA PANEL & COOLER DOORS (WITHIN BEER ALCOVE)	*UPDATED* GC/SS/MW
F272	3-HIGH 36" PERIMETER METAL SHELVING UNIT W/ WOOD TICKET MOULDING	*UPDATED* SS	F418	OUR WINE COUNTRY ONTARIO 5'-0" HARVEST TABLE	MW	R106	PERIMETER BEER REFRIGERATION C/W CONTINUOUS METAL FASCIA PANEL & COOLER DOORS	*UPDATED* GC/

NOTES
 -SEE FLOOR PLAN FOR LAYOUT
 -LCBO TO CONFIRM CART SIZE & QUANTITY TO ENSURE PROPER FIT INSIDE CORRAL

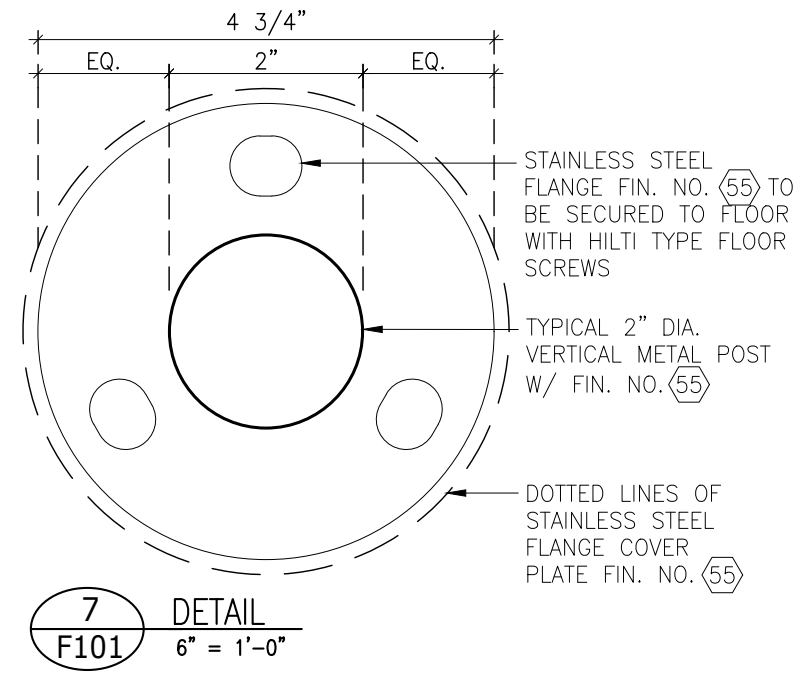
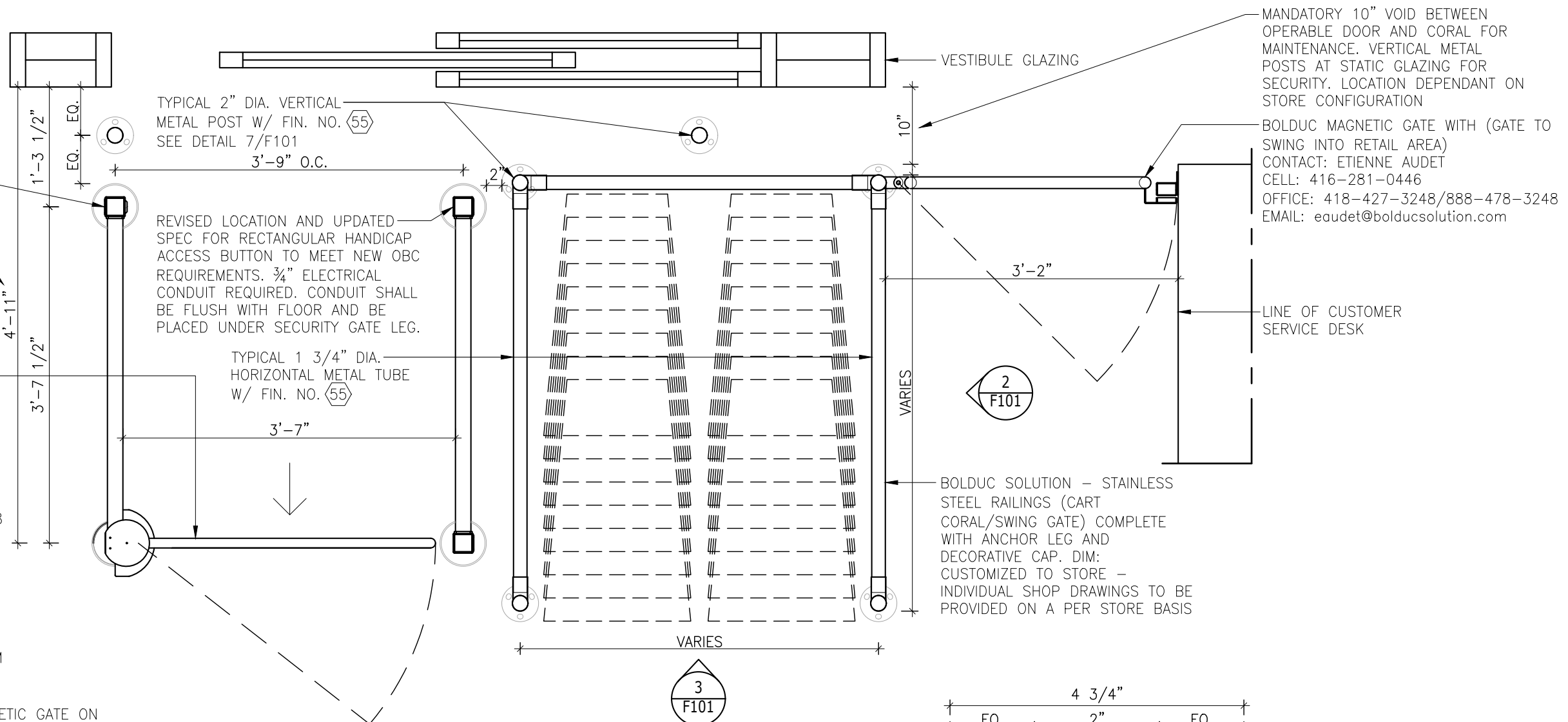
EXISTING LOCATION OF 3/4" ELECTRICAL CONDUIT FOR GATE CONTROL BOX

MINIMUM DISTANCE BETWEEN DOOR THRESHOLD AND GATE = 4'-11" IN COMPLIANCE W/OBC REQUIREMENTS

BOLDUC SOLUTIONS:
 ST. STEEL SECURITY GATE SYSTEM, 1 ARM; MODEL: BMS-5M42-45, WITH OPTIONS EMERGENCY HANDICAP ACCESSIBILITY BUTTON, WRONG WAY DETECTION SYSTEM; 42"D. x 45" W.
 CONTACT: ETIENNE AUDET
 CELL: 416-281-0446
 OFFICE: 418-427-3248/888-478-3248
 EMAIL: eaudet@bolducsolution.com
 SUPPLIED AND INSTALLED BY G.C. PROVIDE TO FREESTANDING ST. STEEL POSTS AS SHOWN
 ENSURE OPTIONS ARE INCLUDED: EMERGENCY BUTTON, PROTECTIVE RUBBER PADS, HANDICAP ACCESSIBILITY BUTTON, WRONG WAY DETECTION SYSTEM

BOLDUC SOLUTIONS:
 ST. STEEL RAILINGS (CART CORAL/MAGNETIC GATE ON MILLWORK) COMPLETE W/ ANCHOR LEG & DECORATIVE CAP.
 DIM: CUSTOMIZED TO STORE SHOP DRAWINGS TO BE PROVIDED FOR APPROVAL.

1 PLAN (TYPICAL)
 3/4" = 1'-0"



7 DETAIL
 6" = 1'-0"

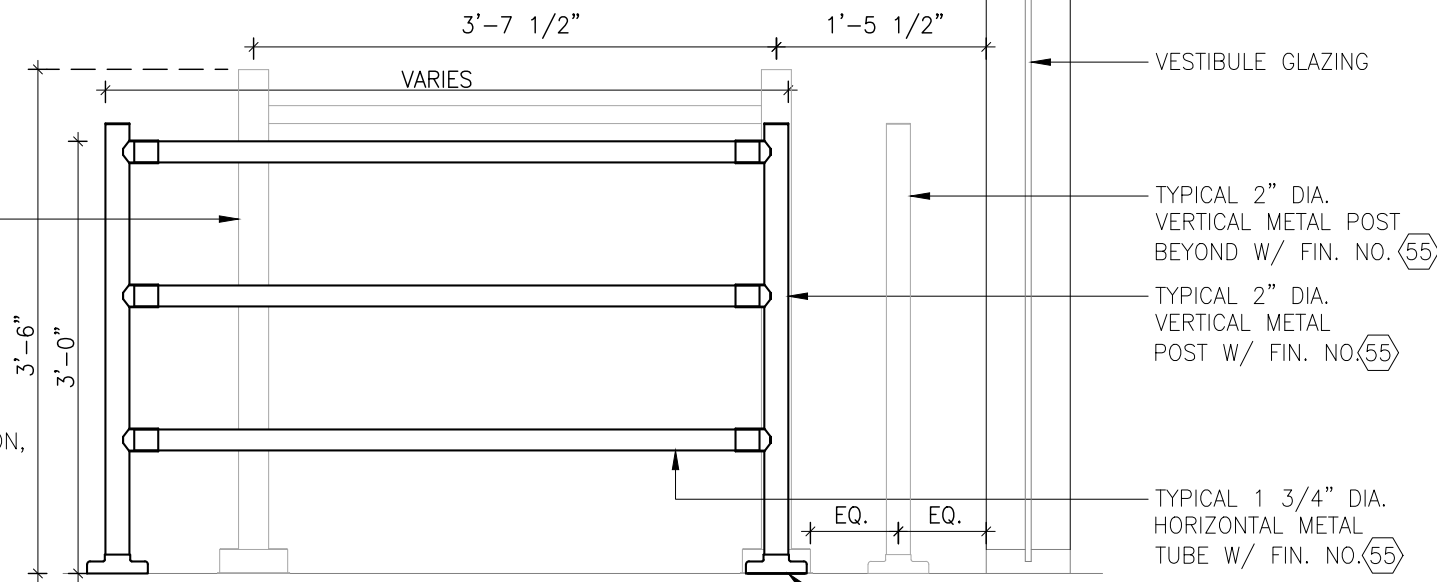
MANDATORY 10" VOID BETWEEN OPERABLE DOOR AND CORAL FOR MAINTENANCE. VERTICAL METAL POSTS AT STATIC GLAZING FOR SECURITY. LOCATION DEPENDANT ON STORE CONFIGURATION
 BOLDUC MAGNETIC GATE WITH (GATE TO SWING INTO RETAIL AREA)
 CONTACT: ETIENNE AUDET
 CELL: 416-281-0446
 OFFICE: 418-427-3248/888-478-3248
 EMAIL: eaudet@bolducsolution.com

LINE OF CUSTOMER SERVICE DESK

BOLDUC SOLUTION - STAINLESS STEEL RAILINGS (CART CORAL/SWING GATE) COMPLETE WITH ANCHOR LEG AND DECORATIVE CAP. DIM: CUSTOMIZED TO STORE - INDIVIDUAL SHOP DRAWINGS TO BE PROVIDED ON A PER STORE BASIS

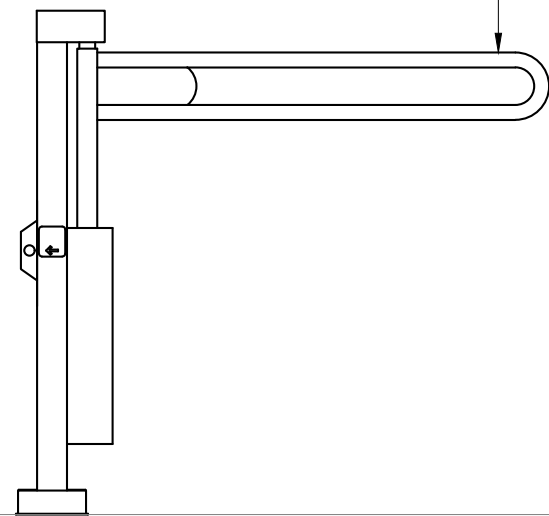
LCBO	100 CHECK-OUT AREA/VESTIBULE	REVISION DATE	REV.	1 of 2	ISSUE DATE	STORE TYPE	STORE #
	CART CORRAL	2021 MAR	17	F101	2021 APR		

BOLDUC SOLUTION -
 STAINLESS STEEL SECURITY GATE SYSTEM BEYOND
 MODEL: BMS-5M42-45 (SINGLE SWING ARM ONLY)
 DIM: 42" DEEP X 45" WIDE
 CONTACT: ETIENNE AUDET
 CELL: 416-281-0446
 OFFICE: 418-427-3248/888-478-3248
 EMAIL: eaudet@bolducsolution.com
 ENSURE OPTIONS ARE INCLUDED: EMERGENCY BUTTON,
 PROTECTIVE RUBBER PADS, HANDICAP ACCESSIBILITY
 BUTTON, WRONG WAY DETECTION SYSTEM

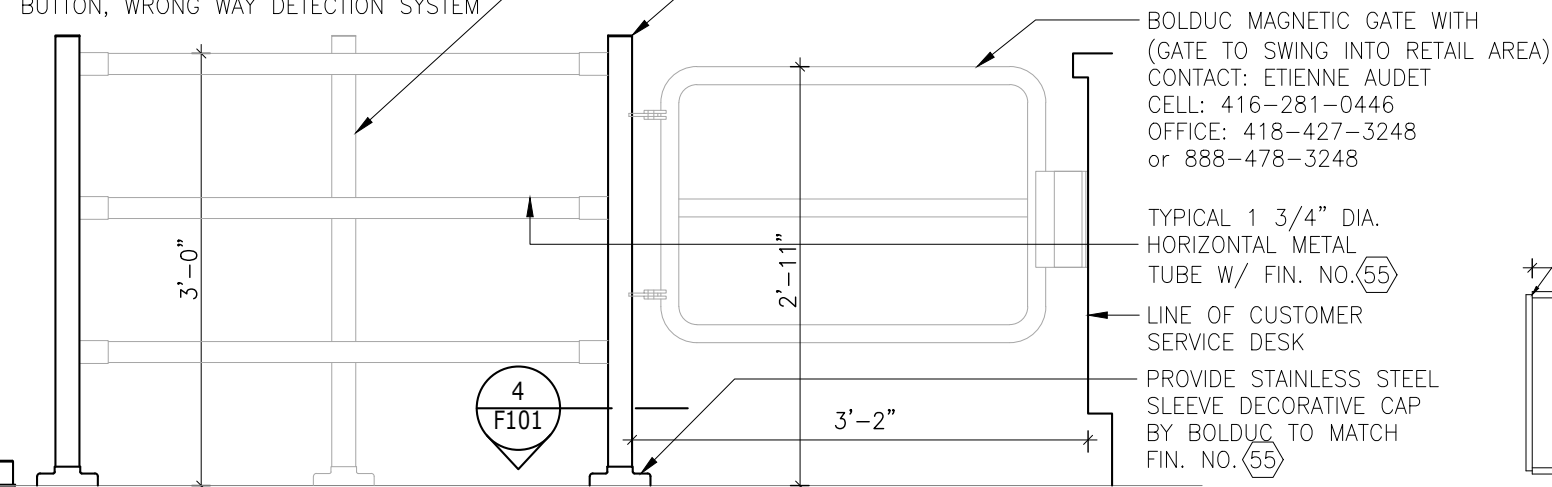


2 SECTION
 F101 3/4" = 1'-0"

BOLDUC SOLUTION -
 STAINLESS STEEL SECURITY GATE SYSTEM
 MODEL: BMS-5M42-45 (SINGLE SWING ARM ONLY)
 DIM: 42" DEEP X 45" WIDE
 CONTACT: ETIENNE AUDET
 CELL: 416-281-0446
 OFFICE: 418-427-3248/888-478-3248
 EMAIL: eaudet@bolducsolution.com
 ENSURE OPTIONS ARE INCLUDED:
 EMERGENCY BUTTON, PROTECTIVE
 RUBBER PADS, HANDICAP ACCESSIBILITY
 BUTTON, WRONG WAY DETECTION SYSTEM



3 FRONT ELEVATION
 F101 3/4" = 1'-0"



4 F101

VESTIBULE GLAZING

TYPICAL 2" DIA. VERTICAL METAL POST BEYOND W/ FIN. NO. 55

TYPICAL 2" DIA. VERTICAL METAL POST W/ FIN. NO. 55

TYPICAL 1 3/4" DIA. HORIZONTAL METAL TUBE W/ FIN. NO. 55

PROVIDE STAINLESS STEEL SLEEVE DECORATIVE CAP BY BOLDUC TO MATCH FIN. NO. 55

TYPICAL 2" DIA. VERTICAL METAL POST BEYOND W/ FIN. NO. 55

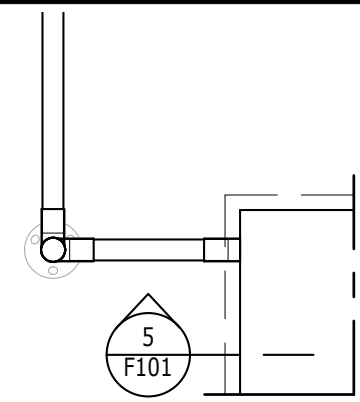
TYPICAL 2" DIA. VERTICAL METAL POST W/ FIN. NO. 55

BOLDUC MAGNETIC GATE WITH (GATE TO SWING INTO RETAIL AREA) CONTACT: ETIENNE AUDET CELL: 416-281-0446 OFFICE: 418-427-3248 or 888-478-3248

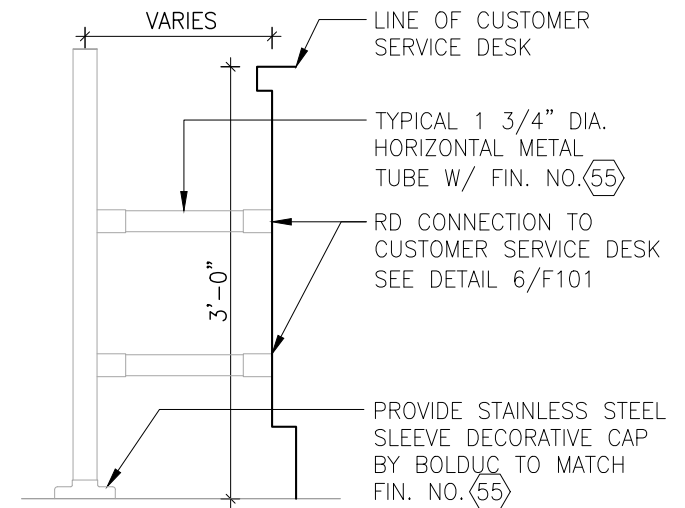
TYPICAL 1 3/4" DIA. HORIZONTAL METAL TUBE W/ FIN. NO. 55

LINE OF CUSTOMER SERVICE DESK

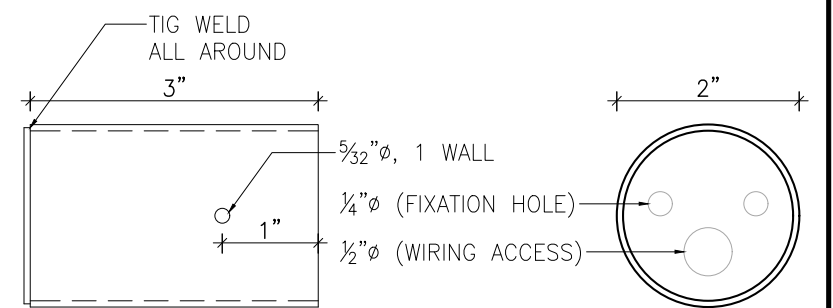
PROVIDE STAINLESS STEEL SLEEVE DECORATIVE CAP BY BOLDUC TO MATCH FIN. NO. 55



4 PARTIAL PLAN (CS DESK CONNECTION)
 F101 3/4" = 1'-0"

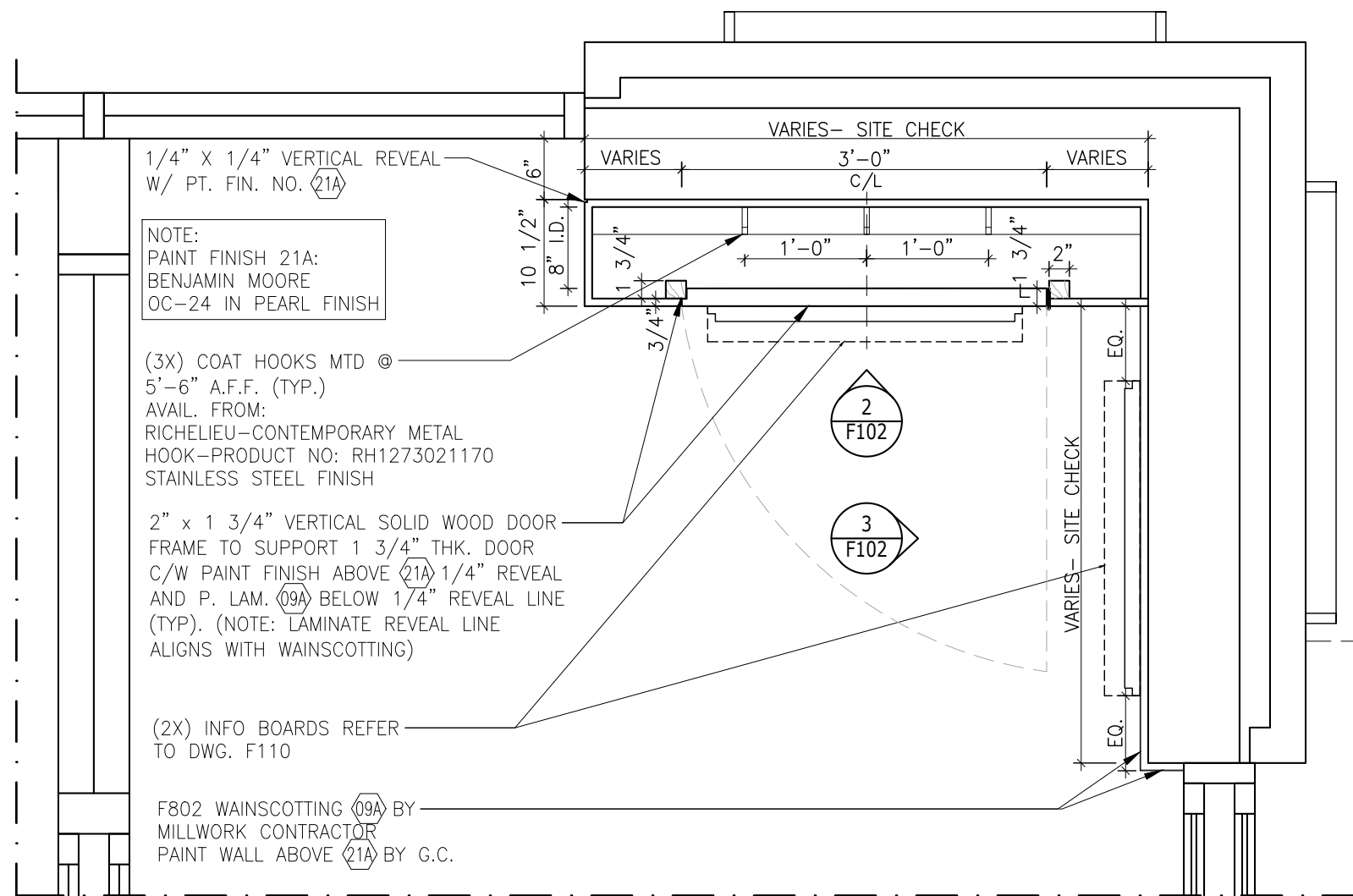


5 ELEVATION (CS DESK CONNECTION)
 F101 3/4" = 1'-0"

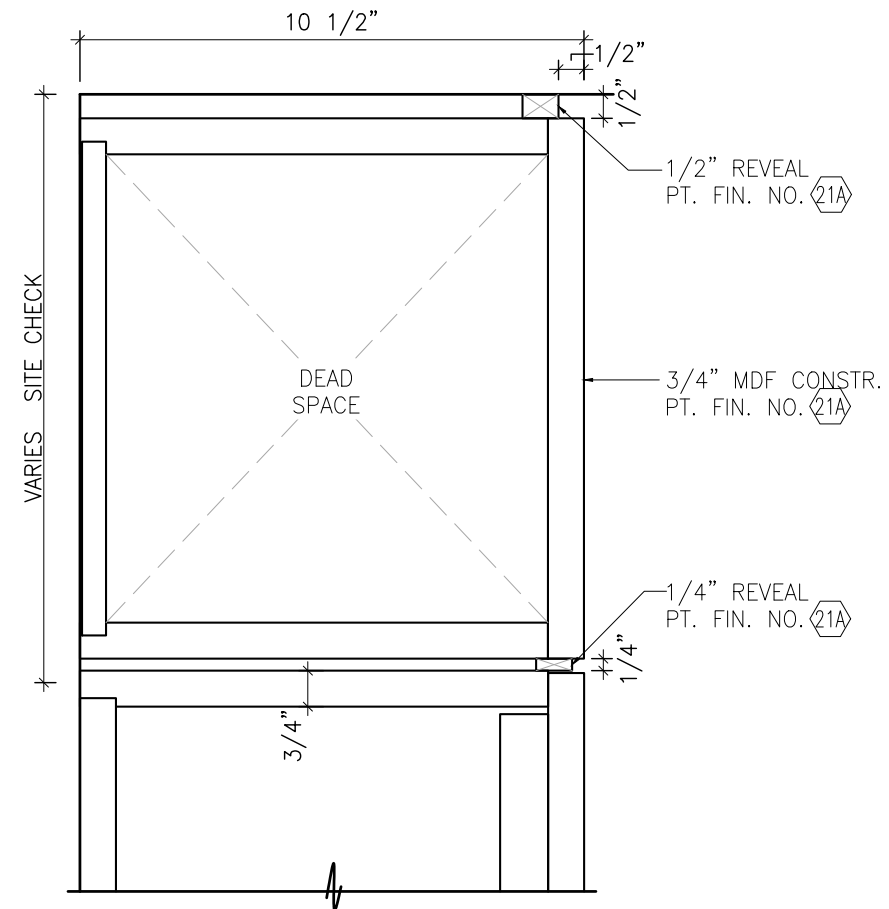


6 RD CONNECTION DETAIL
 F101 6" = 1'-0"

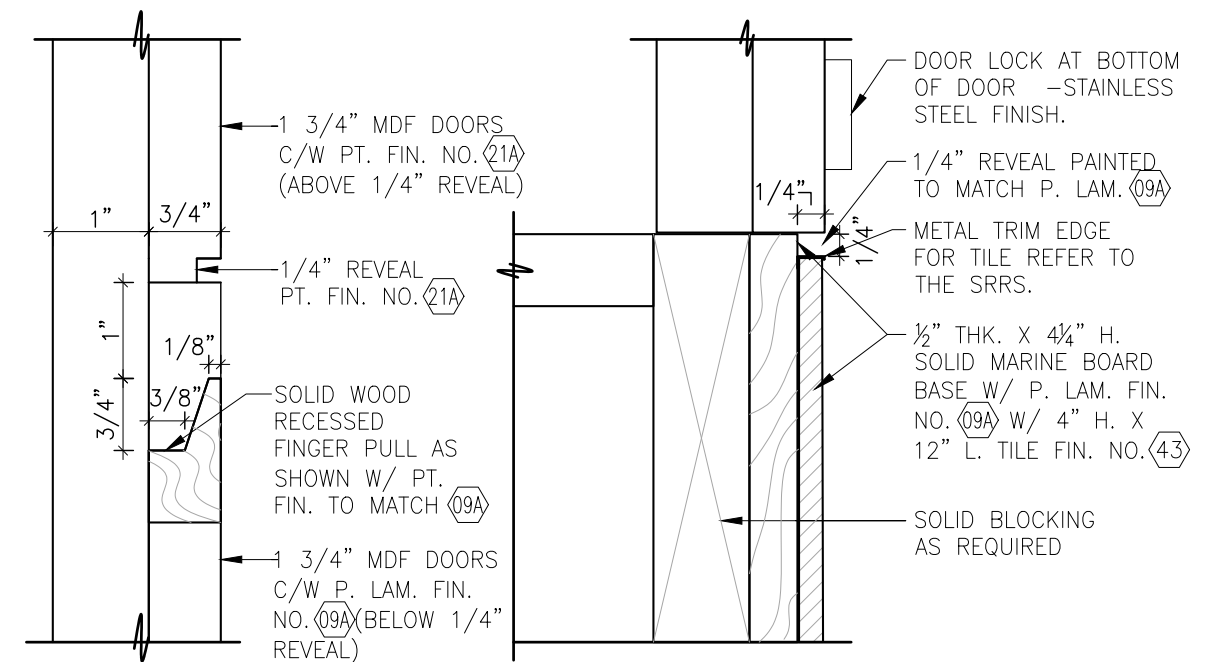
LCBO	100 CHECK-OUT AREA/VESTIBULE	REVISION DATE	REV.	2 of 2	ISSUE DATE	STORE TYPE	STORE #
	CART CORRAL	2021 MAR	17	F101	2021 APR		



1 PLAN/ SECTION
F102 3/4" = 1'-0"



4 DETAIL
F102 3" = 1'-0"



5 DETAIL
F102 6" = 1'-0"

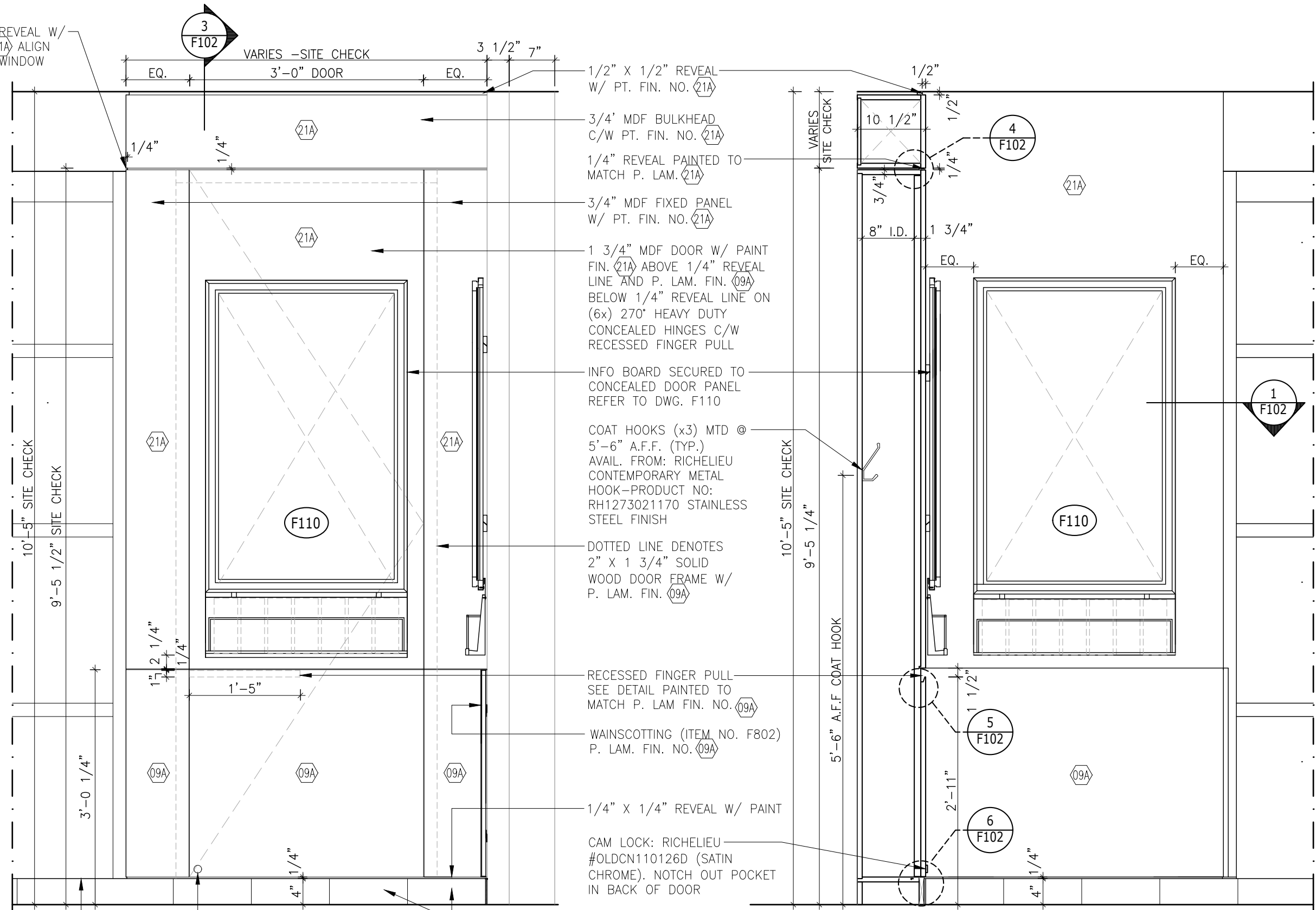
6 DETAIL
F102 6" = 1'-0"

LCBO

100 CHECK-OUT AREA/VESTIBULE
 VESTIBULE COAT STORAGE

REVISION DATE	REV.	1 OF 2	ISSUE DATE	STORE TYPE	STORE #
2021 MAR	17	F102	2021 APR		

1/4" X 1/4" REVEAL W/
PT. FIN. NO. 21A ALIGN
WITH TOP OF WINDOW



- 1/2" X 1/2" REVEAL W/ PT. FIN. NO. 21A
- 3/4" MDF BULKHEAD C/W PT. FIN. NO. 21A
- 1/4" REVEAL PAINTED TO MATCH P. LAM. 21A
- 3/4" MDF FIXED PANEL W/ PT. FIN. NO. 21A
- 1 3/4" MDF DOOR W/ PAINT FIN. 21A ABOVE 1/4" REVEAL LINE AND P. LAM. FIN. 09A BELOW 1/4" REVEAL LINE ON (6x) 270° HEAVY DUTY CONCEALED HINGES C/W RECESSED FINGER PULL
- INFO BOARD SECURED TO CONCEALED DOOR PANEL REFER TO DWG. F110
- COAT HOOKS (x3) MTD @ 5'-6" A.F.F. (TYP.) AVAIL. FROM: RICHELIEU CONTEMPORARY METAL HOOK-PRODUCT NO: RH1273021170 STAINLESS STEEL FINISH
- DOTTED LINE DENOTES 2" X 1 3/4" SOLID WOOD DOOR FRAME W/ P. LAM. FIN. 09A
- RECESSED FINGER PULL SEE DETAIL PAINTED TO MATCH P. LAM FIN. NO. 09A
- WAINSCOTTING (ITEM NO. F802) P. LAM. FIN. NO. 09A
- 1/4" X 1/4" REVEAL W/ PAINT
- CAM LOCK: RICHELIEU #OLDCN110126D (SATIN CHROME). NOTCH OUT POCKET IN BACK OF DOOR
- 3/4" X 4 1/4" MARINE PLYWOOD BASE CONSTRUCTION C/W 4"H. x 12"L. FLOOR TILE FIN. NO. 43

METAL TRIM ON TILE BASE. REFER TO THE SRRS FOR SPECIFICATION

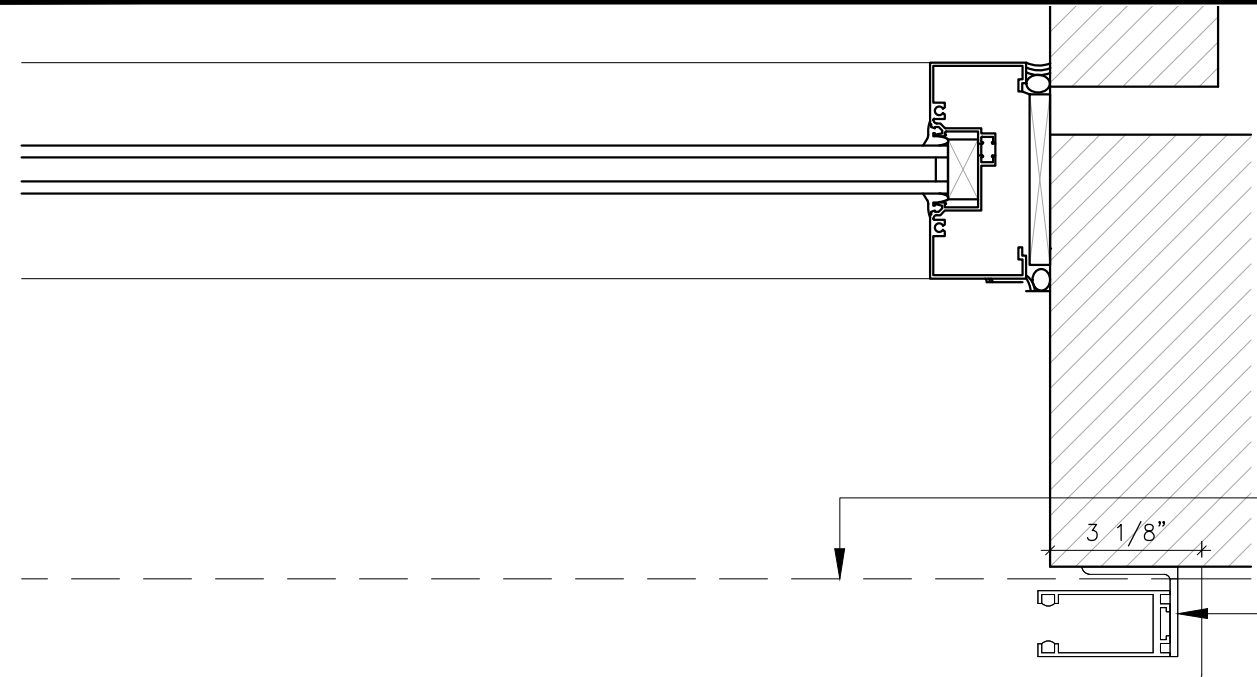
CAM LOCK: RICHELIEU #OLDCN110126D (SATIN CHROME). NOTCH OUT POCKET IN BACK OF DOOR

NOTE:
PAINT FINISH 21A:
BENJAMIN MOORE
OC-24 IN PEARL FINISH

2 ELEVATION/SECTION
F102 3/4" = 1'-0"

3 SECTION
F102 3/4" = 1'-0"

LCBO	100 CHECK-OUT AREA/VESTIBULE	REVISION DATE	REV.	ISSUE DATE	STORE TYPE	STORE #
	VESTIBULE COAT STORAGE	2021 MAR	17	2021 APR	F102	



NOTE:
MILLWORK CONTRACTOR TO
MINIMIZE NUMBER OF SEAMS
IN SILL AND ALIGN ANY
NECESSARY SEAMS W/
WINDOW MULLIONS

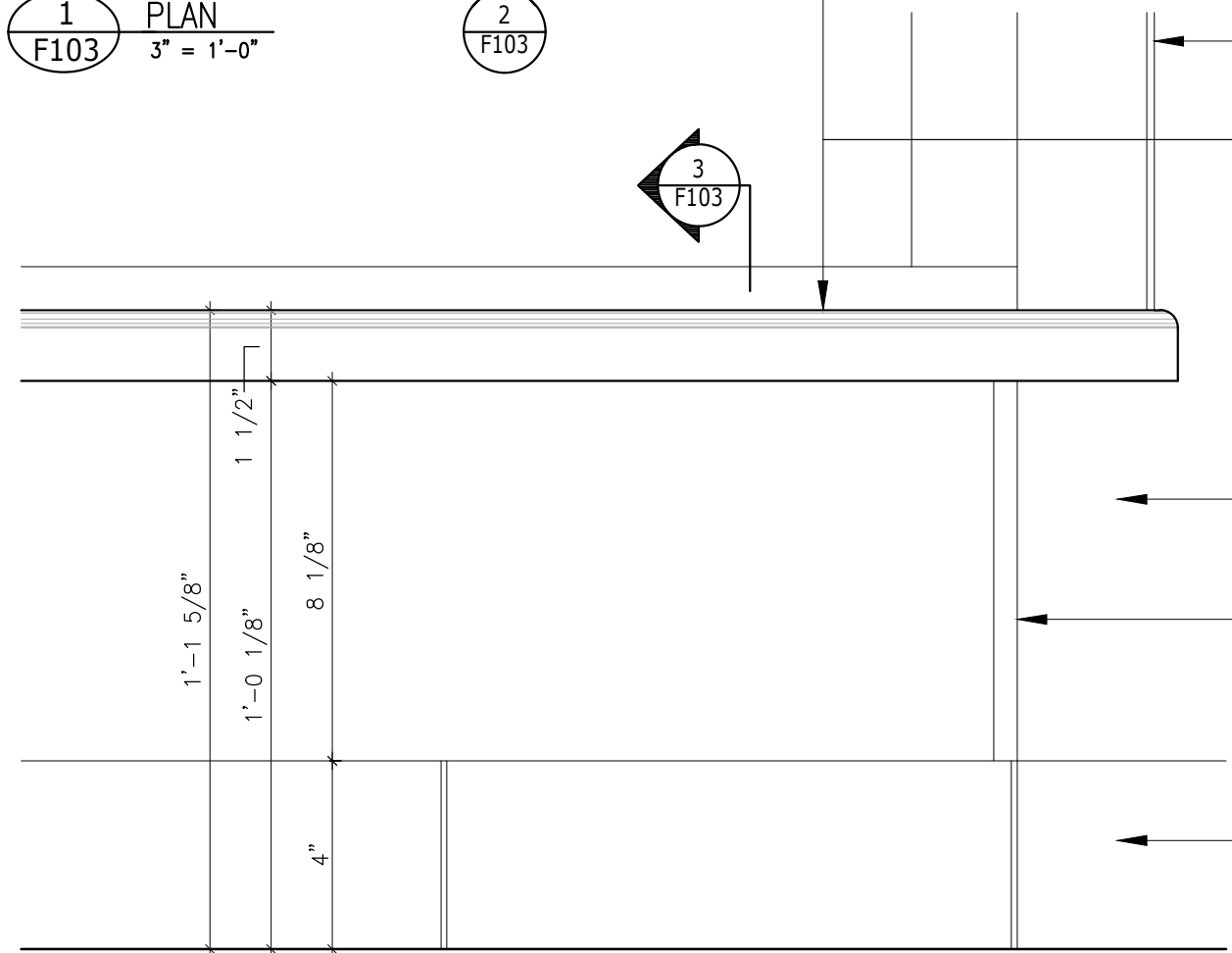
DOTTED LINE OF 4" H. x
12" W. TILE BASE BEYOND

SECURITY SHUTTER
GUIDE

1 PLAN
F103 3" = 1'-0"

2
F103

3
F103



SECURITY SHUTTER
GUIDE

P. LAM. SILL C/W
POST-FORMED EDGE
FIN. NO. 05

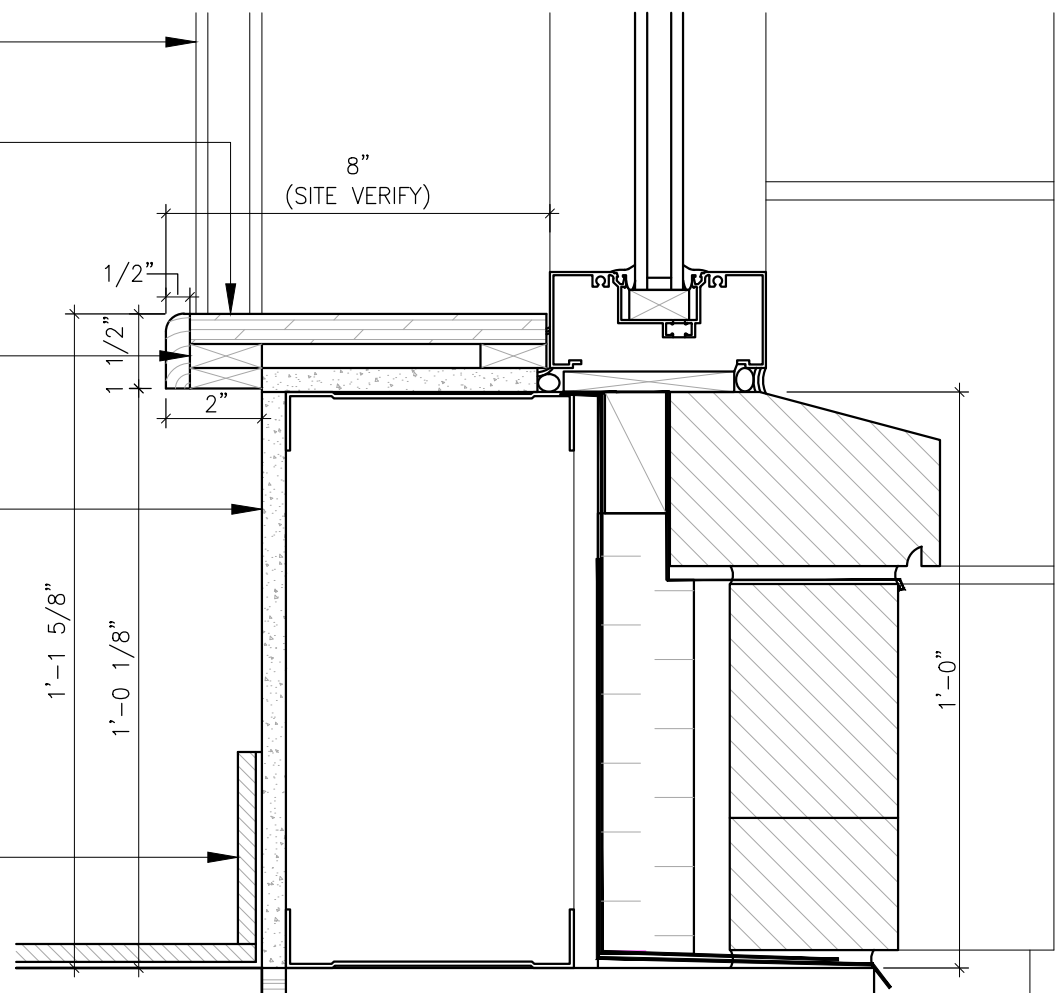
PROVIDE WOOD
STRAPPING UNDER
SILL FOR VENTILATION

DRYWALL
PT. FIN. NO. 20A

CONTROL/EXPANSION
JOINT (FLOOR TO CEILING)

4" HIGH x 12" WIDE
TILE BASE 42

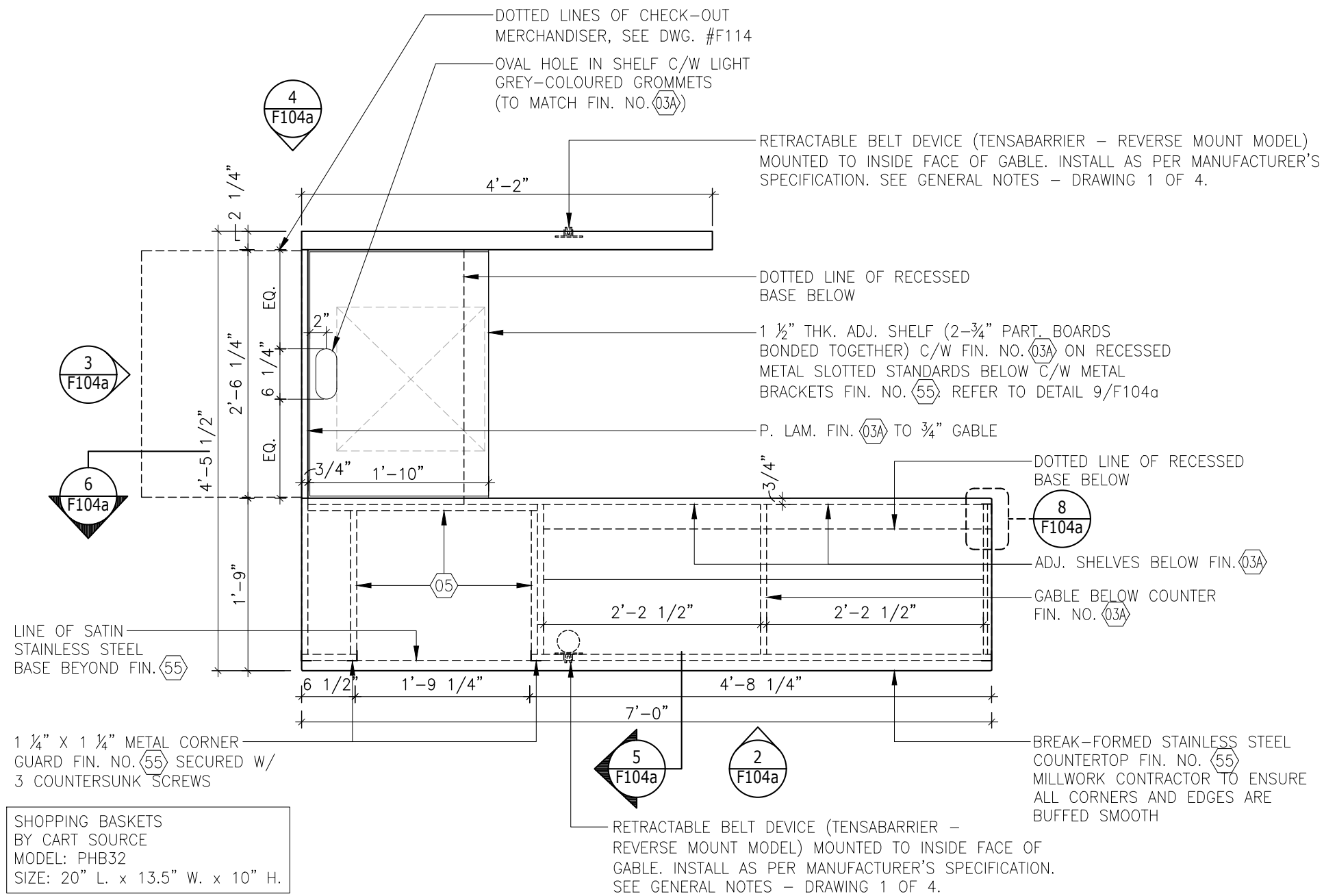
2 ELEVATION
F103 3" = 1'-0"



8"
(SITE VERIFY)

3 SECTION
F103 3" = 1'-0"

LCBO	100 CHECK-OUT AREA/VESTIBULE	REVISION DATE	REV.	1 of 1	ISSUE DATE	STORE TYPE	STORE #
	WINDOW SILL DETAIL	2021 MAR	17	F103	2021 APR		

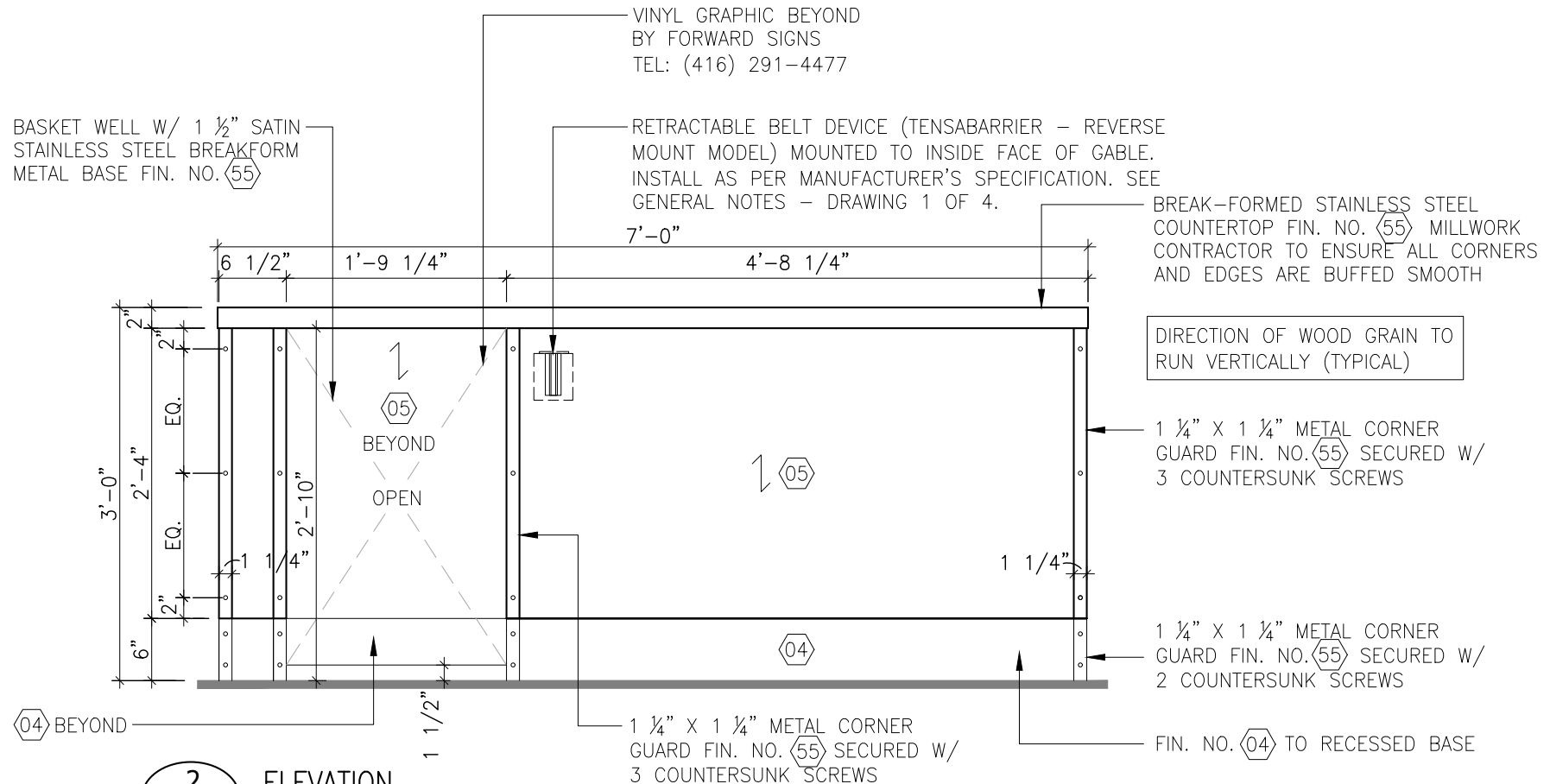


GENERAL NOTES:

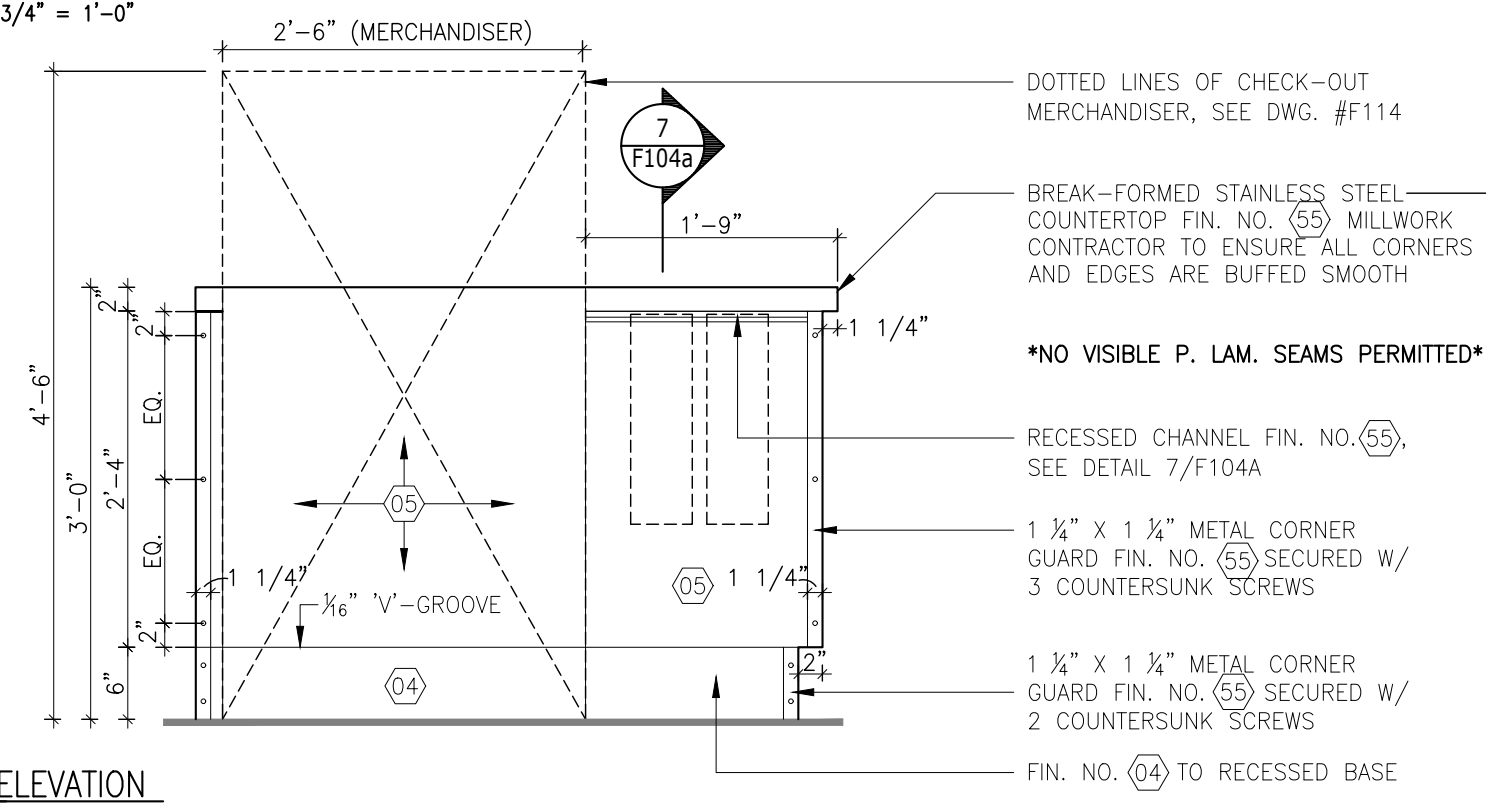
- BASE & STRUCTURAL COMPONENTS TO BE 3/4" PLYWOOD CONSTRUCTION WITH DESIGNATED FINISH.
- DRAWERS TO BE CONSTRUCTED OF SOLID 1/2" BALTIC BIRCH W/ CLEAR LACQUER FINISH.
- ALL OTHER CONSTRUCTION TO BE 3/4" PARTICLE BOARD WITH DESIGNATED FINISH UNLESS NOTED OTHERWISE.
- ALL EDGES & CORNERS OF SATIN STAINLESS STEEL COUNTERTOP TO BE WELDED AND BUFFED SMOOTH.
- ALL SCREWS IN METAL CORNER GUARDS TO MATCH FINISH OF CORNER GUARD/TRIM AND BE COUNTERSUNK. ALL SHARP EDGES TO BE MADE SMOOTH TO ENSURE SAFETY OF CUSTOMERS AND STAFF.
- MILLWORK CONTRACTOR TO SUPPLY AND INSTALL TENSABARRIER DEVICE AT SIDE OF CASH/CHECK OUT DESK. MILLWORK CONTRACTOR TO SUPPLY AND INSTALL TENSABARRIER AS PER MANUFACTURERS SPECIFICATIONS AND LCBO SPECIFICATION - 10 90 00. MILLWORK CONTRACTOR TO PROVIDE CUT OUT AT GABLE AND MOUNT HARDWARE AS PER SPECIFICATIONS. MILLWORK CONTRACTOR WILL ASSUME RESPONSIBILITY FOR CUT OUT SIZE AND LOCATION. MILLWORK CONTRACTOR TO INDICATE PROPOSED DETAILS/CUT OUT LOCATION ON SHOP DRAWING SUBMITTAL FOR FINAL APPROVAL PRIOR TO FABRICATION
- NO VISIBLE P. LAM. SEAMS PERMITTED.

1 PLAN
F104a 3/4" = 1'-0"

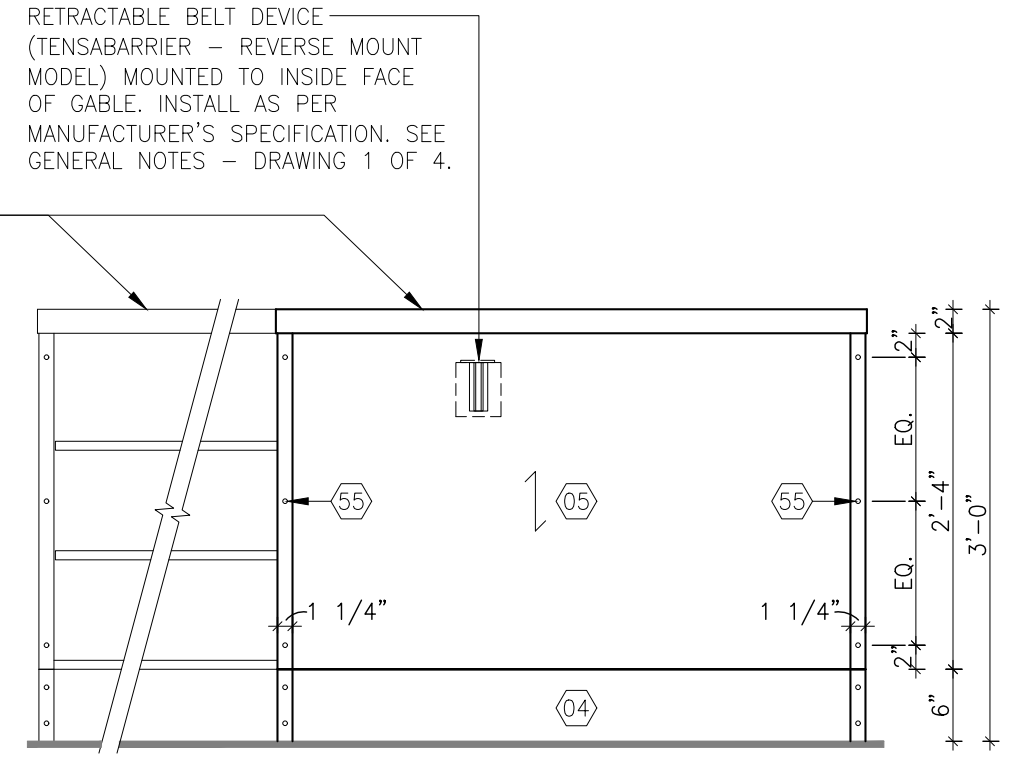
LCBO	100 CHECK-OUT AREA/VESTIBULE	REVISION DATE	REV.	1 OF 4	ISSUE DATE	STORE TYPE	STORE #
	CASH/CHECK-OUT DESK W/ BASKET WELL	2021 MAR	17	F104a	2021 APR		



2 ELEVATION
F104a 3/4" = 1'-0"

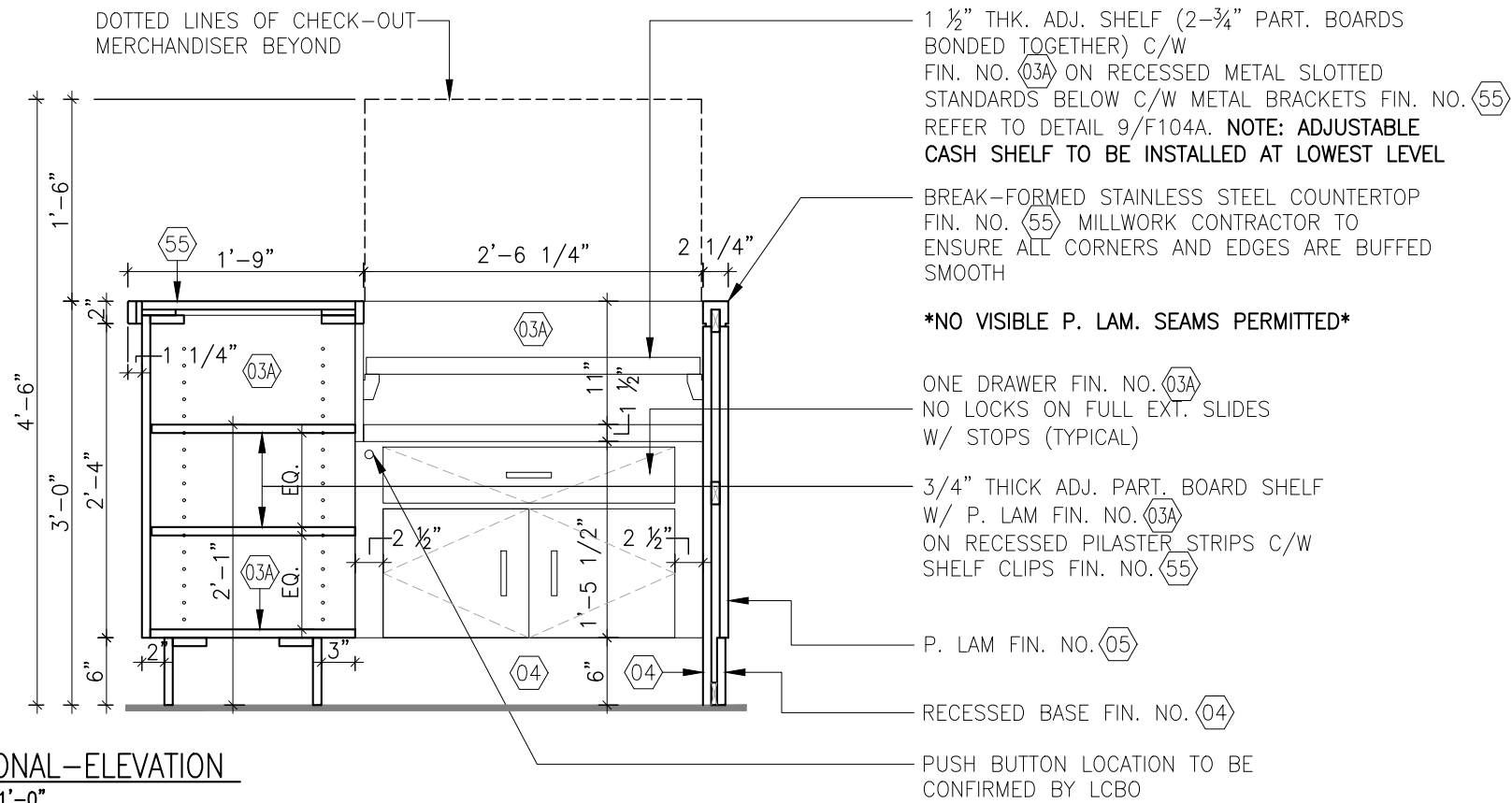


3 ELEVATION
F104a 3/4" = 1'-0"

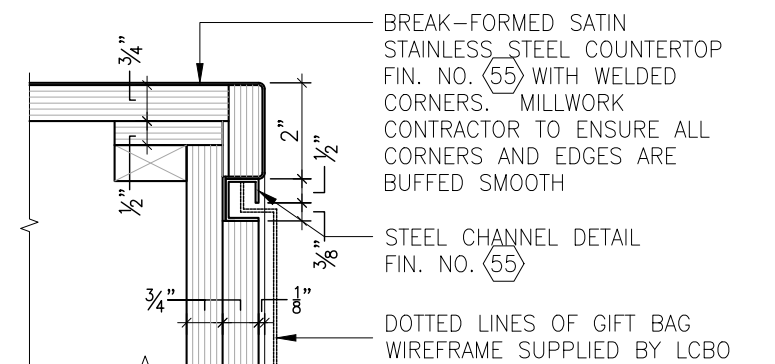


4 ELEVATION
F104a 3/4" = 1'-0"

LCBO	100 CHECK-OUT AREA/VESTIBULE	REVISION DATE	REV.	2 OF 4	ISSUE DATE	STORE TYPE	STORE #
	CASH/CHECK-OUT DESK W/ BASKET WELL	2021 MAR	17	F104a	2021 APR		

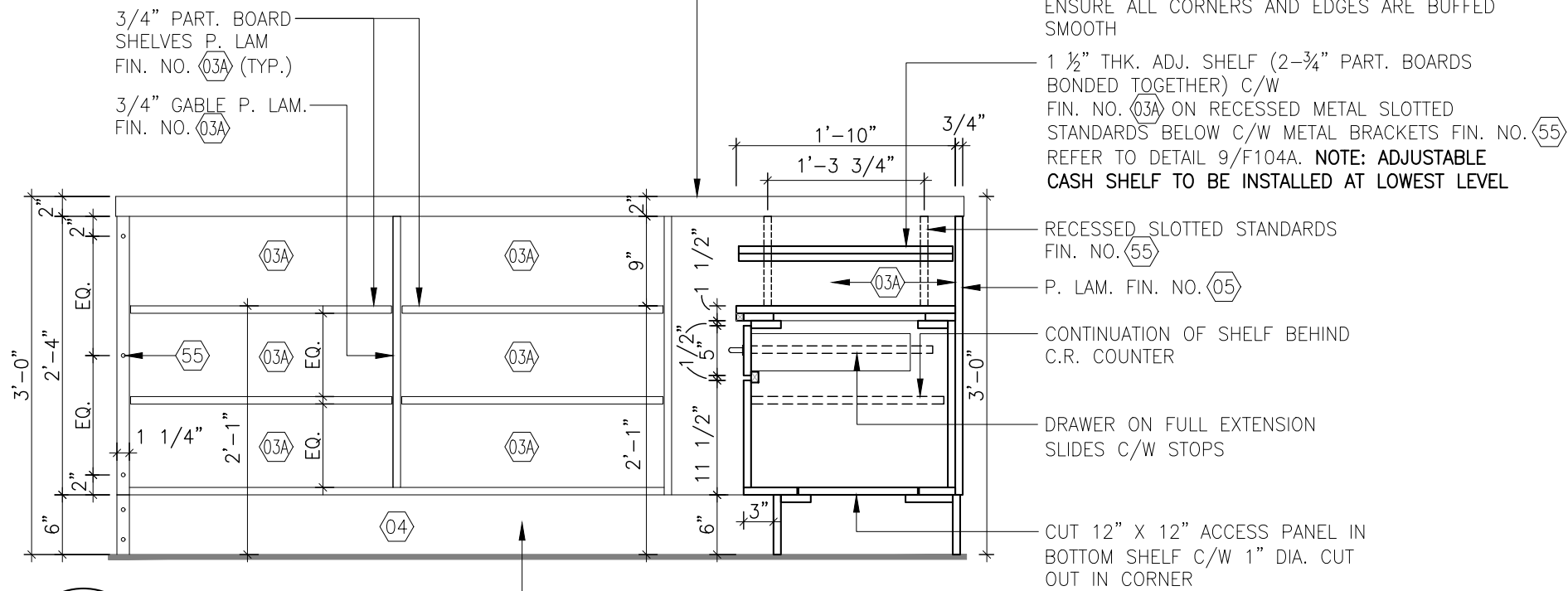


5 SECTIONAL-ELEVATION
F104a 3/4" = 1'-0"

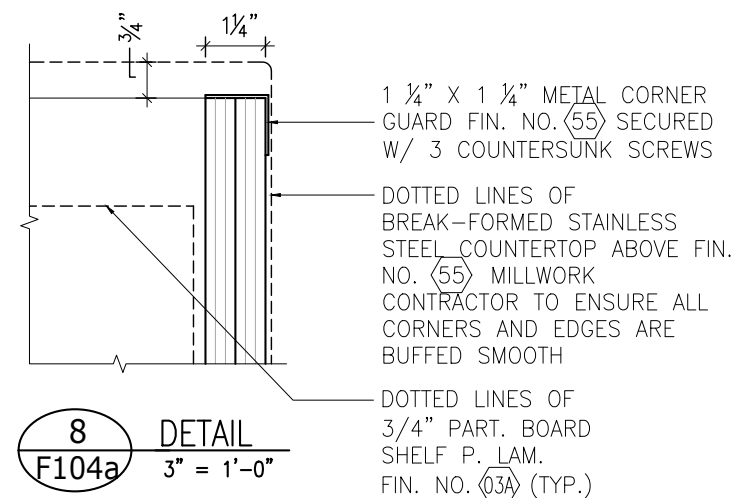


7 DETAIL
F104a 3" = 1'-0"

NOTE: DOOR PULLS BY RICHELIEU
TEL: (905) 890-4920
REF. NO: #33 205-195
FINISH: MAT NICKEL

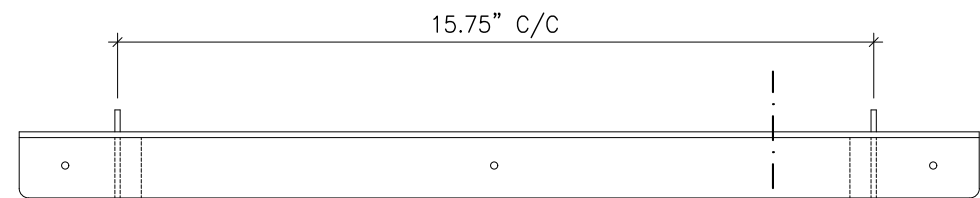


6 SECTIONAL-ELEVATION
F104a 3/4" = 1'-0"



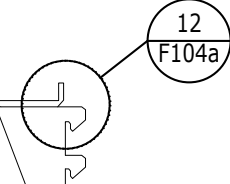
8 DETAIL
F104a 3" = 1'-0"

LCBO	100 CHECK-OUT AREA/VESTIBULE	REVISION DATE	REV.	3 OF 4	ISSUE DATE	STORE TYPE	STORE #
	CASH/CHECK-OUT DESK W/ BASKET WELL	2021 MAR	17	F104a	2021 APR		

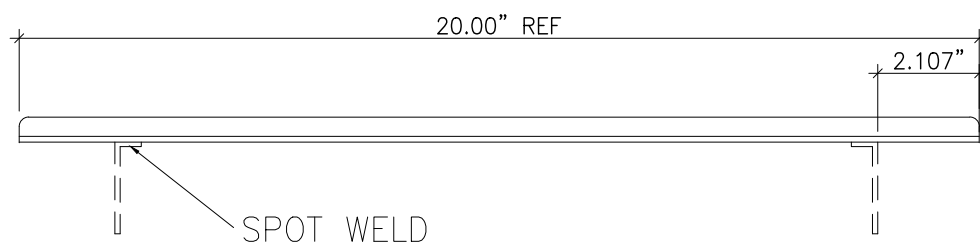


9 PLAN VIEW
F104a 3" = 1'-0"

FLUSH AT FRONT



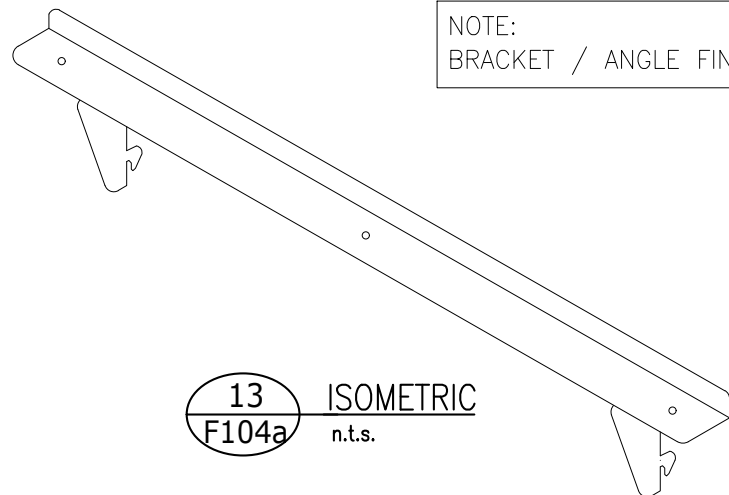
11 SECTION
F104a 3" = 1'-0"



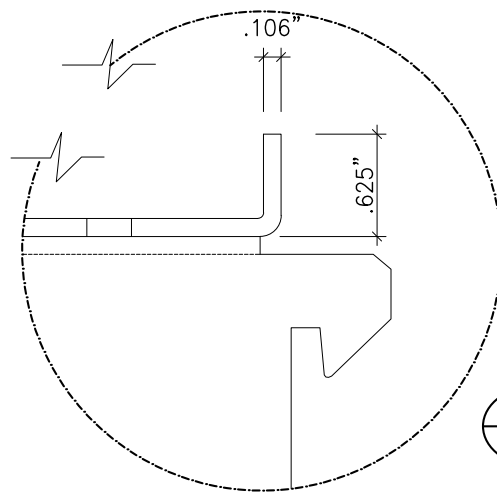
10 ELEVATION
F104a 3" = 1'-0"

SPOT WELD

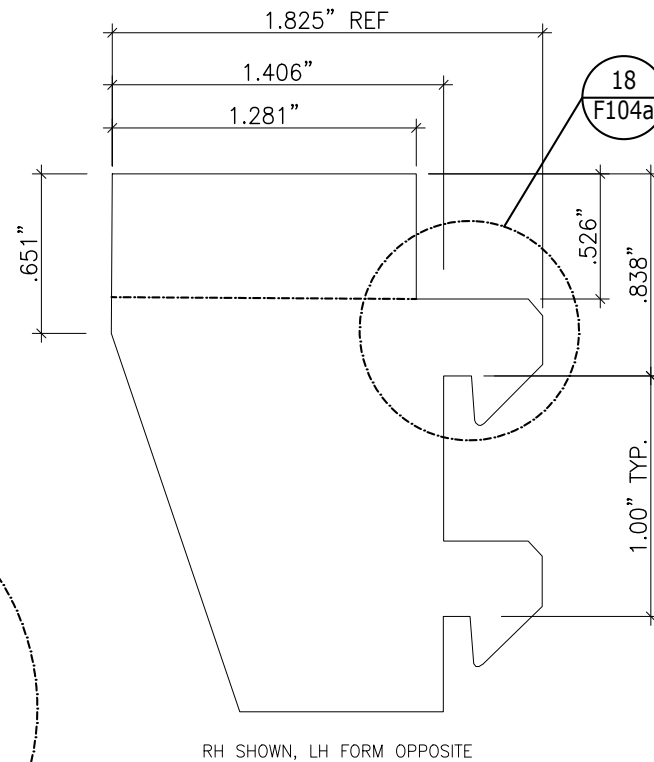
NOTE:
BRACKET / ANGLE FIN. NO. 55



13 ISOMETRIC
F104a n.t.s.

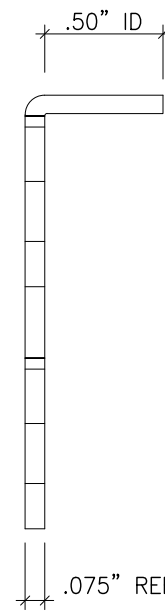


12 DETAIL
F104a n.t.s.

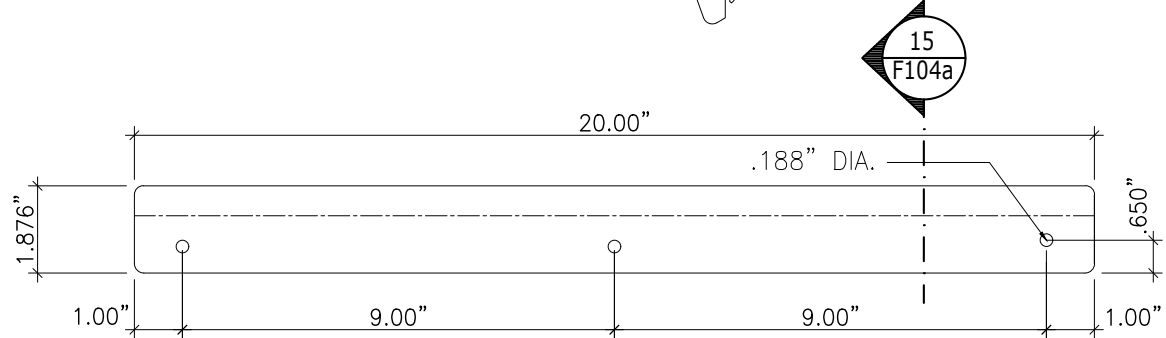


16 ELEVATION - SHELF BRACKET
F104a n.t.s.

RH SHOWN, LH FORM OPPOSITE



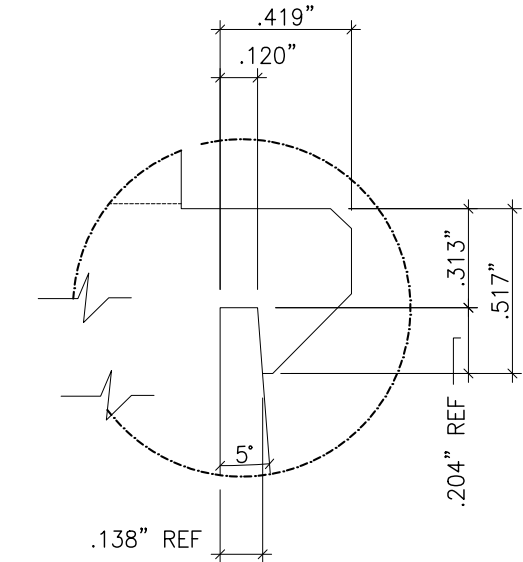
17 ELEVATION
F104a n.t.s.



14 ELEVATION - SHELF ANGLE
F104a 3" = 1'-0"

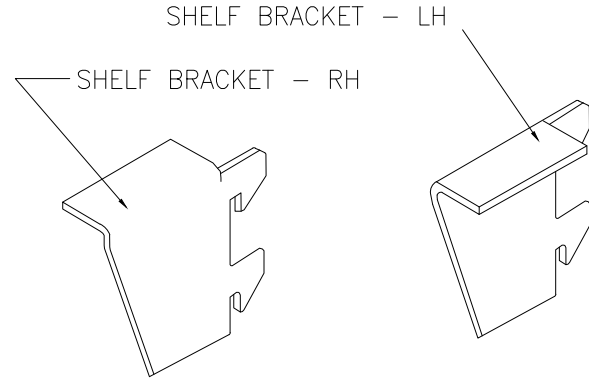
15 SECTION
F104a

15 SECTION
F104a 3" = 1'-0"



18 DETAIL
F104a n.t.s.

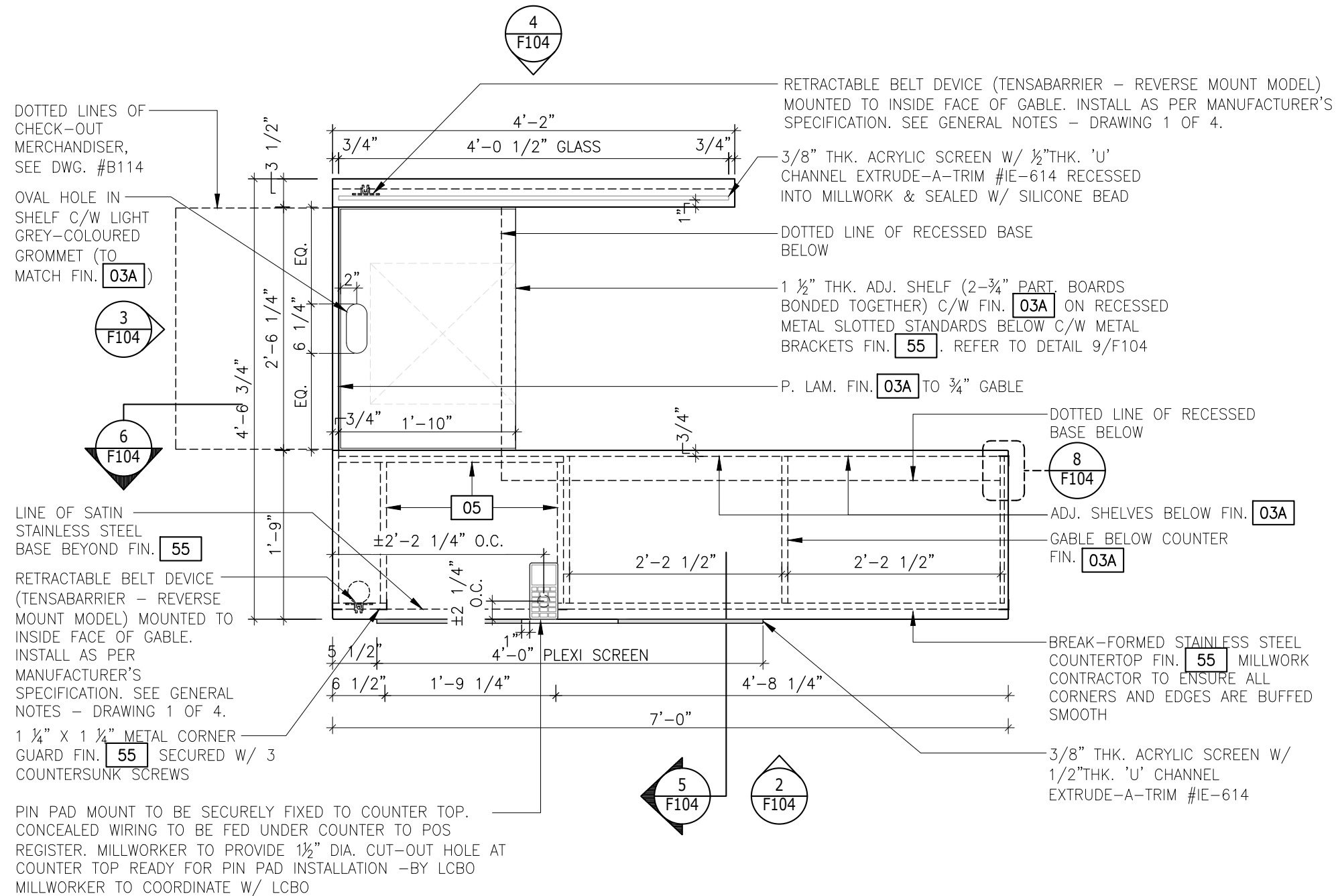
EQUIVALENT OF 1/2" SYSTEM HOOK



19 ISOMETRIC VIEWS
F104a n.t.s.

NOTE:
CASH REGISTER WEIGHT IS BETWEEN 60 LBS AND 80 LBS TOTAL.
FIXTURE CONTRACTOR TO ENSURE SHELF ANGLE/BRACKET
PROVIDES SUFFICIENT SUPPORT AND STABILITY

LCBO	100 CHECK-OUT AREA/VESTIBULE	REVISION DATE	REV.	4 OF 4	ISSUE DATE	STORE TYPE	STORE #
	CASH/CHECK-OUT DESK W/ BASKET WELL	2021 MAR	17	F104a	2021 APR		



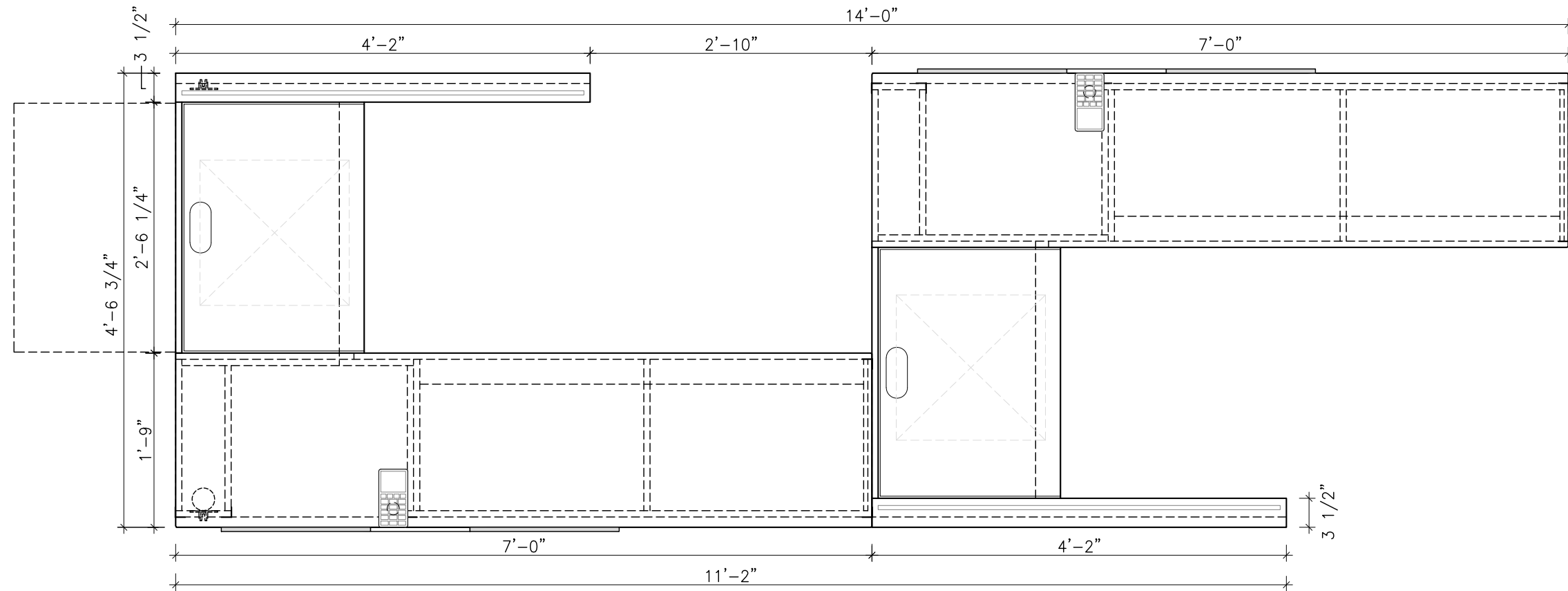
GENERAL NOTES:

- BASE & STRUCTURAL COMPONENTS TO BE 3/4" PLYWOOD CONSTRUCTION WITH DESIGNATED FINISH.
- DRAWERS TO BE CONSTRUCTED OF SOLID 1/2" BALTIC BIRCH W/ CLEAR LACQUER FINISH.
- ALL OTHER CONSTRUCTION TO BE 3/4" PARTICLE BOARD WITH DESIGNATED FINISH UNLESS NOTED OTHERWISE.
- ALL EDGES & CORNERS OF SATIN STAINLESS STEEL COUNTERTOP TO BE WELDED AND BUFFED SMOOTH.
- ALL SCREWS IN METAL CORNER GUARDS TO MATCH FINISH OF CORNER GUARD/TRIM AND BE COUNTERSUNK. ALL SHARP EDGES TO BE MADE SMOOTH TO ENSURE SAFETY OF CUSTOMERS AND STAFF.
- MILLWORK CONTRACTOR TO SUPPLY AND INSTALL TENSABARRIER DEVICE AT SIDE OF CASH/CHECK OUT DESK. MILLWORK CONTRACTOR TO SUPPLY AND INSTALL TENSABARRIER AS PER MANUFACTURERS SPECIFICATIONS AND LCBO SPECIFICATION – 10 90 00. MILLWORK CONTRACTOR TO PROVIDE CUT OUT AT GABLE AND MOUNT HARDWARE AS PER SPECIFICATIONS. MILLWORK CONTRACTOR WILL ASSUME RESPONSIBILITY FOR CUT OUT SIZE AND LOCATION. MILLWORK CONTRACTOR TO INDICATE PROPOSED DETAILS/CUT OUT LOCATION ON SHOP DRAWING SUBMITTAL FOR FINAL APPROVAL PRIOR TO FABRICATION
- NO VISIBLE P. LAM. SEAMS PERMITTED.

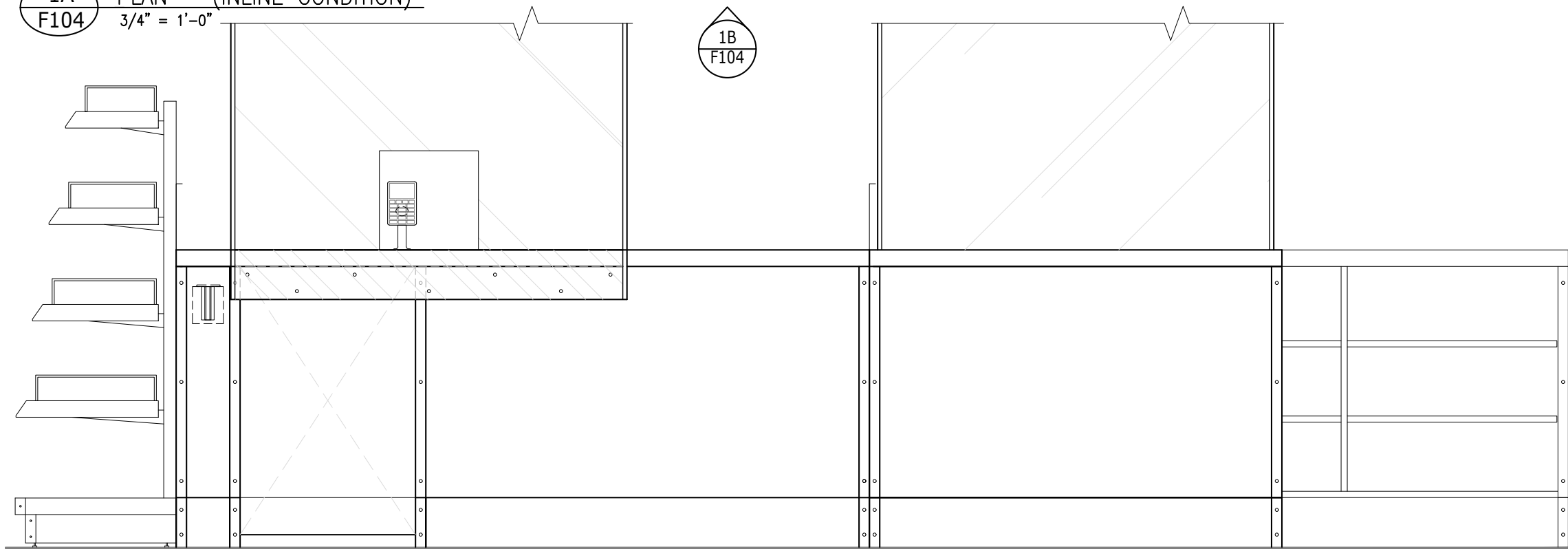
SHOPPING BASKETS
BY CART SOURCE
MODEL: PHB32
SIZE: 20" L. x 13.5" W. x 10" H.

1 PLAN
F104 3/4" = 1'-0"

LCBO	F100 CHECK-OUT AREA/VESTIBULE	REVISION DATE	REV.	1 OF 5	ISSUE DATE	STORE TYPE	STORE #
	CASH/CHECK-OUT DESK W/ GLASS DIVIDER PANEL & BASKET WELL	2021 MAR.	17	F104	2021 APR		

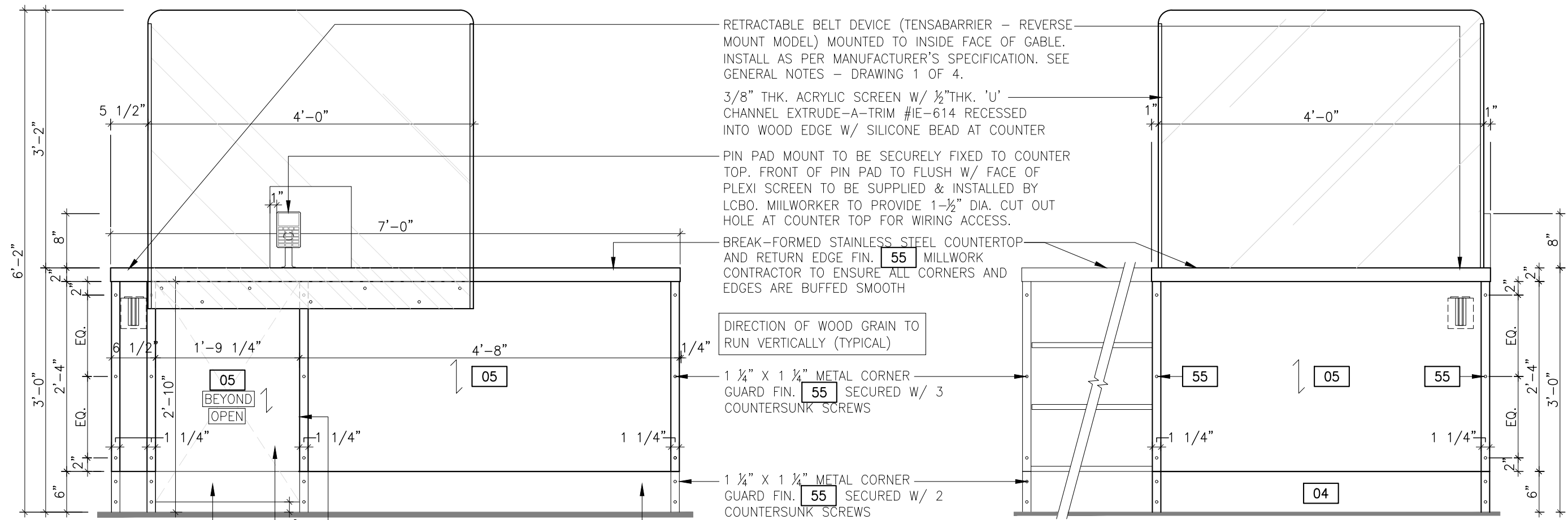


1A
F104 PLAN - (INLINE CONDITION)
3/4" = 1'-0"



1B
F104 ELEVATION - (INLINE CONDITION)
3/4" = 1'-0"

LCBO	F100 CHECK-OUT AREA/VESTIBULE	REVISION DATE	REV.	2 OF 5	ISSUE DATE	STORE TYPE	STORE #
	CASH/CHECK-OUT DESK W/ GLASS DIVIDER PANEL & BASKET WELL	2021 MAR.	17	F104	2021 APR		



RETRACTABLE BELT DEVICE (TENSABARRIER – REVERSE MOUNT MODEL) MOUNTED TO INSIDE FACE OF GABLE. INSTALL AS PER MANUFACTURER’S SPECIFICATION. SEE GENERAL NOTES – DRAWING 1 OF 4.

3/8" THK. ACRYLIC SCREEN W/ 1/2" THK. 'U' CHANNEL EXTRUDE-A-TRIM #IE-614 RECESSED INTO WOOD EDGE W/ SILICONE BEAD AT COUNTER

PIN PAD MOUNT TO BE SECURELY FIXED TO COUNTER TOP. FRONT OF PIN PAD TO FLUSH W/ FACE OF PLEXI SCREEN TO BE SUPPLIED & INSTALLED BY LCBO. MILLWORKER TO PROVIDE 1-1/2" DIA. CUT OUT HOLE AT COUNTER TOP FOR WIRING ACCESS.

BREAK-FORMED STAINLESS STEEL COUNTERTOP AND RETURN EDGE FIN. 55 MILLWORK CONTRACTOR TO ENSURE ALL CORNERS AND EDGES ARE BUFFED SMOOTH

DIRECTION OF WOOD GRAIN TO RUN VERTICALLY (TYPICAL)

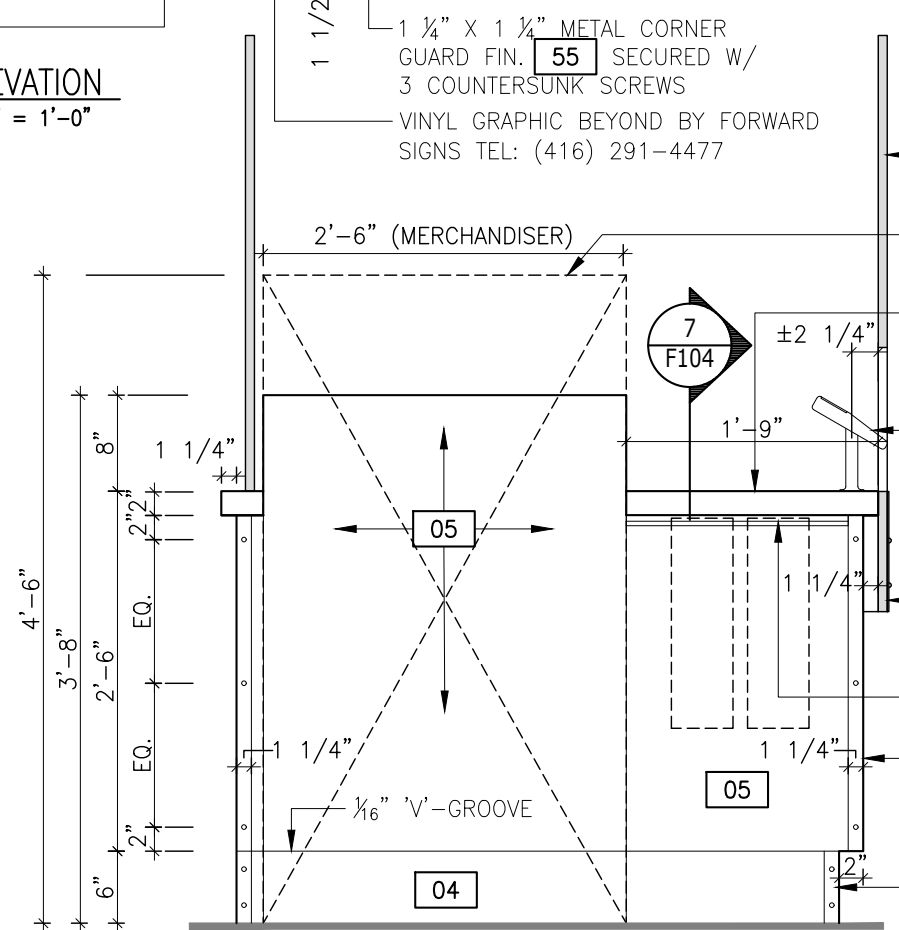
1 1/4" X 1 1/4" METAL CORNER GUARD FIN. 55 SECURED W/ 3 COUNTERSUNK SCREWS

1 1/4" X 1 1/4" METAL CORNER GUARD FIN. 55 SECURED W/ 2 COUNTERSUNK SCREWS

FIN. 04 TO RECESSED BASE

2 ELEVATION
F104 3/4" = 1'-0"

4 ELEVATION
F104 3/4" = 1'-0"



3/8" THK. ACRYLIC SCREEN W/ 1/2" THK. 'U' CHANNEL EXTRUDE-A-TRIM #IE-614

DOTTED LINES OF CHECK-OUT MERCHANDISER, SEE DWG. #B114

BREAK-FORMED STAINLESS STEEL COUNTERTOP FIN. 55 MILLWORK CONTRACTOR TO ENSURE ALL CORNERS AND EDGES ARE BUFFED SMOOTH

PIN PAD MOUNT TO BE SECURELY FIXED TO COUNTER TOP. FRONT OF PIN PAD TO FLUSH W/ FACE OF PLEXI SCREEN. PIN PAD TO BE SUPPLIED & INSTALLED BY LCBO. MILLWORKER TO PROVIDE CUT OUT AT COUNTER TOP FOR WIRING ACCESS.

1/4" CHROME FINISH THRU-BOLT WITH LOCK WASHERS AND ROUNDED HEADS W/BACKING INSIDE THE DESK

RECESSED CHANNEL FIN. 55, SEE DETAIL 7/B104

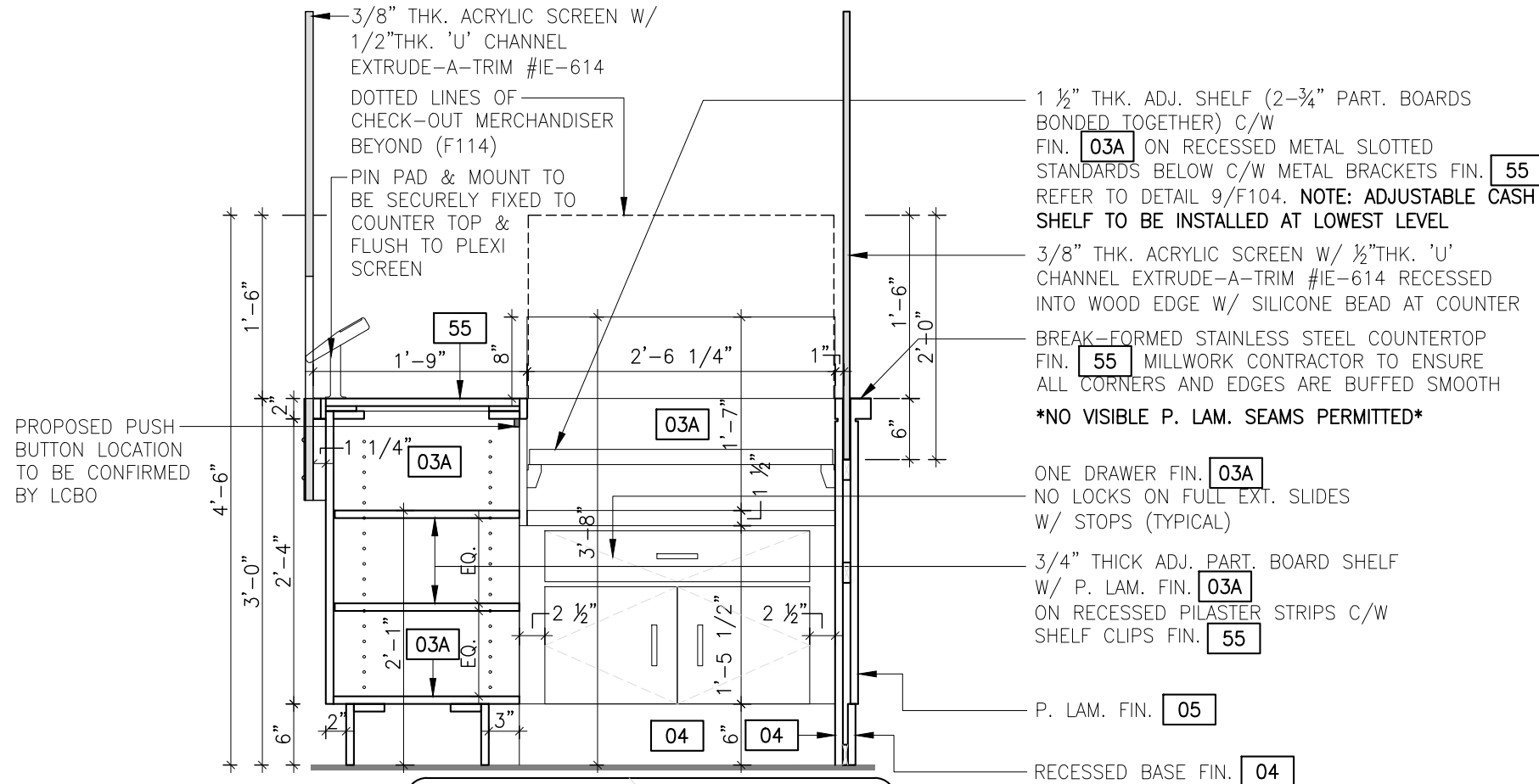
1 1/4" X 1 1/4" METAL CORNER GUARD FIN. 55 SECURED W/ 3 COUNTERSUNK SCREWS

NO VISIBLE P. LAM. SEAMS PERMITTED

FIN. 04 TO RECESSED BASE

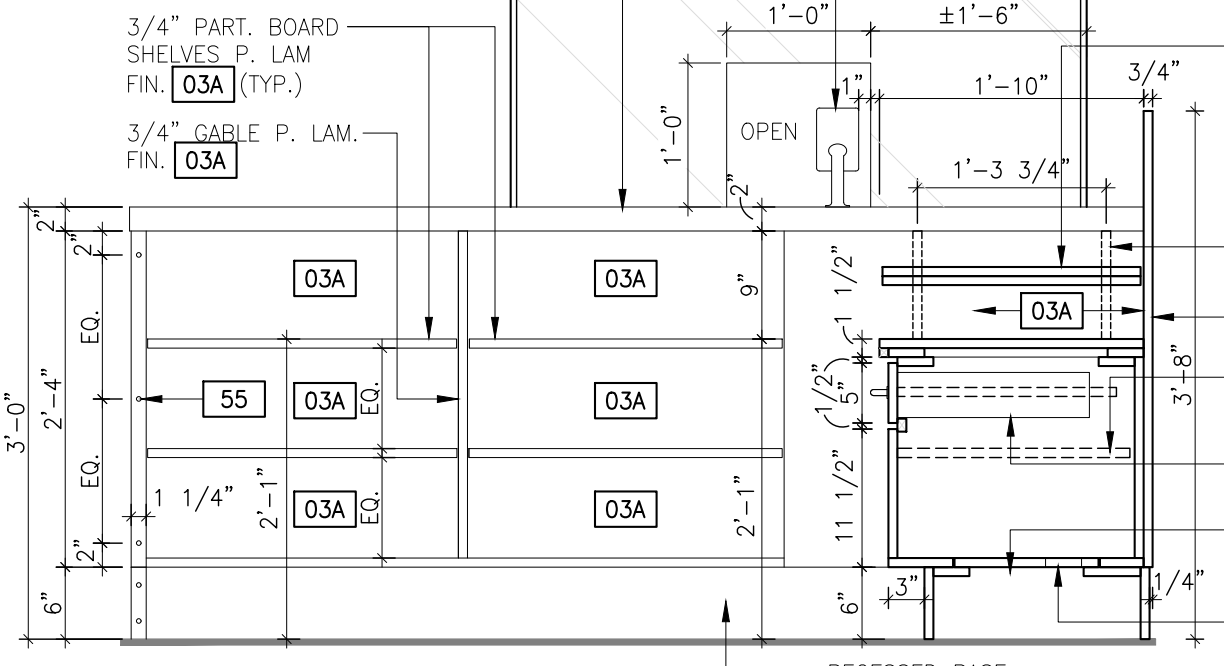
3 ELEVATION
F104 3/4" = 1'-0"

LCBO	F100 CHECK-OUT AREA/VESTIBULE	REVISION DATE	REV.	3 OF 5	ISSUE DATE	STORE TYPE	STORE #
	CASH/CHECK-OUT DESK W/ GLASS DIVIDER PANEL & BASKET WELL	2021 MAR.	17	F104	2021 APR		

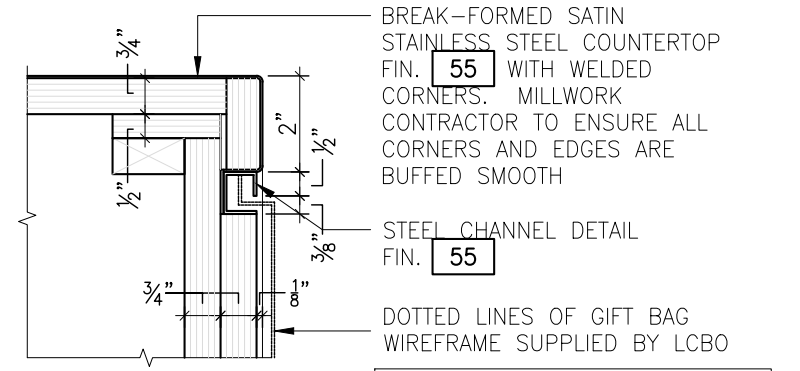


5 SECTIONAL-ELEVATION
F104 3/4" = 1'-0"

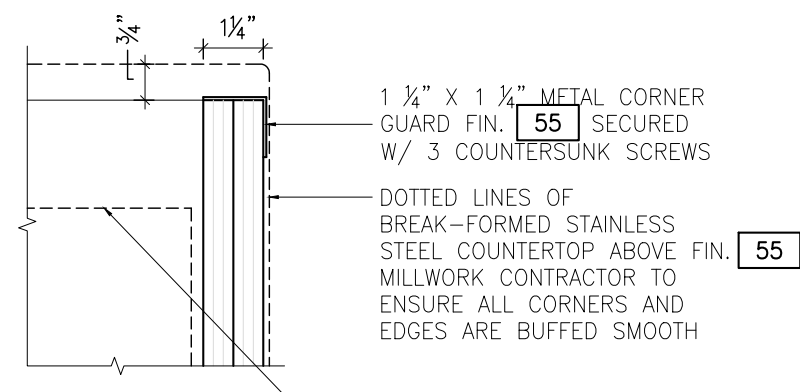
NOTE: DOOR PULLS BY RICHELIEU
TEL: (905) 890-4920
REF. NO: #33 205-195
FINISH: MAT NICKEL



6 SECTIONAL-ELEVATION
F104 3/4" = 1'-0"

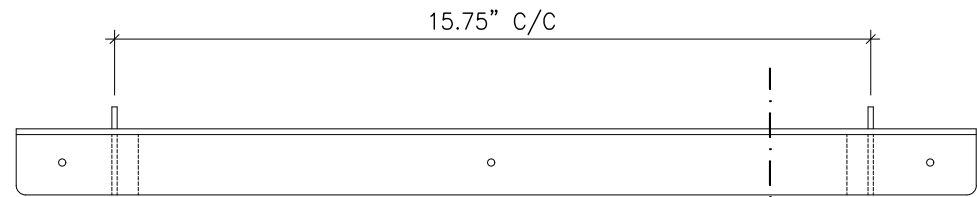


7 DETAIL
F104 3" = 1'-0"

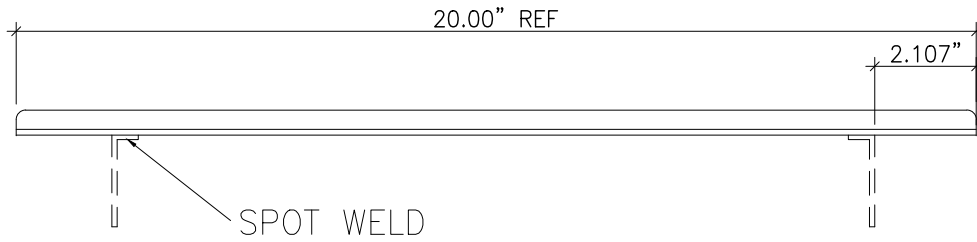
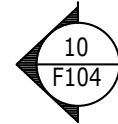


8 DETAIL
F104 3" = 1'-0"

LCBO	F100 CHECK-OUT AREA/VESTIBULE	REVISION DATE	REV.	4 OF 5	ISSUE DATE	STORE TYPE	STORE #
	CASH/CHECK-OUT DESK W/ GLASS DIVIDER PANEL & BASKET WELL	2021 MAR.	17	F104	2021 APR		

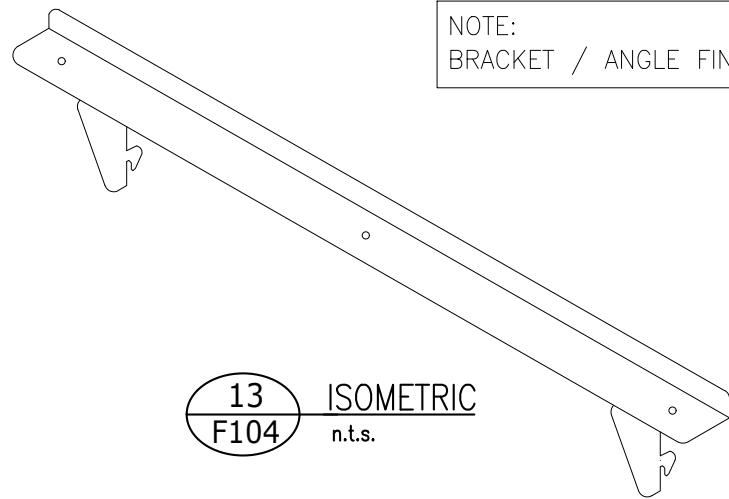


9 PLAN VIEW
F104 3" = 1'-0"

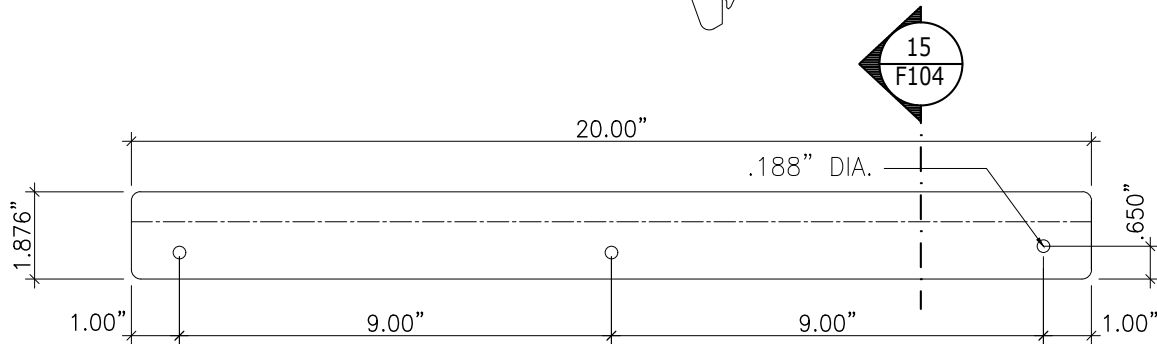


10 ELEVATION
F104 3" = 1'-0"

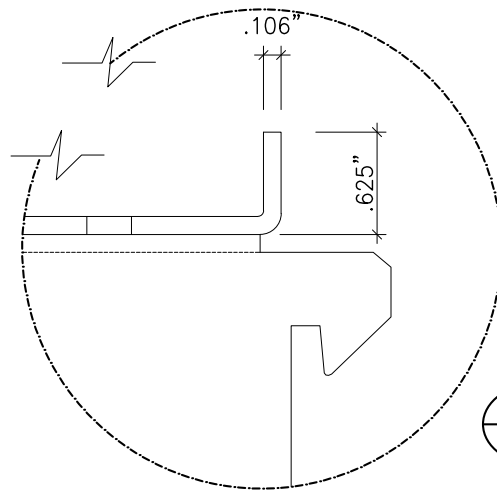
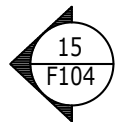
NOTE:
BRACKET / ANGLE FIN. 55



13 ISOMETRIC
F104 n.t.s.



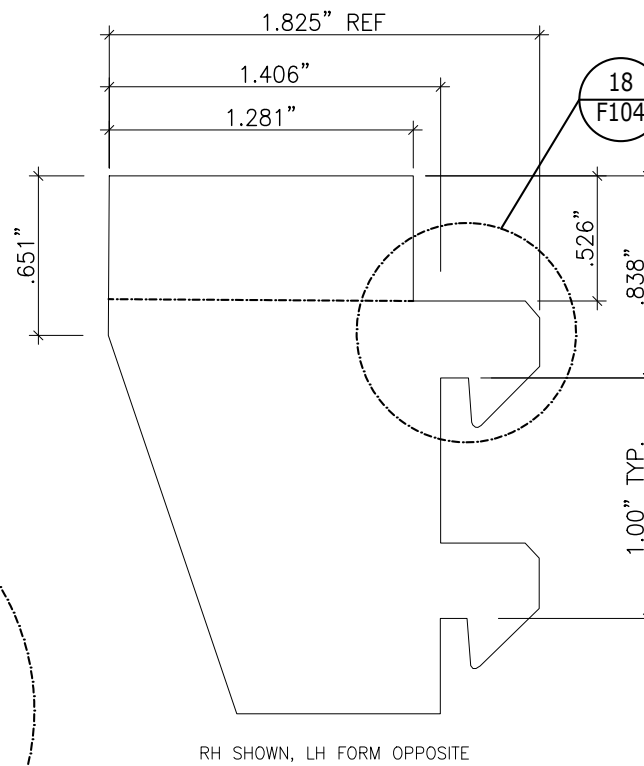
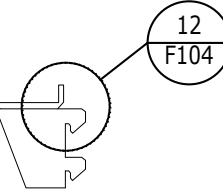
14 ELEVATION - SHELF ANGLE
F104 3" = 1'-0"



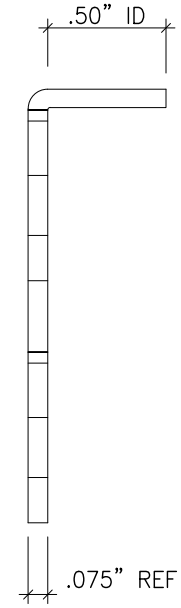
12 DETAIL
F104 n.t.s.

15 SECTION
F104 3" = 1'-0"

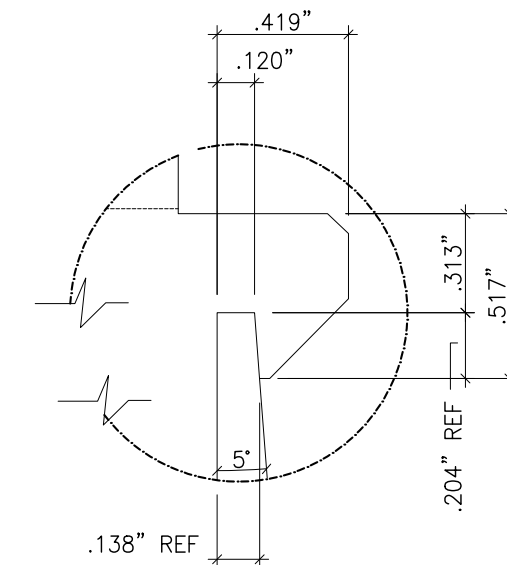
FLUSH AT FRONT



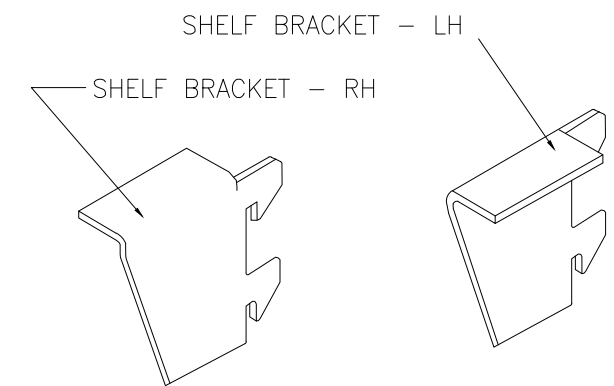
16 ELEVATION - SHELF BRACKET
F104 n.t.s.



17 ELEVATION
F104 n.t.s.



EQUIVALENT OF 1/2" SYSTEM HOOK
18 DETAIL
F104 n.t.s.



19 ISOMETRIC VIEWS
F104 n.t.s.

NOTE:
CASH REGISTER WEIGHT IS BETWEEN 60 LBS AND 80 LBS TOTAL.
FIXTURE CONTRACTOR TO ENSURE SHELF ANGLE/BRACKET
PROVIDES SUFFICIENT SUPPORT AND STABILITY

LCBO	F100 CHECK-OUT AREA/VESTIBULE	REVISION DATE	REV.	5 OF 5	ISSUE DATE	STORE TYPE	STORE #
	CASH/CHECK-OUT DESK W/ GLASS DIVIDER PANEL & BASKET WELL	2021 MAR.	17	F104	2021 APR		

PIN PAD MOUNT TO BE SECURELY FIXED TO COUNTER TOP.
CONCEALED WIRING TO BE FED UNDER COUNTER TO POS
REGISTER. MILLWORKER TO PROVIDE 1 1/2" DIA. CUT-OUT HOLE AT
COUNTER TOP READY FOR PIN PAD INSTALLATION -BY LCBO
MILLWORKER TO COORDINATE W/ LCBO

1 1/4" X 1 1/4" METAL CORNER
GUARD FIN. [55] SECURED
W/ 3 COUNTERSUNK SCREWS

RETRACTABLE BELT DEVICE
(TENSABARRIER - REVERSE
MOUNT MODEL) MOUNTED TO
INSIDE FACE OF GABLE. INSTALL
AS PER MANUFACTURER'S
SPECIFICATION. SEE GENERAL
NOTES - DRAWING 1 OF 4.

LINE OF SATIN STAINLESS
STEEL BASE BEYOND FIN. [55]

FREE STANDING SIGN
BANNER BY LCBO

OVAL HOLE IN LIGHT
GREY -COLOURED
GROMMET (TO MATCH
FIN. [03A])

RECESSED FRONT PANEL
TO ACCOMMODATE
FIXTURE B107

DASHED LINE DENOTES
FIXTURE B107

3/8" THK. ACRYLIC SCREEN W/
1/2" THK. 'U' CHANNEL EXTRUDE-A-TRIM
#IE-614 RECESSED INTO MILLWORK &
SEALED W/ SILICONE BEAD

1 PLAN
F105 3/4" = 1'-0"

SHOPPING BASKETS
BY CART SOURCE
MODEL: PHB32
SIZE: 20" L. x 13.5" W. x 10" H.

BREAK-FORMED STAINLESS STEEL
COUNTERTOP FIN. [55] MILLWORK
CONTRACTOR TO ENSURE ALL CORNERS
AND EDGES ARE BUFFED SMOOTH

1 1/4" X 1 1/4" METAL CORNER GUARD FIN. [55]
SECURED W/ 3 COUNTERSUNK SCREWS

GABLE BELOW COUNTER
FIN. [03A]

DOTTED LINE OF
RECESSED BASE BELOW

ADJ. SHELVES BELOW
FIN. [03A]

5
F105

S103A
OR
S103B

COUNTER HEIGHT
WALL W/ WOOD
CAP FIN. [30]

4'L MOBILE SECURITY
CART BY G.C.
MODEL #H-2083
(4'Lx2'Wx69"H)
SHELF QTY: 3.
CAPACITY: 1,000LBS
MFG: U-LINE
PH. 1.800.295.5510

GENERAL NOTES:

-BASE & STRUCTURAL COMPONENTS TO BE
3/4" PLYWOOD CONSTRUCTION WITH
DESIGNATED FINISH.

-DRAWERS TO BE CONSTRUCTED OF SOLID
1/2" BALDIC BIRCH W/ CLEAR LACQUER
FINISH.

-ALL OTHER CONSTRUCTION TO BE 3/4"
PARTICLE BOARD WITH DESIGNATED FINISH
UNLESS NOTED OTHERWISE.

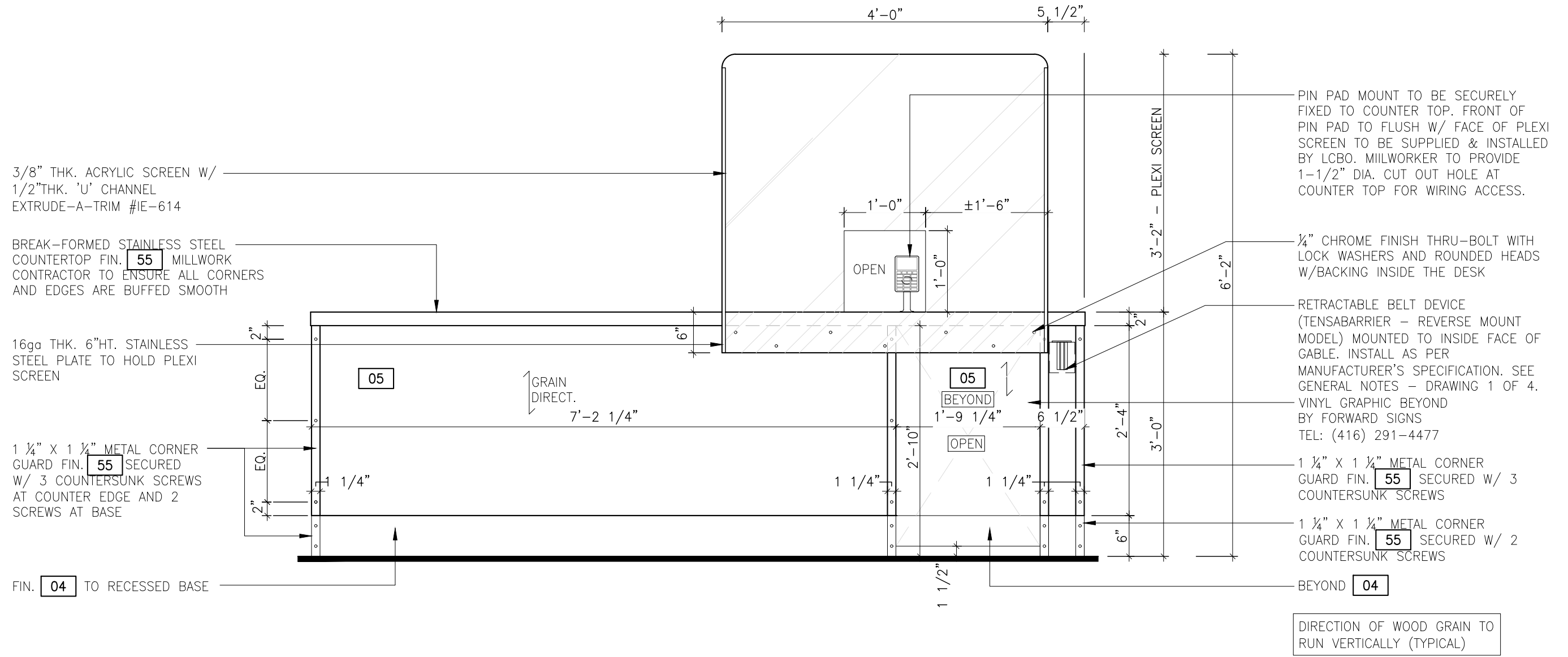
-ALL EDGES & CORNERS OF SATIN
STAINLESS STEEL COUNTERTOP TO BE
WELDED AND BUFFED SMOOTH.

-ALL SCREWS IN METAL CORNER GUARDS
TO MATCH FINISH OF CORNER GUARD/TRIM
AND BE COUNTERSUNK. ALL SHARP EDGES
TO BE MADE SMOOTH TO ENSURE SAFETY
OF CUSTOMERS AND STAFF.

- MILLWORK CONTRACTOR TO SUPPLY AND
INSTALL TENSABARRIER DEVICE AT SIDE OF
CASH/CHECK OUT DESK. MILLWORK
CONTRACTOR TO SUPPLY AND INSTALL
TENSABARRIER AS PER MANUFACTURERS
SPECIFICATIONS AND LCBO SPECIFICATION -
10 90 00. MILLWORK CONTRACTOR TO
PROVIDE CUT OUT AT GABLE AND MOUNT
HARDWARE AS PER SPECIFICATIONS.
MILLWORK CONTRACTOR WILL ASSUME
RESPONSIBILITY FOR CUT OUT SIZE AND
LOCATION. MILLWORK CONTRACTOR TO
INDICATE PROPOSED DETAILS/CUT OUT
LOCATION ON SHOP DRAWING SUBMITTAL
FOR FINAL APPROVAL PRIOR TO FABRICATION

- NO VISIBLE P. LAM. SEAMS PERMITTED.

LCBO	F100 CHECK-OUT AREA/VESTIBULE	REVISION DATE	REV.	1 OF 5	ISSUE DATE	STORE TYPE	STORE #
	ORDER PICK-UP DESK W/ CART	2021 MAR	17	F105	2021 APR		



3/8" THK. ACRYLIC SCREEN W/
1/2"THK. 'U' CHANNEL
EXTRUDE-A-TRIM #IE-614

BREAK-FORMED STAINLESS STEEL
COUNTERTOP FIN. 55 MILLWORK
CONTRACTOR TO ENSURE ALL CORNERS
AND EDGES ARE BUFFED SMOOTH

16ga THK. 6"HT. STAINLESS
STEEL PLATE TO HOLD PLEXI
SCREEN

1 1/4" X 1 1/4" METAL CORNER
GUARD FIN. 55 SECURED
W/ 3 COUNTERSUNK SCREWS
AT COUNTER EDGE AND 2
SCREWS AT BASE

FIN. 04 TO RECESSED BASE

PIN PAD MOUNT TO BE SECURELY
FIXED TO COUNTERTOP. FRONT OF
PIN PAD TO FLUSH W/ FACE OF PLEXI
SCREEN TO BE SUPPLIED & INSTALLED
BY LCBO. MILLWORKER TO PROVIDE
1-1/2" DIA. CUT OUT HOLE AT
COUNTERTOP FOR WIRING ACCESS.

1/4" CHROME FINISH THRU-BOLT WITH
LOCK WASHERS AND ROUNDED HEADS
W/BACKING INSIDE THE DESK

RETRACTABLE BELT DEVICE
(TENSABARRIER - REVERSE MOUNT
MODEL) MOUNTED TO INSIDE FACE OF
GABLE. INSTALL AS PER
MANUFACTURER'S SPECIFICATION. SEE
GENERAL NOTES - DRAWING 1 OF 4.

VINYL GRAPHIC BEYOND
BY FORWARD SIGNS
TEL: (416) 291-4477

1 1/4" X 1 1/4" METAL CORNER
GUARD FIN. 55 SECURED W/ 3
COUNTERSUNK SCREWS

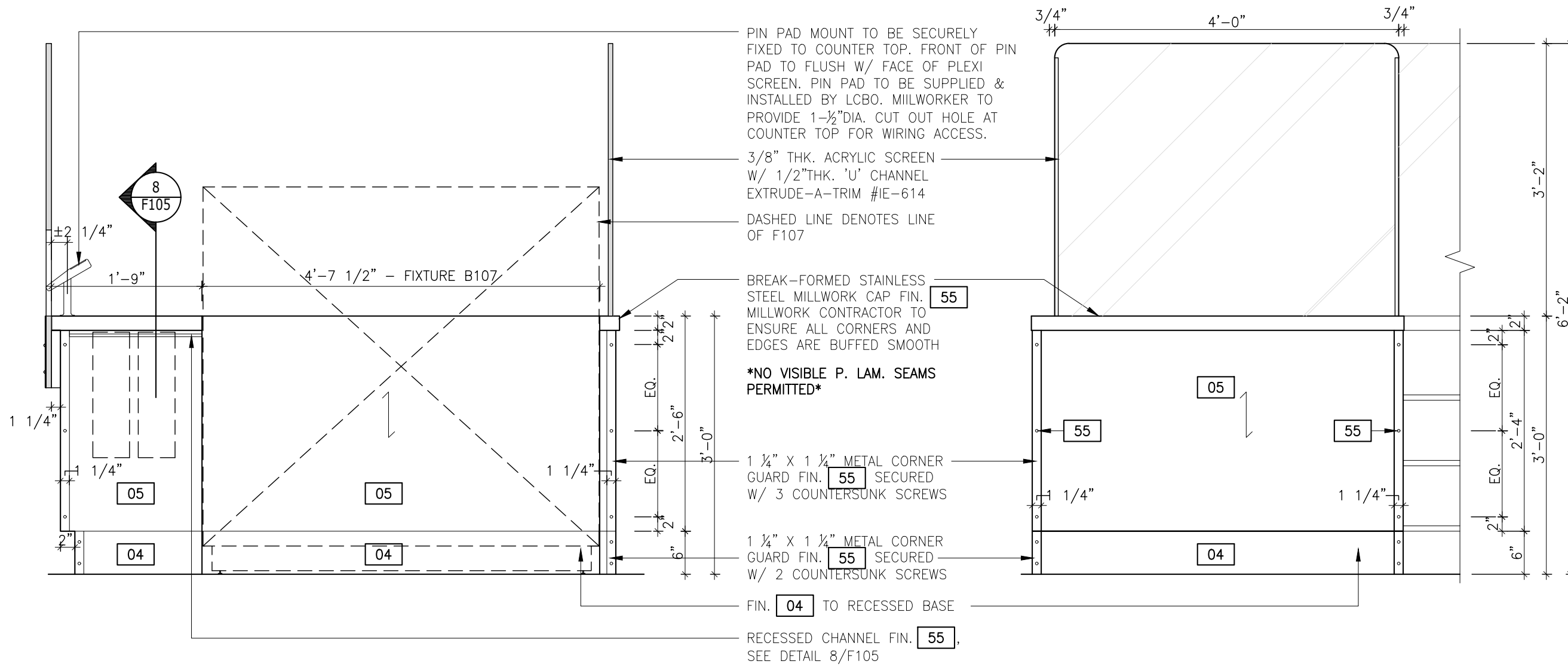
1 1/4" X 1 1/4" METAL CORNER
GUARD FIN. 55 SECURED W/ 2
COUNTERSUNK SCREWS

BEYOND 04

DIRECTION OF WOOD GRAIN TO
RUN VERTICALLY (TYPICAL)

2 ELEVATION
F105 3/4" = 1'-0"

LCBO	F100 CHECK-OUT AREA/VESTIBULE	REVISION DATE	REV.	2 OF 5	ISSUE DATE	STORE TYPE	STORE #
	ORDER PICK-UP DESK W/ CART	2021 MAR	17	F105	2021 APR		

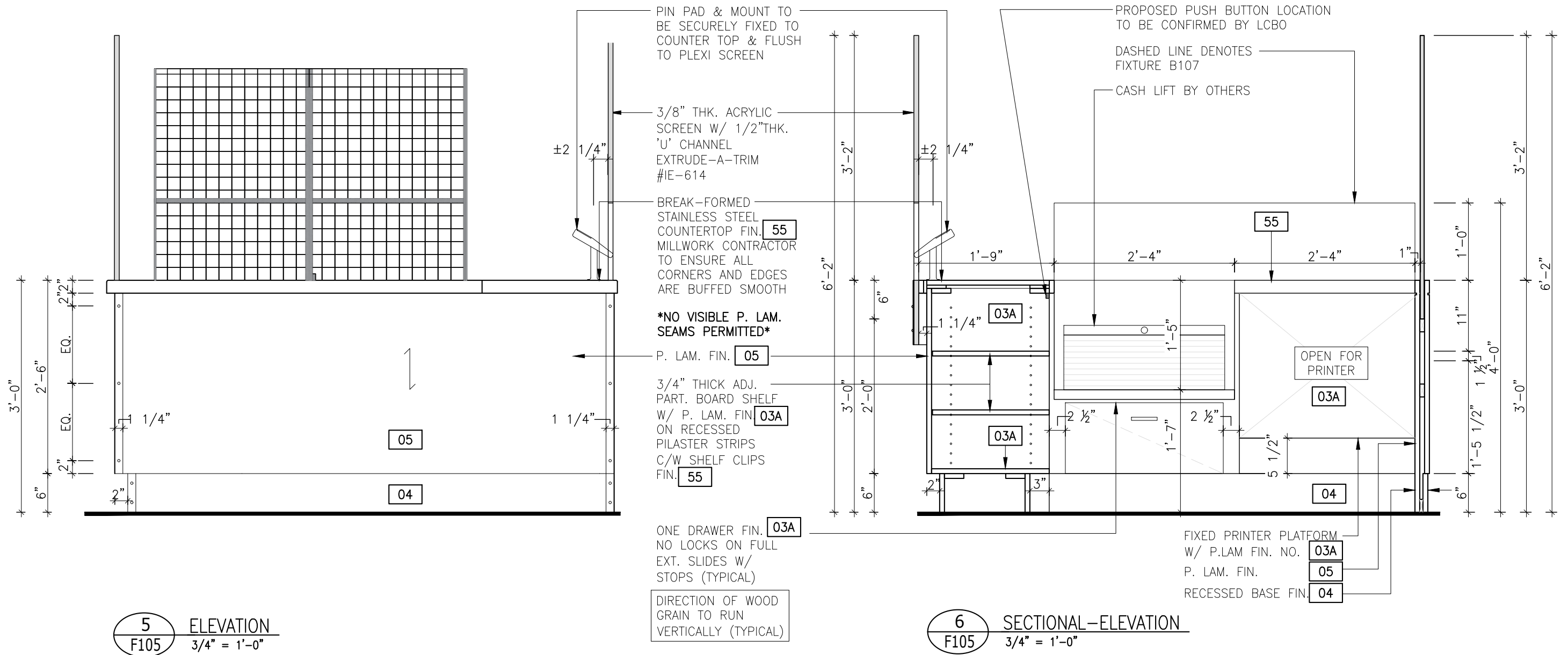


3 ELEVATION
F105 3/4" = 1'-0"

DIRECTION OF WOOD GRAIN TO RUN VERTICALLY (TYPICAL)

4 ELEVATION
F105 3/4" = 1'-0"

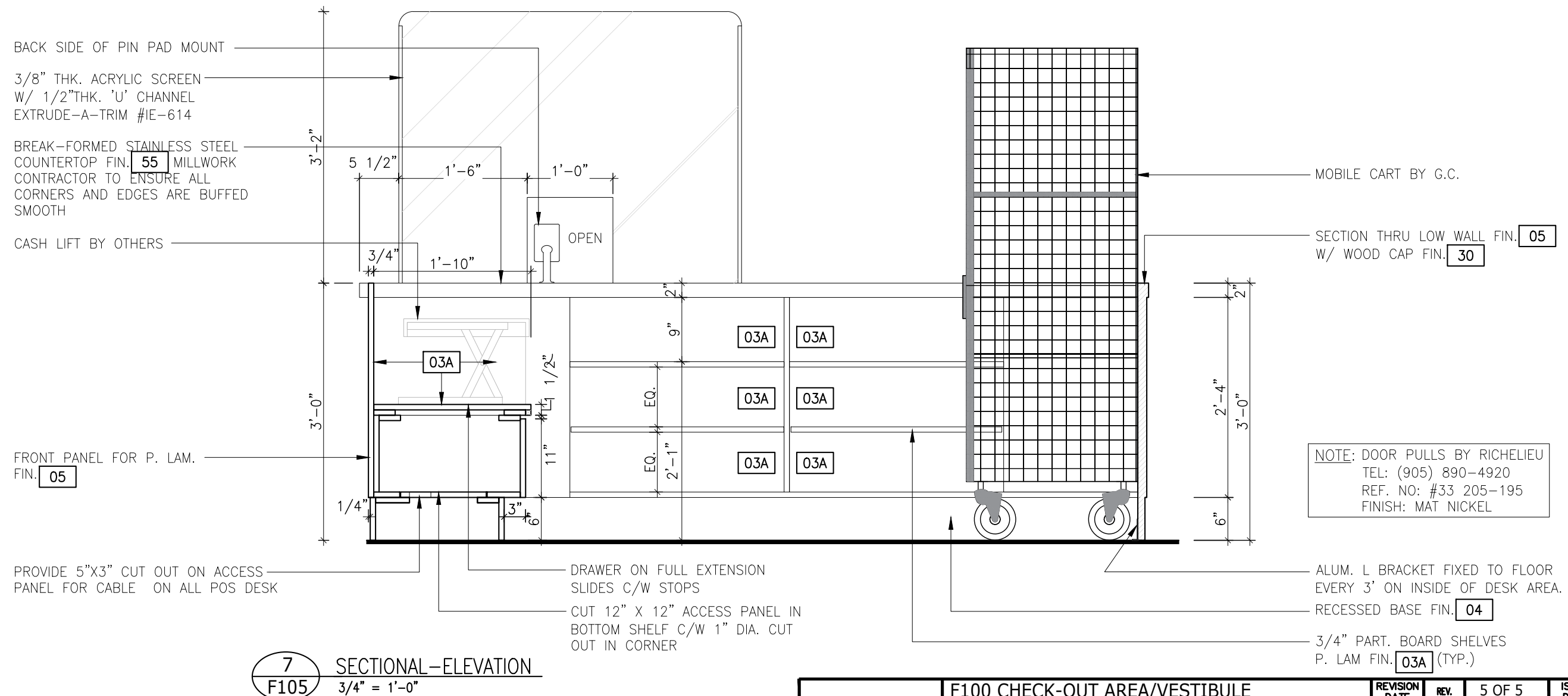
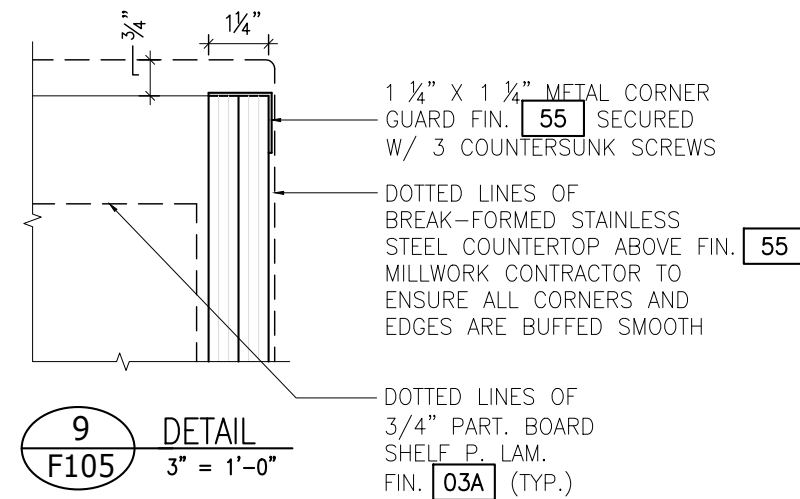
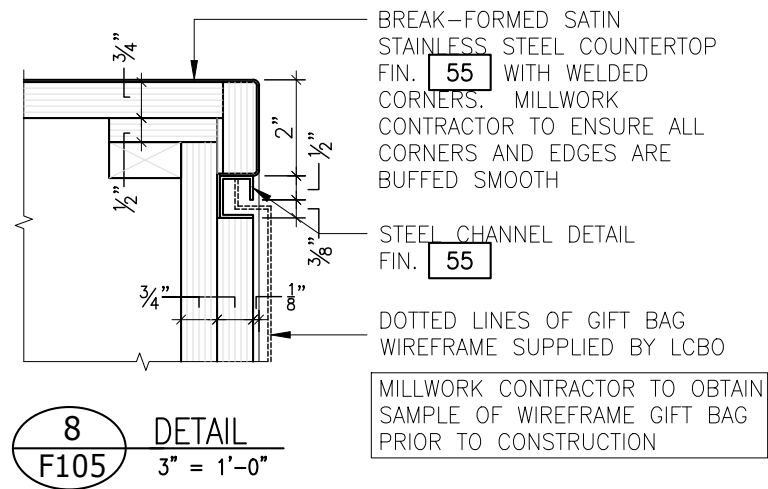
LCBO	F100 CHECK-OUT AREA/VESTIBULE	REVISION DATE	REV.	3 OF 5	ISSUE DATE	STORE TYPE	STORE #
	ORDER PICK-UP DESK W/ CART	2021 MAR	17	F105	2021 APR		



5 ELEVATION
3/4" = 1'-0"

6 SECTIONAL-ELEVATION
3/4" = 1'-0"

LCBO	F100 CHECK-OUT AREA/VESTIBULE	REVISION DATE 2021 MAR	REV. 17	4 OF 5 F105	ISSUE DATE 2021 APR	STORE TYPE	STORE #
	ORDER PICK-UP DESK W/ CART						



LCBO	F100 CHECK-OUT AREA/VESTIBULE	REVISION DATE	REV.	5 OF 5	ISSUE DATE	STORE TYPE	STORE #
	SAME DAY PICK-UP DESK W/ CART	2021 MAR	17	F105	2021 APR		

RETRACTABLE BELT DEVICE (TENSABARRIER – REVERSE MOUNT MODEL) MOUNTED TO INSIDE FACE OF GABLE. INSTALL AS PER MANUFACTURER'S SPECIFICATION. SEE GENERAL NOTES – DRAWING 1 OF 4.

DOTTED LINES OF CHECK-OUT MERCHANDISER, SEE DWG. #F107

5 F106 SIM.

3 F106

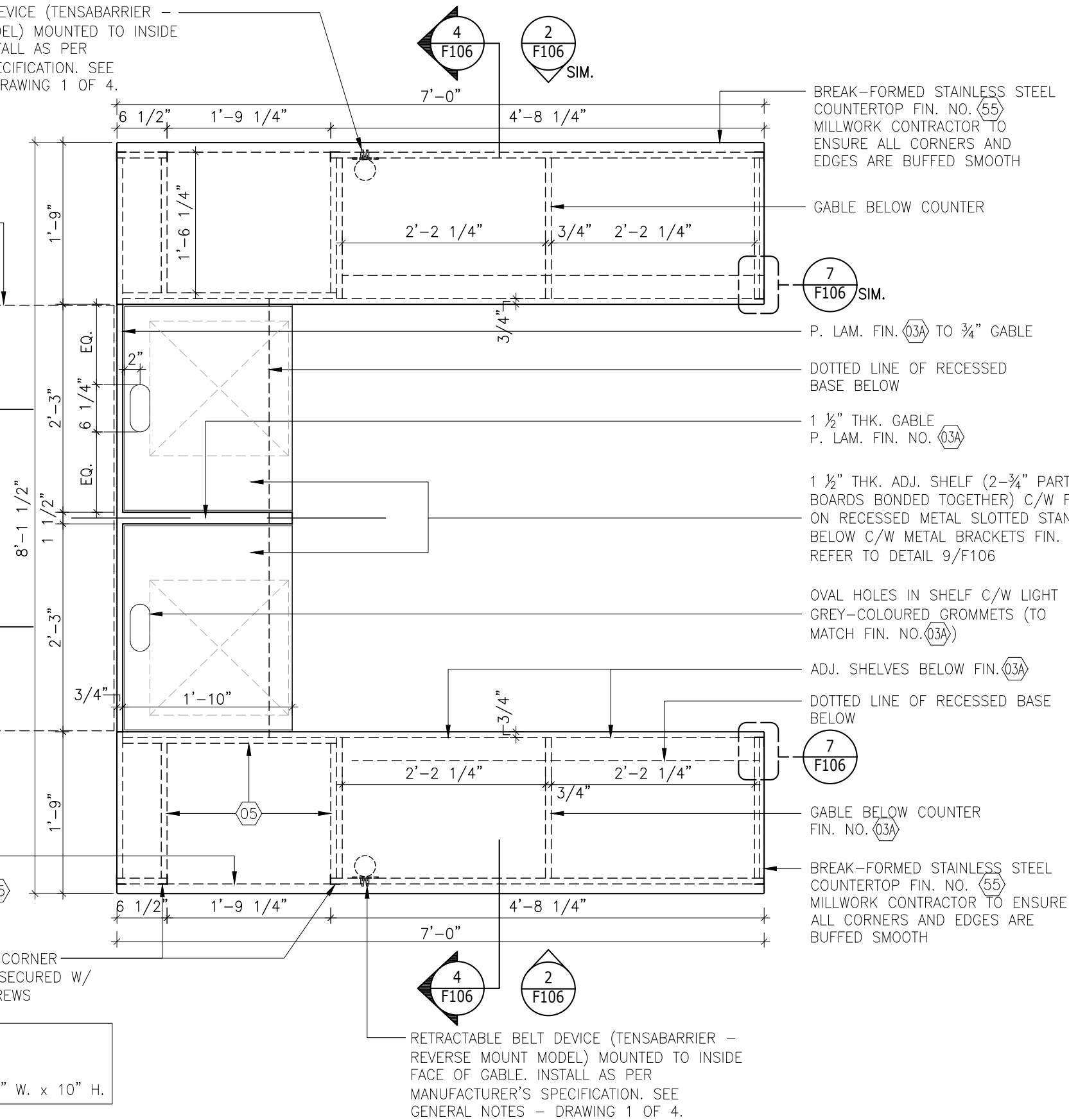
5 F106

LINE OF SATIN STAINLESS STEEL BASE BEYOND FIN. (55)

1 1/4" X 1 1/4" METAL CORNER GUARD FIN. NO. (55) SECURED W/ 3 COUNTERSUNK SCREWS

SHOPPING BASKETS BY CART SOURCE MODEL: PHB32 SIZE: 20" L. x 13.5" W. x 10" H.

1 PLAN
3/4" = 1'-0"



4 F106 2 F106

RETRACTABLE BELT DEVICE (TENSABARRIER – REVERSE MOUNT MODEL) MOUNTED TO INSIDE FACE OF GABLE. INSTALL AS PER MANUFACTURER'S SPECIFICATION. SEE GENERAL NOTES – DRAWING 1 OF 4.

BREAK-FORMED STAINLESS STEEL COUNTERTOP FIN. NO. (55) MILLWORK CONTRACTOR TO ENSURE ALL CORNERS AND EDGES ARE BUFFED SMOOTH

GABLE BELOW COUNTER

7 F106 SIM.

P. LAM. FIN. (03A) TO 3/4" GABLE

DOTTED LINE OF RECESSED BASE BELOW

1 1/2" THK. GABLE P. LAM. FIN. NO. (03A)

1 1/2" THK. ADJ. SHELF (2-3/4" PART. BOARDS BONDED TOGETHER) C/W FIN. NO. (03A) ON RECESSED METAL SLOTTED STANDARDS BELOW C/W METAL BRACKETS FIN. NO. (55). REFER TO DETAIL 9/F106

OVAL HOLES IN SHELF C/W LIGHT GREY-COLOURED GROMMETS (TO MATCH FIN. NO. (03A))

ADJ. SHELVES BELOW FIN. (03A)

DOTTED LINE OF RECESSED BASE BELOW

7 F106

GABLE BELOW COUNTER FIN. NO. (03A)

BREAK-FORMED STAINLESS STEEL COUNTERTOP FIN. NO. (55) MILLWORK CONTRACTOR TO ENSURE ALL CORNERS AND EDGES ARE BUFFED SMOOTH

GENERAL NOTES:

- BASE & STRUCTURAL COMPONENTS TO BE 3/4" PLYWOOD CONSTRUCTION WITH DESIGNATED FINISH.
- DRAWERS TO BE CONSTRUCTED OF SOLID 1/2" BAL TIC BIRCH W/ CLEAR LACQUER FINISH.
- ALL OTHER CONSTRUCTION TO BE 3/4" PARTICLE BOARD WITH DESIGNATED FINISH UNLESS NOTED OTHERWISE.
- ALL EDGES & CORNERS OF SATIN STAINLESS STEEL COUNTERTOP TO BE WELDED AND BUFFED SMOOTH.
- ALL SCREWS IN METAL CORNER GUARDS TO MATCH FINISH OF CORNER GUARD/TRIM AND BE COUNTERSUNK. ALL SHARP EDGES TO BE MADE SMOOTH TO ENSURE SAFETY OF CUSTOMERS AND STAFF.
- MILLWORK CONTRACTOR TO SUPPLY AND INSTALL TENSABARRIER DEVICE AT SIDE OF CASH/CHECK OUT DESK. MILLWORK CONTRACTOR TO SUPPLY AND INSTALL TENSABARRIER AS PER MANUFACTURERS SPECIFICATIONS AND LCBO SPECIFICATION – 10 90 00. MILLWORK CONTRACTOR TO PROVIDE CUT OUT AT GABLE AND MOUNT HARDWARE AS PER SPECIFICATIONS. MILLWORK CONTRACTOR WILL ASSUME RESPONSIBILITY FOR CUT OUT SIZE AND LOCATION. MILLWORK CONTRACTOR TO INDICATE PROPOSED DETAILS/CUT OUT LOCATION ON SHOP DRAWING SUBMITTAL FOR FINAL APPROVAL PRIOR TO FABRICATION
- NO VISIBLE P. LAM. SEAMS PERMITTED.

LCBO	100 CHECK-OUT AREA/VESTIBULE	REVISION DATE	REV.	1 of 4	ISSUE DATE	STORE TYPE	STORE #
	'U'-SHAPED CASH DESK W/ BASKET WELL	2021 MAR	17	F106	2021 APR		

VINYL GRAPHIC BEYOND BY FORWARD SIGNS
 CONTACT: MARLENE BUSSINEAU
 TEL: (416) 291-4477 x401
 CELL: (647) 330-6334
 EMAIL: Marlene.Bussineau@forwardsigns.com

BASKET WELL W/ 1 1/2" SATIN
 STAINLESS STEEL BREAKFORM
 METAL BASE FIN. NO. (55)

RETRACTABLE BELT DEVICE (TENSABARRIER - REVERSE
 MOUNT MODEL) MOUNTED TO INSIDE FACE OF GABLE.
 INSTALL AS PER MANUFACTURER'S SPECIFICATION. SEE
 GENERAL NOTES - DRAWING 1 OF 4.

BREAK-FORMED STAINLESS STEEL
 COUNTERTOP FIN. NO. (55) MILLWORK
 CONTRACTOR TO ENSURE ALL
 CORNERS AND EDGES ARE BUFFED
 SMOOTH

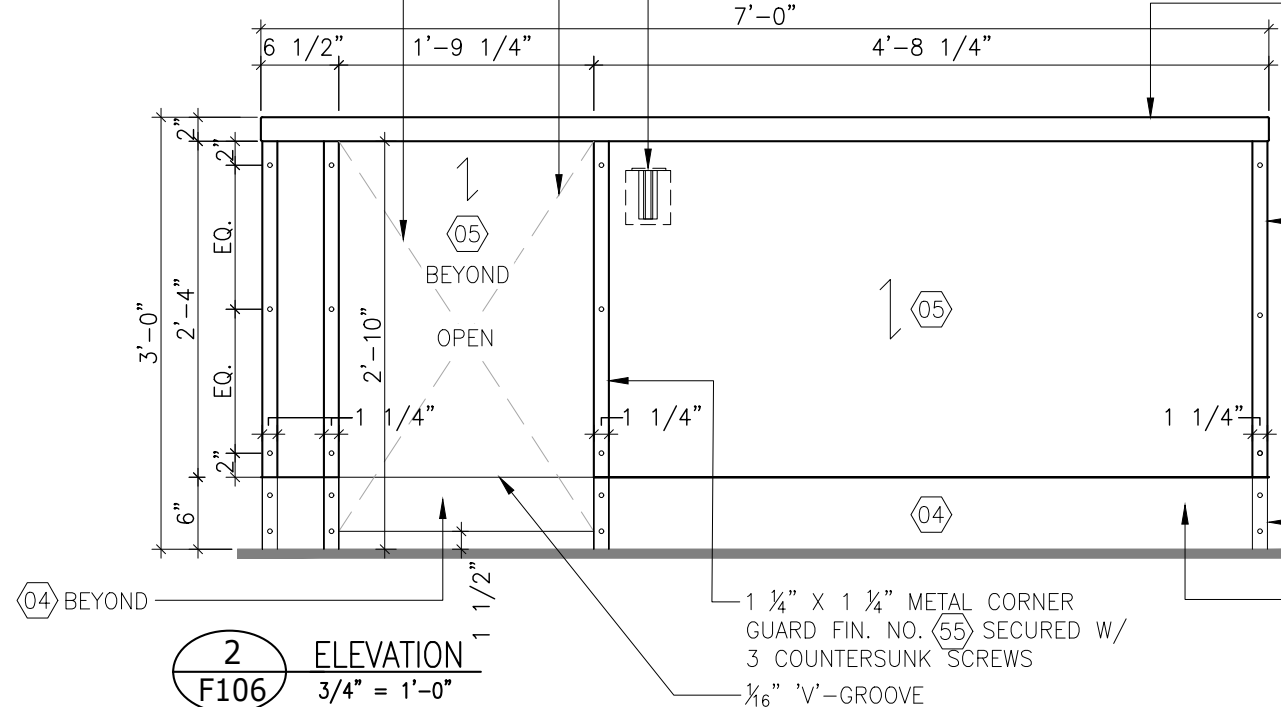
NO VISIBLE P. LAM. SEAMS PERMITTED

1 1/4" X 1 1/4" METAL CORNER
 GUARD FIN. NO. (55) SECURED W/
 3 COUNTERSUNK SCREWS

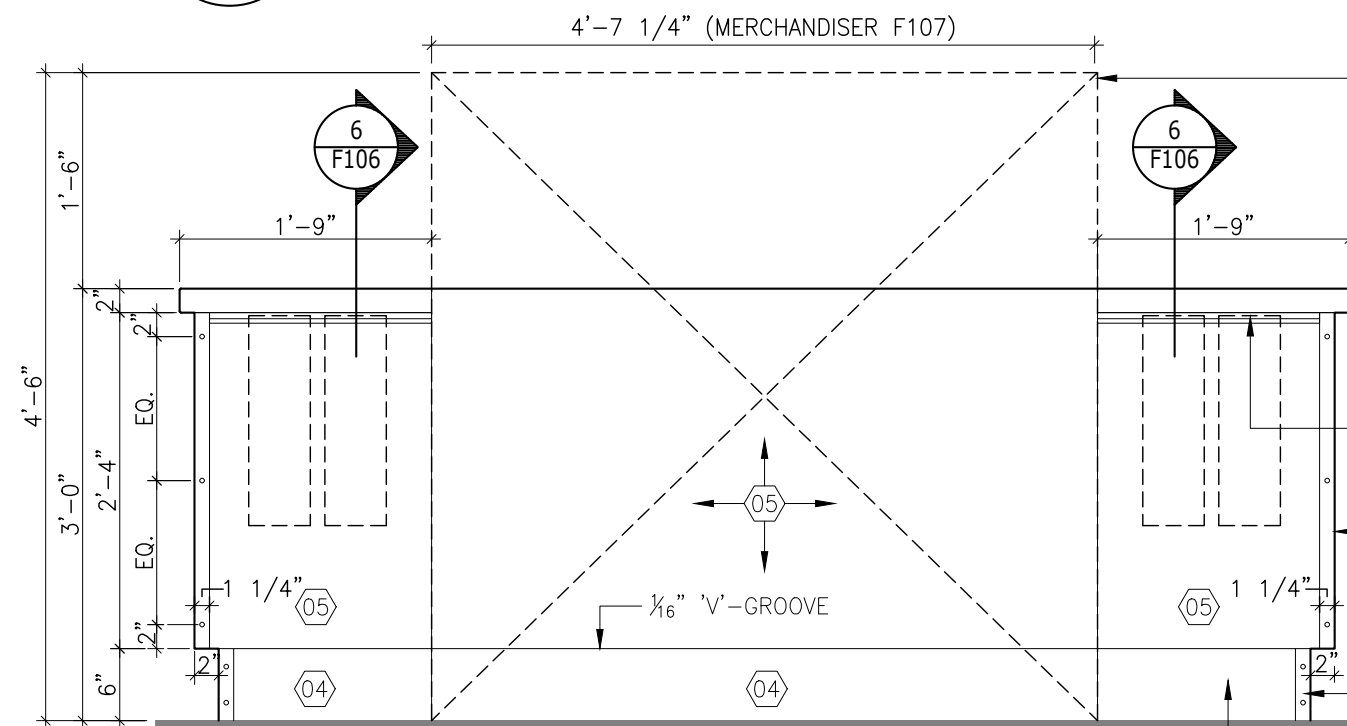
DIRECTION OF WOOD GRAIN TO
 RUN VERTICALLY (TYPICAL)

1 1/4" X 1 1/4" METAL CORNER
 GUARD FIN. NO. (55) SECURED W/
 2 COUNTERSUNK SCREWS

RECESSED BASE P. LAM. FIN. NO. (04)



2 ELEVATION
F106 3/4" = 1'-0"



3 ELEVATION
F106 3/4" = 1'-0"

DOTTED LINES OF CHECK-OUT
 MERCHANDISER, SEE DWG. #F108

BREAK-FORMED STAINLESS STEEL
 COUNTERTOP FIN. NO. (55) MILLWORK
 CONTRACTOR TO ENSURE ALL
 CORNERS AND EDGES ARE BUFFED
 SMOOTH

DIRECTION OF WOOD GRAIN TO
 RUN VERTICALLY (TYPICAL)

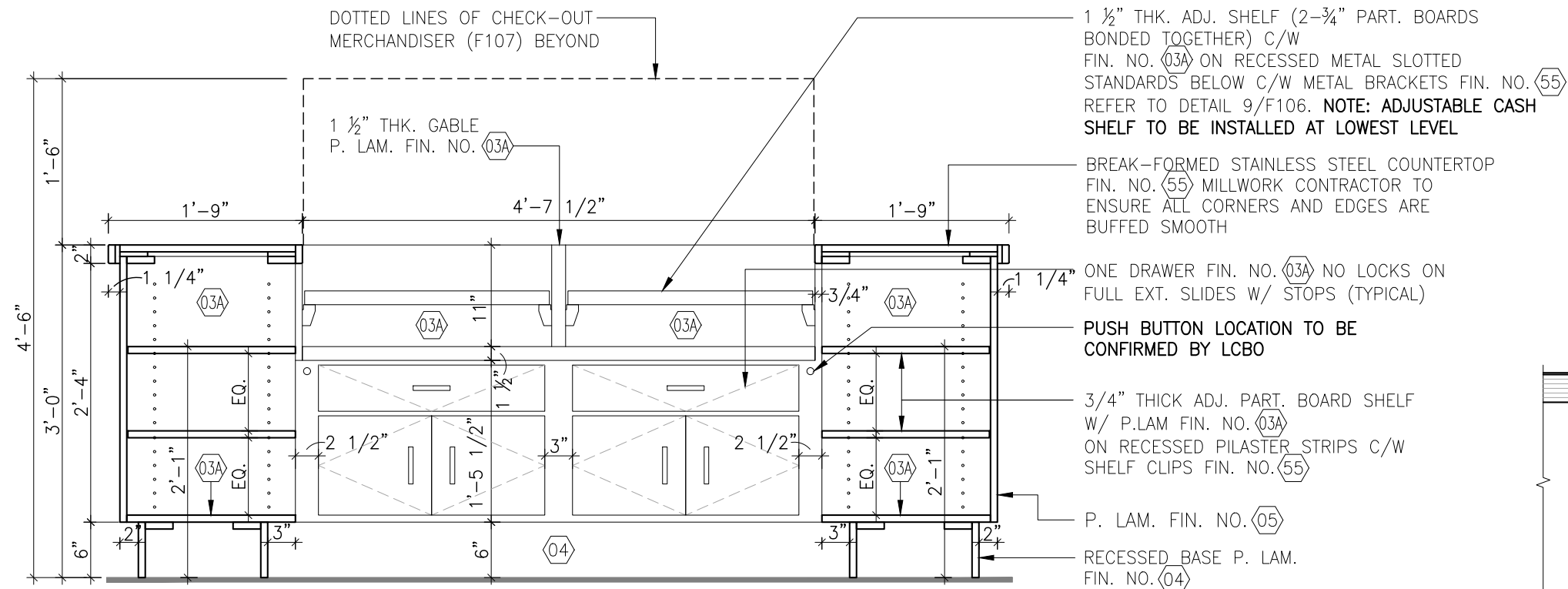
RECESSED CHANNEL FIN. NO. (55),
 SEE DETAIL 6/F106

1 1/4" X 1 1/4" METAL CORNER
 GUARD FIN. NO. (55) SECURED W/
 3 COUNTERSUNK SCREWS

1 1/4" X 1 1/4" METAL CORNER
 GUARD FIN. NO. (55) SECURED W/
 2 COUNTERSUNK SCREWS

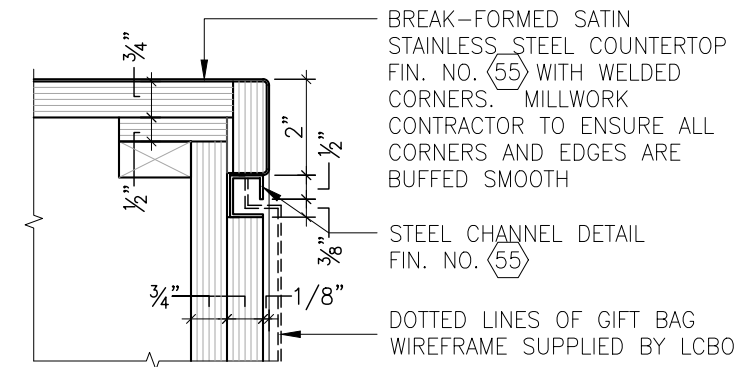
RECESSED BASE P. LAM.
 FIN. NO. (04)

LCBO	100 CHECK-OUT AREA/VESTIBULE	REVISION DATE	REV.	2 of 4	ISSUE DATE	STORE TYPE	STORE #
	'U'-SHAPED CASH DESK W/ BASKET WELL	2021 MAR	17	F106	2021 APR		



4 SECTIONAL-ELEVATION
F106 3/4" = 1'-0"

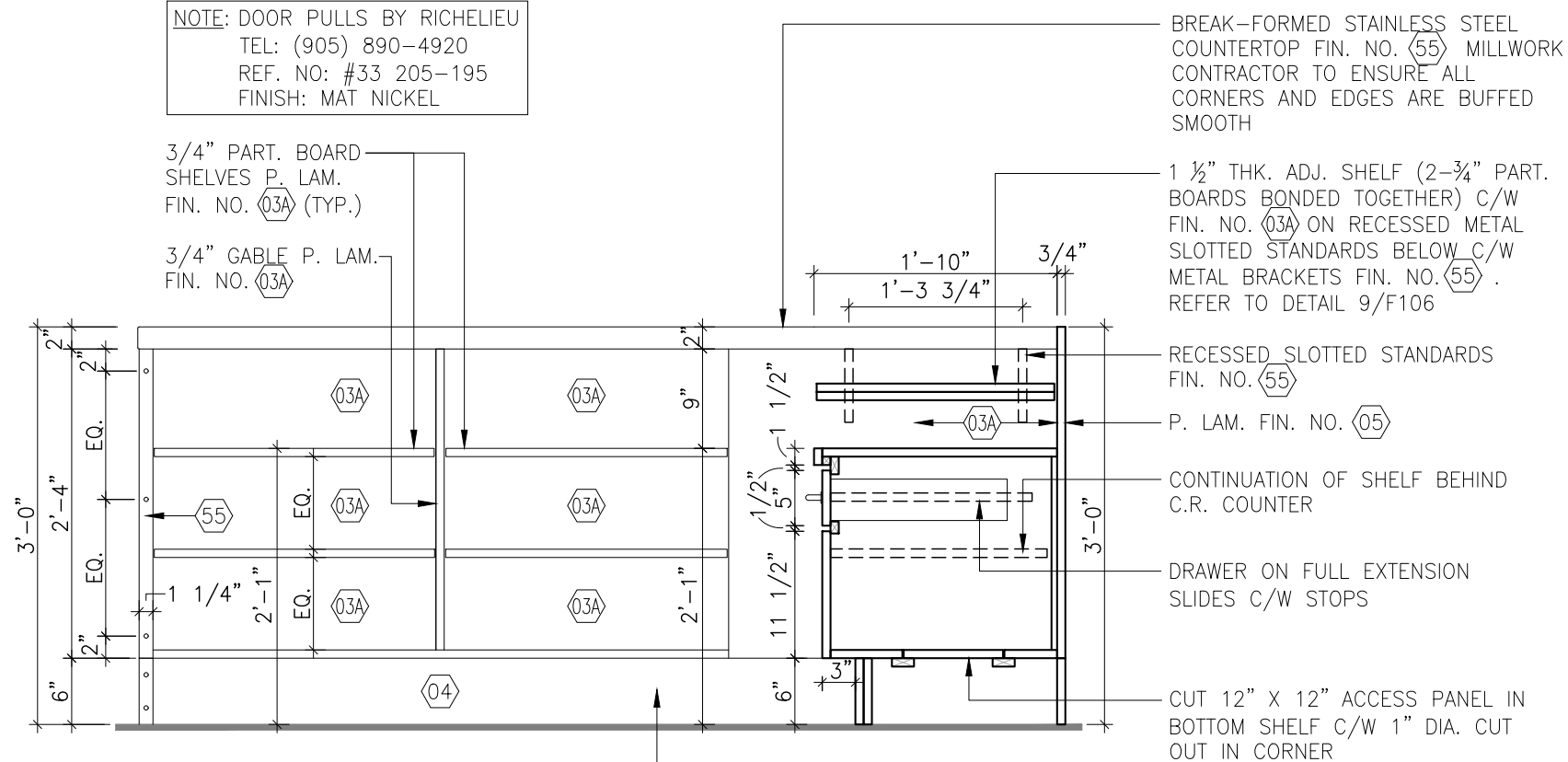
NO VISIBLE P. LAM. SEAMS PERMITTED



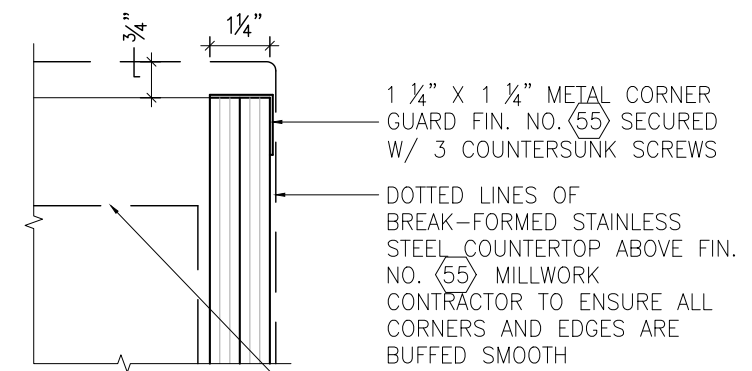
6 DETAIL
F106 3" = 1'-0"

MILLWORK CONTRACTOR TO OBTAIN SAMPLE OF WIREFRAME GIFT BAG PRIOR TO CONSTRUCTION

NOTE: DOOR PULLS BY RICHELIEU
TEL: (905) 890-4920
REF. NO: #33 205-195
FINISH: MAT NICKEL

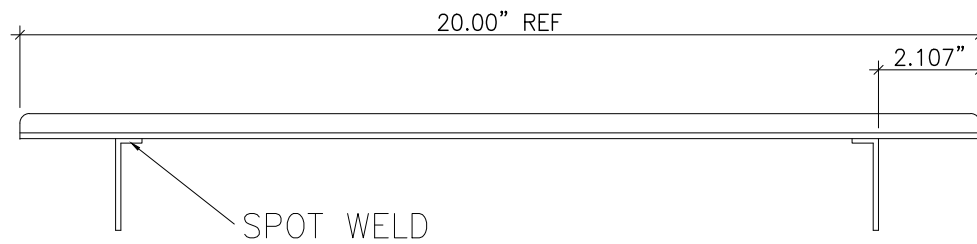
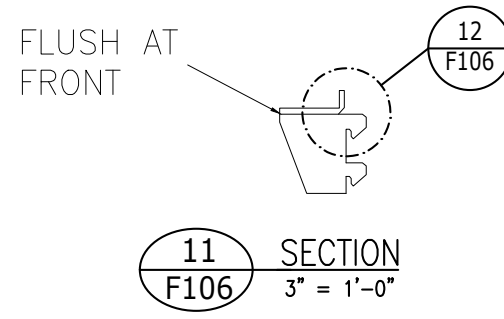
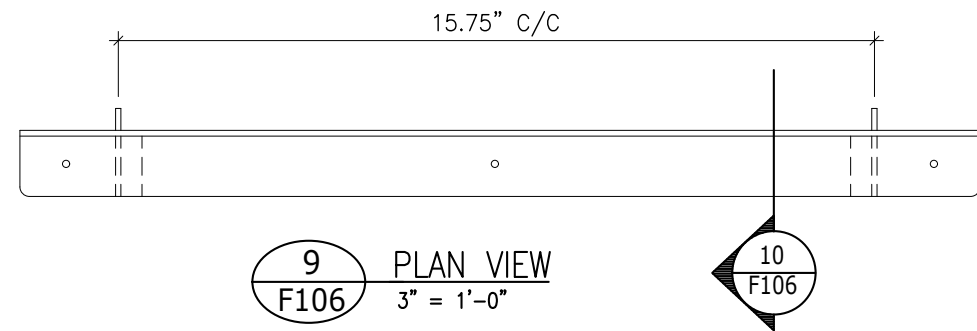


5 SECTIONAL-ELEVATION
F106 3/4" = 1'-0"



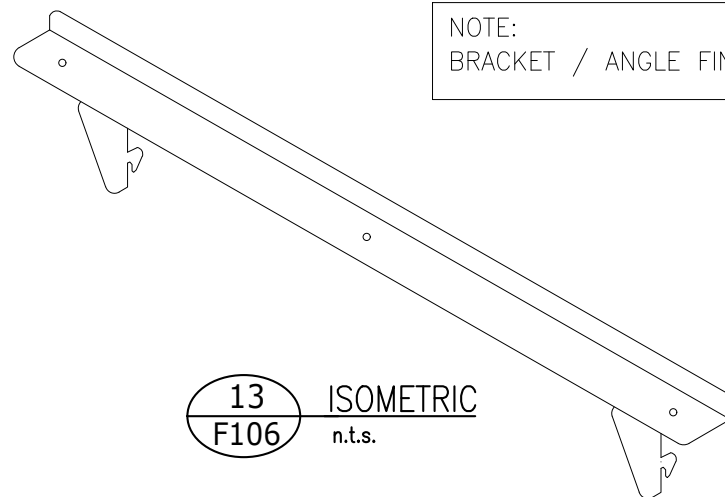
7 DETAIL
F106 3" = 1'-0"

LCBO	100 CHECK-OUT AREA/VESTIBULE	REVISION DATE	REV.	3 of 4	ISSUE DATE	STORE TYPE	STORE #
	'U'-SHAPED CASH DESK W/ BASKET WELL	2021 MAR	17	F106	2021 APR		

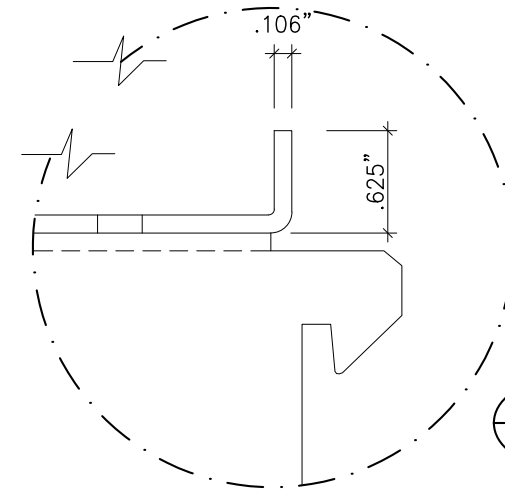


10 ELEVATION
F106 3" = 1'-0"

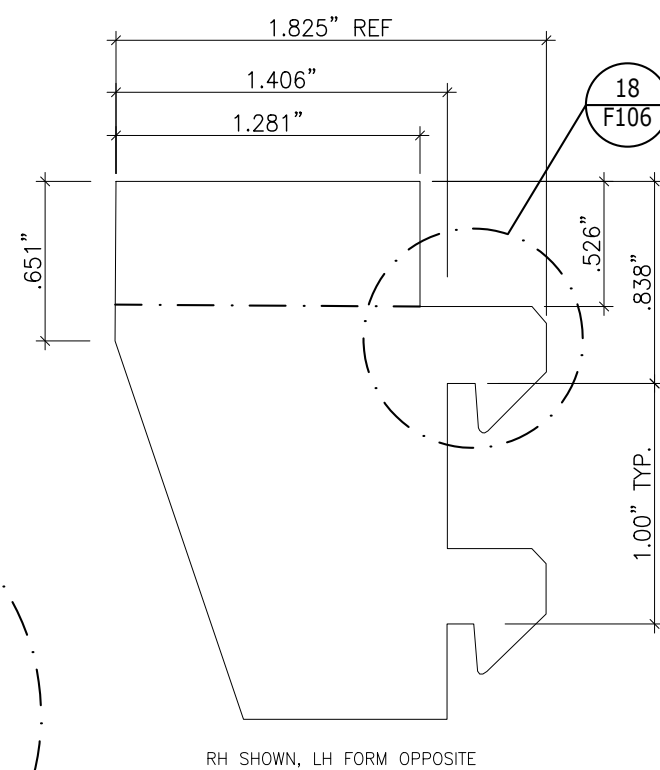
NOTE:
BRACKET / ANGLE FIN. NO. 55



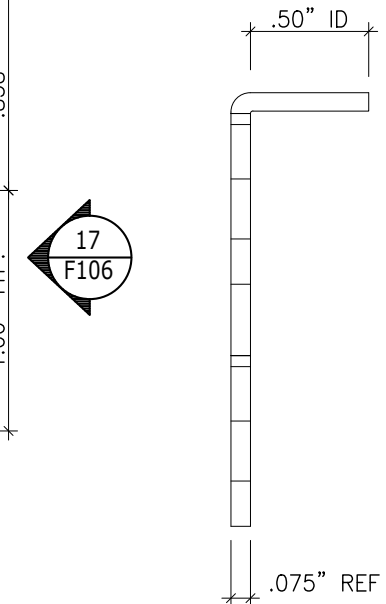
13 ISOMETRIC
F106 n.t.s.



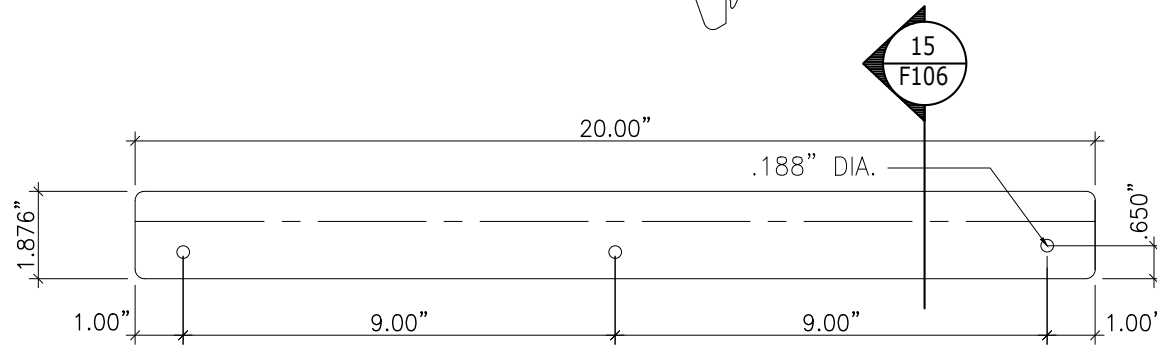
12 DETAIL
F106 n.t.s.



16 ELEVATION - SHELF BRACKET
F106 n.t.s.

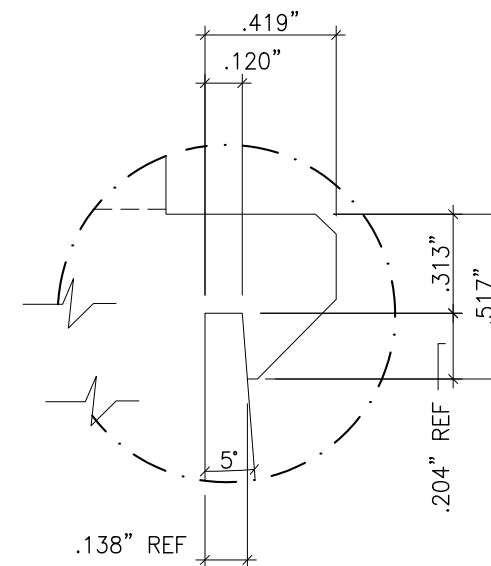


17 ELEVATION
F106 n.t.s.

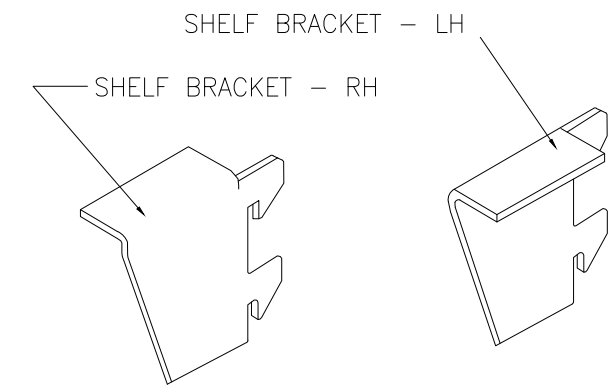


14 ELEVATION - SHELF ANGLE
F106 3" = 1'-0"

15 SECTION
F106 3" = 1'-0"



EQUIVALENT OF 1/2" SYSTEM HOOK
18 DETAIL
F106 n.t.s.



19 ISOMETRIC VIEWS
F106 n.t.s.

NOTE:
CASH REGISTER WEIGHT IS BETWEEN 60 LBS AND 80 LBS TOTAL.
FIXTURE CONTRACTOR TO ENSURE SHELF ANGLE/BACKET
PROVIDES SUFFICIENT SUPPORT AND STABILITY

LCBO	100 CHECK-OUT AREA/VESTIBULE	REVISION DATE	REV.	4 of 4	ISSUE DATE	STORE TYPE	STORE #
	'U'-SHAPED CASH DESK W/ BASKET WELL	2021 MAR	17	F106	2021 APR		

NOTE:
ALL SOLID WOOD GRADE TO BE FAS

NOTE:
MERCHANDISER TO BE SECURED TO CASH
DESK USING THRU-BOLTS (CONCEALED).
MILLWORK CONTRACTOR TO ENSURE
STABILITY AND CONCEAL ATTACHMENT.

ENSURE NO SHARP EDGES ON METAL WORK
- FILE SMOOTH AS REQ'D.

1 1/2" x 1 1/4" HARDWOOD EDGE FIN. NO. (28)

1/2" SLATWALL REVEAL FIN. NO. (55)
SEE DETAIL 6, DWG. F107

TYP. 200ml BOTTLE SHELF WITH WOOD MOULDINGS
FINISH NO (28) & PLASTIC LAMINATE SHELF NO (03A)
C/W 1/4" SQUARE RAILS FINISH NO (55) ON
HEAVY-DUTY METAL BRACKETS & STANDARDS.
MILLWORK CONTRACTOR TO ENSURE ALL SHELF
WIDTHS ARE EQUAL & ARE COORDINATED WITH
RECESSED METAL STANDARDS SPACING

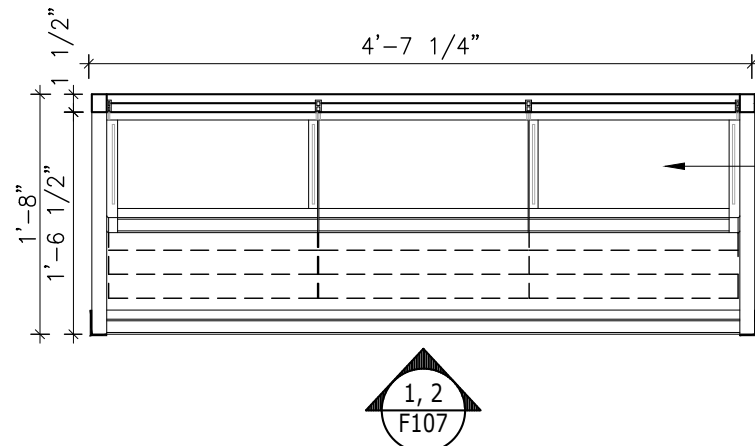
P. LAM. FIN. NO. (03A) TO BACK PANEL

HARDWOOD EDGE FIN. NO. (28)

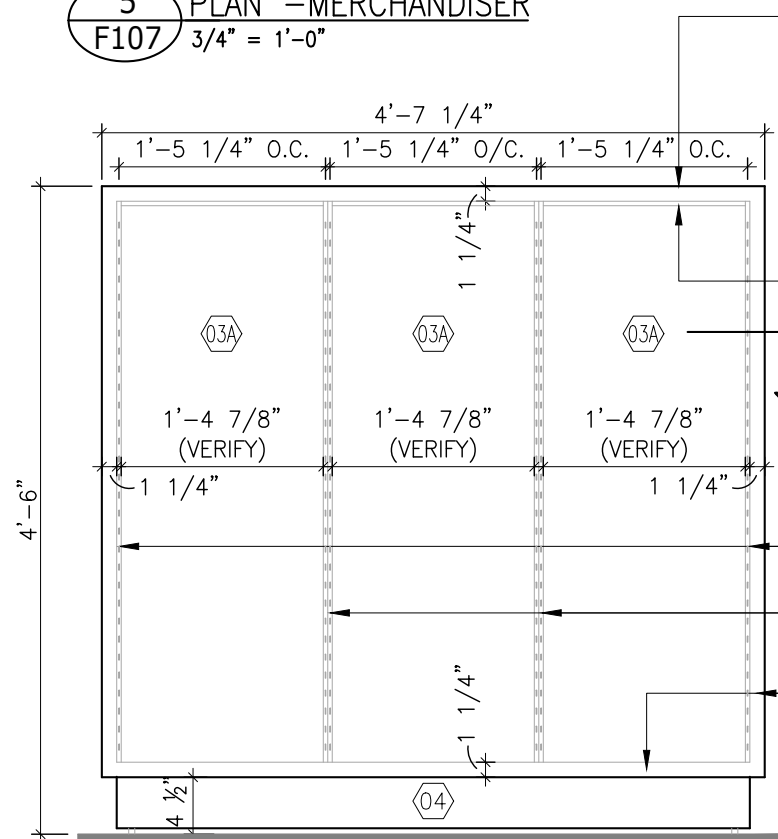
FIN. NO. (03A)

P. LAM. FIN. NO. (03A)

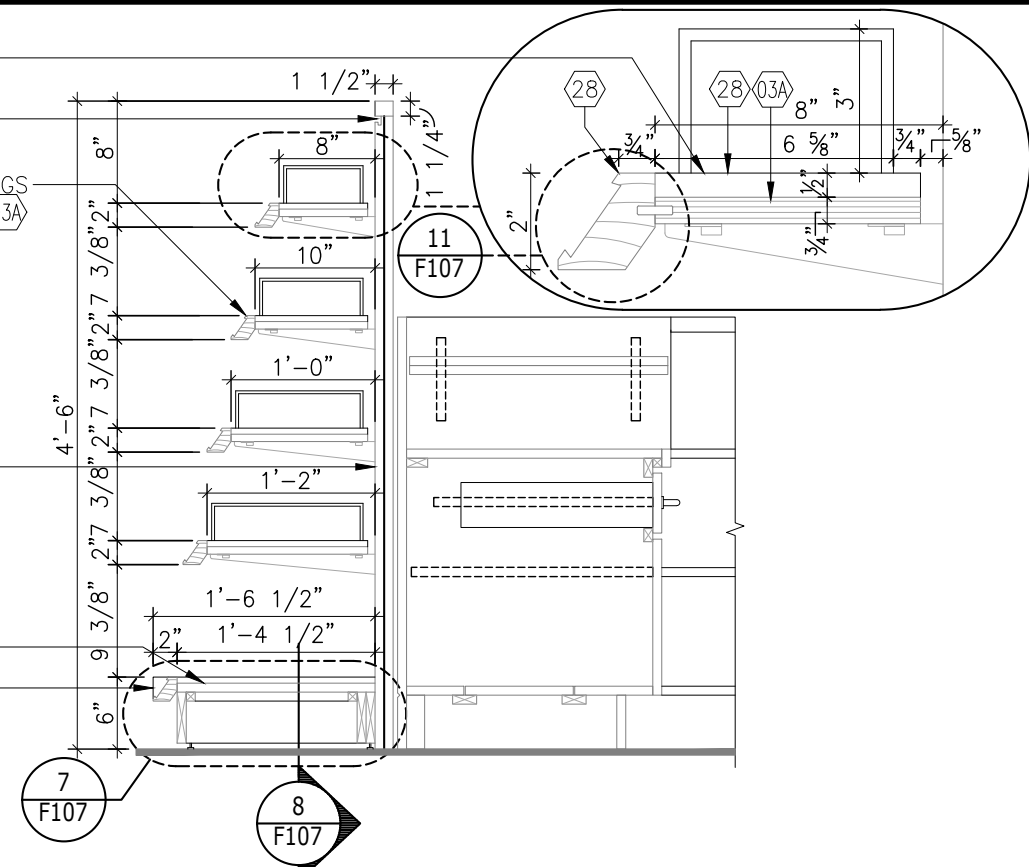
1 1/4" x 1 1/4" x 1 1/2" METAL, CORNER
GUARD FIN. NO. (55) TO BE FLUSH W/
WOOD FINISH, FIN. NO. (28) SCREW IN
PLACE. SCREWS TO BE COUNTERSUNK



5 PLAN - MERCHANDISER
F107 3/4" = 1'-0"



1 ELEVATION (W/O SHELVES)
F107 3/4" = 1'-0"



3 SECTION
F107 3/4" = 1'-0"

HARDWOOD EDGE FIN. NO. (28)

ACCESSORIES TRAY SHELF W/ WOOD MOULDINGS
FIN. NO. (28) & P. LAM SHELF FIN. NO. (03A) ON
HEAVY-DUTY METAL BRACKETS & STANDARDS.
MILLWORK CONTRACTOR TO ENSURE ALL SHELF
WIDTHS ARE EQUAL & ARE COORDINATED WITH
RECESSED METAL STANDARDS SPACING

1/2" SLATWALL REVEAL FIN. NO. (55)
SEE DETAIL 6 F107

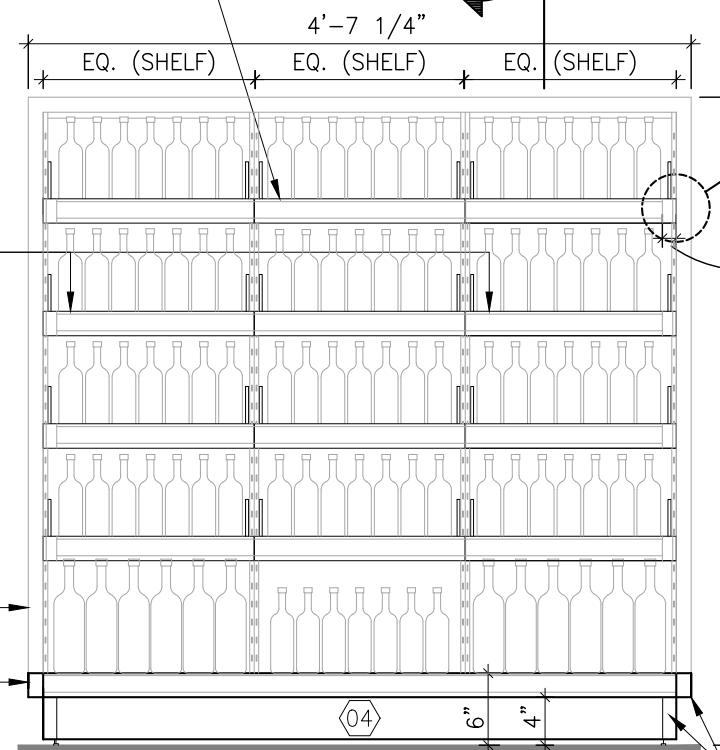
TYP. 200ml BOTTLE SHELF WITH WOOD MOULDINGS
FINISH NO (28) & PLASTIC LAMINATE SHELF NO (03A)
C/W 1/4" SQUARE RAILS FINISH NO (55) ON
HEAVY-DUTY METAL BRACKETS & STANDARDS.
MILLWORK CONTRACTOR TO ENSURE ALL SHELF
WIDTHS ARE EQUAL & ARE COORDINATED WITH
RECESSED METAL STANDARDS SPACING

HEAVY DUTY RECESSED METAL SINGLE-SLOTTED
STANDARDS FIN. NO. (55)

HEAVY DUTY RECESSED METAL SINGLE-SLOTTED
STANDARDS x 2 FIN. NO. (55)

HARDWOOD EDGE FIN. NO. (28)

1 1/4" x 1 1/4" x 1 1/2" METAL CORNER GUARD
FIN. NO. (55) TO BE FLUSH W/ WOOD FINISH,
FIN. NO. (28) SCREW IN PLACE. SCREWS TO BE
COUNTERSUNK



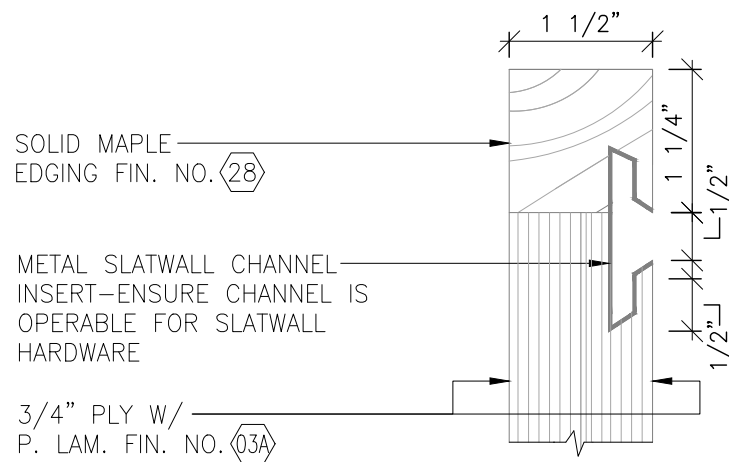
2 ELEVATION (W/ SHELVES)
F107 3/4" = 1'-0"

12 F107
TYPICAL AT
EACH SHELF

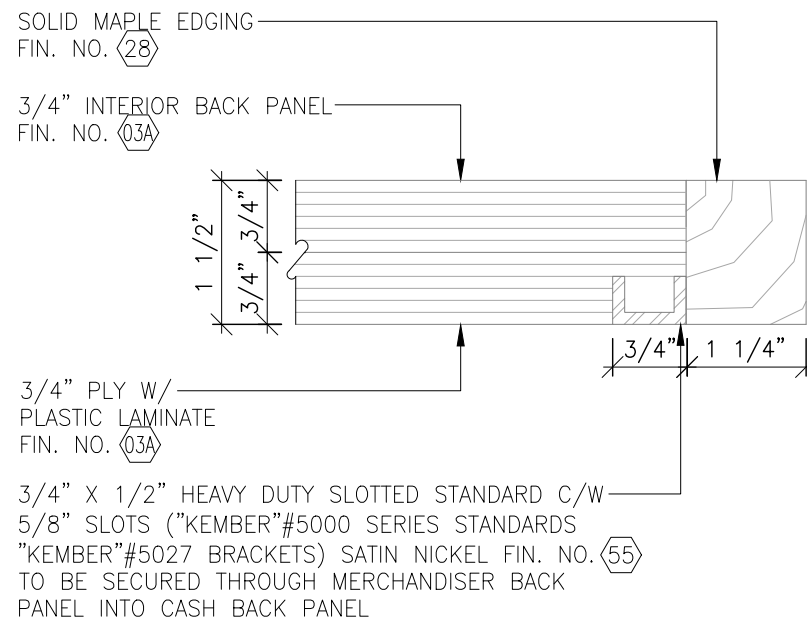
1 1/4" x 1 1/4"
METAL CORNER
GUARD FIN. NO. (55)

LCBO	100 CHECK-OUT AREA/VESTIBULE	REVISION DATE	REV.	1 of 2	ISSUE DATE	STORE TYPE	STORE #
	MERCHANDISER FOR U-SHAPED CASH DESK	2021 MAR	17	F107	2021 APR		

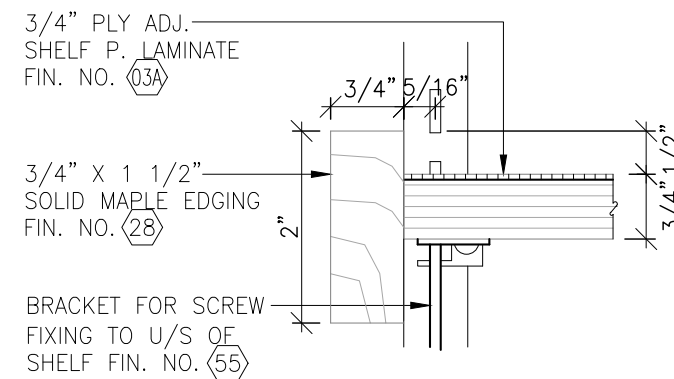
NOTE:
ALL SOLID WOOD GRADE TO BE FAS



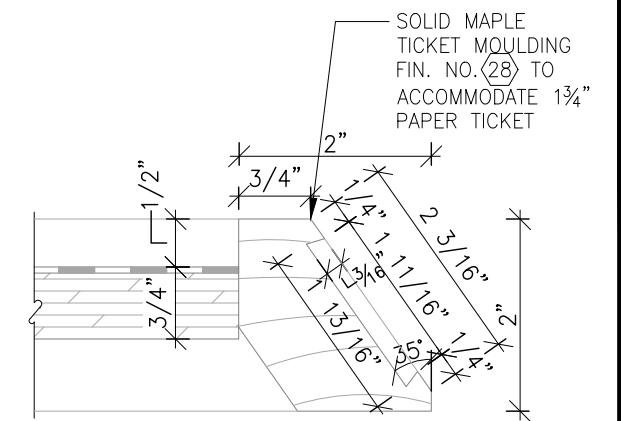
6 SECTION
F107 6"=1'-0"



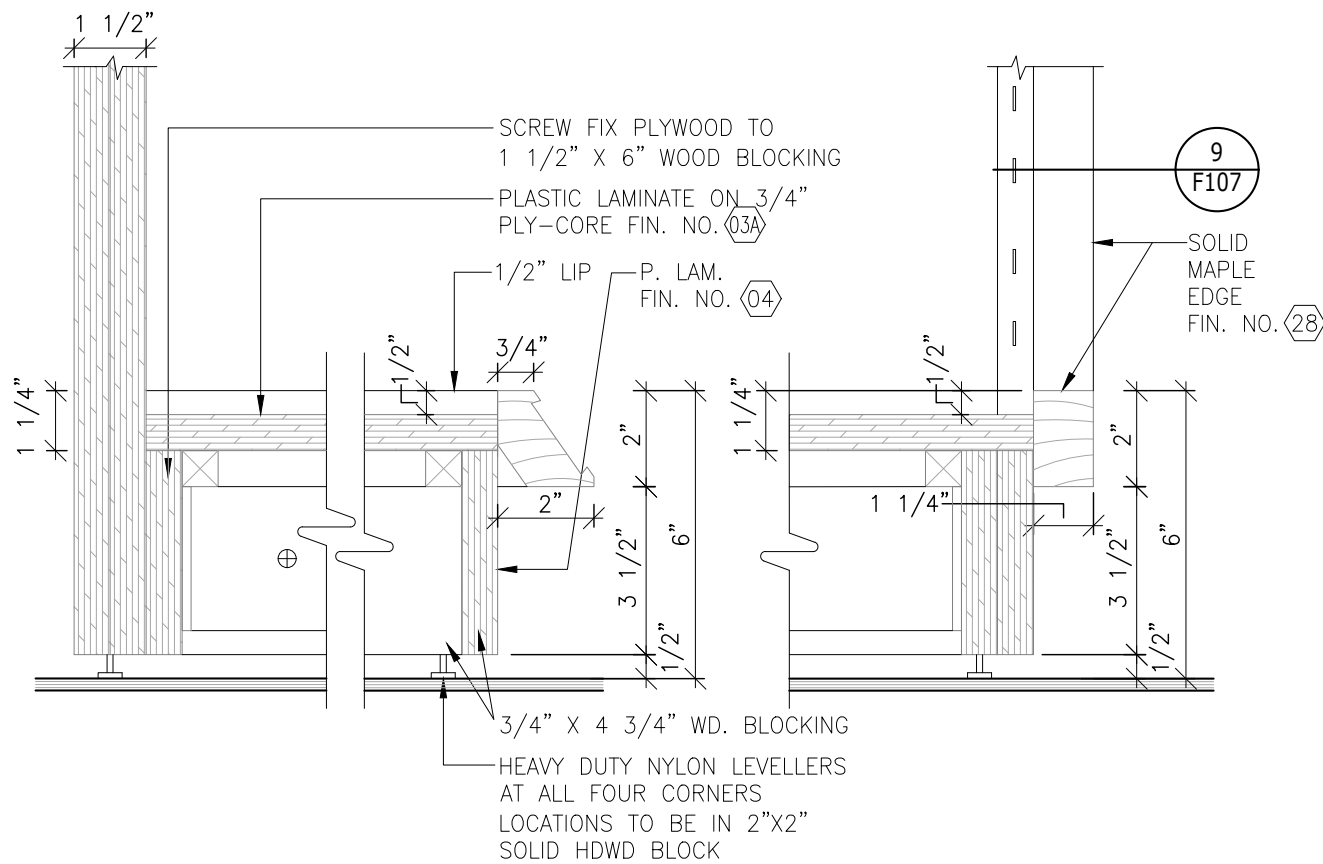
9 SECTION
F107 6"=1'-0"



10 SECTION
F107 6"=1'-0"

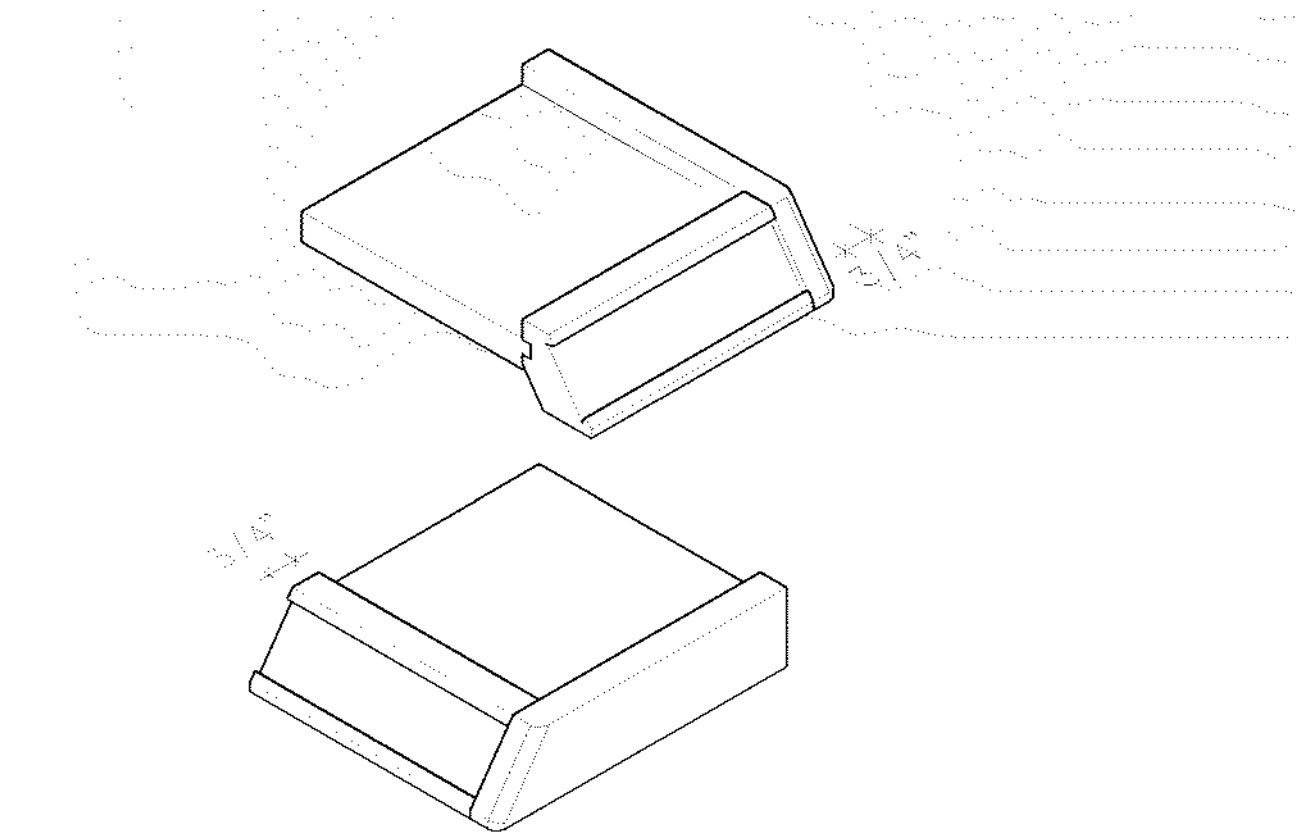


11 SECTION
F107 6"=1'-0"



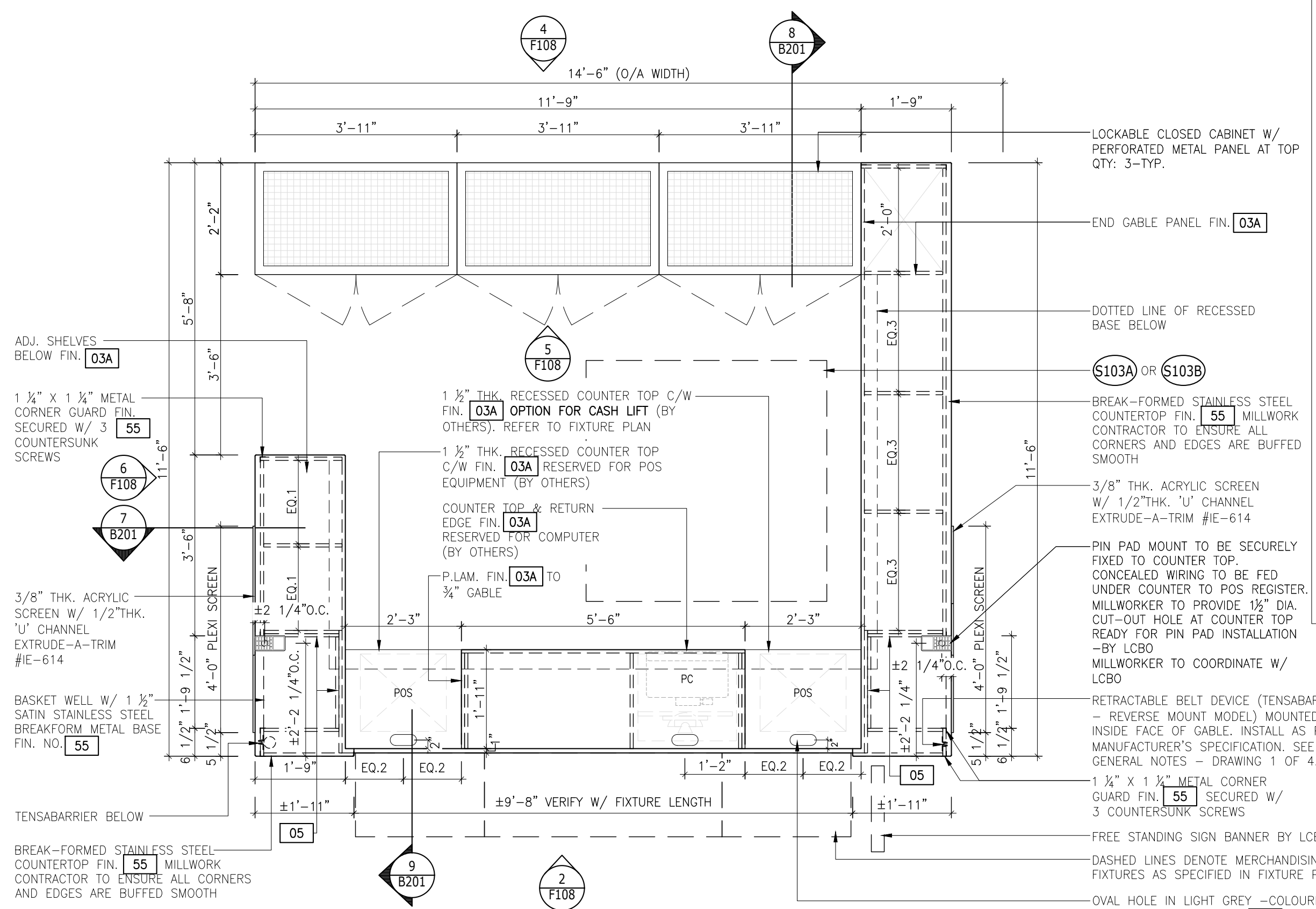
7 SECTION
F107 3" = 1'-0"

8 SECTION
F107 3" = 1'-0"



12 ISOMETRIC VIEWS - ANGLED WOOD BLOCK DETAIL
F107 AT ANGLED TICKET MOULDING

LCBO	100 CHECK-OUT AREA/VESTIBULE	REVISION DATE	REV.	2 of 2	ISSUE DATE	STORE TYPE	STORE #
	MERCHANDISER FOR U-SHAPED CASH DESK	2021 MAR	17	F107	2021 APR		



GENERAL NOTES:

- BASE & STRUCTURAL COMPONENTS TO BE 3/4" PLYWOOD CONSTRUCTION WITH DESIGNATED FINISH.
- DRAWERS TO BE CONSTRUCTED OF SOLID 1/2" BALTIC BIRCH W/ CLEAR LACQUER FINISH.
- ALL OTHER CONSTRUCTION TO BE 3/4" PARTICLE BOARD WITH DESIGNATED FINISH UNLESS NOTED OTHERWISE.
- ALL EDGES & CORNERS OF SATIN STAINLESS STEEL COUNTERTOP TO BE WELDED AND BUFFED SMOOTH.
- ALL SCREWS IN METAL CORNER GUARDS TO MATCH FINISH OF CORNER GUARD/TRIM AND BE COUNTERSUNK. ALL SHARP EDGES TO BE MADE SMOOTH TO ENSURE SAFETY OF CUSTOMERS AND STAFF.
- MILLWORK CONTRACTOR TO SUPPLY AND INSTALL TENSABARRIER DEVICE AT SIDE OF CASH/CHECK OUT DESK. MILLWORK CONTRACTOR TO SUPPLY AND INSTALL TENSABARRIER AS PER MANUFACTURERS SPECIFICATIONS AND LCBO SPECIFICATION - 10 90 00. MILLWORK CONTRACTOR TO PROVIDE CUT OUT AT GABLE AND MOUNT HARDWARE AS PER SPECIFICATIONS. MILLWORK CONTRACTOR WILL ASSUME RESPONSIBILITY FOR CUT OUT SIZE AND LOCATION. MILLWORK CONTRACTOR TO INDICATE PROPOSED DETAILS/CUT OUT LOCATION ON SHOP DRAWING SUBMITTAL FOR FINAL APPROVAL PRIOR TO FABRICATION
- NO VISIBLE P. LAM. SEAMS PERMITTED.

HARDWARE:

DOOR PULLS BY RICHELIEU
 TEL: (905) 890-4920
 REF. NO: #33 205-195
 FINISH: MAT NICKEL

LOCK BY HAFELE
 LOCK CORE: 210.04.615 (POLISHED NICKLE)
 CAM BODY LOCK: 235.08.303
 CYLINDER ROSETTE: 210.04.062
NOTE: LOCK TO BE KEY ALIKE.

SHOPPING BASKETS
 BY CART SOURCE MODEL: PHB32
 SIZE: 20" L. x 13.5" W. x 10" H.

1 PLAN
 F108 1/2" = 1'-0"

LCBO	B100 CHECK-OUT AREA/VESTIBULE	REVISION DATE	REV.	1 OF 7	ISSUE DATE	STORE TYPE	STORE #
	ORDER PICK-UP KIOSK DESK	2021 MAR	17	F108	2021 APR		

BREAK-FORMED STAINLESS STEEL COUNTERTOP FIN. 55 MILLWORK CONTRACTOR TO ENSURE ALL CORNERS AND EDGES ARE BUFFED SMOOTH

COUNTER FACE FIN. 05

1 1/4" X 1 1/4" METAL CORNER GUARD FIN. 55 SECURED W/ 3 COUNTERSUNK SCREWS AT COUNTER EDGE AND 2 SCREWS AT BASE

RECESSED BASE FIN. 04

DASHED LINE DENOTES FILLER REQUIRED DUE TO COUNTER OVERHANG

4 ELEVATION
F108 1/2" = 1'-0"

BACK SIDES OF LOCKABLE CABINET TO RECEIVE GRAPHICS - BY OTHERS MILLWORKER TO ENSURE NO GAP/BUTT JOINTED IN BETWEEN CABINET FOR SMOOTH CONTINUOUS GRAPHICS APPLICATION.

RECESSED BASE FIN. 04

1 1/4" X 1 1/4" METAL CORNER GUARD FIN. 55 SECURED W/ 2 COUNTERSUNK SCREWS

5 SECTIONAL-ELEVATION
F108 1/2" = 1'-0"

DASHED LINE DENOTES FILLER REQUIRED DUE TO COUNTER OVERHANG

LOCKABLE CLOSED CABINET W/ PERFORATED METAL PANEL AT TOP QTY: 3-TYP.
NOTE:
1. PROVIDE ADJUSTABLE SHELVES ON RECESSED PILASTER STRIPS. MILLWORKER TO ENSURE ADEQUATE SUPPORT WITHIN GABLES TO HOLD PRODUCTS WITHOUT HAVING BENDED SHELVES
2. DOOR PULLS BY RICHELIEU -TYP. MODEL NO: #33 205-195 FIN. MAT NICKEL
3. PROVIDE LOCKS W/ KEYED ALIKE. REFER TO PG. 1 FOR SPECS

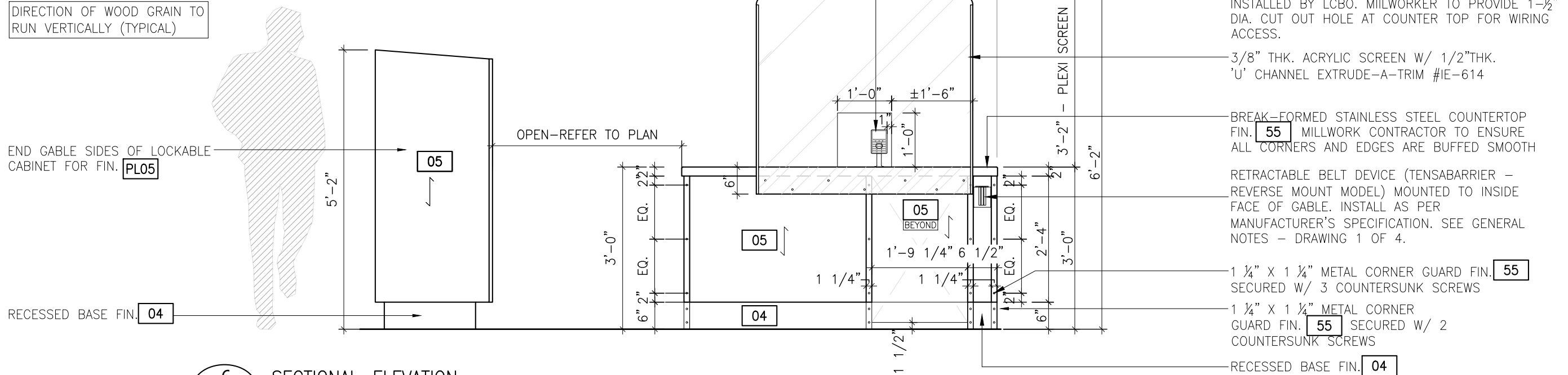
BREAK-FORMED STAINLESS STEEL COUNTERTOP FIN. 55 MILLWORK CONTRACTOR TO ENSURE ALL CORNERS AND EDGES ARE BUFFED SMOOTH

COUNTER FACE FIN. 05

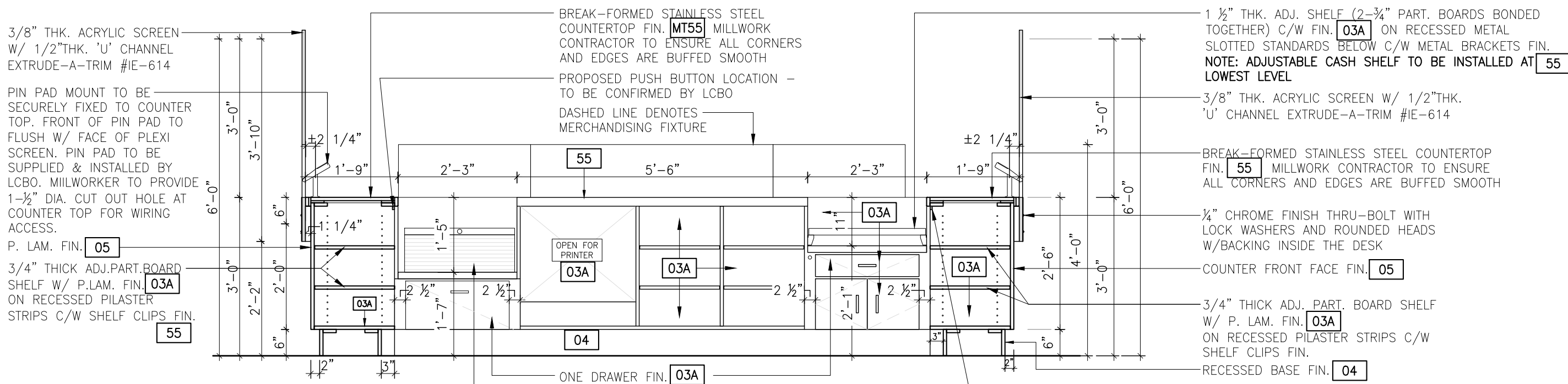
RECESSED BASE FIN. 04

LCBO	F100 CHECK-OUT AREA/VESTIBULE	REVISION DATE	REV.	3 OF 7	ISSUE DATE	STORE TYPE	STORE #
	ORDER PICK-UP KIOSK DESK	2021 MAR	17	F108	2021 APR		

DIRECTION OF WOOD GRAIN TO RUN VERTICALLY (TYPICAL)

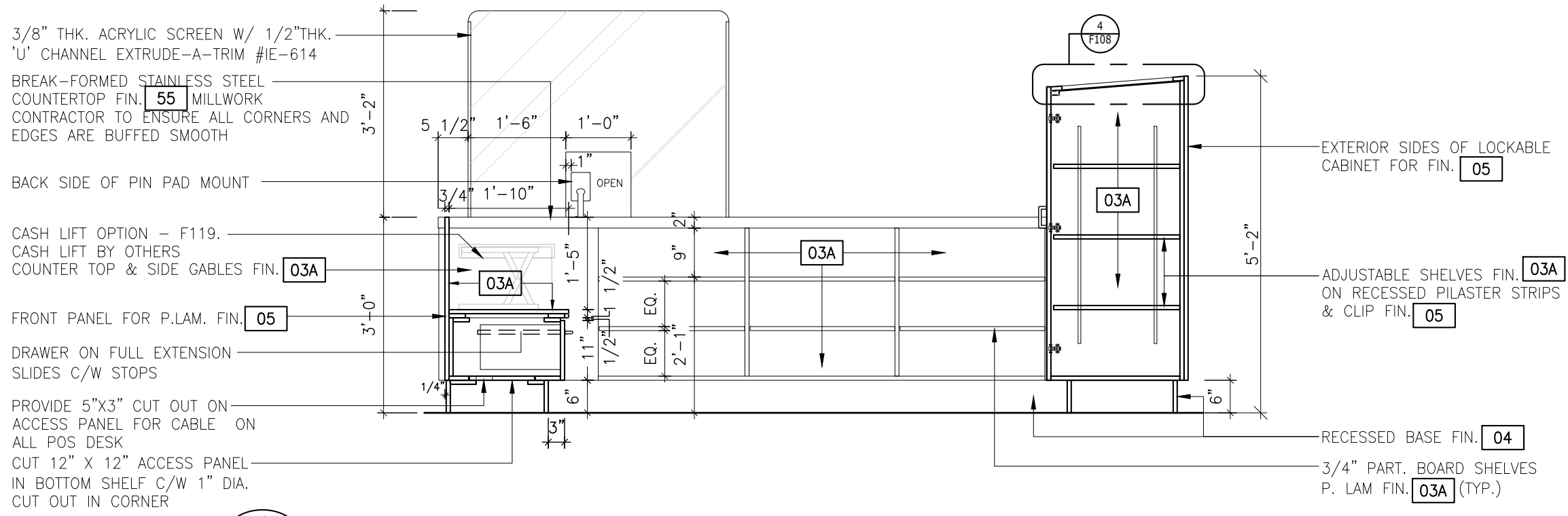


6 SECTIONAL-ELEVATION
F108 1/2" = 1'-0"

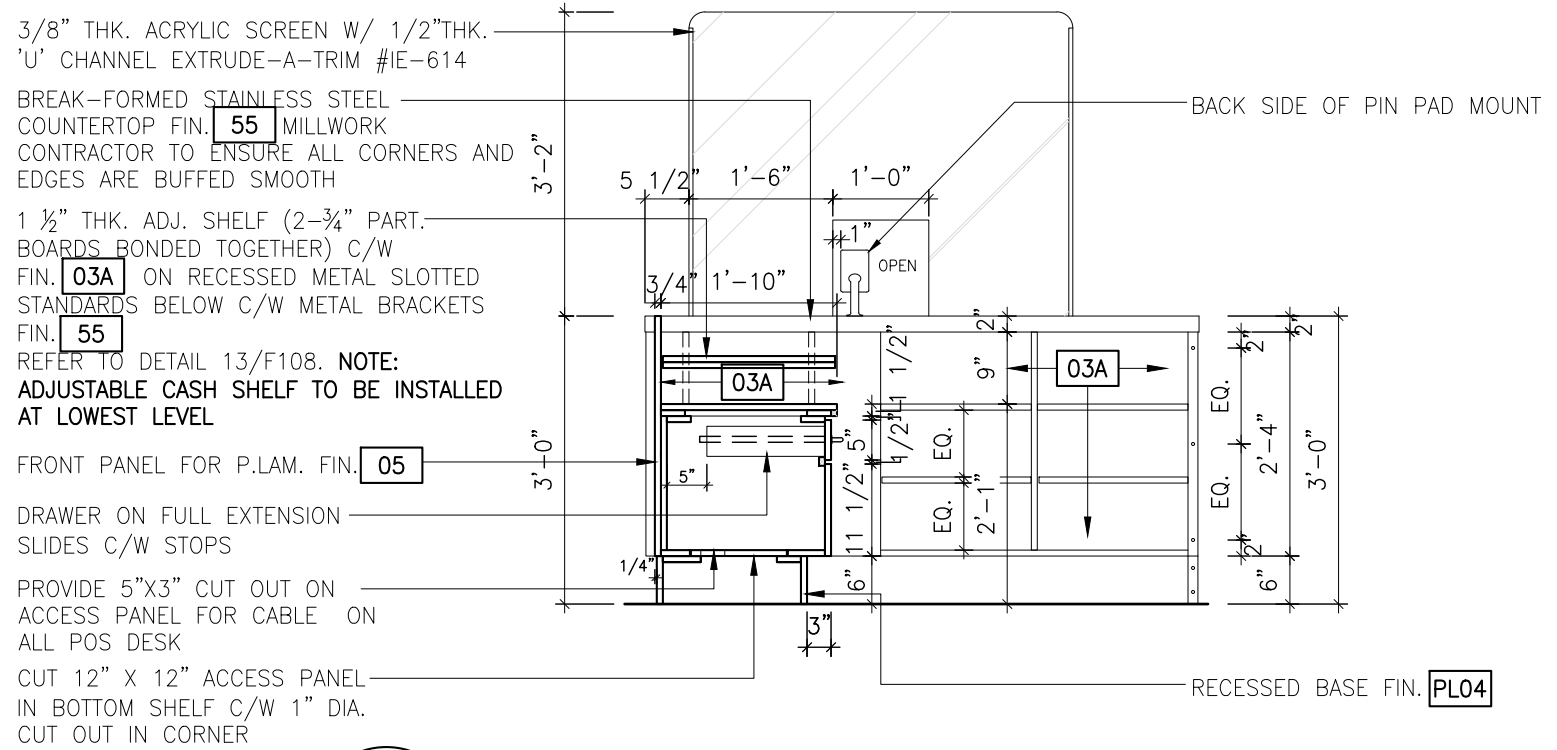


7 SECTIONAL-ELEVATION
F108 1/2" = 1'-0"

LCBO	F100 CHECK-OUT AREA/VESTIBULE	REVISION DATE	REV.	4 OF 7	ISSUE DATE	STORE TYPE	STORE #
	ORDER PICK-UP KIOSK DESK	2021 MAR	17	F108	2021 APR		

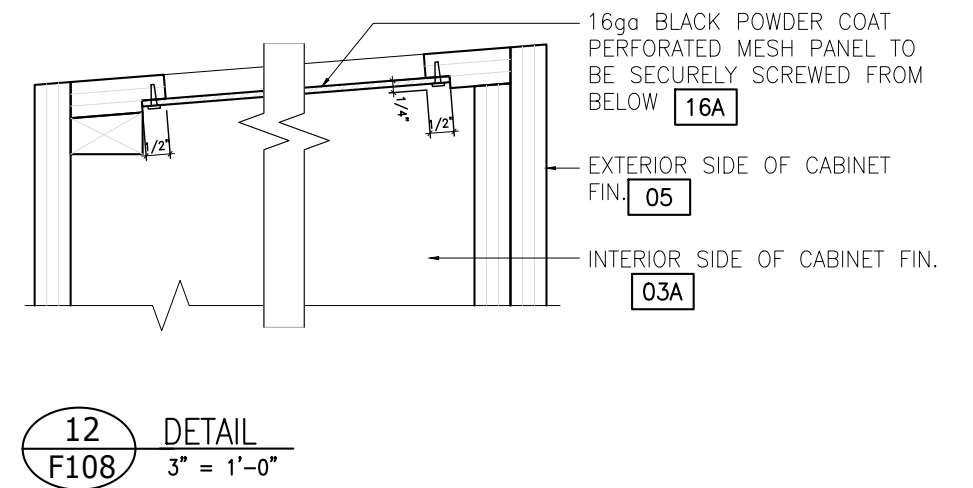
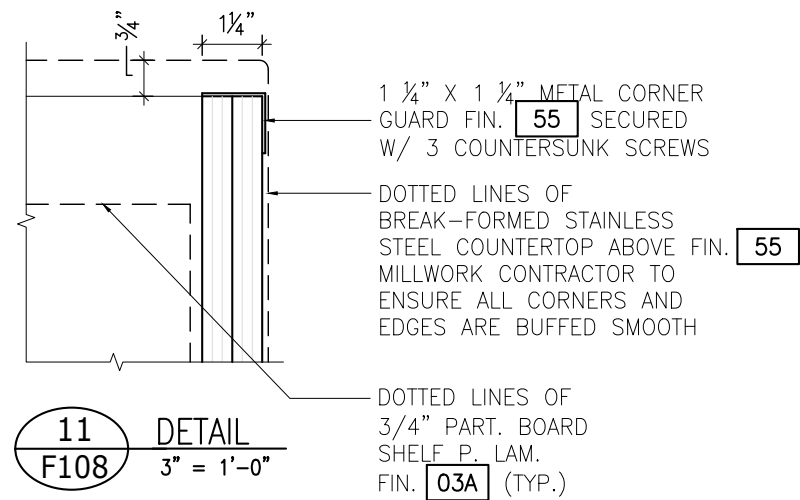
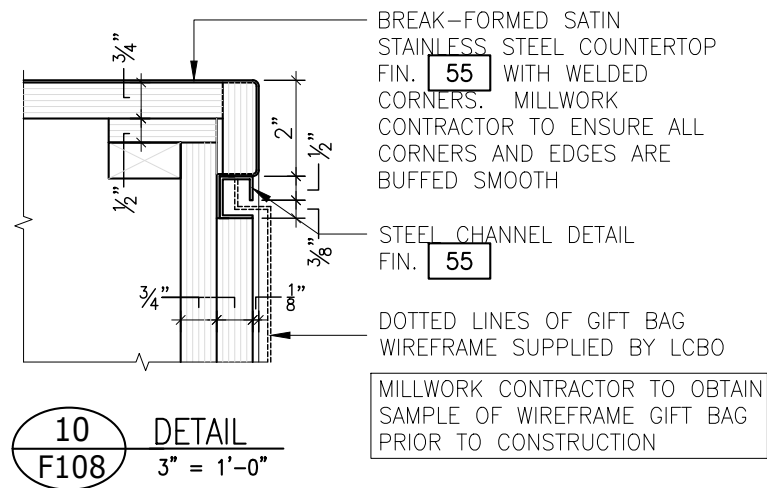


8 SECTIONAL-ELEVATION
F108 1/2" = 1'-0"

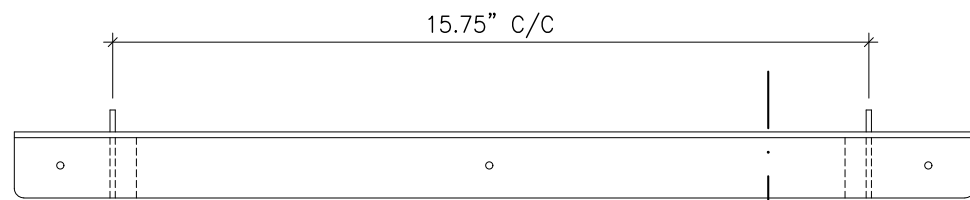


9 SECTIONAL-ELEVATION
F108 1/2" = 1'-0"

LCBO	F100 CHECK-OUT AREA/VESTIBULE	REVISION DATE	REV.	5 OF 7	ISSUE DATE	STORE TYPE	STORE #
	SAME DAY PICK-UP KIOSK DESK	2021 MAR	17	F108	2021 APR		



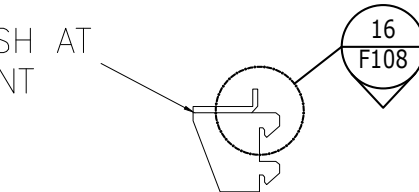
LCBO	F100 CHECK-OUT AREA/VESTIBULE	REVISION DATE	REV.	6 OF 7	ISSUE DATE	STORE TYPE	STORE #
	ORDER PICK-UP KIOSK DESK	2021 MAR	17	F108	2021 APR		



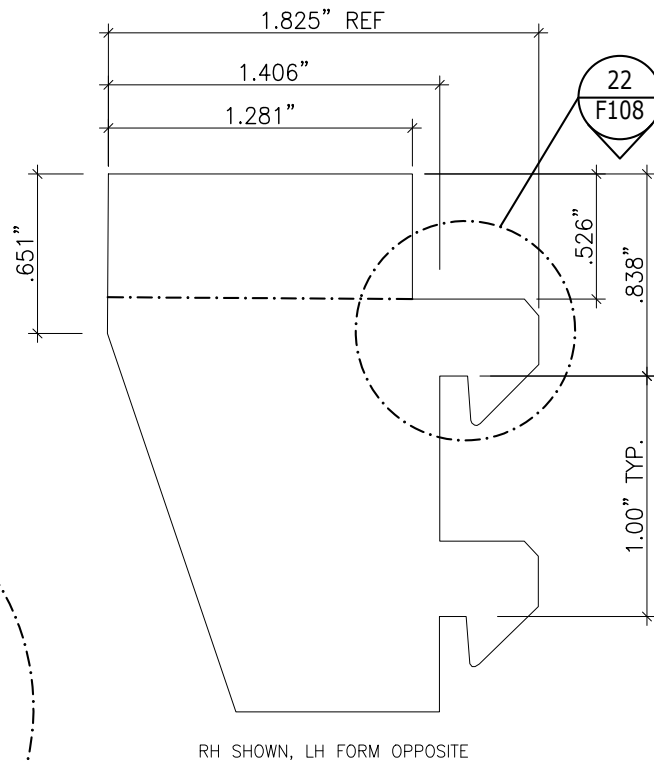
13
F108 PLAN VIEW
3" = 1'-0"

14
F108

FLUSH AT FRONT

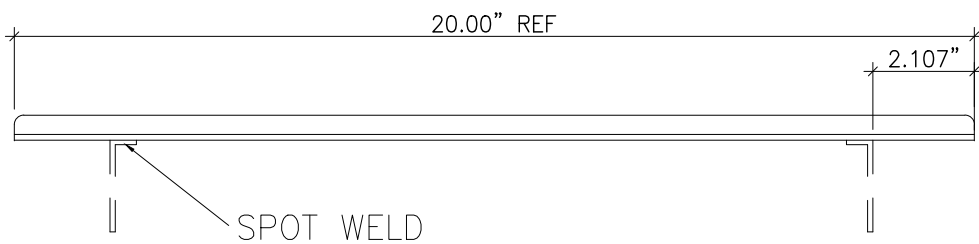


15
F108 SECTION
3" = 1'-0"



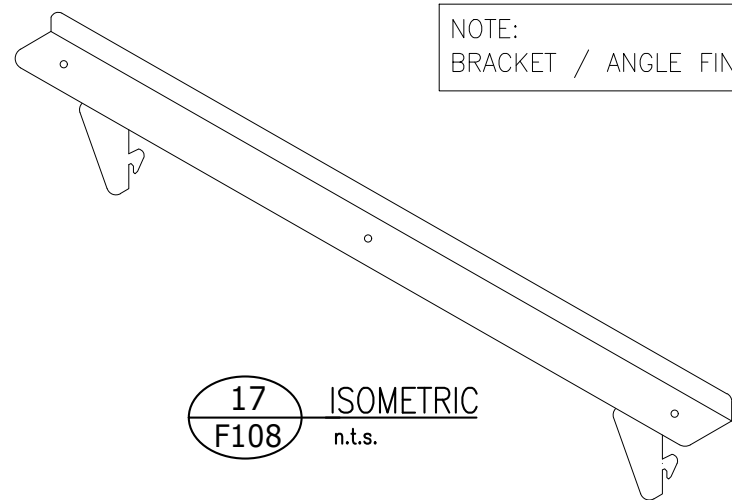
20
F108 ELEVATION - SHELF BRACKET
n.t.s.

21
F108

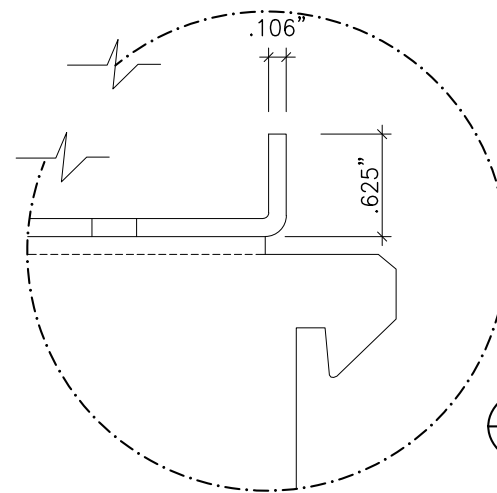


14
F108 ELEVATION
3" = 1'-0"

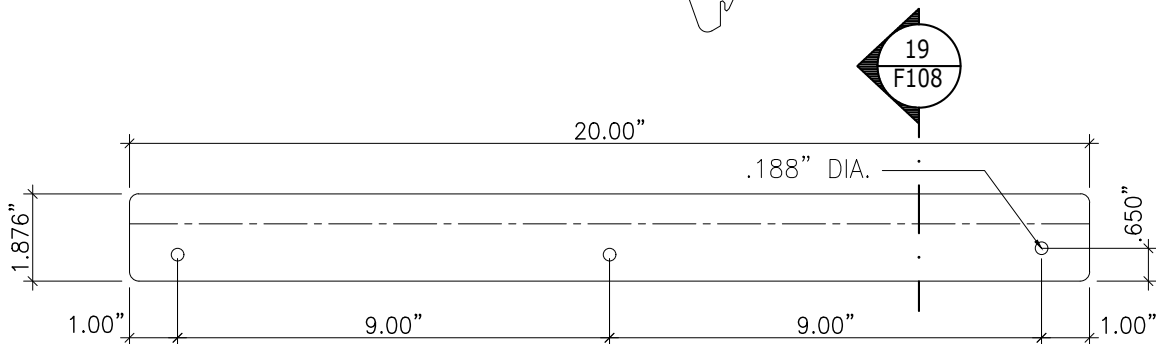
NOTE:
BRACKET / ANGLE FIN. **55**



17
F108 ISOMETRIC
n.t.s.



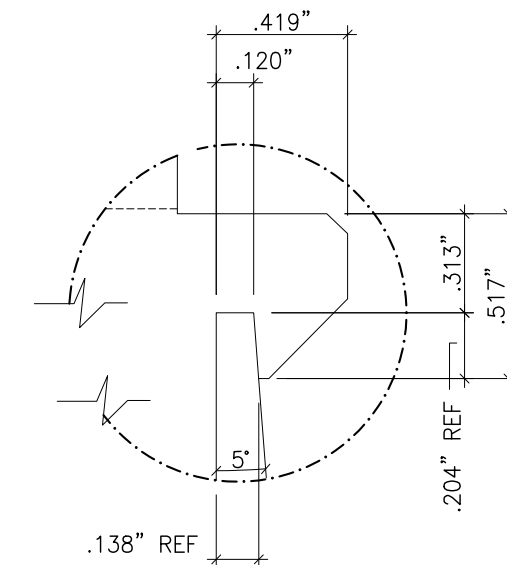
16
F108 DETAIL
n.t.s.



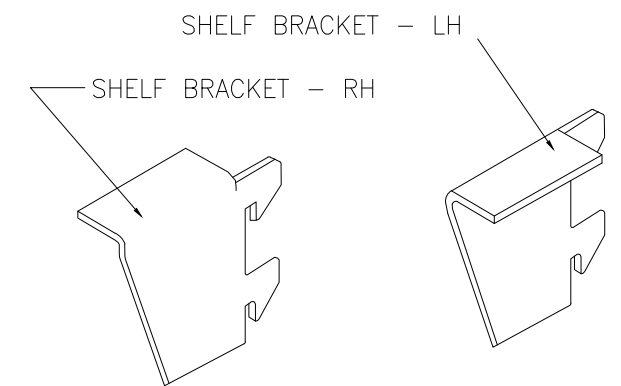
18
F108 ELEVATION - SHELF ANGLE
3" = 1'-0"

19
F108

19
F108 SECTION
3" = 1'-0"



EQUIVALENT OF 1/2" SYSTEM HOOK
22
F108 DETAIL
n.t.s.



23
F108 ISOMETRIC VIEWS
n.t.s.

NOTE:
CASH REGISTER WEIGHT IS BETWEEN 60 LBS AND 80 LBS TOTAL.
FIXTURE CONTRACTOR TO ENSURE SHELF ANGLE/BRACKET
PROVIDES SUFFICIENT SUPPORT AND STABILITY

LCBO	F100 CHECK-OUT AREA/VESTIBULE	REVISION DATE	REV.	7 OF 7	ISSUE DATE	STORE TYPE	STORE #
	ORDER PICK-UP KIOSK DESK	2021 MAR	17	F108	2021 APR		

3/8" THK. ACRYLIC SCREEN W/
1/2"THK. 'U' CHANNEL
EXTRUDE-A-TRIM #IE-614

CUT 3" Ø ACCESS HOLE AT
LOWER REAR OF INSIDE
VERTICAL SUPPORT GABLE

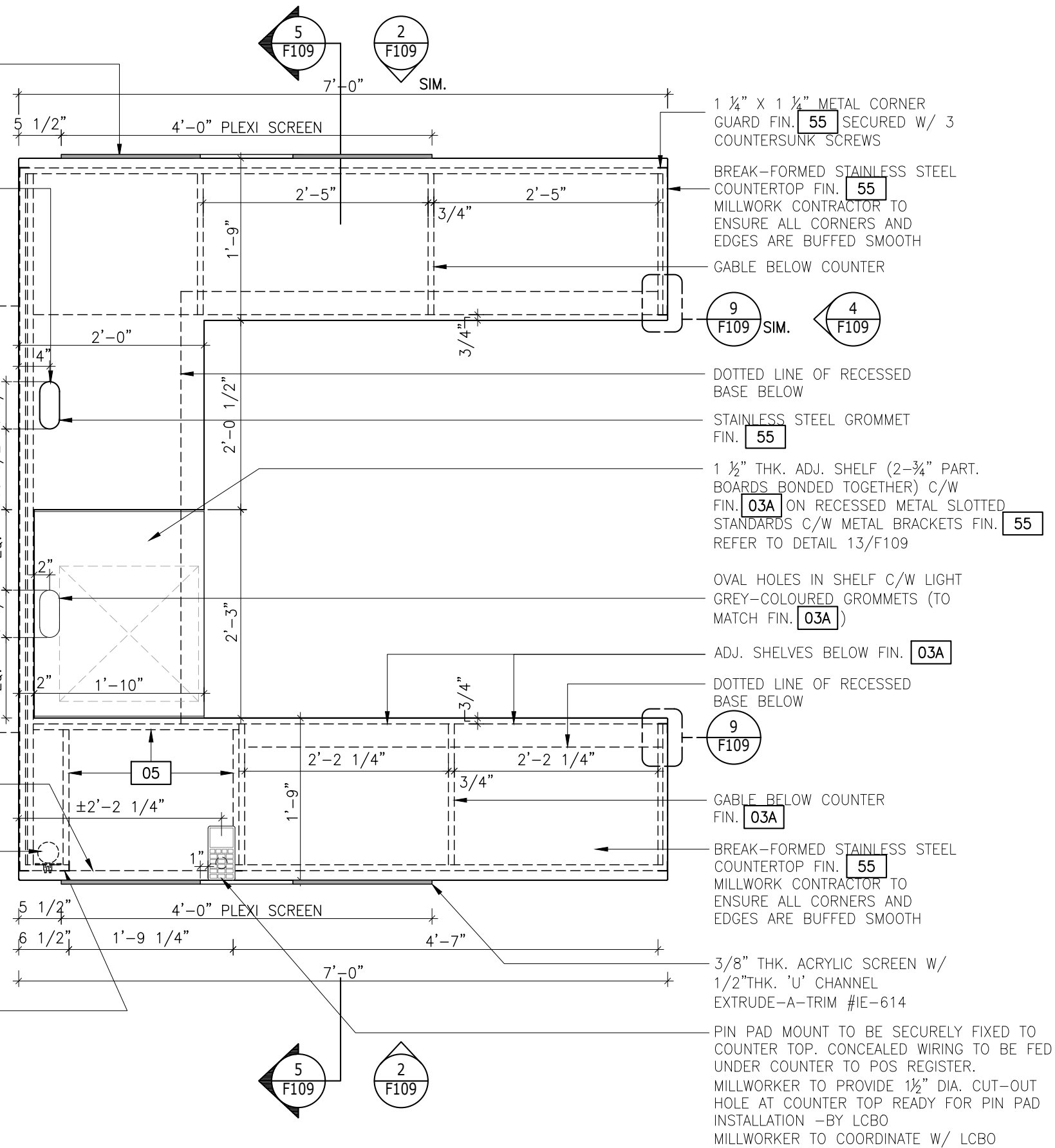
DOTTED LINES OF
CHECK-OUT MERCHANDISER,
SEE DWG. #F107

LINE OF SATIN
STAINLESS STEEL
BASE BEYOND FIN. 55

RETRACTABLE BELT DEVICE
(TENSABARRIER - REVERSE
MOUNT MODEL) MOUNTED TO
INSIDE FACE OF GABLE.
INSTALL AS PER
MANUFACTURER'S
SPECIFICATION. SEE GENERAL
NOTES - DRAWING 1 OF 4.

1 1/4" X 1 1/4" METAL CORNER
GUARD FIN. 55 SECURED W/ 3
COUNTERSUNK SCREWS

1 PLAN
F109 3/4" = 1'-0"

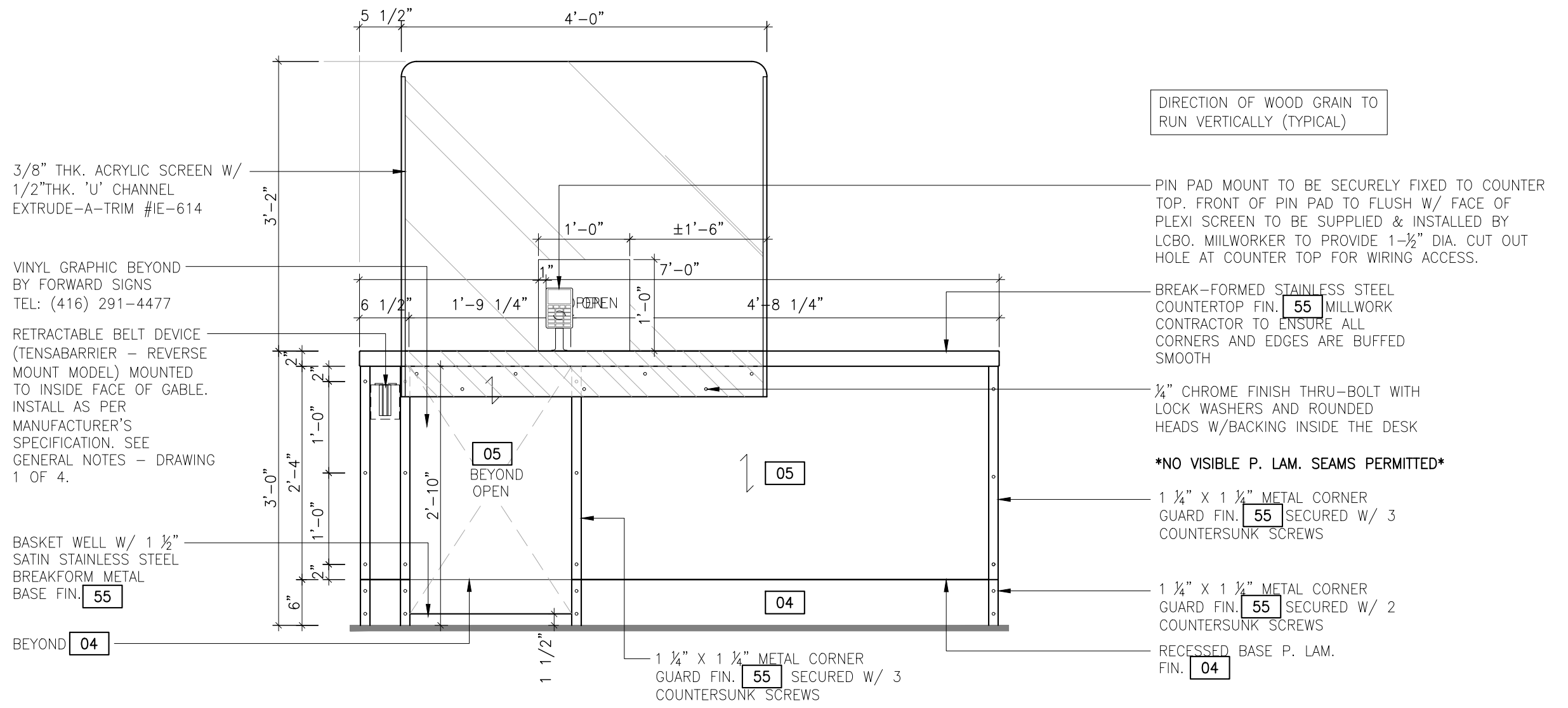


GENERAL NOTES:

- BASE & STRUCTURAL COMPONENTS TO BE 3/4" PLYWOOD CONSTRUCTION WITH DESIGNATED FINISH.
- DRAWERS TO BE CONSTRUCTED OF SOLID 1/2" BALTIC BIRCH W/ CLEAR LACQUER FINISH.
- ALL OTHER CONSTRUCTION TO BE 3/4" PARTICLE BOARD WITH DESIGNATED FINISH UNLESS NOTED OTHERWISE.
- ALL EDGES & CORNERS OF SATIN STAINLESS STEEL COUNTERTOP TO BE WELDED AND BUFFED SMOOTH.
- ALL SCREWS IN METAL CORNER GUARDS TO MATCH FINISH OF CORNER GUARD/TRIM AND BE COUNTERSUNK. ALL SHARP EDGES TO BE MADE SMOOTH TO ENSURE SAFETY OF CUSTOMERS AND STAFF.
- MILLWORK CONTRACTOR TO SUPPLY AND INSTALL TENSABARRIER DEVICE AT SIDE OF CASH/CHECK OUT DESK. MILLWORK CONTRACTOR TO SUPPLY AND INSTALL TENSABARRIER AS PER MANUFACTURERS SPECIFICATIONS AND LCBO SPECIFICATION - 10 90 00. MILLWORK CONTRACTOR TO PROVIDE CUT OUT AT GABLE AND MOUNT HARDWARE AS PER SPECIFICATIONS. MILLWORK CONTRACTOR WILL ASSUME RESPONSIBILITY FOR CUT OUT SIZE AND LOCATION. MILLWORK CONTRACTOR TO INDICATE PROPOSED DETAILS/CUT OUT LOCATION ON SHOP DRAWING SUBMITTAL FOR FINAL APPROVAL PRIOR TO FABRICATION
- NO VISIBLE P. LAM. SEAMS PERMITTED.
- G.C.'S ELECTRICAL SUBTRADE TO PROVIDE STUB UP UNDER CUSTOMER SERVICE SIDE OF CUSTOMER SERVICE DESK. LOCATION TO BE DETERMINED ON SITE.

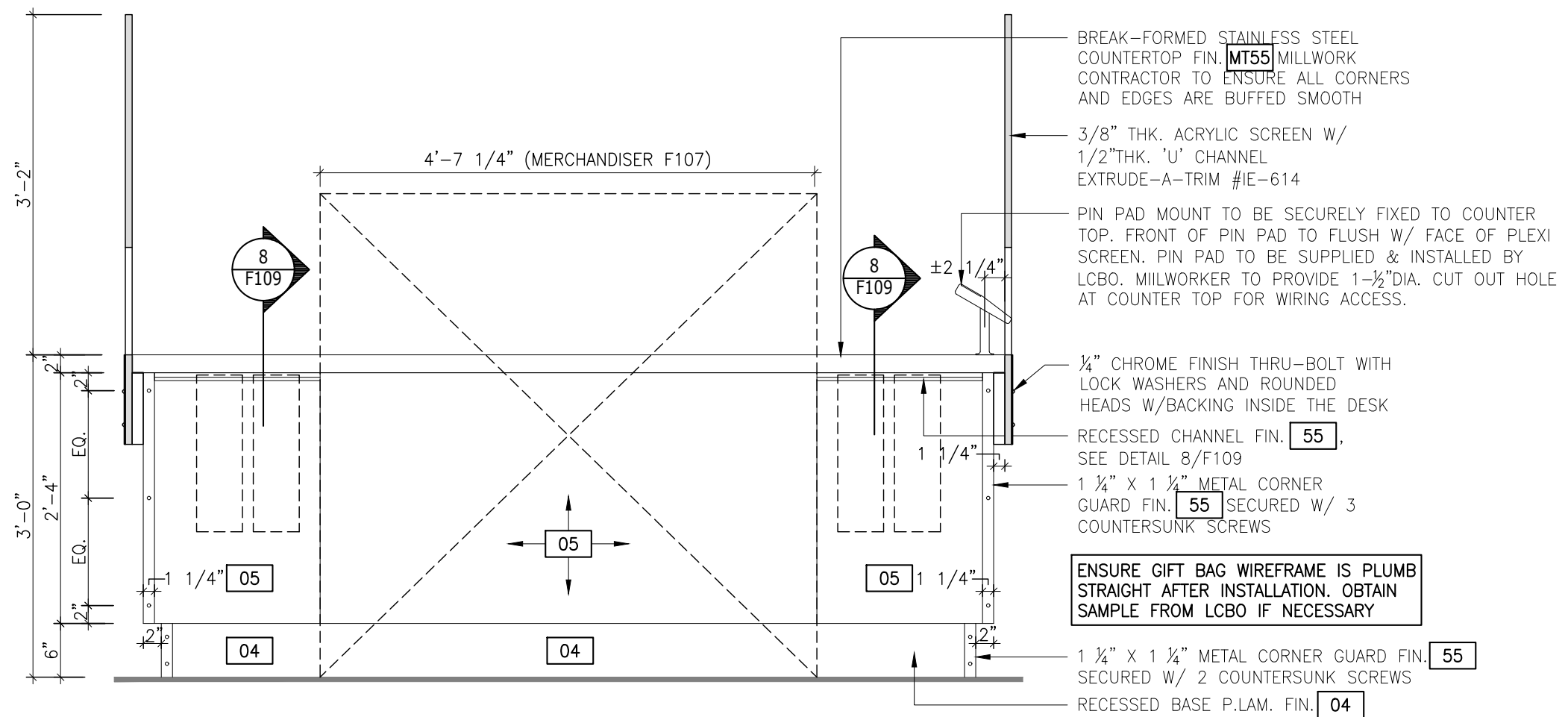
SHOPPING BASKETS
BY CART SOURCE
MODEL: PHB32
SIZE: 20" L. x 13.5" W. x 10" H.

LCBO	F100 CHECK OUT AREA/VESTIBULE	REVISION DATE	REV.	1 of 9	ISSUE DATE	STORE TYPE	STORE #
	'U'-SHAPED CUSTOMER SERVICE DESK W/ BASKET WELL	2021 MAR.	17	F109	2021 APR		



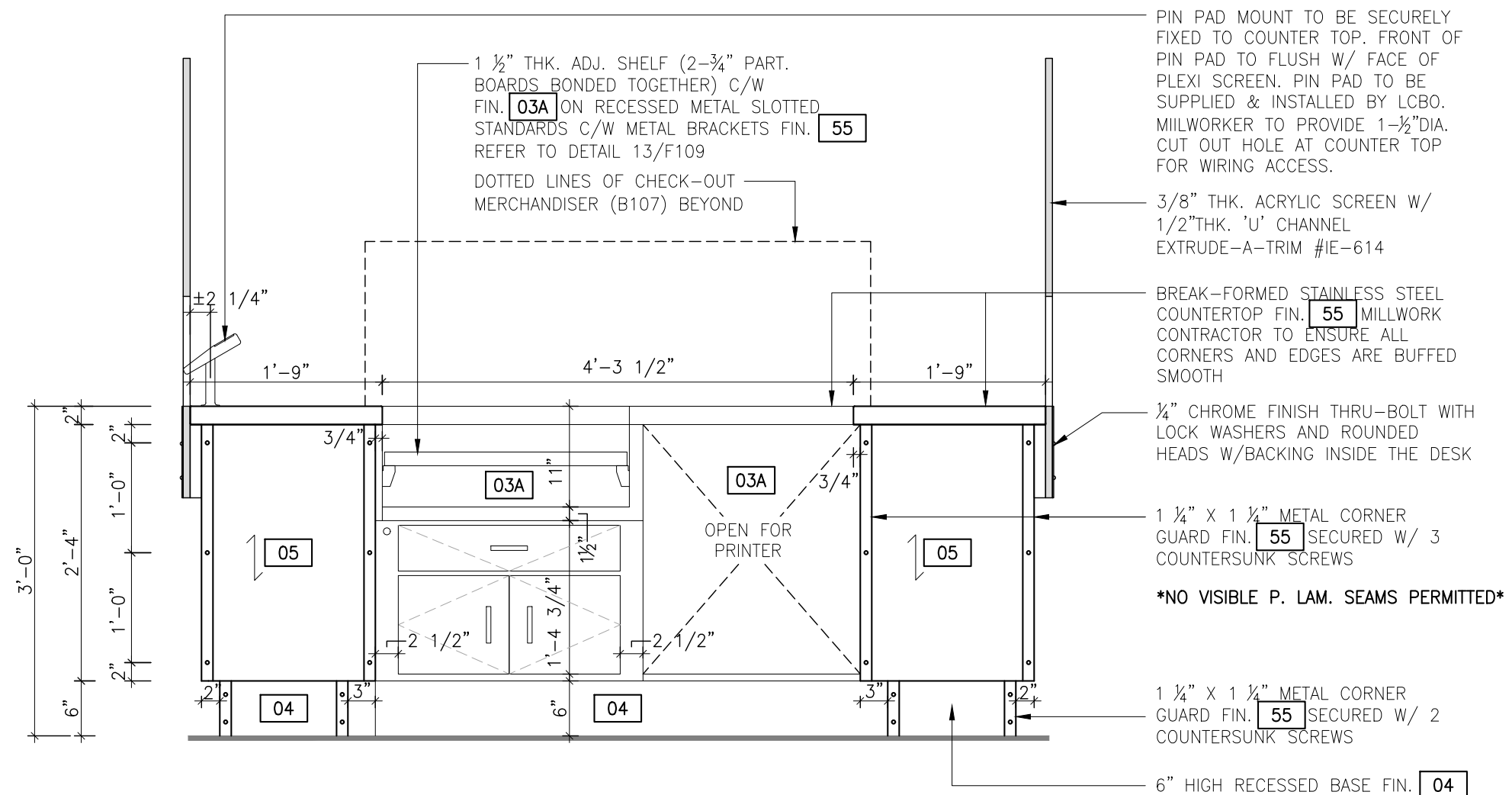
2 ELEVATION
F109 3/4" = 1'-0"

LCBO	F100 CHECK OUT AREA/VESTIBULE	REVISION DATE	REV.	2 of 9	ISSUE DATE	STORE TYPE	STORE #
	'U'-SHAPED CUSTOMER SERVICE DESK W/ BASKET WELL	2021 MAR.	17	F109	2021 APR		



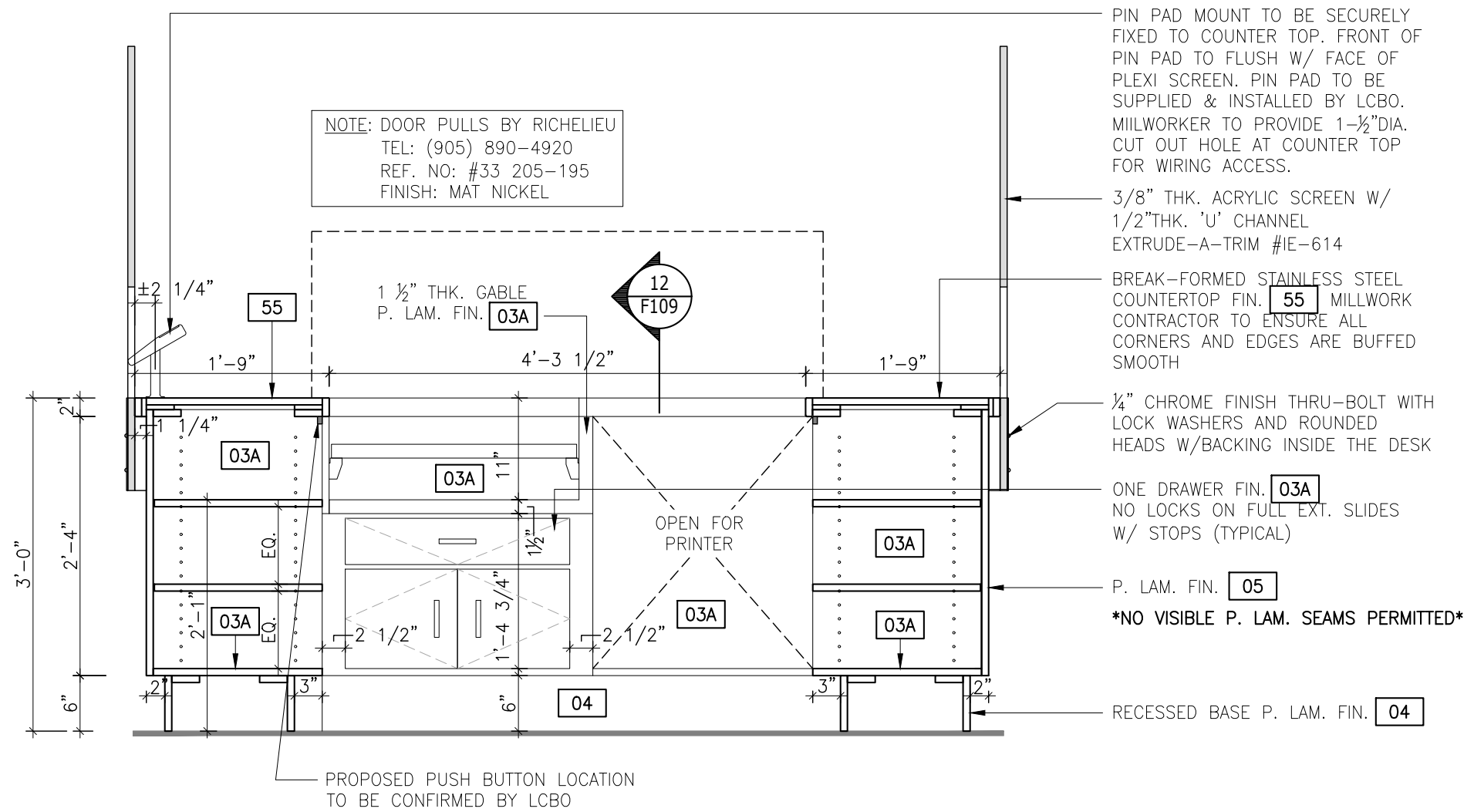
3 ELEVATION
F109 3/4" = 1'-0"

LCBO	F100 CHECK OUT AREA/VESTIBULE	REVISION DATE	REV.	3 of 9	ISSUE DATE	STORE TYPE	STORE #
	'U'-SHAPED CUSTOMER SERVICE DESK W/ BASKET WELL	2021 MAR.	17	F109	2021 APR		



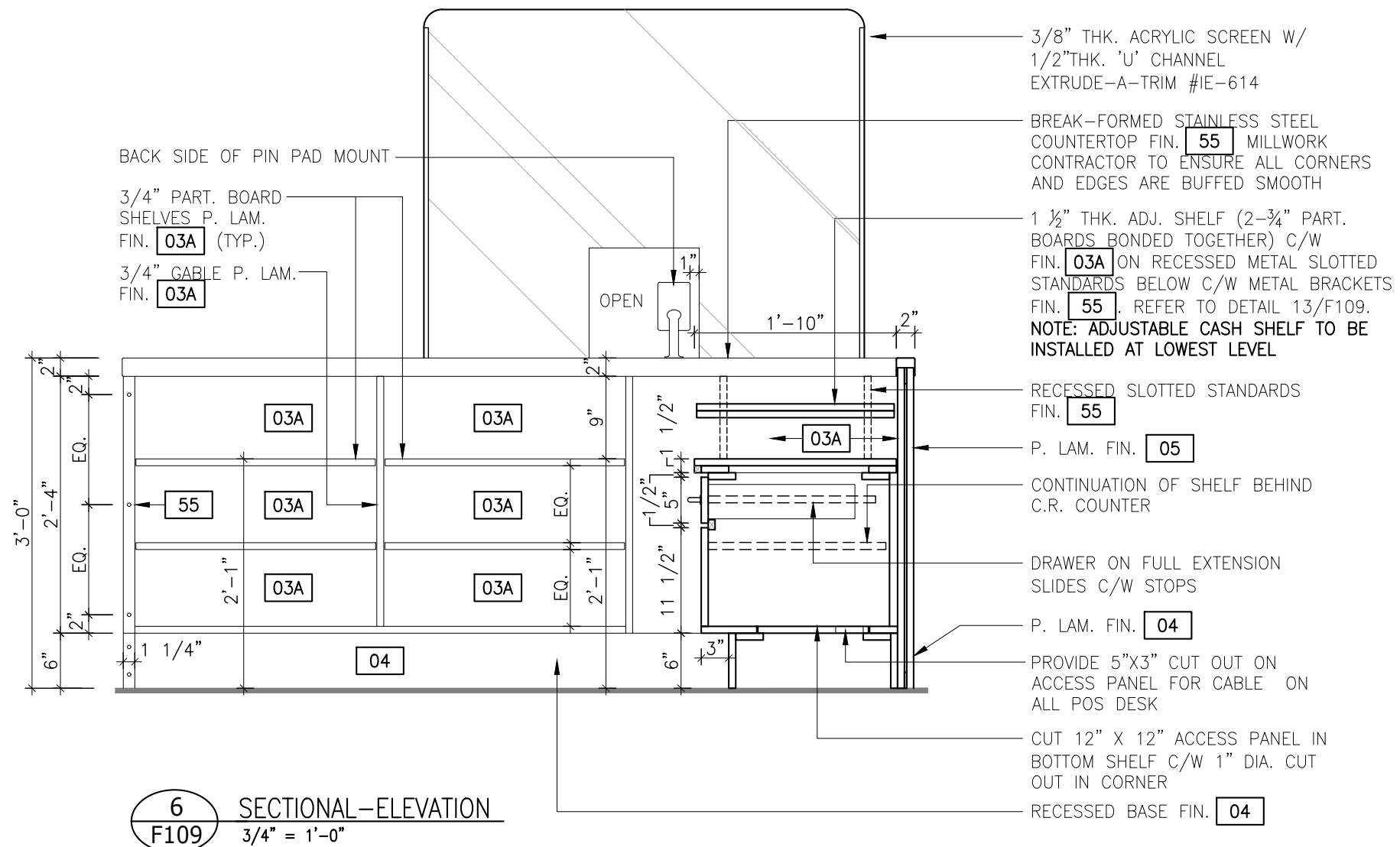
4 ELEVATION
 F109 3/4" = 1'-0"

LCBO	F100 CHECK OUT AREA/VESTIBULE	REVISION DATE	REV.	4 of 9	ISSUE DATE	STORE TYPE	STORE #
	'U'-SHAPED CUSTOMER SERVICE DESK W/ BASKET WELL	2021 MAR.	17	F109	2021 APR		



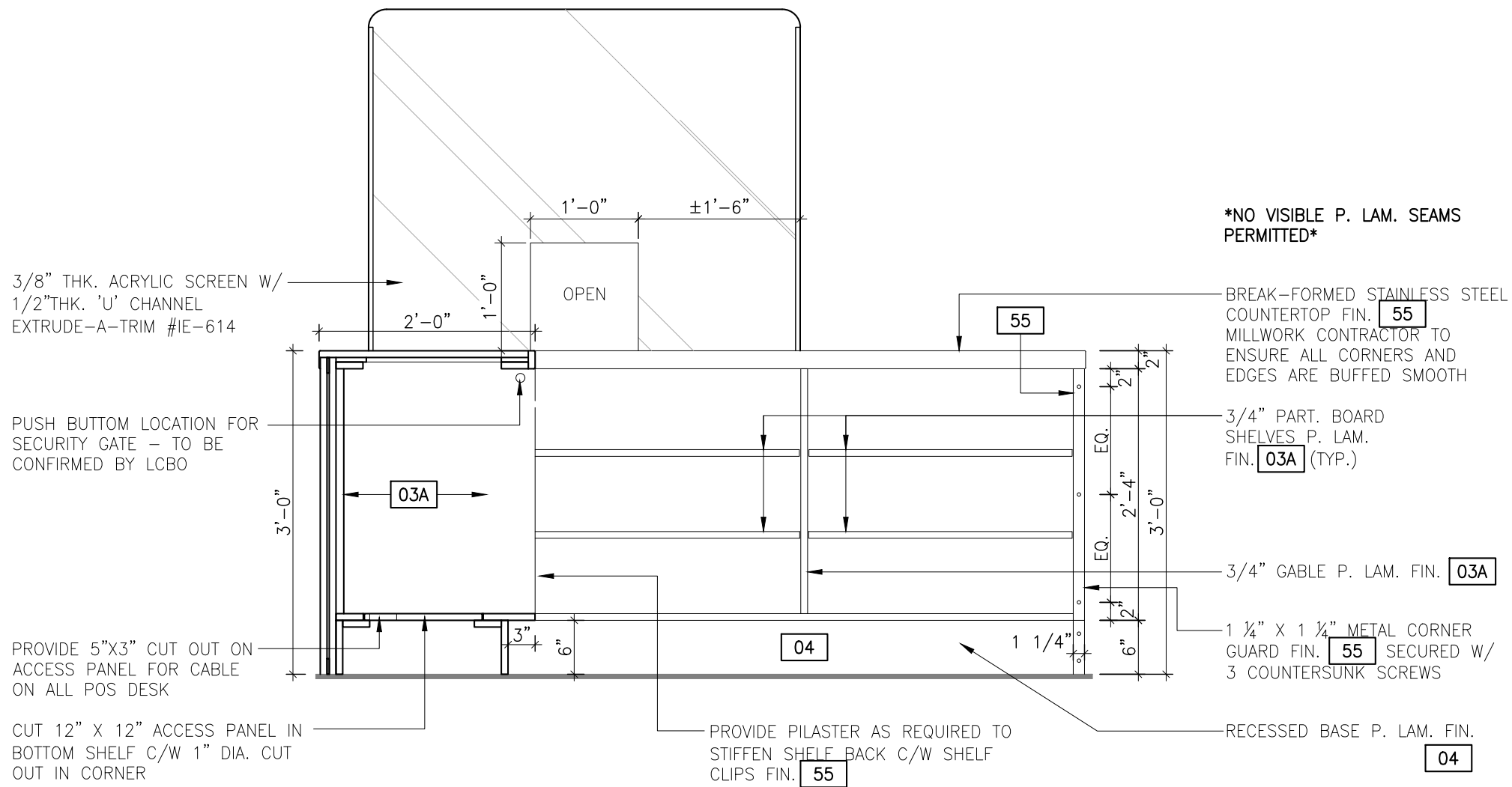
5 SECTIONAL-ELEVATION
 F109 3/4" = 1'-0"

LCBO	F100 CHECK OUT AREA/VESTIBULE	REVISION DATE	REV.	5 of 9	ISSUE DATE	STORE TYPE	STORE #
	'U'-SHAPED CUSTOMER SERVICE DESK W/ BASKET WELL	2021 MAR.	17	F109	2021 APR		



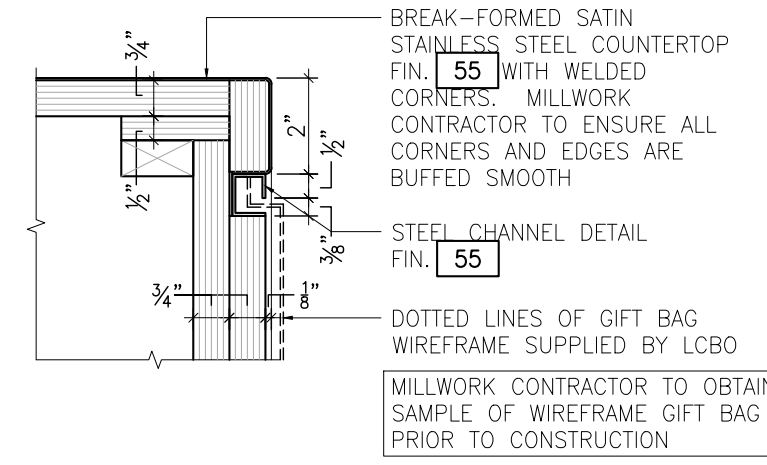
6 SECTIONAL-ELEVATION
F109 3/4" = 1'-0"

LCBO	F100 CHECK OUT AREA/VESTIBULE	REVISION DATE	REV.	6 of 9	ISSUE DATE	STORE TYPE	STORE #
	'U'-SHAPED CUSTOMER SERVICE DESK W/ BASKET WELL	2021 MAR.	17	F109	2021 APR.		

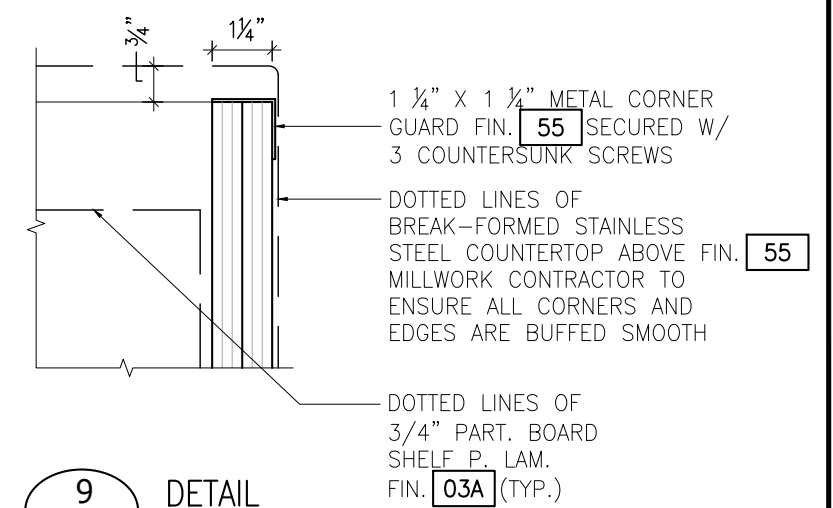


7 SECTIONAL-ELEVATION
F109 3/4" = 1'-0"

NO VISIBLE P. LAM. SEAMS PERMITTED

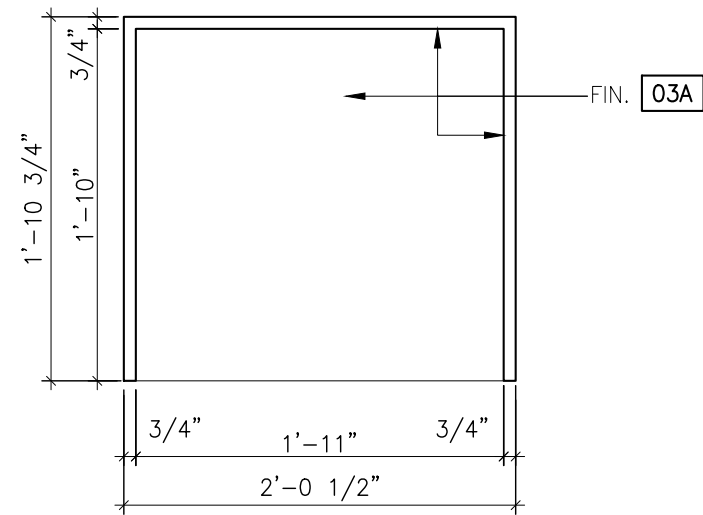


8 DETAIL
F109 3" = 1'-0"



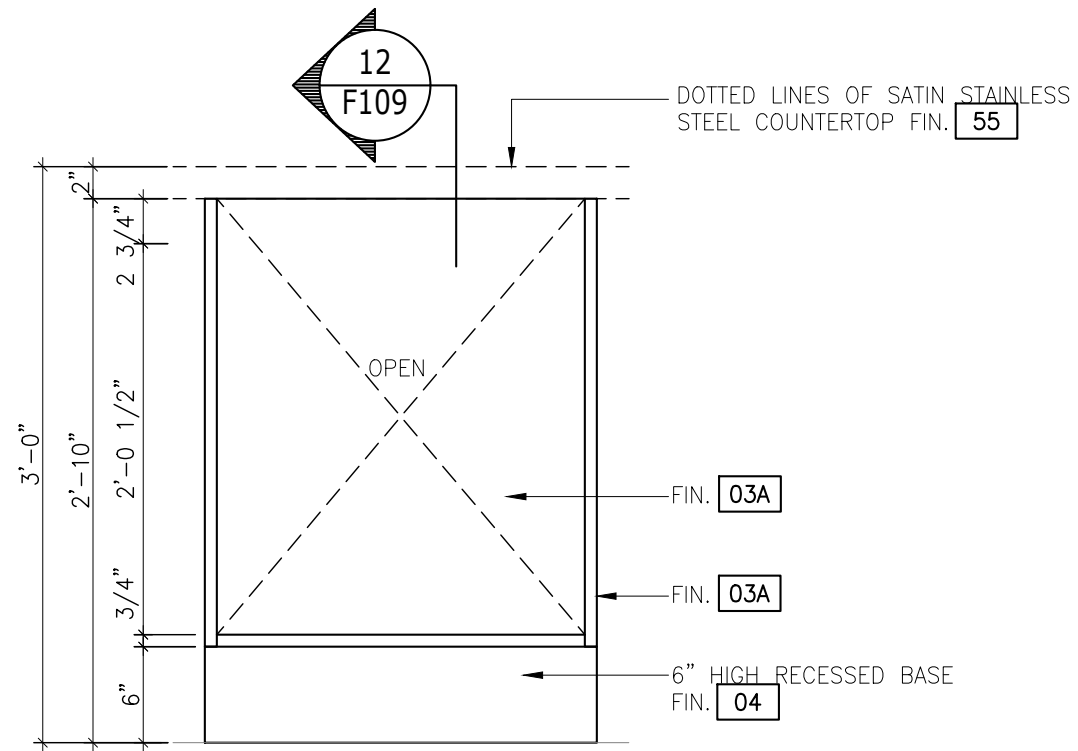
9 DETAIL
F109 3" = 1'-0"

LCBO	F100 CHECK OUT AREA/VESTIBULE	REVISION DATE	REV.	7 of 9	ISSUE DATE	STORE TYPE	STORE #
	'U'-SHAPED CUSTOMER SERVICE DESK W/ BASKET WELL	2021 MAR.	17	F109	2021 APR		

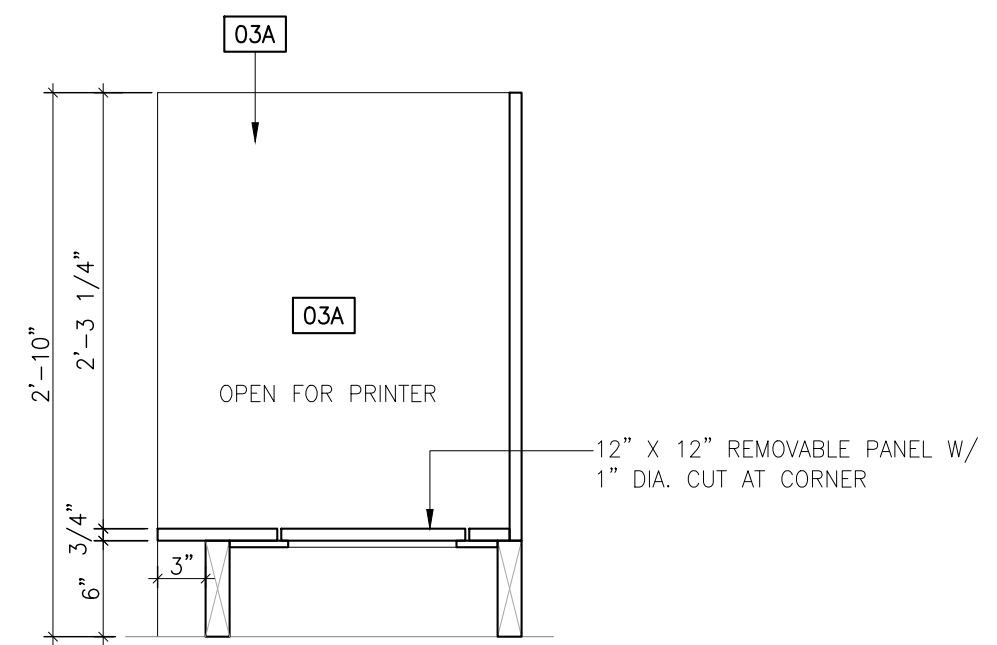


11
F109

10 PLAN
F109 1" = 1'-0"

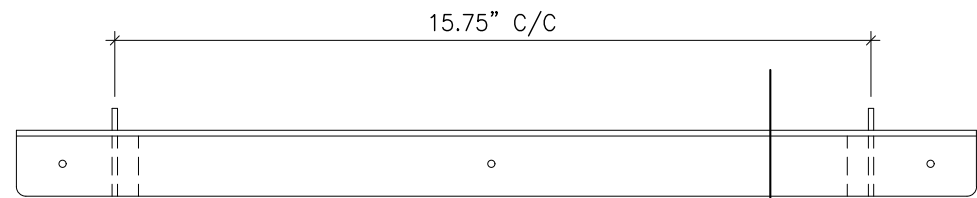


11 ELEVATION
F109 1" = 1'-0"

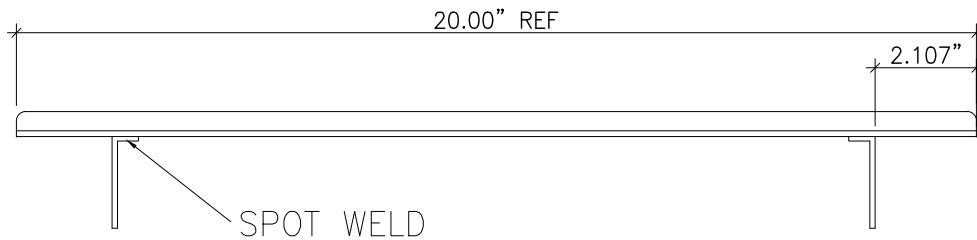


12 SECTION
F109 1" = 1'-0"

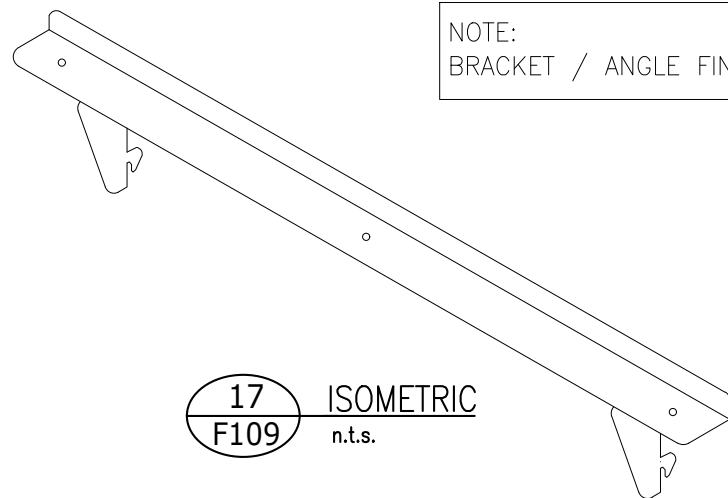
LCBO	F100 CHECK OUT AREA/VESTIBULE	REVISION DATE	REV.	8 of 9	ISSUE DATE	STORE TYPE	STORE #
	'U'-SHAPED CUSTOMER SERVICE DESK W/ BASKET WELL	2021 MAR.	17	F109	2021 APR		



13
F109 PLAN VIEW
3" = 1'-0"

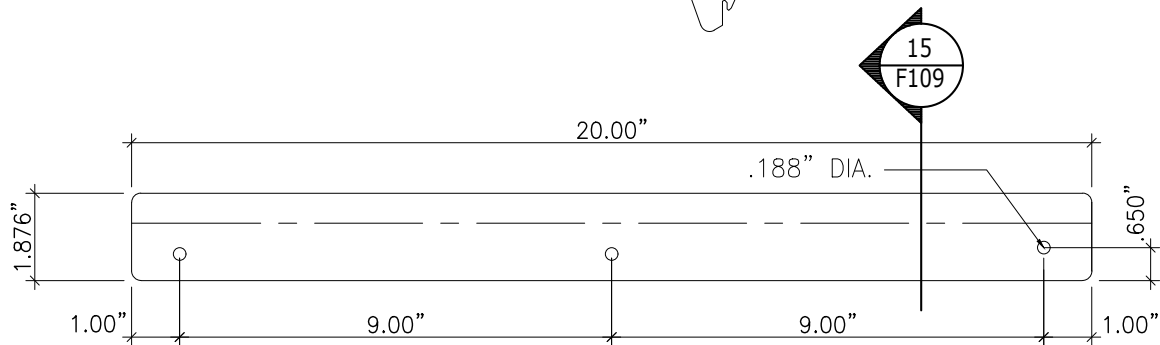


14
F109 ELEVATION
3" = 1'-0"

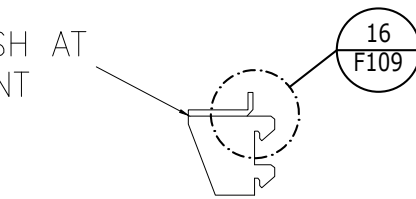


17
F109 ISOMETRIC
n.t.s.

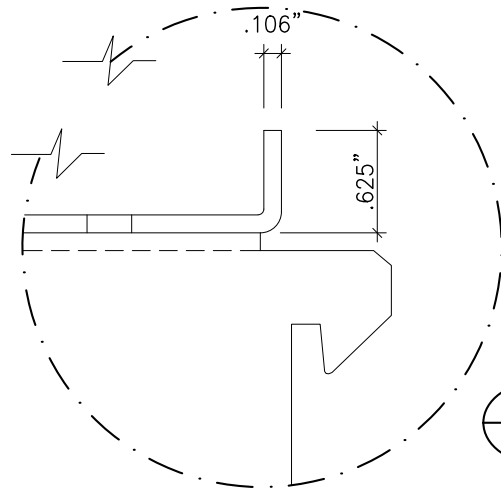
NOTE:
BRACKET / ANGLE FIN. **55**



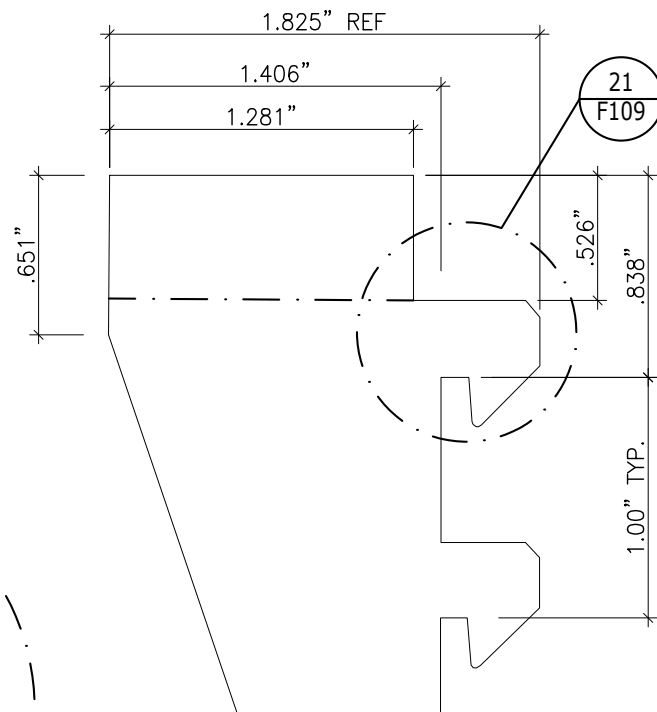
18
F109 ELEVATION - SHELF ANGLE
3" = 1'-0"



15
F109 SECTION
3" = 1'-0"

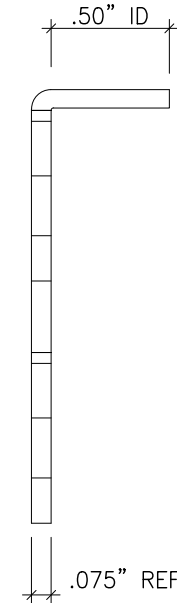


16
F109 DETAIL
n.t.s.

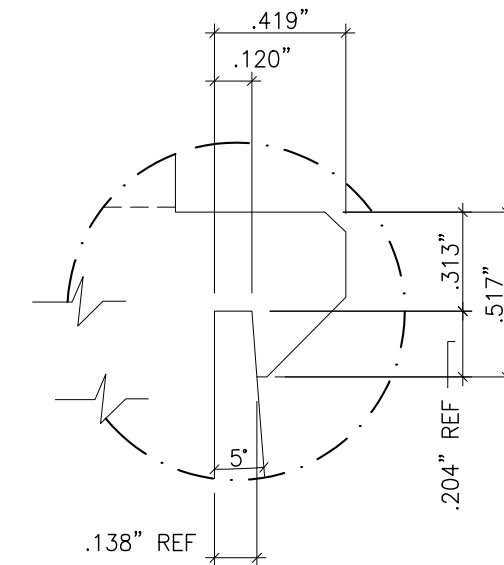


20
F109 ELEVATION - SHELF BRACKET
n.t.s.

RH SHOWN, LH FORM OPPOSITE

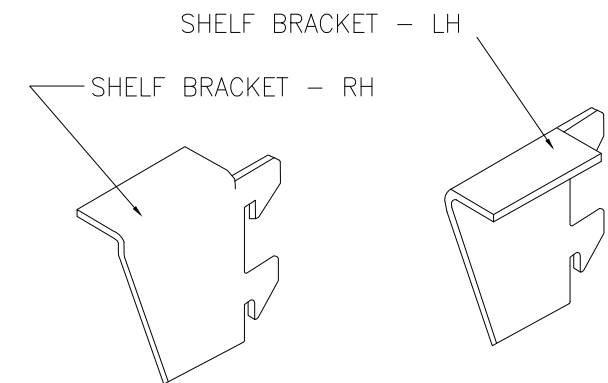


22
F109 ELEVATION
n.t.s.



21
F109 DETAIL
n.t.s.

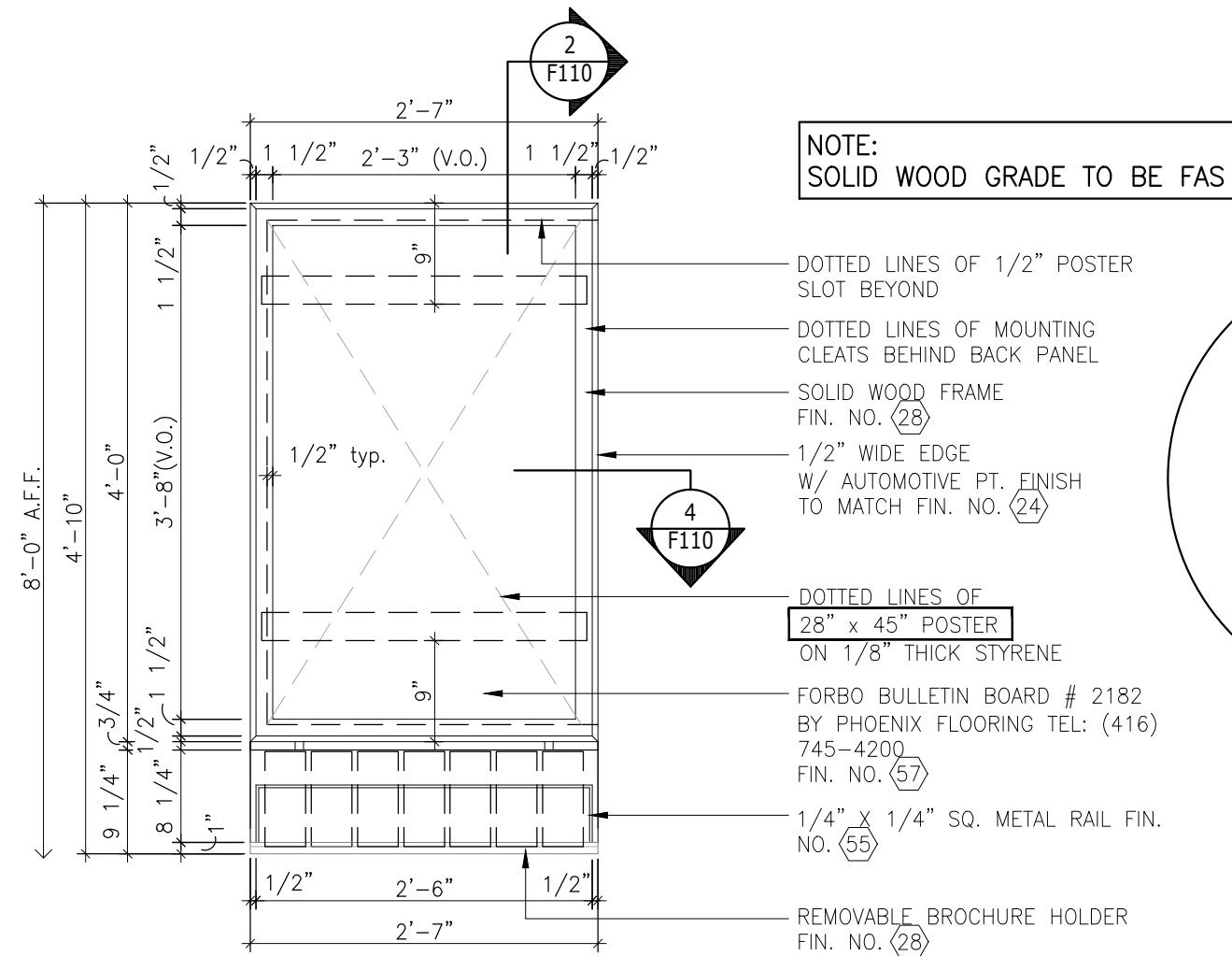
EQUIVALENT OF 1/2" SYSTEM HOOK



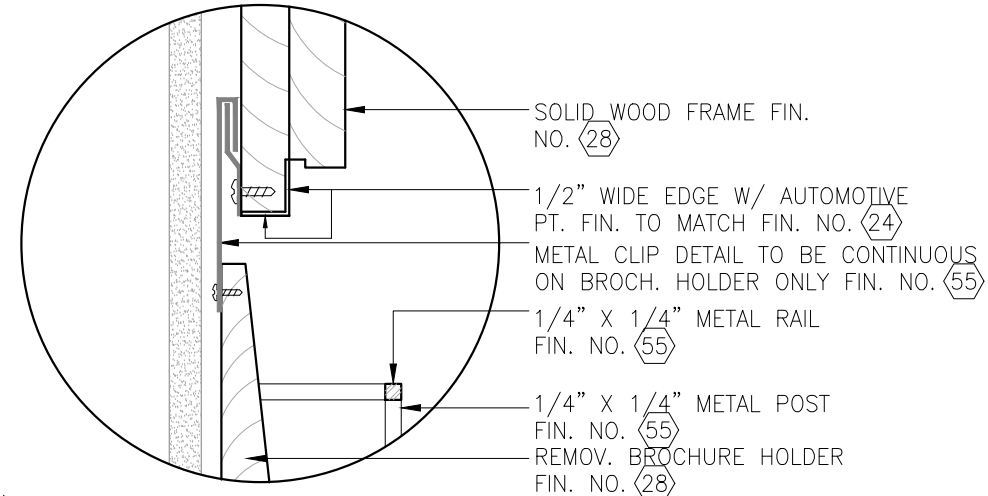
23
F109 ISOMETRIC VIEWS
n.t.s.

NOTE:
CASH REGISTER WEIGHT IS BETWEEN 60 LBS AND 80 LBS TOTAL.
FIXTURE CONTRACTOR TO ENSURE SHELF ANGLE/BRACKET
PROVIDES SUFFICIENT SUPPORT AND STABILITY

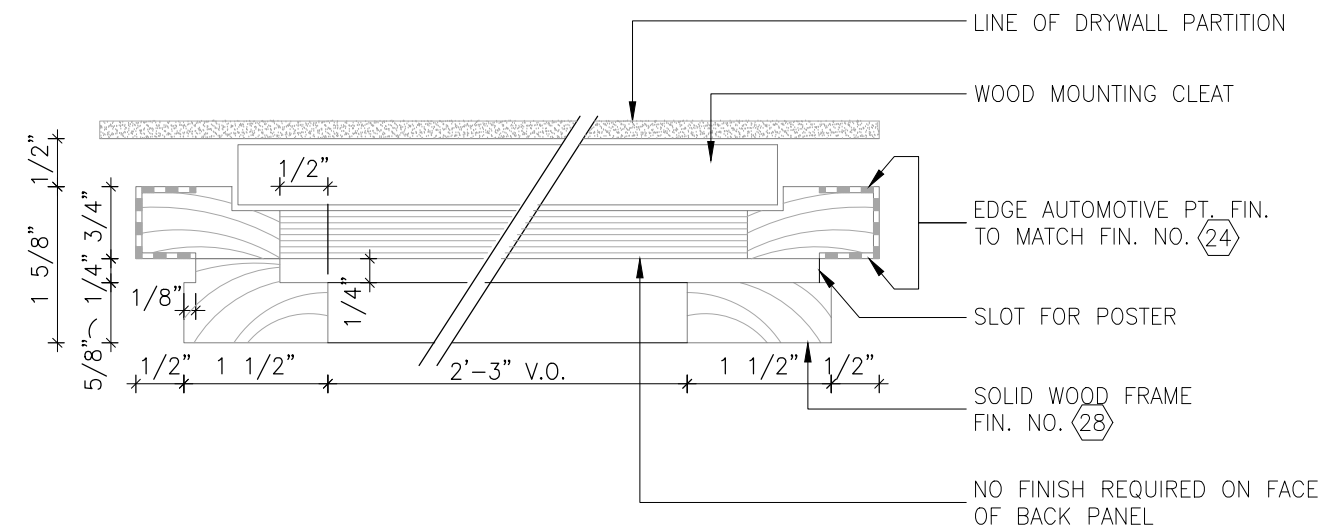
LCBO	F100 CHECK OUT AREA/VESTIBULE	REVISION DATE	REV.	9 of 9	ISSUE DATE	STORE TYPE	STORE #
	'U'-SHAPED CUSTOMER SERVICE DESK W/ BASKET WELL	2021 MAR.	17	F109	2021 APR		



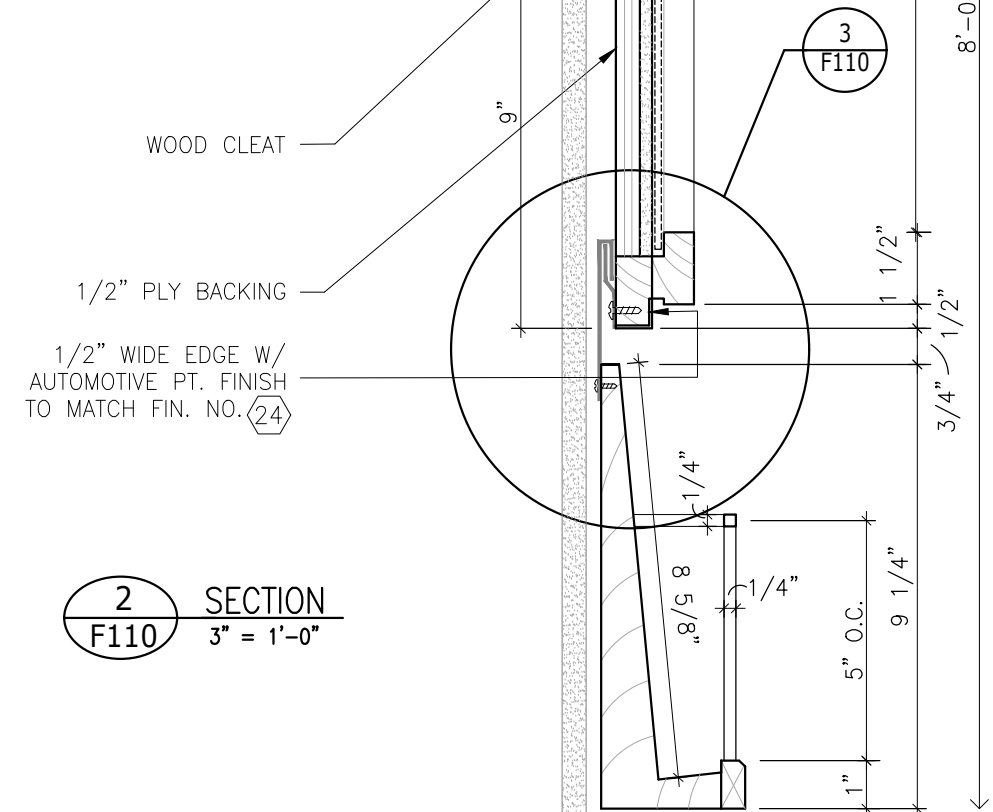
1 ELEVATION
F110 3/4" = 1'-0"



3 DETAIL
F110 NTS

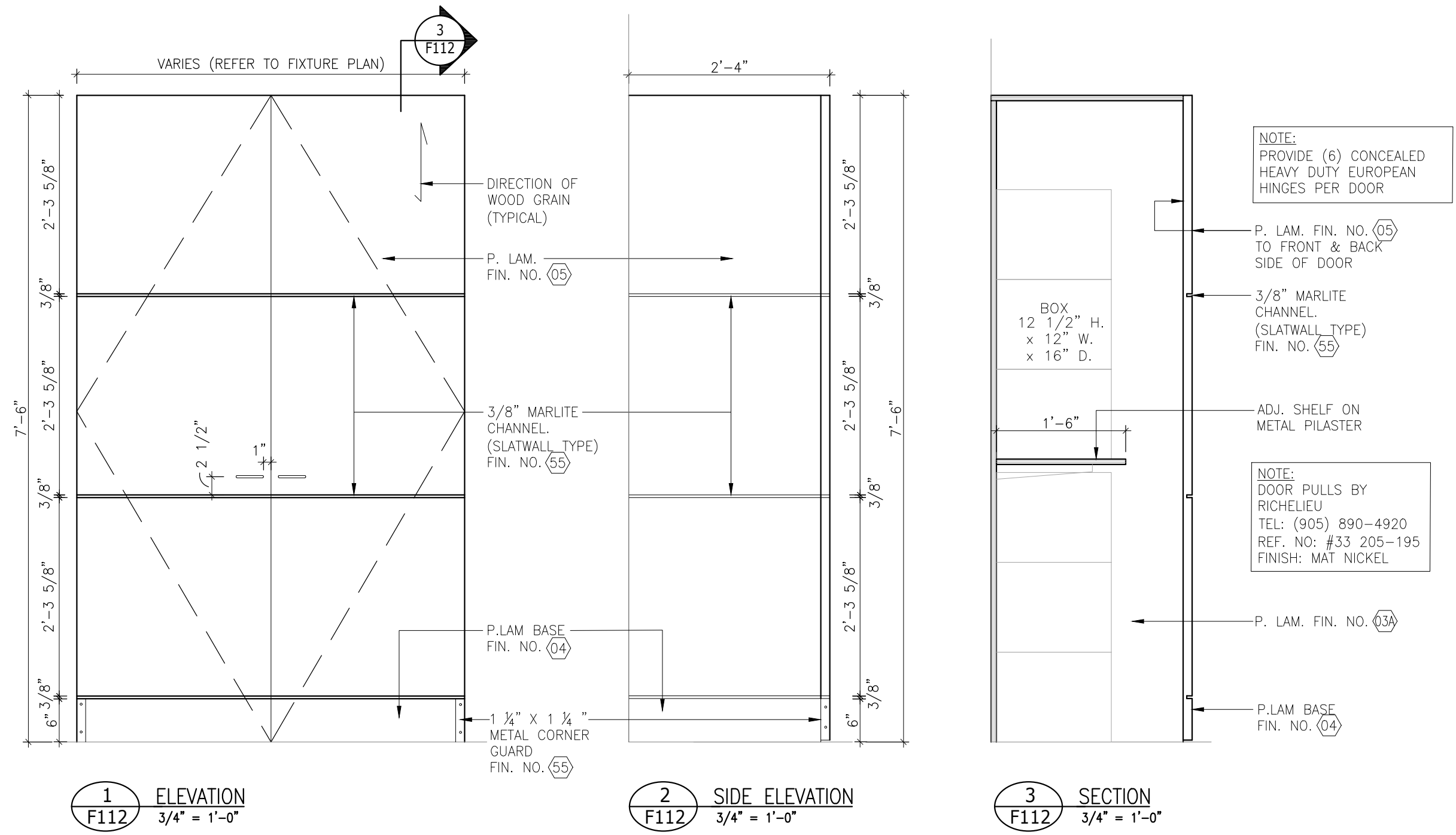


4 PLAN-SECTION
F110 6" = 1'-0"

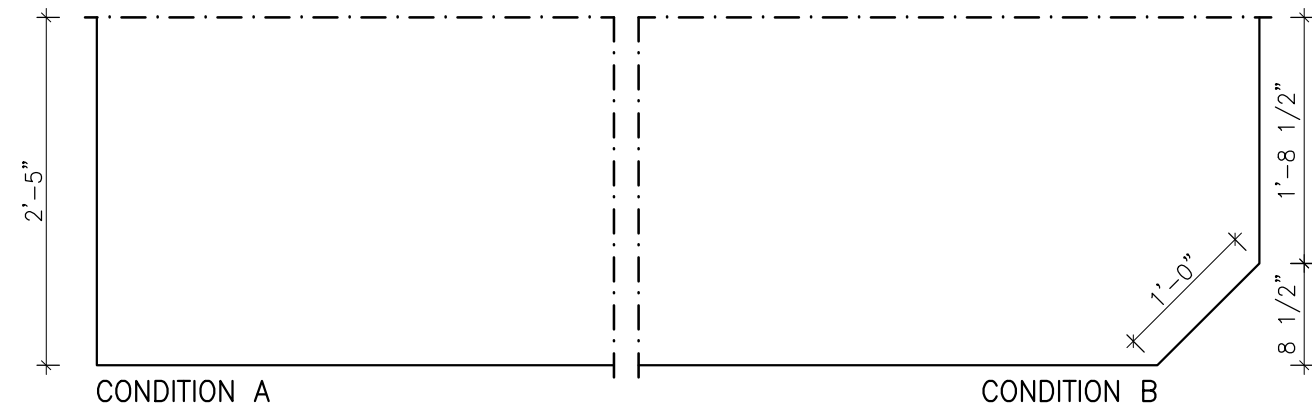


2 SECTION
F110 3" = 1'-0"

LCBO	100 CHECK-OUT AREA/VESTIBULE	REVISION DATE	REV.	1 of 1	ISSUE DATE	STORE TYPE	STORE #
	INFO BOARD W/REMOVABLE BROCHURE HOLDER	2021 MAR	17	F110	2021 APR		

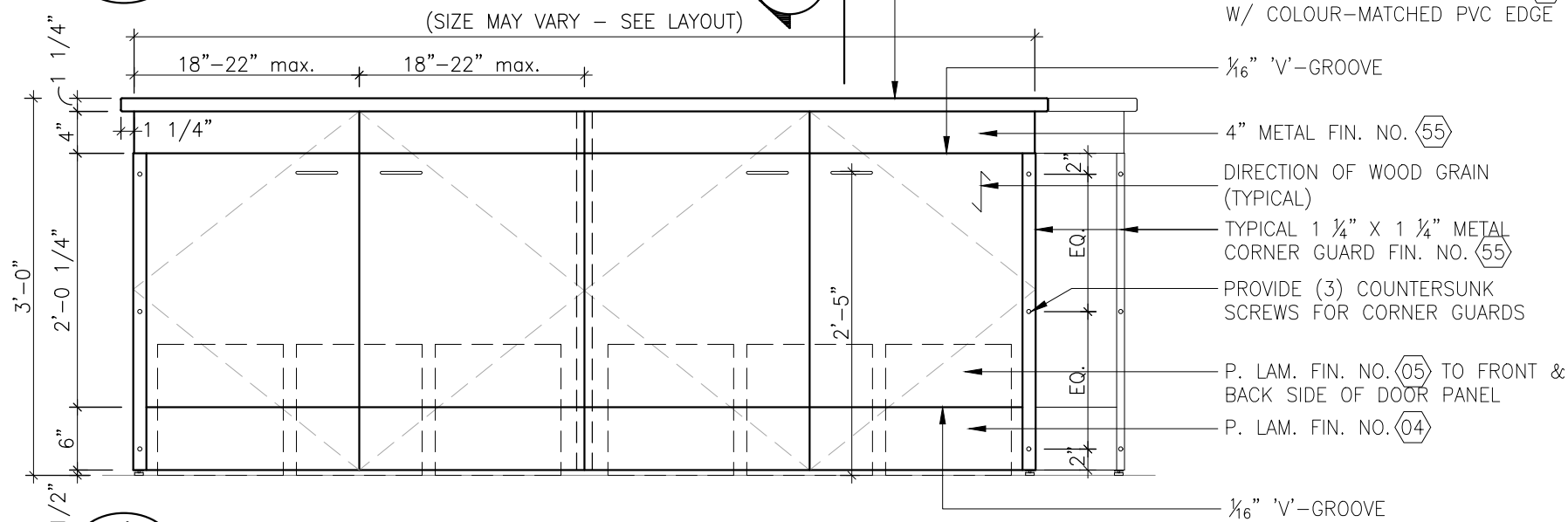


LCBO	100 CHECK-OUT AREA/VESTIBULE	REVISION DATE	REV.	1 of 1	ISSUE DATE	STORE TYPE	STORE #
	FREE-STANDING BOX STORAGE	2021 MAR	17	F112	2021 APR		



1 PLAN
F113 3/4" = 1'-0"

3
F113



1 ELEVATION
F113 3/4" = 1'-0"

NOTE:
PROVIDE (3) CONCEALED HEAVY DUTY EUROPEAN HINGES W/ 135° OPENING RADIUS PER DOOR. HINGES BY BLUM OR APPROVED EQUAL

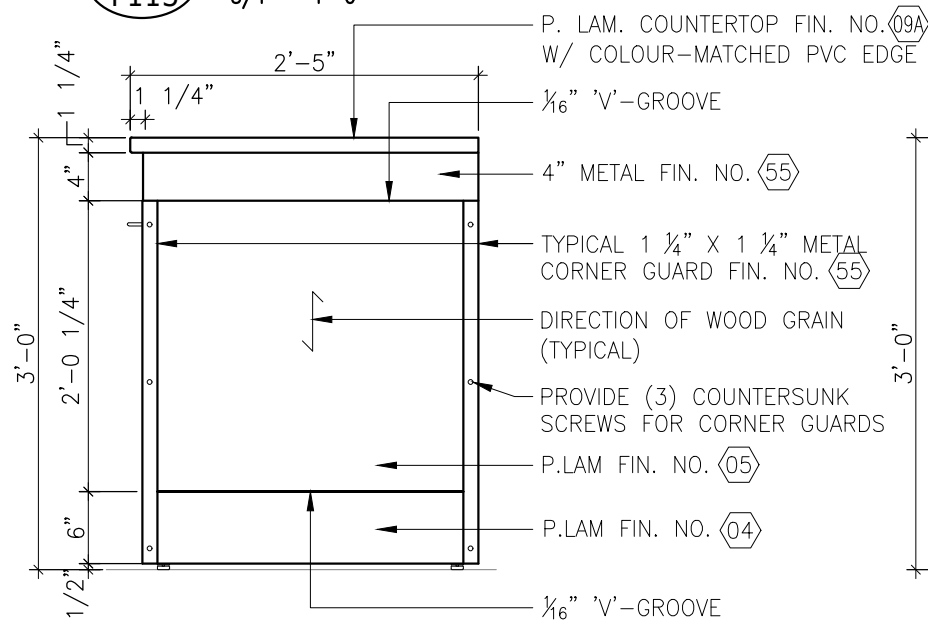
NOTES:
ALL COMPONENTS TO BE 3/4" PLYWOOD W/ DESIGNATED FINISH UNLESS OTHERWISE NOTED.

CO-ORDINATION REQUIRED BETWEEN G.C. AND THE MILLWORK CONTRACTOR TO ENSURE A SUFFICIENT AMOUNT OF CLEARANCE IS LEFT FOR ANY SHUTTER DEFLECTION AS THE SECURITY SHUTTER NEEDS TO BE LOWERED TO THE WINDOW SILL BEHIND THE BOX STORAGE UNIT FOR MAXIMUM SECURITY.

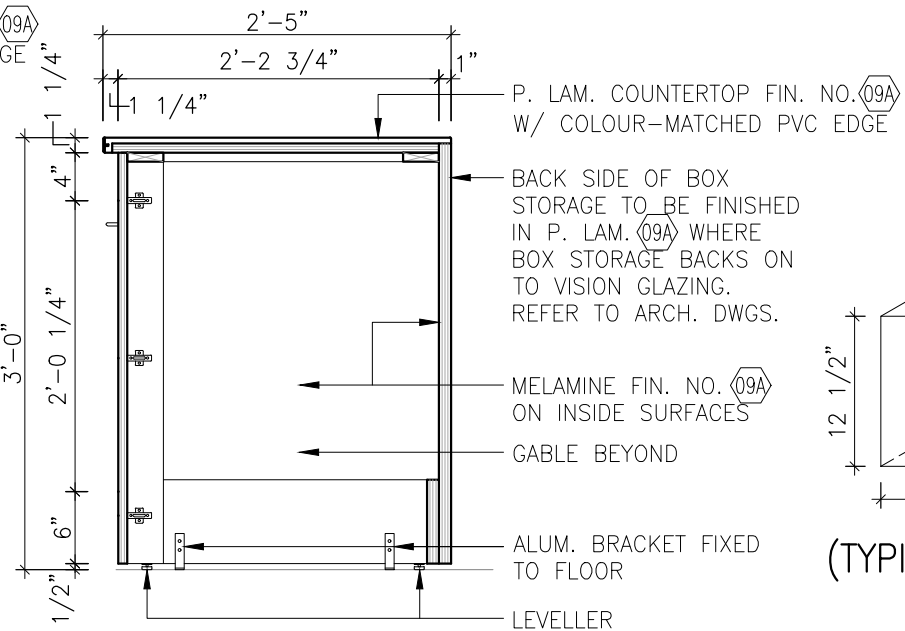
NO VISIBLE SEAMS PERMITTED IN PANELING OR DOORS. NUMBER OF SEAMS IN COUNTERTOP SHOULD BE KEPT TO MINIMUM (EVERY 8'-0") AND SHOULD ALIGN W/ DOOR SEAMS BELOW.

SIZE AND LAYOUT VARIES, PLEASE REFER TO FIXTURE PLAN. IF CHAMFERED CORNERS ARE REQUIRED, CHAMFERED CORNER TO BE 12".

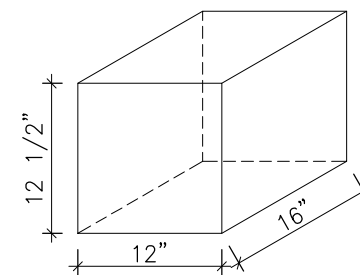
NOTE:
DOOR PULLS BY RICHELIEU
TEL: 1 (800) 361-6000
REF. NO: #33205-195
FINISH: BRUSHED NICKEL



2 ELEVATION
F113 3/4" = 1'-0"

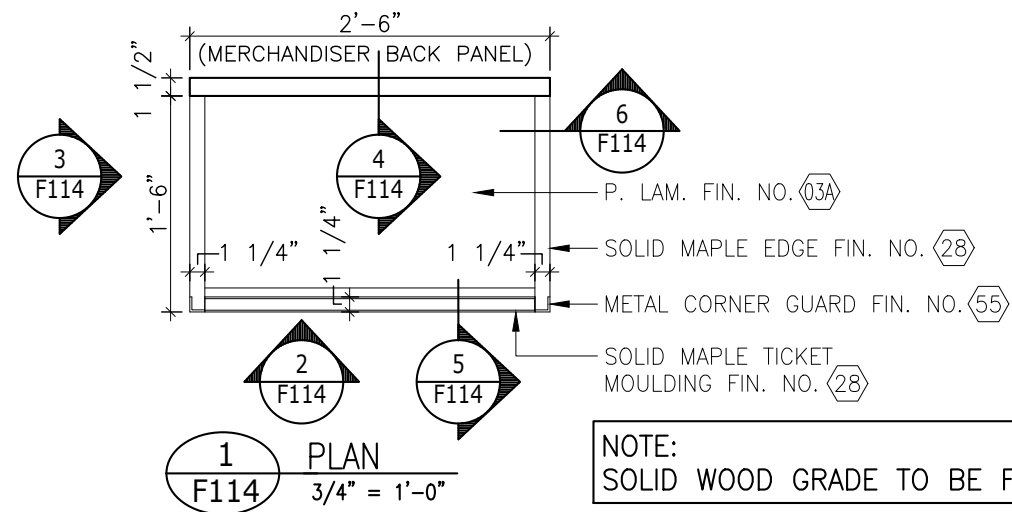


3 SECTION
F113 3/4" = 1'-0"



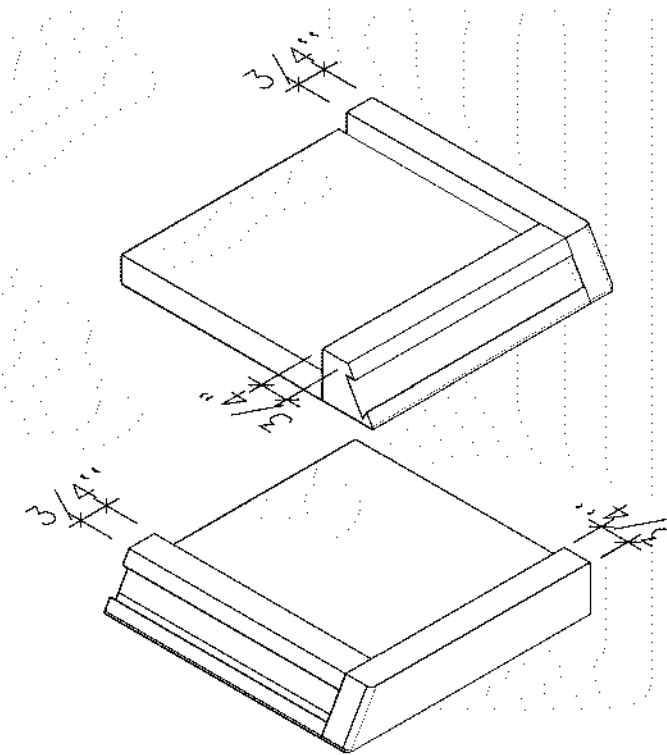
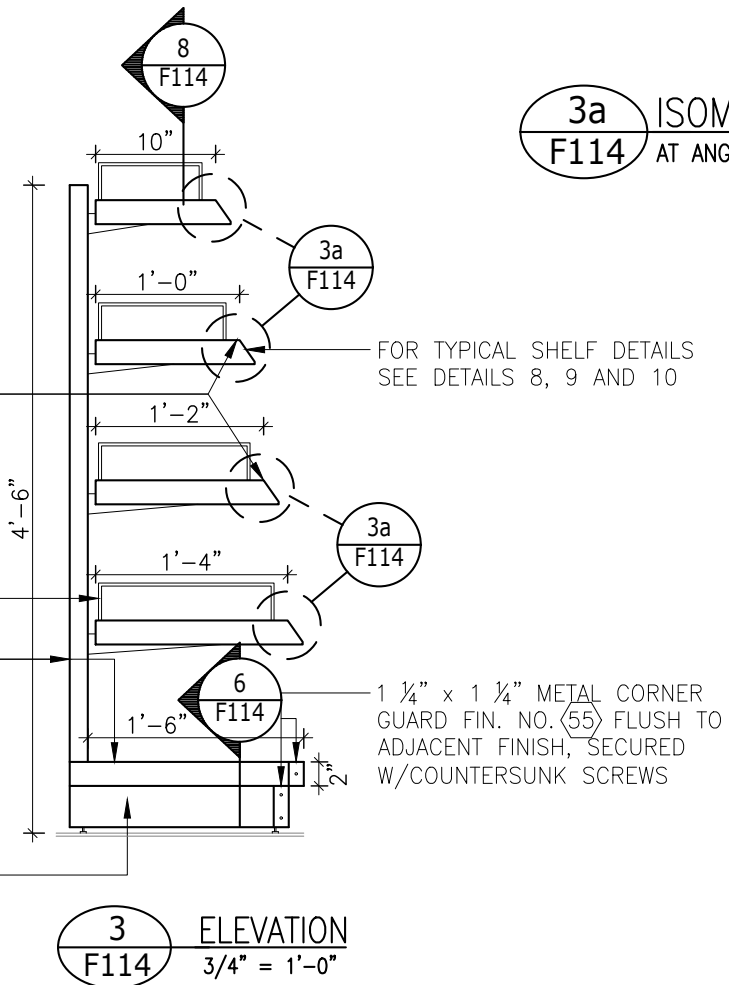
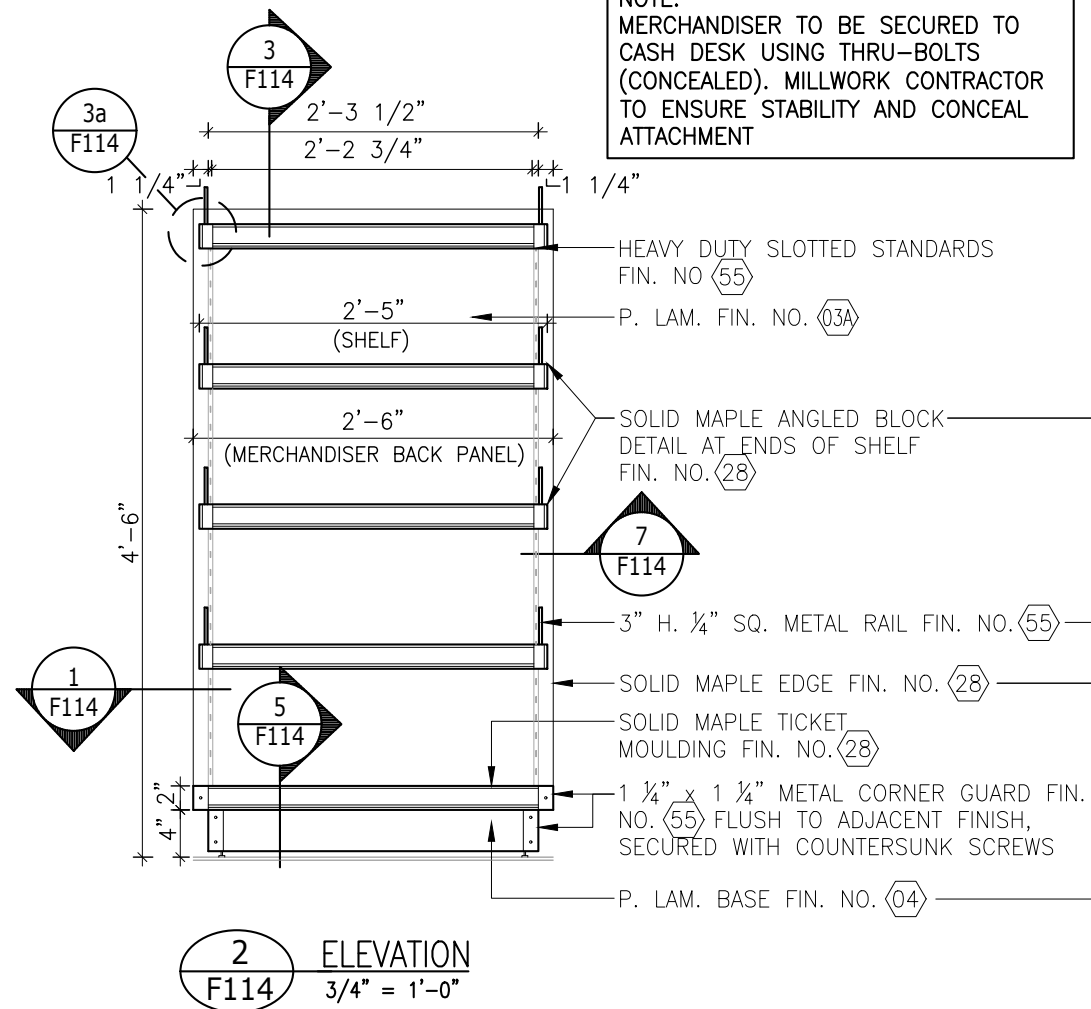
(TYPICAL BOX SIZE)

LCBO	100 CHECK-OUT AREA/VESTIBULE	REVISION DATE	REV.	1 of 1	ISSUE DATE	STORE TYPE	STORE #
	BOX STORAGE	2021 MAR	17	F113	2021 APR		



NOTE:
SOLID WOOD GRADE TO BE FAS

NOTE:
MERCHANDISER TO BE SECURED TO
CASH DESK USING THRU-BOLTS
(CONCEALED). MILLWORK CONTRACTOR
TO ENSURE STABILITY AND CONCEAL
ATTACHMENT



3a ISOMETRIC VIEWS - ANGLED WOOD BLOCK DETAIL
F114 AT ANGLED TICKET MOULDING

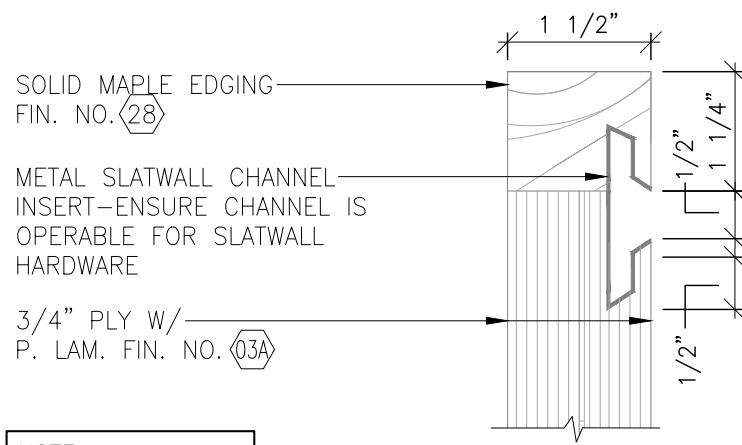
TYPE 2 MERCHANDISER GENERAL NOTES

PROVIDE : 3 TYPICAL SHELVES, SEE
DETAILS 8, 9, 10

SLOTTED STANDARDS TO BE INSTALLED
LEVEL AND ALIGNED WITH EACH OTHER
TO ENSURE THAT SHELVES ARE LEVEL

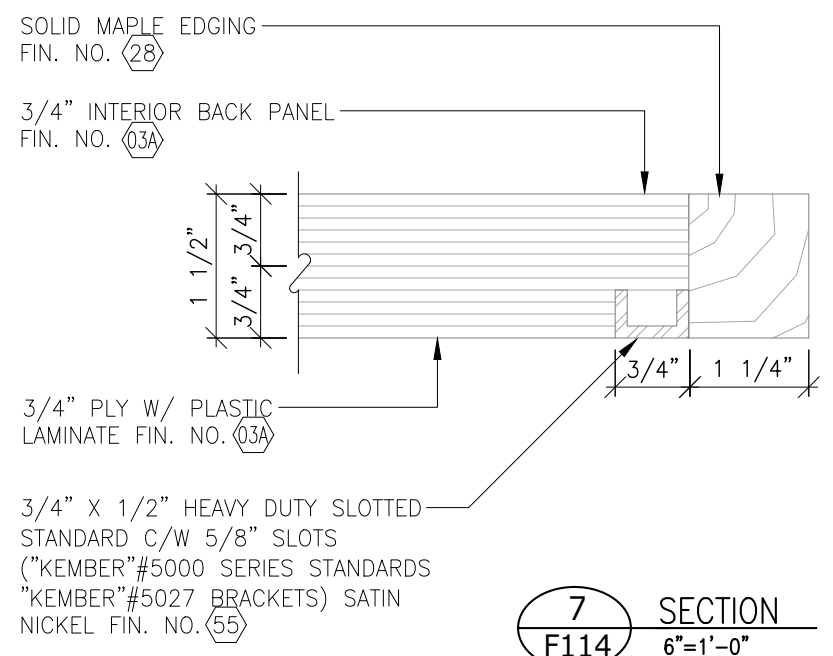
FINISHES FOR TYPE 2 MERCHANDISER TO
BE AS PER THIS DRAWING, SEE DETAILS
4-10 FOR DETAILS

LCBO	100 CHECK-OUT AREA/VESTIBULE	REVISION DATE	REV.	1 of 2	ISSUE DATE	STORE TYPE	STORE #
	TYPE 2 MERCHANDISER	2021 MAR	17	F114	2021 APR		

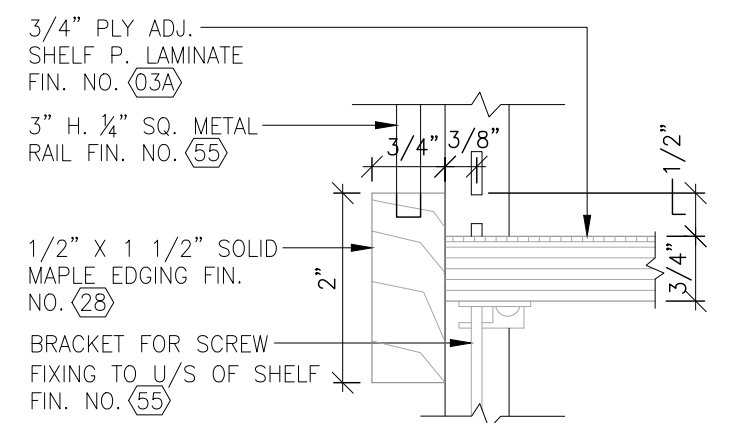


NOTE:
ALL SOLID WOOD
GRADE TO BE FAS

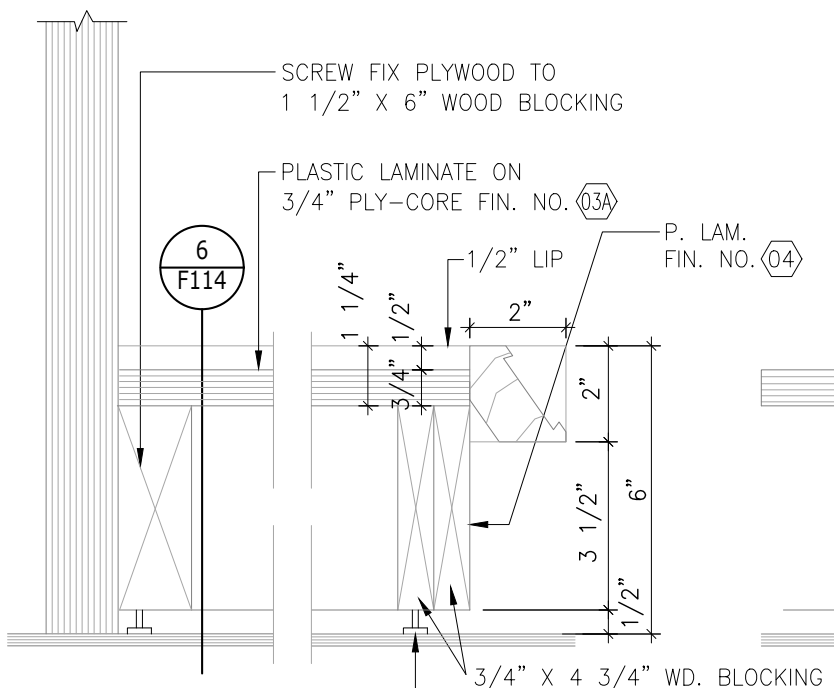
4 SECTION
F114 6"=1'-0"



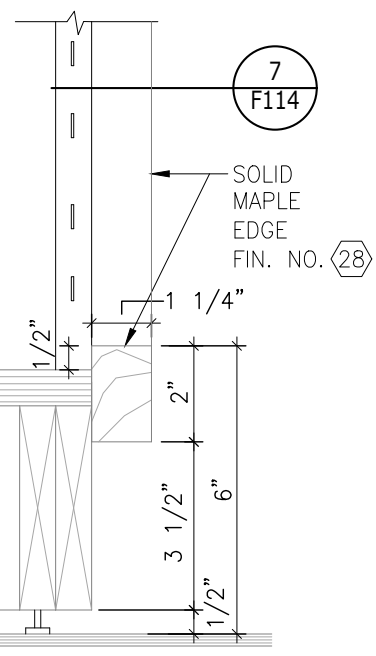
7 SECTION
F114 6"=1'-0"



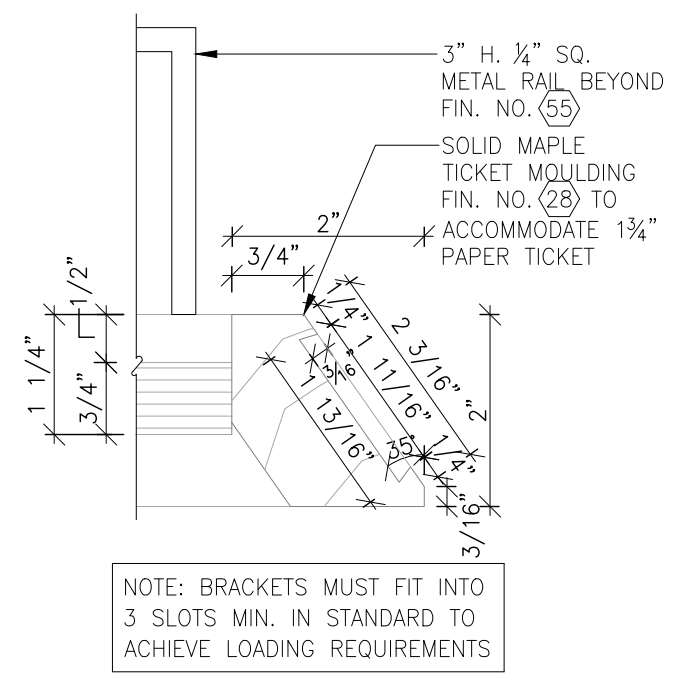
8 SECTION
F114 6" = 1'-0"



5 SECTION
F114 3" = 1'-0"

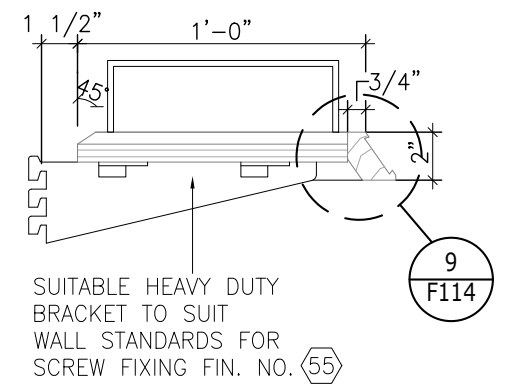


6 SECTION
F114 3" = 1'-0"



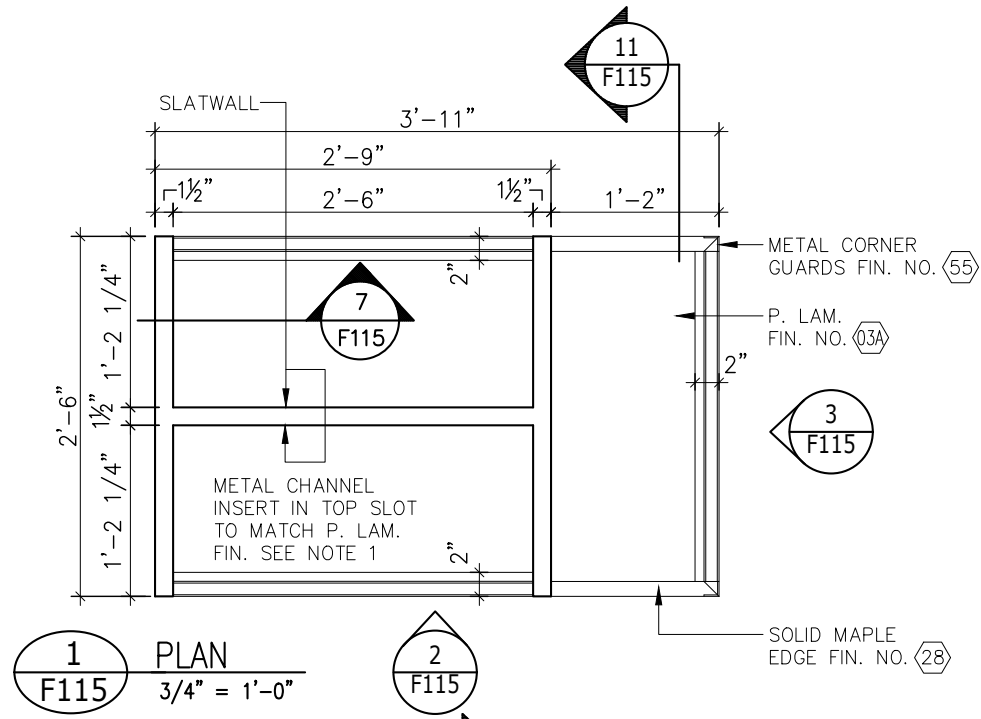
9 SECTION
F114 6"=1'-0"

NOTE: BRACKETS MUST FIT INTO
3 SLOTS MIN. IN STANDARD TO
ACHIEVE LOADING REQUIREMENTS



10 SECTION
F114 1 1/2"=1'-0"

LCBO	100 CHECK-OUT AREA/VESTIBULE	REVISION DATE	REV.	2 of 2	ISSUE DATE	STORE TYPE	STORE #
	TYPE 2 MERCHANDISER	2021 MAR	17	F114			



TYPE 3 MERCHANDISER GENERAL NOTES

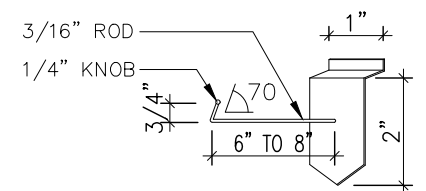
PROVIDE: A) (8) ACCESSORIES TRAY SHELVES WITH ANGLED PLEXI DIVIDERS. SEE DETAIL NO.12

B) (4) 200 ML SHELVES SEE DETAIL NO.15

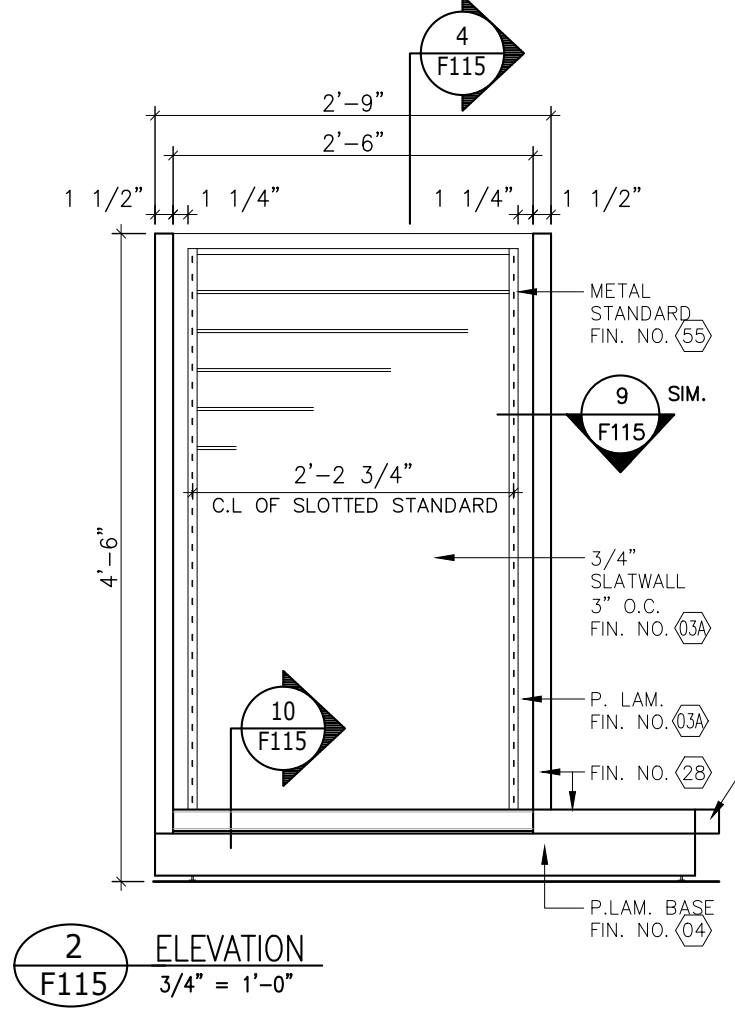
C) 15 PCS. 6" HOOKS; 15 PCS. 8" HOOKS. SEE DISPLAY HOOK DETAIL 5 THIS PAGE.

--SHELVES TO BE INTERCHANGEABLE BETWEEN DIFFERENT SIZES OF END CAPS. ALL SHELF BRACKETS MUST BE COMPATIBLE TO OTHER STANDARDS

NOTE:
SOLID WOOD GRADE TO BE FAS

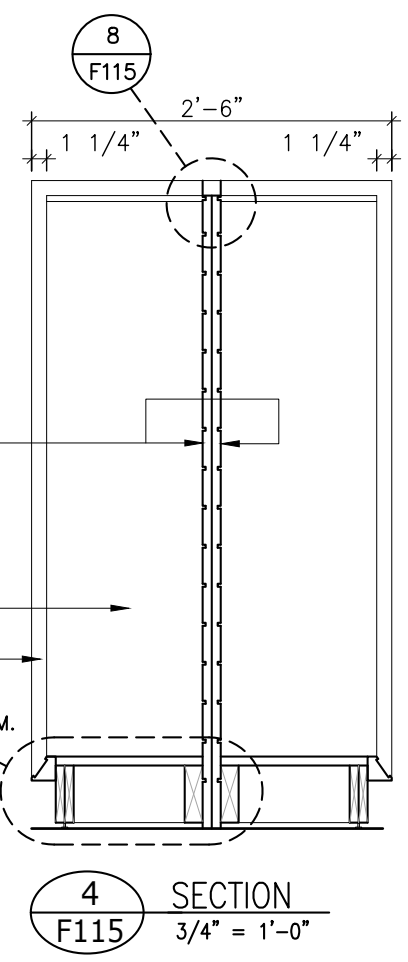
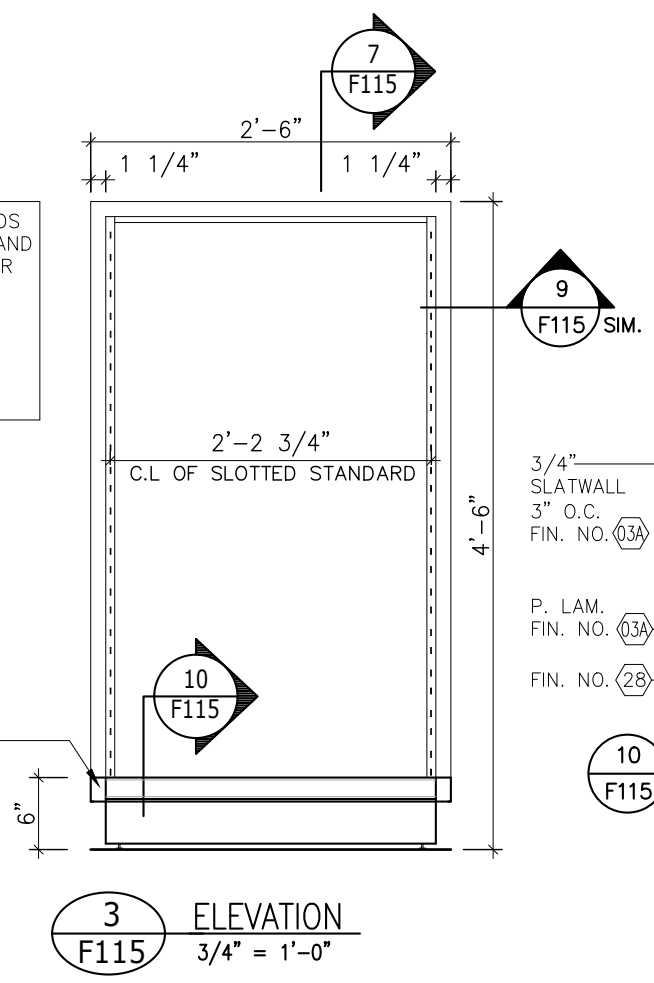


5 DISPLAY HOOK DETAIL
3/4" = 1'-0"

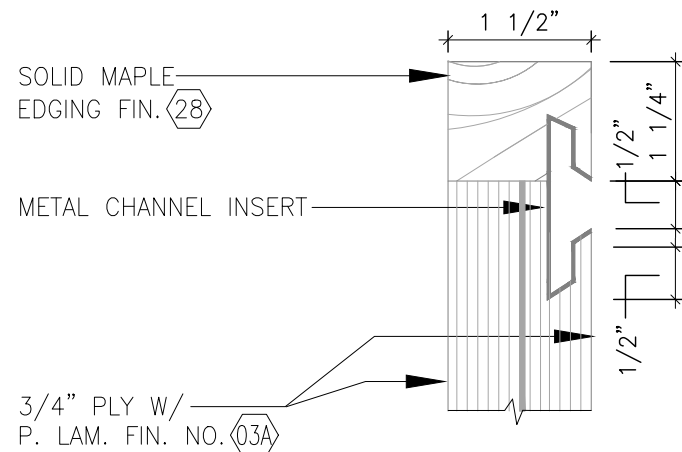


NOTE: SLOTTED STANDARDS TO BE INSTALLED LEVEL AND ALIGNED WITH EACH OTHER TO ENSURE SHELVES ARE LEVEL

PROVIDE 2 SLOTTED STANDARDS PER SIDE OF CENTER PANEL



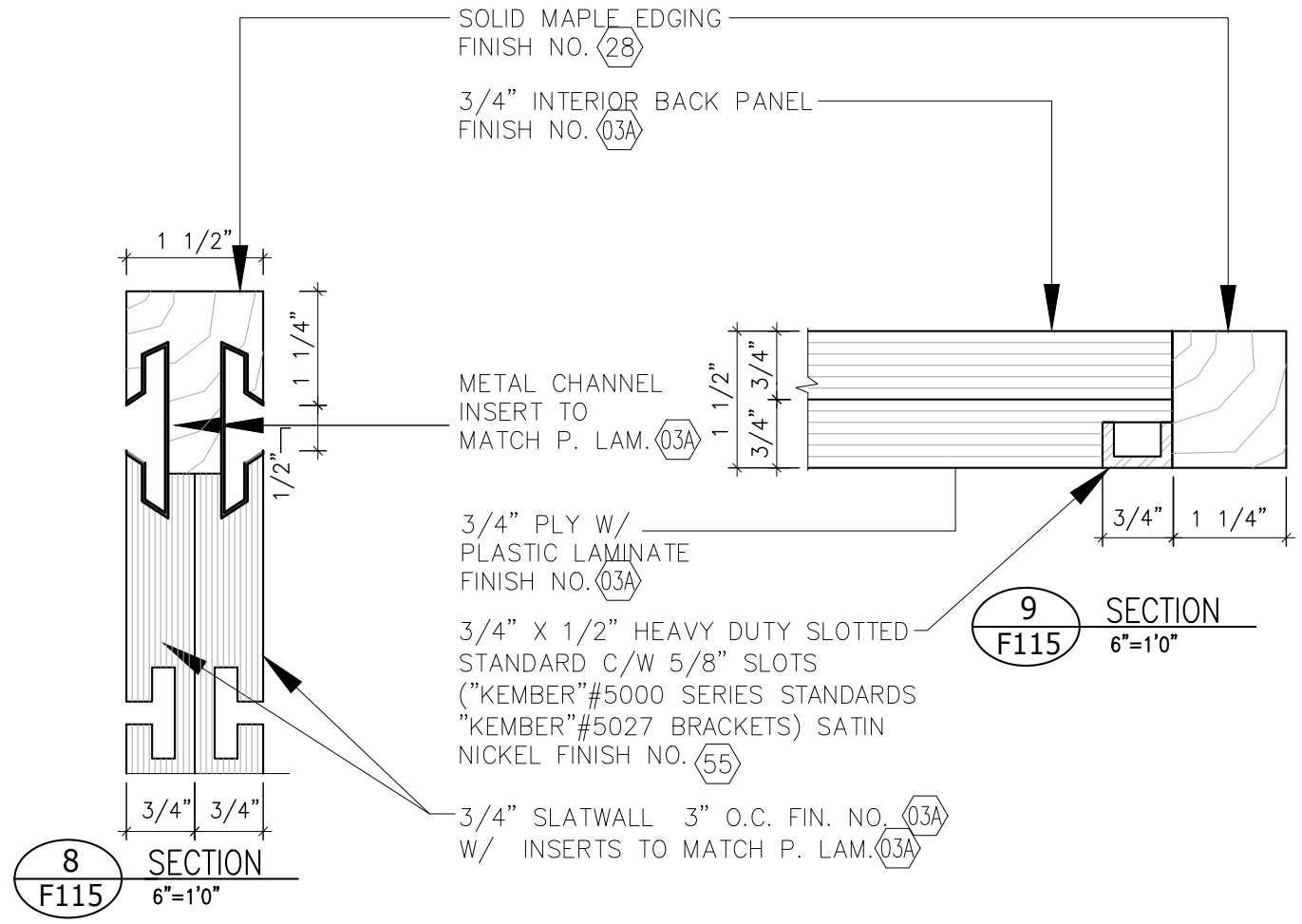
LCBO	100 CHECK-OUT AREA/VESTIBULE	REVISION DATE	REV.	1 of 4	ISSUE DATE	STORE TYPE	STORE #
	CASH DESK MERCHANDISER - TYPE 3	2021 MAR	17	F115	2021 APR		



NOTE 1: METAL REINFORCING CHANNEL: SPECIFICATION EM0197 T.A. DRUMMOND METAL 360 CARLINGVIEW DRIVE TO, ONT M9W 5X9 TEL: 1-888-557-0883

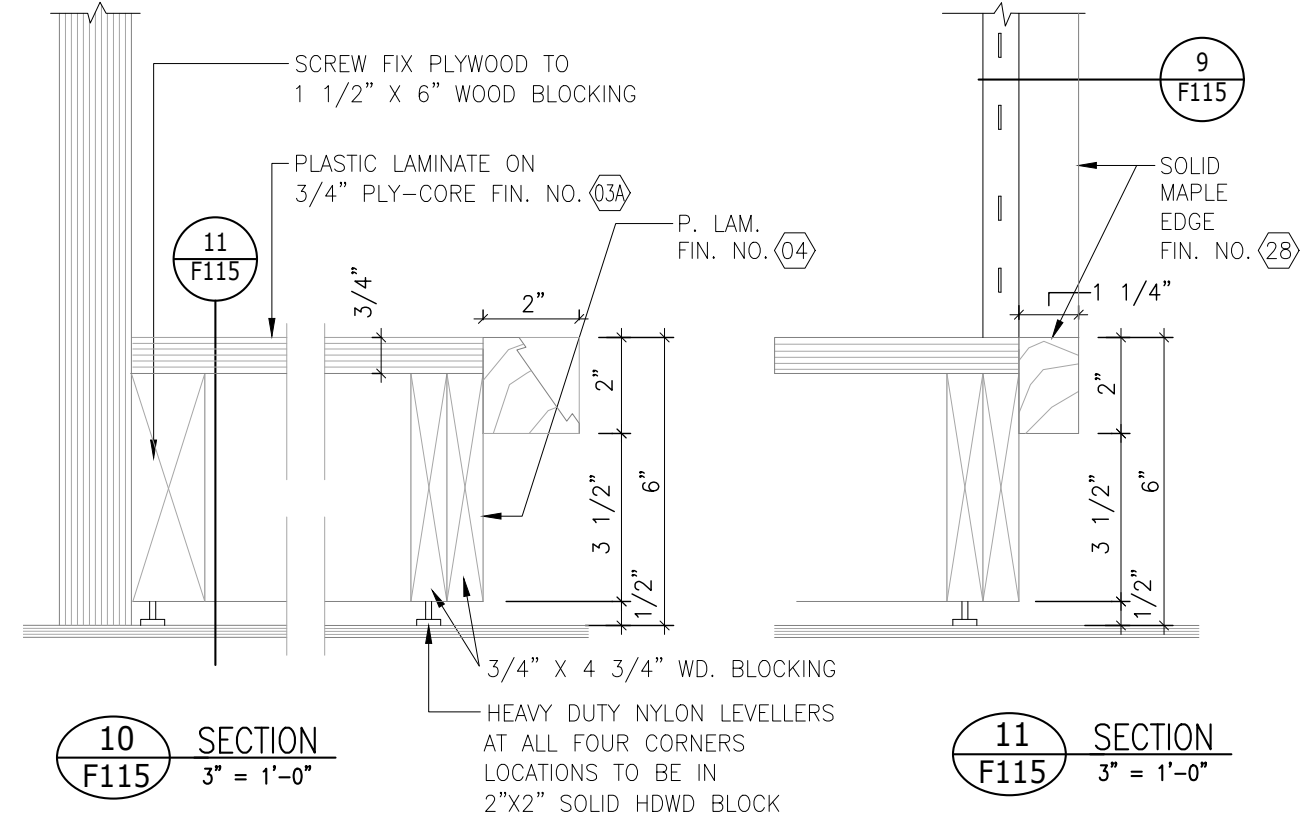
NOTE:
ALL SOLID WOOD GRADE TO BE FAS

7
SECTION
F115 6"=1'0"



9
SECTION
F115 6"=1'0"

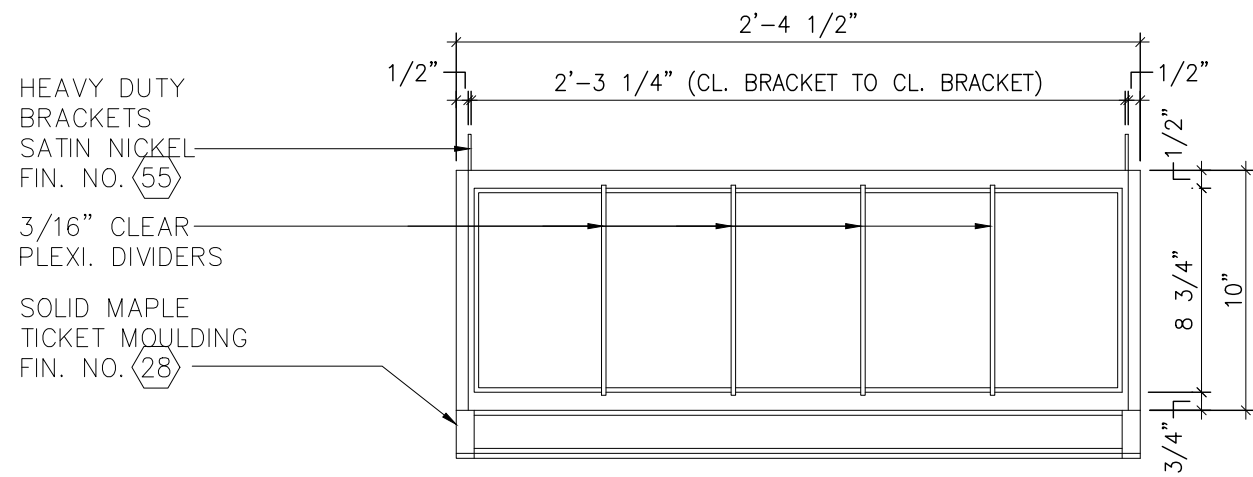
8
SECTION
F115 6"=1'0"



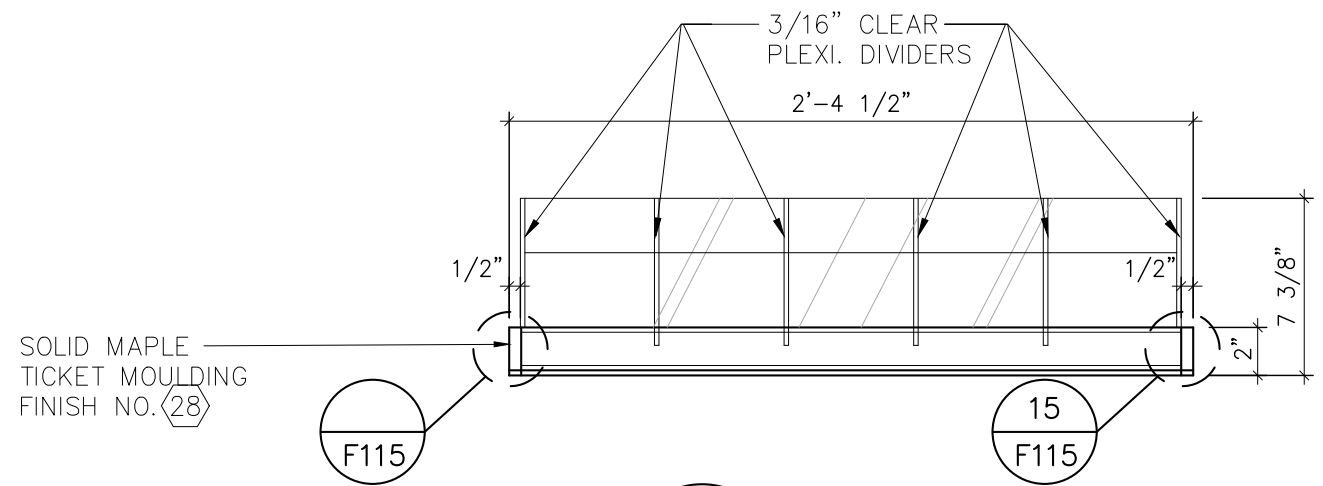
10
SECTION
F115 3" = 1'-0"

11
SECTION
F115 3" = 1'-0"

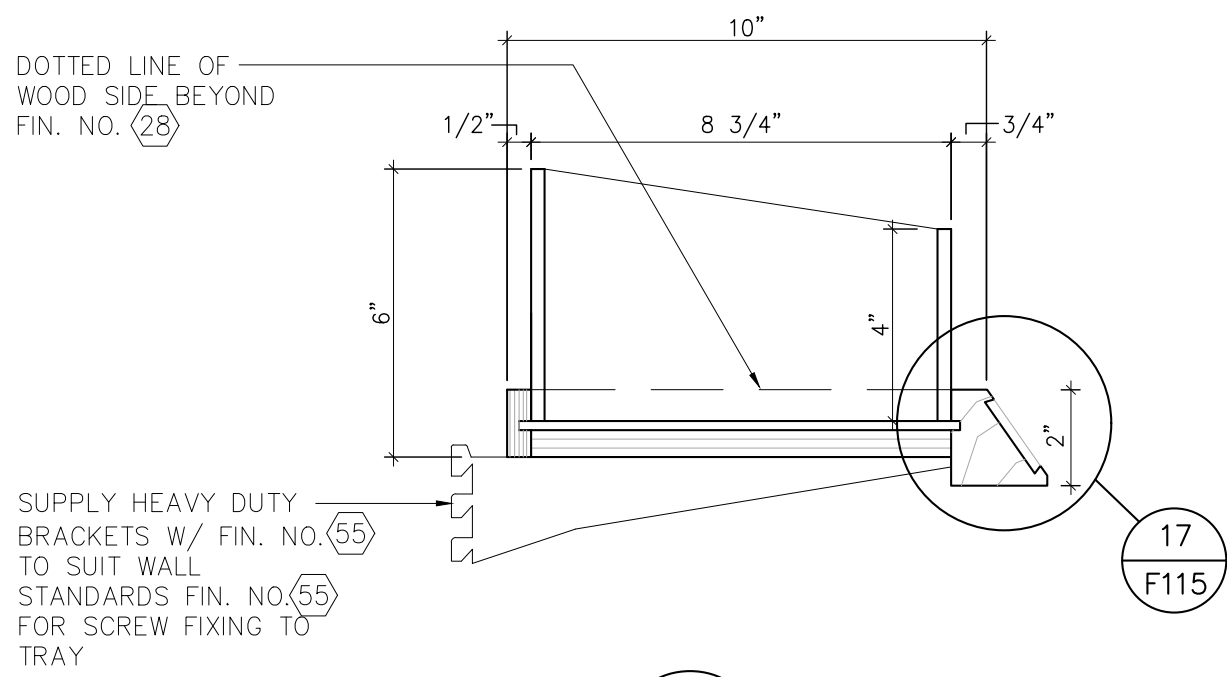
LCBO	100 CHECK-OUT AREA/VESTIBULE	REVISION DATE	REV.	2 of 4	ISSUE DATE	STORE TYPE	STORE #
	CASH DESK MERCHANDISER - TYPE 3	2021 MAR	17	F115	2021 APR		



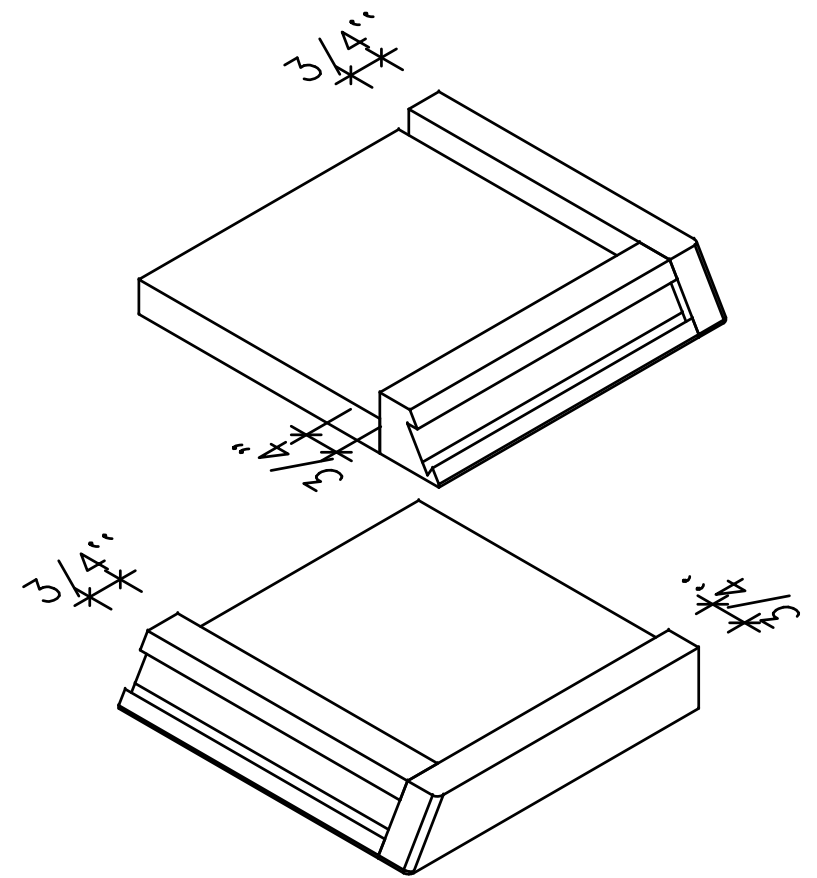
12 PLAN
F115 1 1/2" = 1'-0"



13 FRONT ELEVATION
F115 1 1/2" = 1'-0"

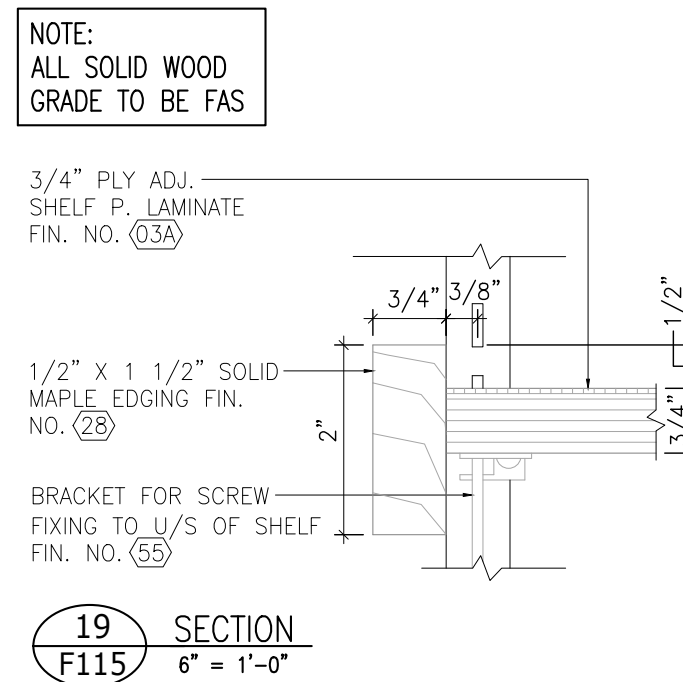
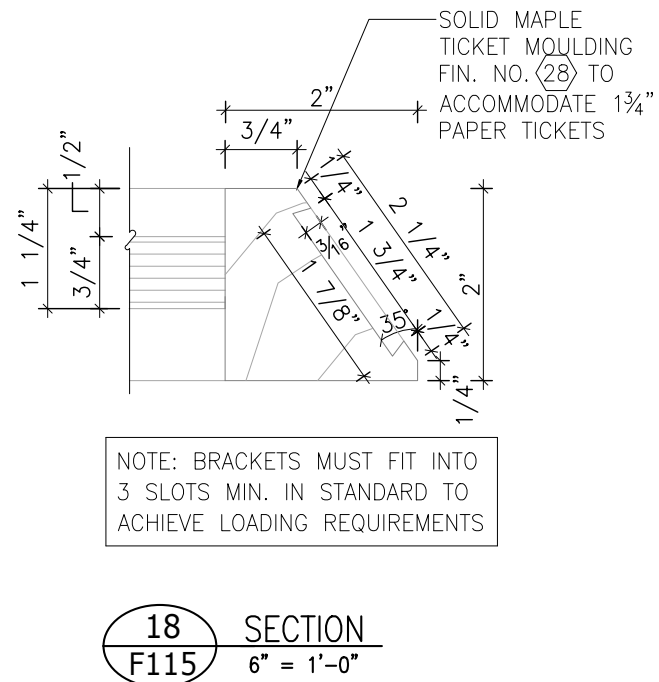
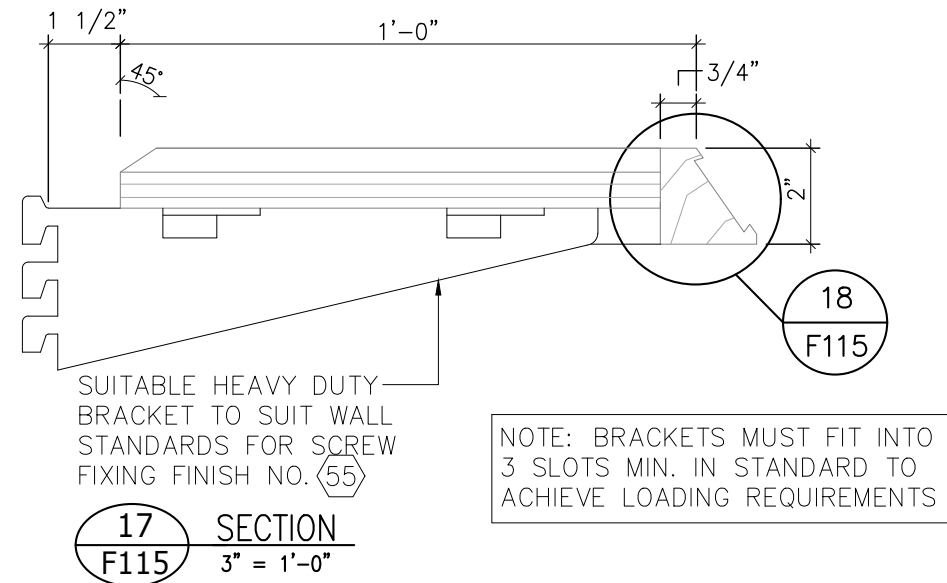
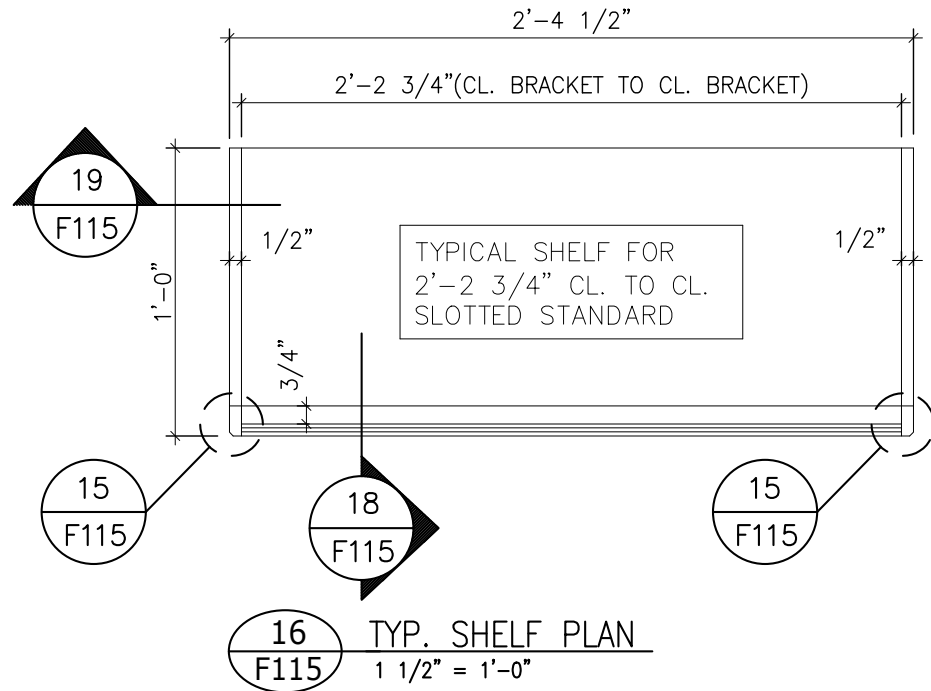


14 SECTION
F115 3" = 1'-0"

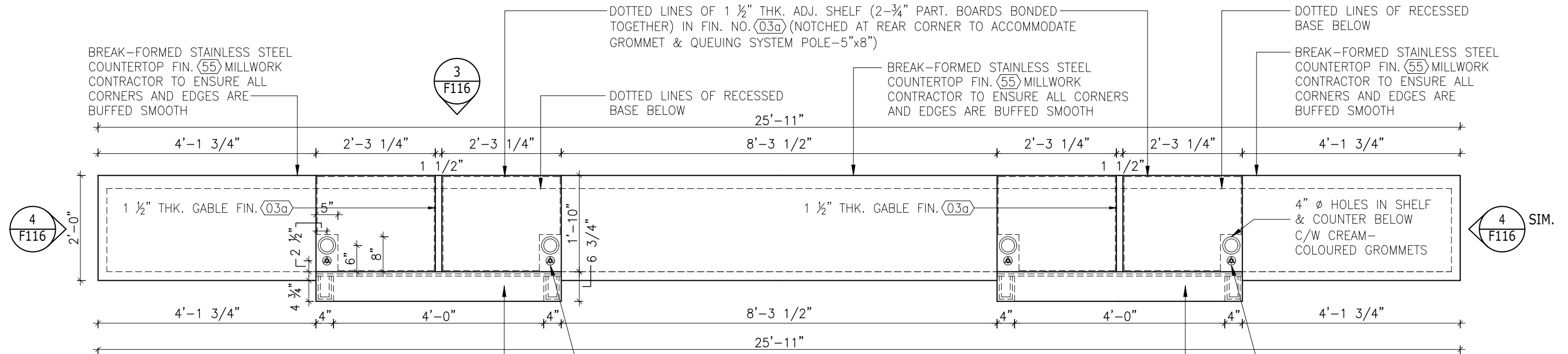


15 ISOMETRIC VIEWS - ANGLED WOOD BLOCK DETAIL
F115 AT ANGLED TICKET MOULDING

LCBO	100 CHECK-OUT AREA/VESTIBULE	REVISION DATE	REV.	3 of 4	ISSUE DATE	STORE TYPE	STORE #
	CASH DESK MERCHANDISER - TYPE 3	2021 MAR	17	F115	2021 APR		



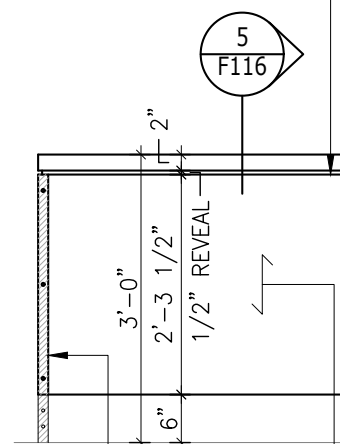
LCBO	100 CHECK-OUT AREA/VESTIBULE	REVISION DATE	REV.	4 of 4	ISSUE DATE	STORE TYPE	STORE #
	CASH DESK MERCHANDISER - TYPE 3	2021 MAR	17	F115	2021 APR		



1 PLAN
F116 1/2" = 1'-0"

BREAK-FORMED STAINLESS STEEL COUNTERTOP FIN. (55) MILLWORK CONTRACTOR TO ENSURE ALL CORNERS AND EDGES ARE BUFFED SMOOTH
1/2" REVEAL IN P. LAM. FIN. NO. (05)

SOLID SURFACE FIN. (60) W/ BEVELLED EDGES AS PER 8/F116



SOLID SURFACE FIN. NO. (60) W/ BEVELLED EDGES AS PER 8/F116

RECESSED CHANNEL SEE 10/F116

SOLID SURFACE FIN. (60) W/ BEVELLED EDGES AS PER 8/F116

RECESSED BASE FIN. NO. (04)

P. LAM. FIN. NO. (05) SEE GENERAL NOTES FOR SPEC. (NO VISIBLE SEAMS PERMITTED)

DIRECTION OF P. LAM. WOOD GRAIN

1 1/4" x 1 1/4" METAL CORNER GUARD FIN. (55) SECURED W/ 3 COUNTERSUNK SCREWS

2 ELEVATION
F116 1/2" = 1'-0"

DOTTED LINES OF 1 1/2" THK. ADJ. SHELF (2-3/4" PART. BOARDS BONDED TOGETHER) IN FIN. NO. (03a) (NOTCHED AT REAR CORNER TO ACCOMMODATE GROMMET & QUEUING SYSTEM POLE-5"x8")

DOTTED LINES OF RECESSED BASE BELOW

BREAK-FORMED STAINLESS STEEL COUNTERTOP FIN. (55) MILLWORK CONTRACTOR TO ENSURE ALL CORNERS AND EDGES ARE BUFFED SMOOTH

DOTTED LINES OF RECESSED BASE BELOW

BREAK-FORMED STAINLESS STEEL COUNTERTOP FIN. (55) MILLWORK CONTRACTOR TO ENSURE ALL CORNERS AND EDGES ARE BUFFED SMOOTH

1 1/2" THK. GABLE FIN. (03a)

4" Ø HOLES IN SHELF & COUNTER BELOW C/W CREAM-COLOURED GROMMETS

2 ELEVATION
F116 1/2" = 1'-0"

QUEUING SYSTEM NUMBERED 48" FRAMELESS POLE W/ ETCHED STATION LIGHT (SATIN FINISH) FOUR IN TOTAL (ILLUM.) BY LAVI INDUSTRIES TEL: 1-888-285-8605

SOLID SURFACE FIN. NO. (60) W/ BEVELLED EDGES AS PER 8/F116

RECESSED CHANNEL SEE 10/F116

SOLID SURFACE FIN. (60) W/ BEVELLED EDGES AS PER 8/F116

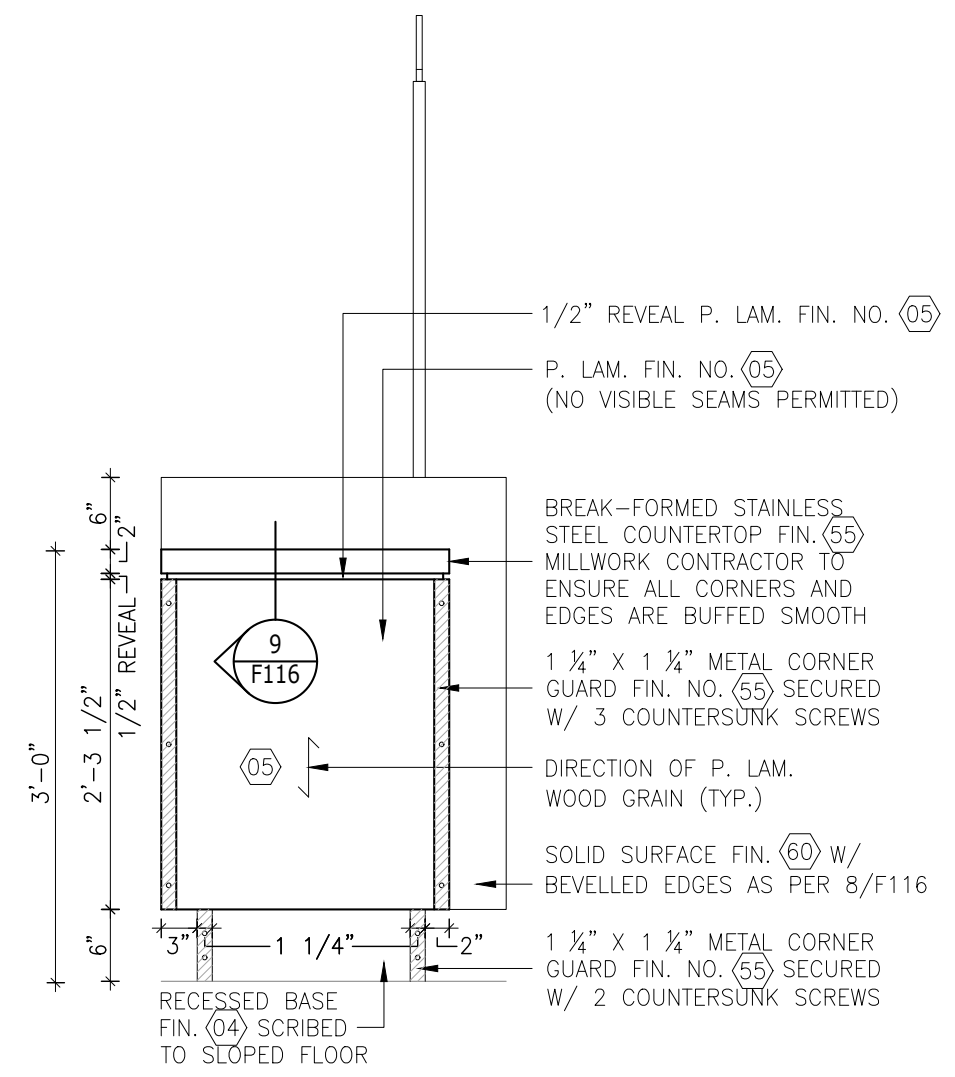
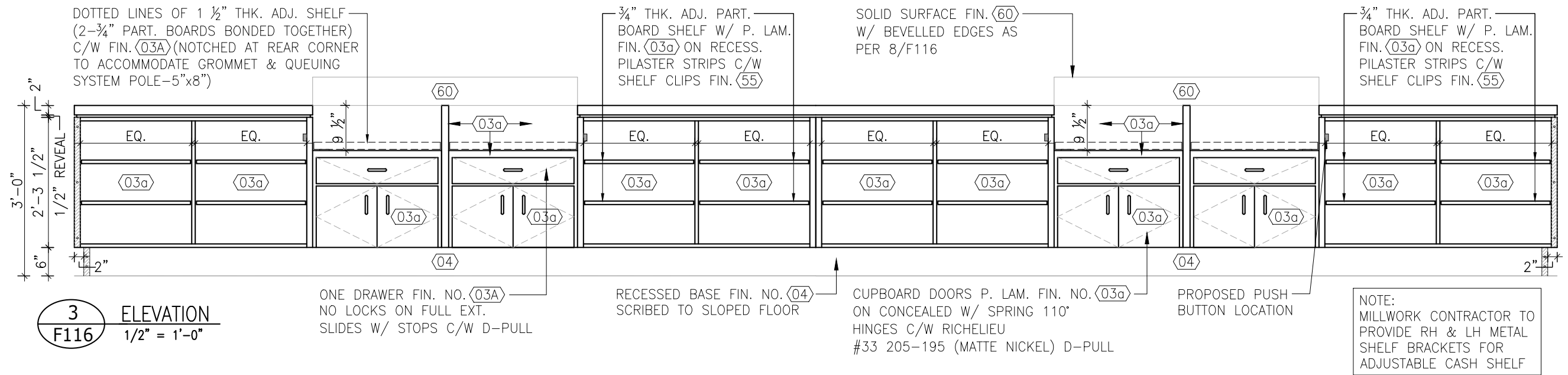
RECESSED BASE FIN. NO. (04)

P. LAM. FIN. NO. (05) SEE GENERAL NOTES FOR SPEC. (NO VISIBLE SEAMS PERMITTED)

DIRECTION OF P. LAM. WOOD GRAIN

1 1/4" x 1 1/4" METAL CORNER GUARD FIN. (55) SECURED W/ 3 COUNTERSUNK SCREWS

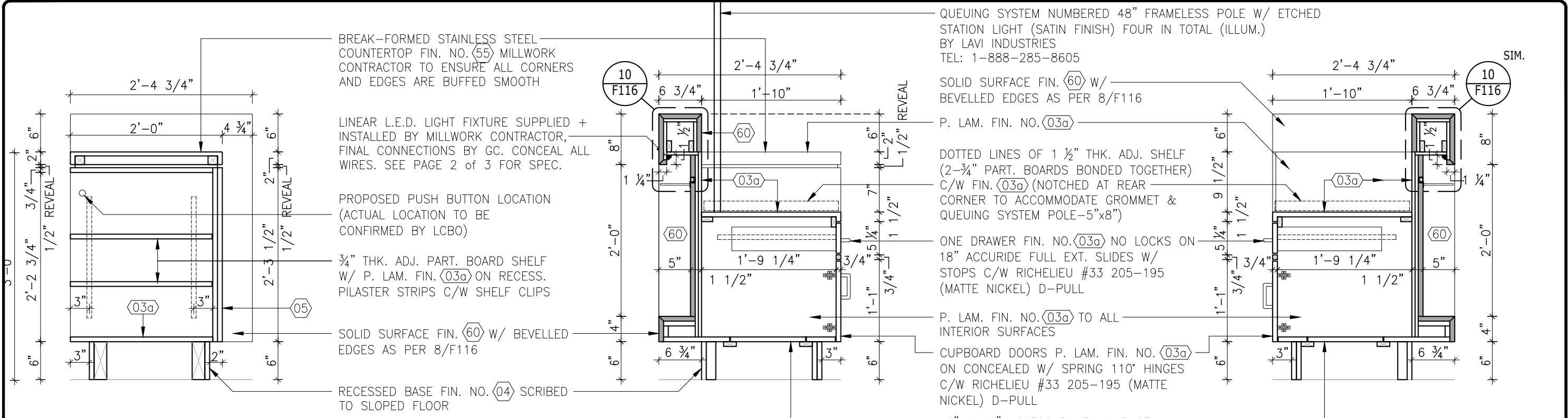
LCBO	100 CHECK-OUT AREA/VESTIBULE		REVISION DATE	REV.	1 of 3	ISSUE DATE	STORE TYPE	STORE #
	STRAIGHT CASH DESK		2021 MAR	17	F116	2021 APR		



LIGHTING SPECIFICATIONS: (8 REQ'D.)

LED LIGHTSTRIPS BY TECHNILITE:
 MODEL#: L3-32-GI-SEB
 LENGTH=12"
 OUTPUT=2.4 WATTS / 97 LUMENS PER FT.
 COLOUR TEMP. 3200°K
 DURATION: 50,000 HRS

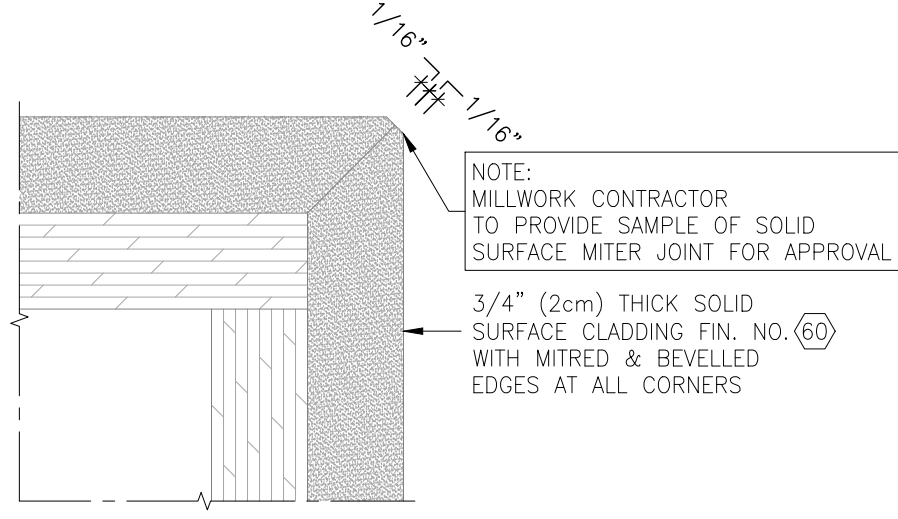
LCBO	100 CHECK-OUT AREA/VESTIBULE	REVISION DATE	REV.	2 of 3	ISSUE DATE	STORE TYPE	STORE #
	STRAIGHT CASH DESK	2021 MAR	17	F116	2021 APR		



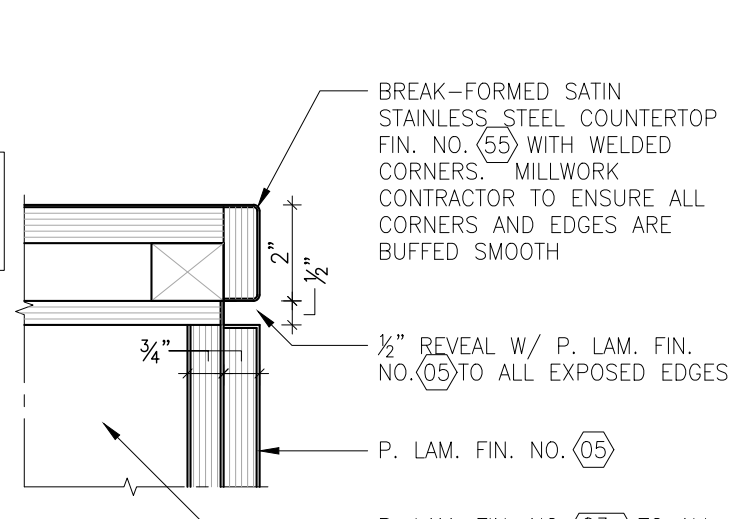
5 SECTION
F116 3/4" = 1'-0"

6 SECTION
F116 3/4" = 1'-0"

7 SECTION
F116 3/4" = 1'-0"

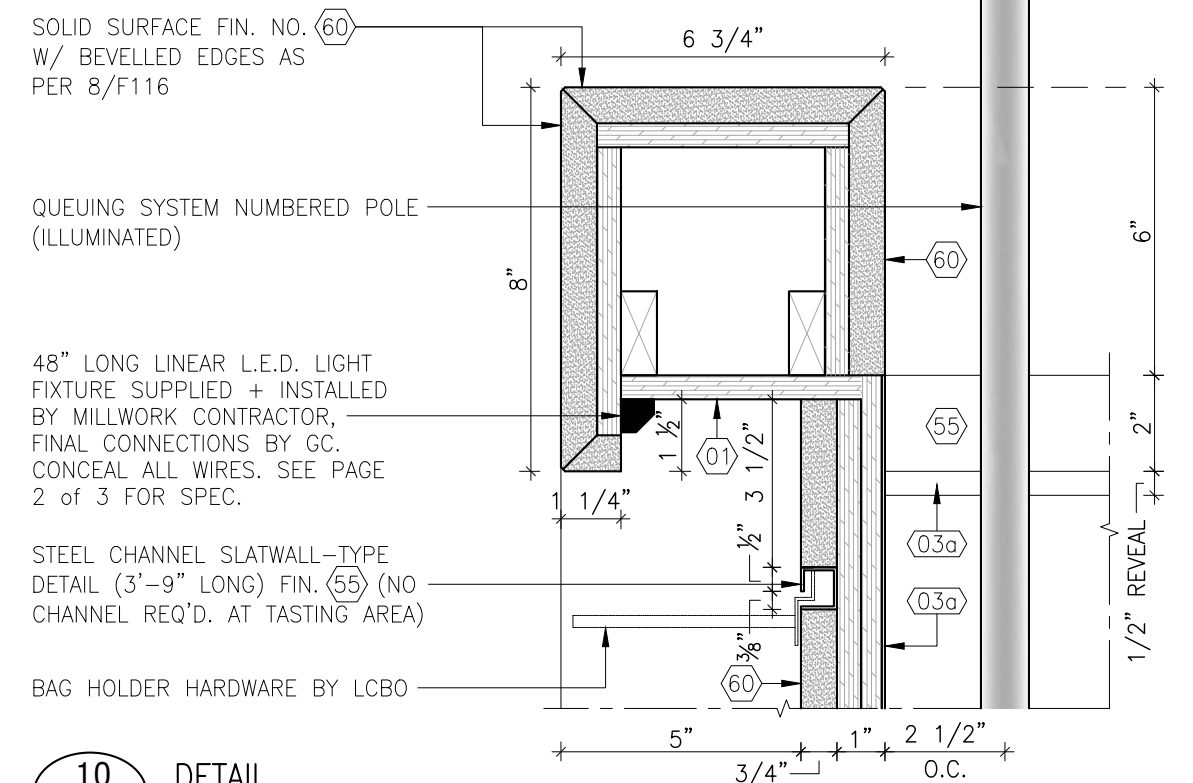


8 DETAIL
F116 FULL SCALE



9 DETAIL
F116 3" = 1'-0"

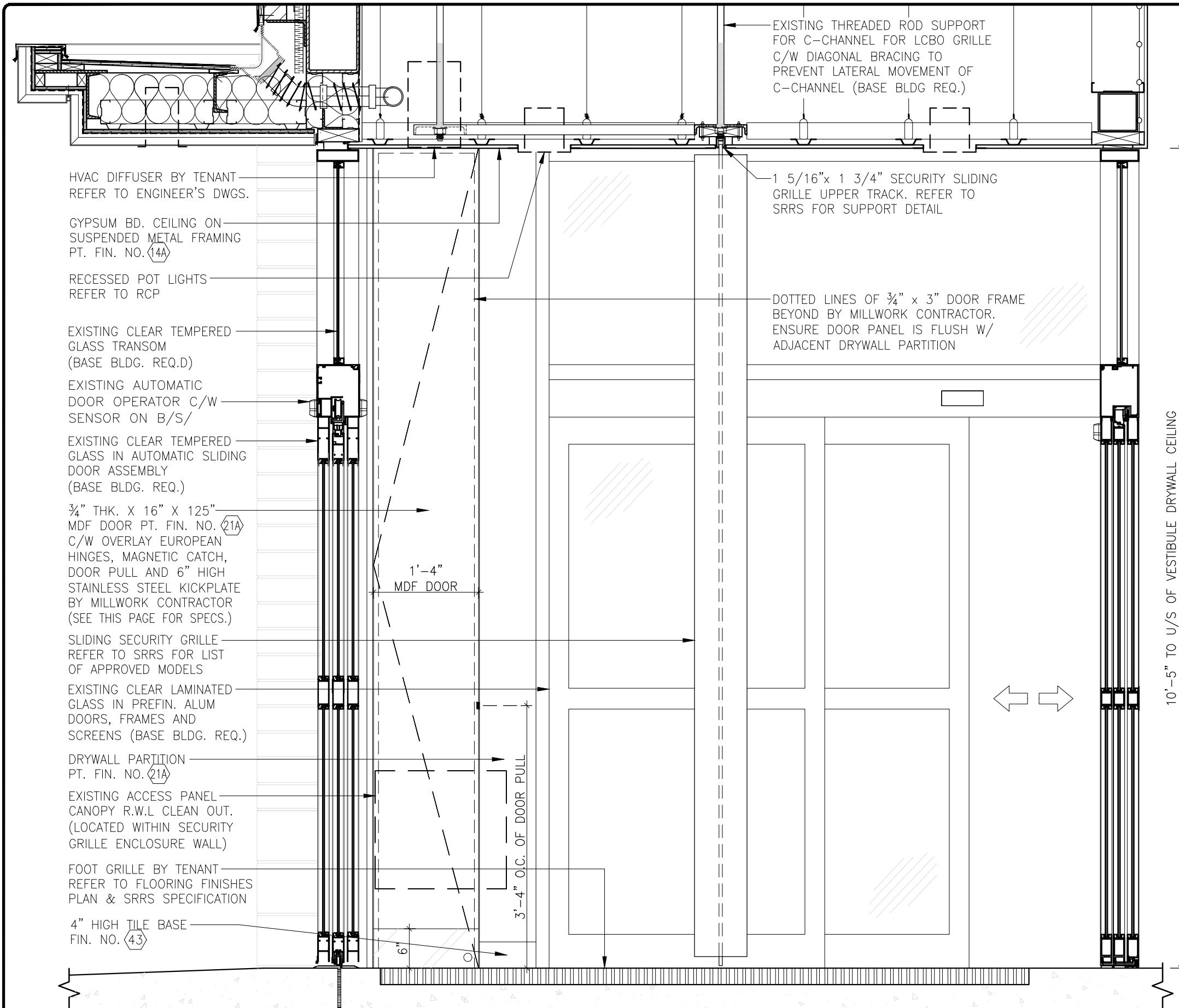
- GENERAL NOTES:**
- BASE & STRUCTURAL COMPONENTS TO BE 3/4" PLYWOOD CONSTRUCTION WITH DESIGNATED FINISH.
 - DRAWERS TO BE CONSTRUCTED OF SOLID 1/2" BALTIC BIRCH W/ CLEAR LACQUER FINISH.
 - ALL OTHER CONSTRUCTION TO BE 3/4" PARTICLE BOARD WITH DESIGNATED FINISH UNLESS NOTED OTHERWISE.
 - ALL EDGES & CORNERS OF SATIN STAINLESS STEEL COUNTERTOP TO BE WELDED AND BUFFED SMOOTH.
 - ALL SCREWS IN METAL CORNER GUARDS TO MATCH FINISH OF CORNER GUARD/TRIM AND BE COUNTERSUNK. ALL SHARP EDGES TO BE MADE SMOOTH TO ENSURE SAFETY OF CUSTOMERS AND STAFF.
 - NO VISIBLE SEAMS IN P. LAM. PERMITTED.
 - SOLID SURFACE MATERIAL TO BE 3/4" THICKNESS
 - REFER TO ARCHITECTURAL PLANS FOR ACTUAL CONFIGURATIONS OF CASH DESKS.



10 DETAIL
F116 3" = 1'-0"

NOTE:
MILLWORK CONTRACTOR TO ENSURE THAT FIXTURE IS CONSTRUCTED SO THAT LIGHT FIXTURES CAN BE SERVICED AND/OR REMOVED WITHOUT DISMANTLING MILLWORK

LCBO	100 CHECK-OUT AREA/VESTIBULE	REVISION DATE	REV.	3 of 3	ISSUE DATE	STORE TYPE	STORE #
	STRAIGHT CASH DESK	2021 MAR	17	F116	2021 APR		



DOOR HARDWARE SPECIFICATIONS:

HINGES: RICHELIEU #95M155180
BLUM HINGE (6 REQ'D.)

RICHELIEU #193L810180
BLUM HINGE MOUNTING PLATE (6 REQ'D.)

PULL: RICHELIEU #98982510
ALUMINUM EDGE MOUNT PULL

LOCK: HAFELE #235.08.303
TIMBERLINE GRASS CAM LOCK
HAFELE #210.04.606 LOCK BARREL
HAFELE #210.04.062 LOCK CYLINDER ROSETTE

MAGNETIC CATCH: RICHELIEU #BP52030 MAGNETIC CATCH

STAINLESS STEEL KICK PLATE: WILSONART #6277

10'-5" TO U/S OF VESTIBULE DRYWALL CEILING

RETAIL

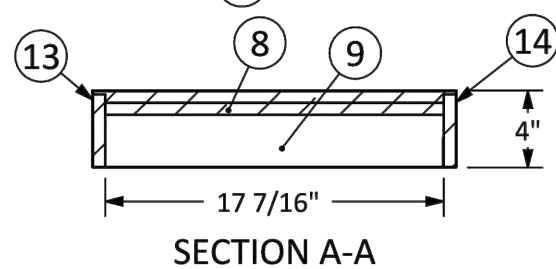
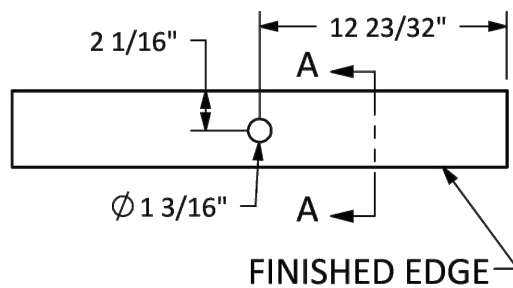
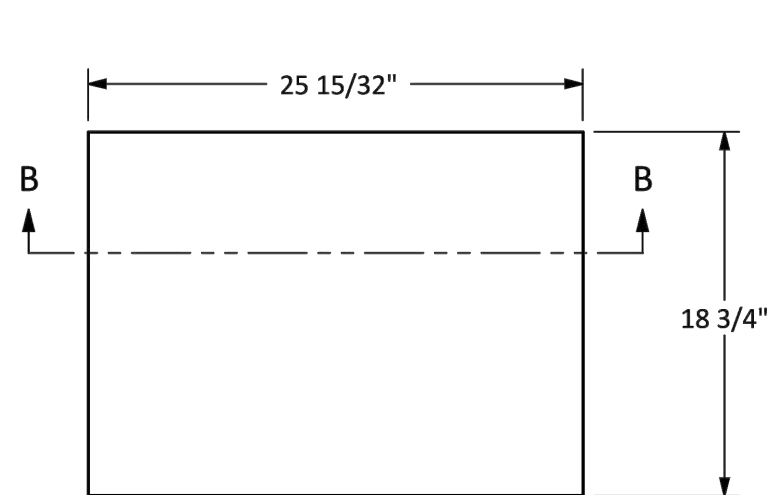
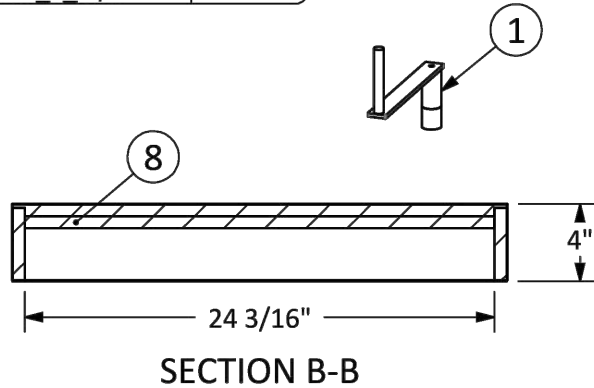
1 ELEVATION/SECTION
F117 3/4" = 1'-0"

LCBO	100 CHECK-OUT AREA/VESTIBULE	REVISION DATE	REV.	1 OF 1	ISSUE DATE	STORE TYPE	STORE #
	GRILLE ENCLOSURE POCKET DOOR PANEL DETAIL	2021 MAR	17	F117	2021 APR		

ISSUED FOR PRODUCTION
AND INSTALLATION
April 20th, 2018

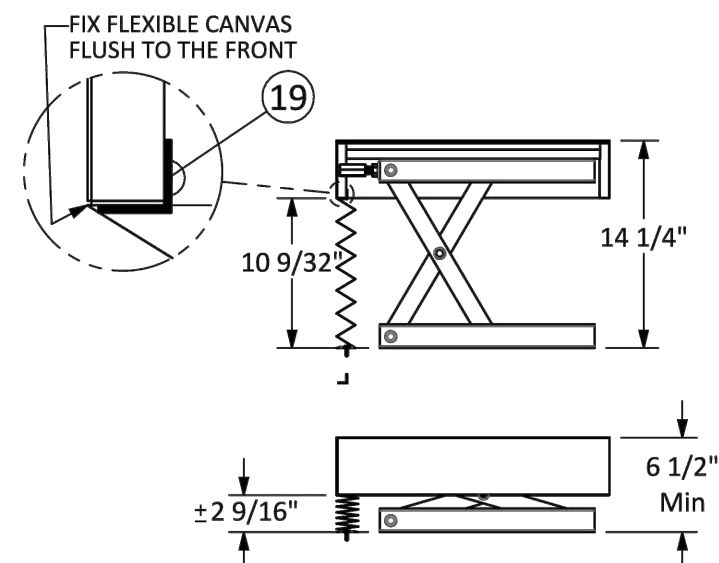
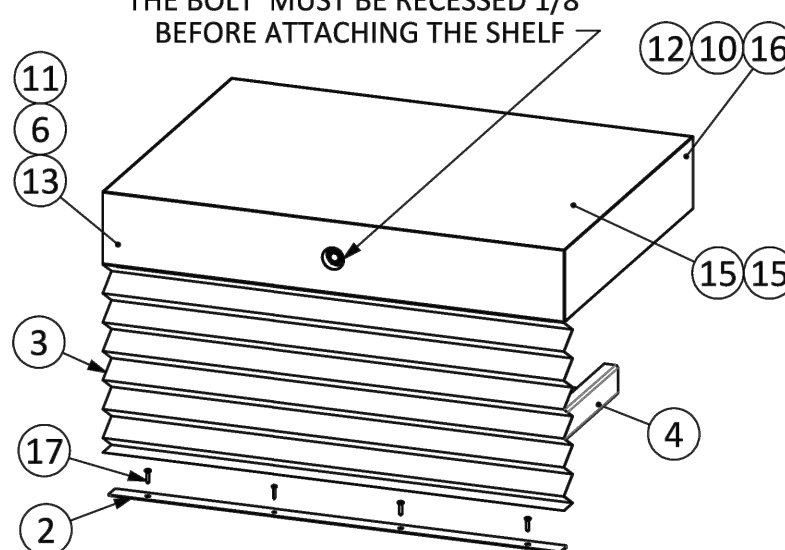
PROGRAMMATION BIESSE

LOCATION LCBO / 042-6792619	
MAT'L	QTÉ
RIP 4x8 5/8"	1/2
GB_x_ 5/8"	-
GB_x_ 5/8"	-



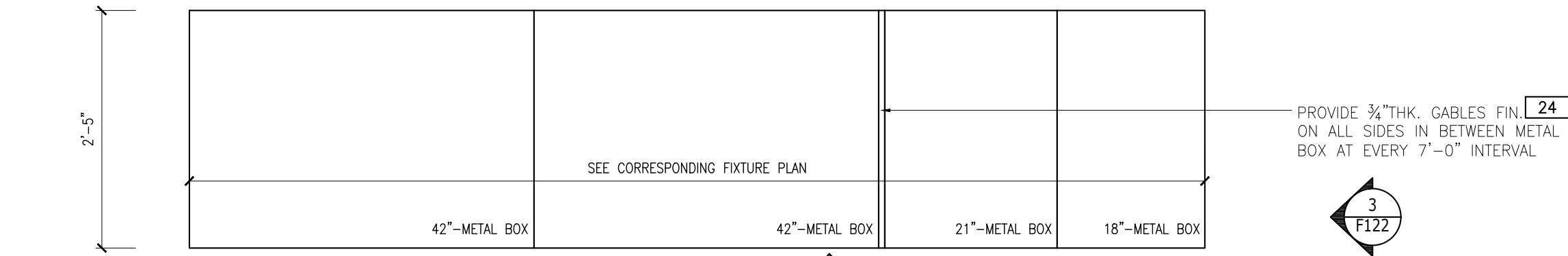
ITEM	No PRODUIT	Description_AN	LONG.(WG)	LARG.	THICK.	Qty	TO SEND
1	042-679X	CRANK HANDLE	-	-	-	1	YES
2	042-67925F	STEEL PLATE TO FIX CANVAS	-	-	-	1	YES
3	042-67925T	FLEXIBLE CANVAS	25 1/2	-	-	1	
4	042-6791815	ADJUSTABLE SHELF SYSTEM	-	-	-	1	
5	101RIP200	PRESSWOOD 5/8"X49"X97"	25 7/16"	18 11/16"	5/8"	1	
6	101RIP200	PRESSWOOD 5/8"X49"X97"	25 7/16"	3 3/4"	5/8"	1	
7	101RIP200	PRESSWOOD 5/8"X49"X97"	25 7/16"	3 3/4"	5/8"	1	
8	101RIP200	PRESSWOOD 5/8"X49"X97"	24 3/16"	17 7/16"	5/8"	1	
9	101RIP200	PRESSWOOD 5/8"X49"X97"	18 9/32"	3 3/4"	5/8"	1	
10	101RIP200	PRESSWOOD 5/8"X49"X97"	18 9/32"	3 3/4"	5/8"	1	
11	105BOR177	EDGE 1MM. X 15/16"ALMOND #920 PANVAL	25 7/16"	15/16	1/32"	2	
12	105BOR177	EDGE 1MM. X 15/16"ALMOND #920 PANVAL	17 7/16"	15/16	1/32"	2	
13	105PLA100-920	FORMICA #920 1/32" 4X8 FINI #38 AMANDE	25 15/32"	3 15/16"	1/32"	1	
14	105PLA100-920	FORMICA #920 1/32" 4X8 FINI #38 AMANDE	25 15/32"	3 15/16"	1/32"	1	
15	105PLA100-920	FORMICA #920 1/32" 4X8 FINI #38 AMANDE	25 1/2"	18 3/4"	1/32"	1	
16	105PLA100-920	FORMICA #920 1/32" 4X8 FINI #38 AMANDE	18 11/16"	3 15/16"	1/32"	2	
17	118VIS172	#8 SCREW 3/4"LONG, PAN HEAD	-	-	-	4	YES
18	118VIS177	#8 SCREW 3/4" LONG, FLAT HEAD-LO ROOT	-	-	-	8	YES
19	ALBY02-24	ALUMINUM ANGLE	-	-	-	1	

IMPORTANT
THE BOLT MUST BE RECESSED 1/8"
BEFORE ATTACHING THE SHELF



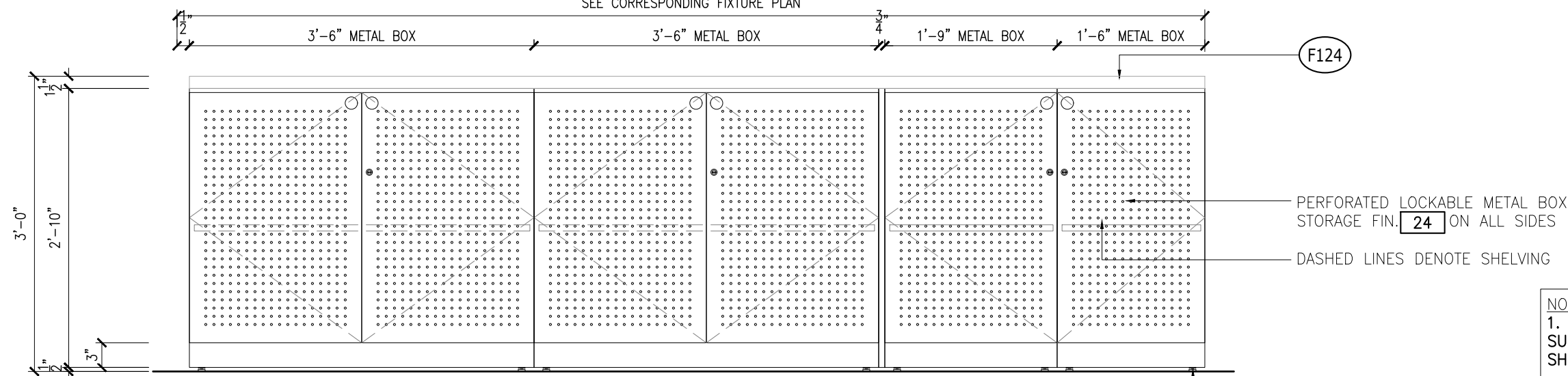
Vicmobilier Vicstore		Description: SHELF C/W ADJUSTABLE SYSTEM	
W:\dessin\042\	Fabrication Bois	POUNDS: 30.91394 Lbs	
All the information contained in this drawing is the sole property of Vic Store Fixtures. Any reproduction or change without written notice is prohibited.		Dess. Dany B.	Date 03-20-15
TOLERANCES GENERALES (SI NON SPÉCIFIÉES / IF NOT SPECIFIED) Fractions: ±1/16" Angles: ±0.5°		Verif. Jimmy G.	Date 03-20-15
Sheet 1 de 1	No. of plan: 042-6792619-ENG	Rev: 0	

REV	DESCRIPTION	DATE	Init.
REVISIONS			

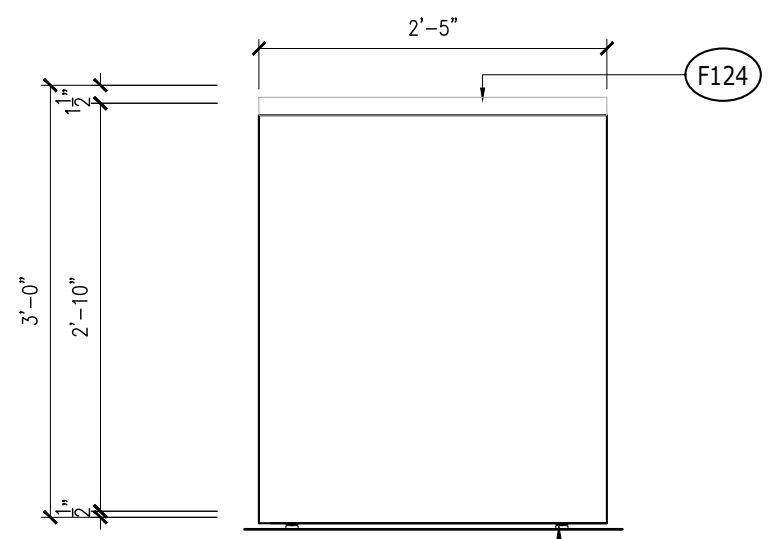


1 PLAN
F122 3/4" = 1'-0"

2 F122



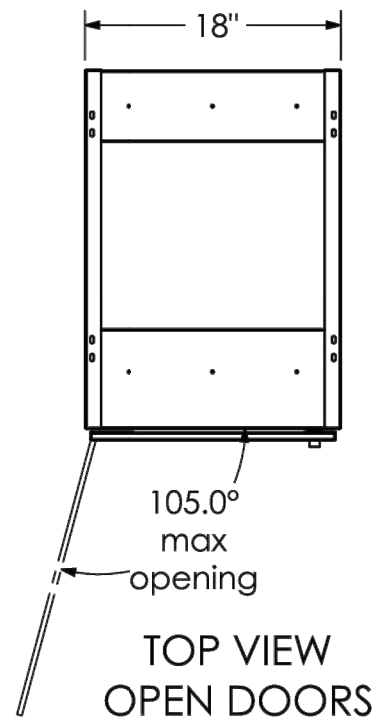
2 ELEVATION
F122 3/4" = 1'-0"



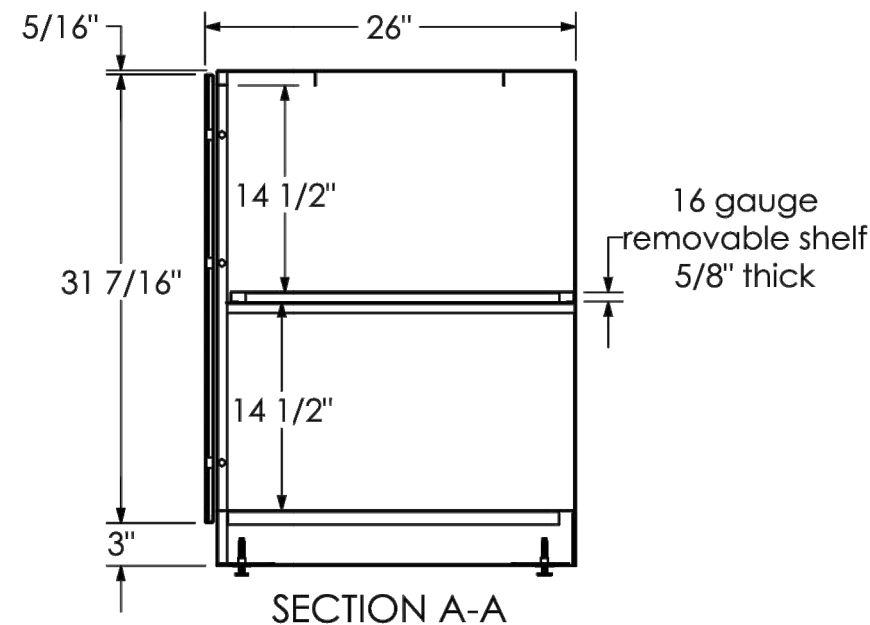
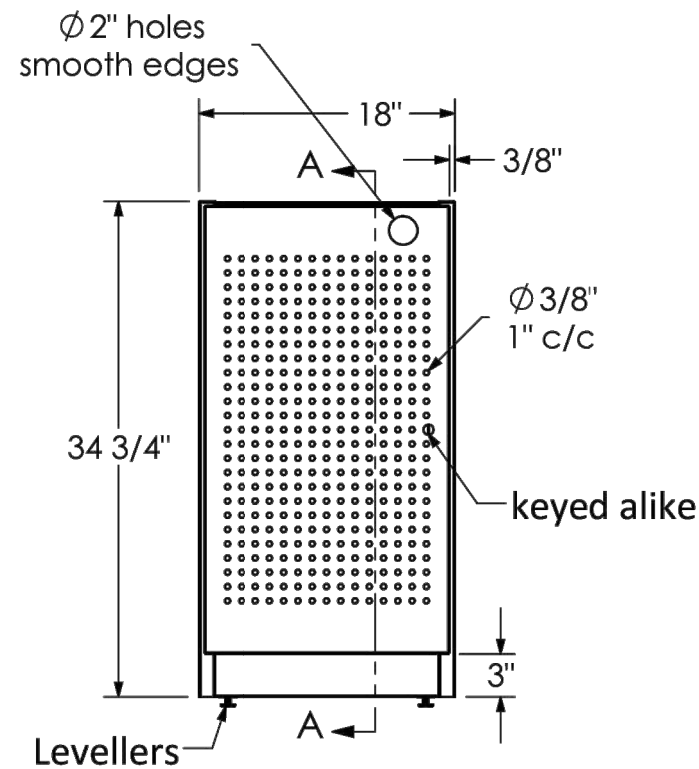
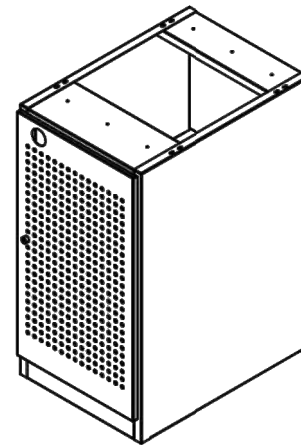
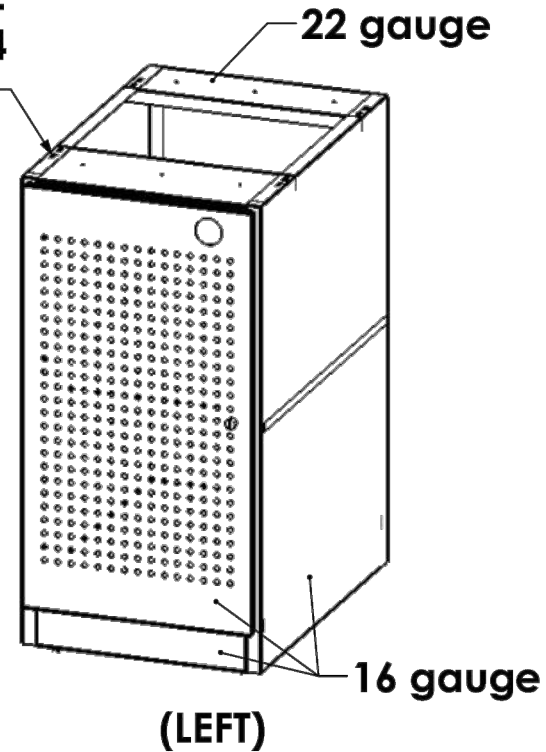
3 SIDE ELEVATION
F122 3/4" = 1'-0"

- NOTES:
1. LOCKABLE PERFORATED METAL BOXES TO BE SUPPLIED AND INSTALLED BY APPROVED METAL SHELVING SUPPLIER.
 2. METAL BOX COMES IN 3 DIFFERENT SIZES: 42"L. 21"L. & 18"L. QUANTITY OF EACH IS VARIED. REFER TO CORRESPONDING FIXTURE PLAN. SEE ALSO ILLUSTRATED IMAGES OF DIFFERENT SIZES & COMPONENTS.
 3. METAL BOX TO HAVE LOCKABLE PERFORATED METAL DOORS AND SHELVING INSIDE W/ INTEGRATED FINGER PULLS AND KEY ALIKE.
 4. METAL SHELVING SUPPLIER TO SUPPLY AND INSTALL 3/4" THK. GABLES AT 7'-0" INTERVAL (REFER TO FIXTURE PLAN FOR QUANTITY), END GABLES W/ METAL GUARD AND LEVELERS.
 5. METAL SHELVING SUPPLIER TO COORDINATE W/ MILLWORK CONTRACTOR FOR SIZE OF COUNTER TOP AND INSTALLATION REQUIREMENT. MILLWORKER TO INSTALL COUNTER TOP. G.C. TO COORDINATE ON SITE.

LCBO	F100 - CHECK-OUT AREA/VESTIBULE	REVISION DATE	REV.	1 of 5	ISSUE DATE	STORE TYPE	STORE #
	LOCKABLE METAL BOX STORAGE	2021 MAR	17	F122	2021 APR		

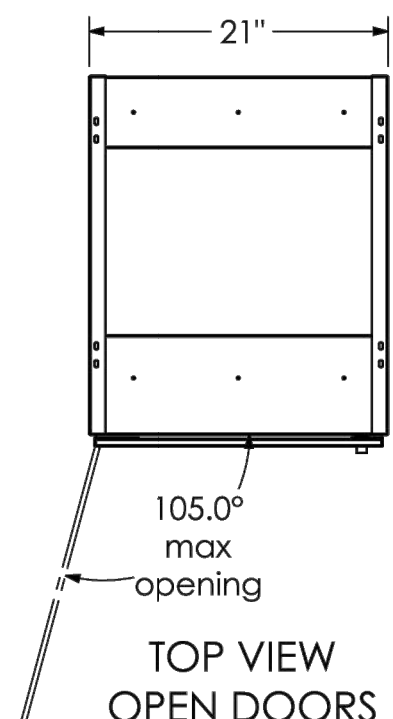


**ALL METAL
FINISH #24
VIC P139**

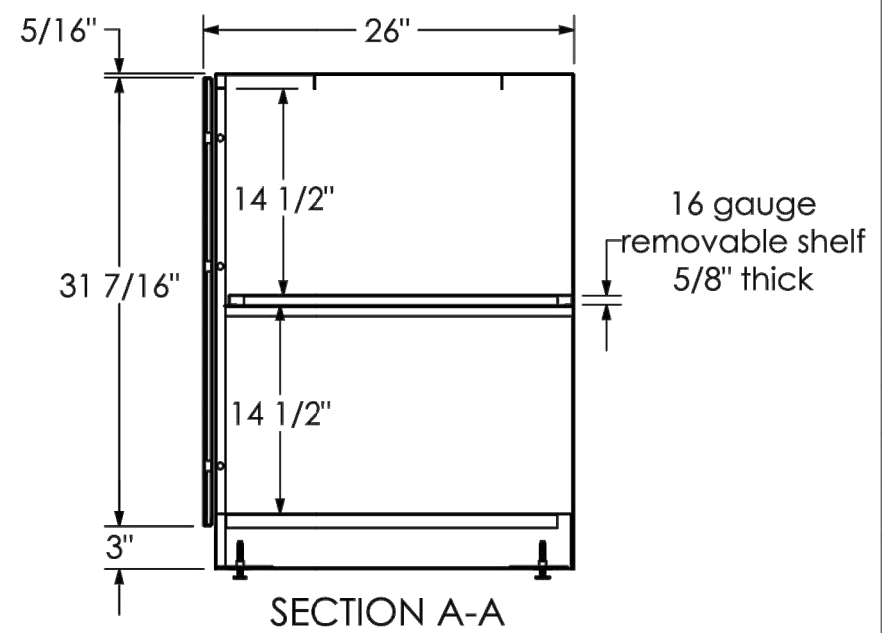
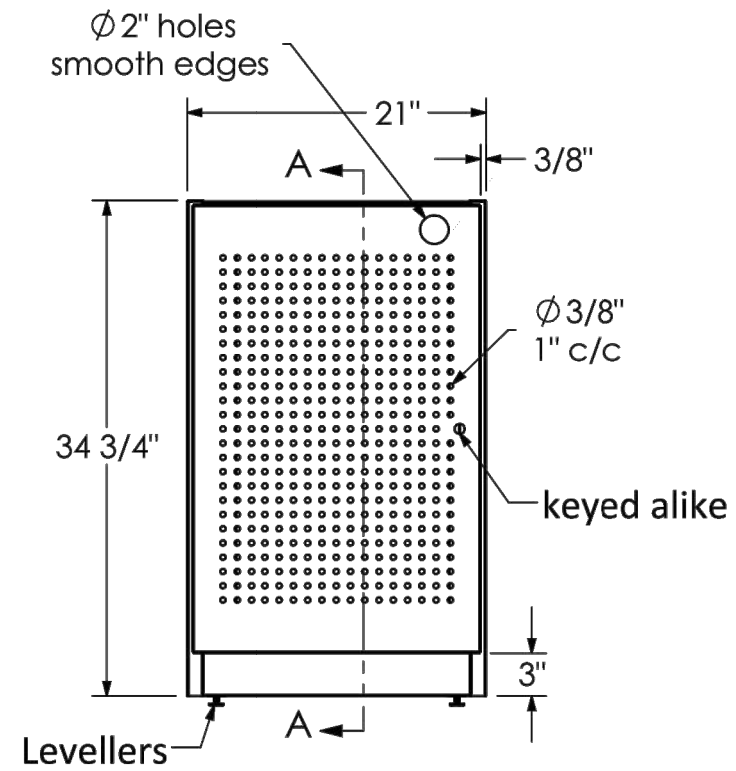
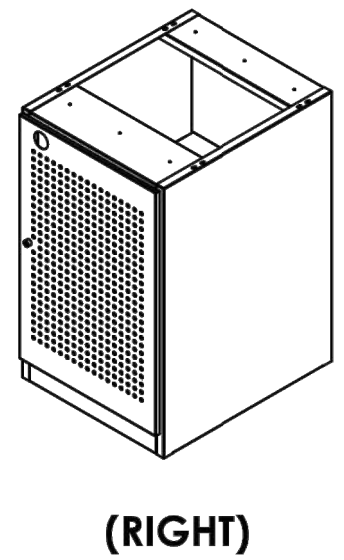
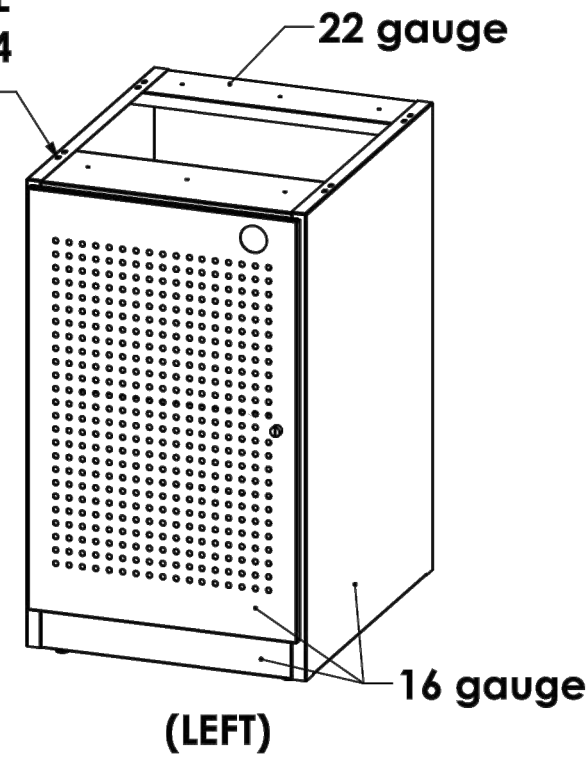


Plan Number: 042-84418LRH APPROBATION	
Description: BOX STORAGE CAGE WITH LOCK AND SHELF	
General note:	
W:\dessin\042\	
Fabrication:	
Pounds 9.42 Lbs	
Tolerances Fractions: ±1/16" Angles: ±0.5°	
Author: Elise G.	Date 13-10-20
Verified by	
All the information contained in this drawing is the sole property of Vic Store Fixtures. Any reproduction or change without written notice is prohibited.	
Sheet 1 of 1	

LCBO	F100 - CHECK-OUT AREA/VESTIBULE	REVISION DATE	REV.	2 of 5	ISSUE DATE	STORE TYPE	STORE #
	LOCKABLE METAL BOX STORAGE	2021 MAR	17	F122	2021 APR		



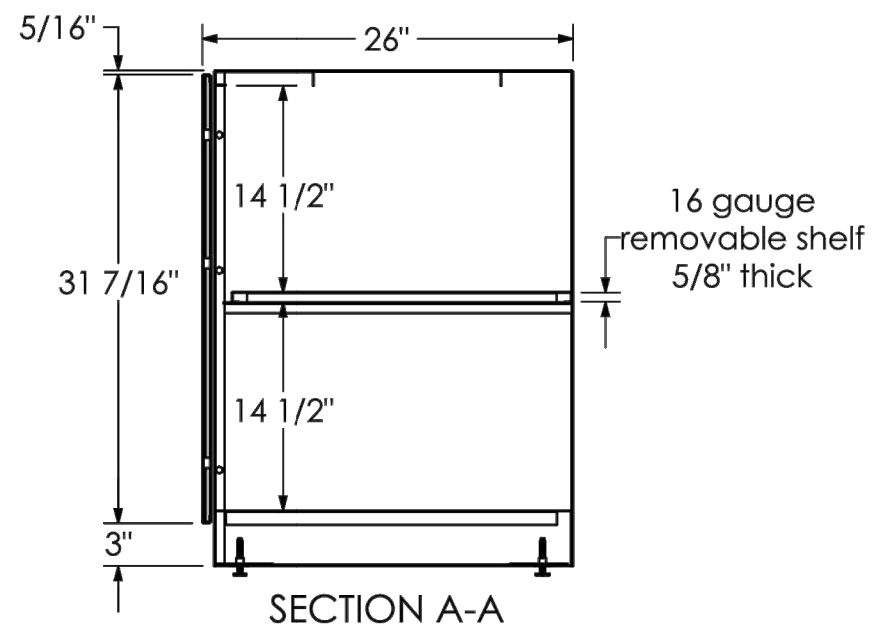
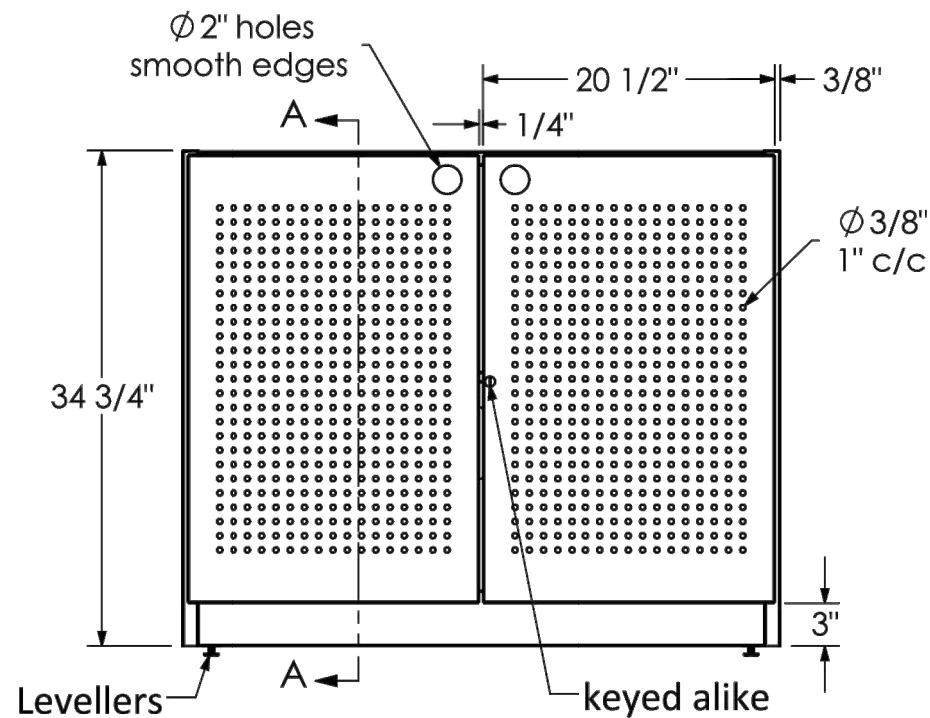
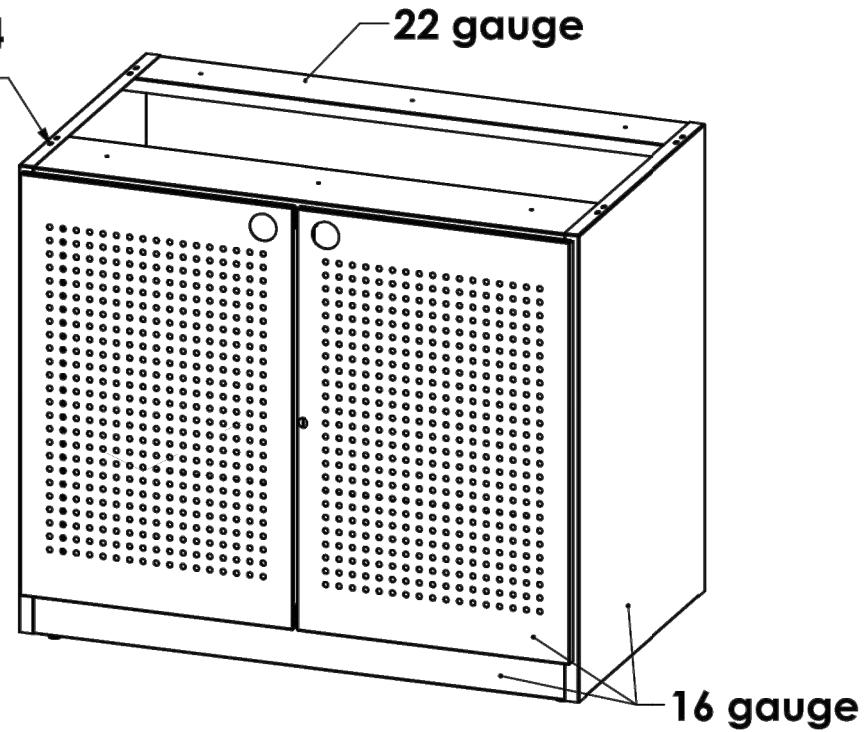
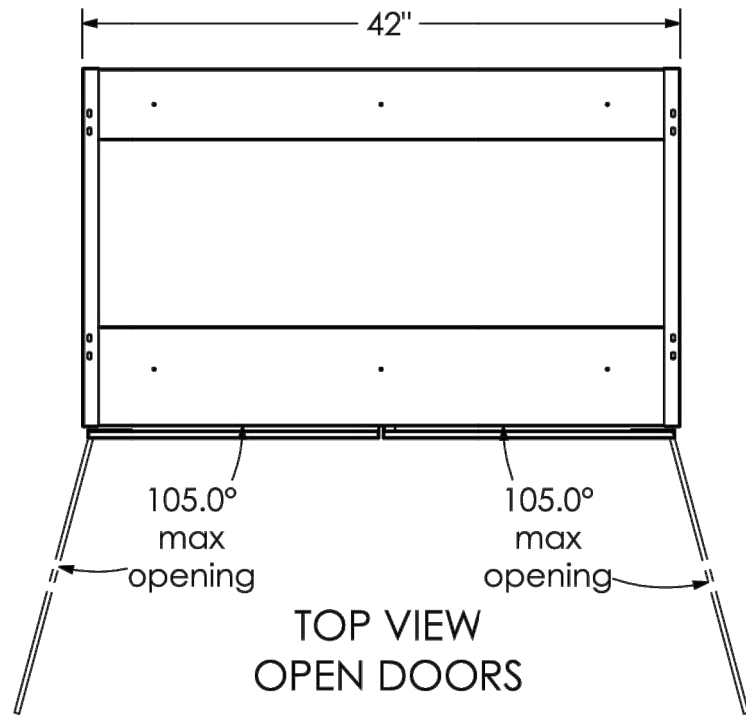
**ALL METAL
FINISH #24
VIC P139**



Plan Number: 042-84421LRH APPROBATION	
Description: BOX STORAGE CAGE WITH LOCK AND SHELF	
General note:	
W:\dessin\042\	
Fabrication:	
Pounds <i>10.09 Lbs</i>	
Tolerances Fractions: ±1/16" Angles: ±0.5°	
Author: Elise G.	Date 13-10-20
Verified by	
All the information contained in this drawing is the sole property of Vic Store Fixtures. Any reproduction or change without written notice is prohibited.	
Sheet 1 of 1	

LCBO	F100 - CHECK-OUT AREA/VESTIBULE	REVISION DATE	REV.	3 of 5	ISSUE DATE	STORE TYPE	STORE #
	LOCKABLE METAL BOX STORAGE	2021 MAR	17	F122	2021 APR		

ALL METAL
FINISH #24
VIC P139



Plan Number:

**042-84442
APPROBATION**

Description:

**BOX STORAGE
LOCKABLE CAGE**

General note:

W:\dessin\042\

Fabrication:

Pounds **15.04 Lbs**

Tolerances
Fractions: ±1/16" Angles: ±0.5°

Author: **Elise G.** Date: **13-10-20**

Verified by:

All the information contained in this drawing is the sole property of Vic Store Fixtures. Any reproduction or change without written notice is prohibited.

Sheet 1 of 2

LCBO

F100 - CHECK-OUT AREA/VESTIBULE
LOCKABLE METAL BOX STORAGE

REVISION
DATE
2021
MAR

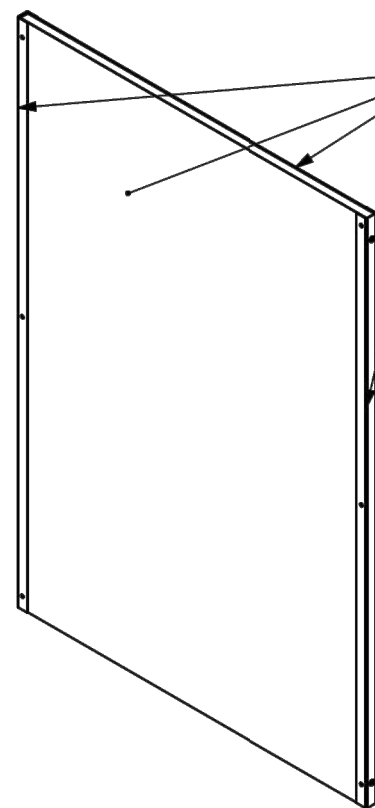
REV.
17

4 of 5
F122

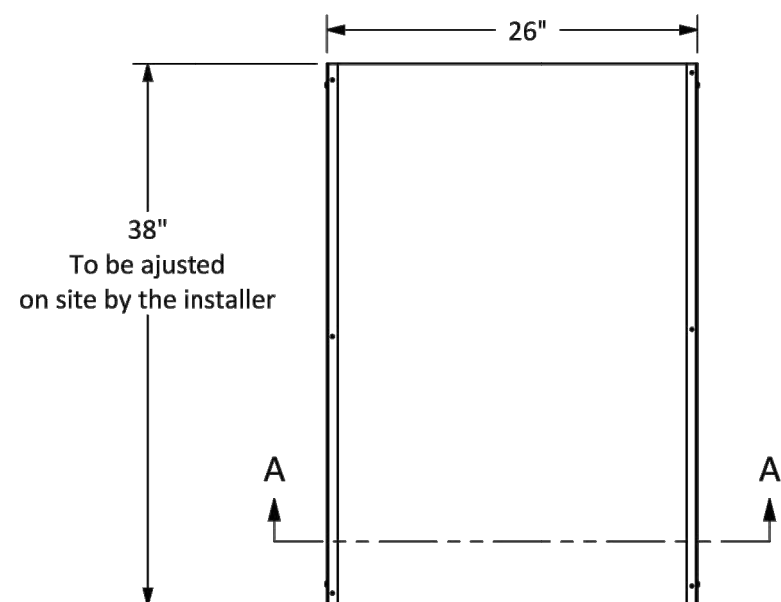
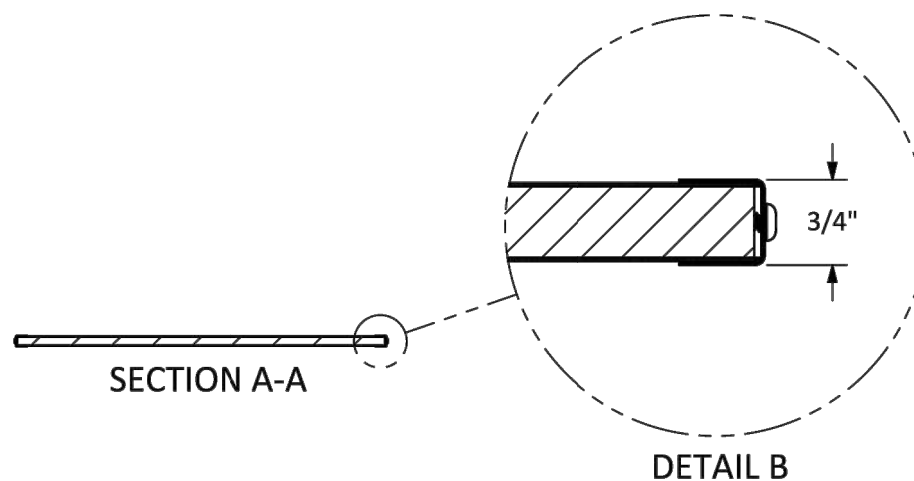
ISSUE
DATE
2021
APR

STORE
TYPE

STORE #



**ALL METAL
FINISH #24
VIC P139**



Plan Number:

**042-8482638
APPROBATION**

Description:

General note:

W:\dessin\042\

Fabrication:

Pounds **24.38645 Lbs**

Tolerances
Fractions: ±1/16" Angles: ±0.5°

Author **France D.** Date **23-01-18**

Verified by **Dany N.** Date **28-10-20**

All the information contained in this drawing is the sole property of Vic Store Fixtures. Any reproduction or change without written notice is prohibited.

Sheet 1 of 1

LCBO

F100 - CHECK-OUT AREA/VESTIBULE
LOCKABLE METAL BOX STORAGE

REVISION
DATE
2021
MAR

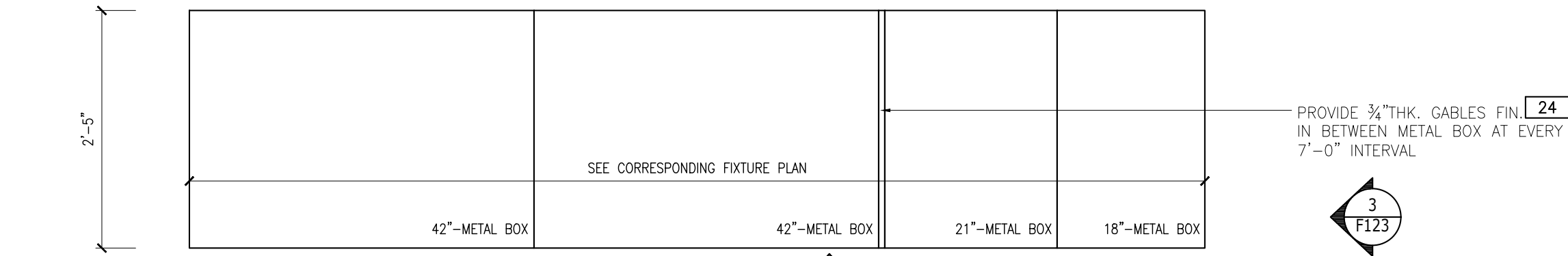
REV.
17

5 of 5
F122

ISSUE
DATE
2021
APR

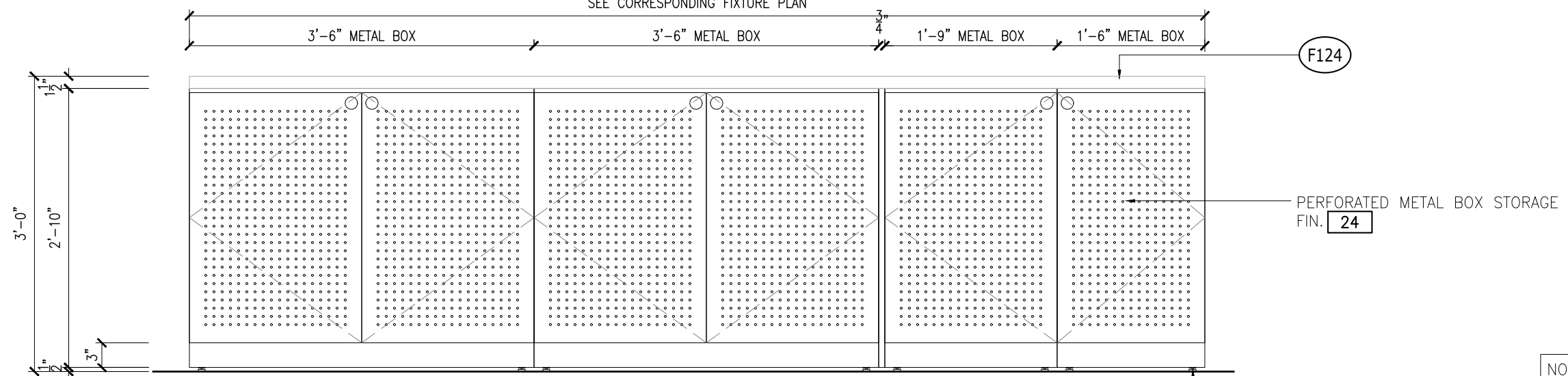
STORE
TYPE

STORE #

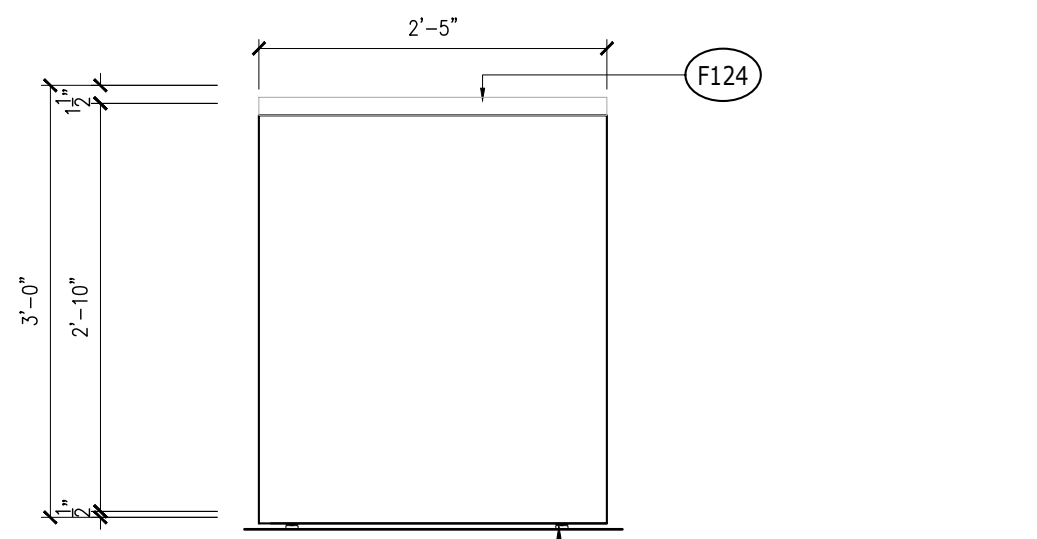


1 PLAN
F123 3/4" = 1'-0"

2
F123



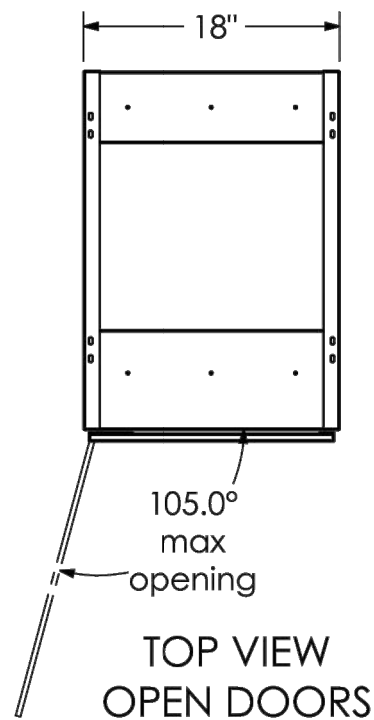
2 ELEVATION
F123 3/4" = 1'-0"



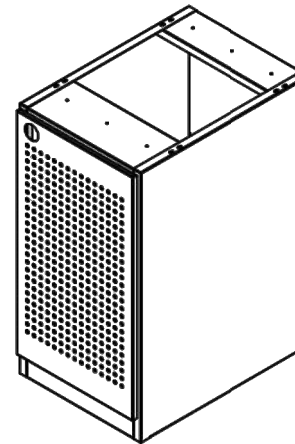
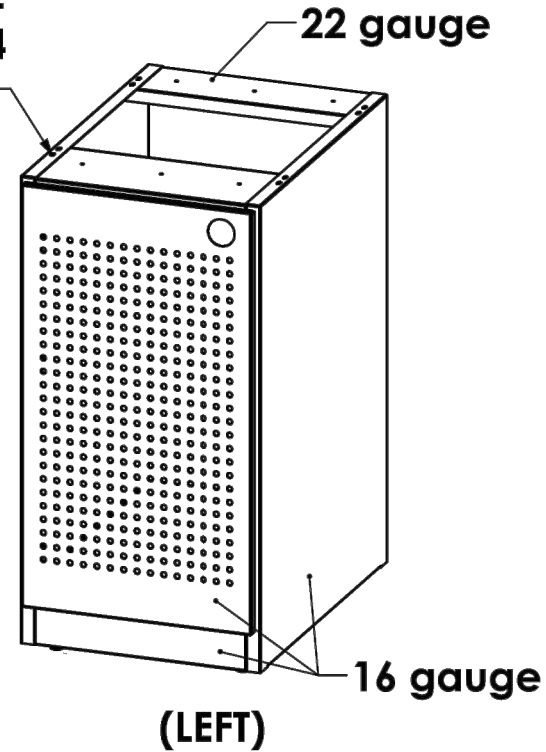
3 SIDE ELEVATION
F123 3/4" = 1'-0"

- NOTES:
1. PERFORATED METAL BOXES TO BE SUPPLIED AND INSTALLED BY APPROVED METAL SHELVING SUPPLIER.
 2. METAL BOX COMES IN 3 DIFFERENT SIZES: 42"L. 21"L. & 18"L. QUANTITY OF EACH IS VARIED. REFER TO CORRESPONDING FIXTURE PLAN. SEE ALSO ILLUSTRATED IMAGES OF DIFFERENT SIZES AND COMPONENT.
 3. METAL BOX TO HAVE PERFORATED METAL DOORS AND SHELVING INSIDE W/ INTEGRATED FINGER PULLS.
 4. METAL SHELVING SUPPLIER TO SUPPLY AND INSTALL 3/4" THK. GABLES AT 7'-0" INTERVAL (REFER TO FIXTURE PLAN FOR QUANTITY), END GABLES W/ METAL GUARD AND LEVELERS.
 5. METAL SHELVING SUPPLIER TO COORDINATE W/ MILLWORK CONTRACTOR FOR SIZE OF COUNTER TOP AND INSTALLATION REQUIREMENT. MILLWORKER TO INSTALL COUNTER TOP. G.C. TO COORDINATE ON SITE.

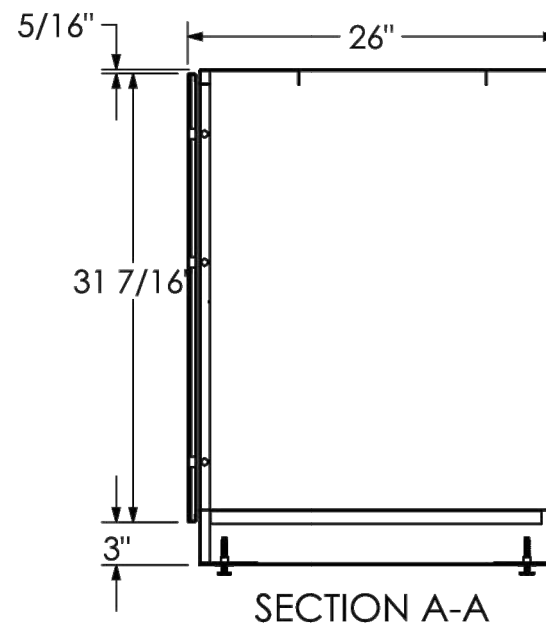
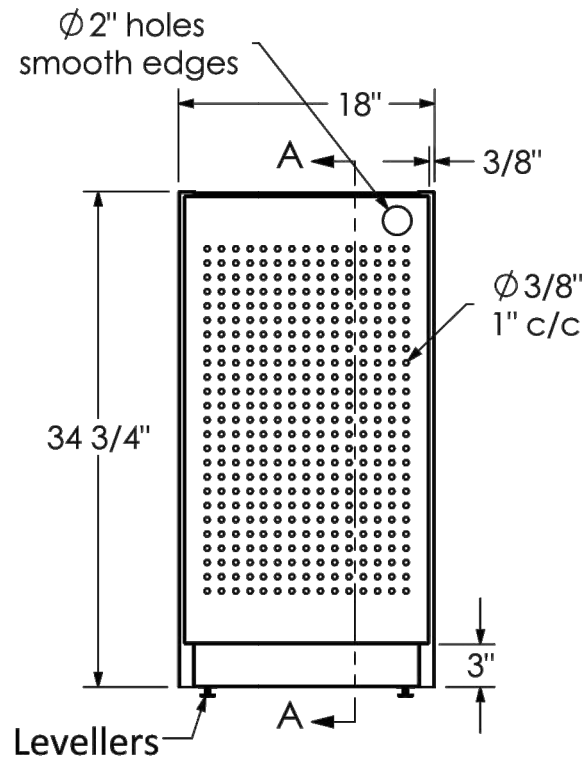
LCBO	F100 - CHECK-OUT AREA/VESTIBULE	REVISION DATE	REV.	1 of 5	ISSUE DATE	STORE TYPE	STORE #
	NON-LOCKABLE METAL BOX STORAGE	2021 MAR	17	F123	2021 APR		



ALL METAL FINISH #24 VIC P139



(RIGHT)



Plan Number:
042-84418LRH-01
APPROBATION

Description:
BOX STORAGE CAGE WITHOUT LOCK AND SHELF

General note:

W:\dessin\042\

Fabrication:

Pounds **8.07 Lbs**

Tolerances
Fractions: ±1/16" Angles: ±0.5°

Author **Elise G.** Date **13-10-20**

Verified by

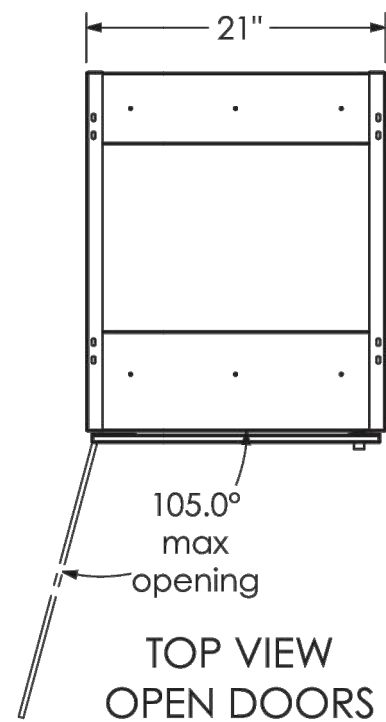
All the information contained in this drawing is the sole property of Vic Store Fixtures. Any reproduction or change without written notice is prohibited.

Sheet 1 of 1

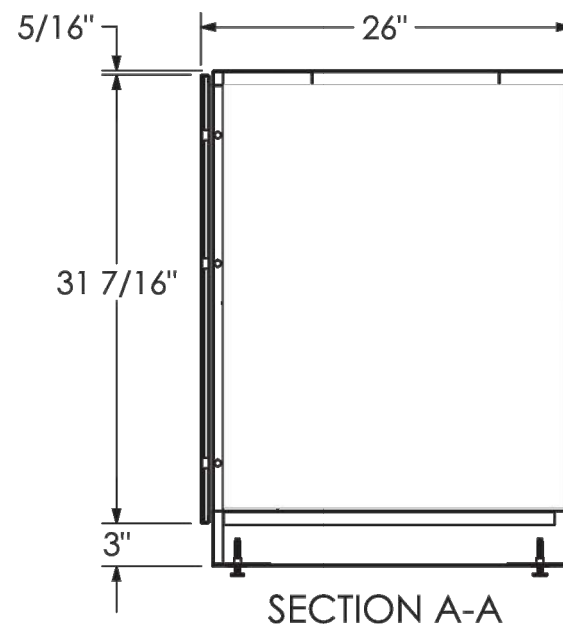
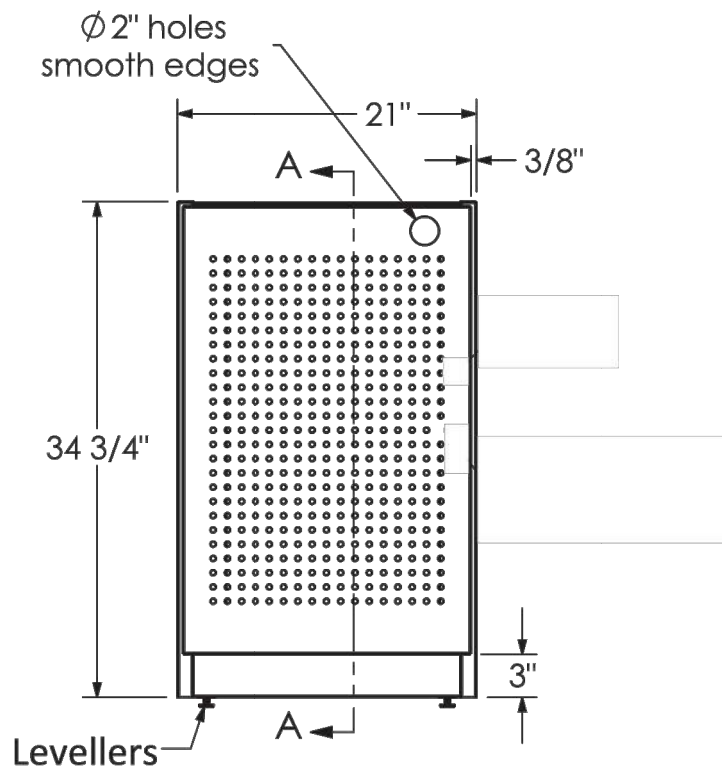
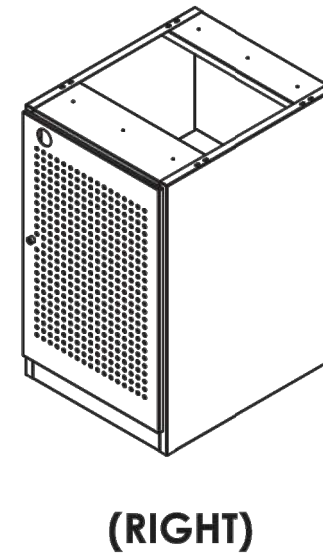
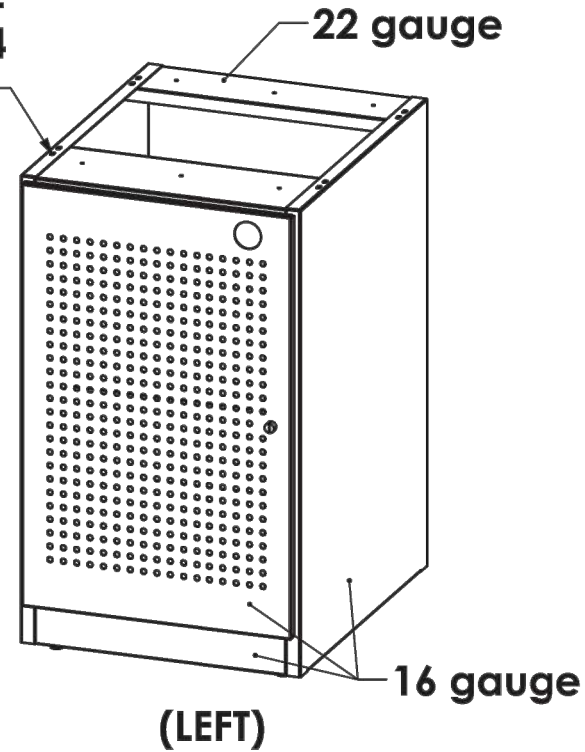
LCBO

F100 - CHECK-OUT AREA/VESTIBULE
NON-LOCKABLE METAL BOX STORAGE

REVISION DATE	REV.		ISSUE DATE	STORE TYPE	STORE #
2021 MAR	17	F123	2021 APR		



ALL METAL FINISH #24 VIC P139



Plan Number:

APPROBATION

Description: **BOX STORAGE CAGE**

General note:

W:\dessin\042\

Fabrication:

Pounds 10.09 Lbs

Tolerances
Fractions: ±1/16" Angles: ±0.5°

Author: **Élise G.** Date: 13-10-20

Verified by:

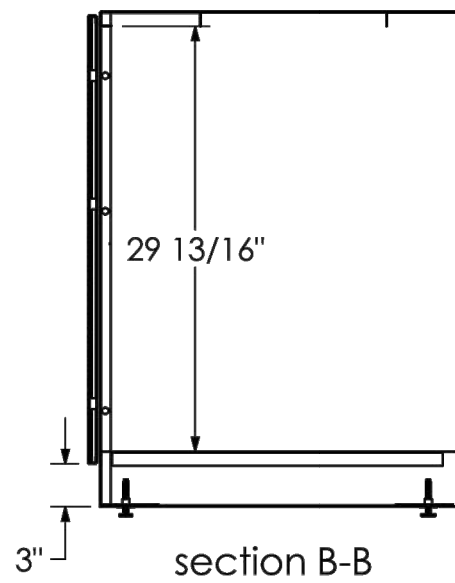
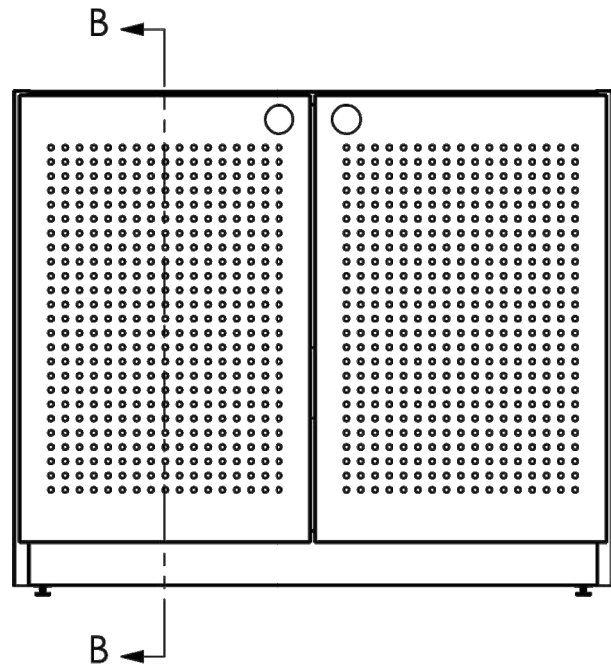
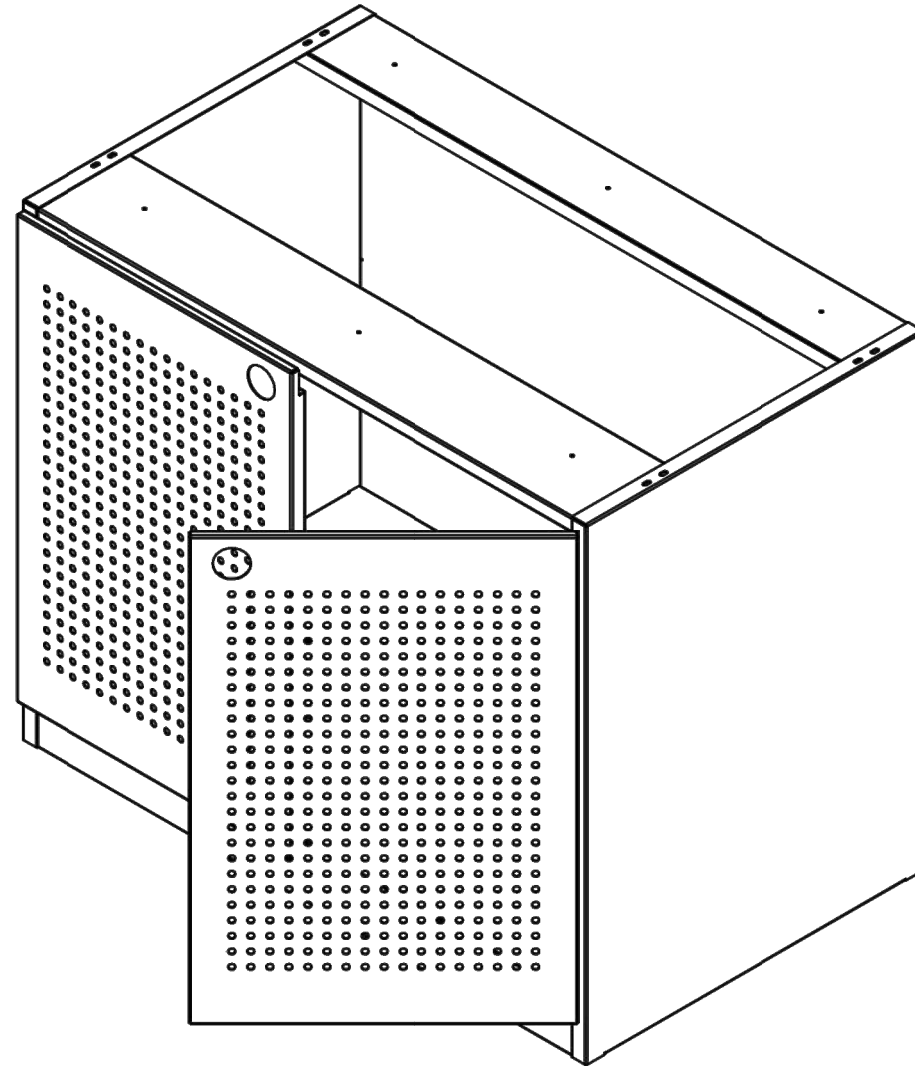
All the information contained in this drawing is the sole property of Vic Store Fixtures. Any reproduction or change without written notice is prohibited.

Sheet 1 of 1

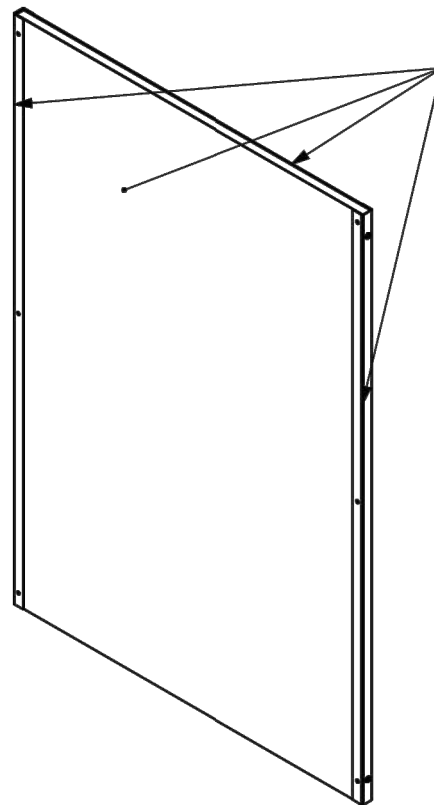
LCBO	F100 - CHECK-OUT AREA/VESTIBULE	REVISION DATE	REV.	3 of 5	ISSUE DATE	STORE TYPE	STORE #
	NON-LOCKABLE METAL BOX STORAGE	2021 MAR	17	F123	2021 APR		

Version without shelf and lock

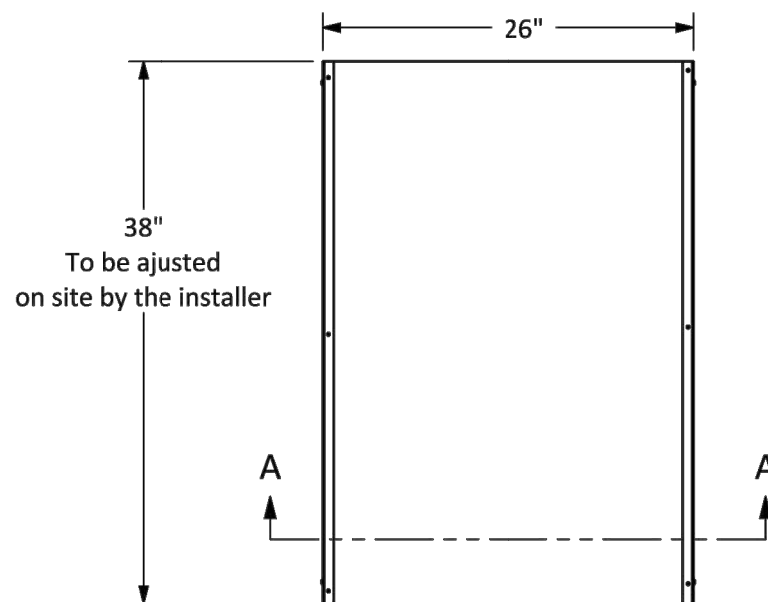
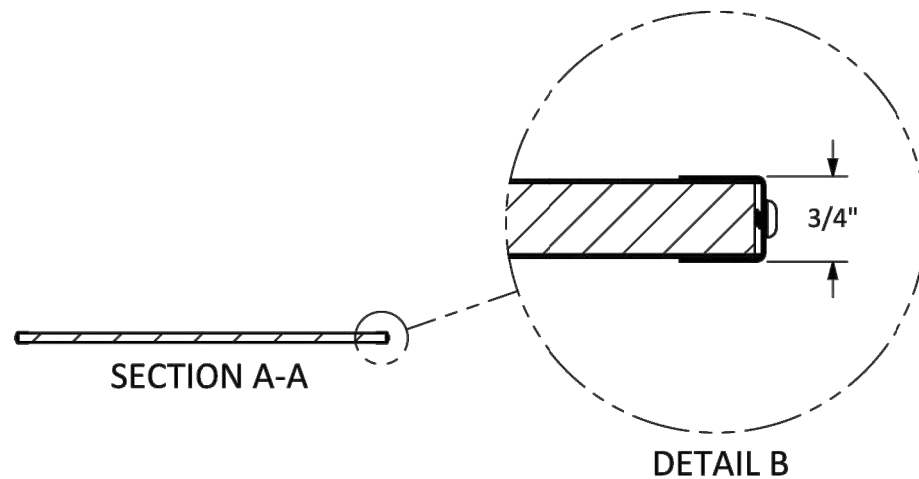
box storage version
42"w



Plan Number: 042-84442	
APPROBATION	
Description:	
General note:	
W:\dessin\042\	
Fabrication:	
Pounds <i>12.46 Lbs</i>	
Tolerances Fractions: ±1/16" Angles: ±0.5°	
Author Élise G.	Date 13-10-20
Verified by	
All the information contained in this drawing is the sole property of Vic Store Fixtures. Any reproduction or change without written notice is prohibited.	
Sheet 2 of 2	



**ALL METAL
FINISH #24
VIC P139**



Plan Number:
042-8482638
APPROBATION

Description:

General note:

W:\dessin\042\

Fabrication:

Pounds **24.38645 Lbs**

Tolerances
Fractions: ±1/16" Angles: ±0.5°

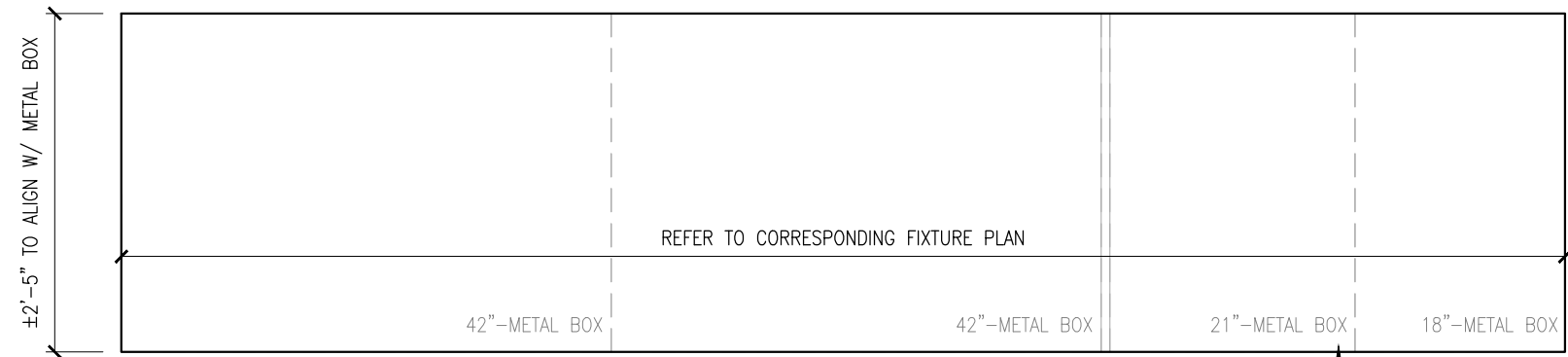
Author **France D.** Date **23-01-18**

Verified by **Dany N.** **28-10-20**

All the information contained in this drawing is the sole property of Vic Store Fixtures. Any reproduction or change without written notice is prohibited.

Sheet 1 of 1

LCBO	F100 - CHECK-OUT AREA/VESTIBULE	REVISION DATE	REV.	5 of 5	ISSUE DATE	STORE TYPE	STORE #
	NON-LOCKABLE METAL BOX STORAGE	2021 MAR	17	F123	2021 APR		

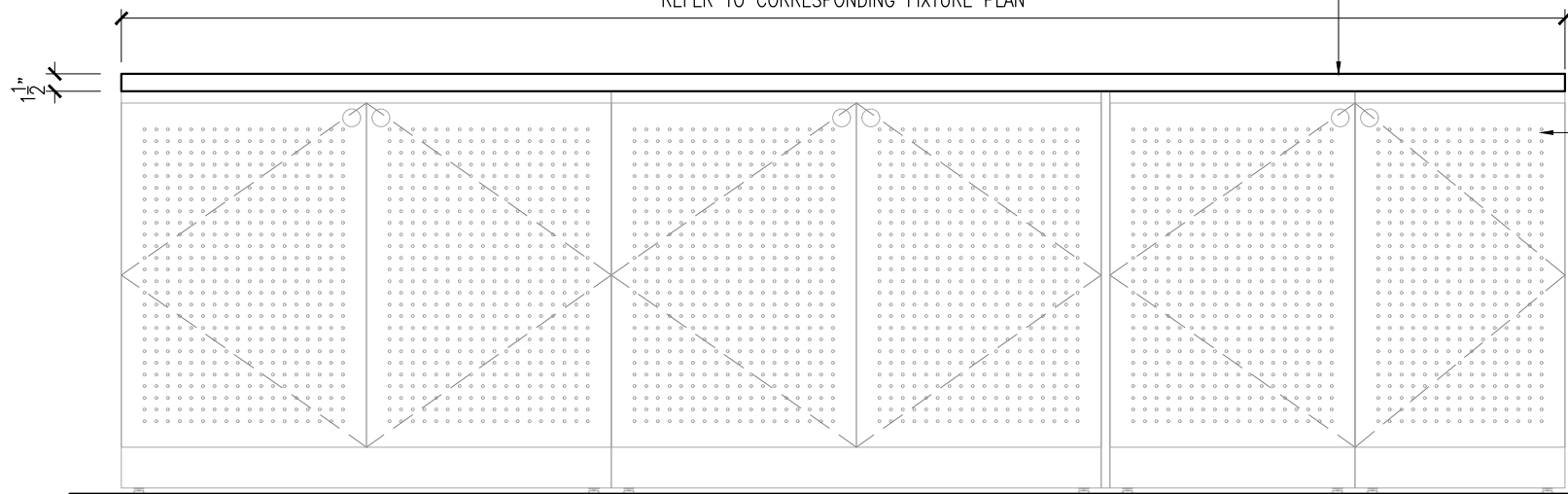


1 PLAN
F124 3/4" = 1'-0"

2 F124

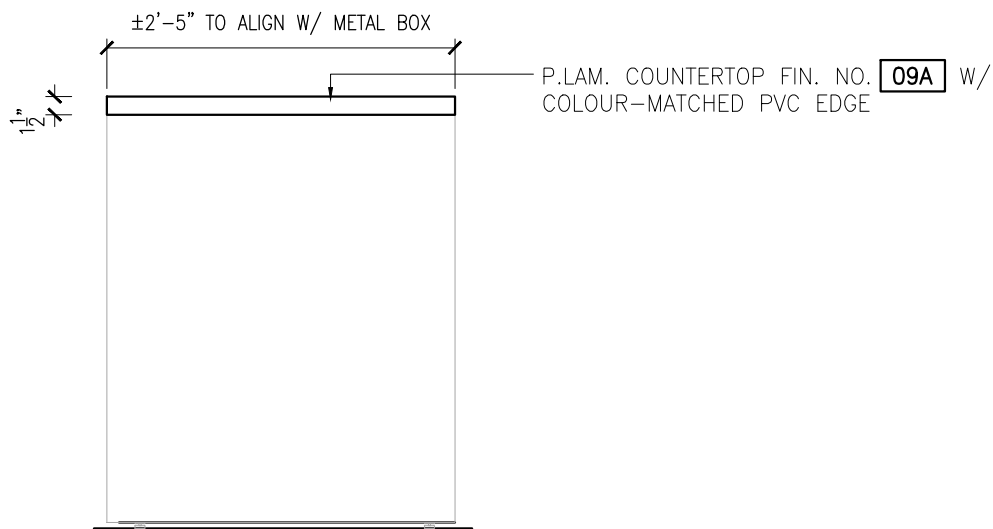
3 F124

P.LAM. COUNTERTOP FIN. NO. 09A W/
COLOUR-MATCHED PVC EDGE



2 ELEVATION
F124 3/4" = 1'-0"

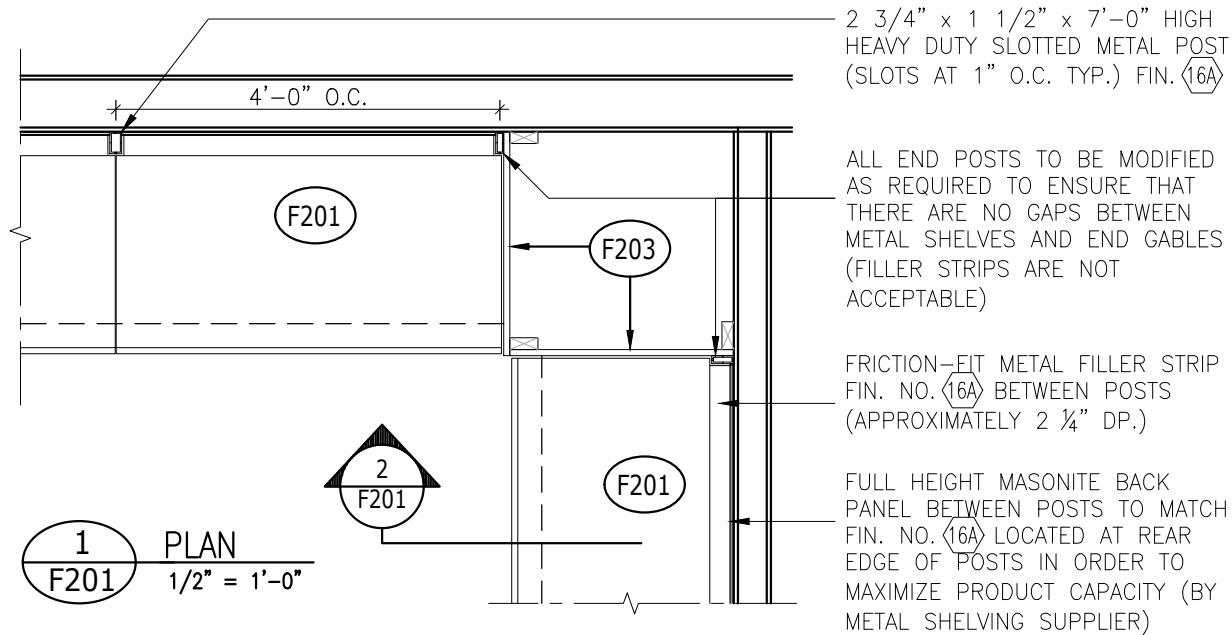
F122 OR
F123



3 SIDE ELEVATION
F124 3/4" = 1'-0"

- NOTES:
- COUNTER TOP TO BE SUPPLIED AND INSTALLED BY APPROVED MILLWORK CONTRACTOR.
 - LENGTH IS VARIED. REFER TO CORRESPONDING FIXTURE PLAN
 - COUNTER TOP TO HAVE PVC EDGING IN ALL VISIBLE SIDES W/ COLOUR TO MATCH.
 - NO VISIBLE SEAMS PERMITTED. NUMBER OF SEAMS IN COUNTER TOP TO BE KEPT TO MINIMUM (EVERY 8'-0") AND SHOULD ALIGN W/ DOOR SEAMS BELOW
 - MILLWORK CONTRACTOR TO COORDINATE W/ METAL SHELVING SUPPLIER FOR SIZE OF COUNTER TOP AND INSTALLATION REQUIREMENT. G.C. TO COORDINATE ON SITE.

LCBO	F100 - CHECK-OUT AREA/VESTIBULE	REVISION DATE	REV.	1 of 1	ISSUE DATE	STORE TYPE	STORE #
	COUNTER TOP OF BOX STORAGE	2021 MAR	17	F124	2021 APR		



NOTE:
MILLWORK CONTRACTOR TO ENSURE THAT WOOD SIGN BAND IS TRUE AND LEVEL

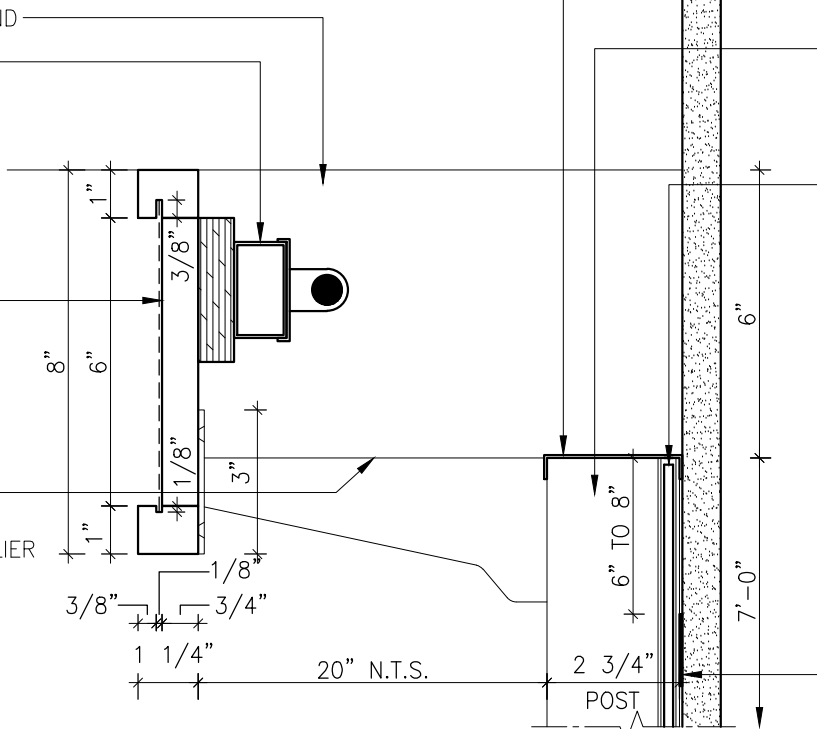
NOTE: ALL 1" METAL TICKET HOLDERS TO RECEIVE 1 3/4" PLASTIC TICKET HOLDER INSERT (SUPPLIED & INSTALLED BY METAL SHELVING SUPPLIER) TO SPAN LENGTH OF SHELF SECTION

LINE OF F203 GABLE BEYOND

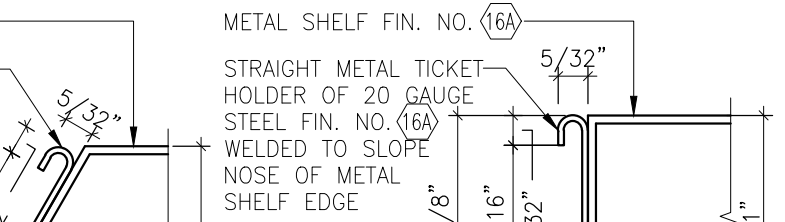
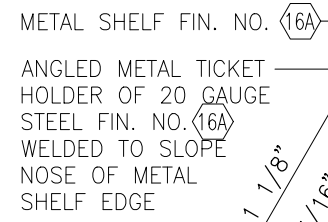
T5 FLUORESCENT LIGHT FIXTURES MOUNTED TO A 3/4" PLYWOOD STRIP. ALL POWER FEEDS CONCEALED FROM CUSTOMER VIEW.

P.LAM FASCIA SIGN PANEL FIN. NO. (05) SUPPLIED AND INSTALLED BY MILLWORK CONTRACTOR WITH AS FEW SEAMS AS POSSIBLE (i.e. MINIMUM 8'-0" LENGTHS EXCEPT AT END RUNS AS REQ'D.

20" METAL BRACKET W/ WELDED 3" X 3" METAL FLANGE BY SHELVING SUPPLIER ALL IN FIN. NO. (16A)



3 DETAIL
3" = 1'-0"



4 ANGLED METAL TICKET HOLDER DETAIL
FULL SCALE

5 STRAIGHT METAL TICKET HOLDER DETAIL
FULL SCALE

GENERAL NOTES

- DIMENSIONS SHOWN REFLECT SHELF & BASE DIMENSIONS ONLY & DO NOT TAKE METAL TICKET HOLDERS INTO ACCOUNT
- ALL ADJUSTMENTS TO COMPENSATE FOR NON-LEVEL FLOOR SURFACES TO BE MADE AT BOTTOM END OF POST
- GC TO CO-ORDINATE MILLWORK + METAL SHELF INSTALLATION
- T5 FLUORESCENT LIGHT FIXTURES TO BE SUPPLIED & INSTALLED BY G.C.
- GC RESPONSIBLE FOR INSTALLATION OF WALL STRAPPING AS REQ'D.
- MILLWORK CONTRACTOR TO OBTAIN SIGNAGE SAMPLE FROM LCBO PRIOR TO FABRICATION TO ENSURE PROPER FIT OF SIGNAGE INSERT
- SHELVING SUPPLIER TO OBTAIN 1" HIGH PAPER TICKET SAMPLE FROM LCBO PRIOR TO FABRICATION TO ENSURE PROPER FIT WITHIN TICKET MOULDING. SUBMIT SAMPLE FOR APPROVAL
- GC TO ENSURE ALL SHELVES ARE IN EXACT ALIGNMENT AND ARE TRUE & LEVEL. PERFORATED SHELVES ARE ACCEPTABLE. SHELVES TO SUPPORT LOAD CAPACITY OF 500LBS
- ALL END POSTS TO BE MODIFIED AS REQUIRED TO ENSURE THAT THERE ARE NO GAPS BETWEEN METAL SHELVES AND END GABLES (FILLER STRIPS ARE NOT ACCEPTABLE)

GENERAL NOTES

ALL DIMENSIONS INDICATED FROM FINISH FLOOR ARE TAKEN FROM THE HIGHEST FINISHED FLOOR ELEVATION OF THAT FLOOR SYSTEM

ALL ADJUSTMENTS TO COMPENSATE FOR NON-LEVEL FLOOR SURFACES TO BE MADE AT BOTTOM END OF POST

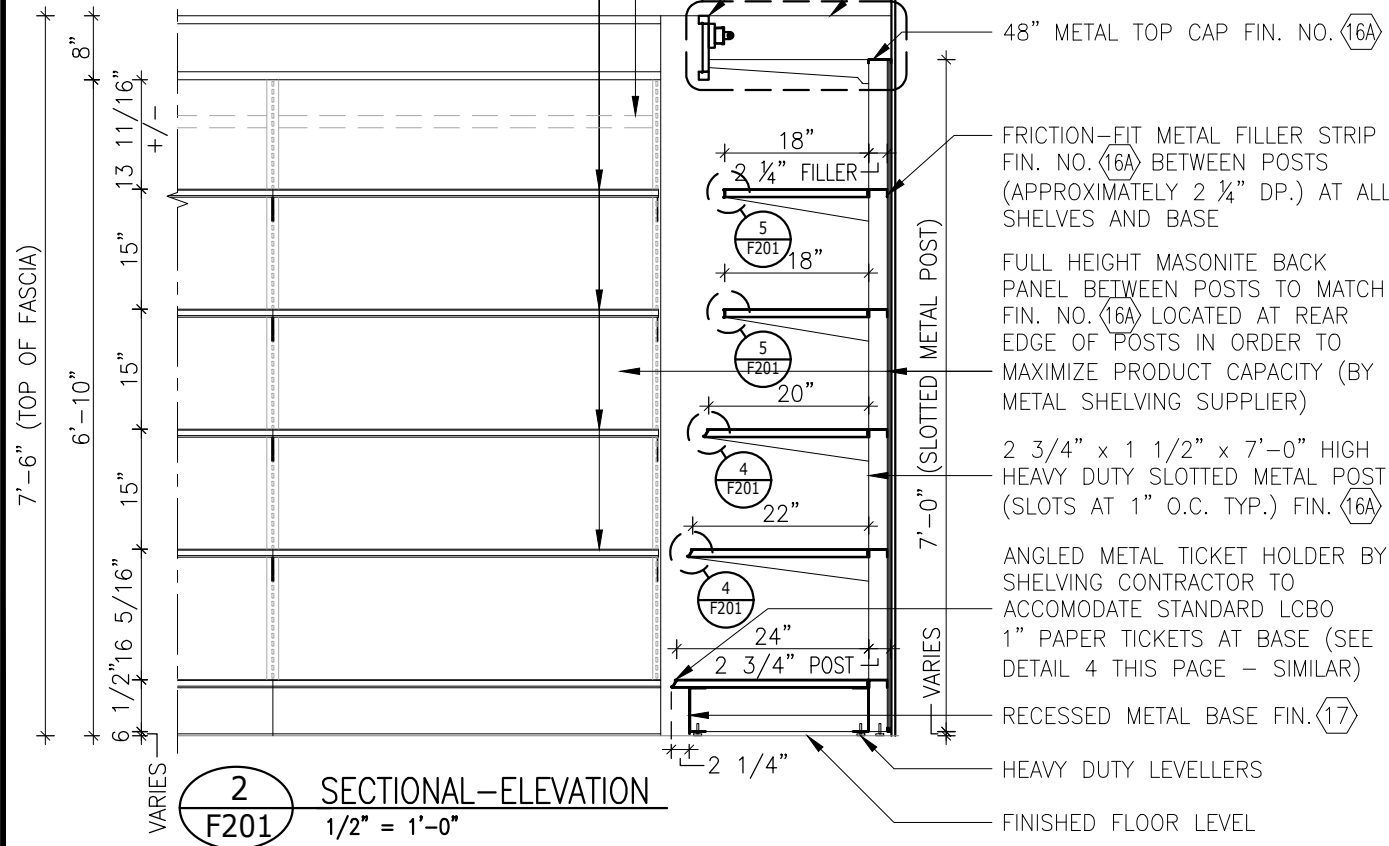
G.C. TO CO-ORDINATE MILLWORK + METAL SHELF INSTALLATION

SHELVING SUPPLIER RESPONSIBLE FOR INSTALLATION OF WALL STRAPPING AS REQUIRED

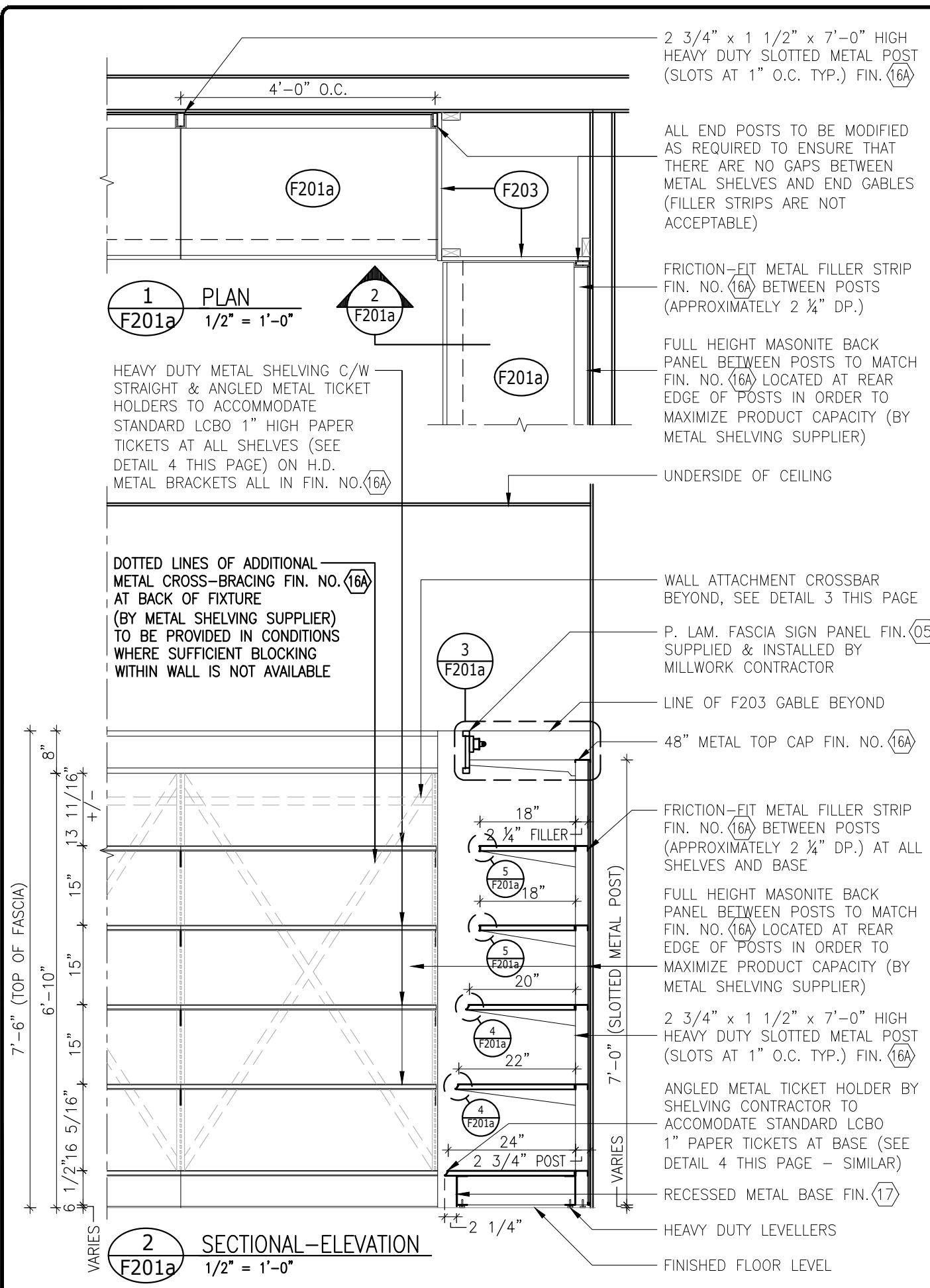
MILLWORK CONTRACTOR TO OBTAIN SIGNAGE SAMPLE FROM LCBO PRIOR TO FABRICATION TO ENSURE PROPER FIT OF SIGNAGE INSERT

SHELVES TO SUPPORT LOAD CAPACITY OF 500LBS

ALL END POSTS TO BE MODIFIED AS REQUIRED TO ENSURE THAT THERE ARE NO GAPS BETWEEN METAL SHELVES AND END GABLES (FILLER STRIPS ARE NOT ACCEPTABLE)



LCBO	200 GENERAL LIST	REVISION DATE	REV.	1 of 1	ISSUE DATE	STORE TYPE	STORE #
	48" PERIM. MET. SHELVING UNIT W/ FASCIA & MET. TICKET MOULD.	2021 MAR.	17	F201	2021 APR		



NOTE:
MILLWORK CONTRACTOR TO ENSURE THAT WOOD SIGN BAND IS TRUE AND LEVEL

NOTE: ALL 1" METAL TICKET HOLDERS TO RECEIVE 1 3/4" PLASTIC TICKET HOLDER INSERT (SUPPLIED & INSTALLED BY METAL SHELVING SUPPLIER) TO SPAN LENGTH OF SHELF SECTION

NOTE:
ALL 1" METAL TICKET HOLDERS TO RECEIVE 1 3/4" PLASTIC TICKET HOLDER INSERT TO SPAN LENGTH OF SHELF SECTION

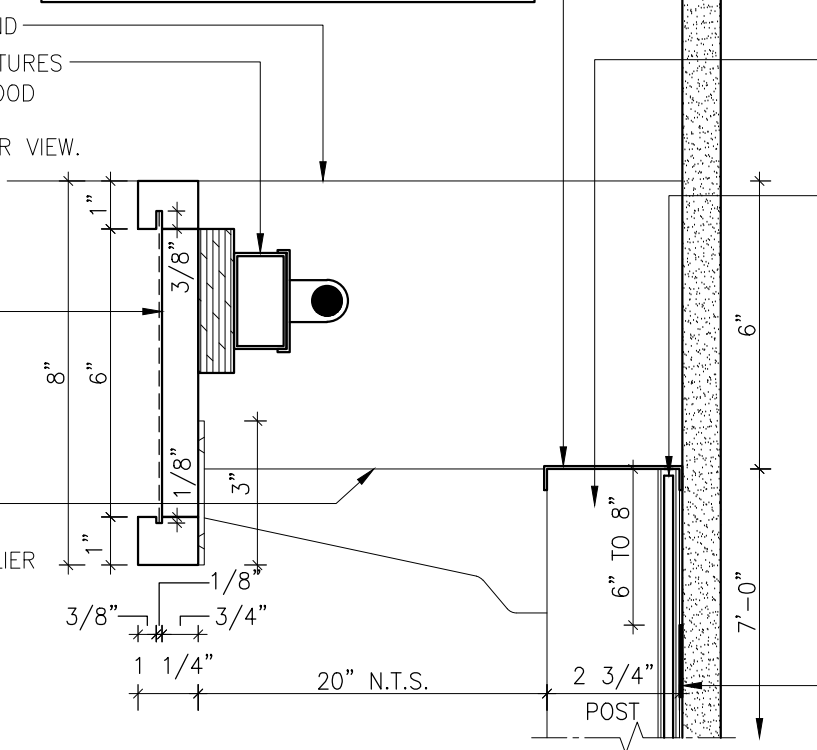
LINE OF F203 GABLE BEYOND

T5 FLUORESCENT LIGHT FIXTURES MOUNTED TO A 3/4" PLYWOOD STRIP. ALL POWER FEEDS CONCEALED FROM CUSTOMER VIEW.

P.LAM FASCIA SIGN PANEL FIN. NO. (05) SUPPLIED AND INSTALLED BY MILLWORK CONTRACTOR WITH AS FEW SEAMS AS POSSIBLE (i.e. MINIMUM 8'-0" LENGTHS EXCEPT AT END RUNS AS REQ'D.

20" METAL BRACKET W/ WELDED 3" X 3" METAL FLANGE BY SHELVING SUPPLIER ALL IN FIN. NO. (16A)

3 DETAIL
F201a 3" = 1'-0"

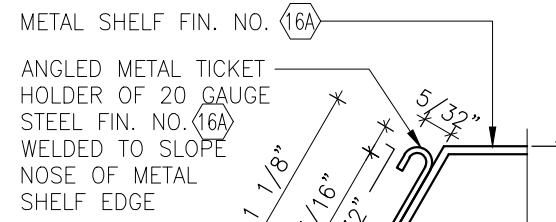


48" METAL TOP CAP FIN. NO. (16A)

2 3/4" x 1 1/2" x 7'-0" HIGH HEAVY DUTY SLOTTED METAL POST (SLOTS AT 1" O.C. TYP.) FIN. NO. (16A)

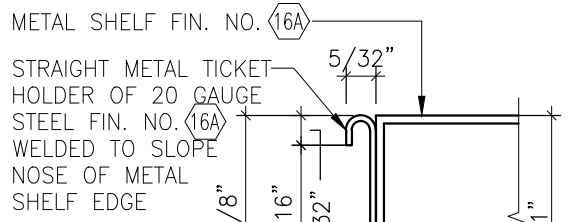
FULL HEIGHT MASONITE BACK PANEL BETWEEN POSTS TO MATCH FIN. (16A) LOCATED AT REAR EDGE TO POSTS IN ORDER TO MAXIMIZE PRODUCT CAPACITY (BY METAL SHELVING SUPPLIER)

HORIZONTAL WALL ATTACHMENT CROSSBAR CONCEALED BEHIND MASONITE PANEL SCREWED TO PARTITION. GC TO PROVIDE BLOCKING WITHIN PARTITION AS REQUIRED. WHEN BLOCKING WITHIN PARTITION IS NOT POSSIBLE, GC TO STRAP EXIST. WALL WITH 3/4" THK. PLY, SECURED TO EXISTING STUDS.



NOTE: NO VISIBLE HOLES IN FRONT OF TICKET HOLDER

4 ANGLED METAL TICKET HOLDER DETAIL
F201a FULL SCALE



NOTE: NO VISIBLE HOLES IN FRONT OF TICKET HOLDER

5 STRAIGHT METAL TICKET HOLDER DETAIL
F201a FULL SCALE

GENERAL NOTES
ALL DIMENSIONS INDICATED FROM FINISH FLOOR ARE TAKEN FROM THE HIGHEST FINISHED FLOOR ELEVATION OF THAT FLOOR SYSTEM

ALL ADJUSTMENTS TO COMPENSATE FOR NON-LEVEL FLOOR SURFACES TO BE MADE AT BOTTOM END OF POST

G.C. TO CO-ORDINATE MILLWORK + METAL SHELF INSTALLATION

SHELVING SUPPLIER RESPONSIBLE FOR INSTALLATION OF WALL STRAPPING AS REQUIRED

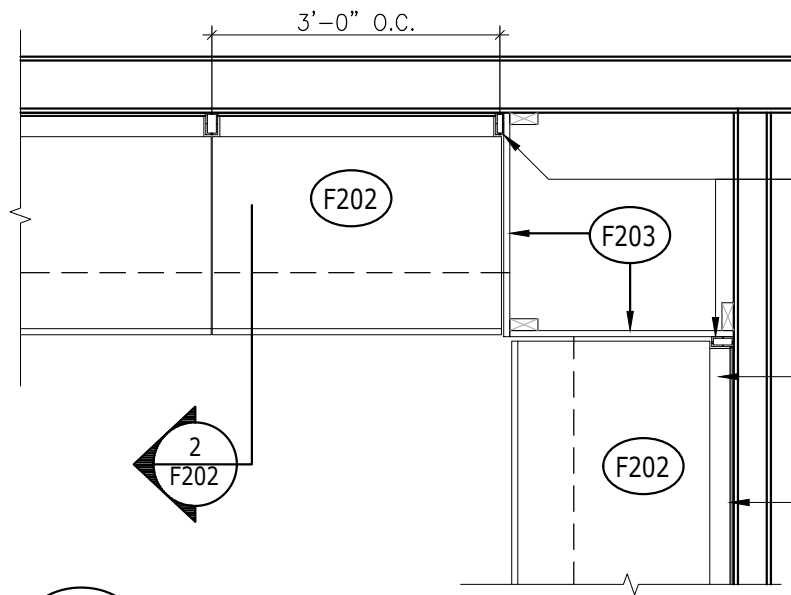
MILLWORK CONTRACTOR TO OBTAIN SIGNAGE SAMPLE FROM LCBO PRIOR TO FABRICATION TO ENSURE PROPER FIT OF SIGNAGE INSERT

SHELVES TO SUPPORT LOAD CAPACITY OF 500LBS

ALL END POSTS TO BE MODIFIED AS REQUIRED TO ENSURE THAT THERE ARE NO GAPS BETWEEN METAL SHELVES AND END GABLES (FILLER STRIPS ARE NOT ACCEPTABLE)

- GENERAL NOTES
- DIMENSIONS SHOWN REFLECT SHELF & BASE DIMENSIONS ONLY & DO NOT TAKE METAL TICKET HOLDERS INTO ACCOUNT
 - ALL ADJUSTMENTS TO COMPENSATE FOR NON-LEVEL FLOOR SURFACES TO BE MADE AT BOTTOM END OF POST
 - GC TO CO-ORDINATE MILLWORK + METAL SHELF INSTALLATION
 - T5 FLUORESCENT LIGHT FIXTURES TO BE SUPPLIED & INSTALLED BY G.C.
 - GC RESPONSIBLE FOR INSTALLATION OF WALL STRAPPING AS REQ'D.
 - MILLWORK CONTRACTOR TO OBTAIN SIGNAGE SAMPLE FROM LCBO PRIOR TO FABRICATION TO ENSURE PROPER FIT OF SIGNAGE INSERT
 - SHELVING SUPPLIER TO OBTAIN 1" HIGH PAPER TICKET SAMPLE FROM LCBO PRIOR TO FABRICATION TO ENSURE PROPER FIT WITHIN TICKET MOULDING. SUBMIT SAMPLE FOR APPROVAL
 - GC TO ENSURE ALL SHELVES ARE IN EXACT ALIGNMENT AND ARE TRUE & LEVEL. PERFORATED SHELVES ARE ACCEPTABLE. SHELVES TO SUPPORT LOAD CAPACITY OF 500LBS
 - ALL END POSTS TO BE MODIFIED AS REQUIRED TO ENSURE THAT THERE ARE NO GAPS BETWEEN METAL SHELVES AND END GABLES (FILLER STRIPS ARE NOT ACCEPTABLE)

LCBO	200 GENERAL LIST	REVISION DATE	REV.	1 of 1	ISSUE DATE	STORE TYPE	STORE #
	48" PERIM. MET. SHELVING UNIT w/ FASCIA, MET. TICKET MOULD. & METAL CROSS BRACING	2021 MAR.	17	F201a	2021 APR		



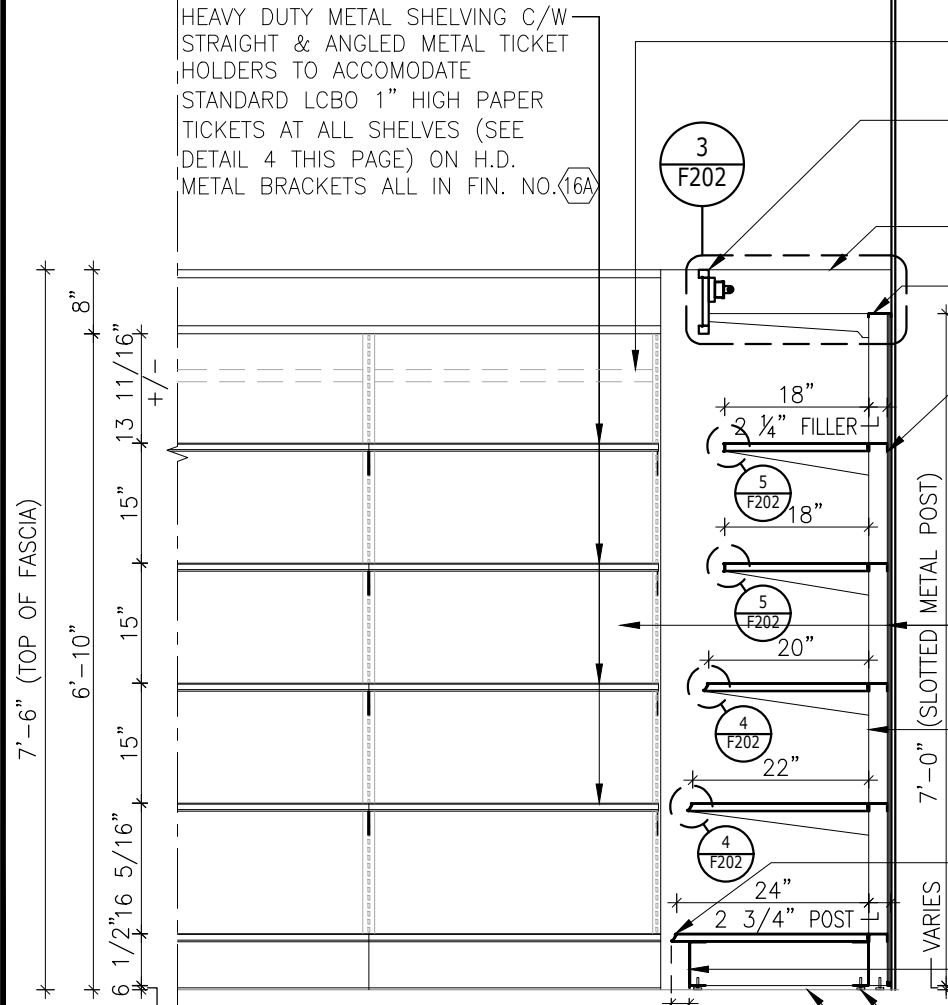
1 PLAN
F202 1/2" = 1'-0"

ALL END POSTS TO BE MODIFIED AS REQUIRED TO ENSURE THAT THERE ARE NO GAPS BETWEEN METAL SHELVES AND END GABLES (FILLER STRIPS ARE NOT ACCEPTABLE)

FRICTION-FIT METAL FILLER STRIP FIN. NO. (16A) BETWEEN POSTS

FULL HEIGHT MASONITE BACK PANEL BETWEEN POSTS TO MATCH FIN. NO. (16A) LOCATED AT REAR EDGE TO POSTS IN ORDER TO MAXIMIZE PRODUCT CAPACITY (BY METAL SHELVING SUPPLIER)

UNDERSIDE OF CEILING



2 SECTIONAL-ELEVATION
F202 1/2" = 1'-0"

WALL ATTACHMENT CROSSBAR BEYOND, SEE DETAIL 3 THIS PAGE

P. LAM. FASCIA SIGN PANEL FIN. (05) SUPPLIED & INSTALLED BY MILLWORK CONTRACTOR

LINE OF F203 GABLE BEYOND

36" METAL TOP CAP FIN. NO. (16A)

FRICTION-FIT METAL FILLER STRIP FIN. NO. (16A) BETWEEN POSTS (APPROXIMATELY 2 1/4" DP.) AT ALL SHELVES AND BASE

FULL HEIGHT MASONITE BACK PANEL BETWEEN POSTS TO MATCH FIN. NO. (16A) LOCATED AT REAR EDGE OF POSTS IN ORDER TO MAXIMIZE PRODUCT CAPACITY (BY METAL SHELVING SUPPLIER)

2 3/4" x 1 1/2" x 7'-0" HIGH HEAVY DUTY SLOTTED METAL POST (SLOTS AT 1" O.C. TYP.) FIN. (16A)

ANGLED METAL TICKET HOLDER BY SHELVING CONTRACTOR TO ACCOMODATE STANDARD LCBO 1" PAPER TICKETS AT BASE (SEE DETAIL 4 THIS PAGE - SIMILAR)

RECESSED METAL BASE FIN. (17)

HEAVY DUTY LEVELLERS

FINISHED FLOOR LEVEL

NOTE: MILLWORK CONTRACTOR TO ENSURE THAT WOOD SIGN BAND IS TRUE AND LEVEL

LINE OF F203 GABLE BEYOND
T5 FLUORESCENT LIGHT FIXTURES MOUNTED TO A 3/4" PLYWOOD STRIP. ALL POWER FEEDS CONCEALED FROM CUSTOMER VIEW.

P.LAM FASCIA SIGN PANEL FIN. NO. (05) SUPPLIED AND INSTALLED BY MILLWORK CONTRACTOR WITH AS FEW SEAMS AS POSSIBLE (i.e. MINIMUM 8'-0" LENGTHS EXCEPT AT END RUNS AS REQ'D.

20" METAL BRACKET W/ WELDED 3" X 3" METAL FLANGE BY SHELVING SUPPLIER ALL IN FIN. NO. (16A)

3 DETAIL
F202 3" = 1'-0"

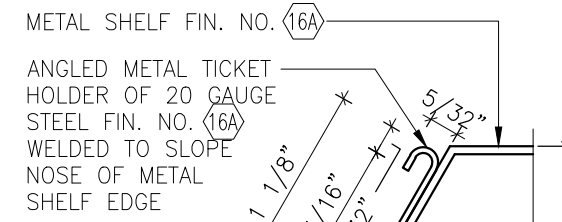
NOTE: ALL 1" METAL TICKET HOLDERS TO RECEIVE 1 3/4" PLASTIC TICKET HOLDER INSERT (SUPPLIED & INSTALLED BY METAL SHELVING SUPPLIER) TO SPAN LENGTH OF SHELF SECTION

NOTE: ALL 1" METAL TICKET HOLDERS TO RECEIVE 1 3/4" PLASTIC TICKET HOLDER INSERT TO SPAN LENGTH OF SHELF SECTION

36" METAL TOP CAP FIN. NO. (16A)
2 3/4" x 1 1/2" x 7'-0" HIGH HEAVY DUTY SLOTTED METAL POST (SLOTS AT 1" O.C. TYP.) FIN. NO. (16A)

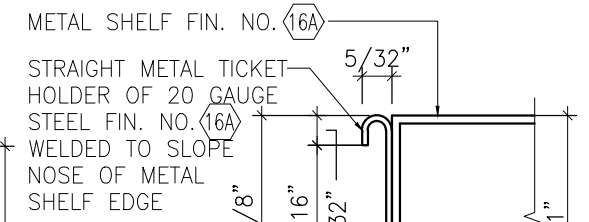
FULL HEIGHT MASONITE BACK PANEL BETWEEN POSTS TO MATCH FIN. (16A) LOCATED AT REAR EDGE TO POSTS IN ORDER TO MAXIMIZE PRODUCT CAPACITY (BY METAL SHELVING SUPPLIER)

HORIZONTAL WALL ATTACHMENT CROSSBAR CONCEALED BEHIND MASONITE PANEL SCREWED TO PARTITION. GC TO PROVIDE BLOCKING WITHIN PARTITION AS REQUIRED. WHEN BLOCKING WITHIN PARTITION IS NOT POSSIBLE, GC TO STRAP EXIST. WALL WITH 3/4" THK. PLY, SECURED TO EXISTING STUDS.



NOTE: NO VISIBLE HOLES IN FRONT OF TICKET HOLDER

4 ANGLED METAL TICKET HOLDER DETAIL
F202 FULL SCALE



NOTE: NO VISIBLE HOLES IN FRONT OF TICKET HOLDER

5 STRAIGHT METAL TICKET HOLDER DETAIL
F202 FULL SCALE

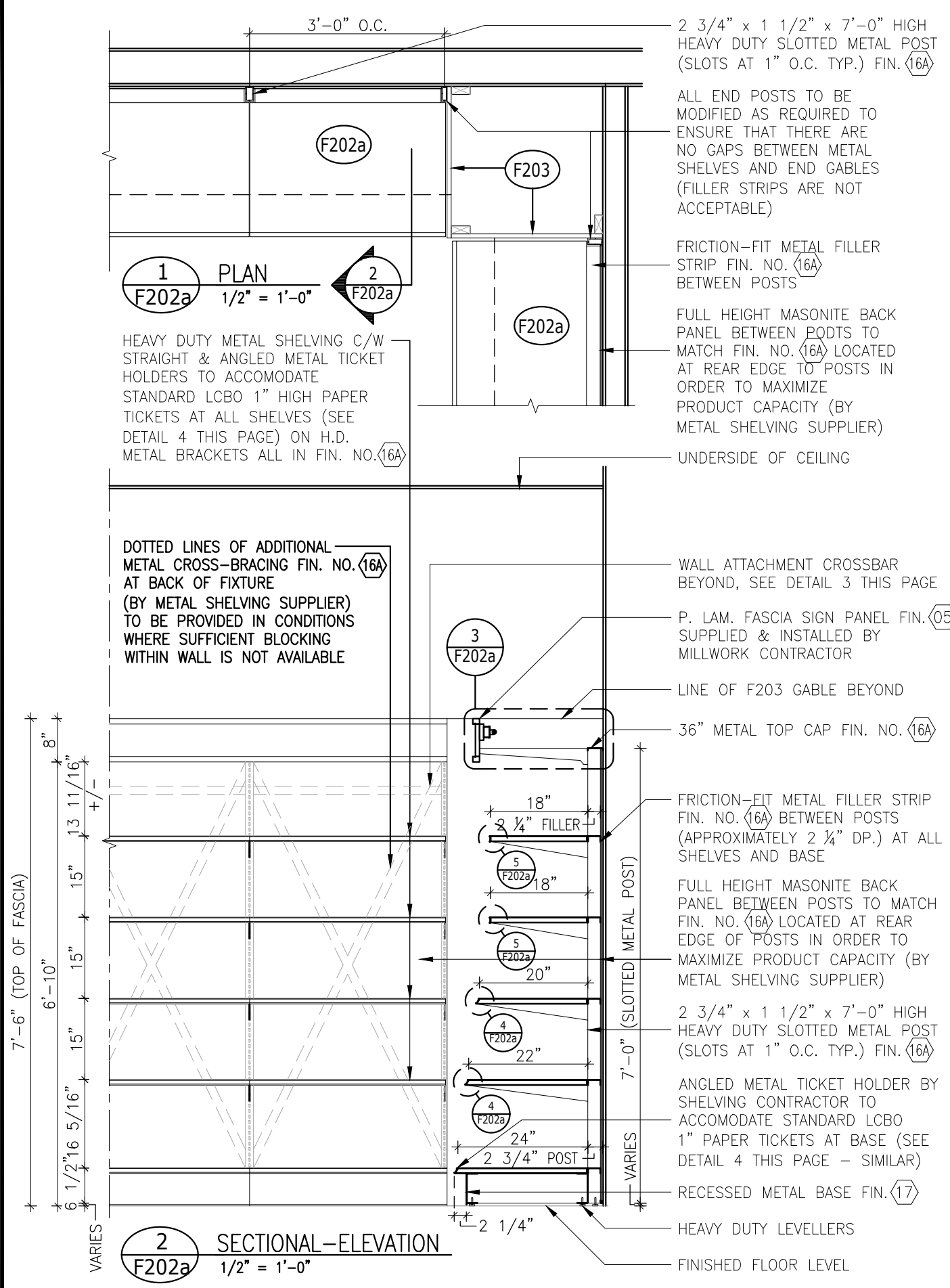
GENERAL NOTES

- DIMENSIONS SHOWN REFLECT SHELF & BASE DIMENSIONS ONLY & DO NOT TAKE METAL TICKET HOLDERS INTO ACCOUNT
- ALL ADJUSTMENTS TO COMPENSATE FOR NON-LEVEL FLOOR SURFACES TO BE MADE AT BOTTOM END OF POST
- GC TO CO-ORDINATE MILLWORK + METAL SHELF INSTALLATION
- T5 FLUORESCENT LIGHT FIXTURES TO BE SUPPLIED & INSTALLED BY G.C.
- GC RESPONSIBLE FOR INSTALLATION OF WALL STRAPPING AS REQ'D.
- MILLWORK CONTRACTOR TO OBTAIN SIGNAGE SAMPLE FROM LCBO PRIOR TO FABRICATION TO ENSURE PROPER FIT OF SIGNAGE INSERT
- SHELVING SUPPLIER TO OBTAIN 1" HIGH PAPER TICKET SAMPLE FROM LCBO PRIOR TO FABRICATION TO ENSURE PROPER FIT WITHIN TICKET MOULDING. SUBMIT SAMPLE FOR APPROVAL
- GC TO ENSURE ALL SHELVES ARE IN EXACT ALIGNMENT AND ARE TRUE & LEVEL. PERFORATED SHELVES ARE ACCEPTABLE. SHELVES TO SUPPORT LOAD CAPACITY OF 500LBS
- ALL END POSTS TO BE MODIFIED AS REQUIRED TO ENSURE THAT THERE ARE NO GAPS BETWEEN METAL SHELVES AND END GABLES (FILLER STRIPS ARE NOT ACCEPTABLE)

GENERAL NOTES

- ALL DIMENSIONS INDICATED FROM FINISH FLOOR ARE TAKEN FROM THE HIGHEST FINISHED FLOOR ELEVATION OF THAT FLOOR SYSTEM
- ALL ADJUSTMENTS TO COMPENSATE FOR NON-LEVEL FLOOR SURFACES TO BE MADE AT BOTTOM END OF POST
- G.C. TO CO-ORDINATE MILLWORK + METAL SHELF INSTALLATION
- SHELVING SUPPLIER RESPONSIBLE FOR INSTALLATION OF WALL STRAPPING AS REQUIRED
- MILLWORK CONTRACTOR TO OBTAIN SIGNAGE SAMPLE FROM LCBO PRIOR TO FABRICATION TO ENSURE PROPER FIT OF SIGNAGE INSERT
- SHELVES TO SUPPORT LOAD CAPACITY OF 500LBS
- ALL END POSTS TO BE MODIFIED AS REQUIRED TO ENSURE THAT THERE ARE NO GAPS BETWEEN METAL SHELVES AND END GABLES (FILLER STRIPS ARE NOT ACCEPTABLE)

LCBO	200 GENERAL LIST	REVISION DATE	REV.	1 of 1	ISSUE DATE	STORE TYPE	STORE #
	36" PERIM. MET. SHELVING UNIT w/ FASCIA & MET. TICKET MOULD.	2021 MAR	17	F202	2021 APR		



1 PLAN
F202a 1/2" = 1'-0"

2 SECTIONAL-ELEVATION
F202a 1/2" = 1'-0"

NOTE:
MILLWORK CONTRACTOR TO ENSURE THAT WOOD SIGN BAND IS TRUE AND LEVEL

NOTE: ALL 1" METAL TICKET HOLDERS TO RECEIVE 1 3/4" PLASTIC TICKET HOLDER INSERT (SUPPLIED & INSTALLED BY METAL SHELVING SUPPLIER) TO SPAN LENGTH OF SHELF SECTION

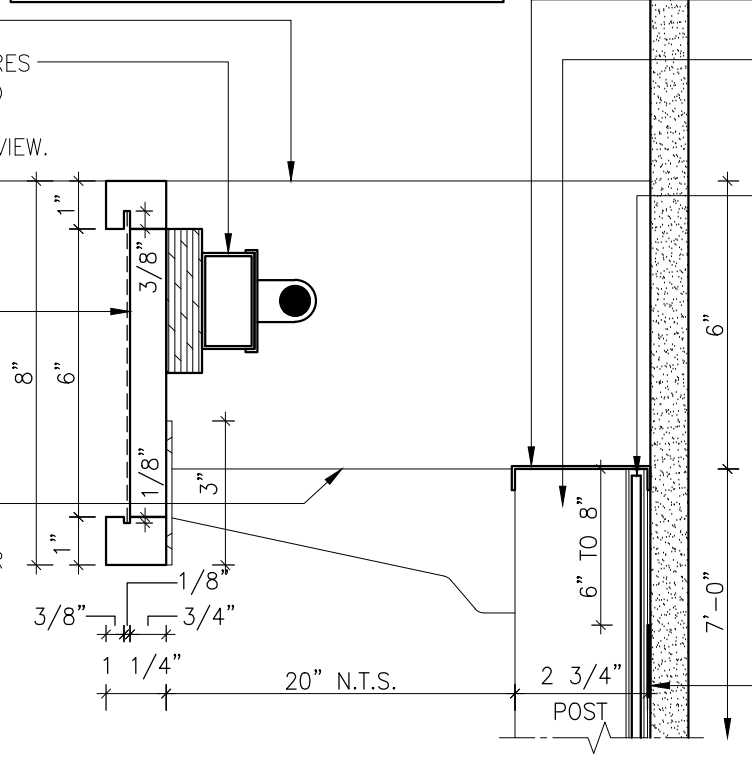
NOTE:
ALL 1" METAL TICKET HOLDERS TO RECEIVE 1 3/4" PLASTIC TICKET HOLDER INSERT TO SPAN LENGTH OF SHELF SECTION

LINE OF F203 GABLE BEYOND
T5 FLUORESCENT LIGHT FIXTURES MOUNTED TO A 3/4" PLYWOOD STRIP. ALL POWER FEEDS CONCEALED FROM CUSTOMER VIEW.

P.LAM FASCIA SIGN PANEL FIN. NO. (05) SUPPLIED AND INSTALLED BY MILLWORK CONTRACTOR WITH AS FEW SEAMS AS POSSIBLE (i.e. MINIMUM 8'-0" LENGTHS EXCEPT AT END RUNS AS REQ'D.

20" METAL BRACKET W/ WELDED 3" X 3" METAL FLANGE BY SHELVING SUPPLIER ALL IN FIN. NO. (16A)

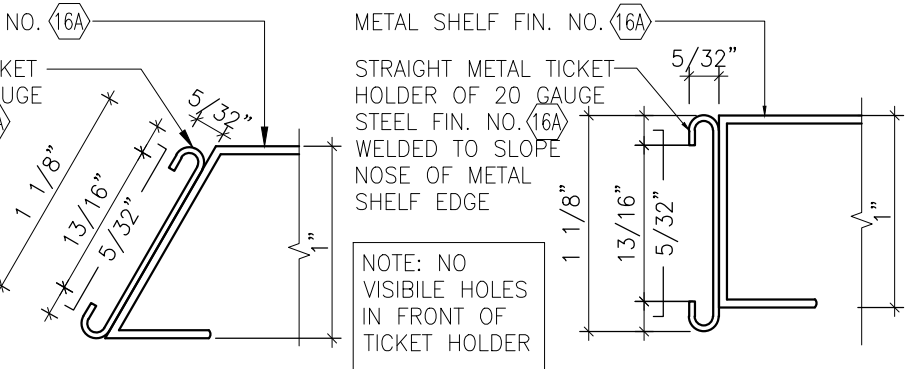
3 DETAIL
F202a 3" = 1'-0"



METAL SHELF FIN. NO. (16A)
ANGLED METAL TICKET HOLDER OF 20 GAUGE STEEL FIN. NO. (16A) WELDED TO SLOPE NOSE OF METAL SHELF EDGE

NOTE: NO VISIBLE HOLES IN FRONT OF TICKET HOLDER

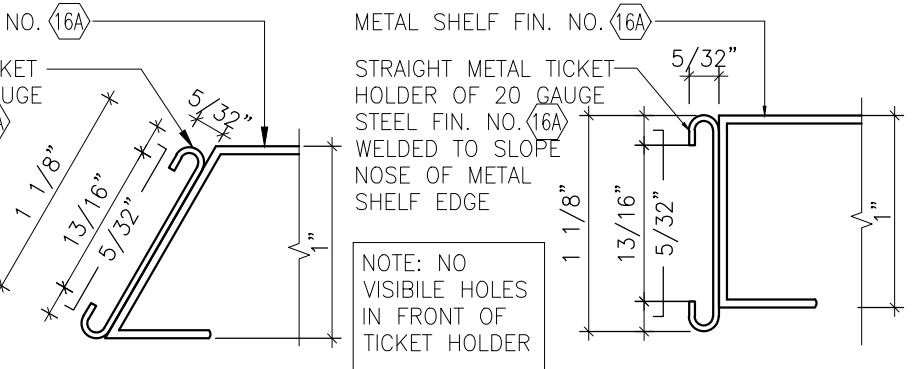
4 ANGLED METAL TICKET HOLDER DETAIL
F202a FULL SCALE



METAL SHELF FIN. NO. (16A)
STRAIGHT METAL TICKET HOLDER OF 20 GAUGE STEEL FIN. NO. (16A) WELDED TO SLOPE NOSE OF METAL SHELF EDGE

NOTE: NO VISIBLE HOLES IN FRONT OF TICKET HOLDER

5 STRAIGHT METAL TICKET HOLDER DETAIL
F202a FULL SCALE



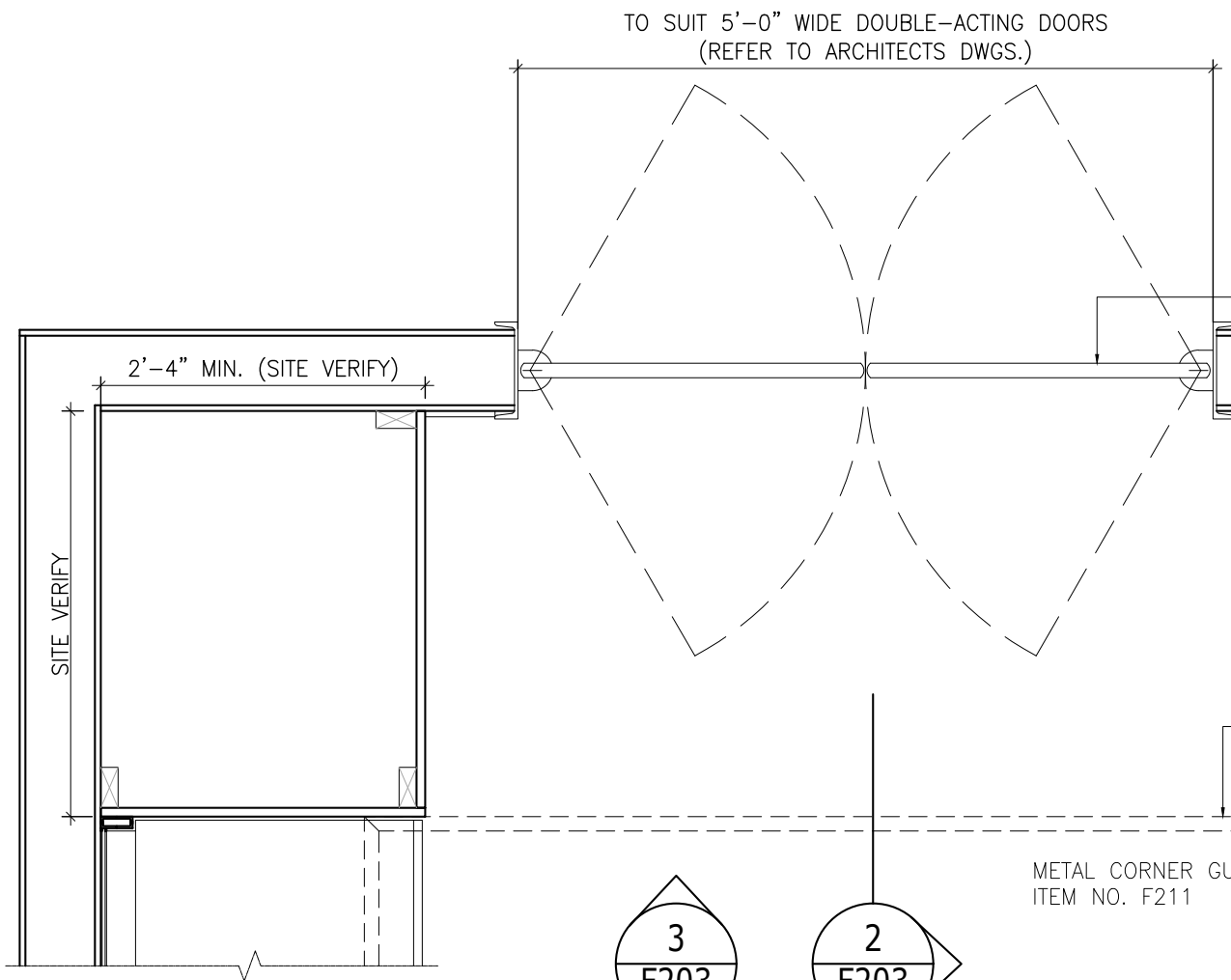
GENERAL NOTES

- DIMENSIONS SHOWN REFLECT SHELF & BASE DIMENSIONS ONLY & DO NOT TAKE METAL TICKET HOLDERS INTO ACCOUNT
- ALL ADJUSTMENTS TO COMPENSATE FOR NON-LEVEL FLOOR SURFACES TO BE MADE AT BOTTOM END OF POST
- GC TO CO-ORDINATE MILLWORK + METAL SHELF INSTALLATION
- T5 FLUORESCENT LIGHT FIXTURES TO BE SUPPLIED & INSTALLED BY G.C.
- GC RESPONSIBLE FOR INSTALLATION OF WALL STRAPPING AS REQ'D.
- MILLWORK CONTRACTOR TO OBTAIN SIGNAGE SAMPLE FROM LCBO PRIOR TO FABRICATION TO ENSURE PROPER FIT OF SIGNAGE INSERT
- SHELVING SUPPLIER TO OBTAIN 1" HIGH PAPER TICKET SAMPLE FROM LCBO PRIOR TO FABRICATION TO ENSURE PROPER FIT WITHIN TICKET MOULDING. SUBMIT SAMPLE FOR APPROVAL
- GC TO ENSURE ALL SHELVES ARE IN EXACT ALIGNMENT AND ARE TRUE & LEVEL. PERFORATED SHELVES ARE ACCEPTABLE. SHELVES TO SUPPORT LOAD CAPACITY OF 500LBS
- ALL END POSTS TO BE MODIFIED AS REQUIRED TO ENSURE THAT THERE ARE NO GAPS BETWEEN METAL SHELVES AND END GABLES (FILLER STRIPS ARE NOT ACCEPTABLE)

GENERAL NOTES

- ALL DIMENSIONS INDICATED FROM FINISH FLOOR ARE TAKEN FROM THE HIGHEST FINISHED FLOOR ELEVATION OF THAT FLOOR SYSTEM
- ALL ADJUSTMENTS TO COMPENSATE FOR NON-LEVEL FLOOR SURFACES TO BE MADE AT BOTTOM END OF POST
- G.C. TO CO-ORDINATE MILLWORK + METAL SHELF INSTALLATION
- SHELVING SUPPLIER RESPONSIBLE FOR INSTALLATION OF WALL STRAPPING AS REQUIRED
- MILLWORK CONTRACTOR TO OBTAIN SIGNAGE SAMPLE FROM LCBO PRIOR TO FABRICATION TO ENSURE PROPER FIT OF SIGNAGE INSERT
- SHELVES TO SUPPORT LOAD CAPACITY OF 500LBS
- ALL END POSTS TO BE MODIFIED AS REQUIRED TO ENSURE THAT THERE ARE NO GAPS BETWEEN METAL SHELVES AND END GABLES (FILLER STRIPS ARE NOT ACCEPTABLE)

LCBO	200 GENERAL LIST	REVISION DATE	REV.	1 of 1	ISSUE DATE	STORE TYPE	STORE #
	36" PERIM. MET. SHELVING UNIT w/ FASCIA, MET. TICKET MOULD. & METAL CROSS BRACING	2021 MAR.	17	F202a	2021 APR		



DOUBLE-ACTING DOORS, REFER TO LCBO SRRS SPECIFICATIONS. METAL DOOR FRAME TO BE PAINTED IN EPOXY PAINT FINISH TO MATCH FIN. NO. (20A) BY GC

4" HIGH TILE BASE BELOW, FIN. NO. (42) REFER TO ARCHITECTURAL DWGS.

TYPICAL F203 3/4" PLY CORE END GABLE SECURED TO METAL SHELVING UNITS FINISH NO. (05) TO ALL SIDES, ALL CONNECTIONS TO BE CONCEALED

DOTTED LINES OF P. LAM. FASCIA SIGN PANEL FIN. NO. (05) SUPPLIED AND INSTALLED BY MILLWORK CONTRACTOR. FASCIA TO WRAP AROUND END GABLES, MITRE ALL CORNERS

METAL CORNER GUARD
ITEM NO. F211

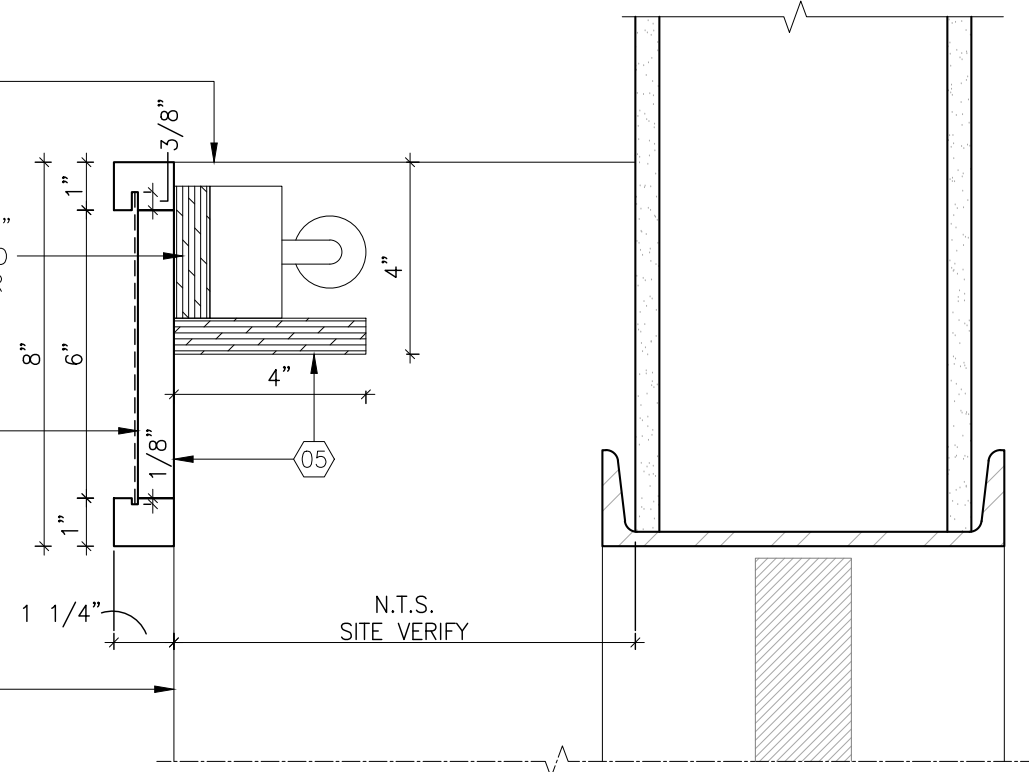
LINE OF MILLWORK GABLE BEYOND ITEM F203 P. LAM. FIN. NO. (05)

T5 FLUORESCENT LIGHT FIXTURES MOUNTED TO A 3/4" PLYWOOD STRIP & CONNECTED TO END, CONCEAL ALL POWER FEEDS FROM CUSTOMER VIEW

P.LAM FASCIA SIGN PANEL FIN. NO. (05) SUPPLIED AND INSTALLED BY MILLWORK CONTRACTOR

MILLWORK CONTRACTOR TO ENSURE THAT WOOD SIGN BAND IS TRUE AND LEVEL

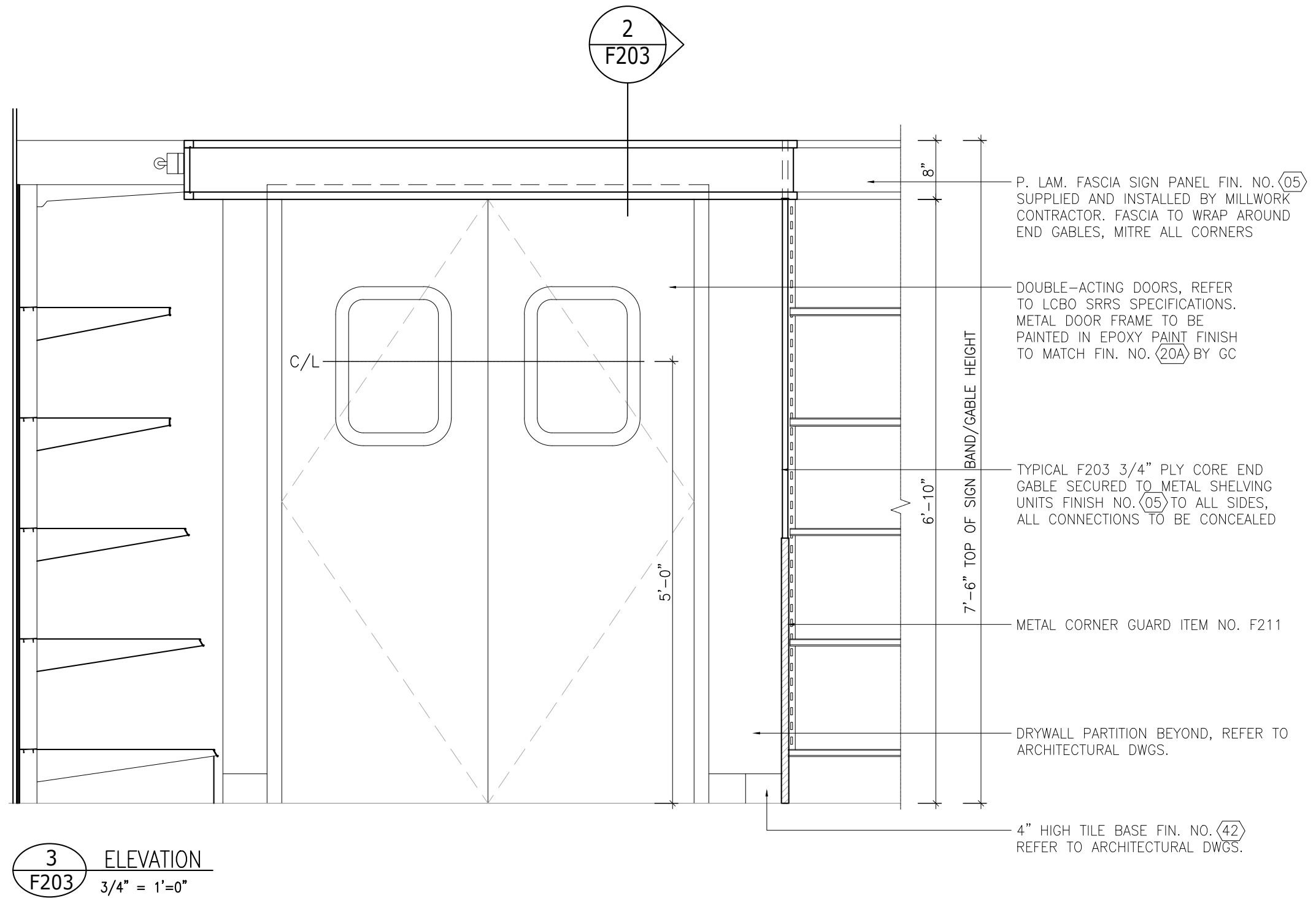
LINE OF MILLWORK GABLE BEYOND ITEM F203 P. LAM. FIN. NO. (05)



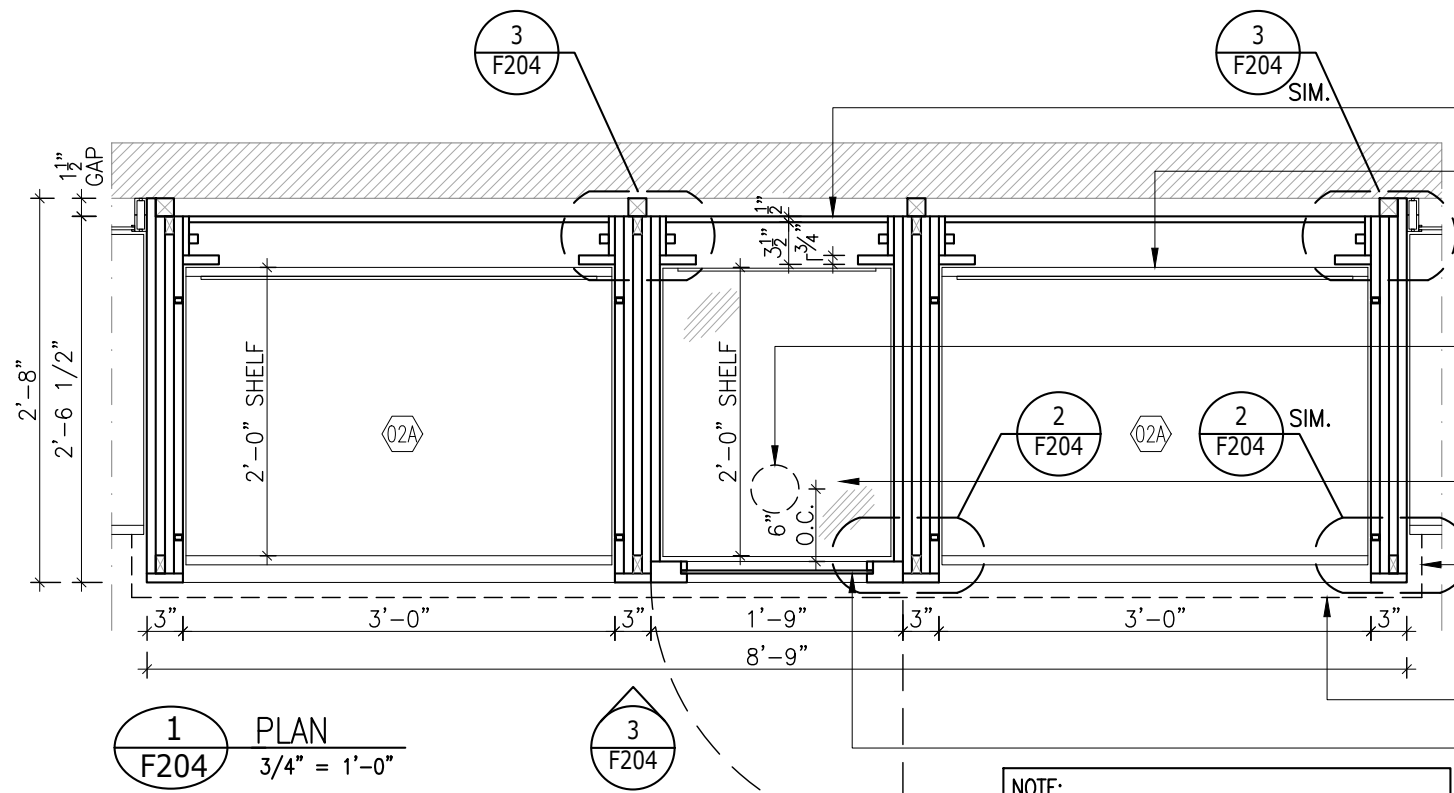
1 PLAN
F203 3/4" = 1'-0"

2 DETAIL
F203 3" = 1'-0"

LCBO	200 GENERAL LIST	REVISION DATE	REV.	1 of 2	ISSUE DATE	STORE TYPE	STORE #
	PERIMETER SHELVING GABLE/FILLER PANEL	2019 APR	16	F203	2021 APR		



LCBO	200 GENERAL LIST	REVISION DATE	REV.	2 OF 2	ISSUE DATE	STORE TYPE	STORE #
	PERIMETER SHELVING GABLE/FILLER PANEL	2019 APR	16	F203	2021 APR		



NOTE:
SOLID WOOD GRADE TO BE FAS

NOTE:
LOCKS FOR F204, F205, F255, F256, F268, F269, F270, F276, F277, F278, F305, F307, F331, F333, F358, F359, F360, F361, F407, F415 AND F416 TO BE KEYED ALIKE

1/2" THK. P. LAM. PANEL FIN. NO. (02A) AT CENTRE DISPLAY MODULE

ADJ. P. LAM. SHELVES FIN. NO. (02A) W/ HARDWOOD TICKET MOULDING FIN. NO. (30) & 1/4" SQ. METAL RAIL AT BACK OF SHELF FIN. NO. (55)

DOTTED LINES OF RECESSED L.E.D. POTLIGHT BEYOND SUPPLIED + INSTALLED BY MILLWORK CONTRACTOR, FINAL CONNECTIONS BY GC.

ADJUSTABLE 3/8" THK. CLEAR TEMP. GLASS SHELF ON ADJUSTABLE METAL SHELF CLIPS #3020180 (NICKEL) BY RICHELIEU C/W 1/4" SQ. METAL RAIL FIN. NO. (55) AT BACK OF SHELF, SEE DET '11', DWG. F204

TOP OF GLASS SHELVES TO ALIGN W/ TOP OF ADJACENT PLYWOOD SHELVES

DOTTED LINE OF WOOD FASCIA ABOVE

1 3/4" THK. LOCKABLE WOOD FRAMED DOOR FIN. NO. (30) W/ 3/8" (10mm) THK. CLEAR TEMPERED GLASS INSERT W/ RICHELIEU HANDLE #458160195, SEE PAGE 2/F204 FOR ADDITIONAL HARDWARE SPECS.

GENERAL NOTES:
ALL VERTICAL SURFACES ON THE INTERIOR OF THE 'WHISKY' MILLWORK DETAILS (GABLES, BACK PANELS, AND DIVIDERS) ARE TO BE CONSTRUCTED OF PREFINISHED PARTICLE BOARD PANELS W/ MELAMINE FIN. NO. (02A) BOTH SIDES. MILLWORK CONTRACTOR TO PROVIDE HARDWOOD EDGE IN FIN. NO. (30) TO ALL EXPOSED EDGES.

NOTE:
MILLWORK CONTRACTOR TO PROVIDE (1) COAT OF URETHANE SEALER AND (2) TOP COATS OF SATIN LACQUER TO FIN. NO. (30)

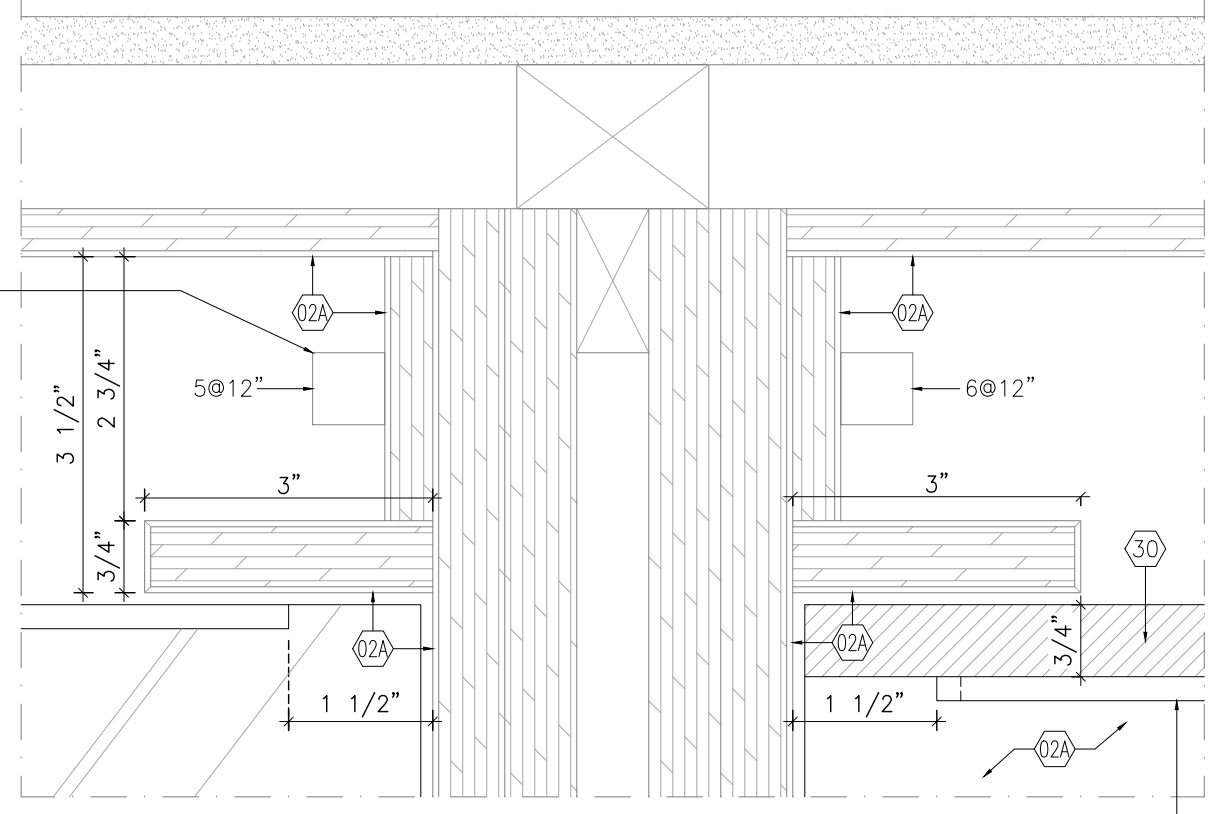
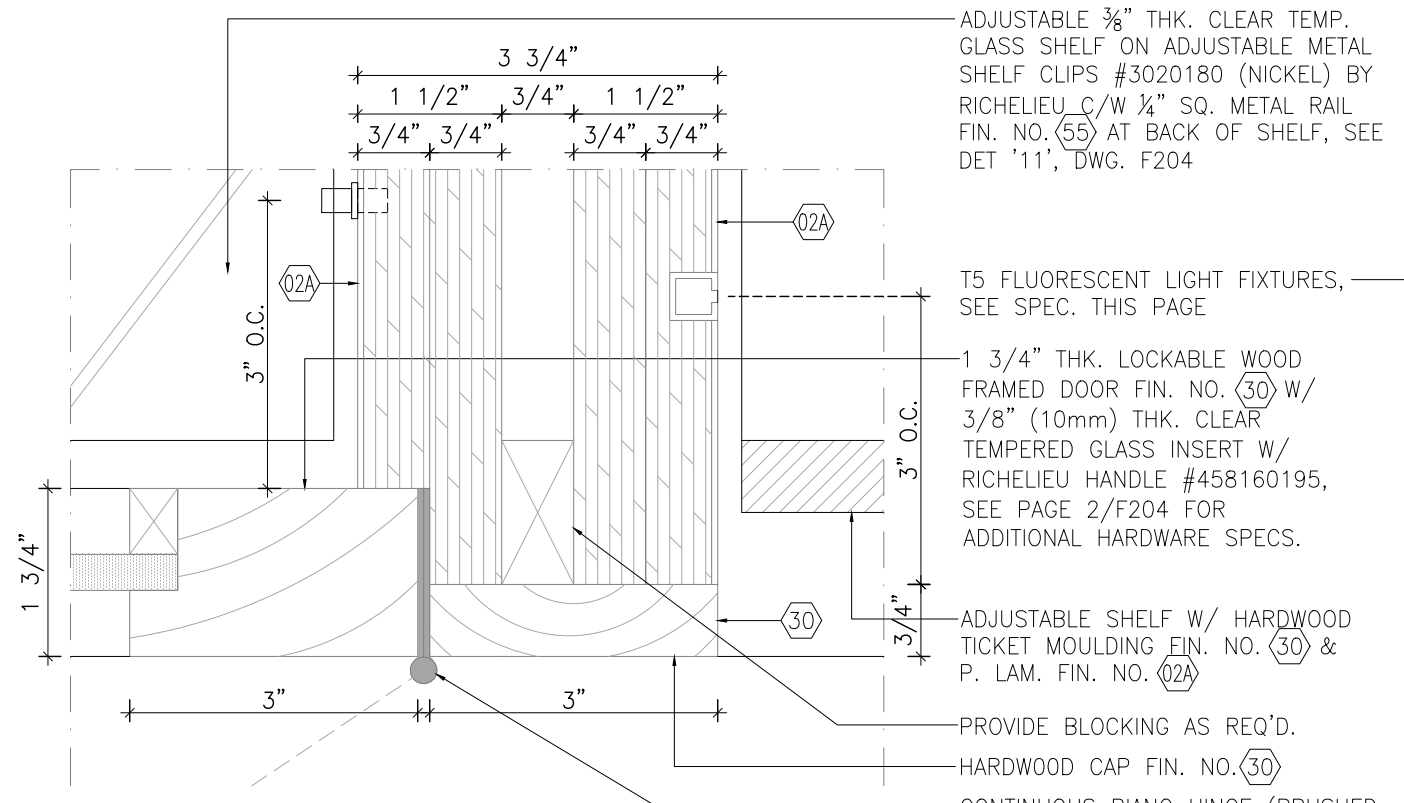
MILLWORK CONTRACTOR TO ENSURE THAT ALL SHELVES ARE IN EXACT ALIGNMENT WITH ADJACENT PERIMETER SHELVING.

T5 FLUORESCENT LIGHT FIXTURES:
PROVIDE 10 @ 12" LENGTH AND 24 @ 12" LENGTH AS INDICATED WITHIN MILLWORK.

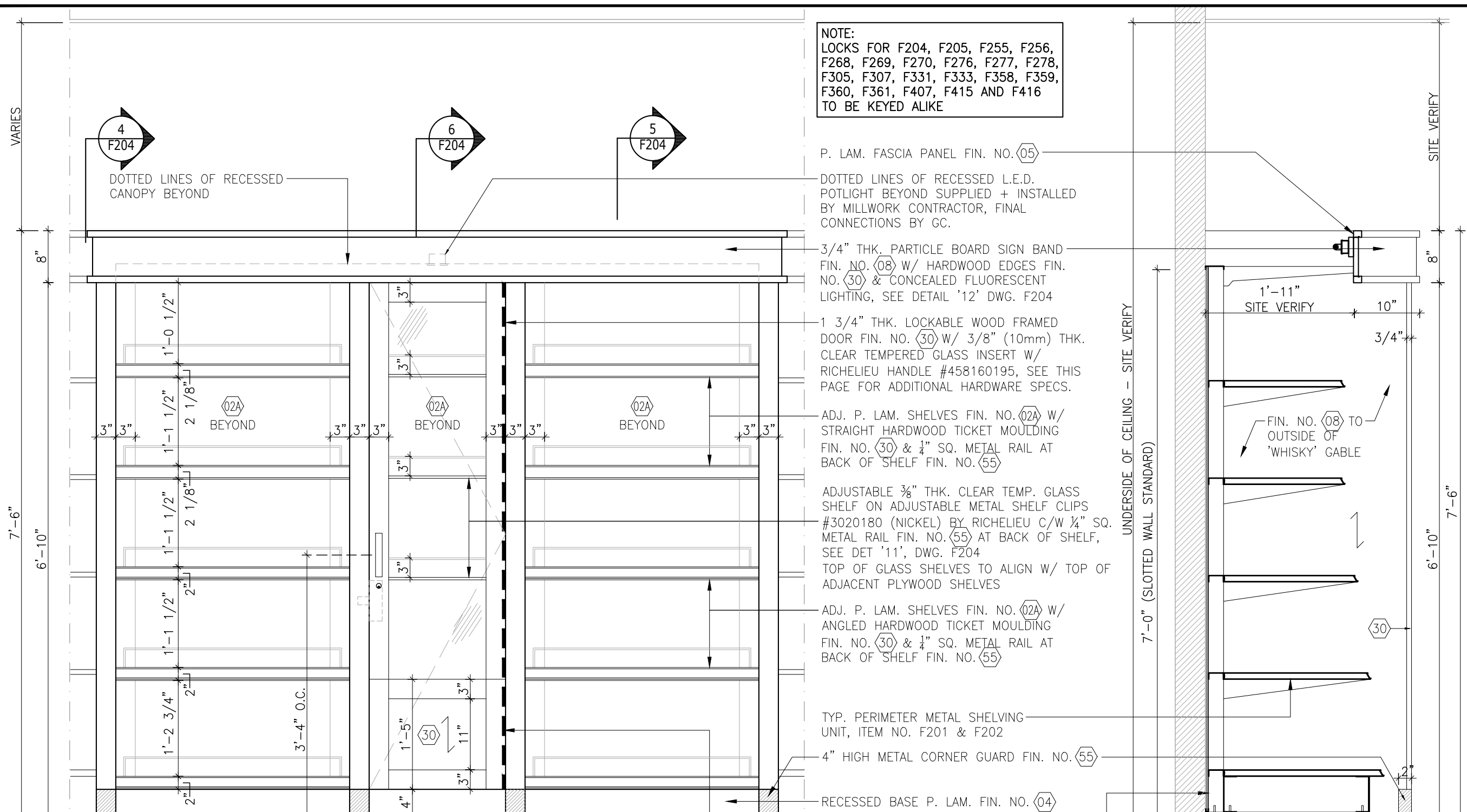
T5 FLUORESCENT LIGHT FIXTURES BY RICHELIEU:
MODEL#: 79992314
LENGTH=12"
OUTPUT=14 WATTS
COLOUR TEMP. 3000°K
DURATION: 20,000 HRS

RECESSED MINI L.E.D. POTLIGHT BY: JUNO LIGHTING GROUP
MINI LED GIMBAL - 3000°K
#MG1LG2-3K-NFL-SN (SATIN NICKEL)

*ALL L.E.D. LIGHTING AND ASSOCIATED COMPONENTS TO BE SUPPLIED & INSTALLED BY MILLWORK CONTRACTOR, FINAL CONNECTION BY G.C.'S ELECTRICAL SUBTRADE. ENSURE ALL WIRING/DRIVERS ARE CONCEALED FROM CUSTOMER'S VIEW.



LCBO	200 GENERAL LIST	REVISION DATE	REV.	1 of 4	ISSUE DATE	STORE TYPE	STORE #
	WHISKY WALL FIXTURE	2017 NOV	15	F204	2021 APR		



NOTE:
 LOCKS FOR F204, F205, F255, F256, F268, F269, F270, F276, F277, F278, F305, F307, F331, F333, F358, F359, F360, F361, F407, F415 AND F416 TO BE KEYED ALIKE

P. LAM. FASCIA PANEL FIN. NO. (05)
 DOTTED LINES OF RECESSED L.E.D. POTLIGHT BEYOND SUPPLIED + INSTALLED BY MILLWORK CONTRACTOR, FINAL CONNECTIONS BY GC.

3/4" THK. PARTICLE BOARD SIGN BAND FIN. NO. (08) W/ HARDWOOD EDGES FIN. NO. (30) & CONCEALED FLUORESCENT LIGHTING, SEE DETAIL '12' DWG. F204

1 3/4" THK. LOCKABLE WOOD FRAMED DOOR FIN. NO. (30) W/ 3/8" (10mm) THK. CLEAR TEMPERED GLASS INSERT W/ RICHELIEU HANDLE #458160195, SEE THIS PAGE FOR ADDITIONAL HARDWARE SPECS.

ADJ. P. LAM. SHELVES FIN. NO. (02A) W/ STRAIGHT HARDWOOD TICKET MOULDING FIN. NO. (30) & 1/4" SQ. METAL RAIL AT BACK OF SHELF FIN. NO. (55)

ADJUSTABLE 3/8" THK. CLEAR TEMP. GLASS SHELF ON ADJUSTABLE METAL SHELF CLIPS #3020180 (NICKEL) BY RICHELIEU C/W 1/4" SQ. METAL RAIL FIN. NO. (55) AT BACK OF SHELF, SEE DET '11', DWG. F204

TOP OF GLASS SHELVES TO ALIGN W/ TOP OF ADJACENT PLYWOOD SHELVES

ADJ. P. LAM. SHELVES FIN. NO. (02A) W/ ANGLED HARDWOOD TICKET MOULDING FIN. NO. (30) & 1/4" SQ. METAL RAIL AT BACK OF SHELF FIN. NO. (55)

TYP. PERIMETER METAL SHELVING UNIT, ITEM NO. F201 & F202

4" HIGH METAL CORNER GUARD FIN. NO. (55)

RECESSED BASE P. LAM. FIN. NO. (04)

2 3/4" X 1 1/2" X 7'-0" H. HEAVY DUTY SLOTTED METAL BY VIC SHELVING OR EQUAL

DOTTED LINE OF CONTINUOUS PIANO HINGE (BRUSHED NICKEL). SEE THIS PAGE FOR SPEC.

NOTE:
 MILLWORK CONTRACTOR TO ENSURE THAT FIXTURE IS CONSTRUCTED SO THAT LIGHT FIXTURES CAN BE SERVICED AND/OR REMOVED WITHOUT DISMANTLING MILLWORK

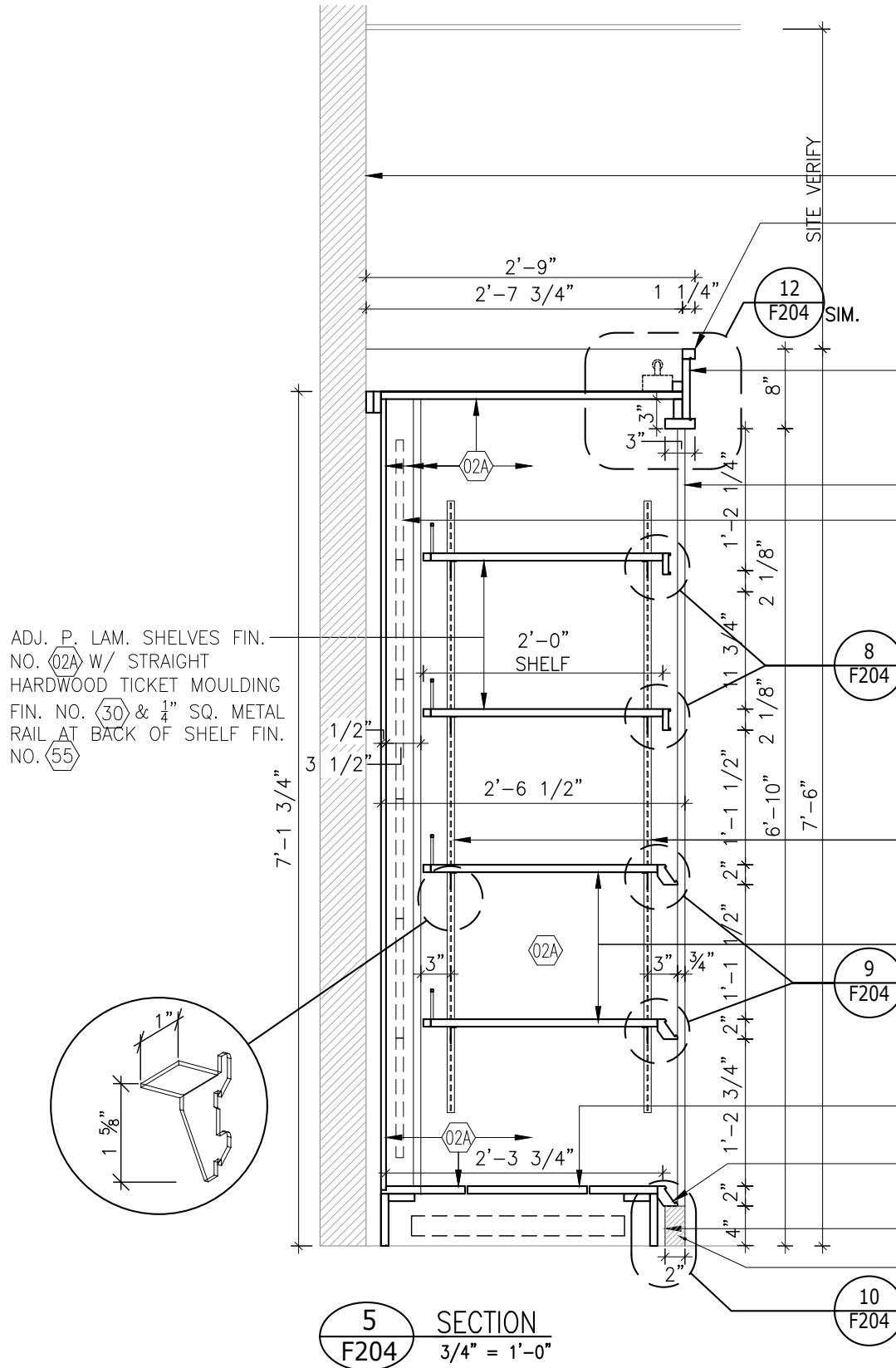
NOTE:
 SOLID WOOD GRADE TO BE FAS

3 ELEVATION
 F204 3/4" = 1'-0"

HARDWARE SPECIFICATIONS:
 ADAM RITE DEADLOCK #ARMS1850S410628
 MORTISE CYLINDER #LSM1002SCC26D
 1" C/W (2) KEYS CLEAR ANODIZED ALUMINUM FINISH
 STRIKE FOR HOOK BOLT #ARMS4001031628
 SPACER RING #IL861F2810 - 1/4" THK. CLEAR ANODIZED ALUMINUM
NOTE: LOCK CYLINDER TO BE SUPPLIED & INSTALLED BY LCBO, FITUP BY G.C.
 3" .060 GA 8FT LONG CONTINUOUS PIANO HINGE BY RICHELIEU
 MODEL: #76096180 (BRUSHED NICKEL FINISH)
 DOOR PULL BY RICHELIEU
 MODEL: #458160195 (BRUSHED NICKEL FINISH)

4 SECTIONAL-ELEVATION
 F204 3/4" = 1'-0"

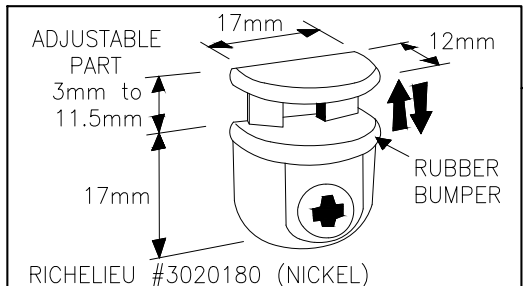
LCBO	200 GENERAL LIST	REVISION DATE	REV.	2 of 4	ISSUE DATE	STORE TYPE	STORE #
	WHISKY WALL FIXTURE	2017 NOV	15	F204	2021 APR		



5 SECTION
F204 3/4" = 1'-0"

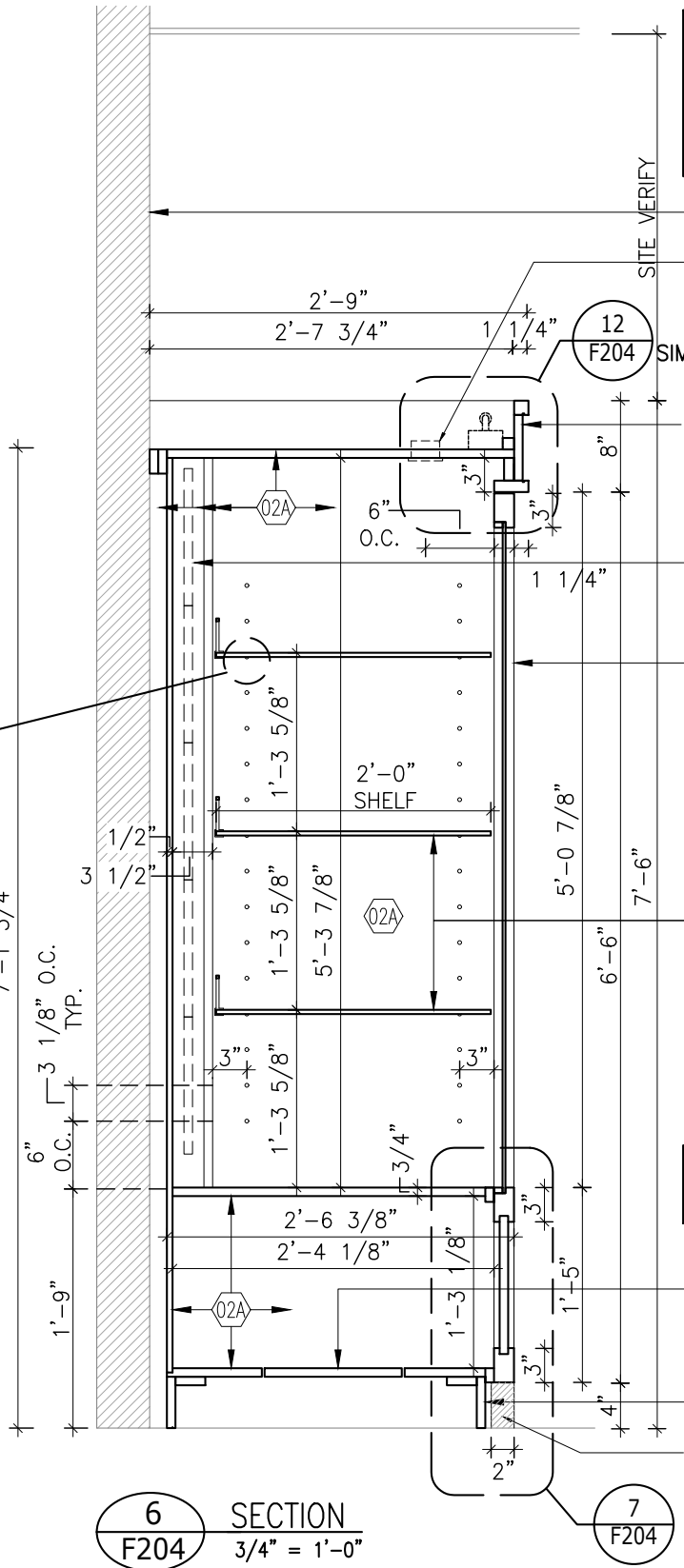
NOTE:
MILLWORK CONTRACTOR TO ENSURE THAT
FIXTURE IS CONSTRUCTED SO THAT LIGHT
FIXTURES CAN BE SERVICED AND/OR
REMOVED WITHOUT DISMANTLING MILLWORK

- DRYWALL PARTITION
- 3/4" THK. PARTICLE BOARD SIGN BAND FIN. NO. (08) W/ HARDWOOD EDGES FIN. NO. (30) & CONCEALED FLUORESCENT LIGHTING, SEE DETAIL '12' DWG. F204
- 3/4" THK. PARTICLE BOARD SIGN BAND FIN. NO. (08) W/ HARDWOOD EDGES FIN. NO. (30) & CONCEALED FLUORESCENT LIGHTING, SEE DETAIL '12' DWG. F204
- HARDWOOD EDGE FIN. NO. (30)
- DOTTED LINES OF T5 FLUORESCENT LIGHT FIXTURE (6@12"), SEE DWG. 1 of 4 FOR SPEC.



- PROVIDE HEAVY DUTY RECESSED SLOTTED STANDARDS W/ 5/8" SLOTS @ 1" O.C. (KEMBER #5000 SERIES) AND KEMBER #5037 STUB BRACKETS BOTH TO MATCH FIN. NO. (55)
- ADJ. P. LAM. SHELVES FIN. NO. (02A) W/ ANGLED HARDWOOD TICKET MOULDING FIN. NO. (30) & 1/4" SQ. METAL RAIL AT BACK OF SHELF FIN. NO. (55)

- REMOVABLE ACCESS PANEL FIN. NO. (02A) FOR ACCESS TO REMOTE BALLASTS
- ANGLED HARDWOOD TICKET MOULDING FIN. NO. (30)
- RECESSED BASE P. LAM. FIN. NO. (04)
- 4" HIGH METAL CORNER BEYOND GUARD FIN. NO. (55)



6 SECTION
F204 3/4" = 1'-0"

NOTE:
LOCKS FOR F204, F205, F255, F256, F268, F269, F270, F276, F277, F278, F305, F307, F331, F333, F358, F359, F360, F361, F407, F415 AND F416 TO BE KEYED ALIKE

- DRYWALL PARTITION
- RECESSED L.E.D. POTLIGHT SUPPLIED + INSTALLED BY MILLWORK CONTRACTOR, FINAL CONNECTIONS BY GC.
- 3/4" THK. PARTICLE BOARD SIGN BAND FIN. NO. (08) W/ HARDWOOD EDGES FIN. NO. (30) & CONCEALED FLUORESCENT LIGHTING, SEE DETAIL '12' DWG. F204
- DOTTED LINES OF T5 FLUORESCENT LIGHT FIXTURE (5x12"), SEE DWG. 1 of 4 FOR SPEC.
- 1 3/4" THK. LOCKABLE WOOD FRAMED DOOR FIN. NO. (30) W/ 3/8" (10mm) THK. CLEAR TEMPERED GLASS INSERT W/ RICHELIEU HANDLE #458160195, SEE PAGE 2/F204 FOR ADDITIONAL HARDWARE SPECS.

- ADJUSTABLE 3/8" THK. CLEAR TEMP. GLASS SHELF ON ADJUSTABLE METAL SHELF CLIPS #3020180 (NICKEL) BY RICHELIEU C/W 1/4" SQ. METAL RAIL FIN. NO. (55) AT BACK OF SHELF, SEE DET '11', DWG. F204
- TOP OF GLASS SHELVES TO ALIGN W/ TOP OF ADJACENT PLYWOOD SHELVES

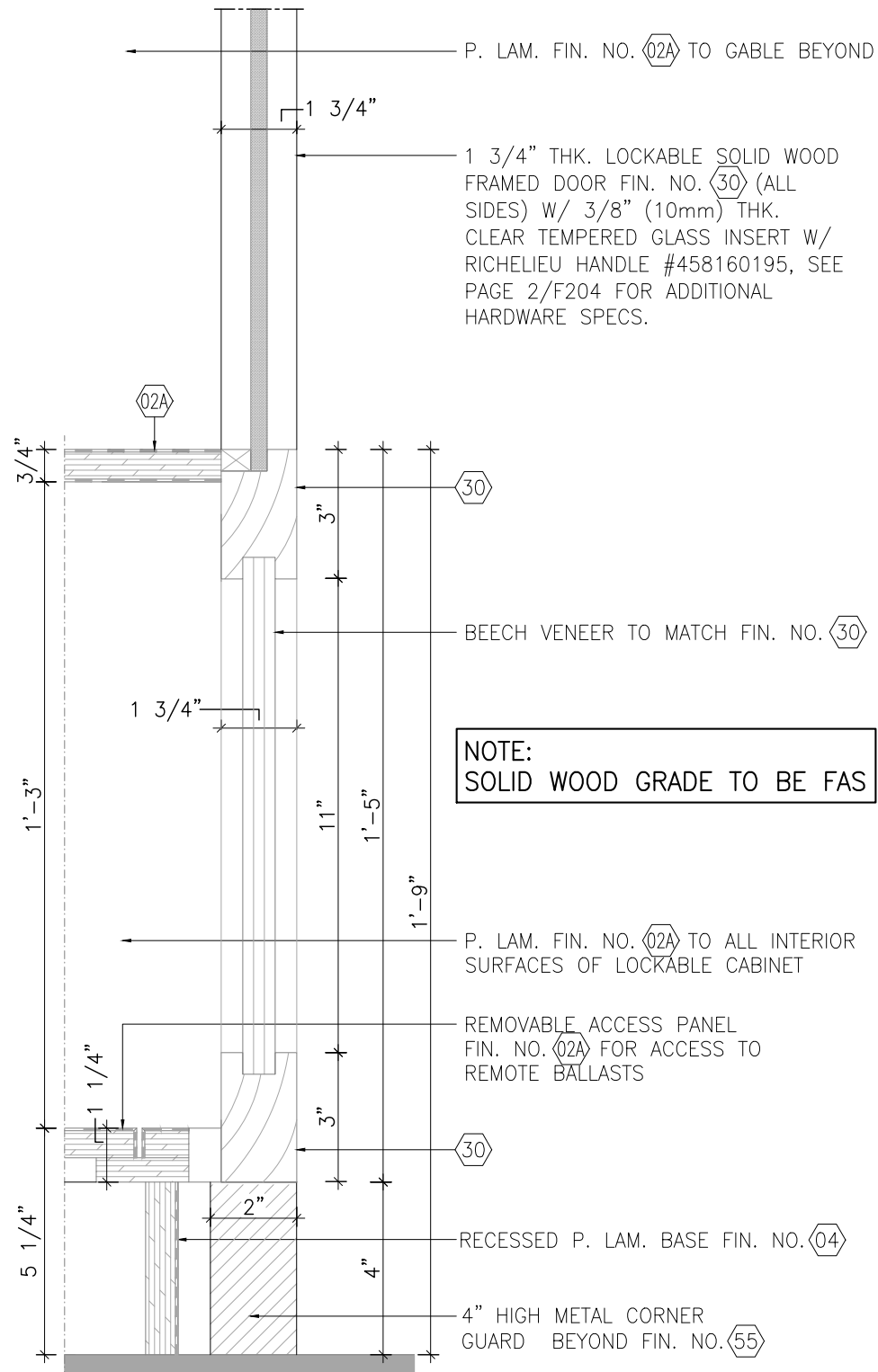
NOTE:
SOLID WOOD GRADE TO BE FAS

- REMOVABLE ACCESS PANEL FIN. NO. (02A) FOR ACCESS TO REMOTE BALLASTS
- RECESSED BASE P. LAM. FIN. NO. (04)
- 4" HIGH METAL CORNER BEYOND GUARD FIN. NO. (55)

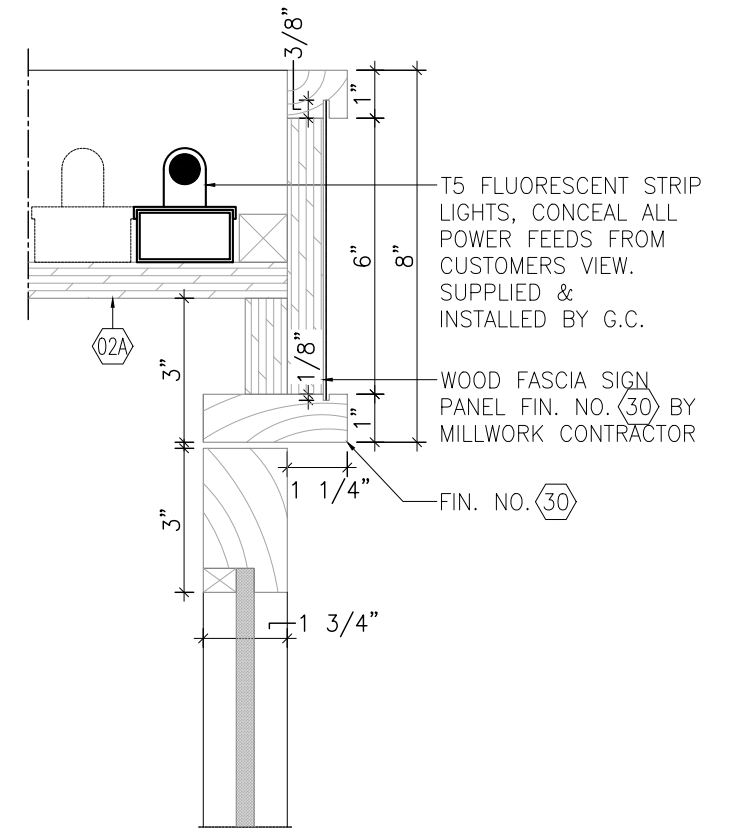
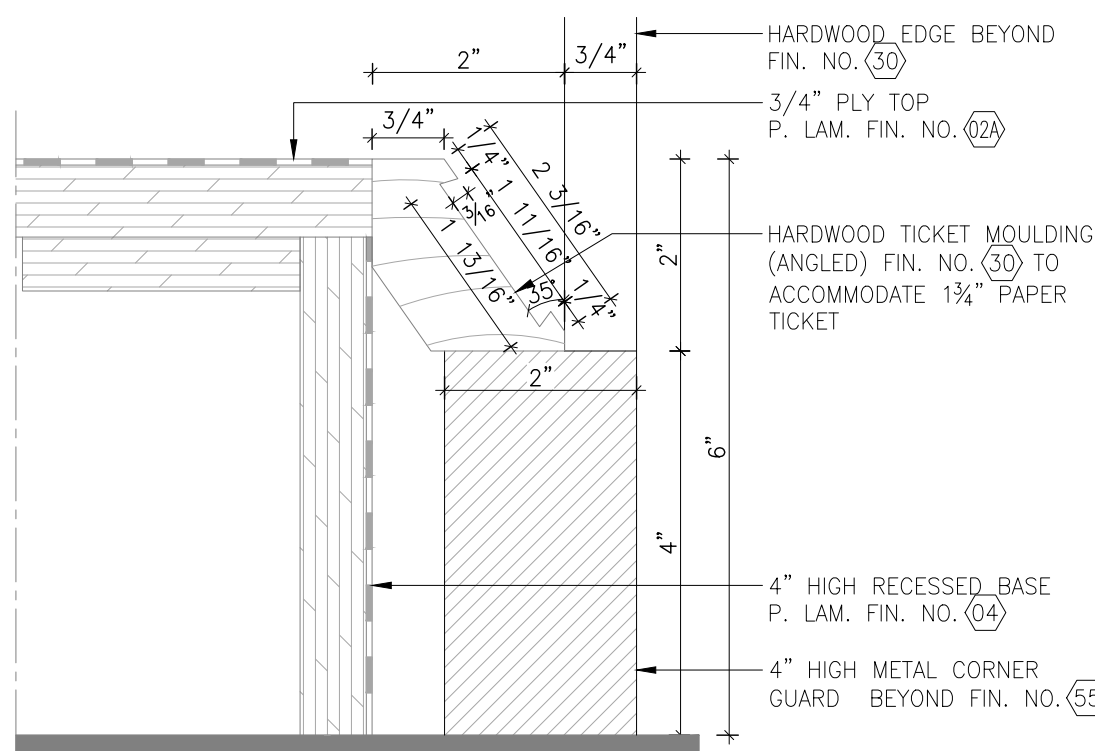
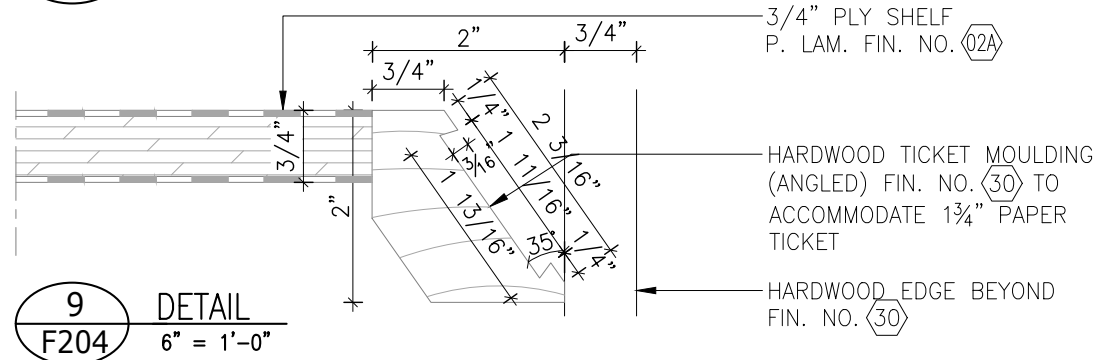
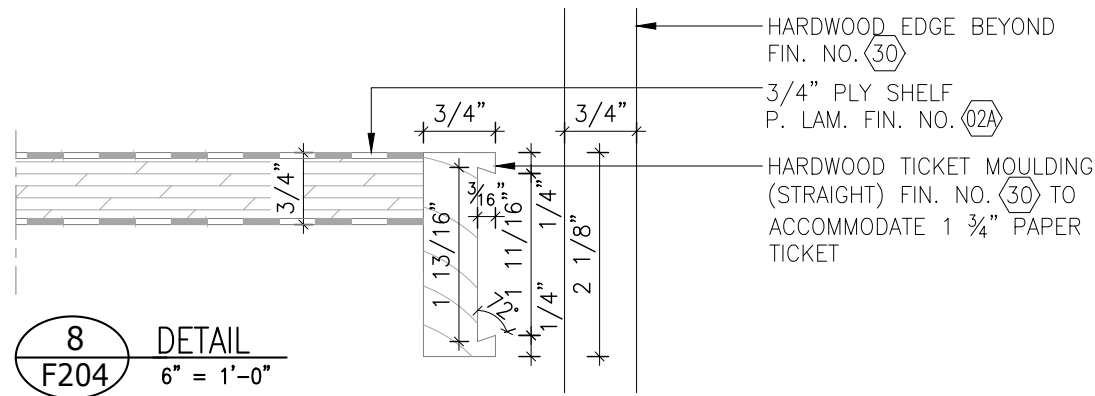
LCBO

200 GENERAL LIST
WHISKY WALL FIXTURE

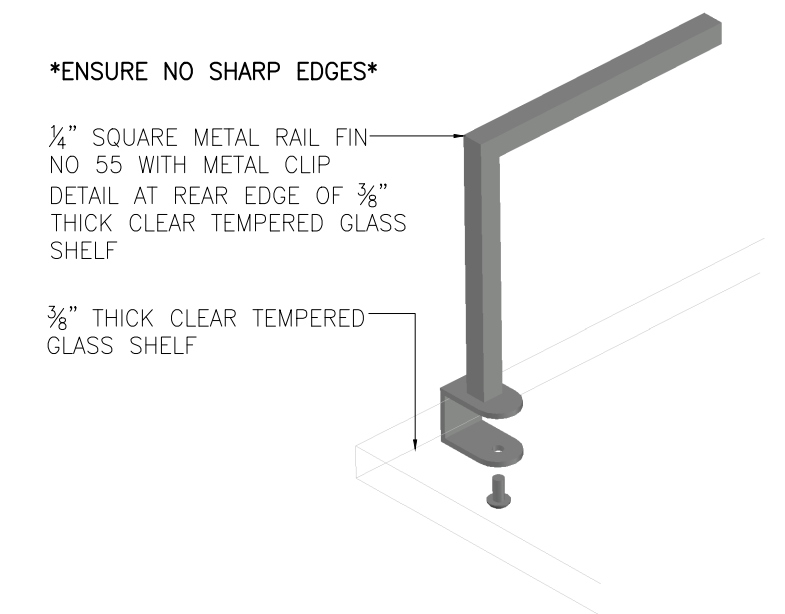
REVISION DATE	REV.	3 of 4	ISSUE DATE	STORE TYPE	STORE #
2017 NOV	15	F204	2021 APR		



7
F204
DETAIL
3" = 1'-0"

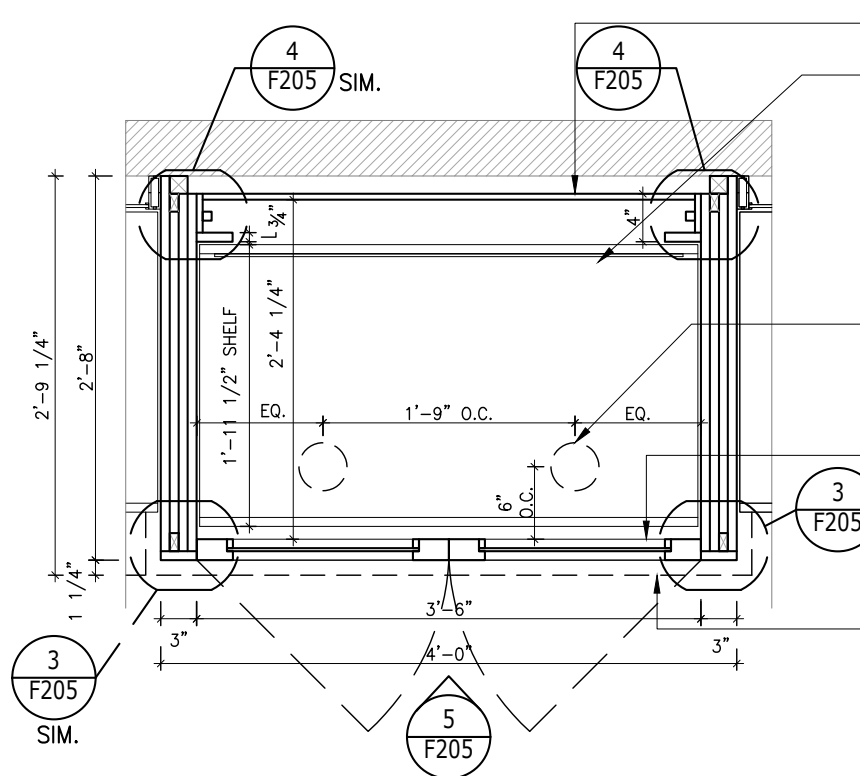


12
F204
DETAIL
3" = 1'-0"



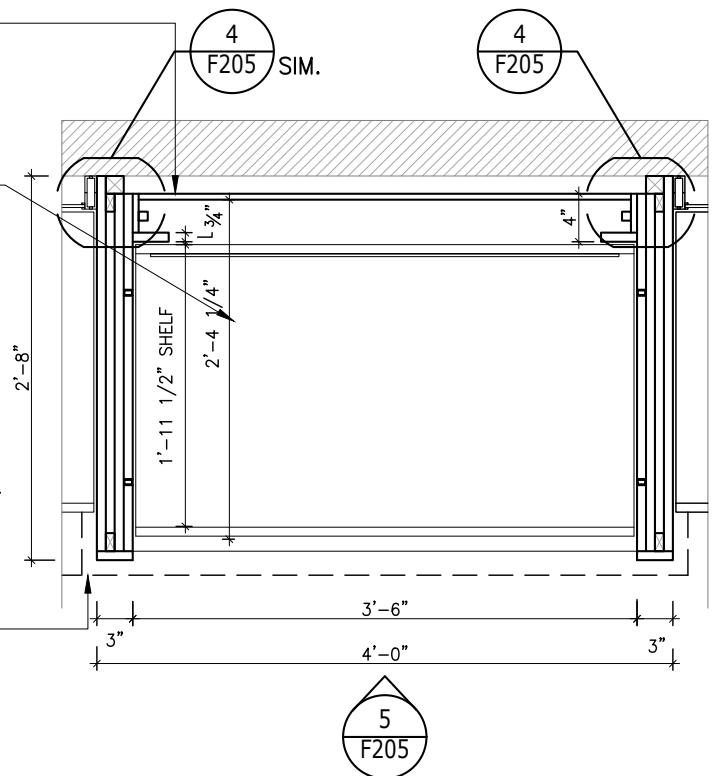
11
F204
ISOMETRIC DETAIL
N.T.S.

LCBO	200 GENERAL LIST	REVISION DATE	REV.	4 of 4	ISSUE DATE	STORE TYPE	STORE #
	WHISKY WALL FIXTURE	2017 NOV	15	F204	2021 APR		

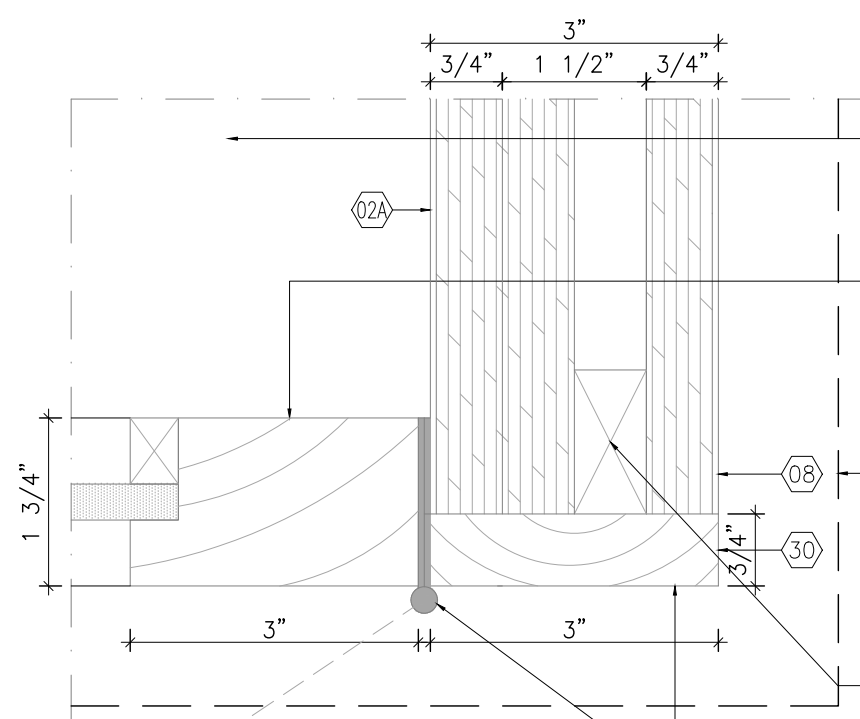


1/2" THK. P. LAM. PANEL FIN. NO. (02A)
 FIXED P. LAM. SHELF FIN. NO. (02A)
 W/ STRAIGHT HARDWOOD TICKET
 MOULDING FIN. NO. (30)
 ADJ. P. LAM. SHELVES FIN. NO. (02A) W/
 HARDWOOD TICKET MOULDING FIN. NO. (30)
 & 1/4" SQ. METAL RAIL AT BACK OF
 SHELF FIN. NO. (55)
 DOTTED LINES OF RECESSED L.E.D.
 POTLIGHT BEYOND SUPPLIED + INSTALLED
 BY MILLWORK CONTRACTOR, FINAL
 CONNECTIONS BY GC.
 1 3/4" THK. LOCKABLE WOOD FRAMED
 DOOR FIN. NO. (30) W/ 3/8" (10mm) THK.
 CLEAR TEMPERED GLASS INSERT W/
 RICHELIEU HANDLE #458160195, SEE THIS
 PAGE FOR ADDITIONAL HARDWARE SPECS.
 DOTTED LINE OF WOOD FASCIA ABOVE

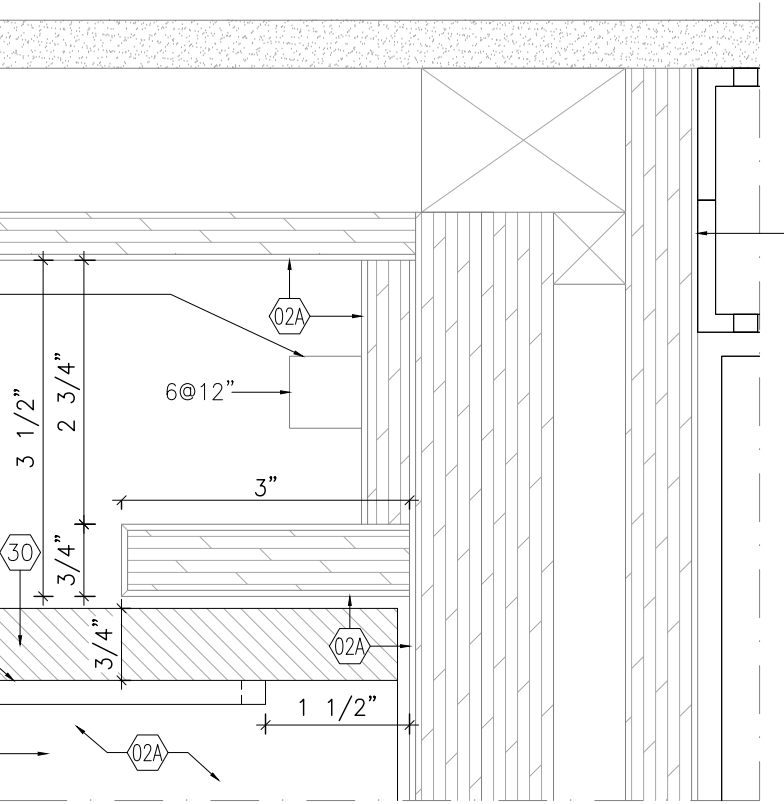
NOTE:
 LOCKS FOR F204, F205, F255, F256,
 F268, F269, F270, F276, F277, F278,
 F305, F307, F331, F333, F358, F359,
 F360, F361, F407, F415 AND F416
 TO BE KEYED ALIKE



GENERAL NOTES:
 ALL VERTICAL SURFACES ON THE INTERIOR OF THE 'WHISKY' MILLWORK
 DETAILS (GABLES, BACK PANELS, AND DIVIDERS) ARE TO BE CONSTRUCTED OF
 PREFINISHED PARTICLE BOARD PANELS W/ MELAMINE FIN. NO. (02A) BOTH
 SIDES. MILLWORK CONTRACTOR TO PROVIDE HARDWOOD EDGE IN FIN. NO. (30)
 TO ALL EXPOSED EDGES.
 NOTE:
 MILLWORK CONTRACTOR TO PROVIDE (1) COAT OF URETHANE SEALER AND
 (2) TOP COATS OF SATIN LACQUER TO FIN. NO. (30)
 MILLWORK CONTRACTOR TO ENSURE THAT ALL SHELVES ARE IN EXACT
 ALIGNMENT WITH ADJACENT PERIMETER SHELVING.
 T5 FLUORESCENT LIGHT FIXTURES:
 PROVIDE 12 @ 12" LENGTH AS SHOWN WITHIN MILLWORK.
 T5 FLUORESCENT LIGHT FIXTURES BY RICHELIEU:
 MODEL#: 79992314
 LENGTH=12"
 OUTPUT=14 WATTS
 COLOUR TEMP. 3000°K
 DURATION: 20,000 HRS
 RECESSED MINI L.E.D. POTLIGHT BY: JUNO LIGHTING GROUP
 MINI LED GIMBAL - 3000°K
 #MG1LG2-3K-NFL-SN (SATIN NICKEL)
 *ALL L.E.D. LIGHTING AND ASSOCIATED COMPONENTS TO BE SUPPLIED &
 INSTALLED BY MILLWORK CONTRACTOR, FINAL CONNECTION BY G.C.'S
 ELECTRICAL SUBTRADE. ENSURE ALL WIRING/DRIVERS ARE CONCEALED FROM
 CUSTOMER'S VIEW.



NOTE:
 SOLID WOOD GRADE TO BE FAS
 FIXED SHELF W/ STRAIGHT HARDWOOD
 TICKET MOULDING FIN. NO. (30) &
 P. LAM. FIN. NO. (02A)
 T5 FLUORESCENT LIGHT FIXTURES,
 SEE SPEC. THIS PAGE
 1 3/4" THK. LOCKABLE WOOD FRAMED
 DOOR FIN. NO. (30) W/ 3/8" (10mm)
 THK. CLEAR TEMPERED GLASS INSERT
 W/ RICHELIEU HANDLE #458160195,
 SEE THIS PAGE FOR ADDITIONAL
 HARDWARE SPECS.
 DOTTED LINES OF FASCIA SIGN BAND
 ABOVE FIN. NO. (08)
 1/4" SQ. METAL RAIL FIN. NO. (55)
 ADJUSTABLE SHELF W/ HARDWOOD
 TICKET MOULDING FIN. NO. (30) &
 P. LAM. FIN. NO. (02A)
 PROVIDE BLOCKING AS REQ'D.
 HARDWOOD CAP FIN. NO. (30)
 CONTINUOUS PIANO HINGE (BRUSHED
 NICKEL). SEE SPEC. THIS PAGE



HARDWARE SPECIFICATIONS:
 ADAM RITE DEADLOCK #ARMS1850S410628
 MORTISE CYLINDER #LSM1002SCC26D
 1" C/W (2) KEYS CLEAR ANODIZED ALUMINUM FINISH
 STRIKE FOR HOOK BOLT #ARMS4001031628
 SPACER RING #IL861F2810 - 1/4" THK.
 CLEAR ANODIZED ALUMINUM
 NOTE: LOCK CYLINDER TO BE SUPPLIED & INSTALLED BY LCBO,
 FITUP BY G.C.
 3" .060 GA 8FT LONG CONTINUOUS
 PIANO HINGE BY RICHELIEU
 MODEL: #76096180 (BRUSHED NICKEL FINISH)
 DOOR PULL BY RICHELIEU
 MODEL: #458160195 (BRUSHED NICKEL FINISH)

LCBO	200 GENERAL LIST	REVISION DATE	REV.	1 of 3	ISSUE DATE	STORE TYPE	STORE #
	4'-0" WHISKY WALL FIXTURE	2017 NOV	15	F205	2021 APR		

NOTE:
SOLID WOOD GRADE TO BE FAS

NOTE:
LOCKS FOR F204, F205, F255, F256, F268, F269, F270, F276, F277, F278, F305, F307, F331, F333, F358, F359, F360, F361, F407, F415 AND F416 TO BE KEYED ALIKE

DOTTED LINES OF RECESSED CANOPY BEYOND

P. LAM. FASCIA PANEL FIN. NO. (05)

DOTTED LINES OF RECESSED L.E.D. POTLIGHT BEYOND SUPPLIED + INSTALLED BY MILLWORK CONTRACTOR, FINAL CONNECTIONS BY GC.

3/4" THK. PARTICLE BOARD SIGN BAND FIN. NO. (08) W/ HARDWOOD EDGES FIN. NO. (30) & CONCEALED FLUORESCENT LIGHTING, SEE DETAIL '12' DWG. F205

1 3/4" THK. LOCKABLE WOOD FRAMED DOOR FIN. NO. (30) W/ 3/8" (10mm) THK. CLEAR TEMPERED GLASS INSERT W/ RICHELIEU HANDLE #458160195, SEE THIS PAGE FOR ADDITIONAL HARDWARE SPECS.

DOTTED LINE OF CONTINUOUS PIANO HINGE (BRUSHED NICKEL). SEE THIS PAGE FOR SPEC.

SUNK SLIDE ACTION FLUSH BOLT W/ SLIDE (TOP & BOTTOM) BY HAFELE #911.62.335 (OR APPROVED EQUAL)

ADJ. P. LAM. SHELF FIN. NO. (02A) W/ STRAIGHT HARDWOOD TICKET MOULDING FIN. NO. (30) & 1/4" SQ. METAL RAIL AT BACK OF SHELF FIN. NO. (55)

ADJ. P. LAM. SHELVES FIN. NO. (02A) W/ ANGLED HARDWOOD TICKET MOULDING FIN. NO. (30) & 1/4" SQ. METAL RAIL AT BACK OF SHELF FIN. NO. (55)

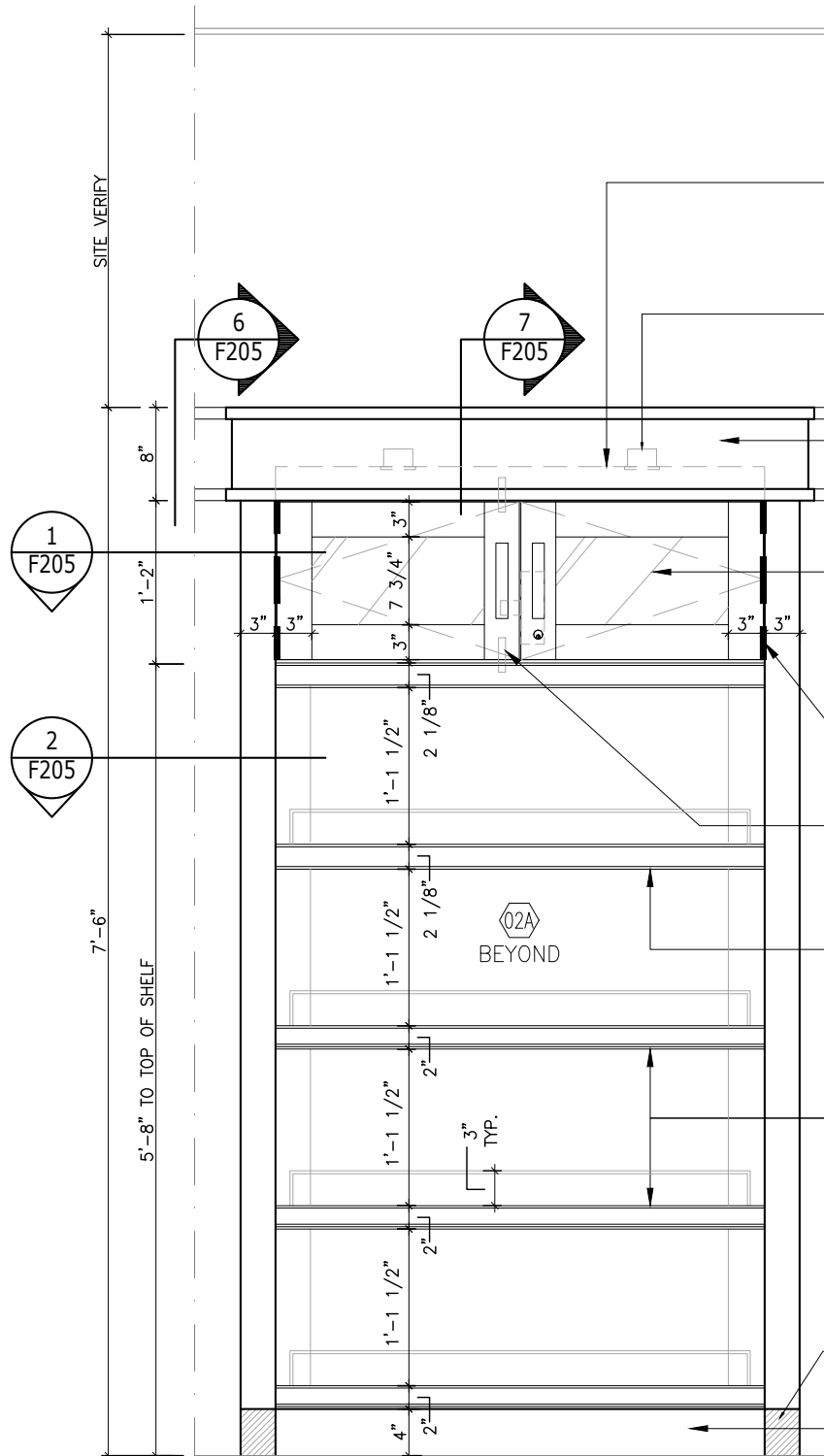
TYP. PERIMETER METAL SHELVING UNIT, ITEM NO. F201 & F202

4" HIGH METAL CORNER GUARD FIN. NO. (55)

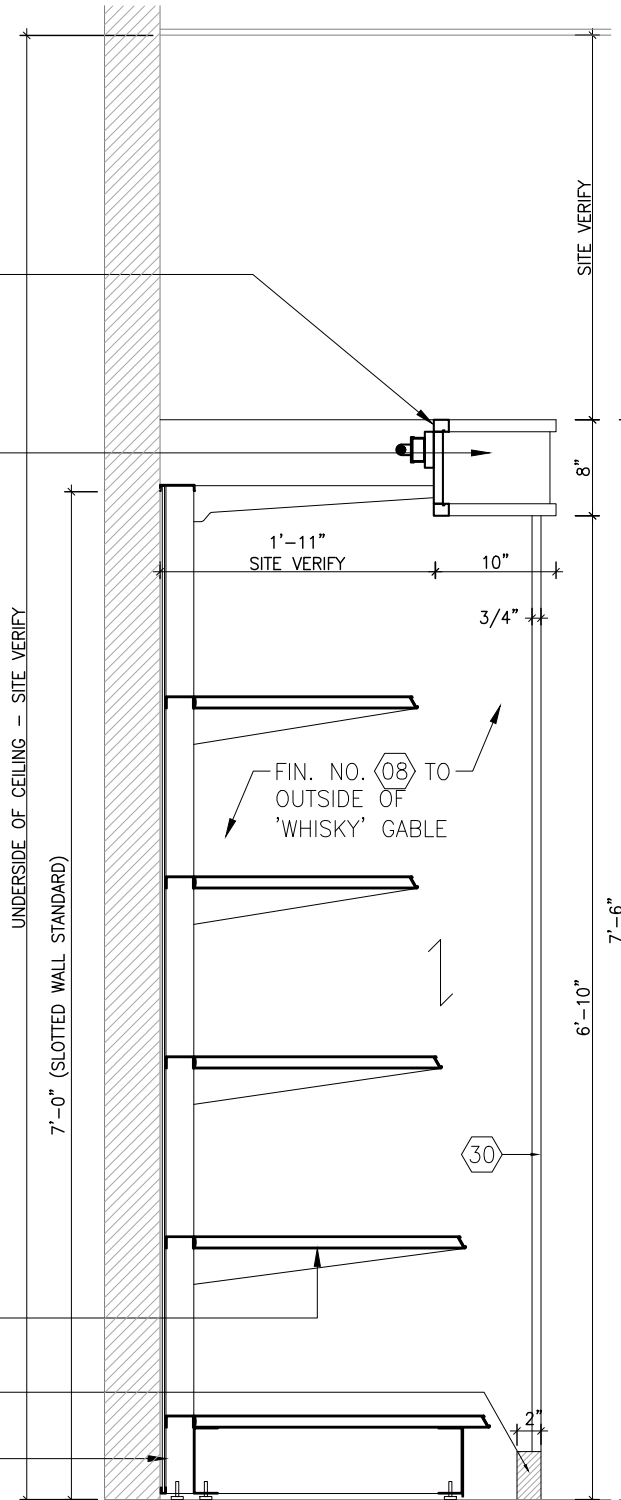
RECESSED BASE P. LAM. FIN. NO. (04)

2 3/4" X 1 1/2" X 7'-0" H. HEAVY DUTY SLOTTED METAL BY VIC SHELVING OR EQUAL

NOTE:
MILLWORK CONTRACTOR TO ENSURE THAT FIXTURE IS CONSTRUCTED SO THAT LIGHT FIXTURES CAN BE SERVICED AND/OR REMOVED WITHOUT DISMANTLING MILLWORK



5 ELEVATION
F205 3/4" = 1'-0"



6 SECTIONAL-ELEVATION
F205 3/4" = 1'-0"

GENERAL NOTES:

ALL VERTICAL SURFACES ON THE INTERIOR OF THE 'WHISKY' MILLWORK DETAILS (GABLES, BACK PANELS, AND DIVIDERS) ARE TO BE CONSTRUCTED OF PREFINISHED PARTICLE BOARD PANELS W/ MELAMINE FIN. NO. (02A) BOTH SIDES. MILLWORK CONTRACTOR TO PROVIDE HARDWOOD EDGE IN FIN. NO. (30) TO ALL EXPOSED EDGES.

NOTE:

MILLWORK CONTRACTOR TO PROVIDE (1) COAT OF URETHANE SEALER AND (2) TOP COATS OF SATIN LACQUER TO FIN. NO. (30)

MILLWORK CONTRACTOR TO ENSURE THAT ALL SHELVES ARE IN EXACT ALIGNMENT WITH ADJACENT PERIMETER SHELVING.

T5 FLUORESCENT LIGHT FIXTURES:

PROVIDE 12 @ 12" LENGTH AS SHOWN WITHIN MILLWORK.

T5 FLUORESCENT LIGHT FIXTURES BY RICHELIEU:

MODEL#: 79992314
LENGTH=12"
OUTPUT=14 WATTS
COLOUR TEMP. 3000°K
DURATION: 20,000 HRS

RECESSED MINI L.E.D. POTLIGHT BY: JUNO LIGHTING GROUP

MINI LED GIMBAL - 3000°K
#MG1LG2-3K-NFL-SN (SATIN NICKEL)

*ALL L.E.D. LIGHTING AND ASSOCIATED COMPONENTS TO BE SUPPLIED & INSTALLED BY MILLWORK CONTRACTOR, FINAL CONNECTION BY G.C.'S ELECTRICAL SUBTRADE. ENSURE ALL WIRING/DRIVERS ARE CONCEALED FROM CUSTOMER'S VIEW.

HARDWARE SPECIFICATIONS:

ADAM RITE DEADLOCK #ARMS1850S410628
MORTISE CYLINDER #LSM1002SCC26D
1" C/W (2) KEYS CLEAR ANODIZED ALUMINUM FINISH
STRIKE FOR HOOK BOLT #ARMS4001031628
SPACER RING #IL861F2810 - 1/4" THK.
CLEAR ANODIZED ALUMINUM

NOTE: LOCK CYLINDER TO BE SUPPLIED & INSTALLED BY LCBO, FITUP BY G.C.

3" .060 GA 16" LONG CONTINUOUS PIANO HINGE BY RICHELIEU
MODEL: #76096180 (BRUSHED NICKEL FINISH)

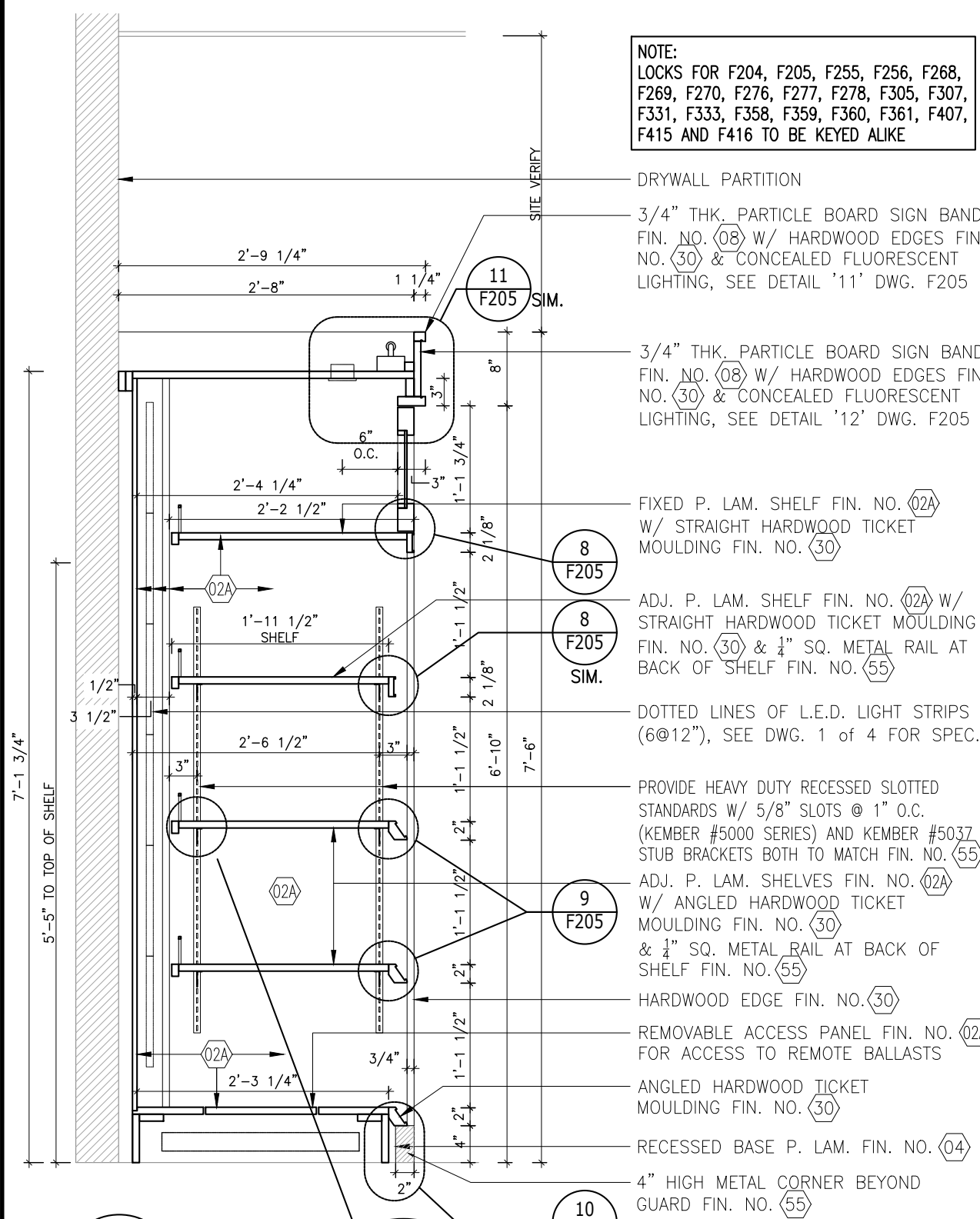
DOOR PULL BY RICHELIEU
MODEL: #458160195 (BRUSHED NICKEL FINISH)

LCBO

200 GENERAL LIST

4'-0" WHISKY WALL FIXTURE

REVISION DATE	REV.	2 of 3	ISSUE DATE	STORE TYPE	STORE #
2017 NOV	15	F205	2021 APR		



NOTE:
 LOCKS FOR F204, F205, F255, F256, F268, F269, F270, F276, F277, F278, F305, F307, F331, F333, F358, F359, F360, F361, F407, F415 AND F416 TO BE KEYED ALIKE

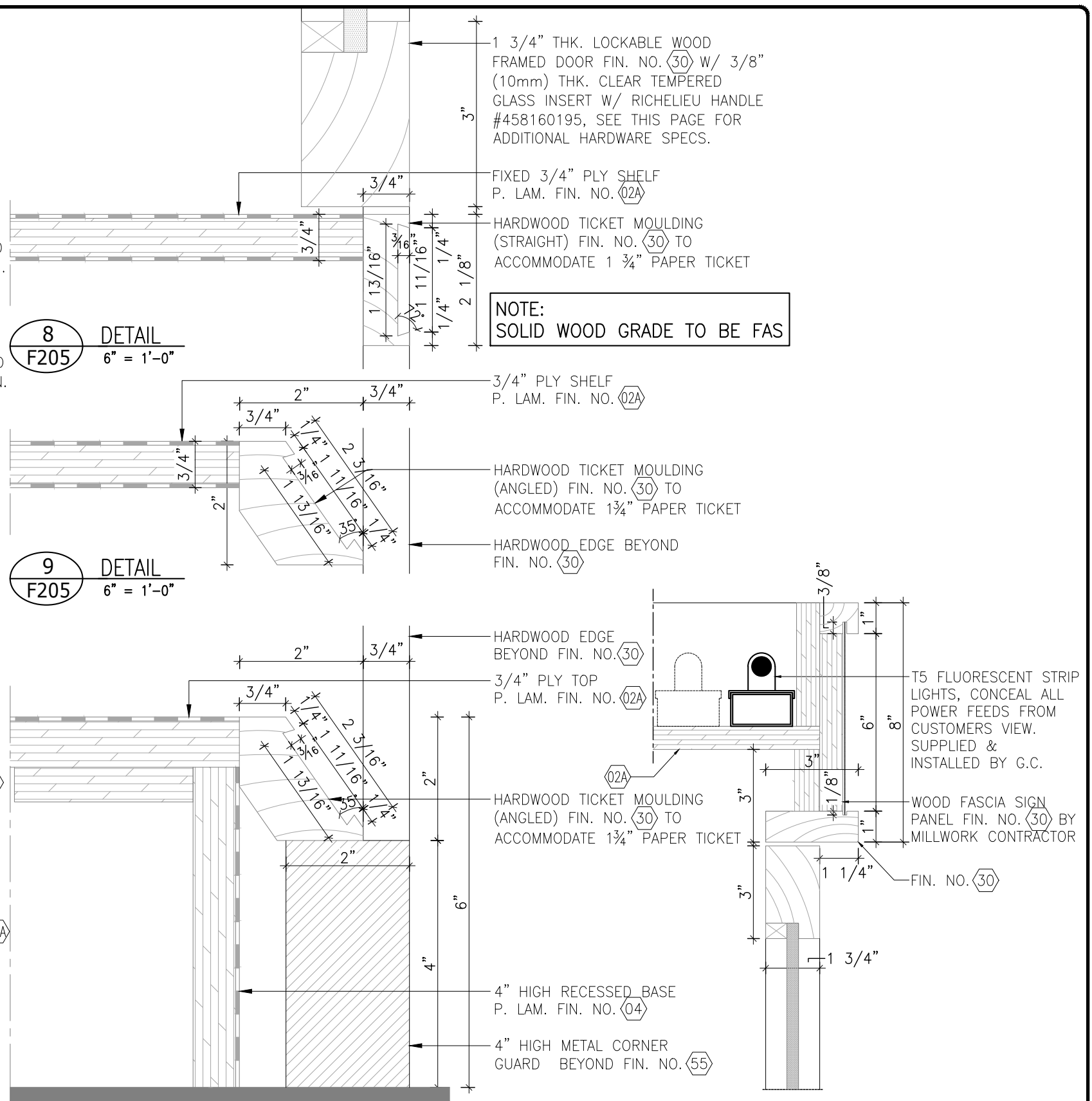
NOTE:
 MILLWORK CONTRACTOR TO ENSURE THAT FIXTURE IS CONSTRUCTED SO THAT LIGHT FIXTURES CAN BE SERVICED AND/OR REMOVED WITHOUT DISMANTLING MILLWORK

8 F205 DETAIL
 6" = 1'-0"

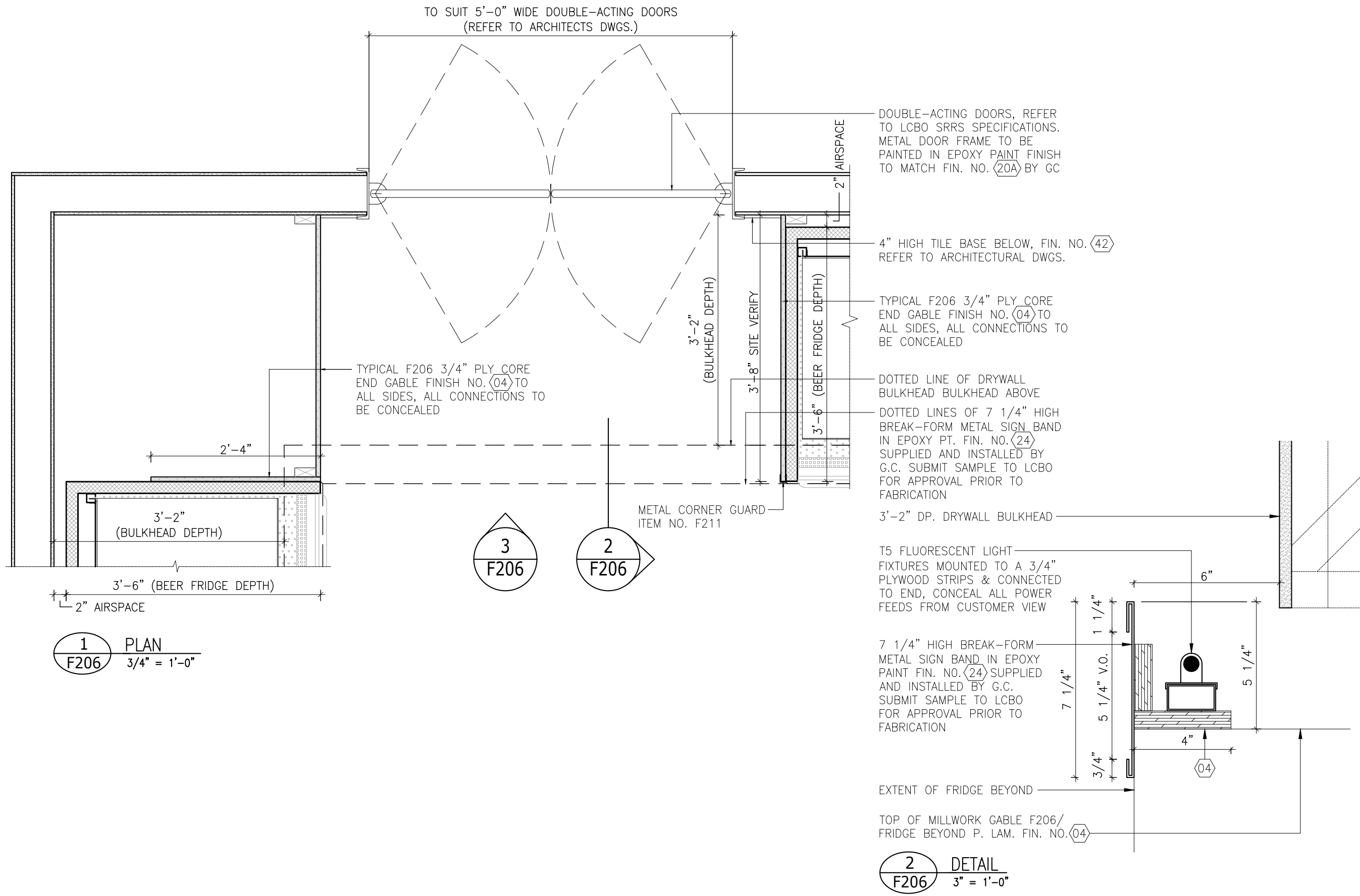
9 F205 DETAIL
 6" = 1'-0"

10 F205 DETAIL
 6" = 1'-0"

11 F205 DETAIL
 3" = 1'-0"



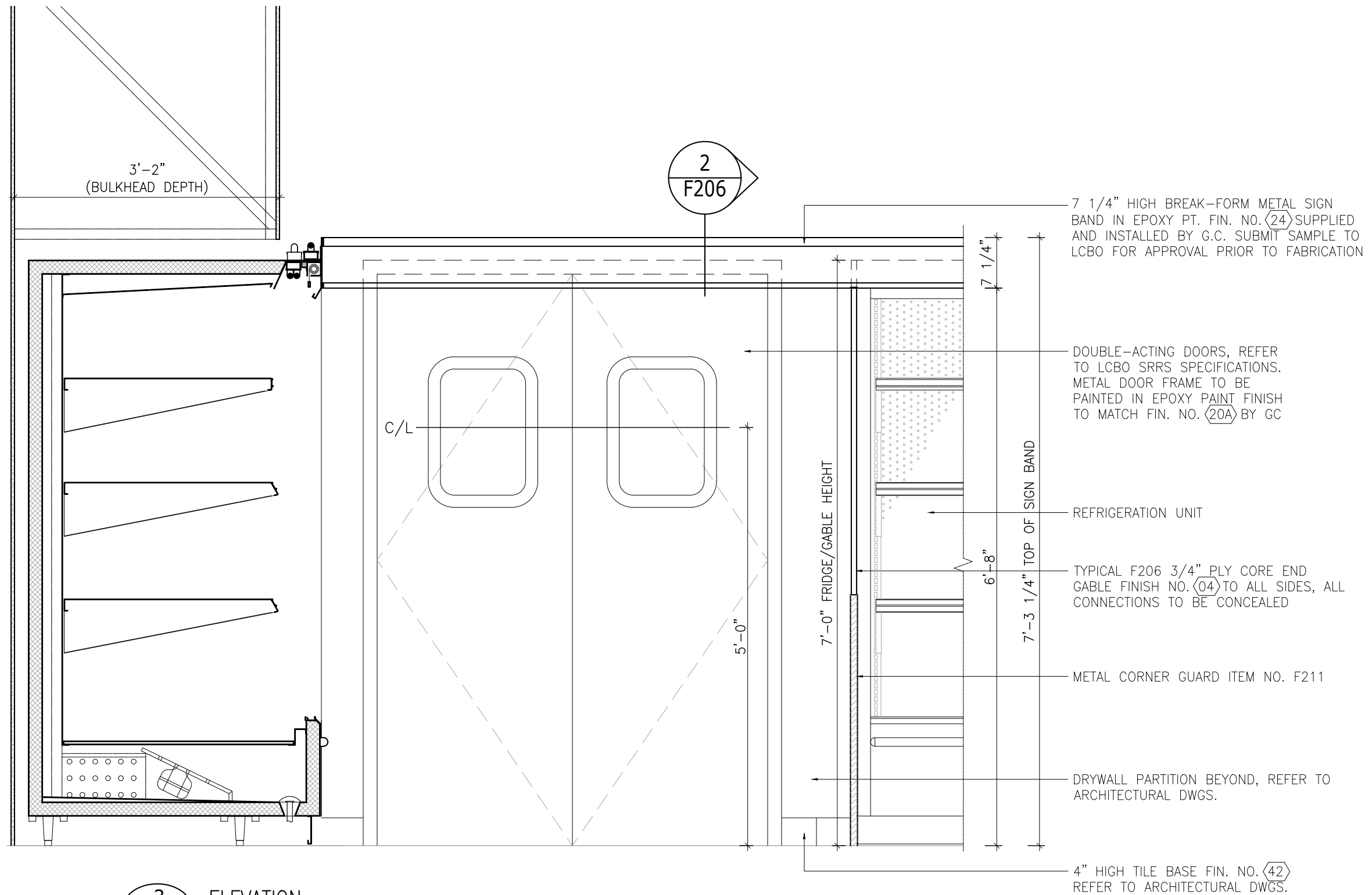
LCBO	200 GENERAL LIST	REVISION DATE	REV.	3 of 3	ISSUE DATE	STORE TYPE	STORE #
	4'-0" WHISKY WALL FIXTURE	2017 NOV	15	F205	2021 APR		



1 PLAN
F206 3/4" = 1'-0"

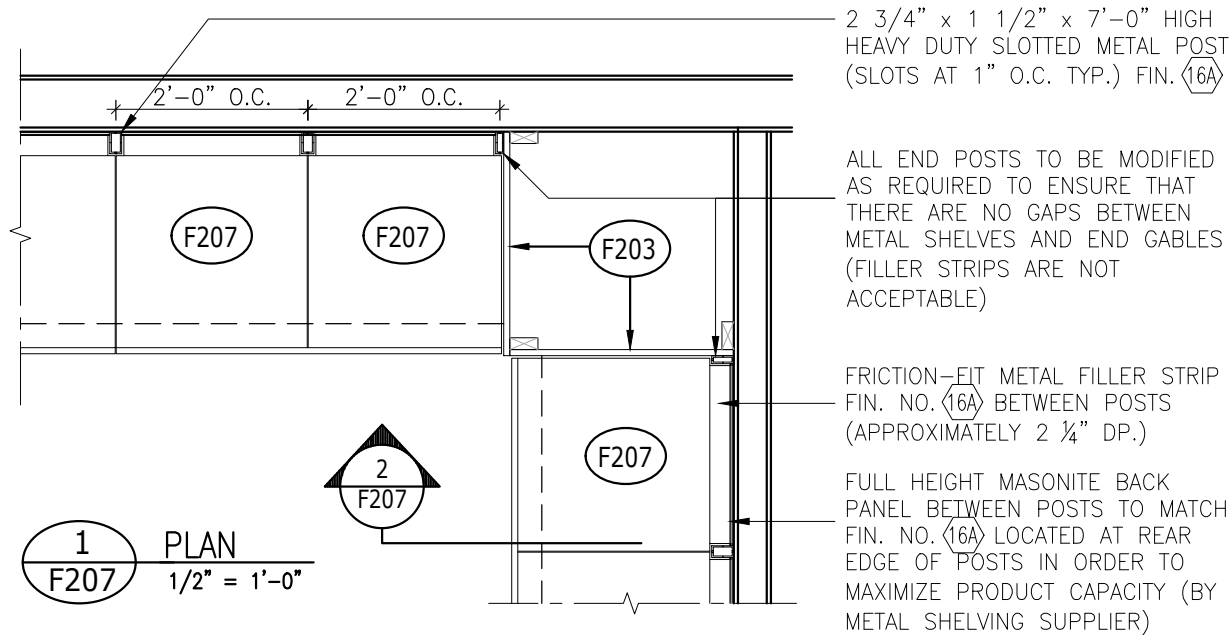
2 DETAIL
F206 3" = 1'-0"

LCBO	200 GENERAL LIST	REVISION DATE	REV.	1 of 2	ISSUE DATE	STORE TYPE	STORE #
	REFRIGERATION GABLE/FILLER PANEL	2019 APR	16	F206	2021 APR		



3 ELEVATION
F206 3/4" = 1'-0"

LCBO	200 GENERAL LIST	REVISION DATE	REV.	2 of 2	ISSUE DATE	STORE TYPE	STORE #
	REFRIGERATION GABLE/FILLER PANEL	2019 APR	16	F206	2021 APR		



1 PLAN
F207
1/2" = 1'-0"

2 3/4" x 1 1/2" x 7'-0" HIGH HEAVY DUTY SLOTTED METAL POST (SLOTS AT 1" O.C. TYP.) FIN. (16A)

ALL END POSTS TO BE MODIFIED AS REQUIRED TO ENSURE THAT THERE ARE NO GAPS BETWEEN METAL SHELVES AND END GABLES (FILLER STRIPS ARE NOT ACCEPTABLE)

FRICION-FIT METAL FILLER STRIP FIN. NO. (16A) BETWEEN POSTS (APPROXIMATELY 2 1/4" DP.)

FULL HEIGHT MASONITE BACK PANEL BETWEEN POSTS TO MATCH FIN. NO. (16A) LOCATED AT REAR EDGE OF POSTS IN ORDER TO MAXIMIZE PRODUCT CAPACITY (BY METAL SHELVING SUPPLIER)

NOTE: MILLWORK CONTRACTOR TO ENSURE THAT WOOD SIGN BAND IS TRUE AND LEVEL

NOTE: ALL 1" METAL TICKET HOLDERS TO RECEIVE 1 3/4" PLASTIC TICKET HOLDER INSERT (SUPPLIED & INSTALLED BY METAL SHELVING SUPPLIER) TO SPAN LENGTH OF SHELF SECTION

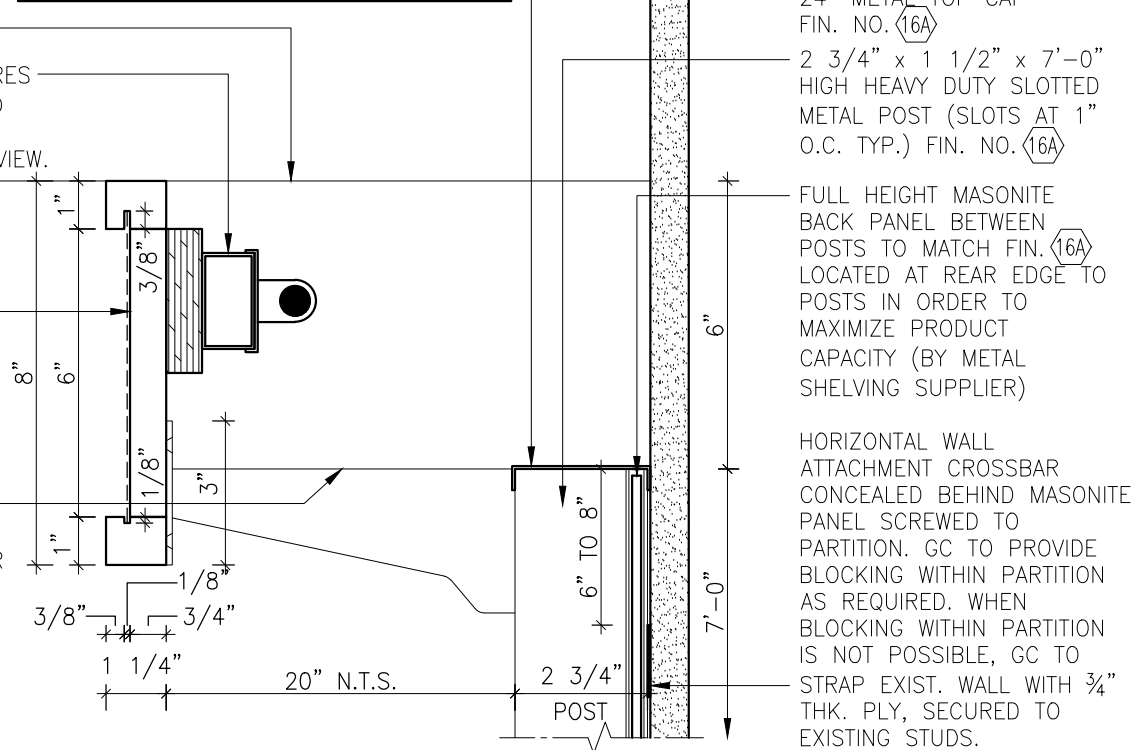
LINE OF F203 GABLE BEYOND

T5 FLUORESCENT LIGHT FIXTURES MOUNTED TO A 3/4" PLYWOOD STRIP. ALL POWER FEEDS CONCEALED FROM CUSTOMER VIEW.

P.LAM FASCIA SIGN PANEL FIN. NO. (05) SUPPLIED AND INSTALLED BY MILLWORK CONTRACTOR WITH AS FEW SEAMS AS POSSIBLE (i.e. MINIMUM 8'-0" LENGTHS EXCEPT AT END RUNS AS REQ'D.

20" METAL BRACKET W/ WELDED 3" X 3" METAL FLANGE BY SHELVING SUPPLIER ALL IN FIN. NO. (16A)

3 DETAIL
F207
3" = 1'-0"

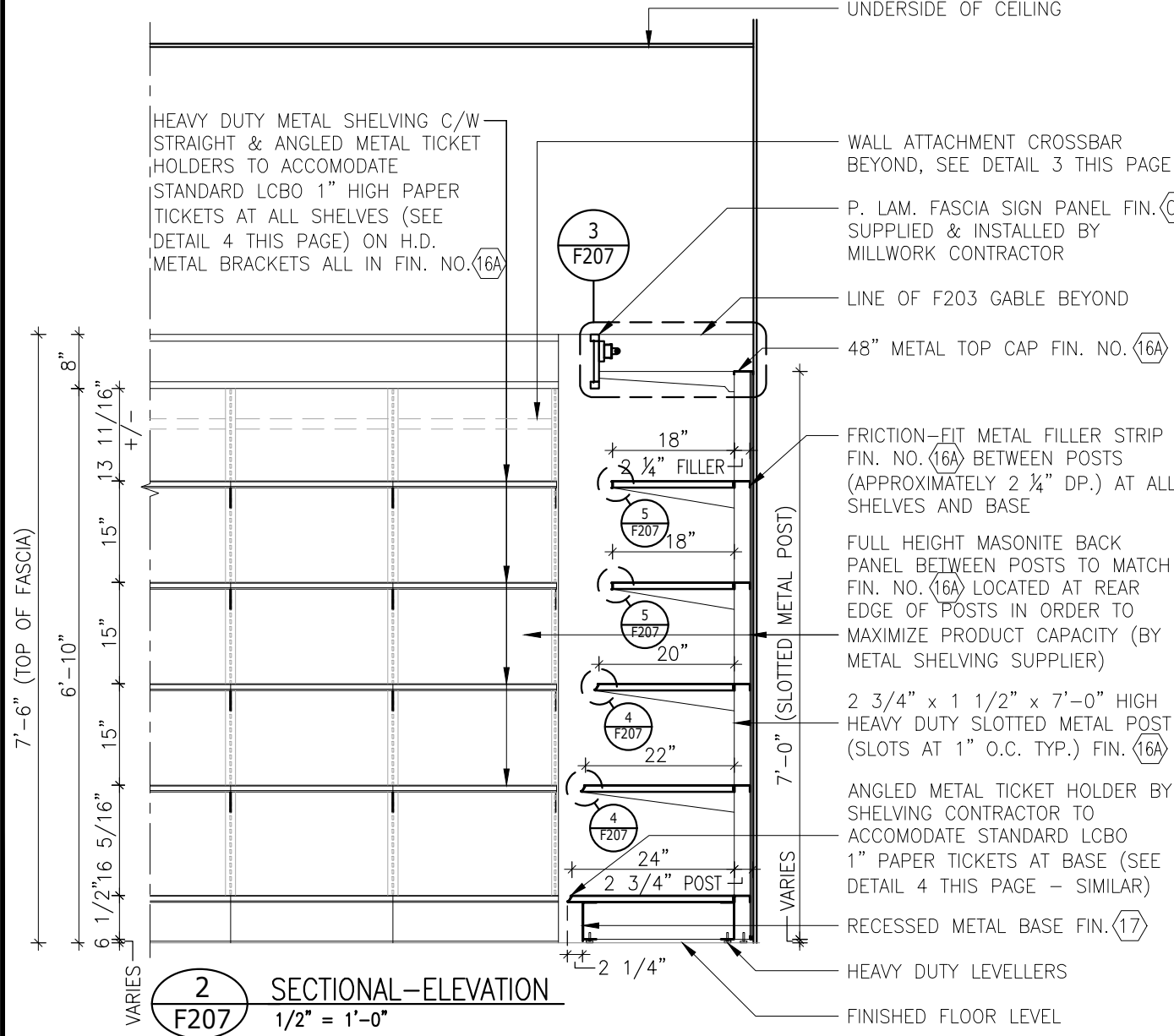


24" METAL TOP CAP FIN. NO. (16A)

2 3/4" x 1 1/2" x 7'-0" HIGH HEAVY DUTY SLOTTED METAL POST (SLOTS AT 1" O.C. TYP.) FIN. NO. (16A)

FULL HEIGHT MASONITE BACK PANEL BETWEEN POSTS TO MATCH FIN. NO. (16A) LOCATED AT REAR EDGE OF POSTS IN ORDER TO MAXIMIZE PRODUCT CAPACITY (BY METAL SHELVING SUPPLIER)

HORIZONTAL WALL ATTACHMENT CROSSBAR CONCEALED BEHIND MASONITE PANEL SCREWED TO PARTITION. GC TO PROVIDE BLOCKING WITHIN PARTITION AS REQUIRED. WHEN BLOCKING WITHIN PARTITION IS NOT POSSIBLE, GC TO STRAP EXIST. WALL WITH 3/4" THK. PLY, SECURED TO EXISTING STUDS.



2 SECTIONAL-ELEVATION
F207
1/2" = 1'-0"

UNDERSIDE OF CEILING

HEAVY DUTY METAL SHELVING C/W STRAIGHT & ANGLED METAL TICKET HOLDERS TO ACCOMODATE STANDARD LCBO 1" HIGH PAPER TICKETS AT ALL SHELVES (SEE DETAIL 4 THIS PAGE) ON H.D. METAL BRACKETS ALL IN FIN. NO. (16A)

WALL ATTACHMENT CROSSBAR BEYOND, SEE DETAIL 3 THIS PAGE

P. LAM. FASCIA SIGN PANEL FIN. (05) SUPPLIED & INSTALLED BY MILLWORK CONTRACTOR

LINE OF F203 GABLE BEYOND

48" METAL TOP CAP FIN. NO. (16A)

FRICION-FIT METAL FILLER STRIP FIN. NO. (16A) BETWEEN POSTS (APPROXIMATELY 2 1/4" DP.) AT ALL SHELVES AND BASE

FULL HEIGHT MASONITE BACK PANEL BETWEEN POSTS TO MATCH FIN. NO. (16A) LOCATED AT REAR EDGE OF POSTS IN ORDER TO MAXIMIZE PRODUCT CAPACITY (BY METAL SHELVING SUPPLIER)

2 3/4" x 1 1/2" x 7'-0" HIGH HEAVY DUTY SLOTTED METAL POST (SLOTS AT 1" O.C. TYP.) FIN. (16A)

ANGLED METAL TICKET HOLDER BY SHELVING CONTRACTOR TO ACCOMODATE STANDARD LCBO 1" PAPER TICKETS AT BASE (SEE DETAIL 4 THIS PAGE - SIMILAR)

RECESSED METAL BASE FIN. (17)

HEAVY DUTY LEVELLERS

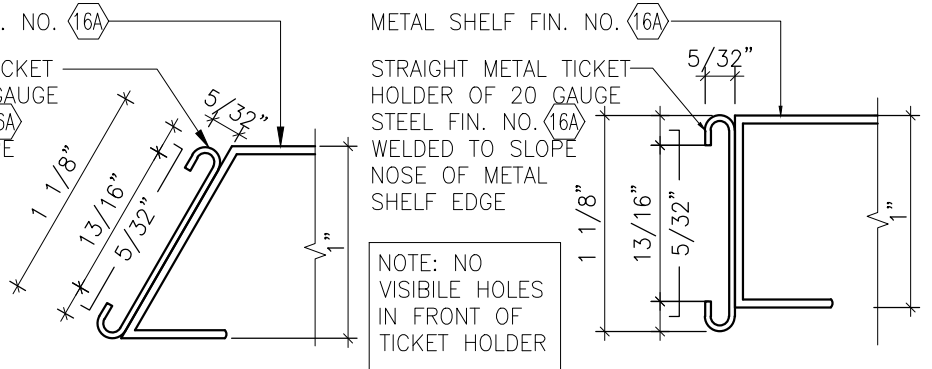
FINISHED FLOOR LEVEL

METAL SHELF FIN. NO. (16A)

ANGLED METAL TICKET HOLDER OF 20 GAUGE STEEL FIN. NO. (16A) WELDED TO SLOPE NOSE OF METAL SHELF EDGE

NOTE: NO VISIBLE HOLES IN FRONT OF TICKET HOLDER

4 ANGLED METAL TICKET HOLDER DETAIL
F207
FULL SCALE



METAL SHELF FIN. NO. (16A)

STRAIGHT METAL TICKET HOLDER OF 20 GAUGE STEEL FIN. NO. (16A) WELDED TO SLOPE NOSE OF METAL SHELF EDGE

NOTE: NO VISIBLE HOLES IN FRONT OF TICKET HOLDER

5 STRAIGHT METAL TICKET HOLDER DETAIL
F207
FULL SCALE

- GENERAL NOTES
- DIMENSIONS SHOWN REFLECT SHELF & BASE DIMENSIONS ONLY & DO NOT TAKE METAL TICKET HOLDERS INTO ACCOUNT
 - ALL ADJUSTMENTS TO COMPENSATE FOR NON-LEVEL FLOOR SURFACES TO BE MADE AT BOTTOM END OF POST
 - GC TO CO-ORDINATE MILLWORK + METAL SHELF INSTALLATION
 - T5 FLUORESCENT LIGHT FIXTURES TO BE SUPPLIED & INSTALLED BY G.C.
 - GC RESPONSIBLE FOR INSTALLATION OF WALL STRAPPING AS REQ'D.
 - MILLWORK CONTRACTOR TO OBTAIN SIGNAGE SAMPLE FROM LCBO PRIOR TO FABRICATION TO ENSURE PROPER FIT OF SIGNAGE INSERT
 - SHELVING SUPPLIER TO OBTAIN 1" HIGH PAPER TICKET SAMPLE FROM LCBO PRIOR TO FABRICATION TO ENSURE PROPER FIT WITHIN TICKET MOULDING. SUBMIT SAMPLE FOR APPROVAL
 - GC TO ENSURE ALL SHELVES ARE IN EXACT ALIGNMENT AND ARE TRUE & LEVEL. PERFORATED SHELVES ARE ACCEPTABLE. SHELVES TO SUPPORT LOAD CAPACITY OF 500LBS
 - ALL END POSTS TO BE MODIFIED AS REQUIRED TO ENSURE THAT THERE ARE NO GAPS BETWEEN METAL SHELVES AND END GABLES (FILLER STRIPS ARE NOT ACCEPTABLE)

GENERAL NOTES

ALL DIMENSIONS INDICATED FROM FINISH FLOOR ARE TAKEN FROM THE HIGHEST FINISHED FLOOR ELEVATION OF THAT FLOOR SYSTEM

ALL ADJUSTMENTS TO COMPENSATE FOR NON-LEVEL FLOOR SURFACES TO BE MADE AT BOTTOM END OF POST

G.C. TO CO-ORDINATE MILLWORK + METAL SHELF INSTALLATION

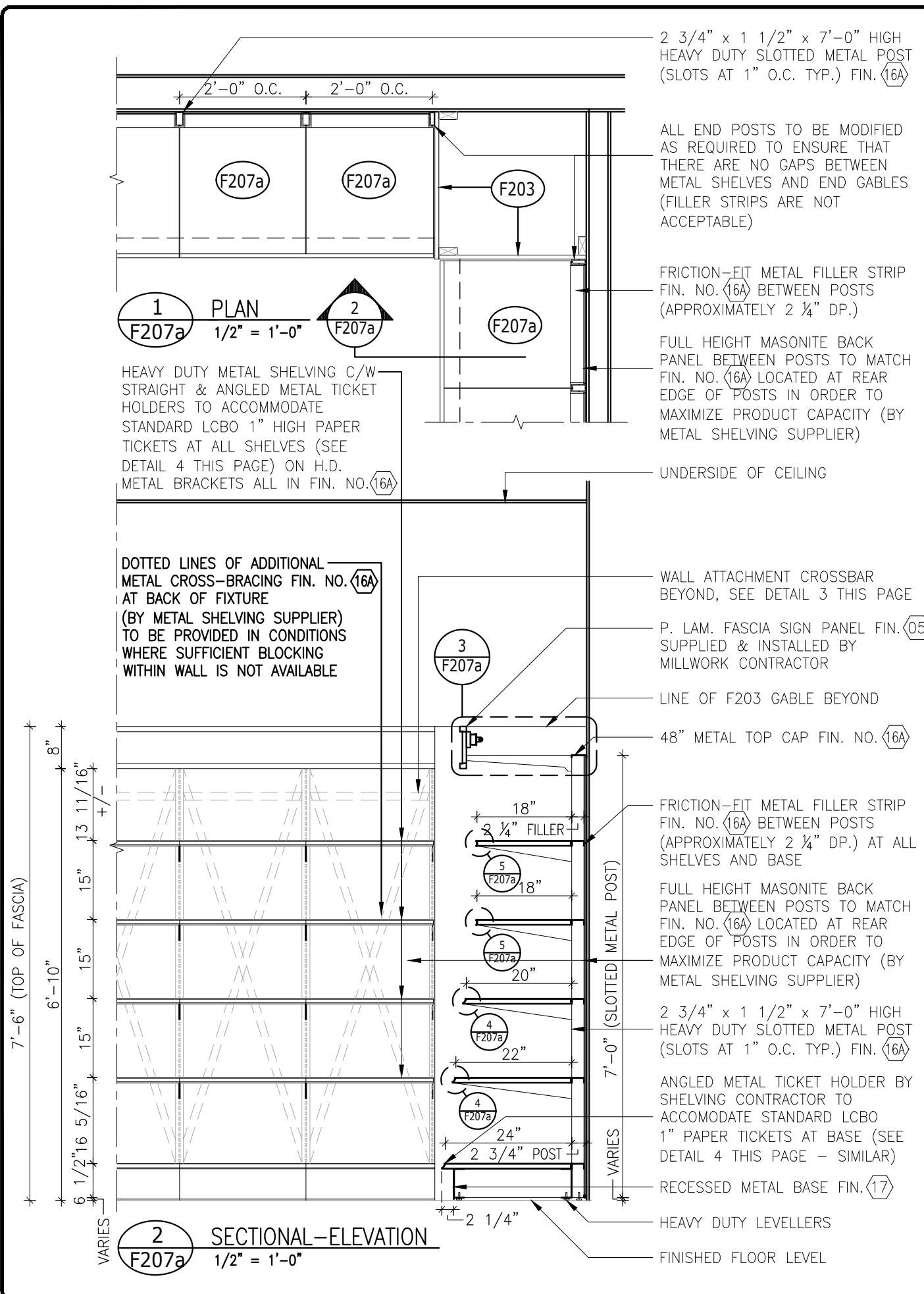
SHELVING SUPPLIER RESPONSIBLE FOR INSTALLATION OF WALL STRAPPING AS REQUIRED

MILLWORK CONTRACTOR TO OBTAIN SIGNAGE SAMPLE FROM LCBO PRIOR TO FABRICATION TO ENSURE PROPER FIT OF SIGNAGE INSERT

SHELVES TO SUPPORT LOAD CAPACITY OF 500LBS

ALL END POSTS TO BE MODIFIED AS REQUIRED TO ENSURE THAT THERE ARE NO GAPS BETWEEN METAL SHELVES AND END GABLES (FILLER STRIPS ARE NOT ACCEPTABLE)

LCBO	200 GENERAL LIST	REVISION DATE	REV.	1 of 1	ISSUE DATE	STORE TYPE	STORE #
	24" PERIM. MET. SHELVING UNIT W/ FASCIA & MET. TICKET MOULD.	2021 mar.	17	F207	2021 APR		



2 3/4" x 1 1/2" x 7'-0" HIGH HEAVY DUTY SLOTTED METAL POST (SLOTS AT 1" O.C. TYP.) FIN. (16A)

ALL END POSTS TO BE MODIFIED AS REQUIRED TO ENSURE THAT THERE ARE NO GAPS BETWEEN METAL SHELVES AND END GABLES (FILLER STRIPS ARE NOT ACCEPTABLE)

FRICION-FIT METAL FILLER STRIP FIN. NO. (16A) BETWEEN POSTS (APPROXIMATELY 2 1/4" DP.)

FULL HEIGHT MASONITE BACK PANEL BETWEEN POSTS TO MATCH FIN. NO. (16A) LOCATED AT REAR EDGE OF POSTS IN ORDER TO MAXIMIZE PRODUCT CAPACITY (BY METAL SHELVING SUPPLIER)

UNDERSIDE OF CEILING

WALL ATTACHMENT CROSSBAR BEYOND, SEE DETAIL 3 THIS PAGE

P. LAM. FASCIA SIGN PANEL FIN. (05) SUPPLIED & INSTALLED BY MILLWORK CONTRACTOR

LINE OF F203 GABLE BEYOND

48" METAL TOP CAP FIN. NO. (16A)

FRICION-FIT METAL FILLER STRIP FIN. NO. (16A) BETWEEN POSTS (APPROXIMATELY 2 1/4" DP.) AT ALL SHELVES AND BASE

FULL HEIGHT MASONITE BACK PANEL BETWEEN POSTS TO MATCH FIN. NO. (16A) LOCATED AT REAR EDGE OF POSTS IN ORDER TO MAXIMIZE PRODUCT CAPACITY (BY METAL SHELVING SUPPLIER)

2 3/4" x 1 1/2" x 7'-0" HIGH HEAVY DUTY SLOTTED METAL POST (SLOTS AT 1" O.C. TYP.) FIN. (16A)

ANGLED METAL TICKET HOLDER BY SHELVING CONTRACTOR TO ACCOMODATE STANDARD LCBO 1" PAPER TICKETS AT BASE (SEE DETAIL 4 THIS PAGE - SIMILAR)

RECESSED METAL BASE FIN. (17)

HEAVY DUTY LEVELLERS

FINISHED FLOOR LEVEL

1 PLAN
1/2" = 1'-0"

2 SECTIONAL-ELEVATION
1/2" = 1'-0"

NOTE: MILLWORK CONTRACTOR TO ENSURE THAT WOOD SIGN BAND IS TRUE AND LEVEL

NOTE: ALL 1" METAL TICKET HOLDERS TO RECEIVE 1 3/4" PLASTIC TICKET HOLDER INSERT (SUPPLIED & INSTALLED BY METAL SHELVING SUPPLIER) TO SPAN LENGTH OF SHELF SECTION

LINE OF F203 GABLE BEYOND
T5 FLUORESCENT LIGHT FIXTURES MOUNTED TO A 3/4" PLYWOOD STRIP. ALL POWER FEEDS CONCEALED FROM CUSTOMER VIEW.

P.LAM FASCIA SIGN PANEL FIN. NO. (05) SUPPLIED AND INSTALLED BY MILLWORK CONTRACTOR WITH AS FEW SEAMS AS POSSIBLE (i.e. MINIMUM 8'-0" LENGTHS EXCEPT AT END RUNS AS REQ'D.

20" METAL BRACKET W/ WELDED 3" X 3" METAL FLANGE BY SHELVING SUPPLIER ALL IN FIN. NO. (16A)

3 DETAIL
3" = 1'-0"

METAL SHELF FIN. NO. (16A)
ANGLED METAL TICKET HOLDER OF 20 GAUGE STEEL FIN. NO. (16A) WELDED TO SLOPE NOSE OF METAL SHELF EDGE

NOTE: NO VISIBLE HOLES IN FRONT OF TICKET HOLDER

4 ANGLED METAL TICKET HOLDER DETAIL
FULL SCALE

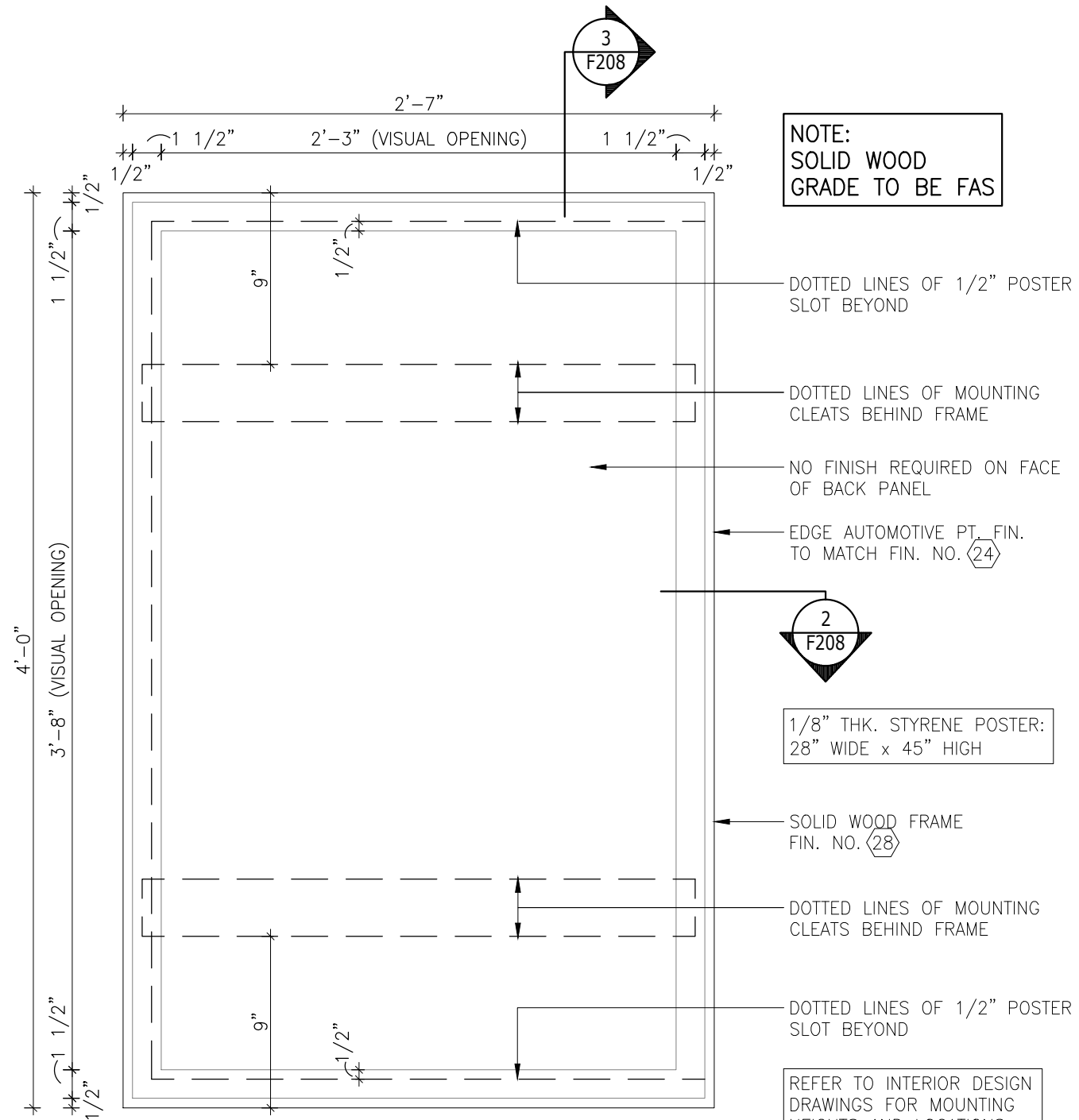
METAL SHELF FIN. NO. (16A)
STRAIGHT METAL TICKET HOLDER OF 20 GAUGE STEEL FIN. NO. (16A) WELDED TO SLOPE NOSE OF METAL SHELF EDGE

NOTE: NO VISIBLE HOLES IN FRONT OF TICKET HOLDER

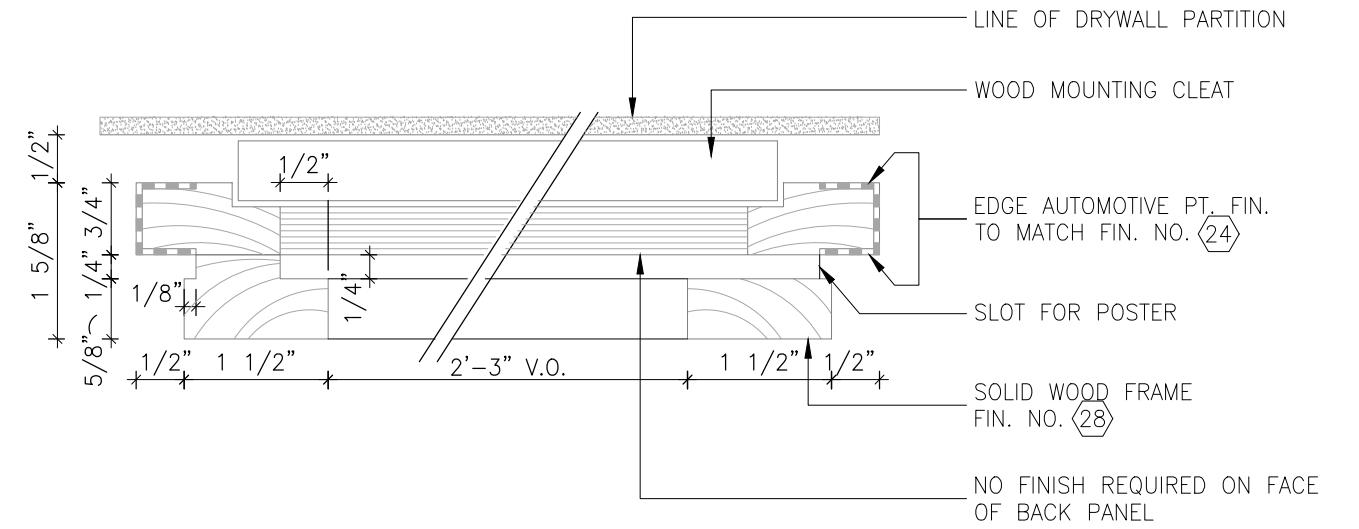
5 STRAIGHT METAL TICKET HOLDER DETAIL
FULL SCALE

GENERAL NOTES
ALL DIMENSIONS INDICATED FROM FINISH FLOOR ARE TAKEN FROM THE HIGHEST FINISHED FLOOR ELEVATION OF THAT FLOOR SYSTEM
ALL ADJUSTMENTS TO COMPENSATE FOR NON-LEVEL FLOOR SURFACES TO BE MADE AT BOTTOM END OF POST
G.C. TO CO-ORDINATE MILLWORK + METAL SHELF INSTALLATION
SHELVING SUPPLIER RESPONSIBLE FOR INSTALLATION OF WALL STRAPPING AS REQUIRED
MILLWORK CONTRACTOR TO OBTAIN SIGNAGE SAMPLE FROM LCBO PRIOR TO FABRICATION TO ENSURE PROPER FIT OF SIGNAGE INSERT
SHELVES TO SUPPORT LOAD CAPACITY OF 500LBS
ALL END POSTS TO BE MODIFIED AS REQUIRED TO ENSURE THAT THERE ARE NO GAPS BETWEEN METAL SHELVES AND END GABLES (FILLER STRIPS ARE NOT ACCEPTABLE)

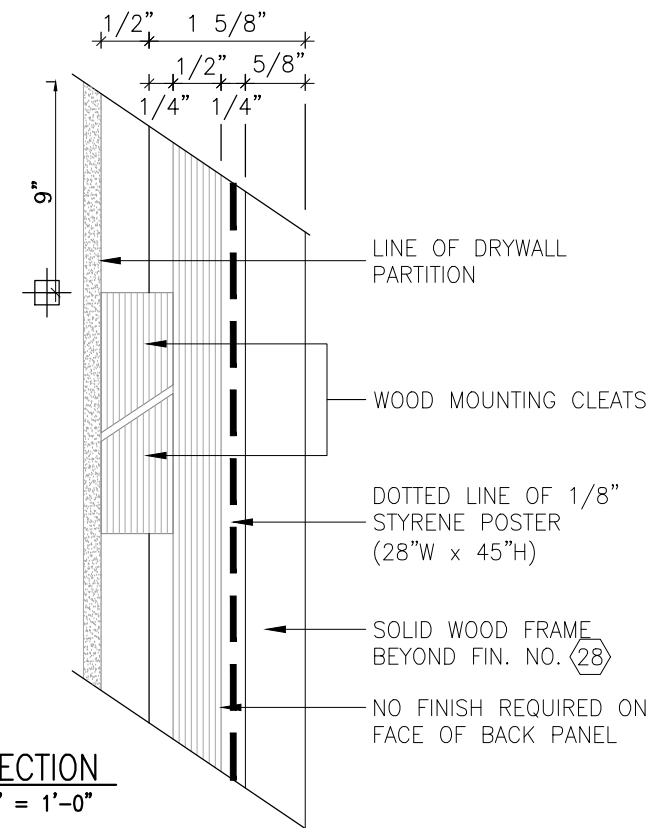
LCBO	200 GENERAL LIST	REVISION DATE	REV.	1 of 1	ISSUE DATE	STORE TYPE	STORE #
	24" PERIM. MET. SHELVING UNIT w/ FASCIA, MET. TICKET MOULD. & METAL CROSS BRACING	2021 MAR.	17	F207a	2021 APR		



1
F208 ELEVATION
1 1/2" = 1'-0"

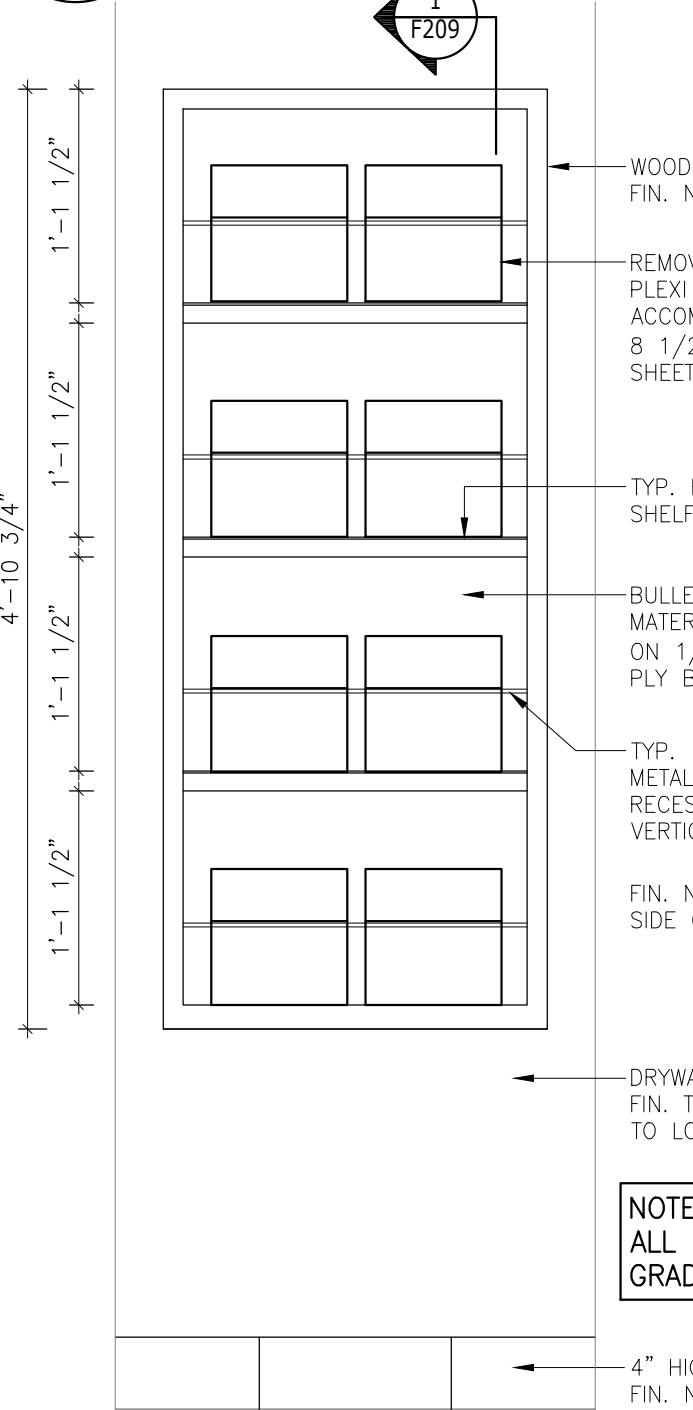
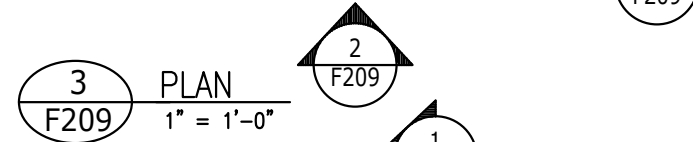
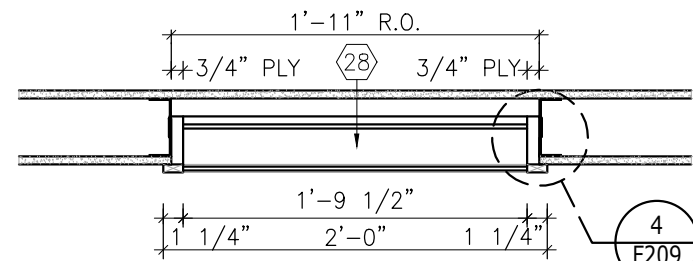


2
F208 PLAN-SECTION
6" = 1'-0"



3
F208 SECTION
6" = 1'-0"

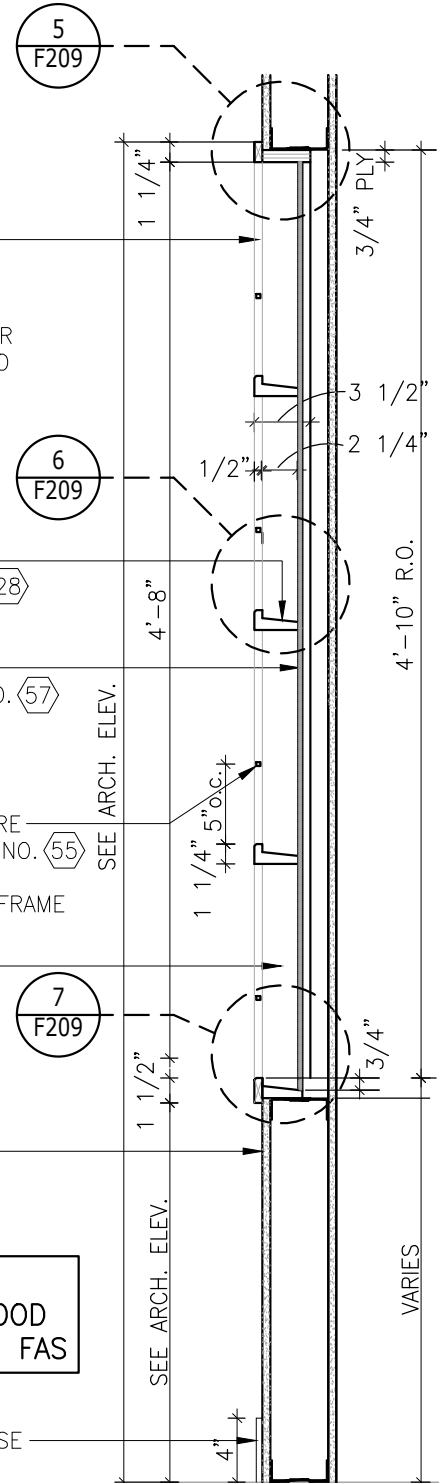
LCBO	200 GENERAL LIST	REVISION DATE	REV.	1 of 1	ISSUE DATE	STORE TYPE	STORE #
	TYPICAL P.O.P. FRAME DETAILS	2017 NOV	15	F208	2021 APR		



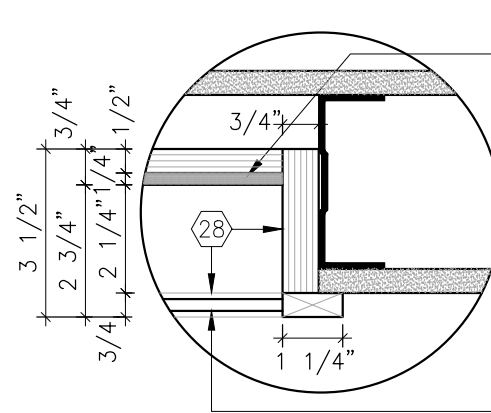
2
ELEVATION
F209 1" = 1'-0"

NOTE:
ALL SOLID WOOD
GRADE TO BE FAS

4" HIGH TILE BASE
FIN. NO. (42)



1
SECTION
F209 1" = 1'-0"



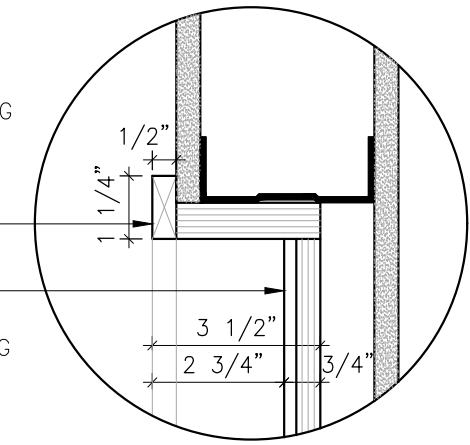
4
PLAN DETAIL
F209 3" = 1'-0"

BULLETIN BOARD
MATERIAL FIN. NO. (57)
ON 1/2" THICK PLY BACKING

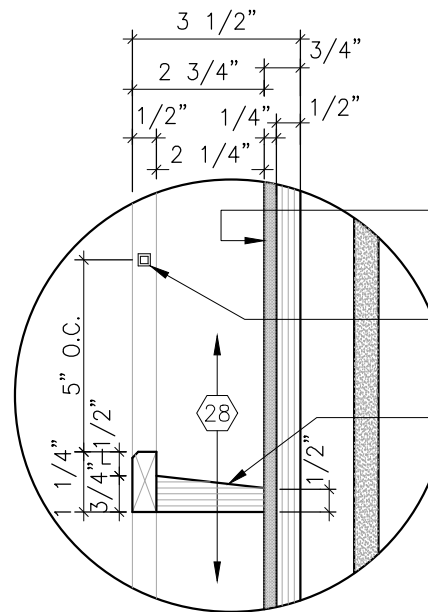
FIN. NO. (28)

BULLETIN BOARD
MATERIAL FIN. NO. (57)
ON 1/2" THICK PLY BACKING

TYP. 1/4" SQUARE METAL
RAIL FIN. NO. (55) RECESSED
INTO VERTICAL WOOD FRAME



5
SECTION DETAIL
F209 3" = 1'-0"

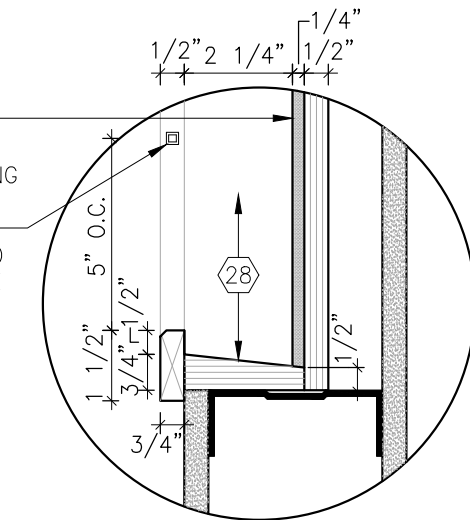


6
SECTION DETAIL
F209 3" = 1'-0"

BULLETIN BOARD
MATERIAL FIN. NO. (57)
ON 1/2" THICK PLY BACKING

TYP. 1/4" SQUARE METAL
RAIL FIN. NO. (55) RECESSED
INTO VERTICAL WOOD FRAME

FIXED SHELF FIN. NO. (28)



7
SECTION DETAIL
F209 3" = 1'-0"

LCBO

200 GENERAL LIST

GEN. RETAIL AREA SMALL BOARD/BROCH. HOLDER (RECESSED)

REVISION
DATE
2017
NOV

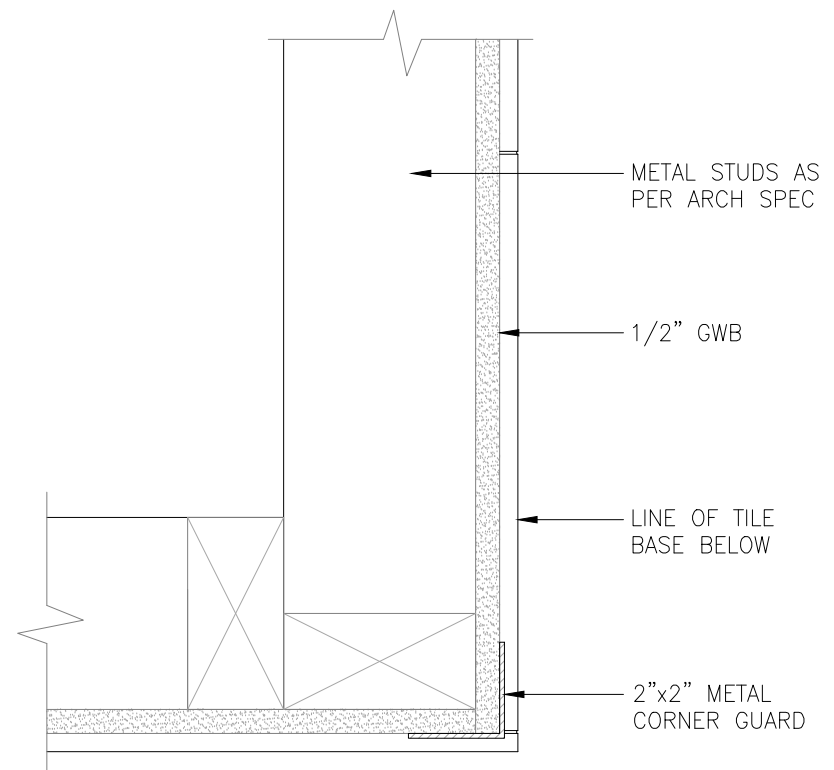
REV.
15

1 of 1
F209

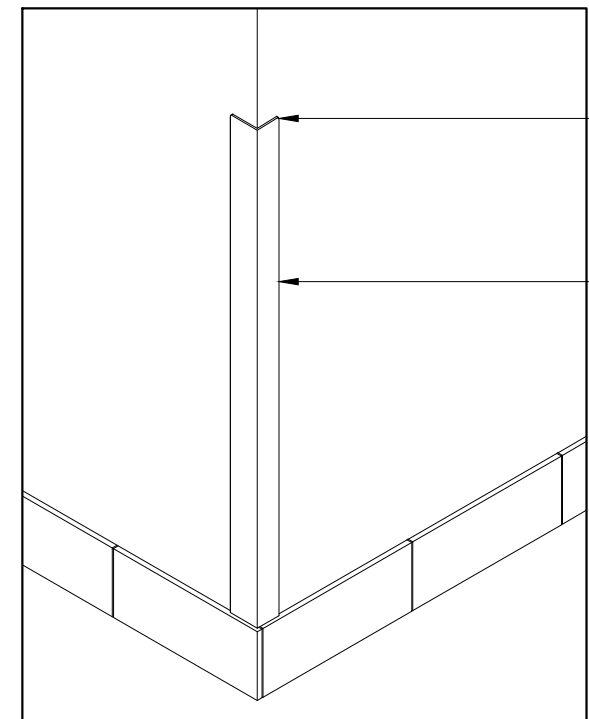
ISSUE
DATE
2021
APR

STORE
TYPE

STORE #



1 PLAN
F210 3" = 1'-0"



CORNERS TO HAVE SLIGHT RADIUS

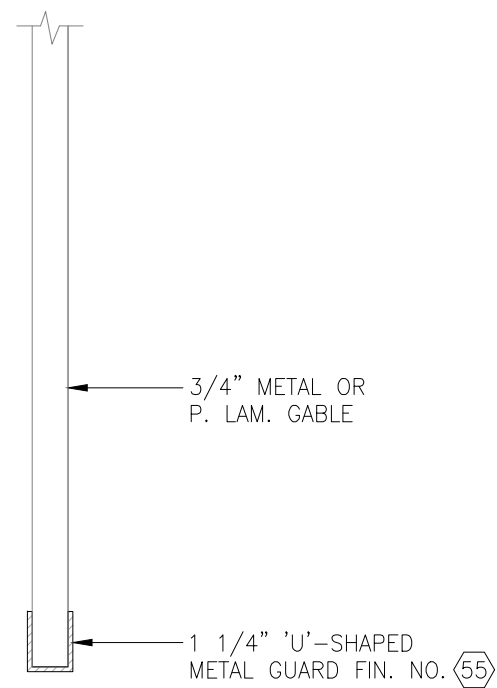
2" x 2" x 32" METAL CORNER GUARD FIN. NO. 55
ALL EDGES TO BE SOFTENED SO THAT THERE ARE NO SHARP CORNERS. SUBMIT SAMPLE FOR APPROVAL.

G.C. TO PROVIDE WOOD BLOCKING WITHIN PARTITION AS REQUIRED. CO-ORDINATE WITH LCBO RE: METHOD OF ATTACHMENT.

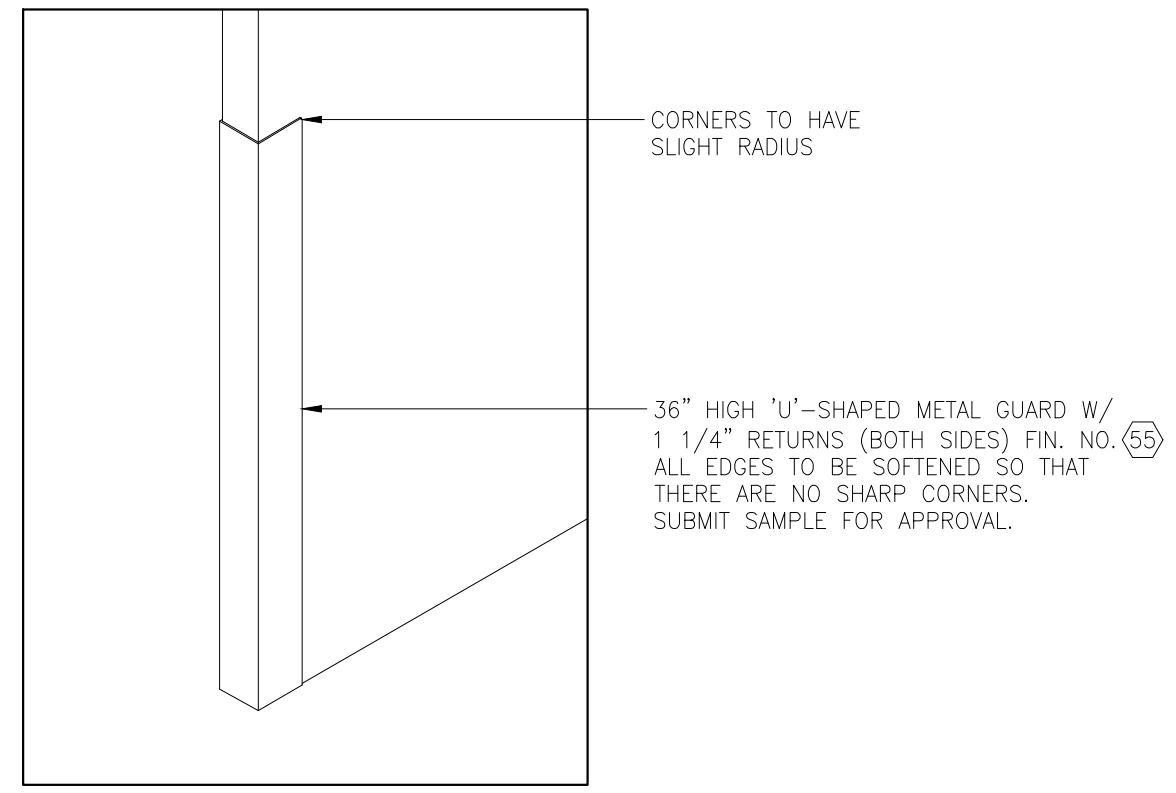
NOTE:
START FULL TILE AT CORNERS SO THAT CUT EDGE IS NOT EXPOSED

2 ISOMETRIC VIEW
F210 N.T.S.

LCBO	200 GENERAL LIST	REVISION DATE	REV.	1 of 1	ISSUE DATE	STORE TYPE	STORE #
	2" x 2" x 32" METAL CORNER GUARD	2019 APR	16	F210	2021 APR		



1 PLAN
F211 3" = 1'-0"

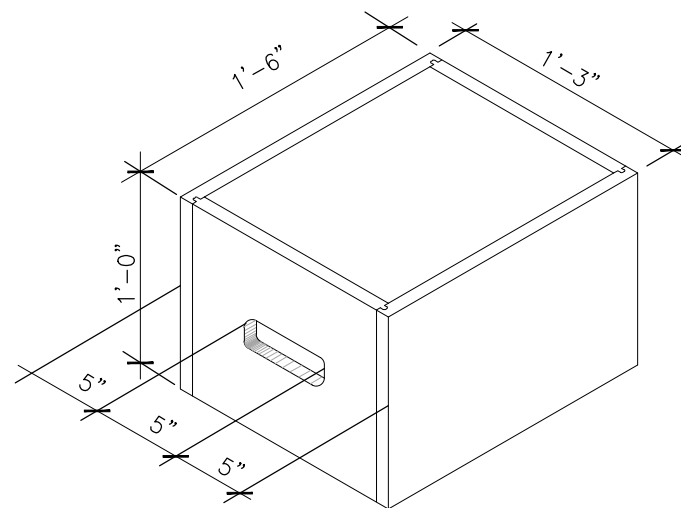


2 ISOMETRIC VIEW
F211 N.T.S.

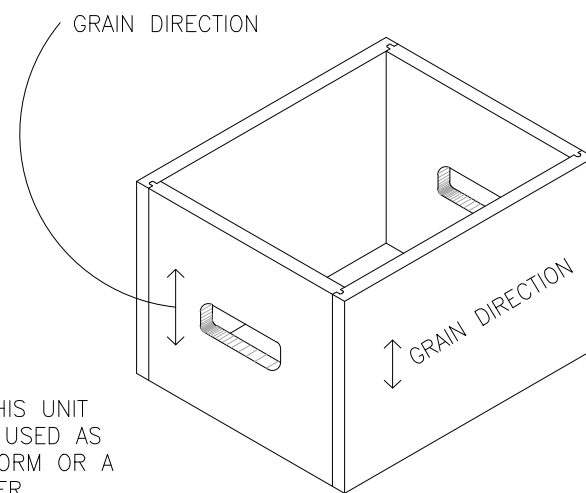
LCBO	200 GENERAL LIST	REVISION DATE	REV.	1 of 1	ISSUE DATE	STORE TYPE	STORE #
	'U'-SHAPED MET. CORNER (36" HIGH W/ 1 1/4" RET.)	2019 APR	16	F211	2021 APR		

RESERVED

LCBO	200 GENERAL LIST	REVISION DATE	REV.	1 of 1	ISSUE DATE	STORE TYPE	STORE #
		2017 NOV	15	F212-F213	2021 APR		

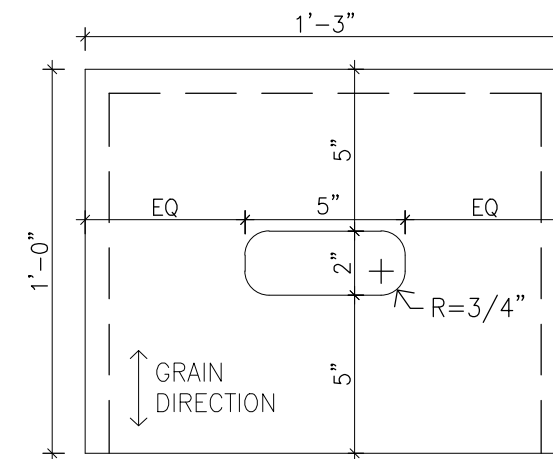


1 TYPE 'A'
F214 N.T.S.

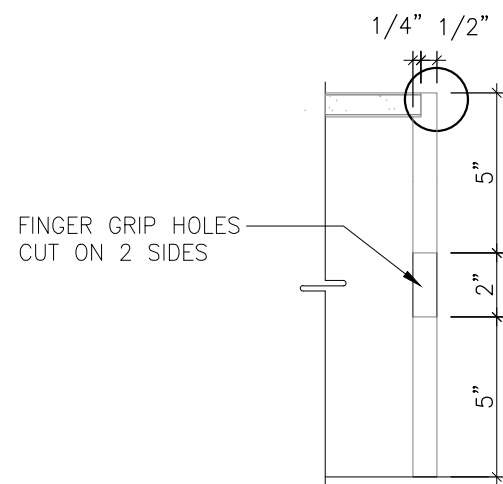


NOTE: THIS UNIT CAN BE USED AS A PLATFORM OR A CONTAINER.

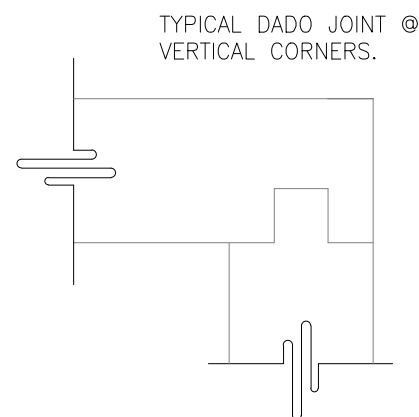
2 TYPE 'A'
F214 N.T.S.



3 TYPE 'A' ELEVATION
F214 1" = 1'-0"



4 TYPICAL SECTION
F214 N.T.S.



5 TYPICAL CORNER SECTION
F214 N.T.S.

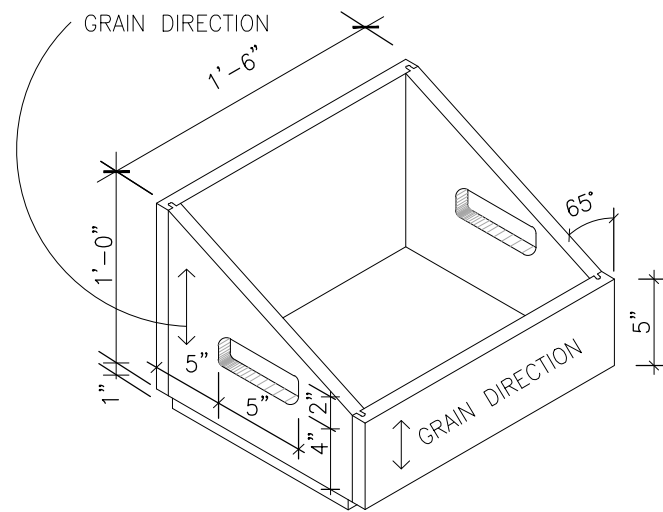
NOTES

-TYPE A UNITS TO BE CONSTRUCTED OF 3/4" MAPLE VENEERED PLYWOOD FIN. NO. (28) SEALED W/ CLEAR LACQUER FINISH. EDGES TO BE FINISHED PLYWOOD NOT MAPLE VENEER.

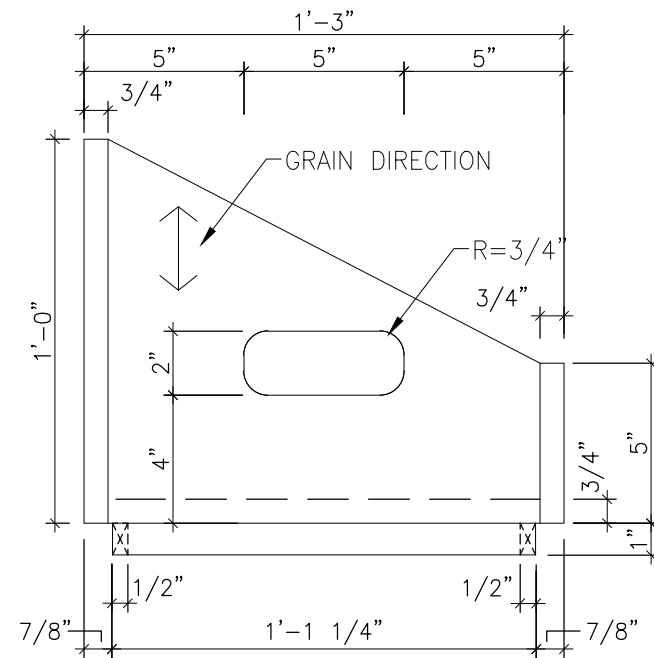
NOTES

REFER TO ITEMIZATION LEGEND FOR QUANTITY OF PRODUCT RISERS. TYPICALLY (1) UNIT REQUIRED PER END PLINTH.

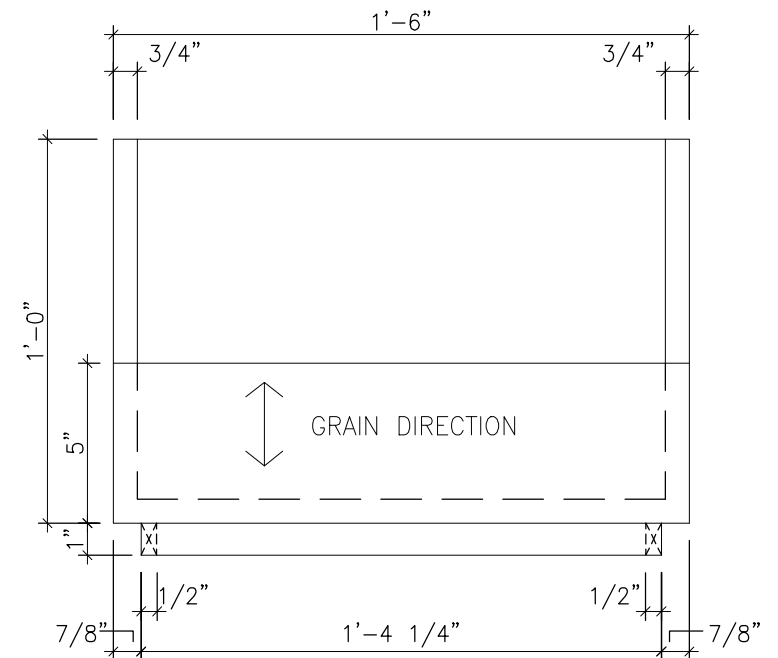
LCBO	200 GENERAL LIST	REVISION DATE	REV.	1 of 1	ISSUE DATE	STORE TYPE	STORE #
	PRODUCT RISER (TYPE A)	2017 NOV	15	F214	2021 APR		



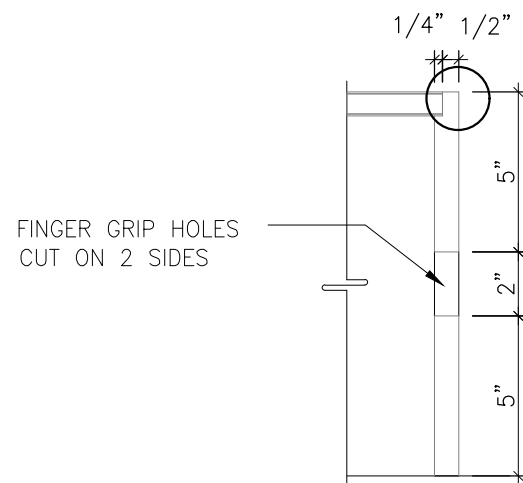
1 TYPE 'B'
F215 N.T.S.



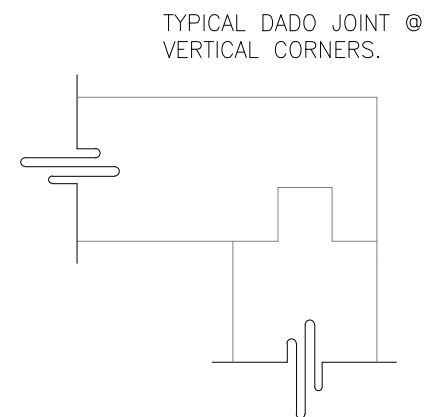
2 TYPE 'B' SIDE ELEVATION
F215 2" = 1'-0"



5 TYPE 'B' FRONT ELEVATION
F215 2" = 1'-0"



3 TYPICAL SECTION
F215 N.T.S.

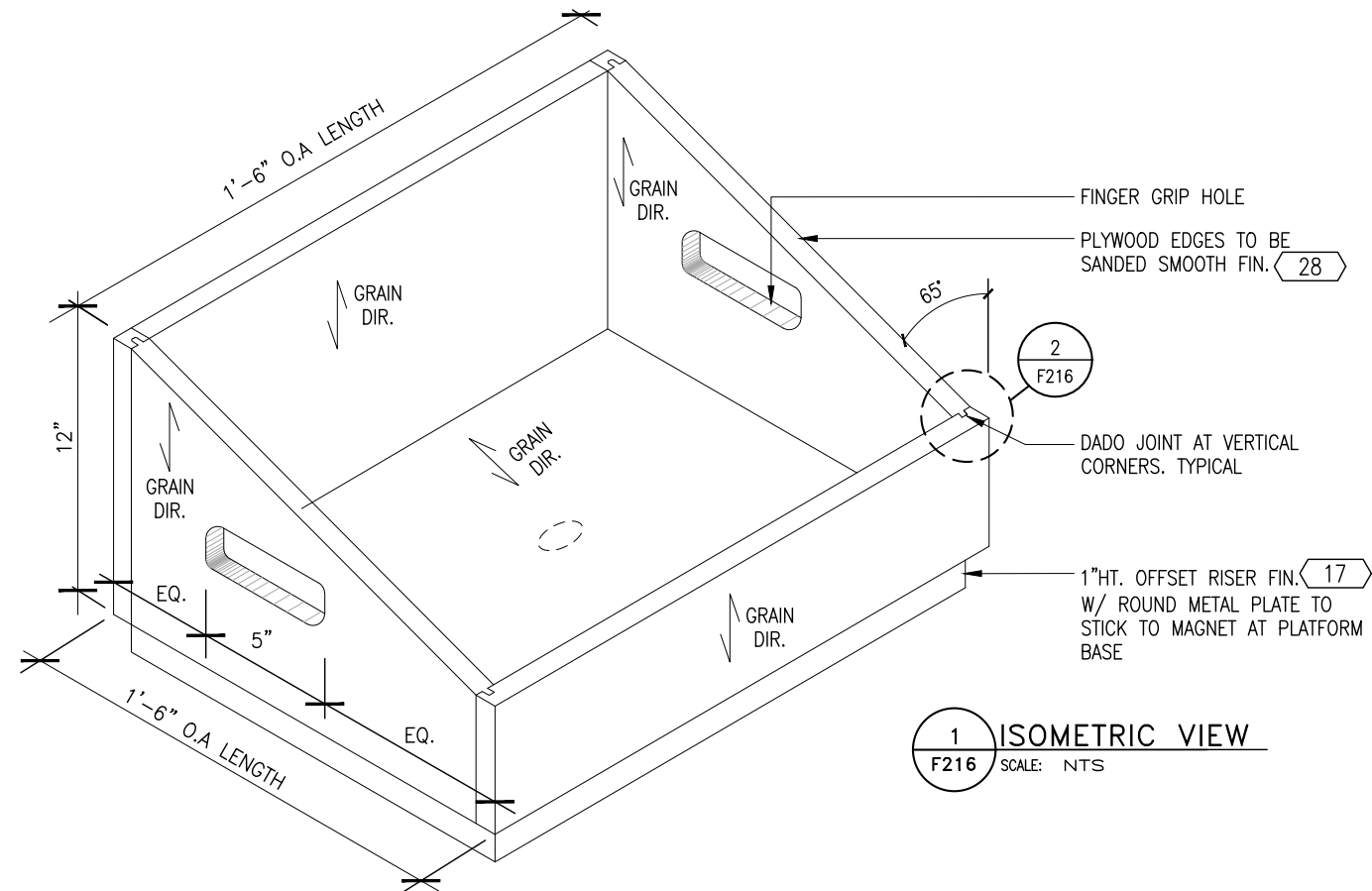


4 TYPICAL CORNER SECTION
F215 N.T.S.

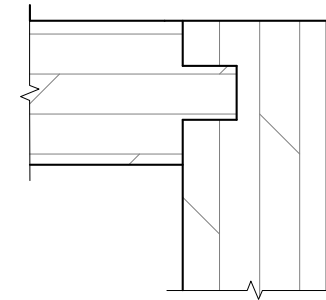
NOTES

- UNITS TO BE CONSTRUCTED OF 3/4" MAPLE VENEERED PLYWOOD FIN. NO. (28) SEALED W/ CLEAR LACQUER FINISH. EDGES TO BE FINISHED PLYWOOD NOT MAPLE VENEER.
- REFER TO ITEMIZATION LEGEND FOR QUANTITY OF PRODUCT RISERS. TYPICALL (1) UNIT REQUIRED FOR EVERY 2 END PLINTHS.
- NOTE:
ITEM F215 SITS 1" DOWN IN ITEM F214

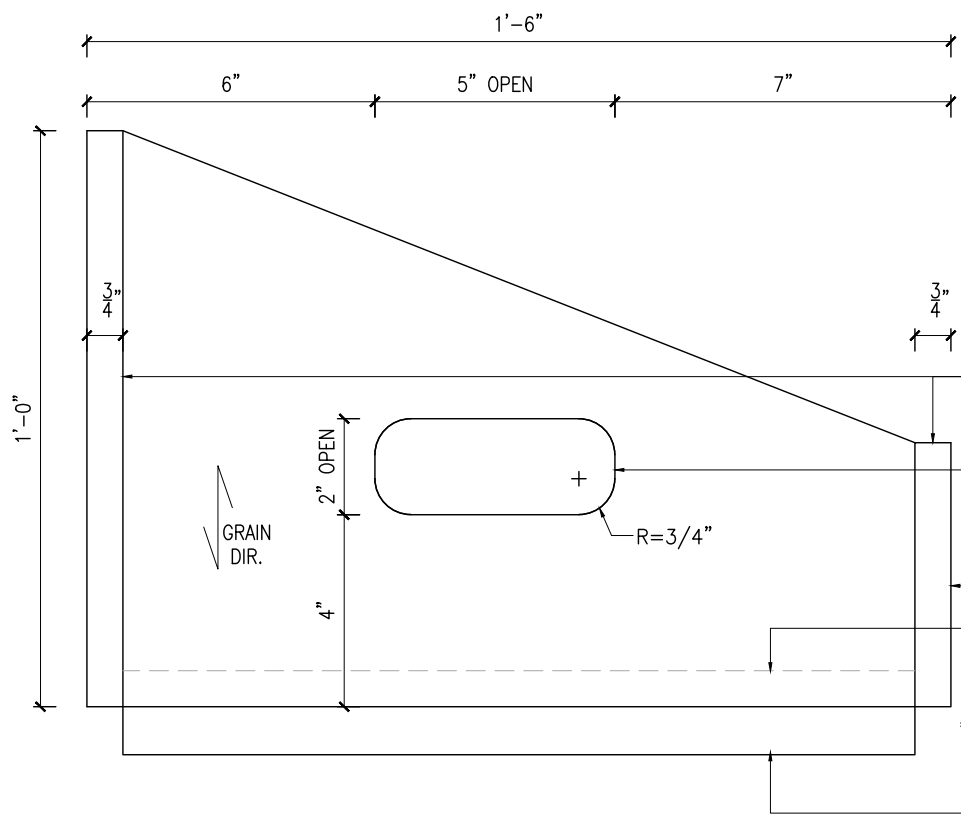
LCBO	200 GENERAL LIST	REVISION DATE	REV.	1 of 1	ISSUE DATE	STORE TYPE	STORE #
	PRODUCT RISER (TYPE B)	2017 NOV	15	F215	2021 APR		



1 ISOMETRIC VIEW
F216 SCALE: N.T.S.



2 DETAIL
F216 SCALE: N.T.S.



GENERAL NOTES:
 1. REFER TO ITEMIZATION LEGEND FOR QUANTITY OF CRATES
 2. BLACK METAL SIGN TO BE SUPPLIED BY METAL SHELVING SUPPLIER
 3. SUPPLIED AND INSTALLED BY MILLWORK CONTRACTOR

PLYWOOD EDGES TO BE SANDED SMOOTH FIN. (28) NO SHARP EDGES

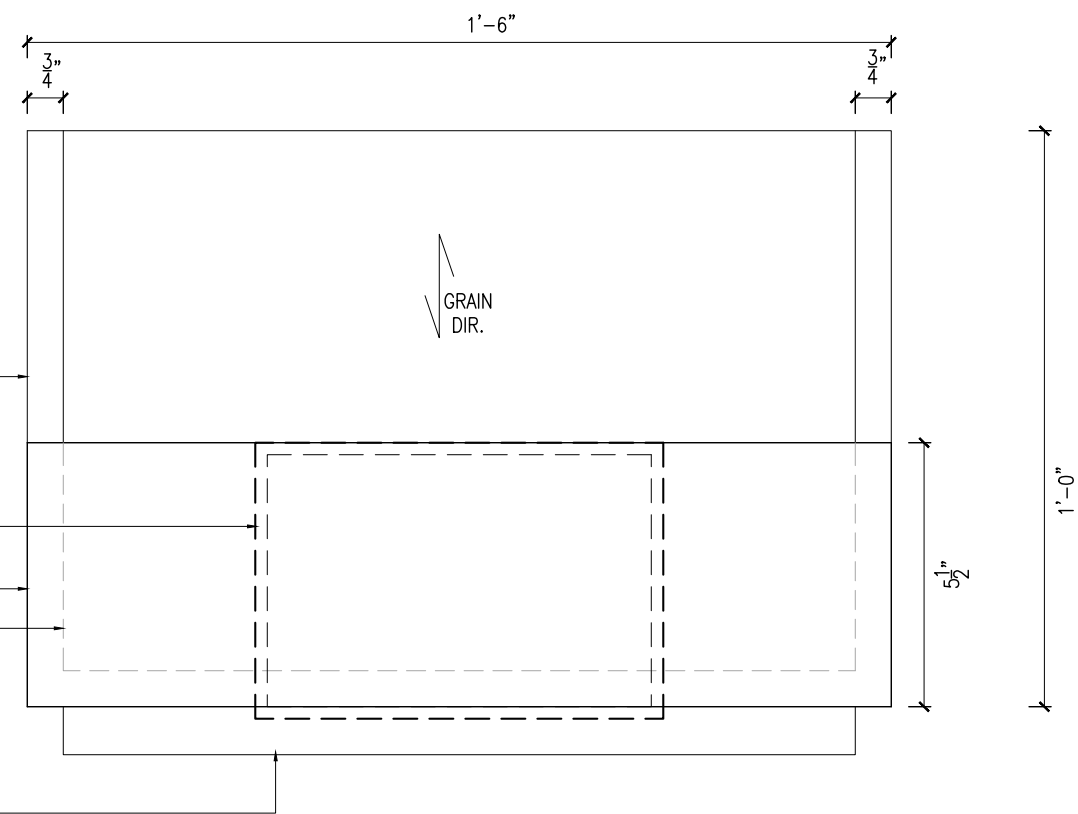
FINGER GRIP HOLE. INTERIOR EDGES TO BE SANDED SMOOTH. NO SHARP EDGES

BLACK METAL SIGN W/ PAPER SLOT TO BE SUPPLIED BY METAL SHELVING SUPPLIER (8 F216)

PLY CONSTRUCTION CRATE. FIN. NO. (28)

DASHED LINE DENOTES EXTENT OF INTERIOR CONSTRUCTION

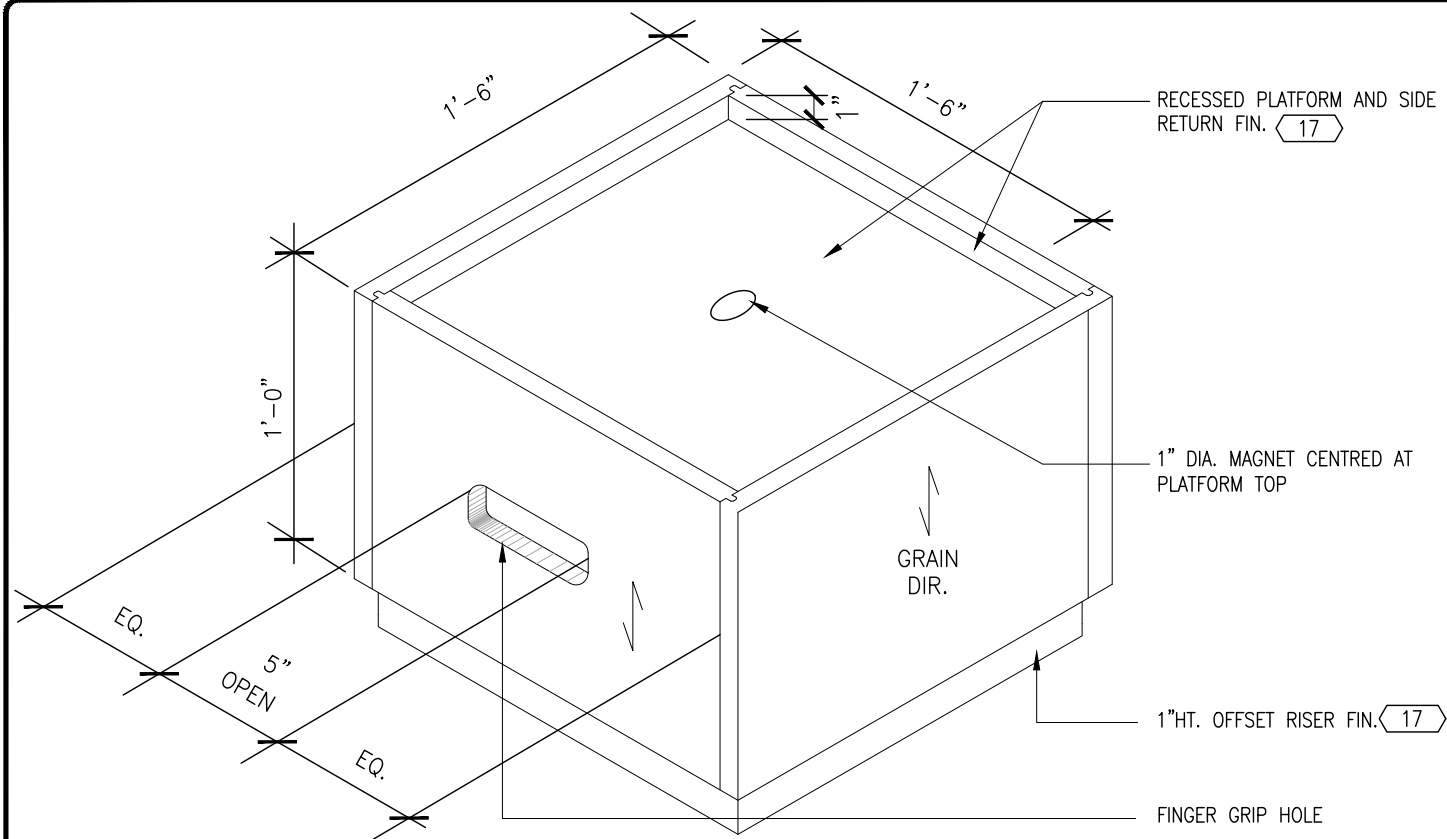
1" HT. RISER AT BOTTOM FIN. (17) W/ ROUND METAL PLATE FOR MAGNET TO STICK



4 ELEVATION
F216 SCALE: 3"=1'-0"

3 ELEVATION
F216 SCALE: 3"=1'-0"

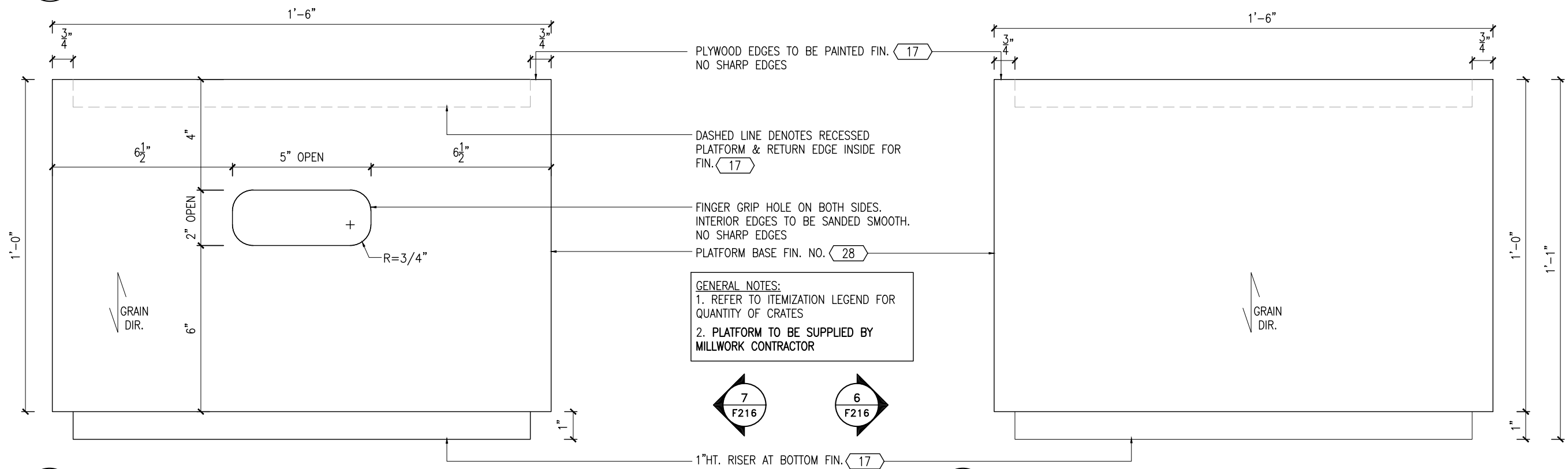
LCBO	B100 CHECK-OUT/VESTIBULE	REVISION DATE	REV.	1 of 3	ISSUE DATE	STORE TYPE	STORE #
	FRONT END RISER MERCHANDISER	2021 MAR	17	F216	2021 APR		



NOTES

- PLATFORM BASE TO BE CONSTRUCTED OF 3/4" THK. PLY MAPLE FIN. NO. (28) SEALED W/CLEAR LACQUER FINISH. EDGES TO BE FINISHED PLYWOOD NOT VENEER.
- REFER TO ITEMIZATION LEGEND FOR QUANTITY OF PRODUCT RISERS

5 ISOMETRIC VIEW - PLATFORM
 F216 SCALE: NTS



GENERAL NOTES:

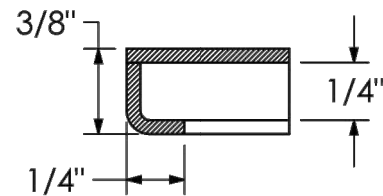
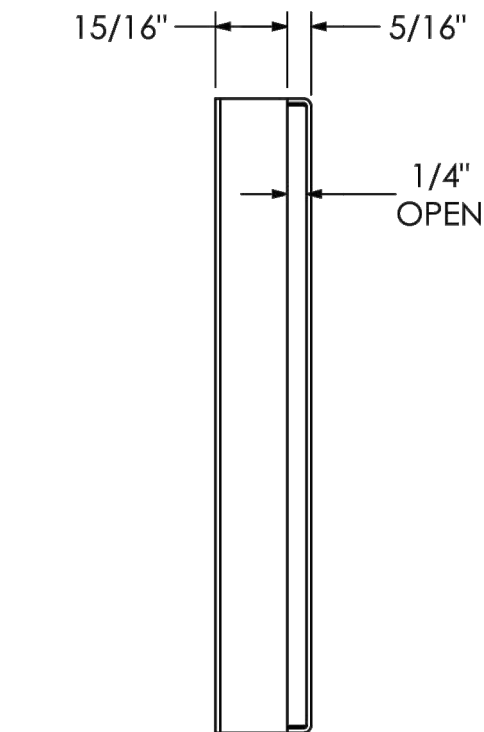
1. REFER TO ITEMIZATION LEGEND FOR QUANTITY OF CRATES
2. PLATFORM TO BE SUPPLIED BY MILLWORK CONTRACTOR

6 ELEVATION
 F216 SCALE: 3"=1'-0"

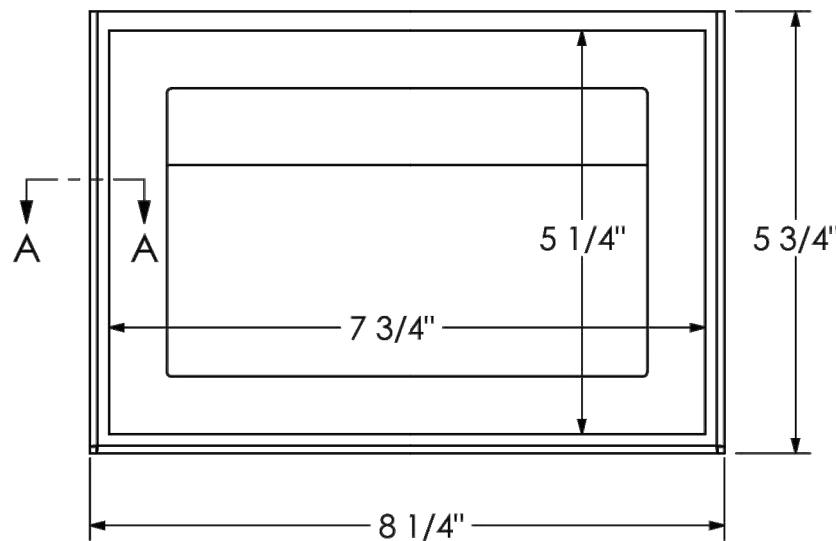
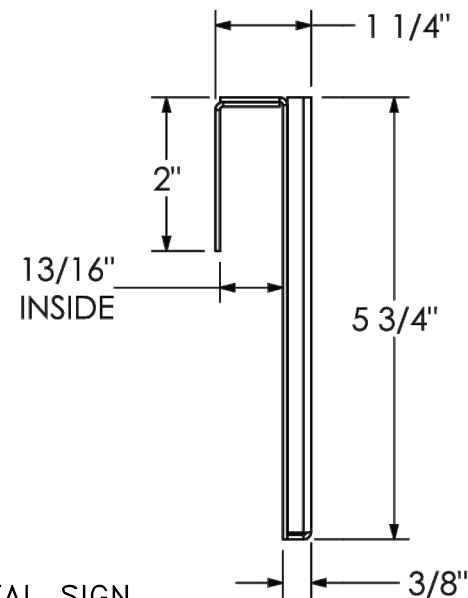
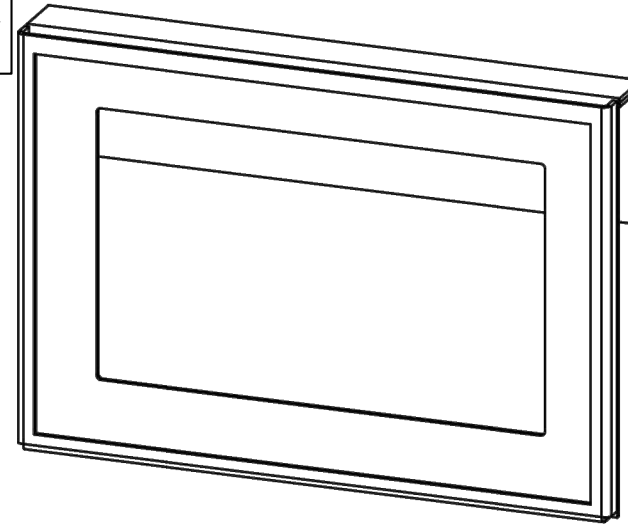
7 ELEVATION
 F216 SCALE: 3"=1'-0"

LCBO	B100 CHECK-OUT/VESTIBULE	REVISION DATE	REV.	2 of 3	ISSUE DATE	STORE TYPE	STORE #
	FRONT END RISER MERCHANDISER	2021 MAR	17	F216	2021 APR		

METAL SIGN
HOLDER FIN. NO. 16A



SECTION A-A
TYPICAL



8 DETAIL - METAL SIGN
F216 SCALE: 3" = 1'-0"

No. de plan:
042-8070806-01
APPROBATION

Description:
"L" SHAPE TABLE TOP
SIGNS

Notes générales:
16 GA METAL

W:\dessin\042\

Fabrication:
Métal

Poids: 0.13738 Lbs

Tolérances
Fractions: +0 Angles: ±1°
 -1/32"

Auteur: Elise G. Date: 09-03-20
Vérifié par

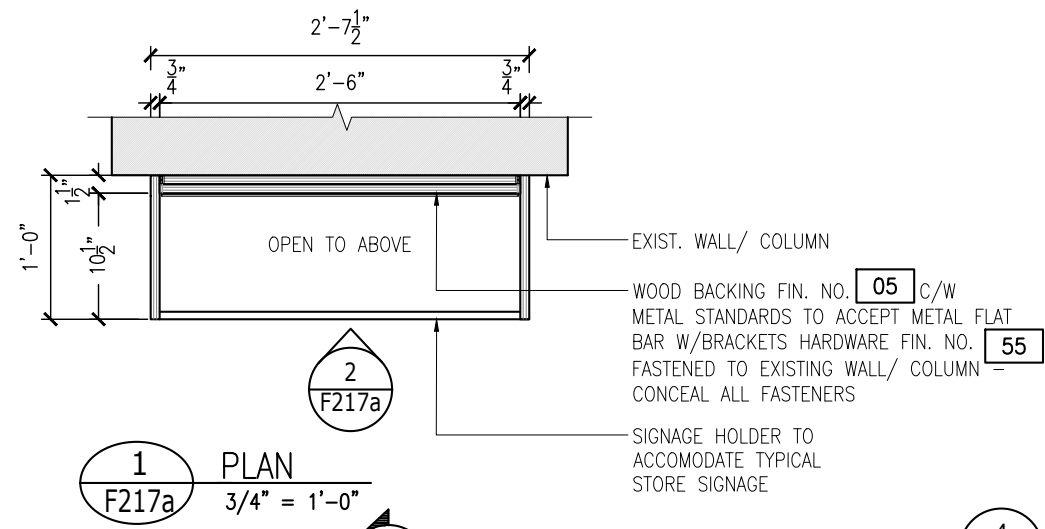
Les informations contenues dans ce dessin sont la propriété exclusive de Vic Store Fixtures. Toute copie ou changement sans consentement écrit est interdit.
All the information contained in this drawing is the sole property of Vic Store Fixtures. Any reproduction or change without written notice is prohibited.

Page 1 de 1

LCBO

B100 CHECK-OUT/VESTIBULE
FRONT END RISER MECHANDISER SIGN HOLDER

REVISION DATE	REV.	3 of 3	ISSUE DATE	STORE TYPE	STORE #
-	-	F216	2021 APR		

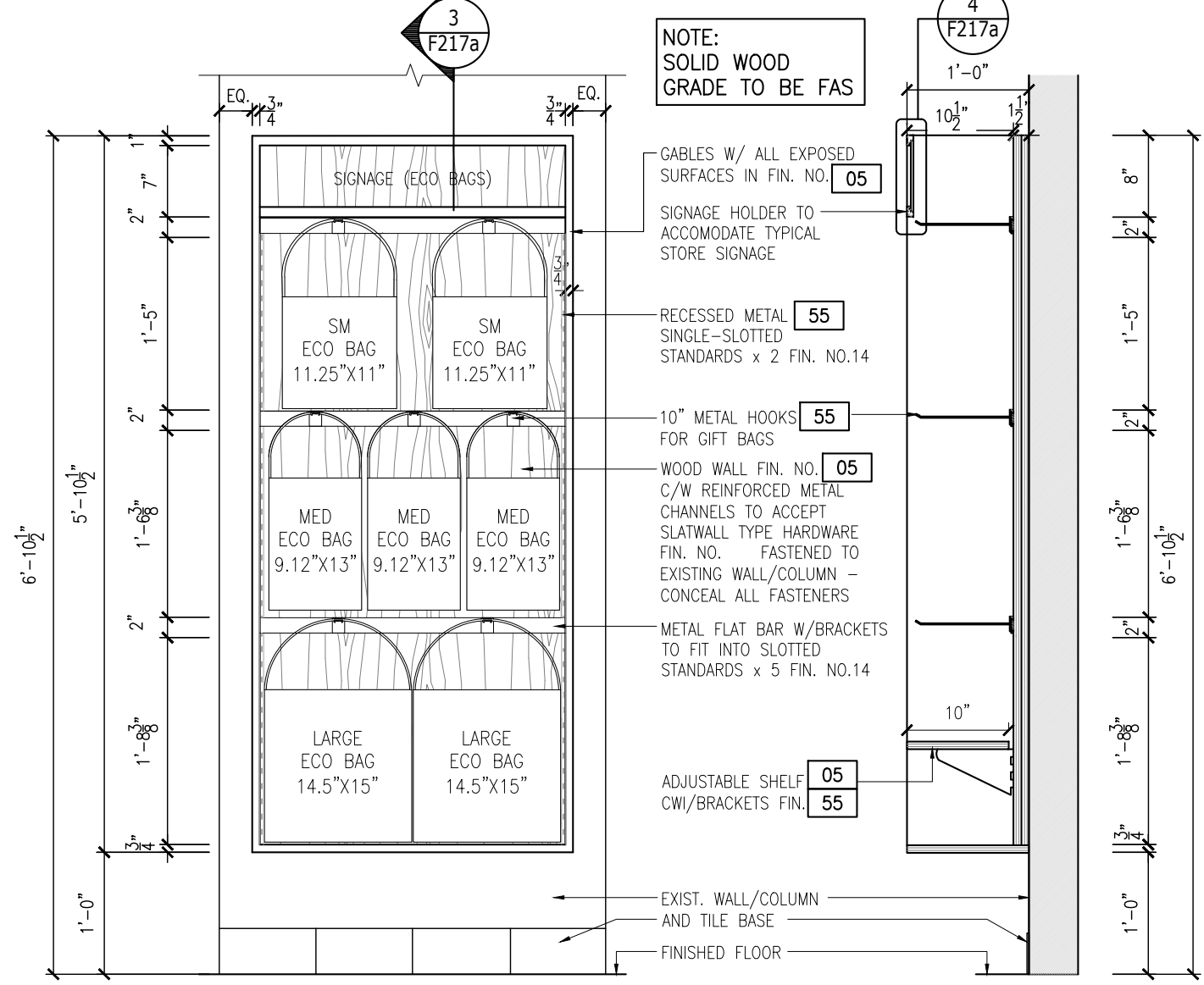


1 PLAN
F217a
3/4" = 1'-0"

SHELVING ACCESSORIES	
ITEM	QTY
HOOKS 10"	7
METAL FLAT BAR	3
10" SHELF W/BRACKETS	1

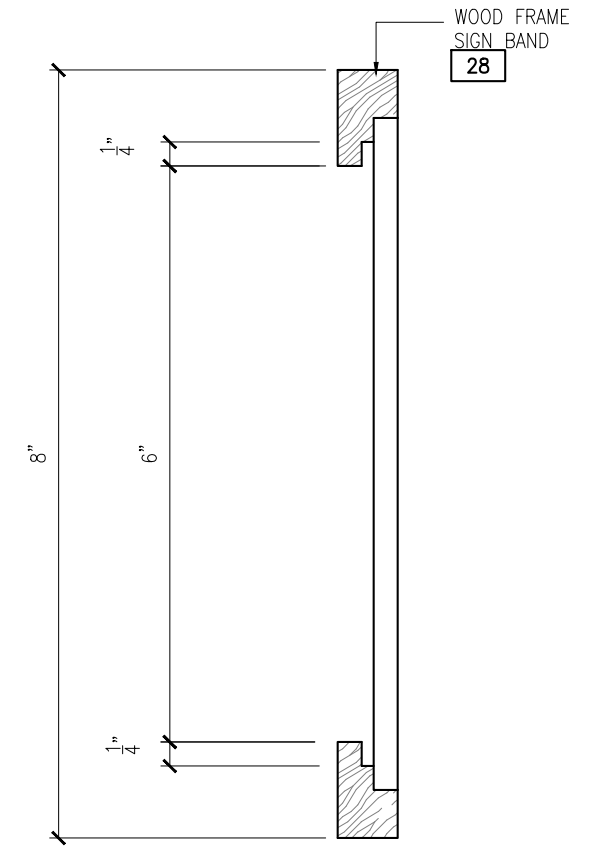
ALL METAL HARDWARE TO BE FIN. 55

NOTE:
GIFT BAGS TO BE SUPPLIED & INSTALLED BY LCBO



2 ELEVATION
F217a
3/4" = 1'-0"

3 SECTION
F217a
3/4" = 1'-0"

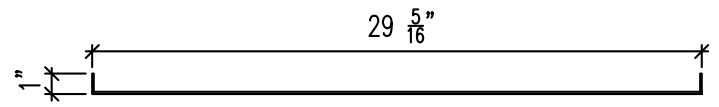


4 DETAIL
F217a
6" = 1'-0"

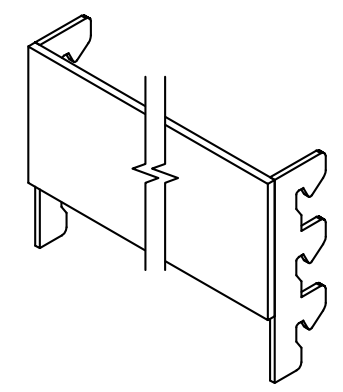
LCBO	200 - GENERAL LIST	REVISION DATE	REV.	1 of 3	ISSUE DATE	STORE TYPE	STORE #
	REUSABLE BAG HOLDER	2021 MAR	17	F217a			

ALL METAL HARDWARE TO BE FIN. 55	
EXPOSED SURFACES	STAINLESS STEEL

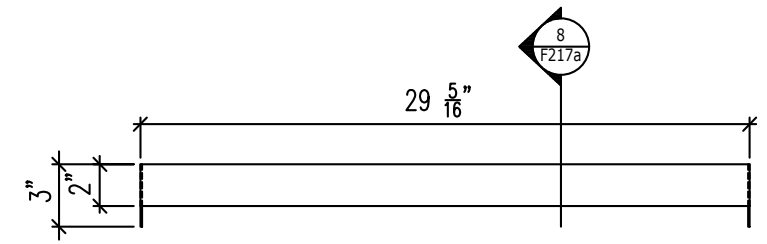
QTY = 3



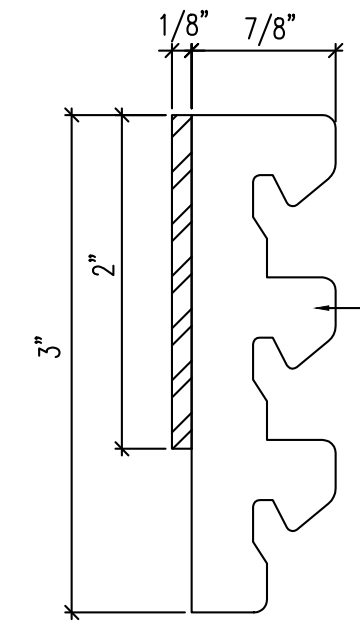
5 PLAN
F217a SCALE : 1:8



7 ISOMETRIC
F217a SCALE : N.T.S.



6 ELEVATION
F217a SCALE : 1:8



1/8" BRACKET WELDED TO 1/8" FLAT BAR. BRACKETS TO FIT INTO 3/4" x 1/2" HEAVY DUTY SLOTTED STANDARD C/W 5/8" SLOTS @ 1" O.C FIN 55

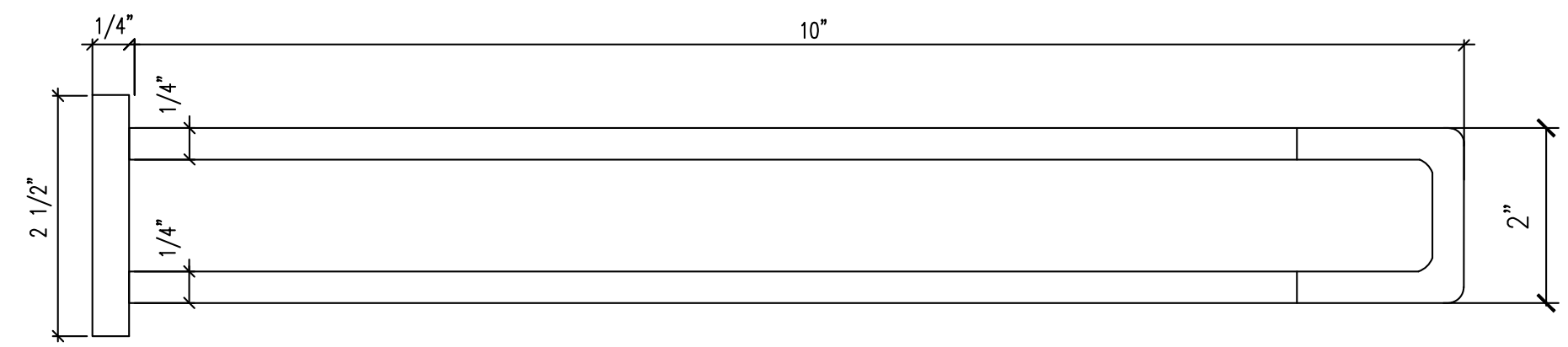
8 SECTION
F217a SCALE : 1:1

LCBO	200 - GENERAL LIST	REVISION DATE	REV.	2 of 3	ISSUE DATE	STORE TYPE	STORE #
	REUSABLE BAG HOLDER	2021 MAR	17	F217a			

ALL METAL HARDWARE TO
BE FIN. 55

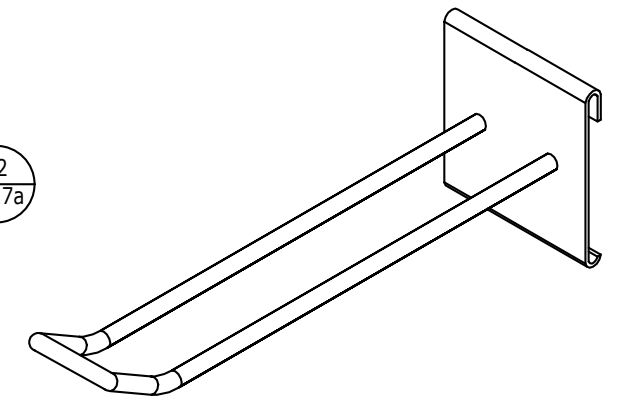
EXPOSED SURFACES	STAINLESS STEEL
------------------	-----------------

QTY = 7

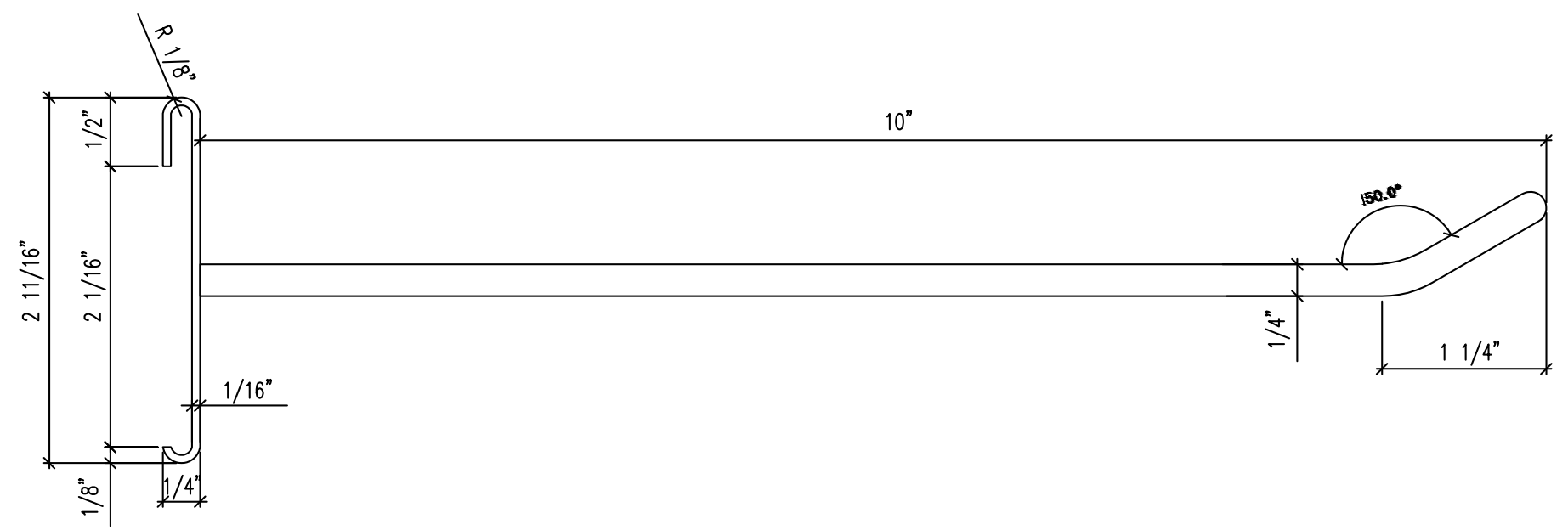


9 PLAN
F217a SCALE : 1:1

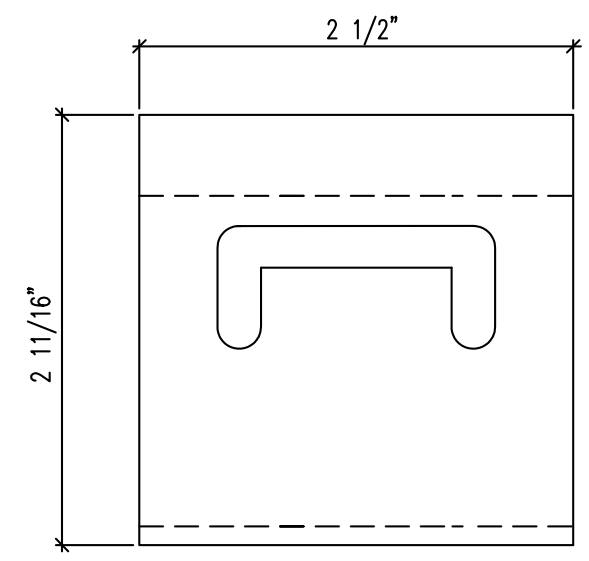
10
F217a



11 ISOMETRIC
F217a SCALE : 1:1

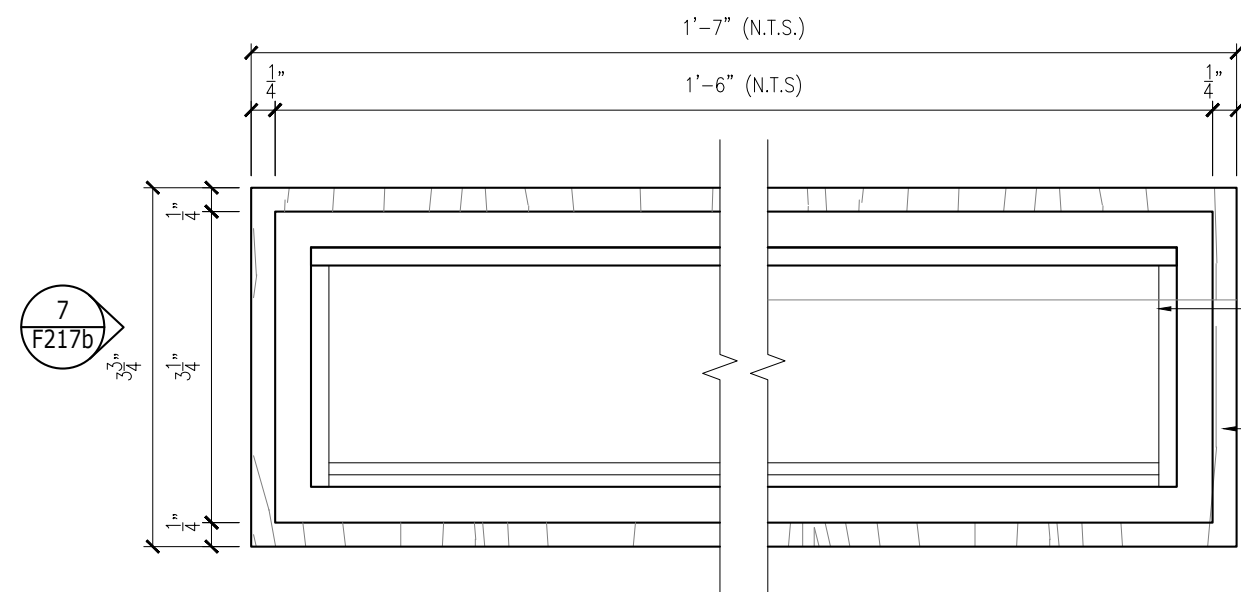


10 ELEVATION
F217a SCALE : 1:1



12 ELEVATION
F217a SCALE : 1:1

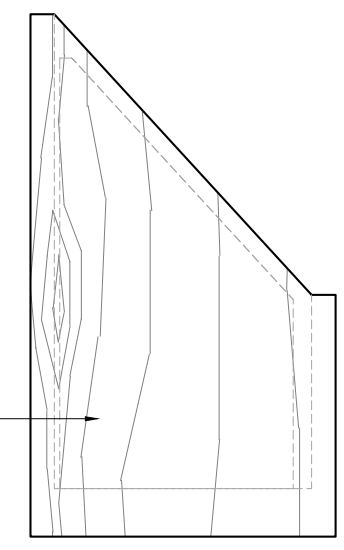
LCBO	200 - GENERAL LIST	REVISION DATE	REV.	3 of 3	ISSUE DATE	STORE TYPE	STORE #
	REUSABLE BAG HOLDER	2021 MAR	17	F217a			



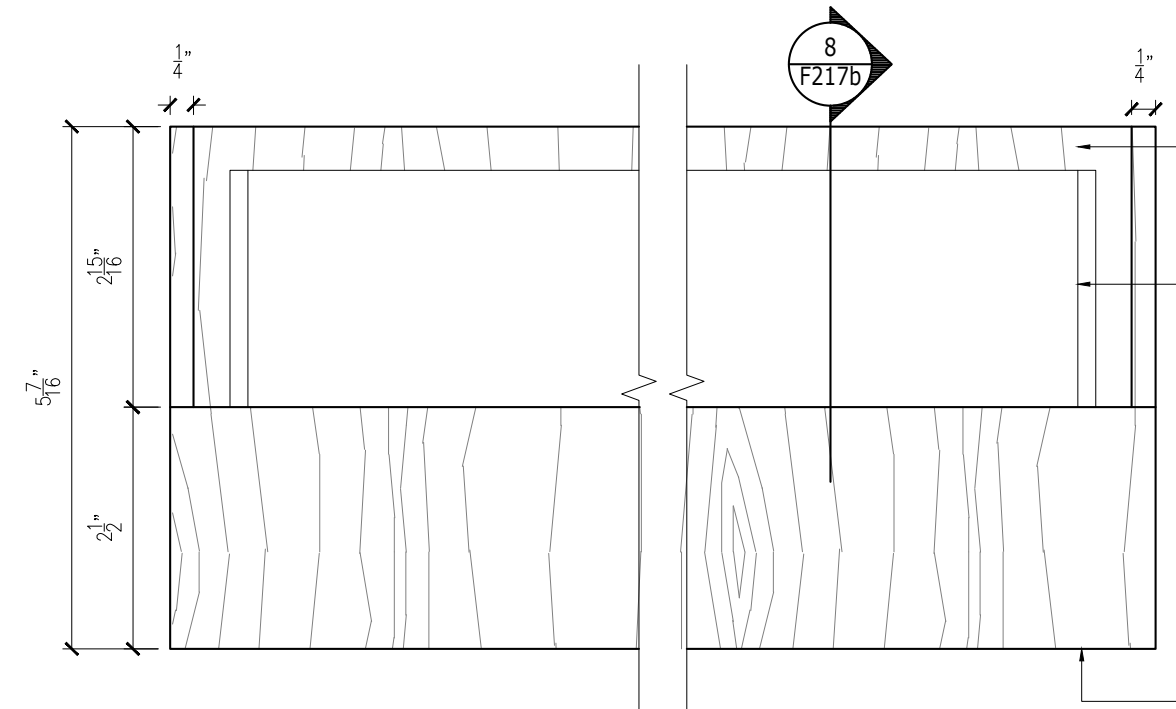
5 PLAN - "CARD HOLDER"
F217b SCALE : HALF SCALE

REMOVABLE CLEAR ACRYLIC
GIFT CARD MERCHANDISER -
SEE DETAIL 9/F217b

WOOD TROUGH W/ ALL EXPOSED
SURFACED IN FIN. NO. 28
CARD HOLDERS TO BE
FASTENED TO RISER WITH
CONCEALED SCREWS



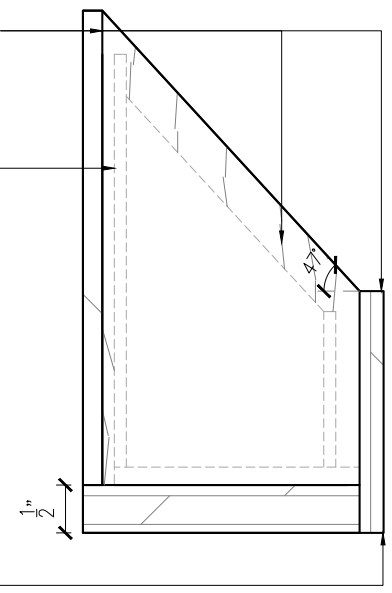
7 SIDE ELEVATION
F217b SCALE : HALF SCALE



6 ELEVATION
F217b SCALE : HALF SCALE

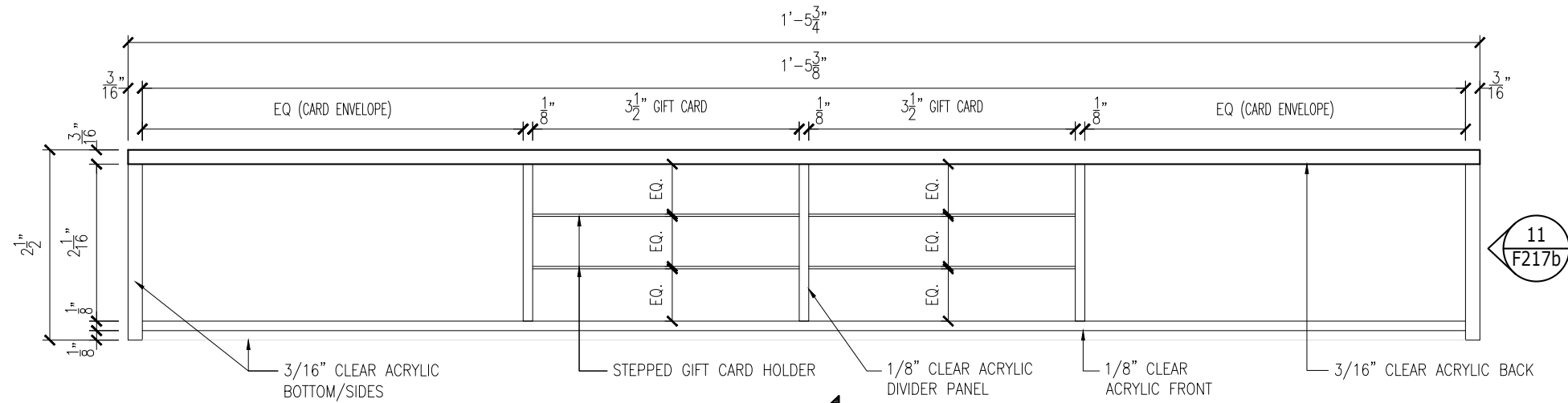
WOOD TROUGH W/ ALL EXPOSED
SURFACED IN FIN. NO. 28

REMOVABLE CLEAR ACRYLIC
GIFT CARD MERCHANDISER -
SEE DETAIL 9/F217b

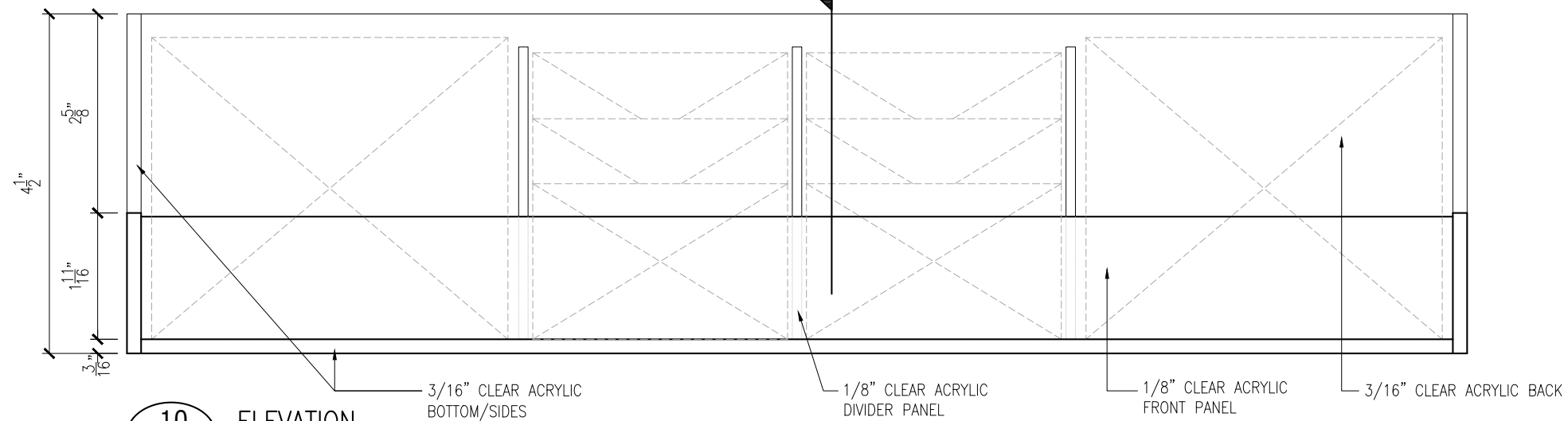


8 SECTION
F217b SCALE : HALF SCALE

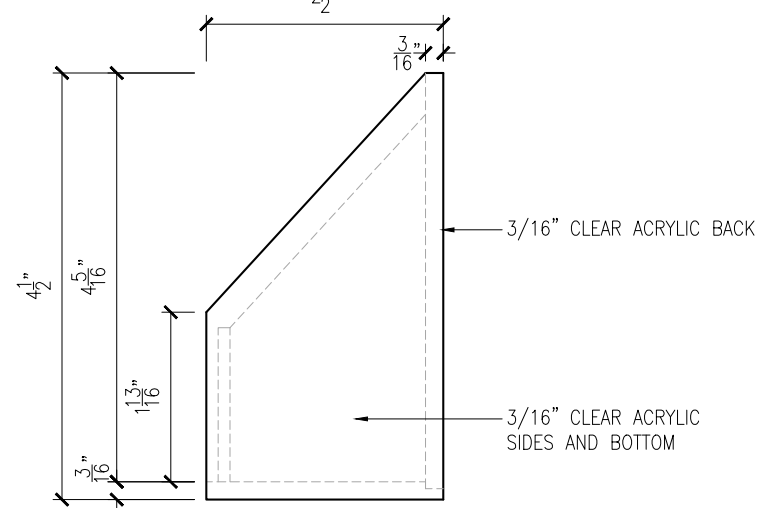
LCBO	200 - GENERAL LIST	REVISION DATE	REV.	2 of 4	ISSUE DATE	STORE TYPE	STORE #
	GIFT PACKAGING FIXTURE	2021 MAR	17	F217b	2021 APR		



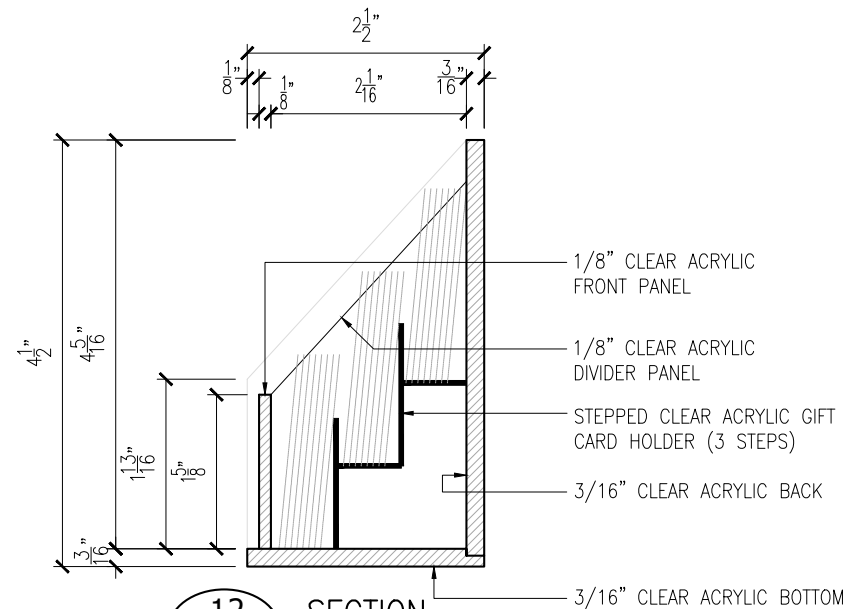
9 PLAN—"ACRYLIC CARD MERCHANDISER"
F217b SCALE : HALF SCALE



10 ELEVATION
F217b SCALE : HALF SCALE

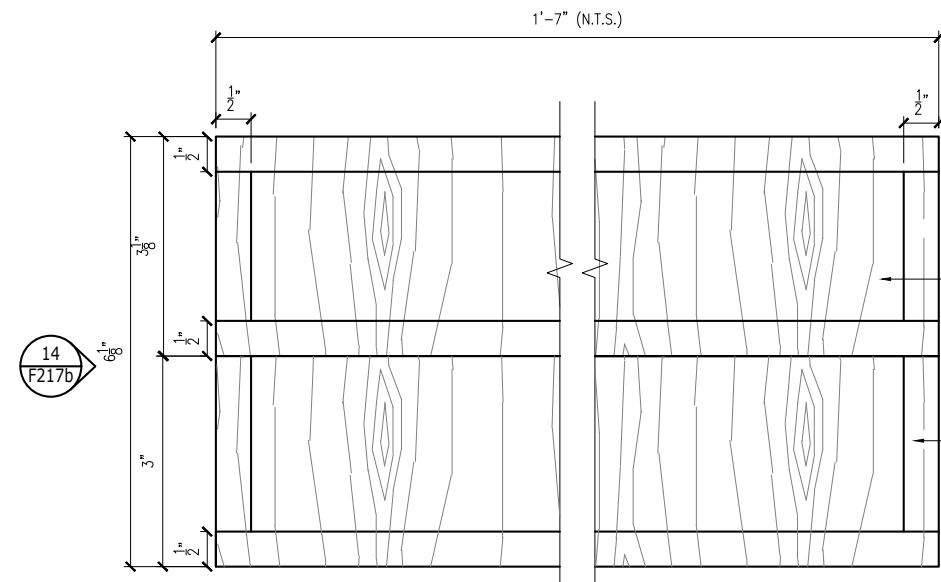


11 SIDE ELEVATION
F217b SCALE : HALF SCALE



12 SECTION
F217b SCALE : HALF SCALE

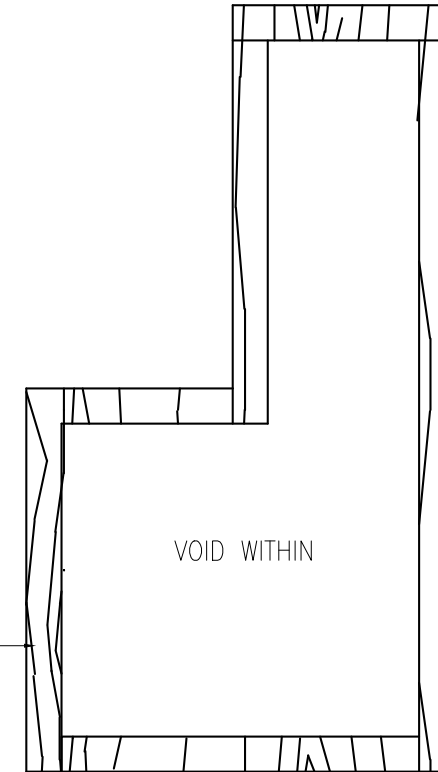
LCBO	200 - GENERAL LIST	REVISION DATE	REV.	3 of 4	ISSUE DATE	STORE TYPE	STORE #
	GIFT PACKAGING FIXTURE	2021 MAR	17	F217b	2021 APR		



14
F217b

CARD HOLDERS TO BE FASTENED TO RISER WITH CONCEALED SCREWS.

WOOD TROUGH W/ ALL EXPOSED SURFACED IN FIN. NO. 28

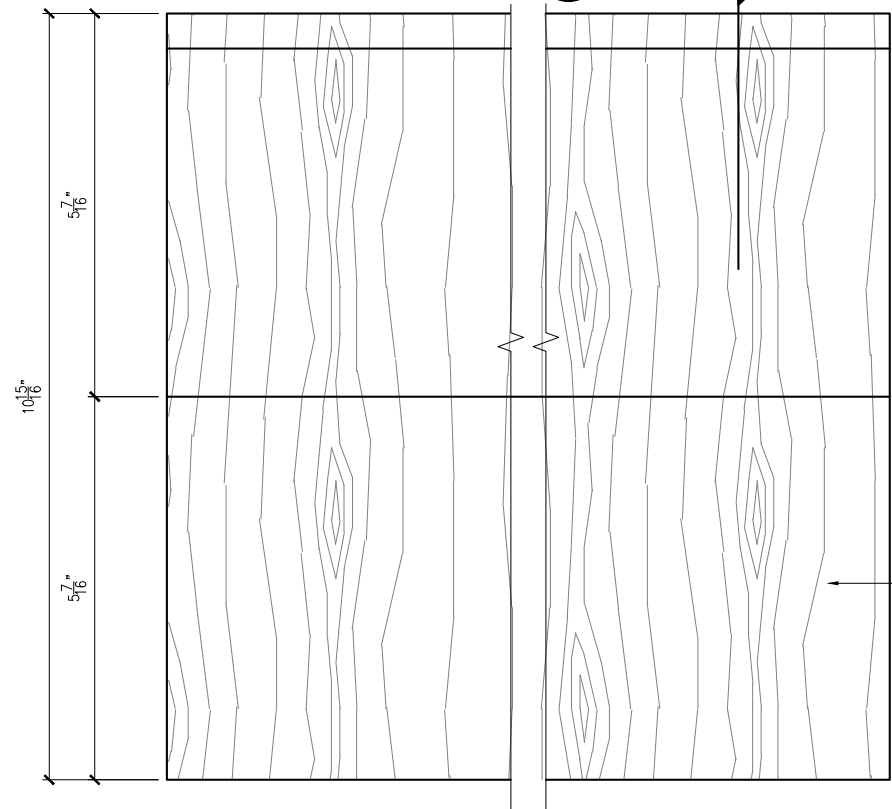


14 SIDE ELEVATION
SCALE : HALF SCALE

13 PLAN - "RISER"
SCALE : HALF SCALE

15
F217b

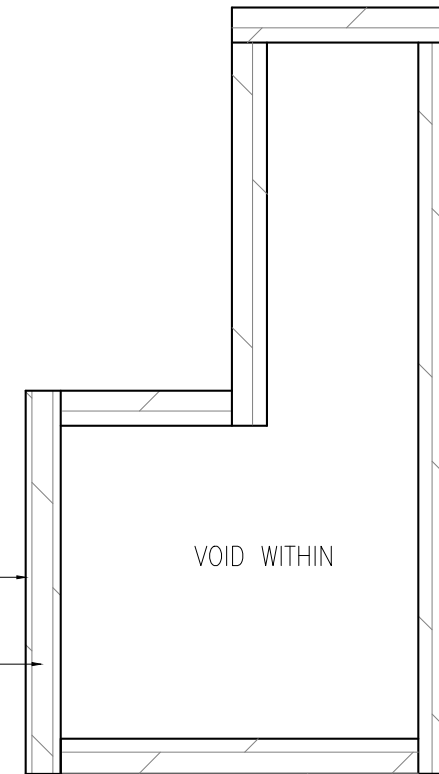
16
F217b



15 ELEVATION
SCALE : HALF SCALE

WOOD TROUGH W/ ALL EXPOSED SURFACED IN FIN. NO. 28

PLYWOOD CORE CONSTRUCTION

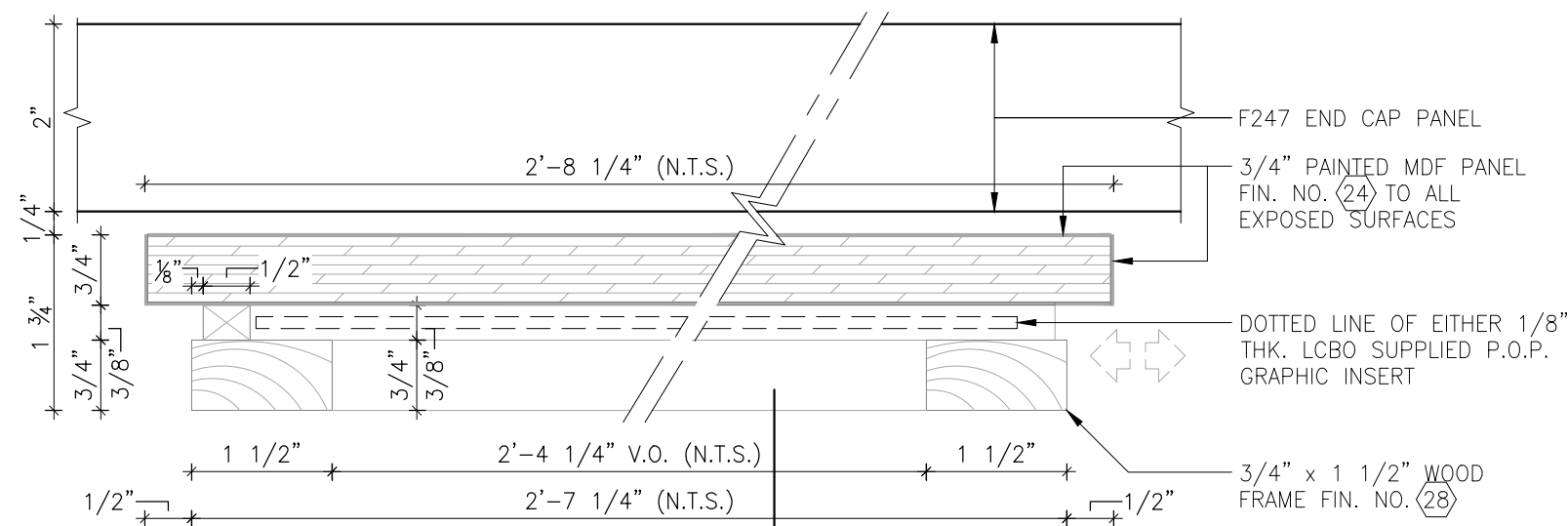


16 SECTION
SCALE : HALF SCALE

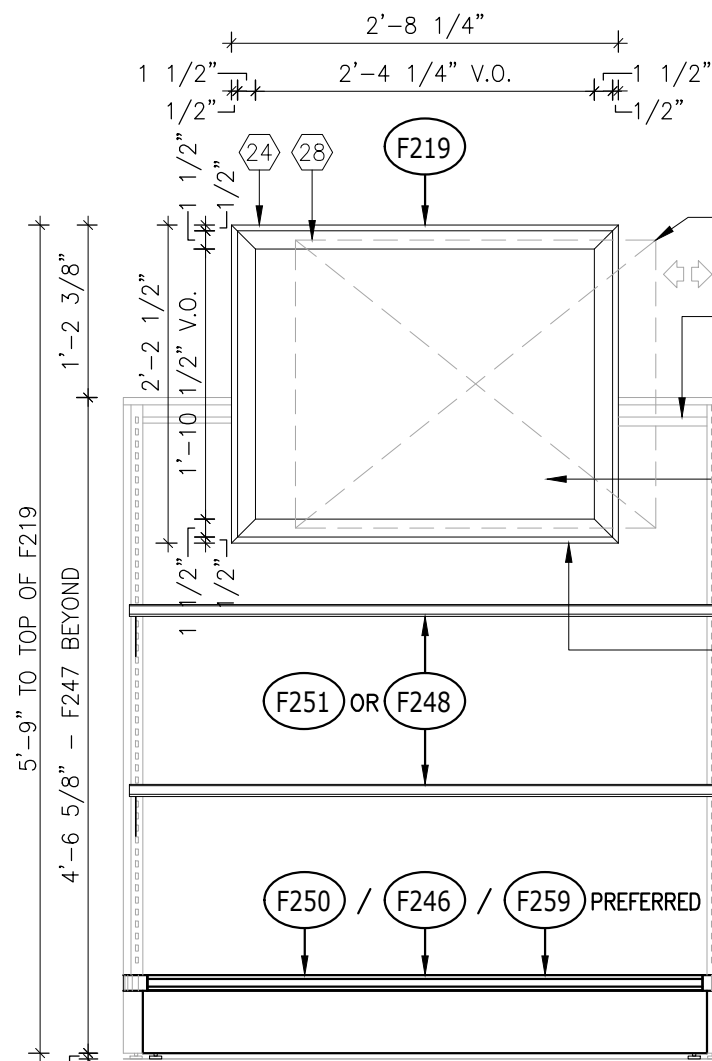
LCBO	200 - GENERAL LIST	REVISION DATE	REV.	4 of 4	ISSUE DATE	STORE TYPE	STORE #
	GIFT PACKAGING FIXTURE	2021 MAR	17	F217b	2021 APR		

RESERVED

LCBO	200 GENERAL LIST	REVISION DATE	REV.	1 of 1	ISSUE DATE	STORE TYPE	STORE #
		2017 NOV	15	F217-F218	2021 APR		



1 PLAN
F219 6" = 1'-0"



2 ELEVATION
F219 3/4" = 1'-0"

NOTE:
SOLID WOOD GRADE TO BE FAS

DOTTED LINES OF POSTER (SUPPLIED BY LCBO) - SLOT IN RIGHT SIDE OF P.O.P. FRAME ONLY

METAL CHANNEL IN F247 TO ACCOMMODATE SLATWALL-TYPE HARDWARE MOUNTED BEHIND F219 FRAME. SHELVING SUPPLIER TO COORDINATE W/ MILLWORK CONTRACTOR.

3/4" PAINTED MDF PANEL FIN. NO. (24) TO ALL EXPOSED SURFACES

REMOVABLE P.O.P. FRAME FIN. NO. (28) WITH MITRED CORNERS BY MILLWORK CONTRACTOR. PROVIDE 1/2" OPENING/SLOT IN RIGHT SIDE OF FRAME ONLY FOR LCBO SUPPLIED P.O.P. GRAPHIC INSERT

POSTER SIZE: 30" W. x 24" H.

MILLWORK CONTRACTOR TO PROVIDE FIVE (5) 30" x 24" REMOVABLE MASONITE PANELS W/ CHALKBOARD PAINT FINISH (MILLWORK CONTRACTOR TO CONFIRM EXACT QUANTITY REQUIRED PER STORE WITH LCBO DESIGN COORDINATOR)

F247-1" METAL TUBE C/W METAL CHANNEL DETAIL FIN. NO. (16A) SHELVING SUPPLIER TO SUPPLY SHOP DWGS. FOR APPROVAL PRIOR TO FABRICATION

F247-SOLID WOOD TRIM OF END CAP PANEL FIN. (28) BY SHELVING SUPPLIER. METAL SHELVING SUPPLIER TO COORDINATE WOOD TRIM FINISH AND COLOUR TO MATCH MILLWORKER'S WOOD TRIM

F219 RE-INFORCED METAL CHANNEL BY SHELVING SUPPLIER TO ACCOMMODATE SLATWALL-TYPE HARDWARE AS SHOWN

SLATWALL TYPE HARDWARE SCREW FIXED TO BACK OF F219 SUPPLIED BY MILLWORK CONTRACTOR

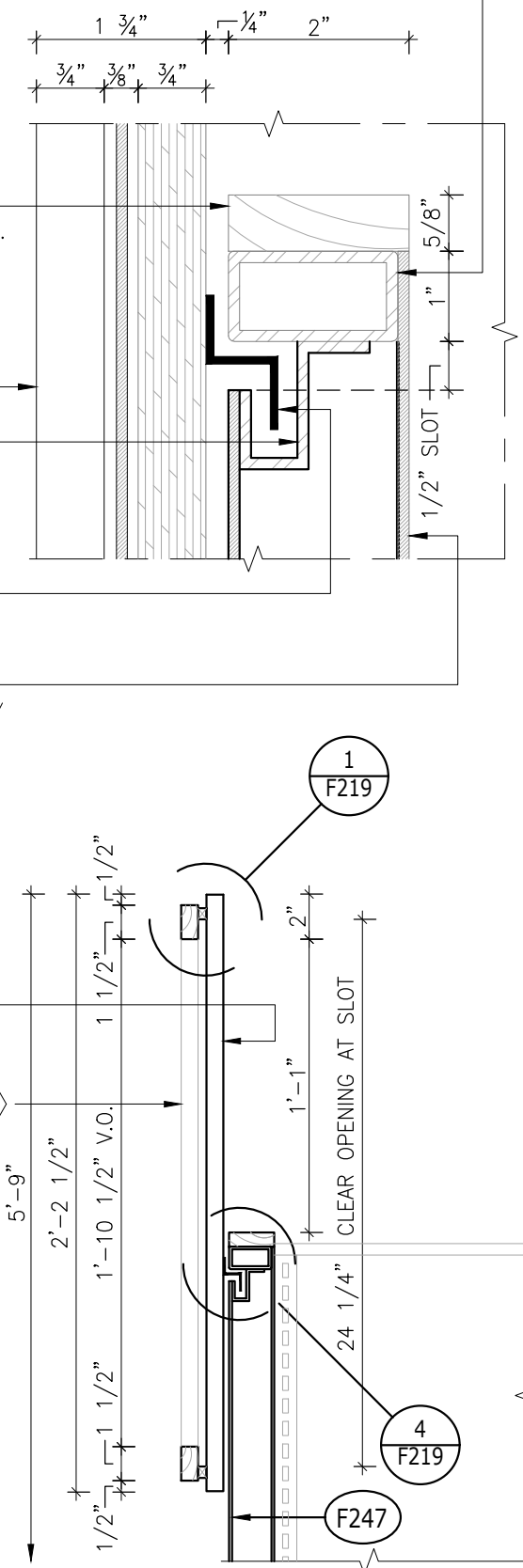
F247-MASONITE BACK PANEL OF END CAP PANEL BY SHELVING SUPPLIER W/ TO MATCH FIN. NO. (16A)

4 DETAIL
F219 6" = 1'-0"

3/4" PAINTED MDF PANEL FIN. NO. (24) TO ALL EXPOSED SURFACES

REMOVABLE P.O.P. FRAME FIN. NO. (28) WITH MITRED CORNERS BY MILLWORK CONTRACTOR. PROVIDE 3/8" OPENING/SLOT IN RIGHT SIDE OF FRAME ONLY FOR LCBO SUPPLIED P.O.P. GRAPHIC INSERT

3 SECTION
F219 1 1/2" = 1'-0"



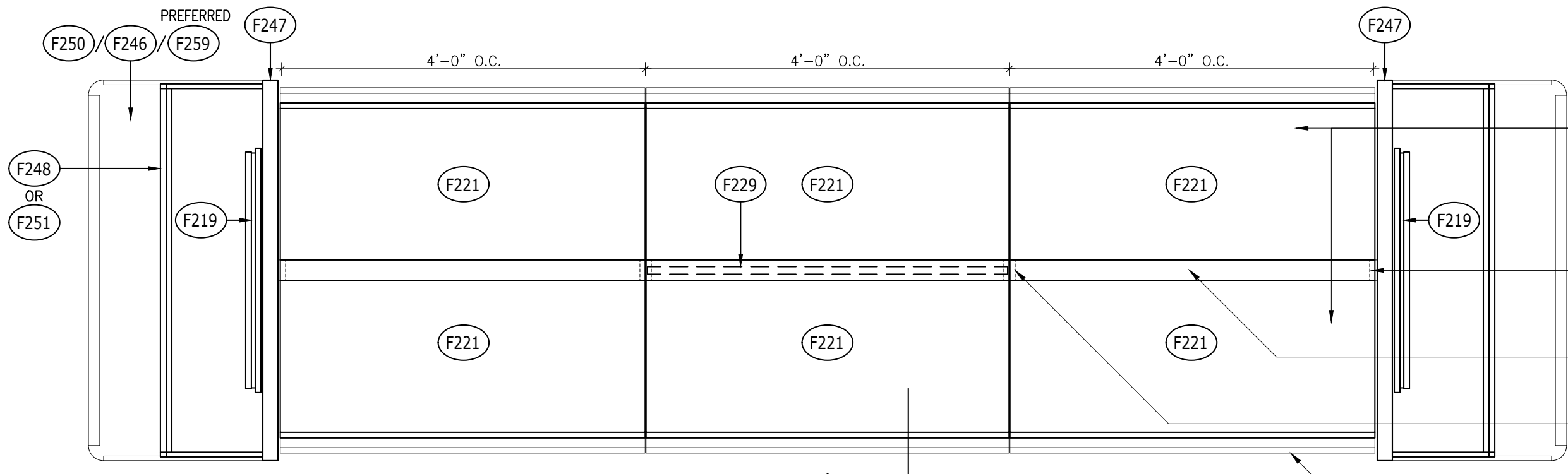
LCBO

200 GENERAL LIST
REMOVABLE GONDOLA P.O.P FRAME

REVISION DATE	REV.	1 of 1	ISSUE DATE	STORE TYPE	STORE #
2019 APR	16	F219	2021 APR		

RESERVED

LCBO	200 GENERAL LIST	REVISION DATE	REV.		ISSUE DATE	STORE TYPE	STORE #
		2019 APR	16	F220	2021 APR		



HEAVY DUTY METAL SHELVING C/W ANGLED METAL TICKET HOLDERS TO ACCOMMODATE STANDARD LCBO 1" HIGH PAPER TICKETS AT ALL SHELVES (SEE DETAIL 4, F221) ON H.D. METAL BRACKETS ALL IN FIN. (16A)

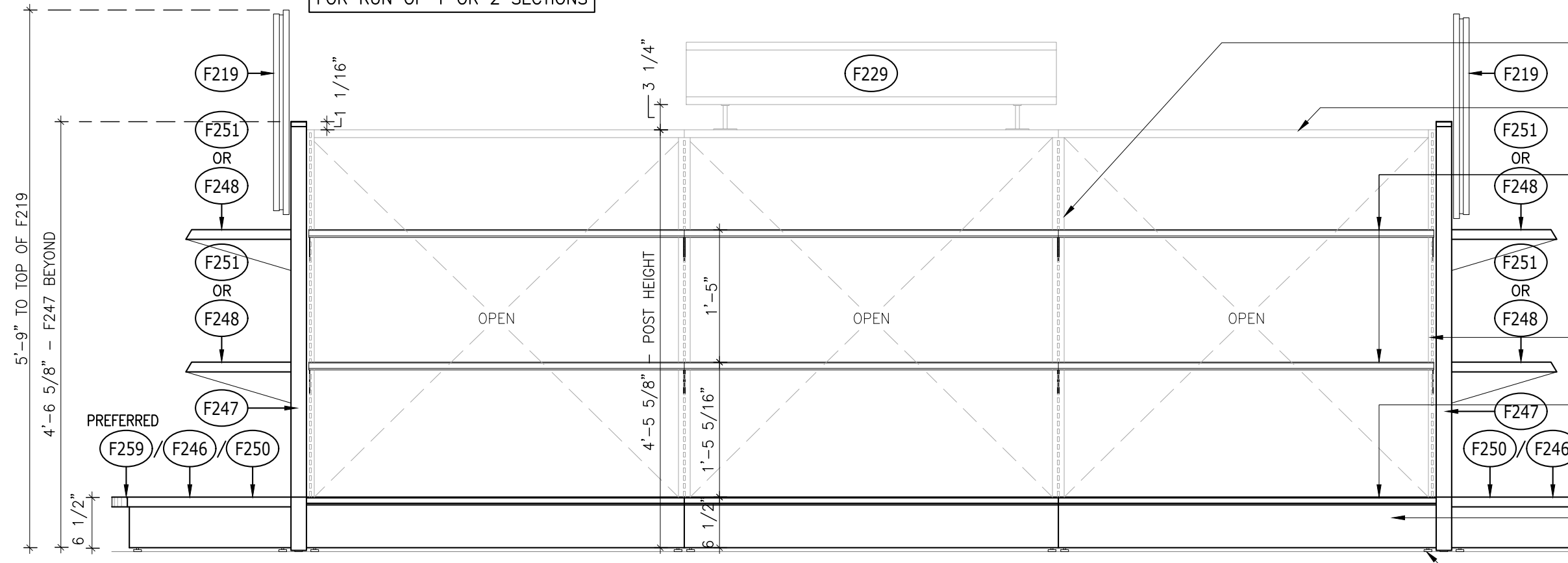
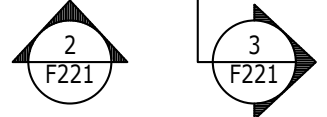
ALL END POSTS TO BE MODIFIED AS REQUIRED TO ENSURE THAT THERE ARE NO GAPS BETWEEN METAL SHELVES AND END GABLES (FILLER STRIPS ARE NOT ACCEPTABLE)

48" METAL TOP CAP FIN. (16A) (14 GAUGE MINIMUM)

2 3/4" x 1 1/2" x 53 5/8" HIGH HEAVY DUTY SLOTTED METAL POST (SLOTS AT 1" O.C. TYP.) FIN. NO. (16A)

1 PLAN
F221 3/4" = 1'-0"

NOTE:
METAL SHELVING SUPPLIER TO PROVIDE OPTIONAL 'X' BRACE FOR RUN OF 1 OR 2 SECTIONS



2 3/4" x 1 1/2" x 53 5/8" HIGH HEAVY DUTY SLOTTED METAL POST (SLOTS AT 1" O.C. TYP.) FIN. NO. (16A)

48" METAL TOP CAP FIN. (16A) (14 GAUGE MINIMUM)

HEAVY DUTY METAL SHELVING C/W ANGLED METAL TICKET HOLDERS TO ACCOMMODATE STANDARD LCBO 1" HIGH PAPER TICKETS AT ALL SHELVES (SEE DETAIL 4, F221) ON H.D. METAL BRACKETS ALL IN FIN. (16A)

ALL END POSTS TO BE MODIFIED AS REQUIRED TO ENSURE THAT THERE ARE NO GAPS BETWEEN METAL SHELVES AND END GABLES (FILLER STRIPS ARE NOT ACCEPTABLE)

ANGLED METAL TICKET HOLDER BY SHELVING CONTRACTOR TO ACCOMMODATE STANDARD LCBO 1" PAPER TICKETS AT BASE (SEE DETAIL 4, F221)

RECESSED METAL BASE FIN. (17)

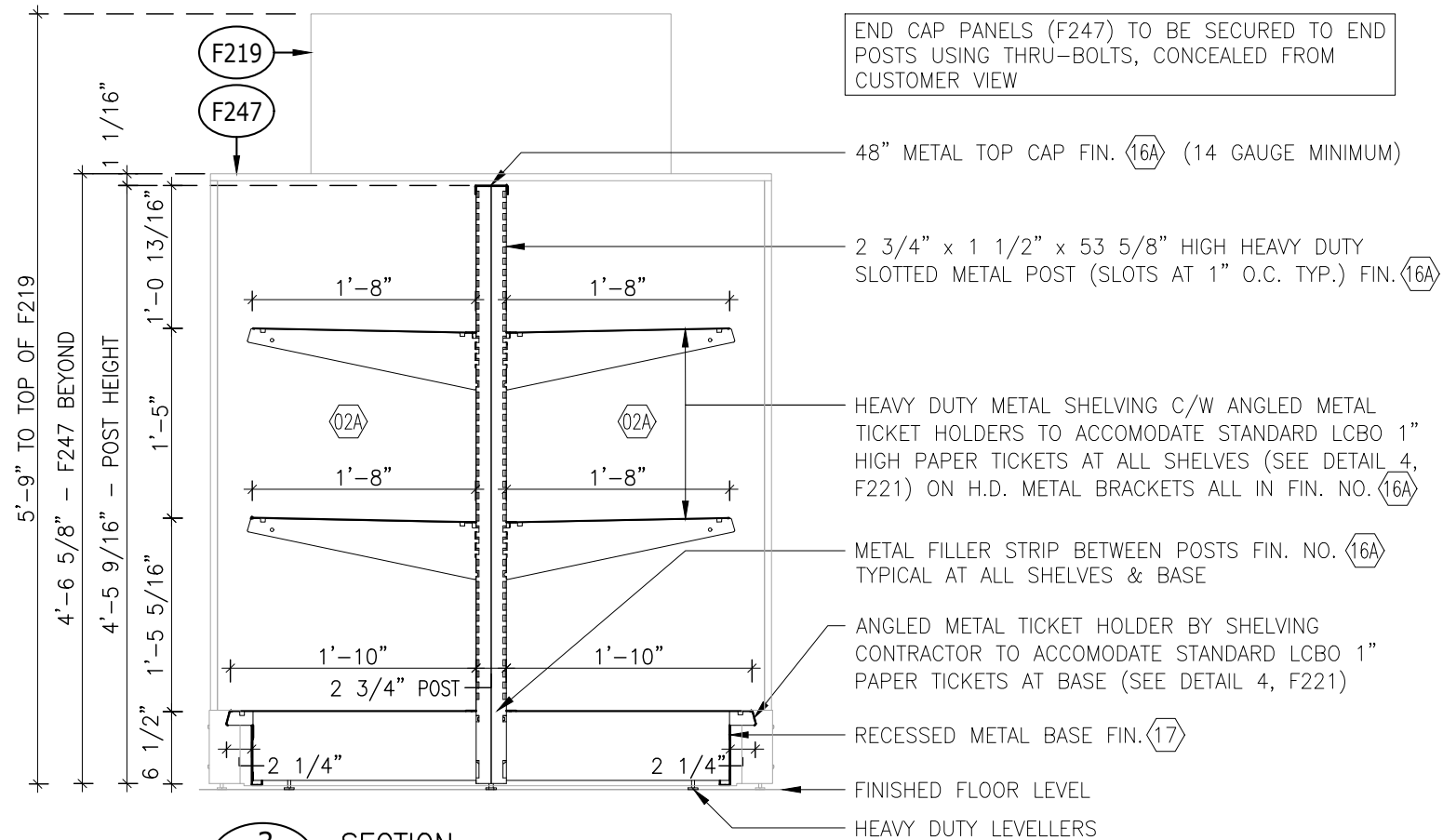
FINISHED FLOOR LEVEL

HEAVY DUTY LEVELLERS

2 ELEVATION
F221 3/4" = 1'-0"

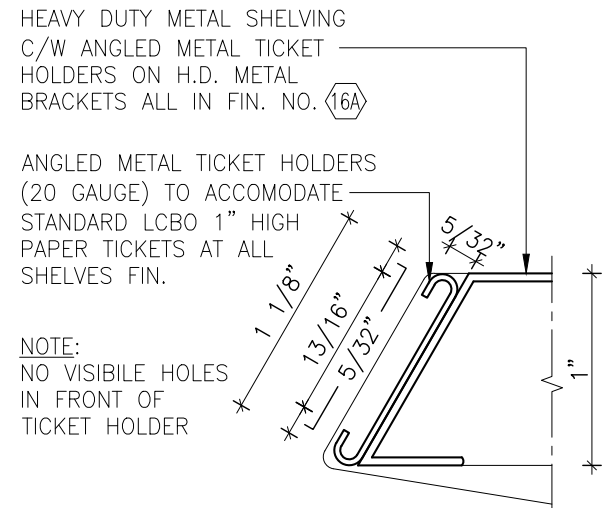
NOTE:
ALL 1" METAL TICKET HOLDERS TO RECEIVE 1 3/4" PLASTIC TICKET HOLDER INSERT TO SPAN LENGTH OF SHELF SECTION. PLASTIC TICKET HOLDERS TO BE SUPPLIED & INSTALLED BY SHELVING SUPPLIER.

LCBO	200 GENERAL LIST	REVISION DATE	REV.	1 of 2	ISSUE DATE	STORE TYPE	STORE #
	4'-0" GONDOLA (3 SHELVES) C/W METAL TICKET MOULDINGS	2021 MAR.	17	F221	2021 APR		



3 SECTION
F221 3/4" = 1'-0"

NOTE:
ALL 1" METAL TICKET HOLDERS TO RECEIVE 1 3/4" PLASTIC TICKET HOLDER INSERT TO SPAN LENGTH OF SHELF SECTION. PLASTIC TICKET HOLDER TO BE SUPPLIED AND INSTALLED BY METAL SHELVING SUPPLIER



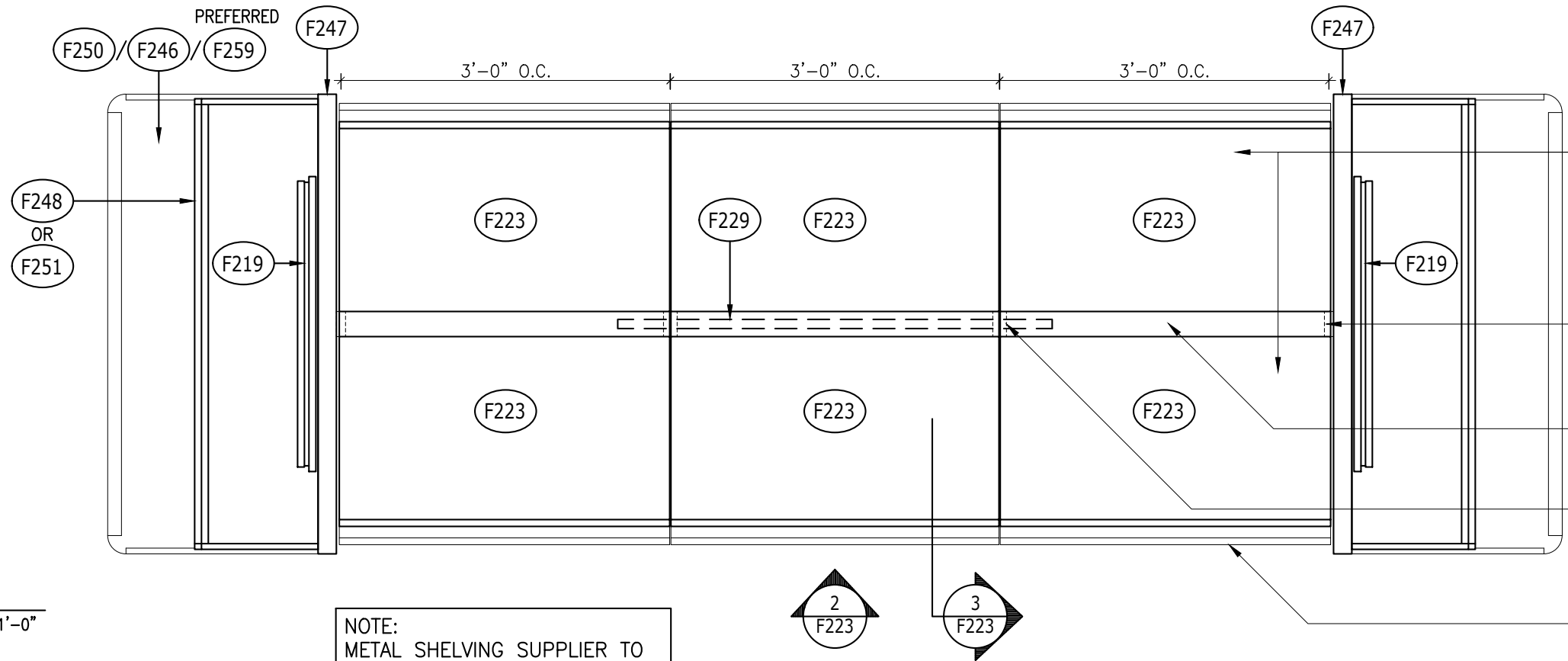
4 ANGLED METAL TICKET HOLDER DETAIL
F221 FULL SCALE

- GENERAL NOTES
- DIMENSIONS SHOWN REFLECT SHELF & BASE DIMENSIONS ONLY & DO NOT TAKE METAL TICKET HOLDERS INTO ACCOUNT
 - ALL ADJUSTMENTS TO COMPENSATE FOR NON-LEVEL FLOOR SURFACES TO BE MADE AT BOTTOM END OF POST
 - GC TO CO-ORDINATE MILLWORK + METAL SHELF INSTALLATION
 - END CAP PANELS (F247) TO BE SECURED TO END POSTS USING THRU-BOLTS, CONCEALED FROM CUSTOMER VIEW
 - SHELVING SUPPLIER TO OBTAIN 1" HIGH PAPER TICKET SAMPLE FROM LCBO PRIOR TO FABRICATION TO ENSURE PROPER FIT WITHIN TICKET MOULDING. SUBMIT SAMPLE FOR APPROVAL
 - GC TO ENSURE ALL SHELVES ARE IN EXACT ALIGNMENT AND ARE TRUE & LEVEL. PERFORATED SHELVES ARE ACCEPTABLE.
 - ALL END POSTS TO BE MODIFIED AS REQUIRED TO ENSURE THAT THERE ARE NO GAPS BETWEEN METAL SHELVES AND END GABLES (FILLER STRIPS ARE NOT ACCEPTABLE)

LCBO	200 GENERAL LIST	REVISION DATE	REV.	2 of 2	ISSUE DATE	STORE TYPE	STORE #
	4'-0" GONDOLA (3 SHELVES) C/W METAL TICKET MOULDINGS	2021 MAR	17	F221	2021 APR		

RESERVED

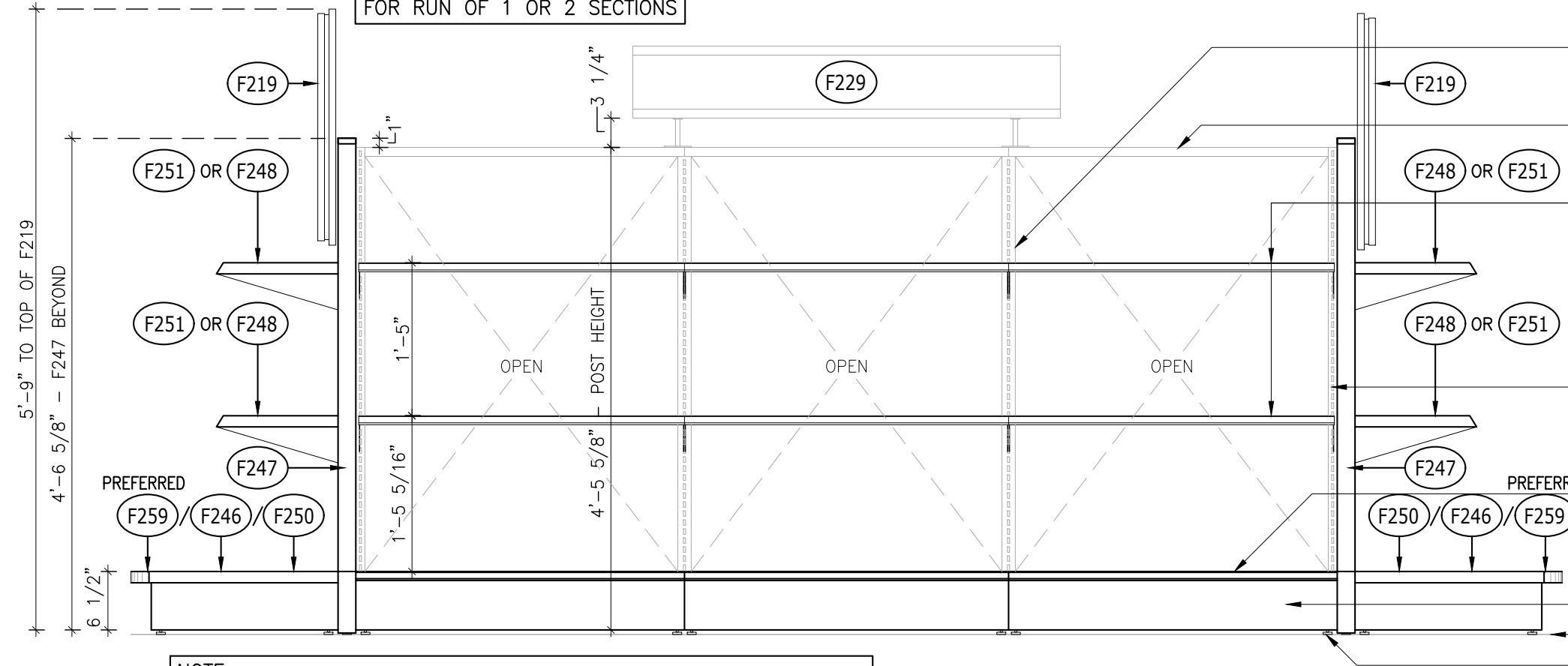
LCBO	200 GENERAL LIST	REVISION DATE	REV.	1 of 1	ISSUE DATE	STORE TYPE	STORE #
		2021 MAR	17	F222	2021 APR		



1 PLAN
F223 3/4" = 1'-0"

NOTE:
METAL SHELVING SUPPLIER TO
PROVIDE OPTIONAL 'X' BRACE
FOR RUN OF 1 OR 2 SECTIONS

- HEAVY DUTY METAL SHELVING C/W ANGLED METAL TICKET HOLDERS TO ACCOMMODATE STANDARD LCBO 1" HIGH PAPER TICKETS AT ALL SHELVES (SEE DETAIL 4, F223) ON H.D. METAL BRACKETS ALL IN FIN. (16A)
- ALL END POSTS TO BE MODIFIED AS REQUIRED TO ENSURE THAT THERE ARE NO GAPS BETWEEN METAL SHELVES AND END GABLES (FILLER STRIPS ARE NOT ACCEPTABLE)
- 36" METAL TOP CAP FIN. (16A) (14 GAUGE MINIMUM)
- 2 3/4" x 1 1/2" x 53 5/8" HIGH HEAVY DUTY SLOTTED METAL POST (SLOTS AT 1" O.C. TYP.) FIN. NO. (16A)
- ANGLED METAL TICKET HOLDER BY SHELVING CONTRACTOR TO ACCOMMODATE STANDARD LCBO 1" PAPER TICKETS AT BASE (SEE DETAIL 4, F223)

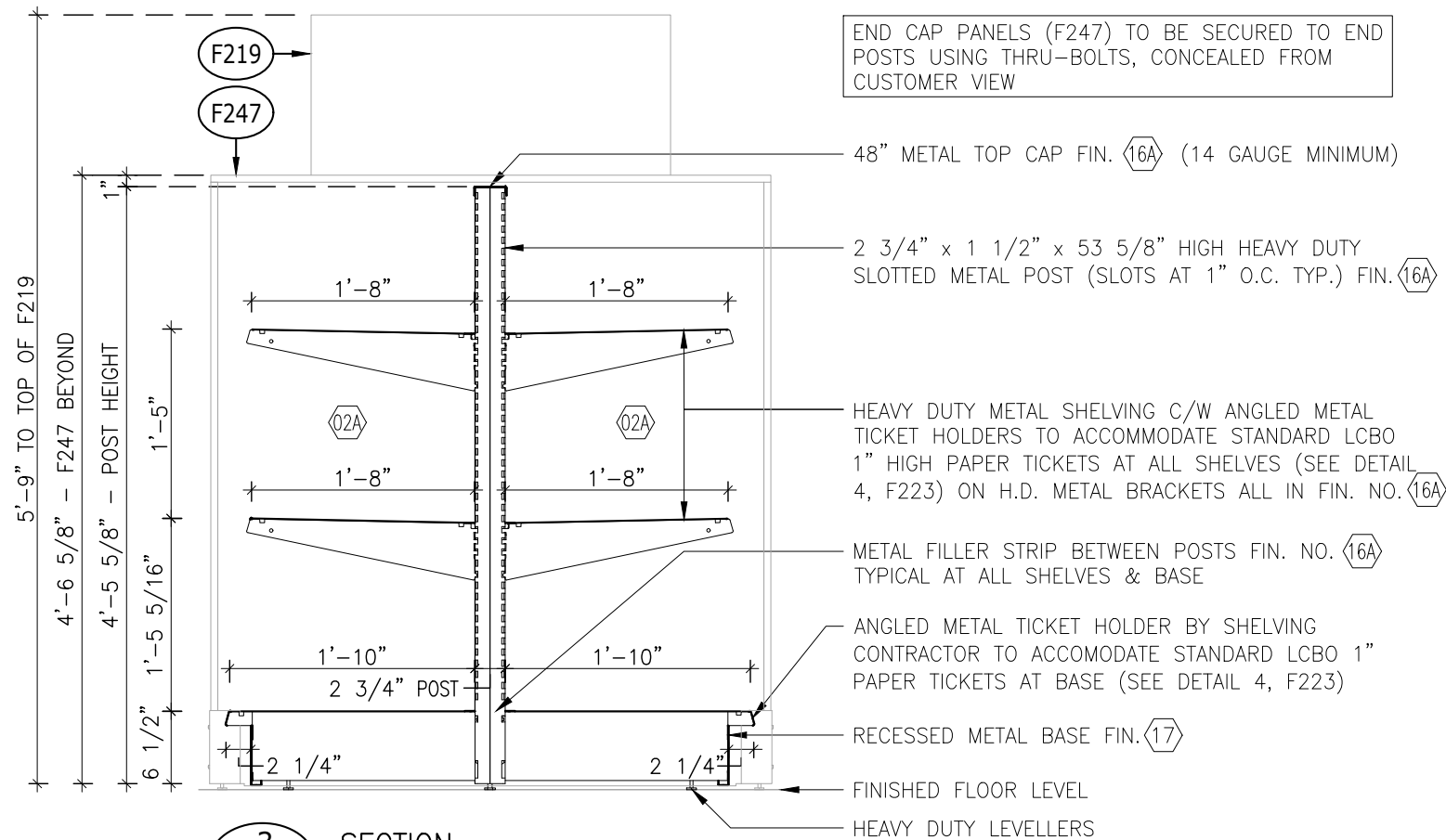


2 ELEVATION
F223 3/4" = 1'-0"

NOTE:
ALL 1" METAL TICKET HOLDERS TO RECEIVE 1 3/4" PLASTIC TICKET HOLDER INSERT TO SPAN LENGTH OF SHELF SECTION. PLASTIC TICKET HOLDERS TO BE SUPPLIED & INSTALLED BY SHELVING SUPPLIER.

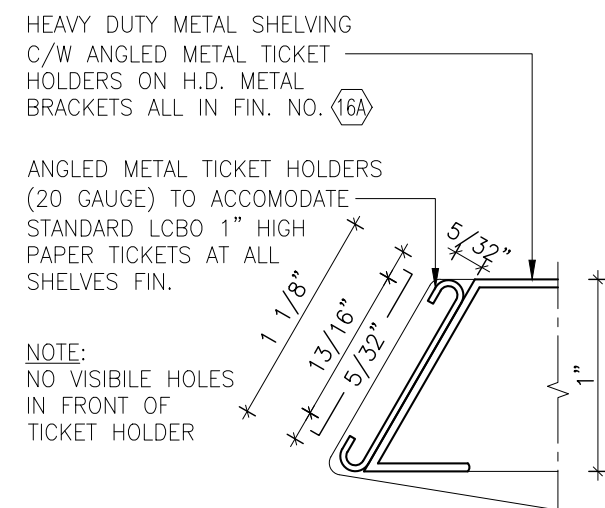
- 2 3/4" x 1 1/2" x 53 5/8" HIGH HEAVY DUTY SLOTTED METAL POST (SLOTS AT 1" O.C. TYP.) FIN. NO. (16A)
- 36" METAL TOP CAP FIN. (16A) (14 GAUGE MINIMUM)
- HEAVY DUTY METAL SHELVING C/W ANGLED METAL TICKET HOLDERS TO ACCOMMODATE STANDARD LCBO 1" HIGH PAPER TICKETS AT ALL SHELVES (SEE DETAIL 4, F223) ON H.D. METAL BRACKETS ALL IN FIN. (16A)
- ALL END POSTS TO BE MODIFIED AS REQUIRED TO ENSURE THAT THERE ARE NO GAPS BETWEEN METAL SHELVES AND END GABLES (FILLER STRIPS ARE NOT ACCEPTABLE)
- ANGLED METAL TICKET HOLDER BY SHELVING CONTRACTOR TO ACCOMMODATE STANDARD LCBO 1" PAPER TICKETS AT BASE (SEE DETAIL 4, F223)
- RECESSED METAL BASE FIN. (17)
- FINISHED FLOOR LEVEL
- HEAVY DUTY LEVELLERS

LCBO	200 GENERAL LIST	REVISION DATE	REV.	1 of 2	ISSUE DATE	STORE TYPE	STORE #
	3'-0" GONDOLA (3 SHELVES) C/W METAL TICKET MOULDINGS	2021 MAR	17	F223	2021 APR		



3 SECTION
F223 3/4" = 1'-0"

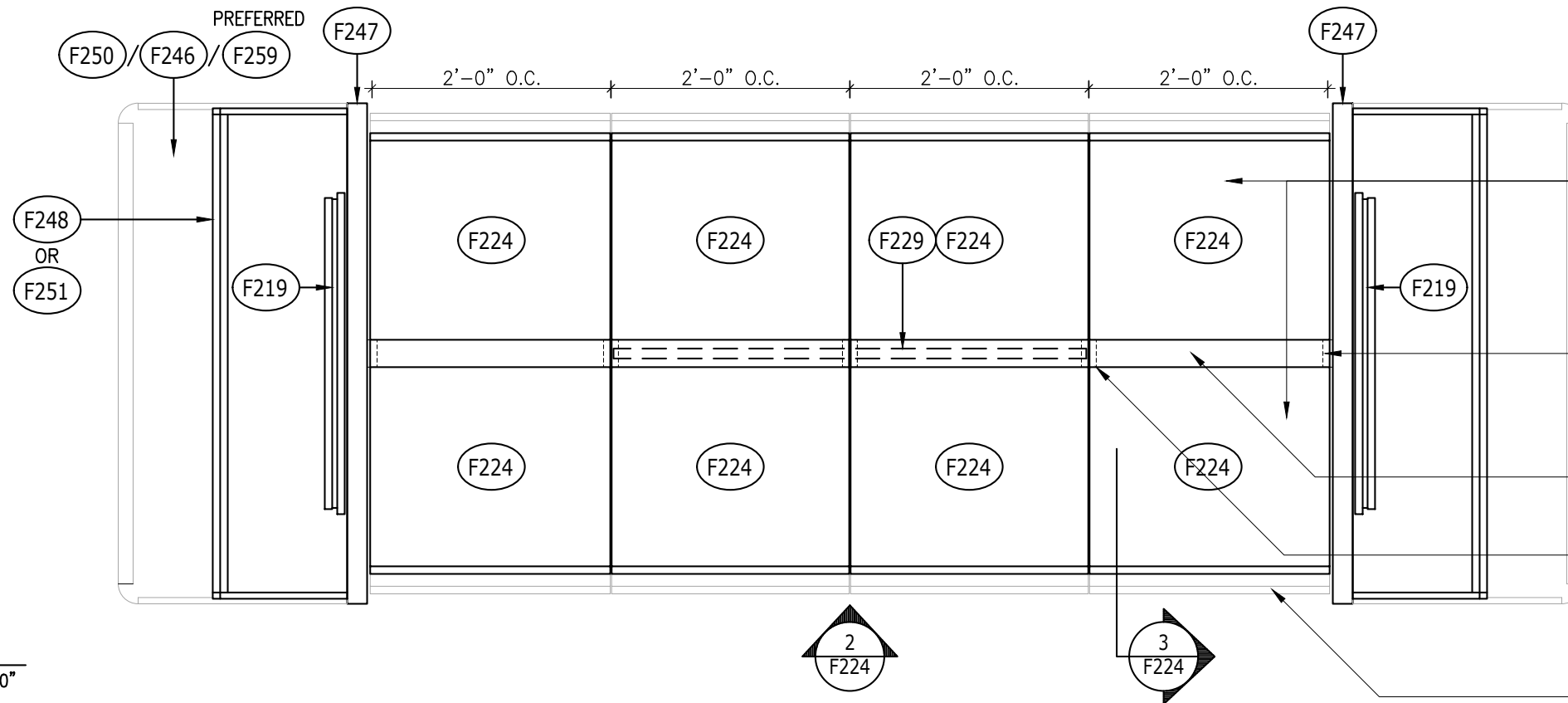
NOTE: ALL 1" METAL TICKET HOLDERS TO RECEIVE 1 3/4" PLASTIC TICKET HOLDER INSERT TO SPAN LENGTH OF SHELF SECTION TO BE SUPPLIED & INSTALLED BY SHELVING SUPPLIER



4 ANGLED METAL TICKET HOLDER DETAIL
F223 FULL SCALE

- GENERAL NOTES
- DIMENSIONS SHOWN REFLECT SHELF & BASE DIMENSIONS ONLY & DO NOT TAKE METAL TICKET HOLDERS INTO ACCOUNT
 - ALL ADJUSTMENTS TO COMPENSATE FOR NON-LEVEL FLOOR SURFACES TO BE MADE AT BOTTOM END OF POST
 - GC TO CO-ORDINATE MILLWORK + METAL SHELF INSTALLATION
 - END CAP PANELS (F247) TO BE SECURED TO END POSTS USING THRU-BOLTS, CONCEALED FROM CUSTOMER VIEW
 - SHELVING SUPPLIER TO OBTAIN 1" HIGH PAPER TICKET SAMPLE FROM LCBO PRIOR TO FABRICATION TO ENSURE PROPER FIT WITHIN TICKET MOULDING. SUBMIT SAMPLE FOR APPROVAL
 - GC TO ENSURE ALL SHELVES ARE IN EXACT ALIGNMENT AND ARE TRUE & LEVEL. PERFORATED SHELVES ARE ACCEPTABLE.
 - ALL END POSTS TO BE MODIFIED AS REQUIRED TO ENSURE THAT THERE ARE NO GAPS BETWEEN METAL SHELVES AND END GABLES (FILLER STRIPS ARE NOT ACCEPTABLE)

LCBO	200 GENERAL LIST	REVISION DATE	REV.	2 of 2	ISSUE DATE	STORE TYPE	STORE #
	3'-0" GONDOLA (3 SHELVES) C/W METAL TICKET MOULDINGS	2021 MAR	17	F223	2021 APR		



HEAVY DUTY METAL SHELVING C/W ANGLED METAL TICKET HOLDERS TO ACCOMMODATE STANDARD LCBO 1" HIGH PAPER TICKETS AT ALL SHELVES (SEE DETAIL 4, F224) ON H.D. METAL BRACKETS ALL IN FIN. (16A)

ALL END POSTS TO BE MODIFIED AS REQUIRED TO ENSURE THAT THERE ARE NO GAPS BETWEEN METAL SHELVES AND END GABLES (FILLER STRIPS ARE NOT ACCEPTABLE)

METAL TOP CAP FIN. NO. (16A) (14 GAUGE MINIMUM)

2 3/4" x 1 1/2" x 54 5/8" HIGH HEAVY DUTY SLOTTED METAL POST (SLOTS AT 1" O.C. TYP.) FIN. NO. (16A)

ANGLED METAL TICKET HOLDER BY SHELVING CONTRACTOR TO ACCOMMODATE STANDARD LCBO 1" PAPER TICKETS AT BASE (SEE DETAIL 4, F224)

METAL TOP CAP FIN. (16A) (14 GAUGE MIN.)

2 3/4" x 1 1/2" x 54 5/8" HIGH HEAVY DUTY SLOTTED METAL POST (SLOTS AT 1" O.C. TYP.) COMPLETE WITH 2 3/4" FULL HEIGHT METAL DIVIDER PANEL BETWEEN POSTS ALL IN FIN. NO. (16A)

HEAVY DUTY METAL SHELVING C/W ANGLED METAL TICKET HOLDERS TO ACCOMMODATE STANDARD LCBO 1" HIGH PAPER TICKETS AT ALL SHELVES (SEE DETAIL 4, F224) ON H.D. METAL BRACKETS ALL IN FIN. (16A)

ALL END POSTS TO BE MODIFIED AS REQUIRED TO ENSURE THAT THERE ARE NO GAPS BETWEEN METAL SHELVES AND END GABLES (FILLER STRIPS ARE NOT ACCEPTABLE)

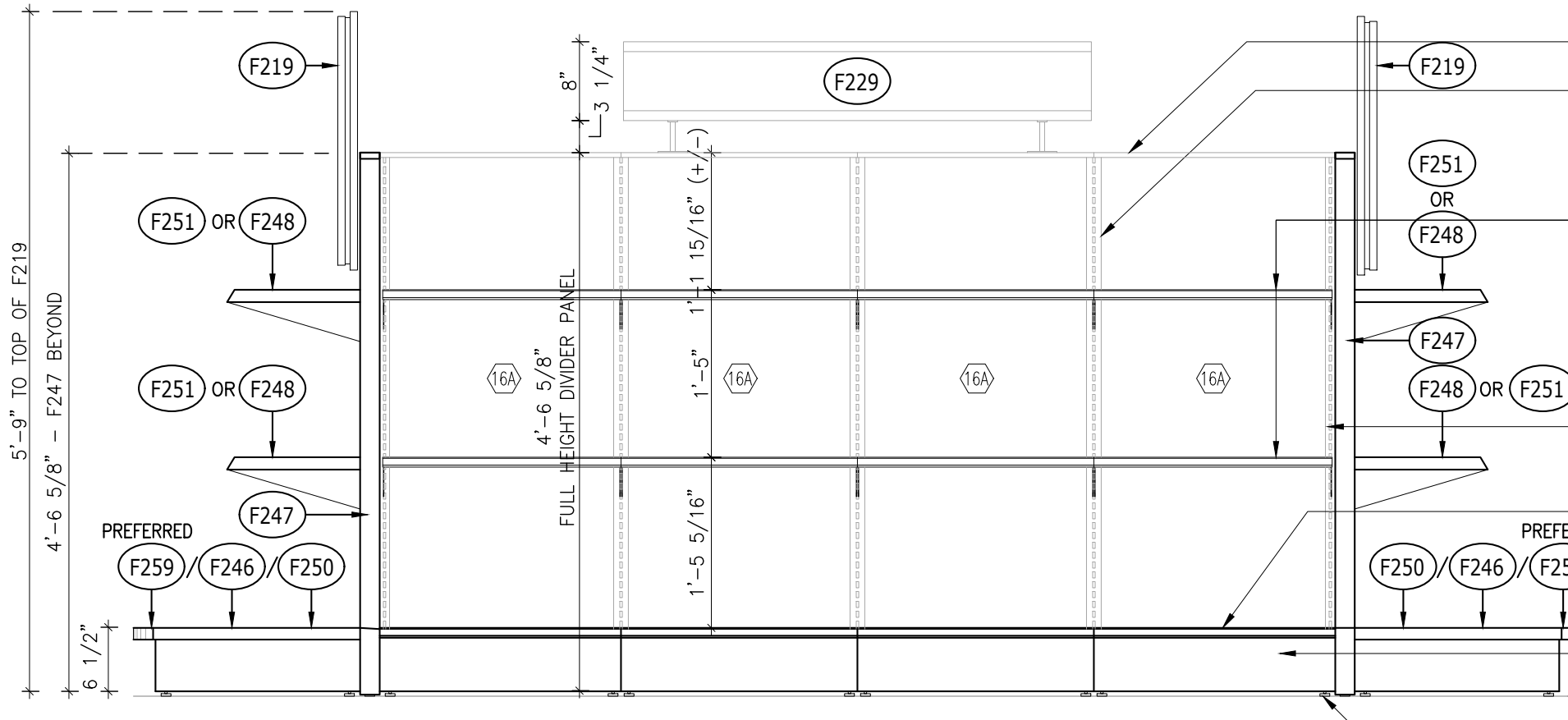
ANGLED METAL TICKET HOLDER BY SHELVING CONTRACTOR TO ACCOMMODATE STANDARD LCBO 1" PAPER TICKETS AT BASE (SEE DETAIL 4, F224)

RECESSED METAL BASE FIN. (17)

FINISHED FLOOR LEVEL

HEAVY DUTY LEVELLERS

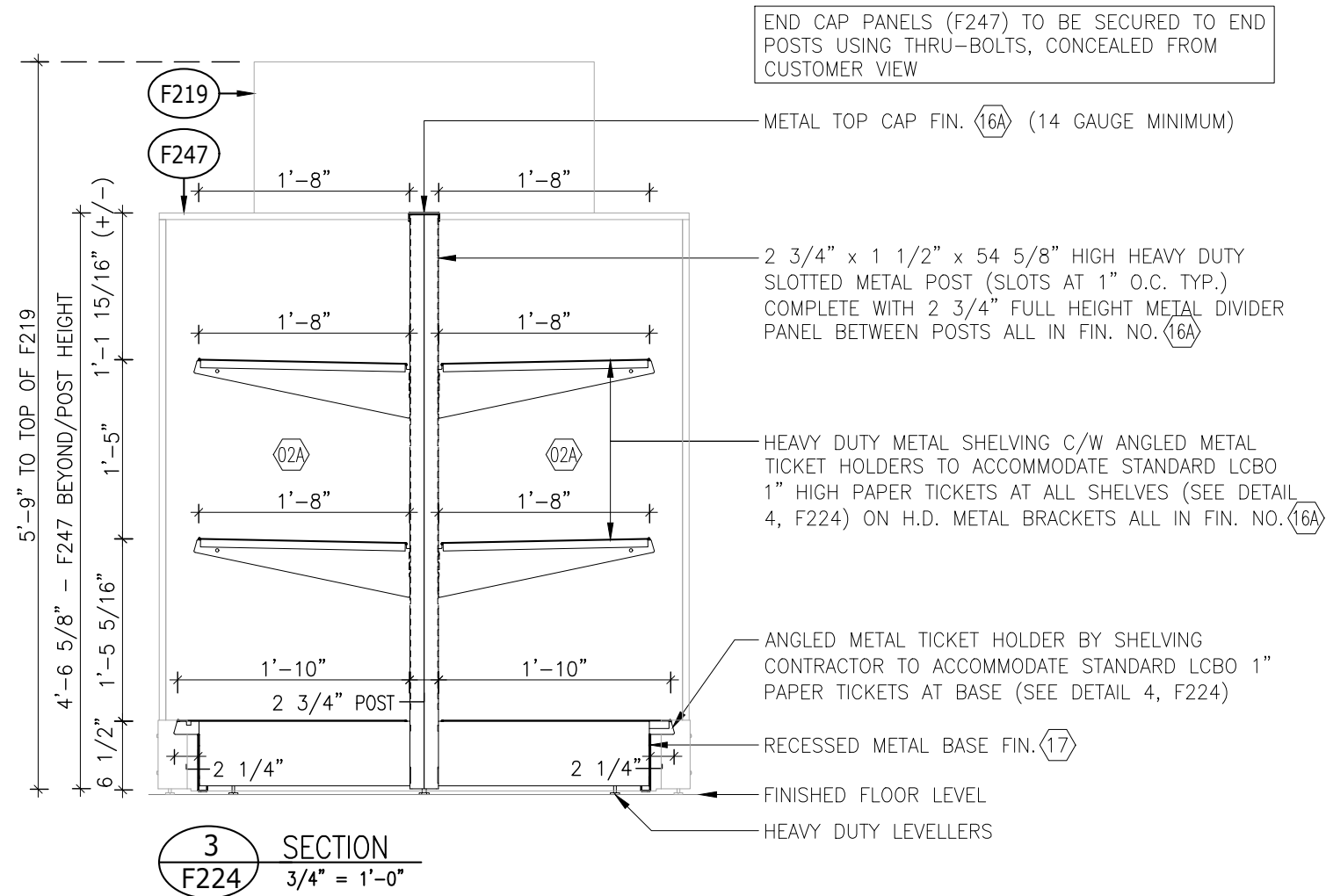
1 PLAN
F224 3/4" = 1'-0"



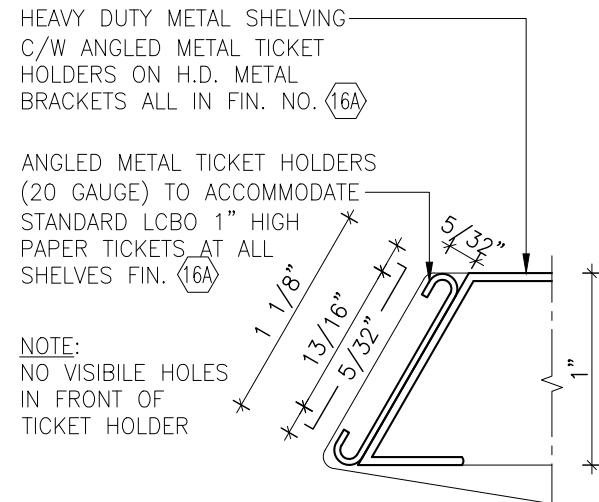
2 ELEVATION
F224 3/4" = 1'-0"

NOTE:
ALL 1" METAL TICKET HOLDERS TO RECEIVE 1 3/4" PLASTIC TICKET HOLDER INSERT TO SPAN LENGTH OF SHELF SECTION. PLASTIC TICKET HOLDERS TO BE SUPPLIED & INSTALLED BY SHELVING SUPPLIER.

LCBO	200 GENERAL LIST	REVISION DATE	REV.	1 of 2	ISSUE DATE	STORE TYPE	STORE #
	2'-0" CONVERTIBLE GONDOLA (3 SHELVES) C/W METAL TICKET MOULDINGS	2021 MAR.	17	F224	2021 APR		

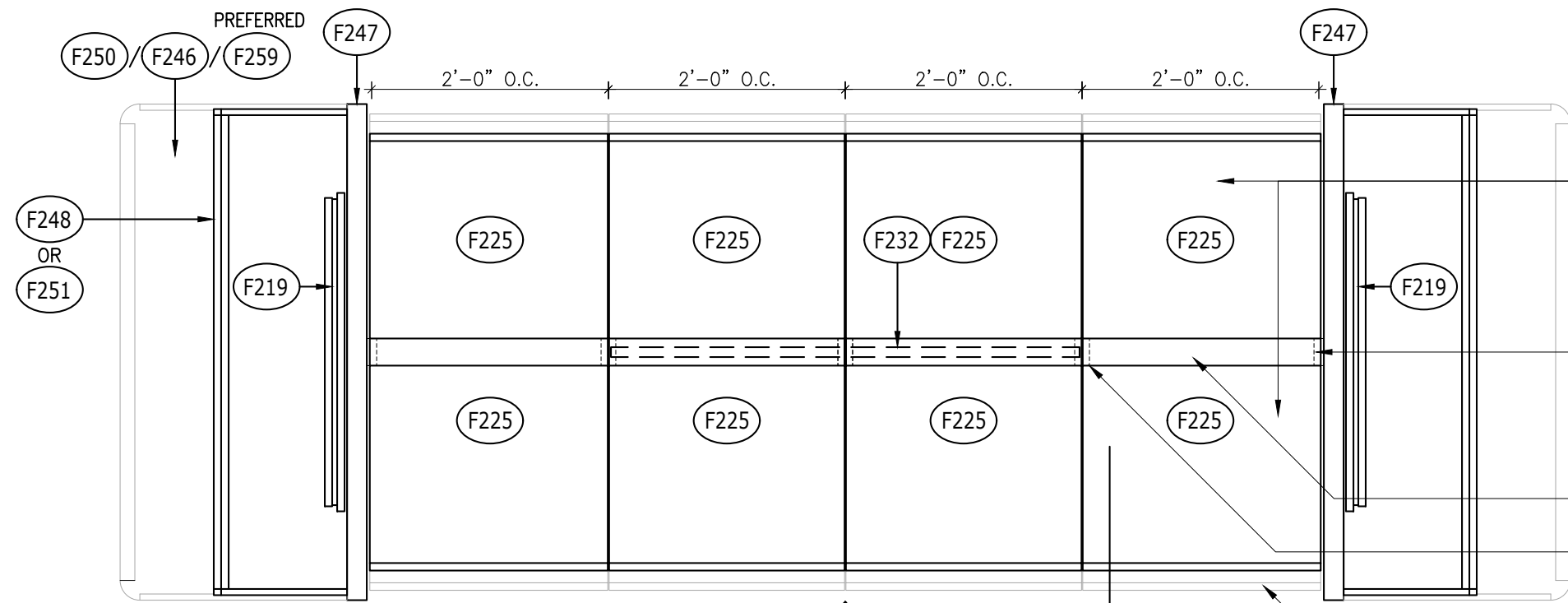


NOTE:
ALL 1" METAL TICKET HOLDERS TO RECEIVE 1 3/4" PLASTIC TICKET HOLDER INSERT TO SPAN LENGTH OF SHELF SECTION. PLASTIC TICKET HOLDER TO BE SUPPLIED & INSTALLED BY METAL SHELVING SUPPLIER



- GENERAL NOTES
- DIMENSIONS SHOWN REFLECT SHELF & BASE DIMENSIONS ONLY & DO NOT TAKE METAL TICKET HOLDERS INTO ACCOUNT
 - ALL ADJUSTMENTS TO COMPENSATE FOR NON-LEVEL FLOOR SURFACES TO BE MADE AT BOTTOM END OF POST
 - GC TO CO-ORDINATE MILLWORK + METAL SHELF INSTALLATION
 - END CAP PANELS (F247) TO BE SECURED TO END POSTS USING THRU-BOLTS, CONCEALED FROM CUSTOMER VIEW
 - SHELVING SUPPLIER TO OBTAIN 1" HIGH PAPER TICKET SAMPLE FROM LCBO PRIOR TO FABRICATION TO ENSURE PROPER FIT WITHIN TICKET MOULDING. SUBMIT SAMPLE FOR APPROVAL
 - GC TO ENSURE ALL SHELVES ARE IN EXACT ALIGNMENT AND ARE TRUE & LEVEL. PERFORATED SHELVES ARE ACCEPTABLE.
 - ALL END POSTS TO BE MODIFIED AS REQUIRED TO ENSURE THAT THERE ARE NO GAPS BETWEEN METAL SHELVES AND END GABLES (FILLER STRIPS ARE NOT ACCEPTABLE)

LCBO	200 GENERAL LIST	REVISION DATE	REV.	2 of 2	ISSUE DATE	STORE TYPE	STORE #
	2'-0" CONVERTIBLE GONDOLA (3 SHELVES) C/W METAL TICKET MOULDINGS	2021 MAR.	17	F224	2021 APR		



1 PLAN
F225 3/4" = 1'-0"

HEAVY DUTY METAL SHELVING C/W ANGLED METAL TICKET HOLDERS TO ACCOMMODATE STANDARD LCBO 1" HIGH PAPER TICKETS AT ALL SHELVES (SEE DETAIL 4, F225) ON H.D. METAL BRACKETS ALL IN FIN. (16A)

ALL END POSTS TO BE MODIFIED AS REQUIRED TO ENSURE THAT THERE ARE NO GAPS BETWEEN METAL SHELVES AND END GABLES (FILLER STRIPS ARE NOT ACCEPTABLE)

METAL TOP CAP FIN. NO. (16A) (14 GAUGE MINIMUM)

2 3/4" x 1 1/2" x 54 5/8" HIGH HEAVY DUTY SLOTTED METAL POST (SLOTS AT 1" O.C. TYP.) FIN. NO. (16A)

ANGLED METAL TICKET HOLDER BY SHELVING CONTRACTOR TO ACCOMMODATE STANDARD LCBO 1" PAPER TICKETS AT BASE (SEE DETAIL 4, F225)

METAL TOP CAP FIN. (16A) (14 GAUGE MIN.)

2 3/4" x 1 1/2" x 54 5/8" HIGH HEAVY DUTY SLOTTED METAL POST (SLOTS AT 1" O.C. TYP.) COMPLETE WITH 2 3/4" FULL HEIGHT METAL DIVIDER PANEL BETWEEN POSTS ALL IN FIN. NO. (16A)

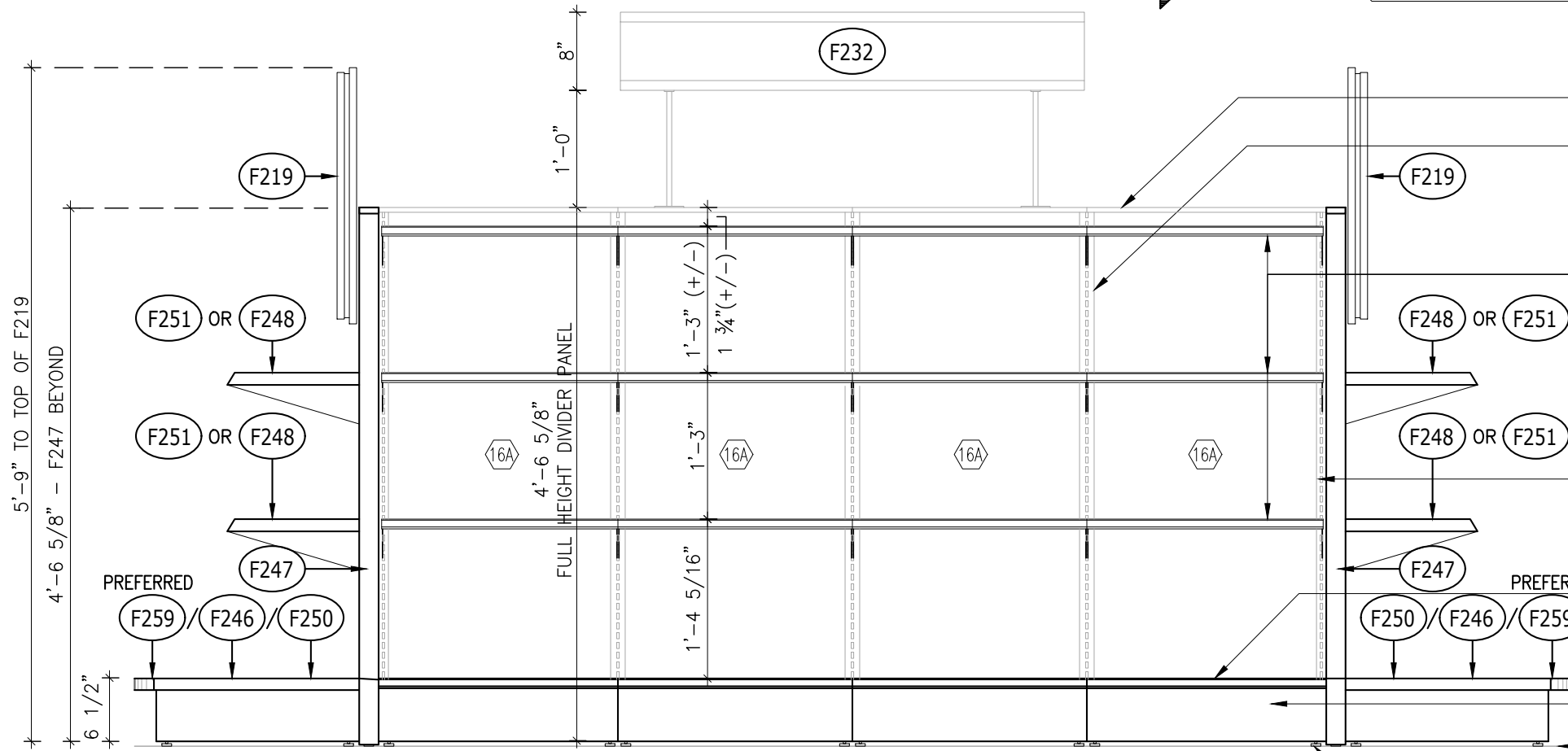
HEAVY DUTY METAL SHELVING C/W ANGLED METAL TICKET HOLDERS TO ACCOMMODATE STANDARD LCBO 1" HIGH PAPER TICKETS AT ALL SHELVES (SEE DETAIL 4, F225) ON H.D. METAL BRACKETS ALL IN FIN. (16A)

ALL END POSTS TO BE MODIFIED AS REQUIRED TO ENSURE THAT THERE ARE NO GAPS BETWEEN METAL SHELVES AND END GABLES (FILLER STRIPS ARE NOT ACCEPTABLE)

ANGLED METAL TICKET HOLDER BY SHELVING CONTRACTOR TO ACCOMMODATE STANDARD LCBO 1" PAPER TICKETS AT BASE (SEE DETAIL 4, F225)

RECESSED METAL BASE FIN. (17)

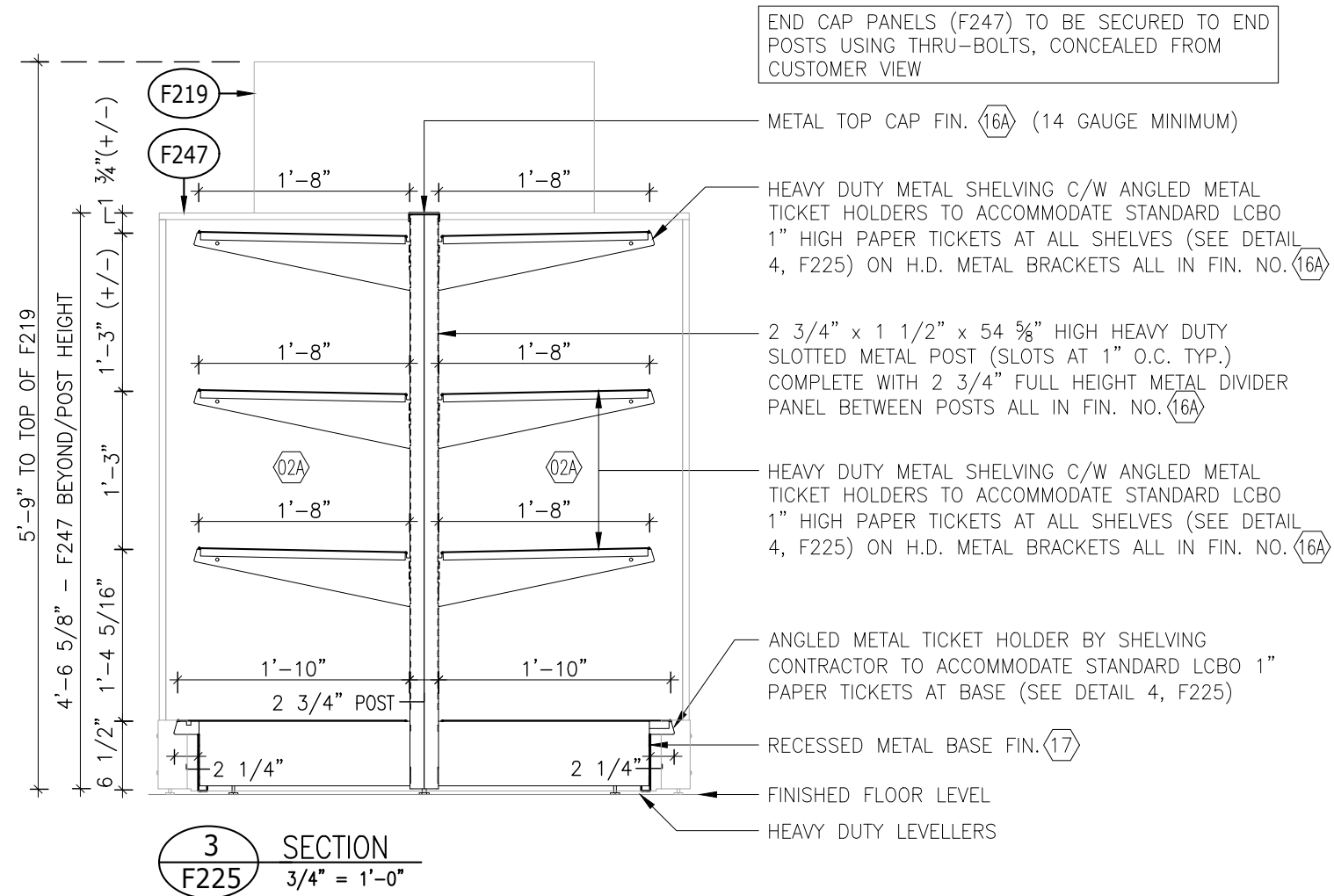
FINISHED FLOOR LEVEL
HEAVY DUTY LEVELLERS



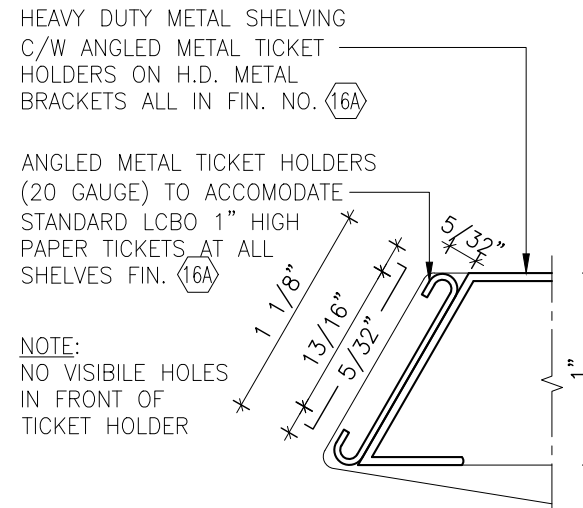
2 ELEVATION
F225 3/4" = 1'-0"

NOTE:
ALL 1" METAL TICKET HOLDERS TO RECEIVE 1 3/4" PLASTIC TICKET HOLDER INSERT TO SPAN LENGTH OF SHELF SECTION. PLASTIC TICKET HOLDERS TO BE SUPPLIED & INSTALLED BY SHELVING SUPPLIER.

LCBO	200 GENERAL LIST	REVISION DATE	REV.	1 of 2	ISSUE DATE	STORE TYPE	STORE #
	2'-0" CONVERTIBLE GONDOLA (4 SHELVES) C/W METAL TICKET MOULDINGS	2021 MAR.	17	F225	2021 APR		



NOTE:
ALL 1" METAL TICKET HOLDERS TO RECEIVE 1 3/4" PLASTIC TICKET HOLDER INSERT TO SPAN LENGTH OF SHELF SECTION. PLASTIC TICKET HOLDER TO BE SUPPLIED & INSTALLED BY METAL SHELVING SUPPLIER

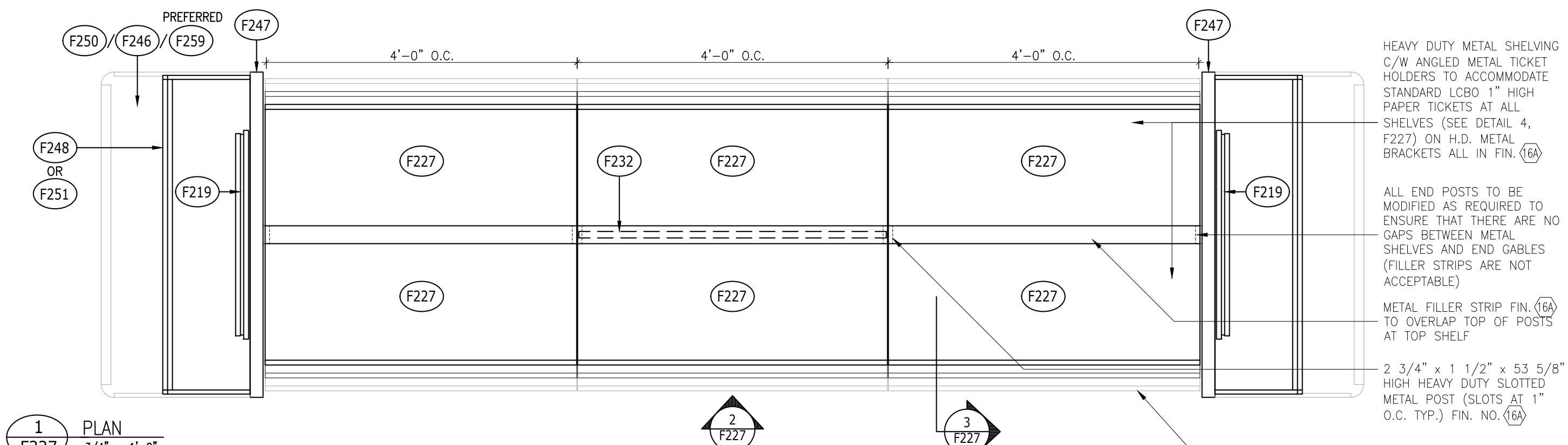


- GENERAL NOTES
- DIMENSIONS SHOWN REFLECT SHELF & BASE DIMENSIONS ONLY & DO NOT TAKE METAL TICKET HOLDERS INTO ACCOUNT
 - ALL ADJUSTMENTS TO COMPENSATE FOR NON-LEVEL FLOOR SURFACES TO BE MADE AT BOTTOM END OF POST
 - GC TO CO-ORDINATE MILLWORK + METAL SHELF INSTALLATION
 - END CAP PANELS (F247) TO BE SECURED TO END POSTS USING THRU-BOLTS, CONCEALED FROM CUSTOMER VIEW
 - SHELVING SUPPLIER TO OBTAIN 1" HIGH PAPER TICKET SAMPLE FROM LCBO PRIOR TO FABRICATION TO ENSURE PROPER FIT WITHIN TICKET MOULDING. SUBMIT SAMPLE FOR APPROVAL
 - GC TO ENSURE ALL SHELVES ARE IN EXACT ALIGNMENT AND ARE TRUE & LEVEL. PERFORATED SHELVES ARE ACCEPTABLE.
 - ALL END POSTS TO BE MODIFIED AS REQUIRED TO ENSURE THAT THERE ARE NO GAPS BETWEEN METAL SHELVES AND END GABLES (FILLER STRIPS ARE NOT ACCEPTABLE)

LCBO	200 GENERAL LIST	REVISION DATE	REV.	2 of 2	ISSUE DATE	STORE TYPE	STORE #
	2'-0" CONVERTIBLE GONDOLA (4 SHELVES) C/W METAL TICKET MOULDINGS	2021 MAR.	17	F225	2021 APR		

RESERVED

LCBO	200 GENERAL LIST	REVISION DATE	REV.	1 of 1	ISSUE DATE	STORE TYPE	STORE #
		2017 NOV	15	F226	2021 APR		



1 PLAN
F227 3/4" = 1'-0"

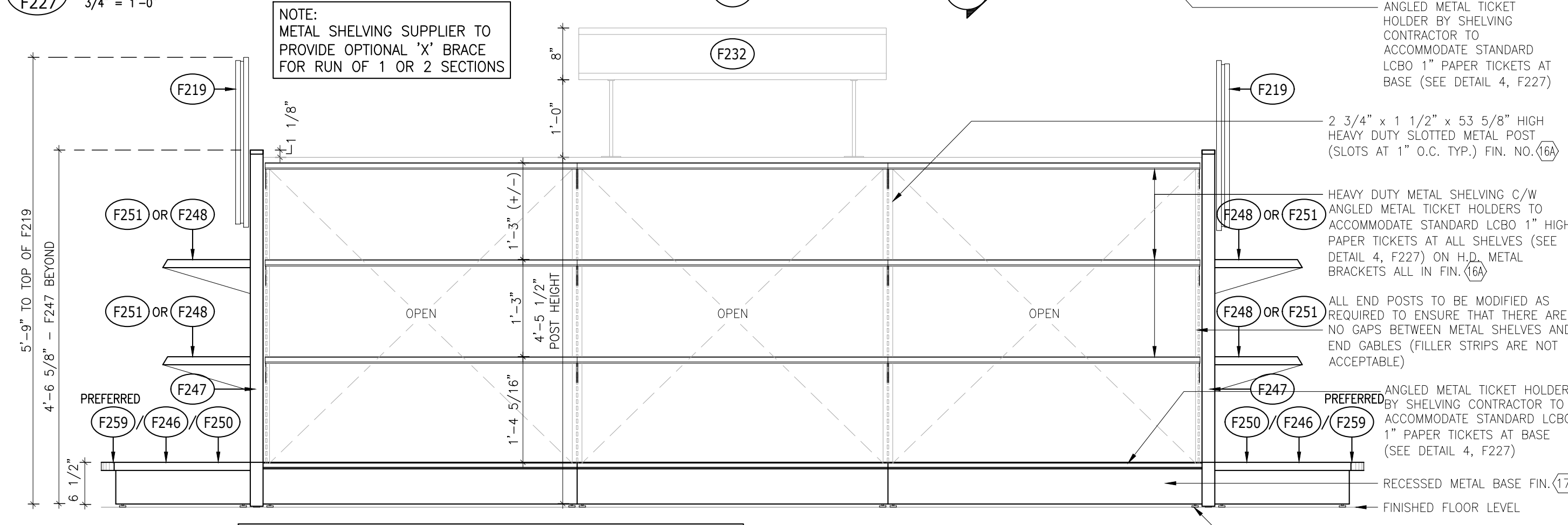
HEAVY DUTY METAL SHELVING C/W ANGLED METAL TICKET HOLDERS TO ACCOMMODATE STANDARD LCBO 1" HIGH PAPER TICKETS AT ALL SHELVES (SEE DETAIL 4, F227) ON H.D. METAL BRACKETS ALL IN FIN. 16A

ALL END POSTS TO BE MODIFIED AS REQUIRED TO ENSURE THAT THERE ARE NO GAPS BETWEEN METAL SHELVES AND END GABLES (FILLER STRIPS ARE NOT ACCEPTABLE)

METAL FILLER STRIP FIN. 16A TO OVERLAP TOP OF POSTS AT TOP SHELF

2 3/4" x 1 1/2" x 53 5/8" HIGH HEAVY DUTY SLOTTED METAL POST (SLOTS AT 1" O.C. TYP.) FIN. NO. 16A

ANGLED METAL TICKET HOLDER BY SHELVING CONTRACTOR TO ACCOMMODATE STANDARD LCBO 1" PAPER TICKETS AT BASE (SEE DETAIL 4, F227)



2 ELEVATION
F227 3/4" = 1'-0"

NOTE:
ALL 1" METAL TICKET HOLDERS TO RECEIVE 1 3/4" PLASTIC TICKET HOLDER INSERT TO SPAN LENGTH OF SHELF SECTION. PLASTIC TICKET HOLDERS TO BE SUPPLIED & INSTALLED BY SHELVING SUPPLIER.

2 3/4" x 1 1/2" x 53 5/8" HIGH HEAVY DUTY SLOTTED METAL POST (SLOTS AT 1" O.C. TYP.) FIN. NO. 16A

HEAVY DUTY METAL SHELVING C/W ANGLED METAL TICKET HOLDERS TO ACCOMMODATE STANDARD LCBO 1" HIGH PAPER TICKETS AT ALL SHELVES (SEE DETAIL 4, F227) ON H.D. METAL BRACKETS ALL IN FIN. 16A

ALL END POSTS TO BE MODIFIED AS REQUIRED TO ENSURE THAT THERE ARE NO GAPS BETWEEN METAL SHELVES AND END GABLES (FILLER STRIPS ARE NOT ACCEPTABLE)

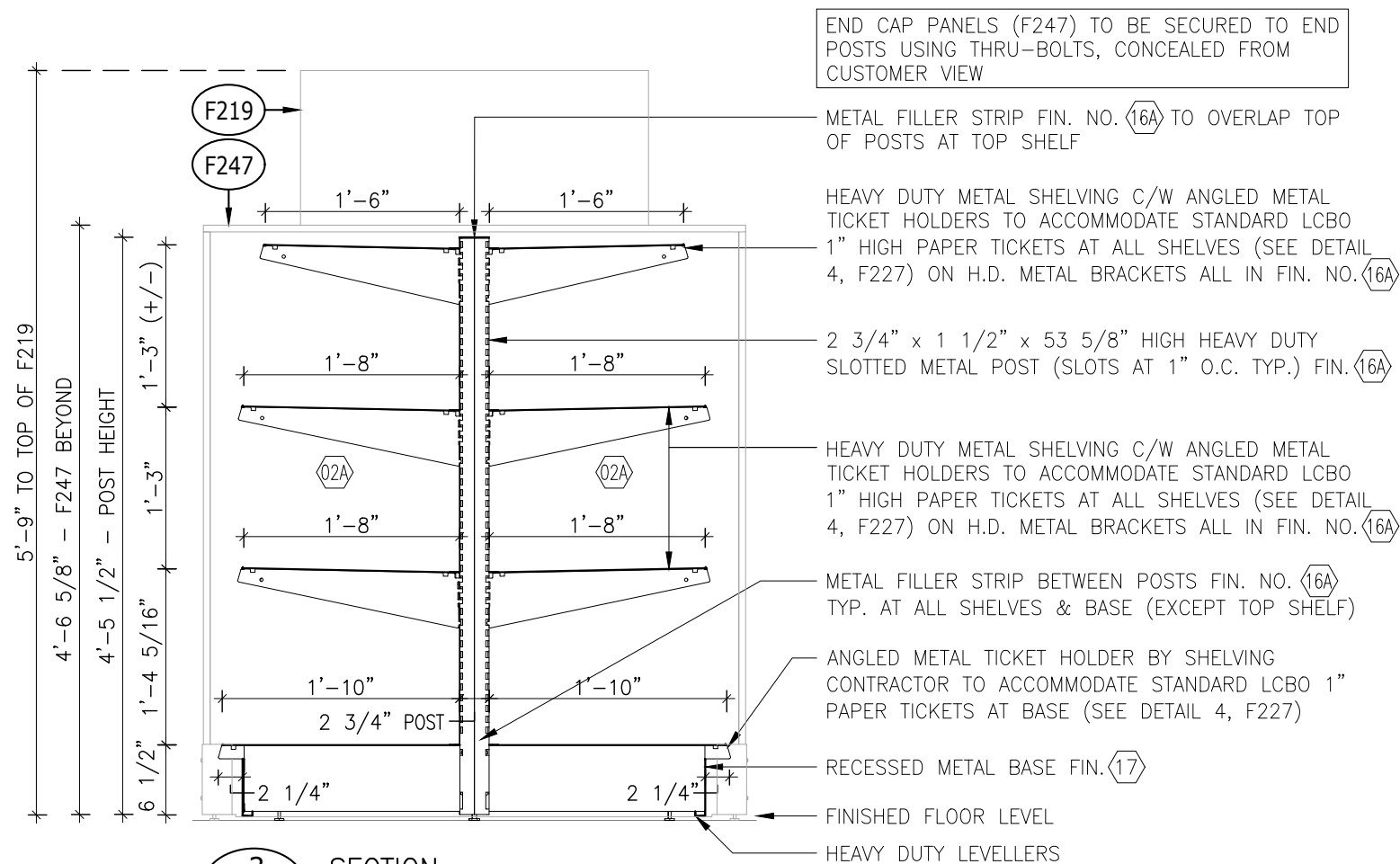
ANGLED METAL TICKET HOLDER BY SHELVING CONTRACTOR TO ACCOMMODATE STANDARD LCBO 1" PAPER TICKETS AT BASE (SEE DETAIL 4, F227)

RECESSED METAL BASE FIN. 17

FINISHED FLOOR LEVEL

HEAVY DUTY LEVELLERS

LCBO	200 GENERAL LIST	REVISION DATE	REV.	1 of 2	ISSUE DATE	STORE TYPE	STORE #
	4'-0" GONDOLA (4 SHELVES) C/W METAL TICKET MOULDINGS	2021 MAR.	17	F227	2021 APR		

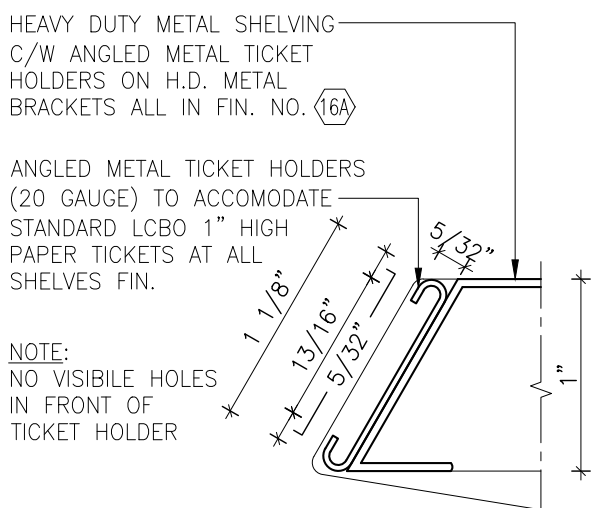


3 SECTION
F227 3/4" = 1'-0"

END CAP PANELS (F247) TO BE SECURED TO END POSTS USING THRU-BOLTS, CONCEALED FROM CUSTOMER VIEW

- METAL FILLER STRIP FIN. NO. (16A) TO OVERLAP TOP OF POSTS AT TOP SHELF
- HEAVY DUTY METAL SHELVING C/W ANGLED METAL TICKET HOLDERS TO ACCOMMODATE STANDARD LCBO 1" HIGH PAPER TICKETS AT ALL SHELVES (SEE DETAIL 4, F227) ON H.D. METAL BRACKETS ALL IN FIN. NO. (16A)
- 2 3/4" x 1 1/2" x 53 5/8" HIGH HEAVY DUTY SLOTTED METAL POST (SLOTS AT 1" O.C. TYP.) FIN. (16A)
- HEAVY DUTY METAL SHELVING C/W ANGLED METAL TICKET HOLDERS TO ACCOMMODATE STANDARD LCBO 1" HIGH PAPER TICKETS AT ALL SHELVES (SEE DETAIL 4, F227) ON H.D. METAL BRACKETS ALL IN FIN. NO. (16A)
- METAL FILLER STRIP BETWEEN POSTS FIN. NO. (16A) TYP. AT ALL SHELVES & BASE (EXCEPT TOP SHELF)
- ANGLED METAL TICKET HOLDER BY SHELVING CONTRACTOR TO ACCOMMODATE STANDARD LCBO 1" PAPER TICKETS AT BASE (SEE DETAIL 4, F227)
- RECESSED METAL BASE FIN. (17)
- FINISHED FLOOR LEVEL
- HEAVY DUTY LEVELLERS

NOTE:
ALL 1" METAL TICKET HOLDERS TO RECEIVE 1 3/4" PLASTIC TICKET HOLDER INSERT TO SPAN LENGTH OF SHELF SECTION. PLASTIC TICKET HOLDER TO BE SUPPLIED & INSTALLED BY METAL SHELVING SUPPLIER

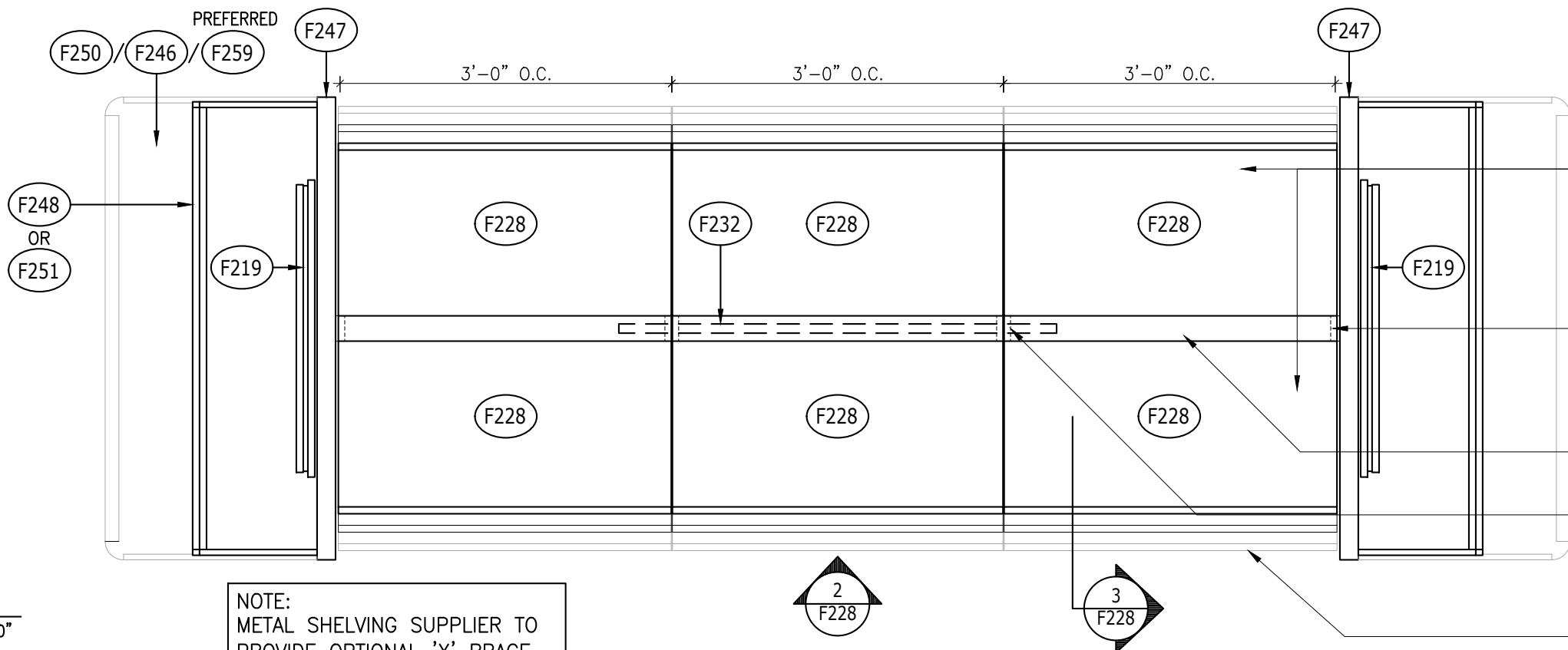


4 ANGLED METAL TICKET HOLDER DETAIL
F227 FULL SCALE

GENERAL NOTES

- DIMENSIONS SHOWN REFLECT SHELF & BASE DIMENSIONS ONLY & DO NOT TAKE METAL TICKET HOLDERS INTO ACCOUNT
- ALL ADJUSTMENTS TO COMPENSATE FOR NON-LEVEL FLOOR SURFACES TO BE MADE AT BOTTOM END OF POST
- GC TO CO-ORDINATE MILLWORK + METAL SHELF INSTALLATION
- END CAP PANELS (F247) TO BE SECURED TO END POSTS USING THRU-BOLTS, CONCEALED FROM CUSTOMER VIEW
- SHELVING SUPPLIER TO OBTAIN 1" HIGH PAPER TICKET SAMPLE FROM LCBO PRIOR TO FABRICATION TO ENSURE PROPER FIT WITHIN TICKET MOULDING. SUBMIT SAMPLE FOR APPROVAL
- GC TO ENSURE ALL SHELVES ARE IN EXACT ALIGNMENT AND ARE TRUE & LEVEL. PERFORATED SHELVES ARE ACCEPTABLE.
- ALL END POSTS TO BE MODIFIED AS REQUIRED TO ENSURE THAT THERE ARE NO GAPS BETWEEN METAL SHELVES AND END GABLES (FILLER STRIPS ARE NOT ACCEPTABLE)
- METAL SHELVING SUPPLIER TO PROVIDE ATLEAST TWO RE-INFORCING CROSS BARS BETWEEN POSTS, AT BASE SHELF AND TOP SHELF, TO ENSURE STRUCTURAL STABILITY OF EACH UNIT. ENSURE CROSS BARS ARE FLUSH WITH TOP OF SHELVES

LCBO	200 GENERAL LIST	REVISION DATE	REV.	2 of 2	ISSUE DATE	STORE TYPE	STORE #
	4'-0" GONDOLA (4 SHELVES) C/W METAL TICKET MOULDINGS	2021 MAR.	17	F227	2021 APR		



HEAVY DUTY METAL SHELVING C/W ANGLED METAL TICKET HOLDERS TO ACCOMMODATE STANDARD LCBO 1" HIGH PAPER TICKETS AT ALL SHELVES (SEE DETAIL 4, F228) ON H.D. METAL BRACKETS ALL IN FIN. (16A)

ALL END POSTS TO BE MODIFIED AS REQUIRED TO ENSURE THAT THERE ARE NO GAPS BETWEEN METAL SHELVES AND END GABLES (FILLER STRIPS ARE NOT ACCEPTABLE)

METAL FILLER STRIP FIN. (16A) TO OVERLAP TOP OF POSTS AT TOP SHELF (MINIMUM 14 GAUGE)

2 3/4" x 1 1/2" x 53 5/8" HIGH HEAVY DUTY SLOTTED METAL POST (SLOTS AT 1" O.C. TYP.) FIN. NO. (16A)

ANGLED METAL TICKET HOLDER BY SHELVING CONTRACTOR TO ACCOMMODATE STANDARD LCBO 1" PAPER TICKETS AT BASE (SEE DETAIL 4, F228)

2 3/4" x 1 1/2" x 53 5/8" HIGH HEAVY DUTY SLOTTED METAL POST (SLOTS AT 1" O.C. TYP.) FIN. NO. (16A)

HEAVY DUTY METAL SHELVING C/W ANGLED METAL TICKET HOLDERS TO ACCOMMODATE STANDARD LCBO 1" HIGH PAPER TICKETS AT ALL SHELVES (SEE DETAIL 4, F228) ON H.D. METAL BRACKETS ALL IN FIN. (16A)

ALL END POSTS TO BE MODIFIED AS REQUIRED TO ENSURE THAT THERE ARE NO GAPS BETWEEN METAL SHELVES AND END GABLES (FILLER STRIPS ARE NOT ACCEPTABLE)

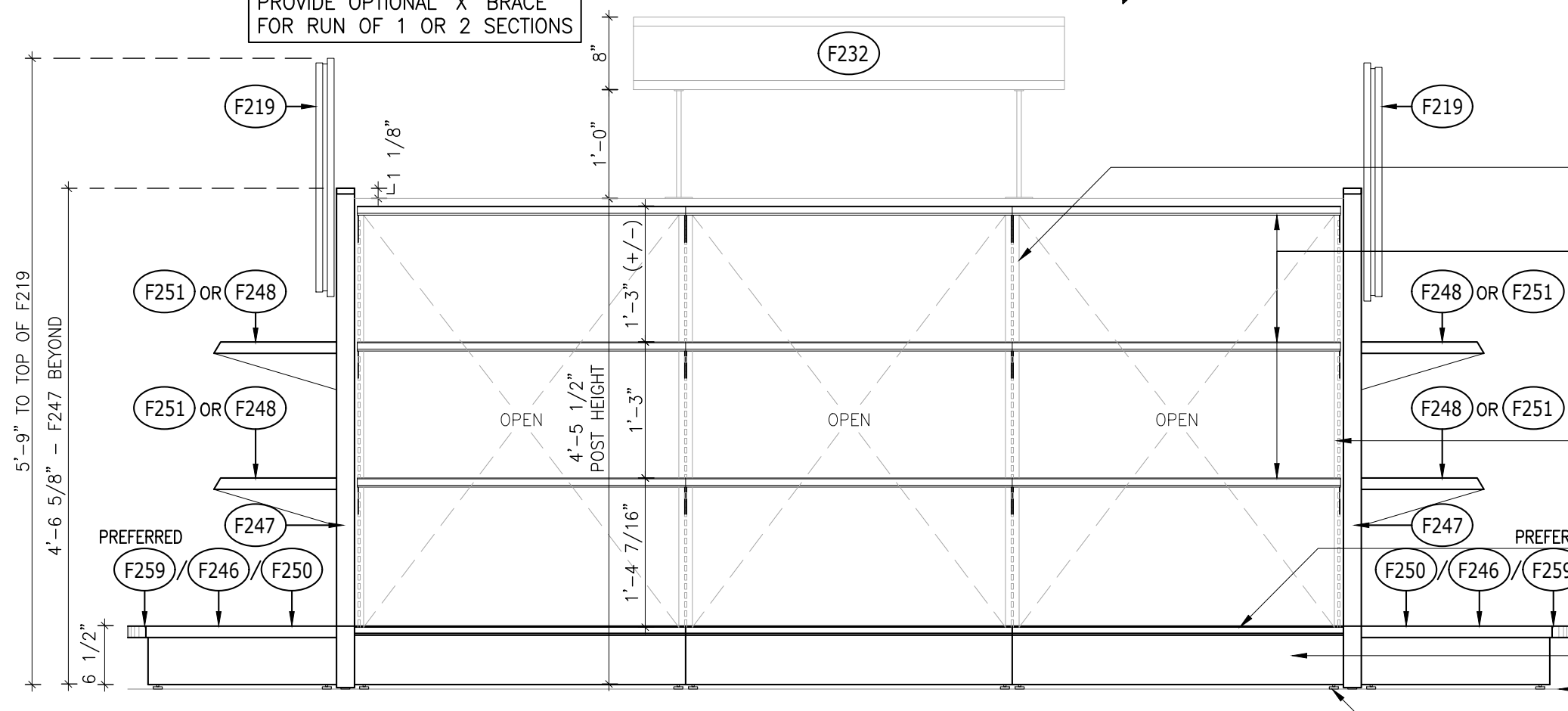
ANGLED METAL TICKET HOLDER BY SHELVING CONTRACTOR TO ACCOMMODATE STANDARD LCBO 1" PAPER TICKETS AT BASE (SEE DETAIL 4, F228)

RECESSED METAL BASE FIN. (17)

FINISHED FLOOR LEVEL
HEAVY DUTY LEVELLERS

1 PLAN
F228 3/4" = 1'-0"

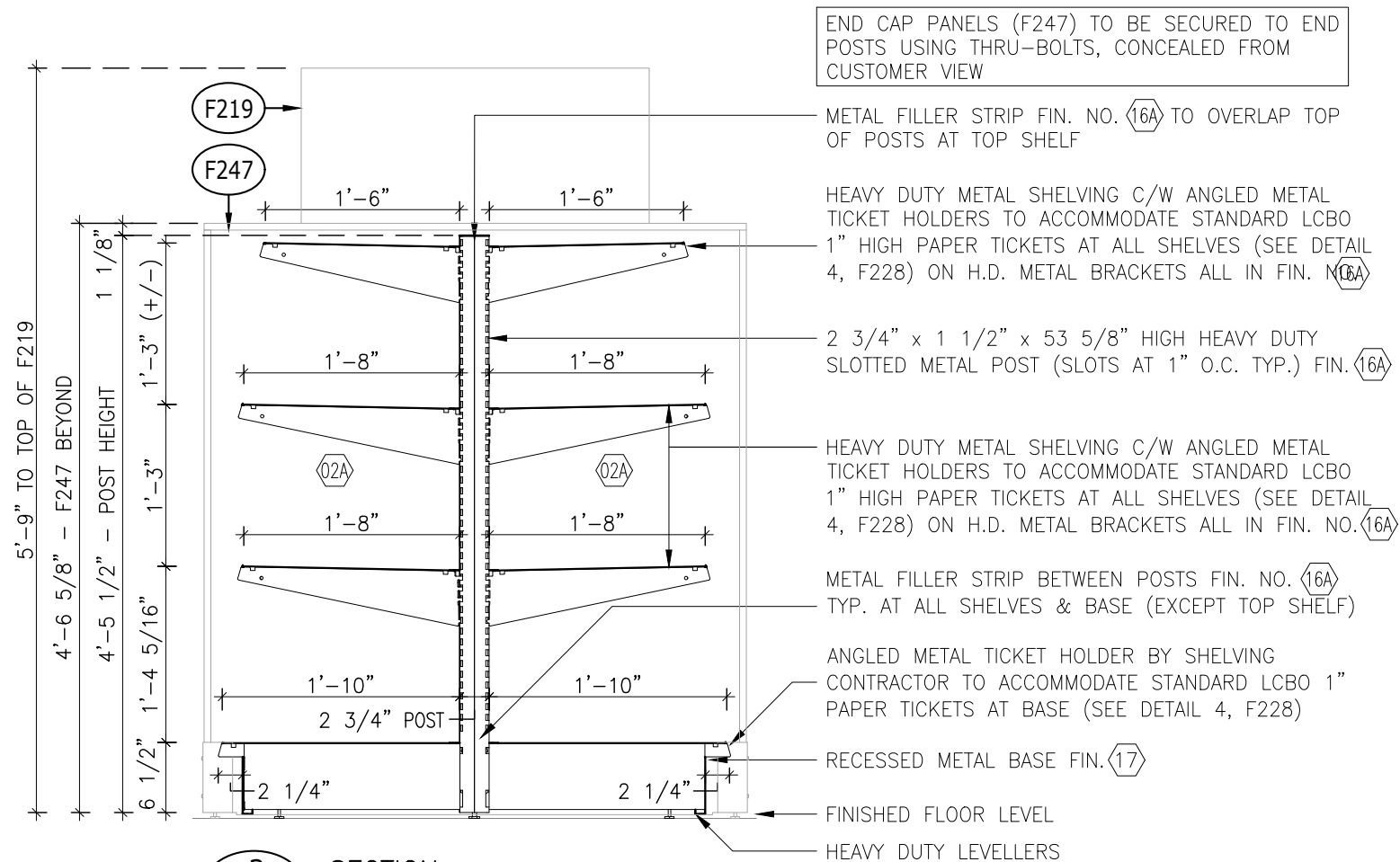
NOTE:
METAL SHELVING SUPPLIER TO PROVIDE OPTIONAL 'X' BRACE FOR RUN OF 1 OR 2 SECTIONS



2 ELEVATION
F228 3/4" = 1'-0"

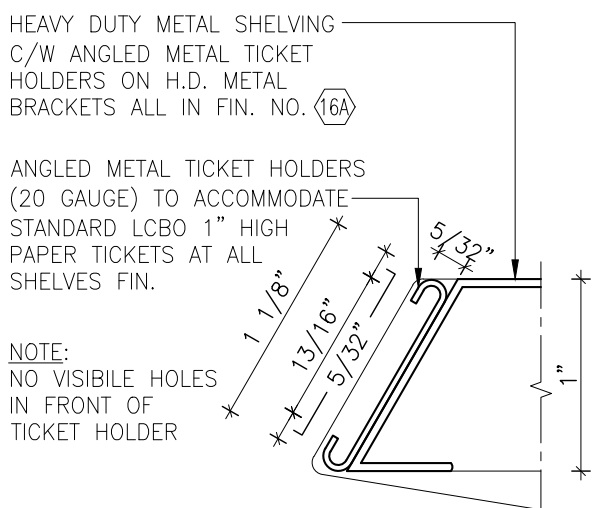
NOTE:
ALL 1" METAL TICKET HOLDERS TO RECEIVE 1 3/4" PLASTIC TICKET HOLDER INSERT TO SPAN LENGTH OF SHELF SECTION. PLASTIC TICKET HOLDERS TO BE SUPPLIED & INSTALLED BY SHELVING SUPPLIER.

LCBO	200 GENERAL LIST	REVISION DATE	REV.	1 of 2	ISSUE DATE	STORE TYPE	STORE #
	3'-0" GONDOLA (4 SHELVES) C/W METAL TICKET MOULDINGS	2021 MAR.	17	F228	2021 APR		



3 SECTION
F228 3/4" = 1'-0"

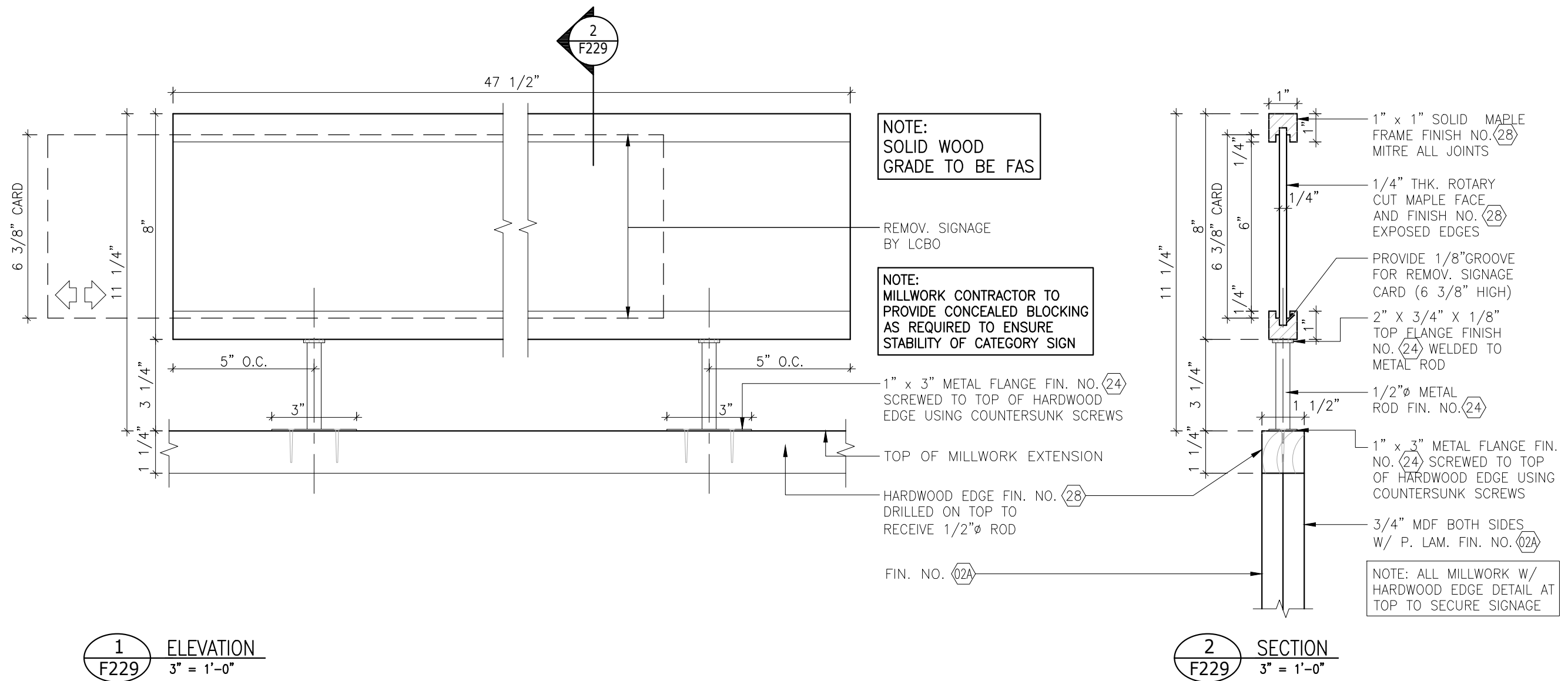
NOTE:
ALL 1" METAL TICKET HOLDERS TO RECEIVE 1 3/4" PLASTIC TICKET HOLDER INSERT TO SPAN LENGTH OF SHELF SECTION. PLASTIC TICKET HOLDER TO BE SUPPLIED & INSTALLED BY METAL SHELVING SUPPLIER



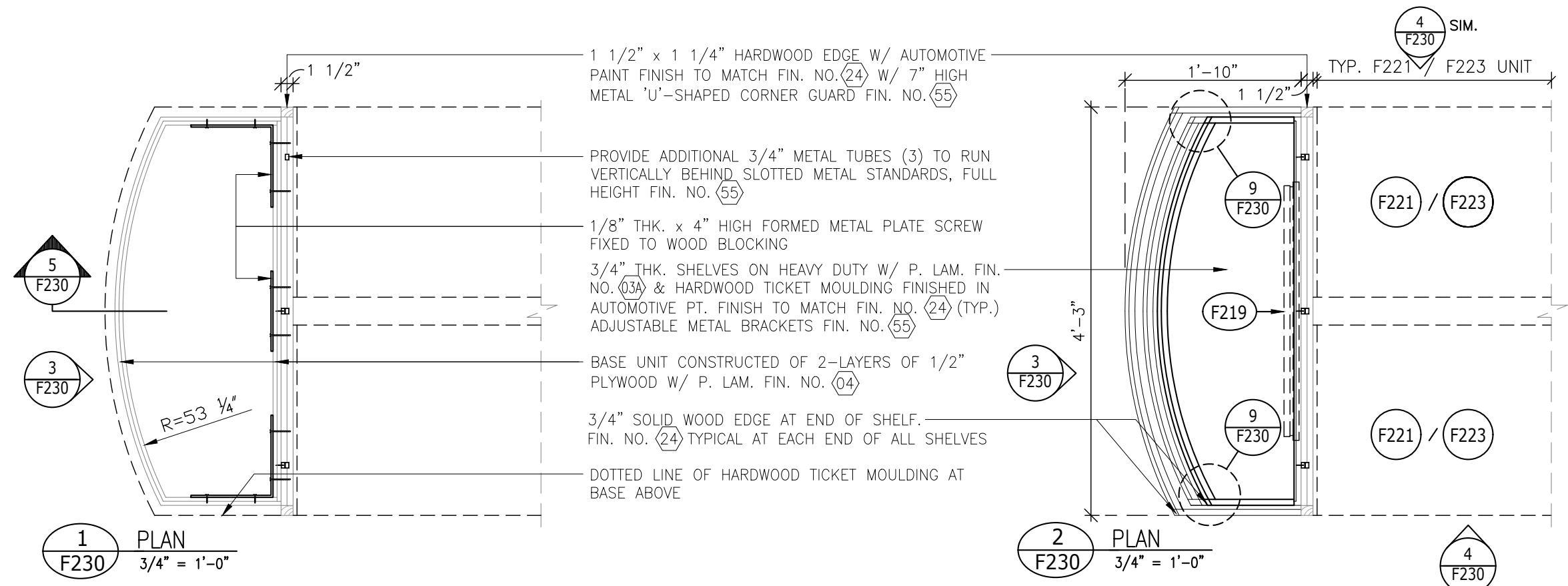
4 ANGLED METAL TICKET HOLDER DETAIL
F228 FULL SCALE

- GENERAL NOTES**
- DIMENSIONS SHOWN REFLECT SHELF & BASE DIMENSIONS ONLY & DO NOT TAKE METAL TICKET HOLDERS INTO ACCOUNT
 - ALL ADJUSTMENTS TO COMPENSATE FOR NON-LEVEL FLOOR SURFACES TO BE MADE AT BOTTOM END OF POST
 - GC TO CO-ORDINATE MILLWORK + METAL SHELF INSTALLATION
 - END CAP PANELS (F247) TO BE SECURED TO END POSTS USING THRU-BOLTS, CONCEALED FROM CUSTOMER VIEW
 - SHELVING SUPPLIER TO OBTAIN 1" HIGH PAPER TICKET SAMPLE FROM LCBO PRIOR TO FABRICATION TO ENSURE PROPER FIT WITHIN TICKET MOULDING. SUBMIT SAMPLE FOR APPROVAL
 - GC TO ENSURE ALL SHELVES ARE IN EXACT ALIGNMENT AND ARE TRUE & LEVEL. PERFORATED SHELVES ARE ACCEPTABLE.
 - ALL END POSTS TO BE MODIFIED AS REQUIRED TO ENSURE THAT THERE ARE NO GAPS BETWEEN METAL SHELVES AND END GABLES (FILLER STRIPS ARE NOT ACCEPTABLE)
 - METAL SHELVING SUPPLIER TO PROVIDE ATLEAST TWO RE-INFORCING CROSS BARS BETWEEN POSTS, AT BASE SHELF AND TOP SHELF, TO ENSURE STRUCTURAL STABILITY OF EACH UNIT. ENSURE CROSS BARS ARE FLUSH WITH TOP OF SHELVES

LCBO	200 GENERAL LIST	REVISION DATE	REV.	2 of 2	ISSUE DATE	STORE TYPE	STORE #
	3'-0" GONDOLA (4 SHELVES) C/W METAL TICKET MOULDINGS	2021 MAR	17	F228	2021 APR		



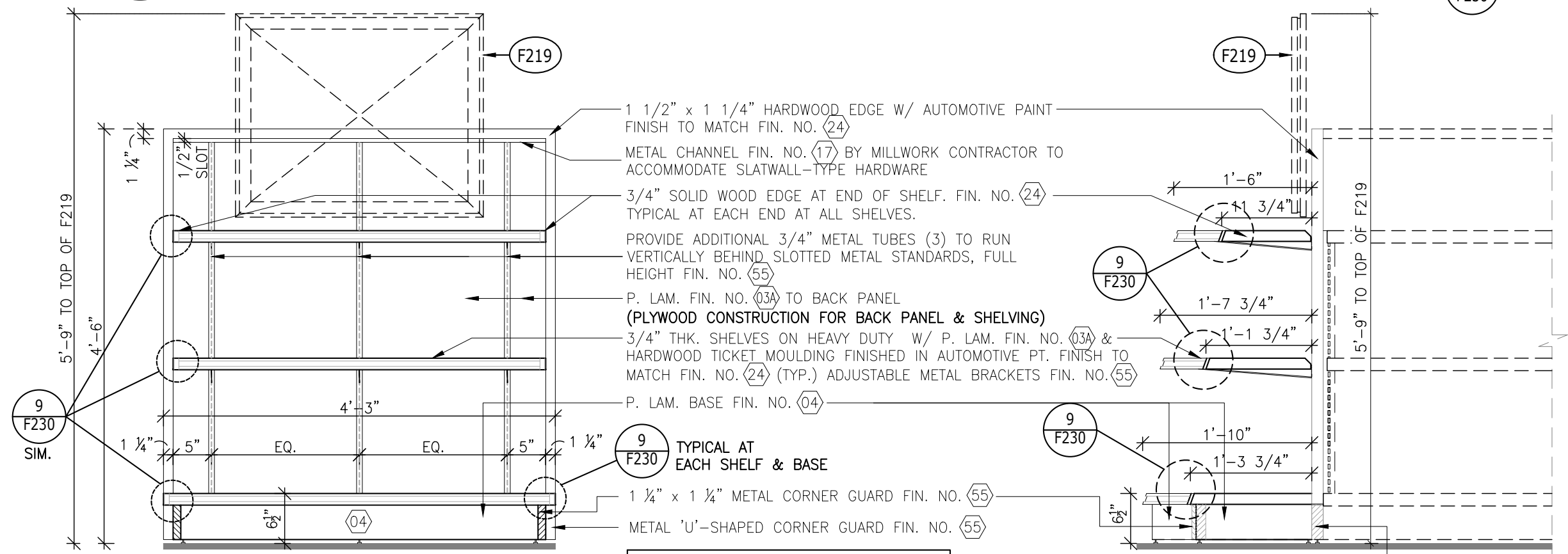
LCBO	GENERAL LIST	REVISION DATE	REV.	1 of 1	ISSUE DATE	STORE TYPE	STORE #
	GONDOLA CATEGORY SIGN	2017 NOV	15	F229	2021 APR		



1 PLAN
F230 3/4" = 1'-0"

2 PLAN
F230 3/4" = 1'-0"

- 1 1/2" x 1 1/4" HARDWOOD EDGE W/ AUTOMOTIVE PAINT FINISH TO MATCH FIN. NO. (24) W/ 7" HIGH METAL 'U'-SHAPED CORNER GUARD FIN. NO. (55)
- PROVIDE ADDITIONAL 3/4" METAL TUBES (3) TO RUN VERTICALLY BEHIND SLOTTED METAL STANDARDS, FULL HEIGHT FIN. NO. (55)
- 1/8" THK. x 4" HIGH FORMED METAL PLATE SCREW FIXED TO WOOD BLOCKING
- 3/4" THK. SHELVES ON HEAVY DUTY W/ P. LAM. FIN. NO. (03A) & HARDWOOD TICKET MOULDING FINISHED IN AUTOMOTIVE PT. FINISH TO MATCH FIN. NO. (24) (TYP.) ADJUSTABLE METAL BRACKETS FIN. NO. (55)
- BASE UNIT CONSTRUCTED OF 2-LAYERS OF 1/2" PLYWOOD W/ P. LAM. FIN. NO. (04)
- 3/4" SOLID WOOD EDGE AT END OF SHELF. FIN. NO. (24) TYPICAL AT EACH END OF ALL SHELVES
- DOTTED LINE OF HARDWOOD TICKET MOULDING AT BASE ABOVE



3 ELEVATION
F230 3/4" = 1'-0"

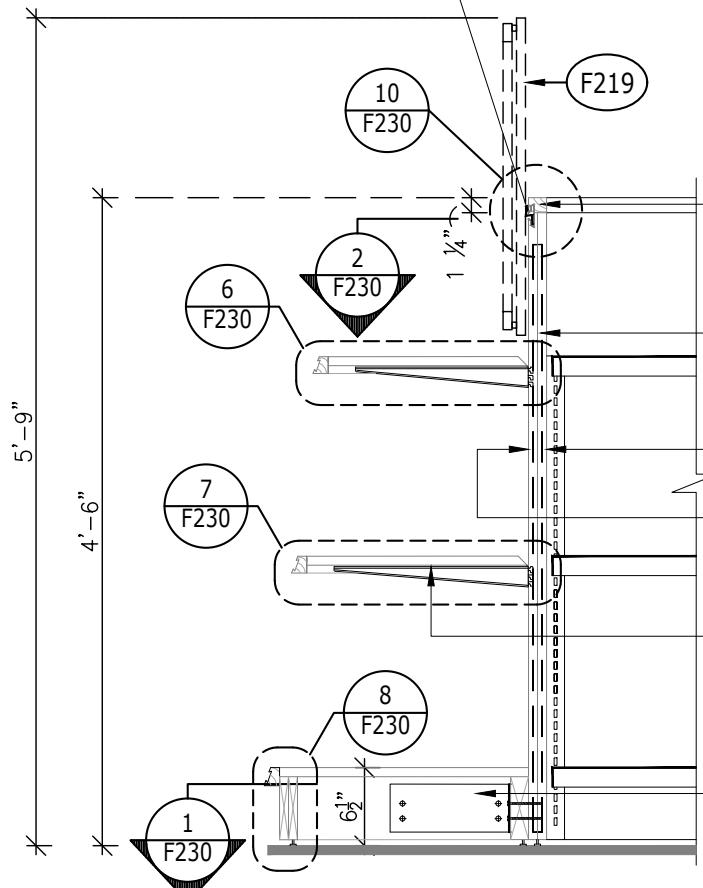
4 ELEVATION
F230 3/4" = 1'-0"

- 1 1/2" x 1 1/4" HARDWOOD EDGE W/ AUTOMOTIVE PAINT FINISH TO MATCH FIN. NO. (24)
- METAL CHANNEL FIN. NO. (17) BY MILLWORK CONTRACTOR TO ACCOMMODATE SLATWALL-TYPE HARDWARE
- 3/4" SOLID WOOD EDGE AT END OF SHELF. FIN. NO. (24) TYPICAL AT EACH END AT ALL SHELVES.
- PROVIDE ADDITIONAL 3/4" METAL TUBES (3) TO RUN VERTICALLY BEHIND SLOTTED METAL STANDARDS, FULL HEIGHT FIN. NO. (55)
- P. LAM. FIN. NO. (03A) TO BACK PANEL (PLYWOOD CONSTRUCTION FOR BACK PANEL & SHELVING)
- 3/4" THK. SHELVES ON HEAVY DUTY W/ P. LAM. FIN. NO. (03A) & HARDWOOD TICKET MOULDING FINISHED IN AUTOMOTIVE PT. FINISH TO MATCH FIN. NO. (24) (TYP.) ADJUSTABLE METAL BRACKETS FIN. NO. (55)
- P. LAM. BASE FIN. NO. (04)
- 9 F230 TYPICAL AT EACH SHELF & BASE
- 1 1/4" x 1 1/4" METAL CORNER GUARD FIN. NO. (55)
- METAL 'U'-SHAPED CORNER GUARD FIN. NO. (55)

END CAP PANEL (F230) TO BE SECURED TO END POSTS USING THRU-BOLTS, CONCEALED FROM CUSTOMER VIEW.

LCBO	200 GENERAL LIST	REVISION DATE	REV.	1 of 2	ISSUE DATE	STORE TYPE	STORE #
	GONDOLA PROMO END (OLD MILLWORK DETAIL)	2019 APR	16	F230	2021 APR		

METAL CHANNEL FIN. NO. (17) BY MILLWORK CONTRACTOR TO ACCOMMODATE SLATWALL-TYPE HARDWARE

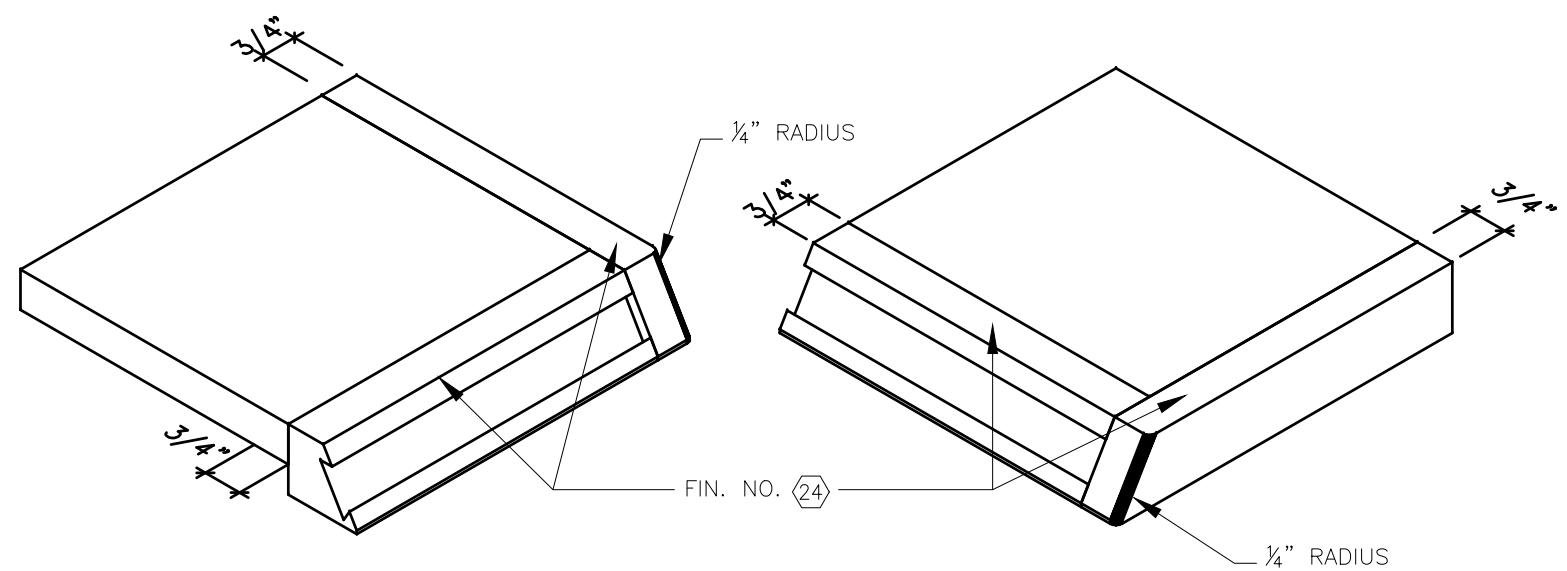


5 SECTION
F230 3/4" = 1'-0"

- 1 1/2" x 1 1/4" HARDWOOD EDGE W/ AUTOMOTIVE PAINT FINISH TO MATCH FIN. NO. (24)
- DOTTED LINES 3/4" METAL TUBES (3) TO RUN VERTICALLY BEHIND SLOTTED METAL STANDARDS, FULL HEIGHT FIN. NO. (55)
- PLYWOOD BACK PANEL FIN. NO. (03A)
- P. LAM. FIN. NO. (03A) TO BACK PANEL (PLYWOOD CONSTRUCTION FOR BACK PANEL & SHELVING)
- 3/4" THK. SHELVES ON HEAVY DUTY W/ P. LAM. FIN. NO. (03A) & HARDWOOD TICKET MOULDING FINISHED IN AUTOMOTIVE PT. FINISH TO MATCH FIN. NO. (24) (TYP.) ADJUSTABLE METAL BRACKETS FIN. NO. (55)
- 1/8" THK. x 4" HIGH FORMED METAL PLATE SCREW FIXED TO WOOD BLOCKING

ALIGN ALL SHELVES WITH ADJACENT METAL GONDOLA UNIT SHELVING F221/F223

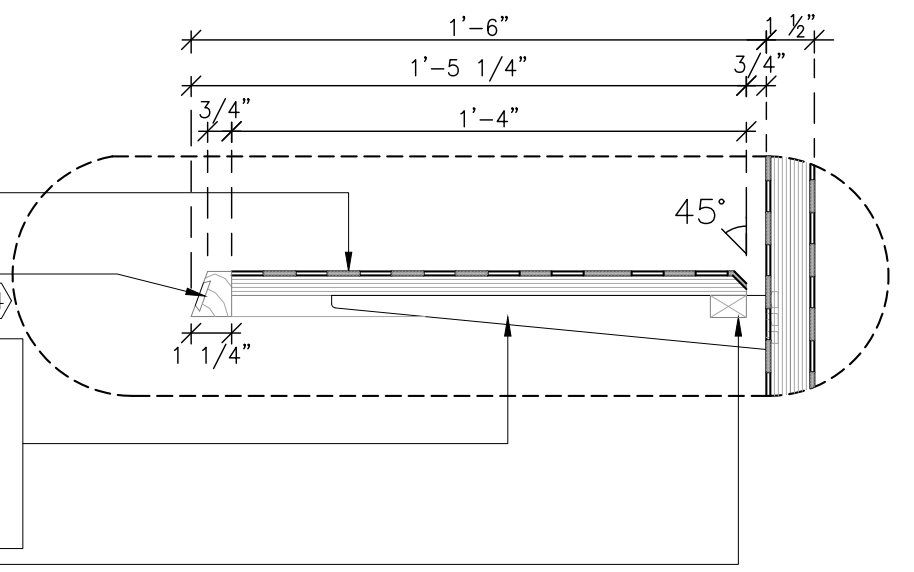
END CAP PANEL (F230) TO BE SECURED TO END POSTS USING THRU-BOLTS, CONCEALED FROM CUSTOMER VIEW.



9 ISOMETRIC VIEWS - ANGLED WOOD BLOCK DETAIL
F230 AT END OF SHELF

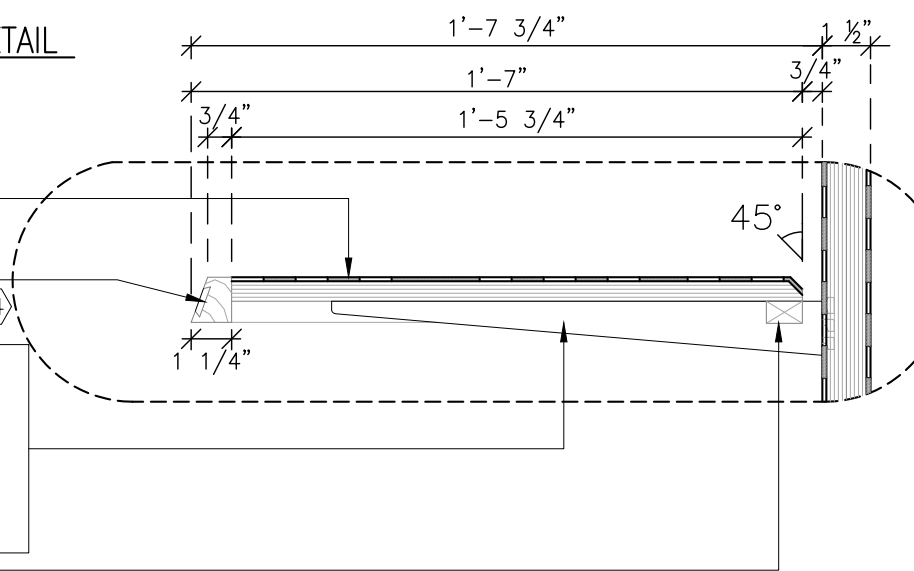
- 3/4" PLY SHELF W/ P. LAM. FIN. NO. (03A)
- HARDWOOD TICKET MOULDING FINISHED IN AUTOMOTIVE PT. FINISH TO MATCH FIN. NO. (24)
- ALL STANDARDS AND BRACKETS TO BE KEMBER SERIES 5000 OR LCBO APPROVED EQUAL, TO BE MANUFACTURED FROM 14 GAUGE COLD-ROLLED STEEL. SLOTTED STANDARDS TO BE 3/4" WIDE x 1/2" DEEP WITH 5/8" x 1/8" SLOTS ON 1" CENTRES. FINISH TO MATCH FIN. NO. (55)
- HARDWOOD STRIP TO PREVENT SAGGING

6 SECTION-DETAIL
F230 2" = 1'-0"



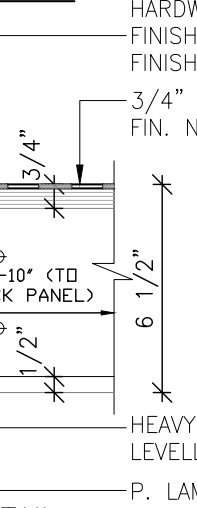
- 3/4" PLY SHELF W/ P. LAM. FIN. NO. (03A)
- HARDWOOD TICKET MOULDING FINISHED IN AUTOMOTIVE PT. FINISH TO MATCH FIN. NO. (24)
- ALL STANDARDS AND BRACKETS TO BE KEMBER SERIES 5000 OR LCBO APPROVED EQUAL, TO BE MANUFACTURED FROM 14 GAUGE COLD-ROLLED STEEL. SLOTTED STANDARDS TO BE 3/4" WIDE x 1/2" DEEP WITH 5/8" x 1/8" SLOTS ON 1" CENTRES. FINISH TO MATCH FIN. NO. (55)
- HARDWOOD STRIP TO PREVENT SAGGING

7 SECTION-DETAIL
F230 2" = 1'-0"



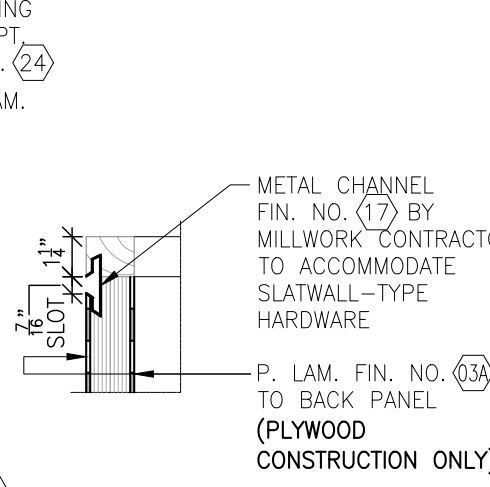
- HARDWOOD TICKET MOULDING FINISHED IN AUTOMOTIVE PT. FINISH TO MATCH FIN. NO. (24)
- 3/4" PLY BASE W/ P. LAM. FIN. NO. (03A)
- HEAVY DUTY NYLON LEVELLERS AS REQUIRED
- P. LAM. BASE FIN. NO. (04)
- 1'-10" (TD BACK PANEL)
- 1 1/4"
- 1 1/2"
- 3/4"
- 3/4"
- 6 1/2"
- 1 1/2"
- 1 1/2"
- 1 1/2"

8 SECTION-DETAIL
F230 2" = 1'-0"

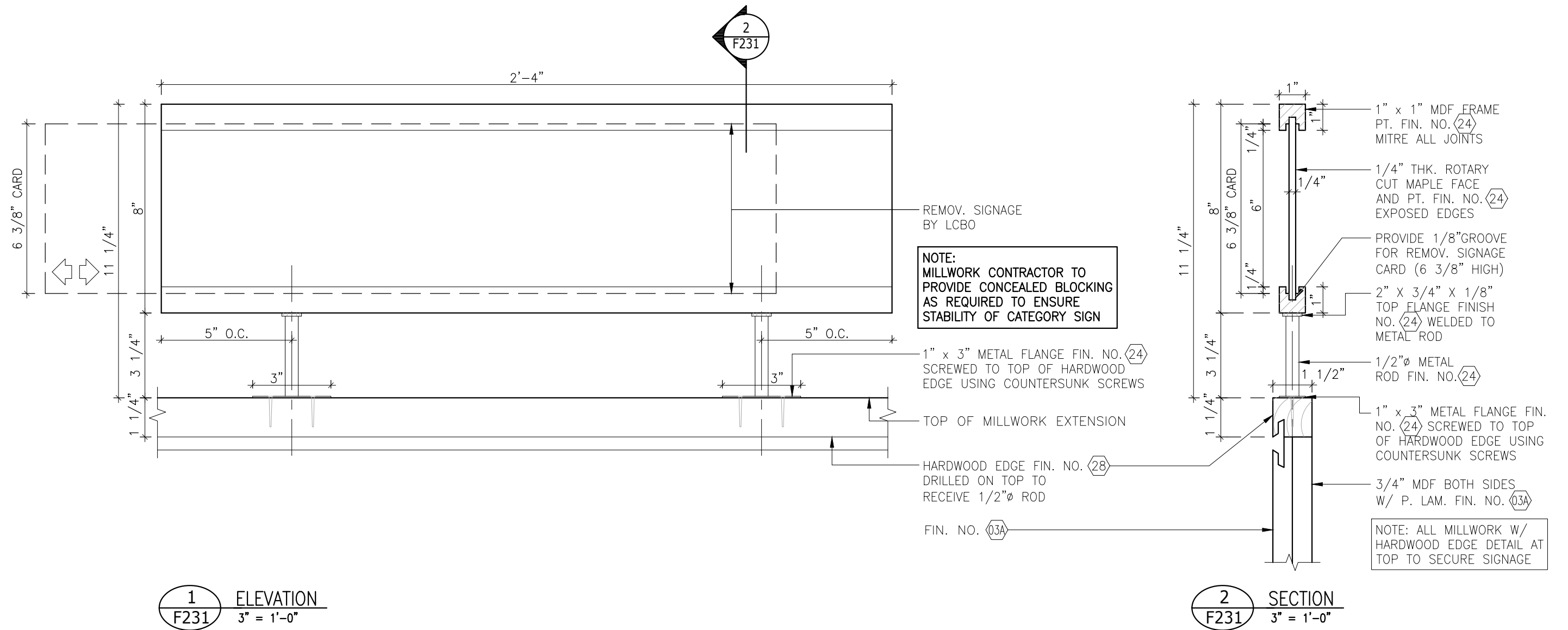


- METAL CHANNEL FIN. NO. (17) BY MILLWORK CONTRACTOR TO ACCOMMODATE SLATWALL-TYPE HARDWARE
- P. LAM. FIN. NO. (03A) TO BACK PANEL (PLYWOOD CONSTRUCTION ONLY)
- 7/16" SLOT
- 1 1/4"

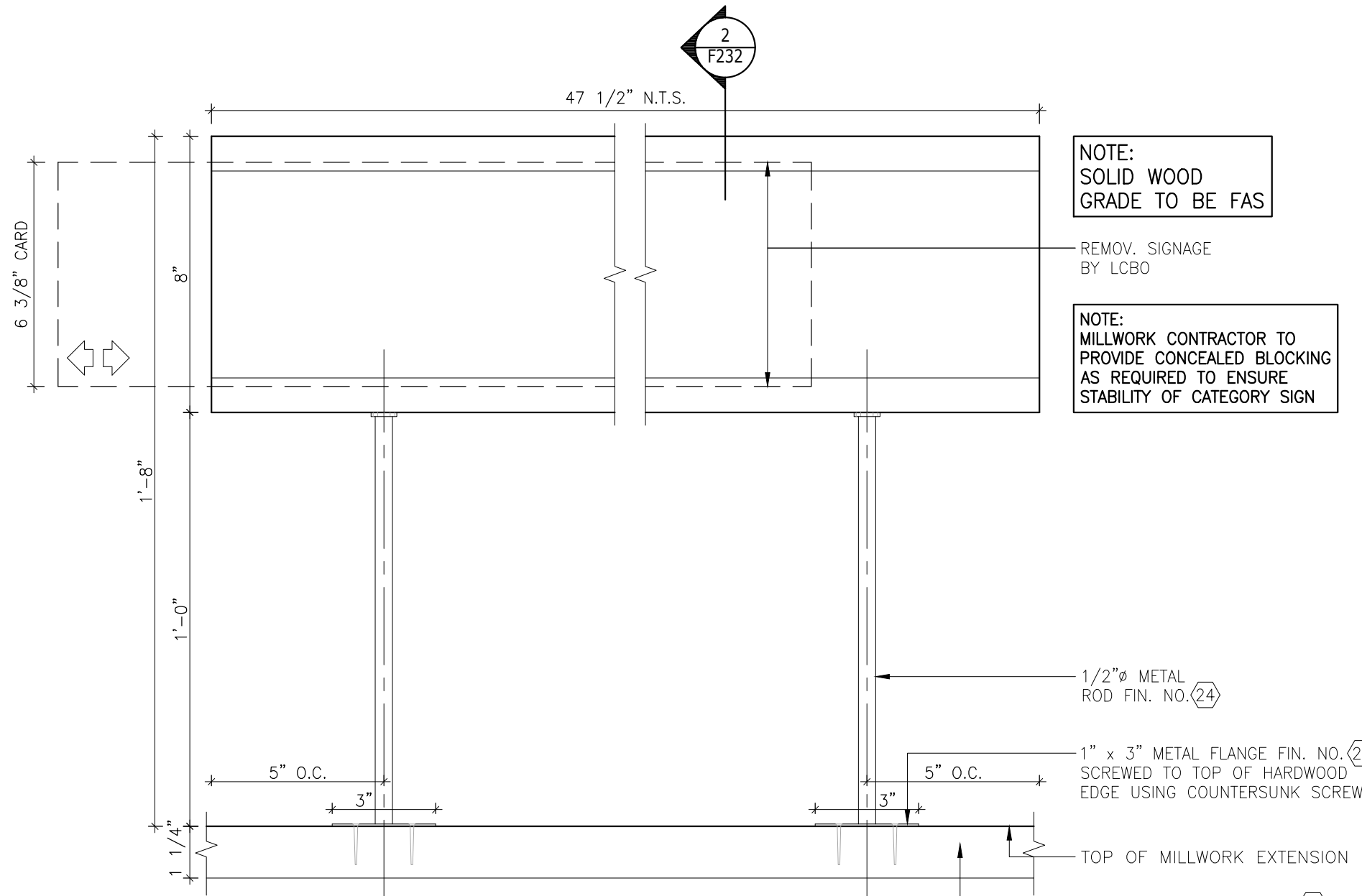
10 SECTION-DETAIL
F230 2" = 1'-0"



LCBO	200 GENERAL LIST	REVISION DATE	REV.	2 of 2	ISSUE DATE	STORE TYPE	STORE #
	GONDOLA PROMO END (OLD MILLWORK DETAIL)	2019 APR	16	F230	2021 APR		



LCBO	200 GENERAL LIST	REVISION DATE	REV.	1 of 1	ISSUE DATE	STORE TYPE	STORE #
	28" GONDOLA END CATEGORY SIGN	2017 NOV	15	F231	2021 APR		



NOTE:
SOLID WOOD
GRADE TO BE FAS

REMOV. SIGNAGE
BY LCBO

NOTE:
MILLWORK CONTRACTOR TO
PROVIDE CONCEALED BLOCKING
AS REQUIRED TO ENSURE
STABILITY OF CATEGORY SIGN

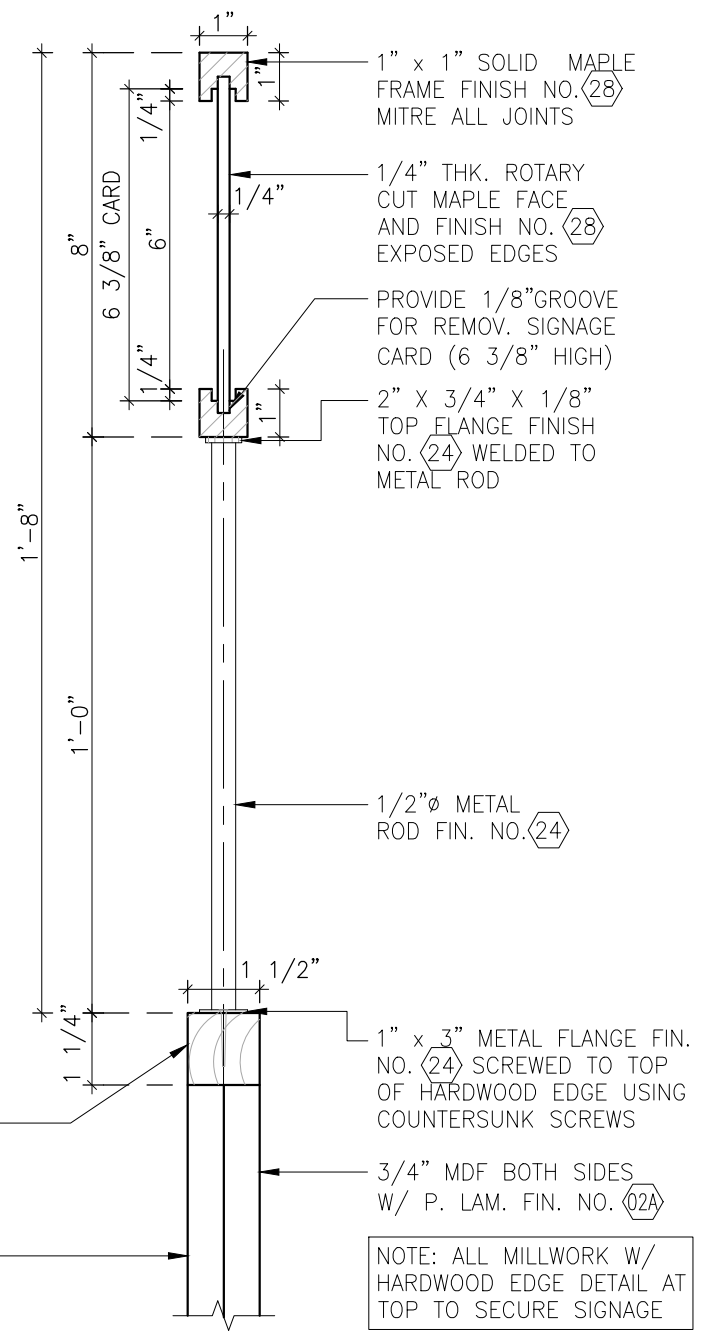
1/2"Ø METAL
ROD FIN. NO. (24)

1" x 3" METAL FLANGE FIN. NO. (24)
SCREWED TO TOP OF HARDWOOD
EDGE USING COUNTERSUNK SCREWS

TOP OF MILLWORK EXTENSION

HARDWOOD EDGE FIN. NO. (28)
DRILLED ON TOP TO
RECEIVE 1/2"Ø ROD

FIN. NO. (02A)



1" x 1" SOLID MAPLE
FRAME FINISH NO. (28)
MITRE ALL JOINTS

1/4" THK. ROTARY
CUT MAPLE FACE
AND FINISH NO. (28)
EXPOSED EDGES

PROVIDE 1/8" GROOVE
FOR REMOV. SIGNAGE
CARD (6 3/8" HIGH)

2" x 3/4" x 1/8"
TOP FLANGE FINISH
NO. (24) WELDED TO
METAL ROD

1/2"Ø METAL
ROD FIN. NO. (24)

1" x 3" METAL FLANGE FIN.
NO. (24) SCREWED TO TOP
OF HARDWOOD EDGE USING
COUNTERSUNK SCREWS

3/4" MDF BOTH SIDES
W/ P. LAM. FIN. NO. (02A)

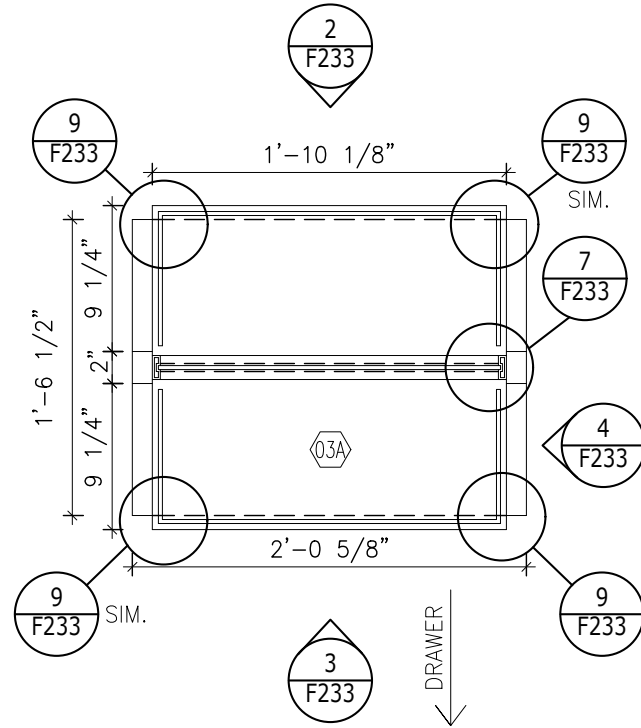
NOTE: ALL MILLWORK W/
HARDWOOD EDGE DETAIL AT
TOP TO SECURE SIGNAGE

1 ELEVATION
F232 3" = 1'-0"

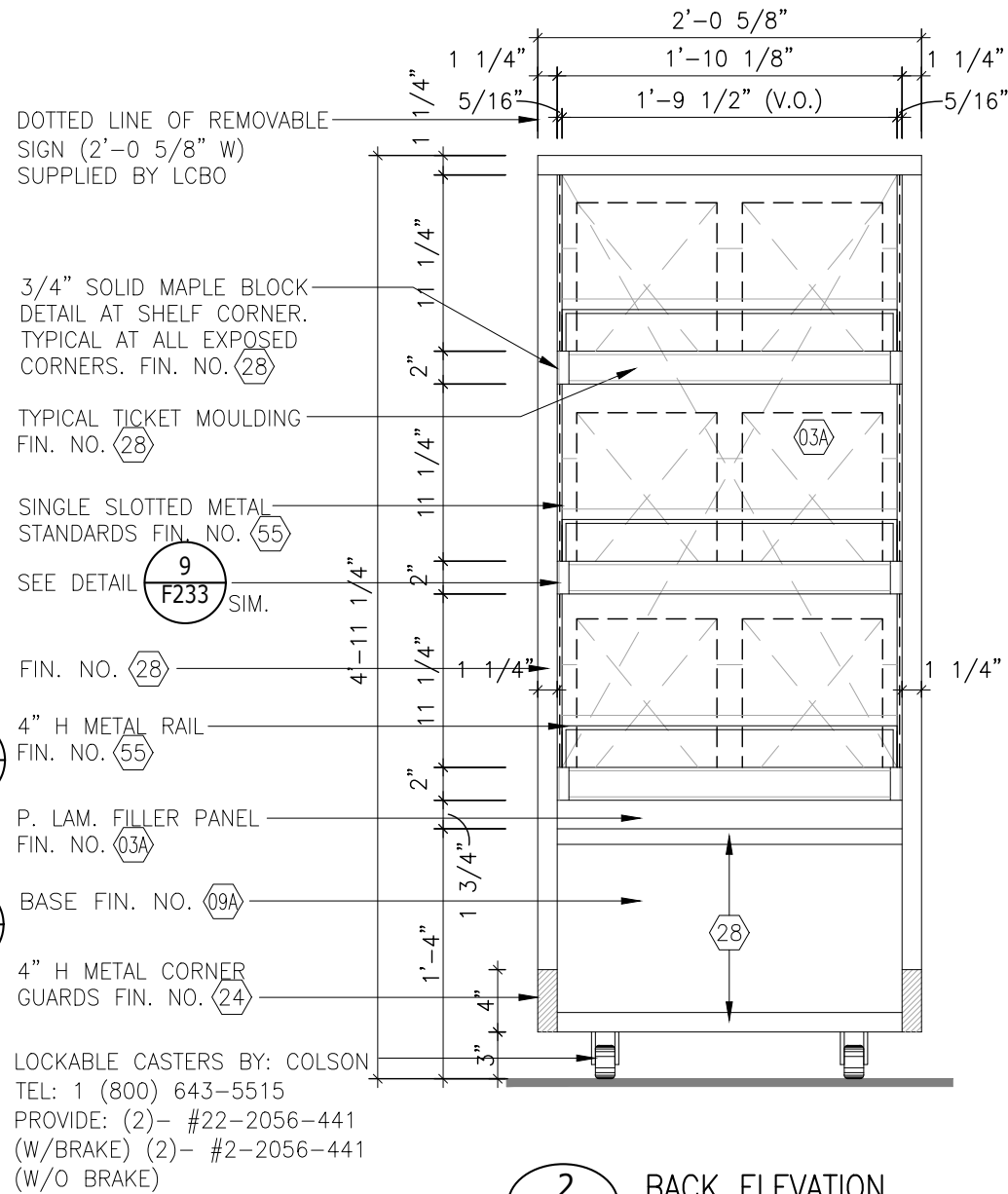
2 SECTION
F232 3" = 1'-0"

LCBO	200 GENERAL LIST	REVISION DATE	REV.	1 of 1	ISSUE DATE	STORE TYPE	STORE #
	4-HIGH GONDOLA CATEGORY SIGN	2019 APR	16	F232	2021 APR		

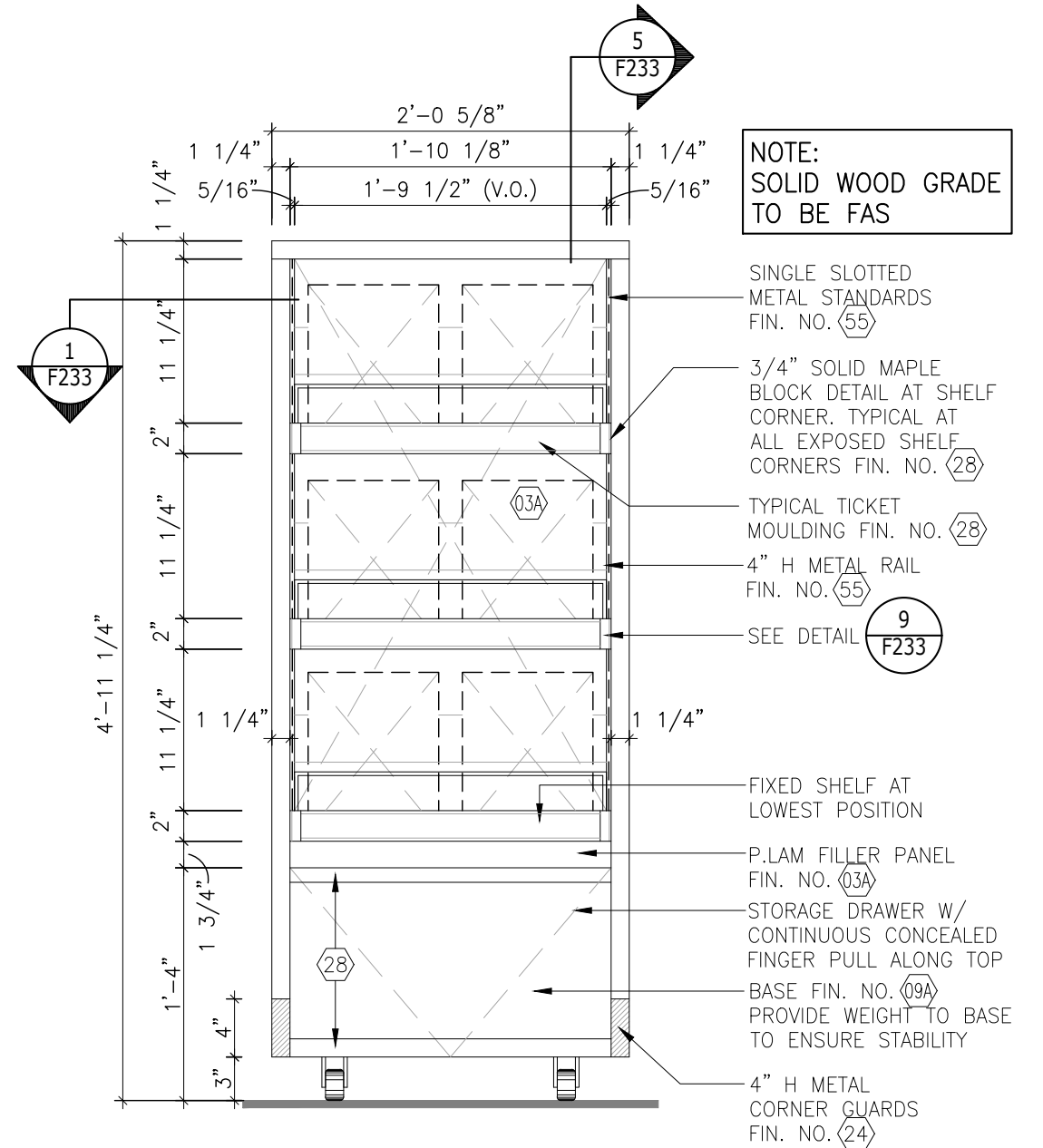
TYP. MAGAZINE
11" H x 9" W



1
F233 PLAN
1" = 1'-0"



2
F233 BACK ELEVATION
1" = 1'-0"



3
F233 FRONT ELEVATION
1" = 1'-0"

NOTE:
SOLID WOOD GRADE
TO BE FAS

DOTTED LINE OF REMOVABLE
SIGN (2'-0 5/8" W)
SUPPLIED BY LCBO

3/4" SOLID MAPLE BLOCK
DETAIL AT SHELF CORNER.
TYPICAL AT ALL EXPOSED
CORNERS. FIN. NO. (28)

TYPICAL TICKET
MOULDING
FIN. NO. (28)

SINGLE SLOTTED METAL
STANDARDS FIN. NO. (55)

SEE DETAIL (9)
F233 SIM.

FIN. NO. (28)

4" H METAL RAIL
FIN. NO. (55)

P. LAM. FILLER PANEL
FIN. NO. (03A)

BASE FIN. NO. (09A)

4" H METAL CORNER
GUARDS FIN. NO. (24)

LOCKABLE CASTERS BY: COLSON
TEL: 1 (800) 643-5515
PROVIDE: (2)- #22-2056-441
(W/BRAKE) (2)- #2-2056-441
(W/O BRAKE)

SINGLE SLOTTED
METAL STANDARDS
FIN. NO. (55)

3/4" SOLID MAPLE
BLOCK DETAIL AT SHELF
CORNER. TYPICAL AT
ALL EXPOSED SHELF
CORNERS FIN. NO. (28)

TYPICAL TICKET
MOULDING FIN. NO. (28)

4" H METAL RAIL
FIN. NO. (55)

SEE DETAIL (9)
F233

FIXED SHELF AT
LOWEST POSITION

P. LAM FILLER PANEL
FIN. NO. (03A)

STORAGE DRAWER W/
CONTINUOUS CONCEALED
FINGER PULL ALONG TOP

BASE FIN. NO. (09A)
PROVIDE WEIGHT TO BASE
TO ENSURE STABILITY

4" H METAL
CORNER GUARDS
FIN. NO. (24)

LCBO

200 GENERAL LIST
FOOD & DRINK STAND

REVISION DATE	REV.	1 OF 4	ISSUE DATE	STORE TYPE	STORE #
2017 NOV	15	F233	2021 APR		

NOTE:
SOLID WOOD GRADE
TO BE FAS

2'-0 5/8" W REMOVABLE
SIGNHOLDER W/ CONTINUOUS
SLOT TO ACCOMMODATE 6mm
THICK SIGN.

3/4" SOLID MAPLE BLOCK
DETAIL AT SHELF CORNER.
TYPICAL AT ALL EXPOSED
CORNERS. FIN. NO. (28)

CLEAR PLEXI MAGAZINE
HOLDER - SEE DETAIL #10

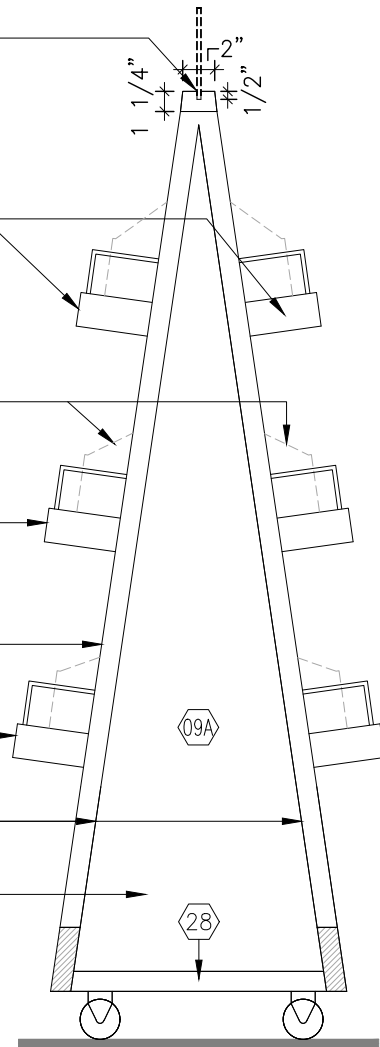
ADJUSTABLE SHELVES ON METAL
BRACKETS FIN. NO. (55)

FIN. NO. (28)

FIXED SHELF AT
LOWEST POSITION

1/8" X 1/8"
SAWCUT REVEALS

BASE FIN. NO. (09A) PROVIDE
WEIGHT TO BASE TO
ENSURE STABILITY



4 SIDE ELEVATION
F233 1" = 1'-0"

2'-0 5/8" WIDE REMOVABLE
SIGNHOLDER W/CONTINUOUS
SLOT TO ACCOMMODATE
3/16" SIGN

CLEAR PLEXI MAGAZINE
HOLDER - SEE DETAIL #10

TYPICAL TICKET MOULDING
FIN. NO. (28)

FIN. NO. (03A)

CLEAR PLEXI MAGAZINE
HOLDER - SEE DETAIL #10

ADJUSTABLE SHELVES ON METAL
BRACKETS FIN. NO. (55)

FIN. NO. (28)

4" H METAL RAIL FIN. NO. (55)

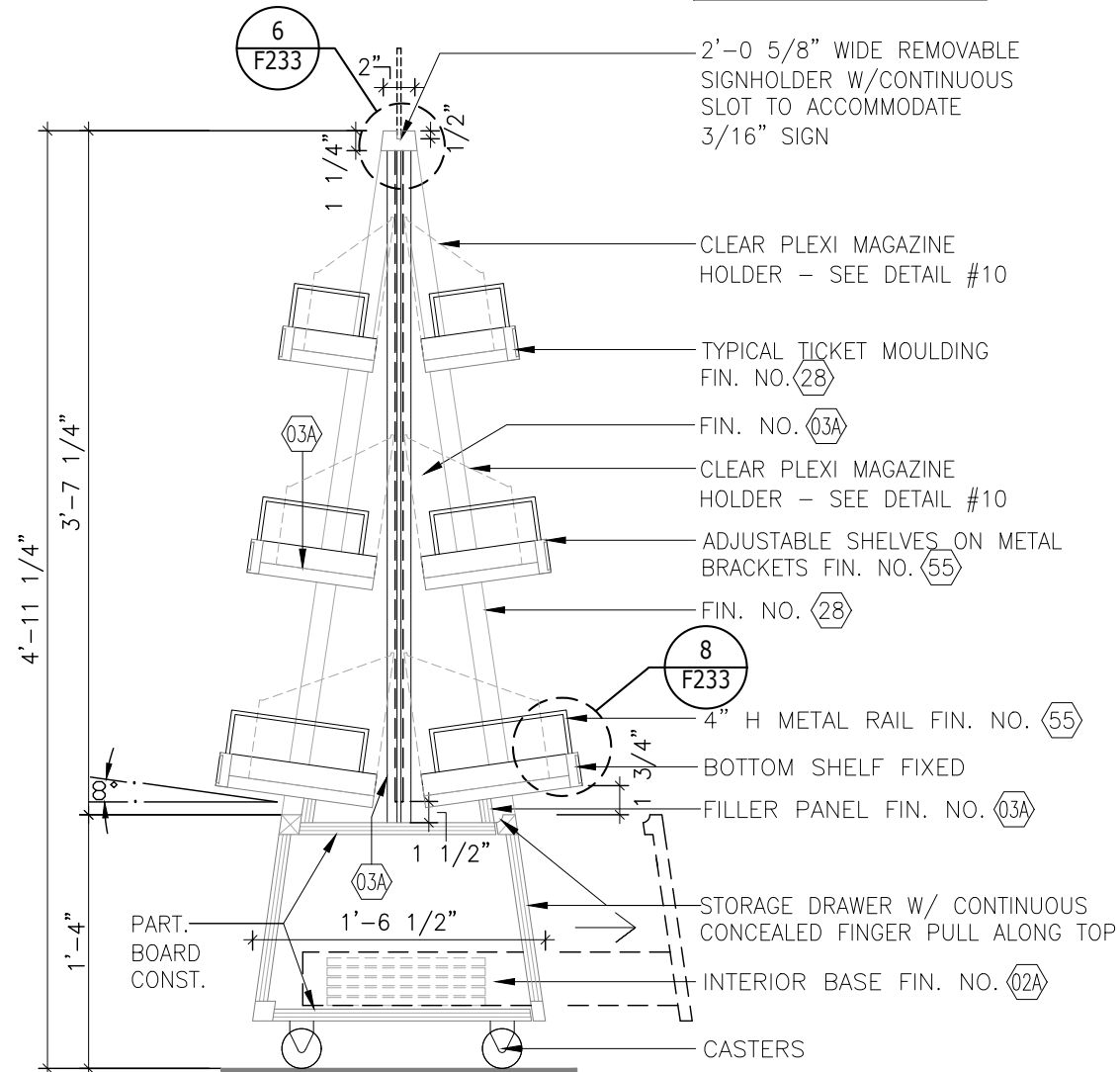
BOTTOM SHELF FIXED

FILLER PANEL FIN. NO. (03A)

STORAGE DRAWER W/ CONTINUOUS
CONCEALED FINGER PULL ALONG TOP

INTERIOR BASE FIN. NO. (02A)

CASTERS



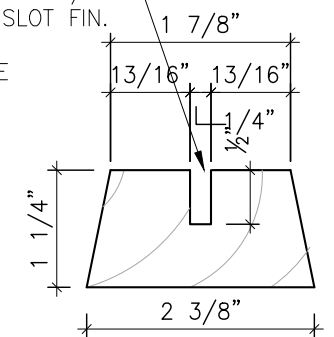
5 SECTION
F233 1" = 1'-0"

NOTE:
FOOD & DRINK CLEAR PLEXI
INSERT BY MILLWORK
CONTRACTOR TO BE
CONSTRUCTED OF 1/4" THK.
CLEAR PLEXI GLASS. PLEXI
BASE REQUIRED.

(1) PER SHELF REQUIRED.

CLEAR PLEXI MAGAZINE HOLDERS
PROVIDED BY MILLWORKER SIZE
TO FIT SHELVES

2'-0 5/8" W REMOVABLE
SIGNAGE HOLDER W/
CONTINUOUS SLOT FIN.
NO. (28) TO
ACCOMMODATE
6mm SIGN

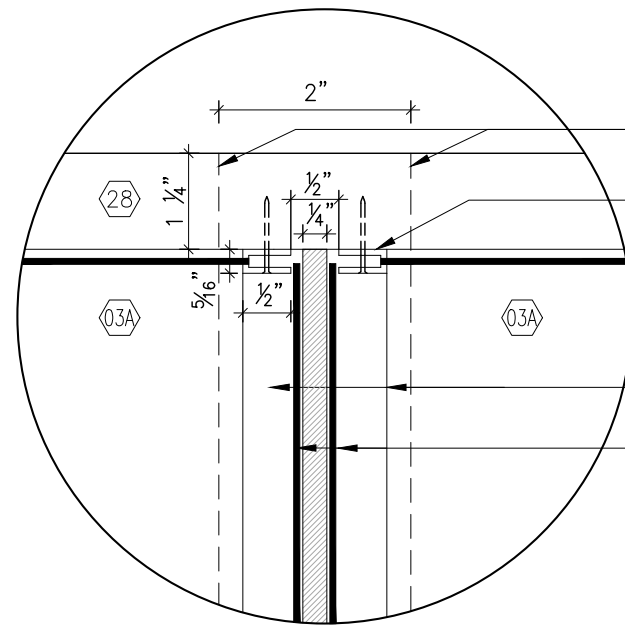


6 DETAIL
F233 6" = 1'-0"

LCBO

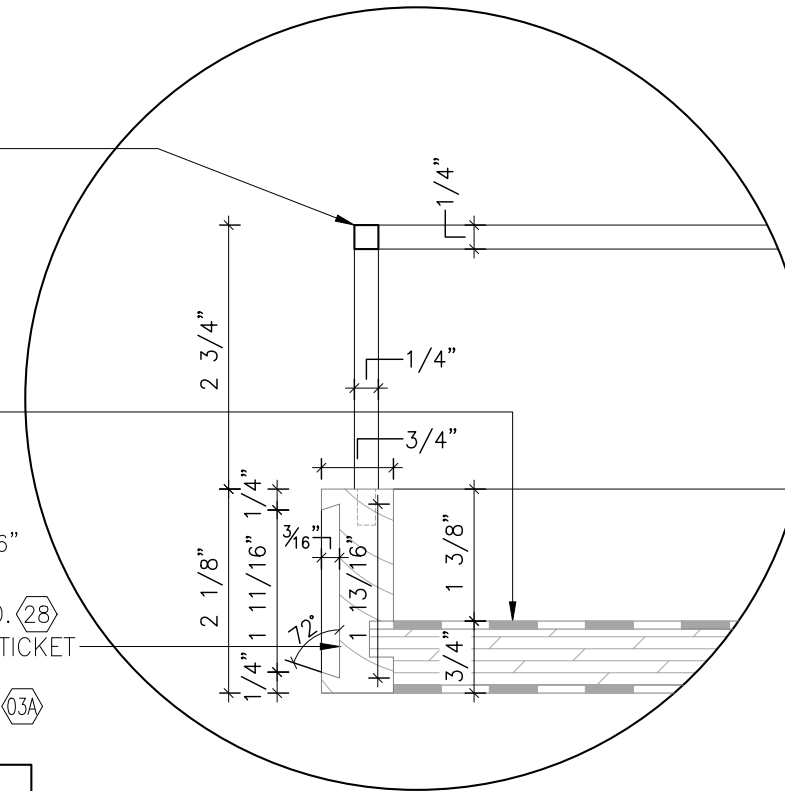
200 GENERAL LIST
FOOD & DRINK STAND

REVISION DATE	REV.	2 OF 4	ISSUE DATE	STORE TYPE	STORE #
2017 NOV	15	F233	2021 APR		



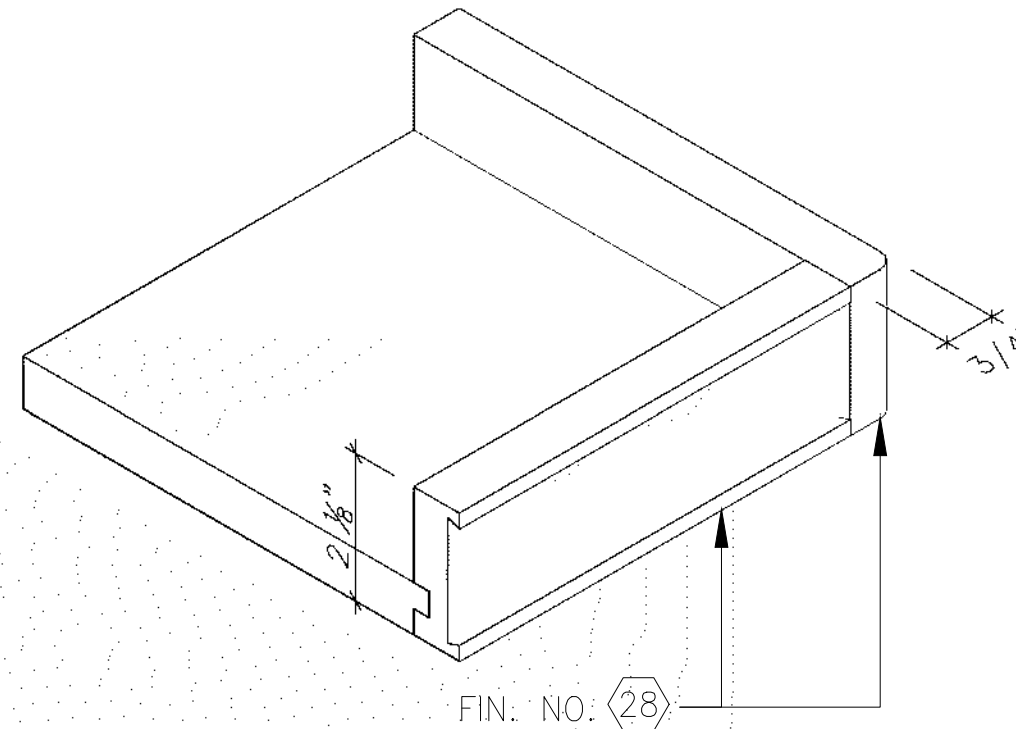
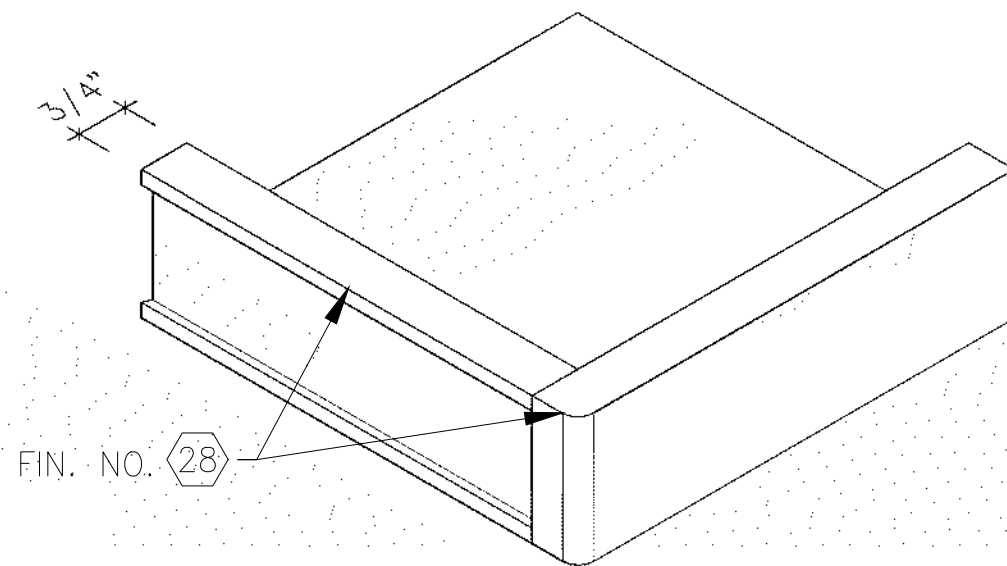
1/4" SQ. METAL RAIL
 4" H FIN. NO. (55)
 DOTTED LINES OF REMOVABLE
 WOOD CAP ABOVE
 SINGLE SLOTTED METAL
 STANDARD FIN. NO. (55) SCREWED
 TO PANEL THROUGH SIDE
 P. LAM. FIN. NO. (03A)
 FILLER PANEL BELOW FIN. NO. (03A)
 DOTTED LINES OF REMOVABLE 1/16"
 THICK LAMINATED P.O.P.
 TYPICAL TICKET MOULDING FIN. NO. (28)
 TO ACCOMMODATE 1 3/4" PAPER TICKET
 FIXED P. LAM. PANEL W/ FIN. NO. (03A)
 BOTH SIDES

NOTE:
 SOLID WOOD GRADE TO BE FAS



7
 F233
 DETAIL
 6" = 1'-0"

8
 F233
 DETAIL
 6" = 1'-0"

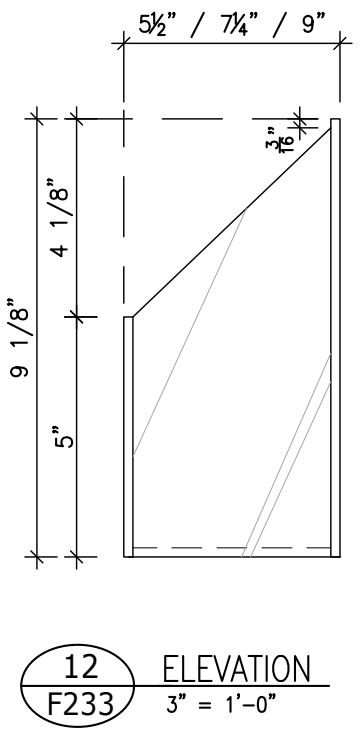
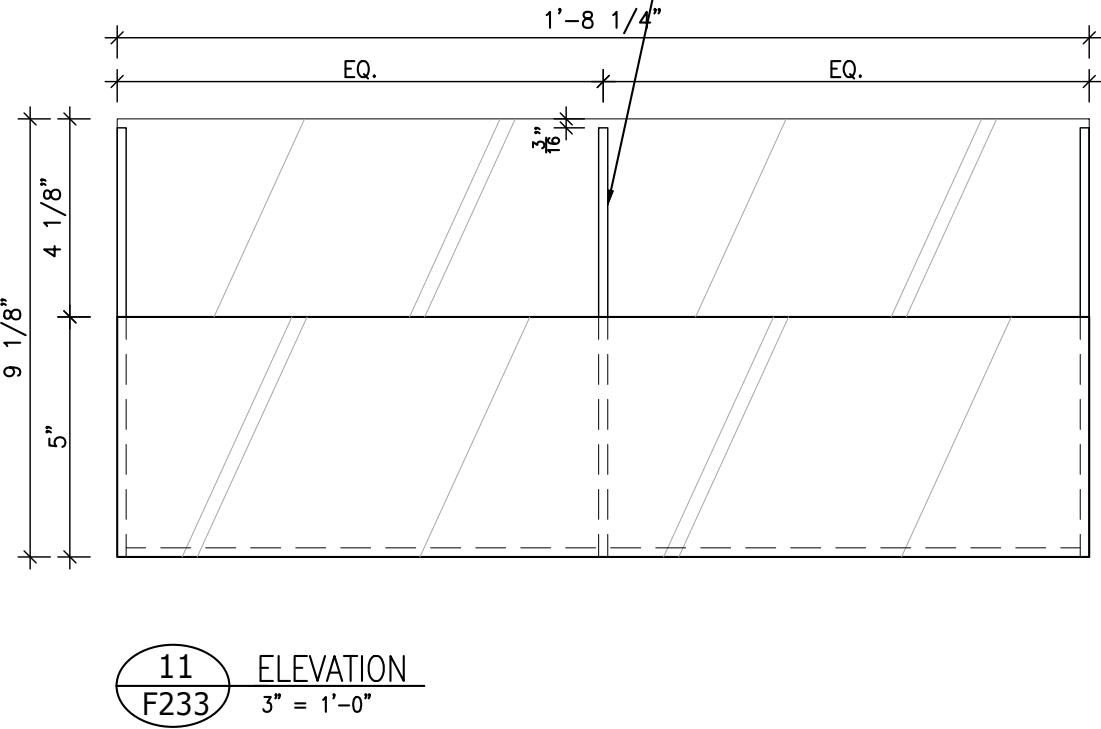
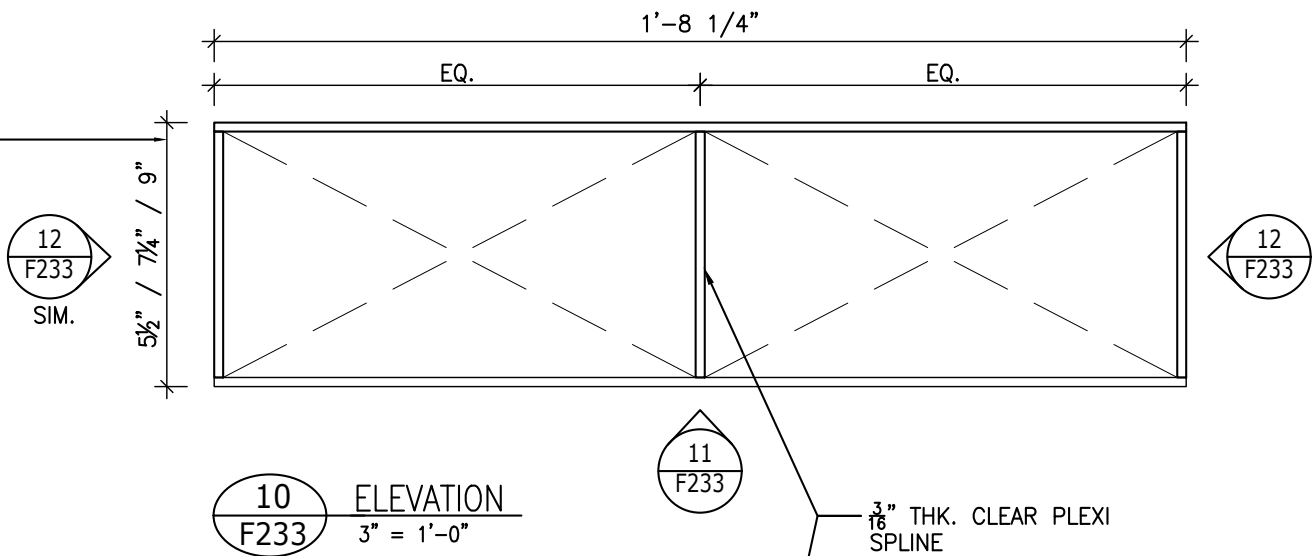


9
 F233
 ISOMETRIC VIEWS - WOOD BLOCK DETAIL
 AT TICKET MOULDING

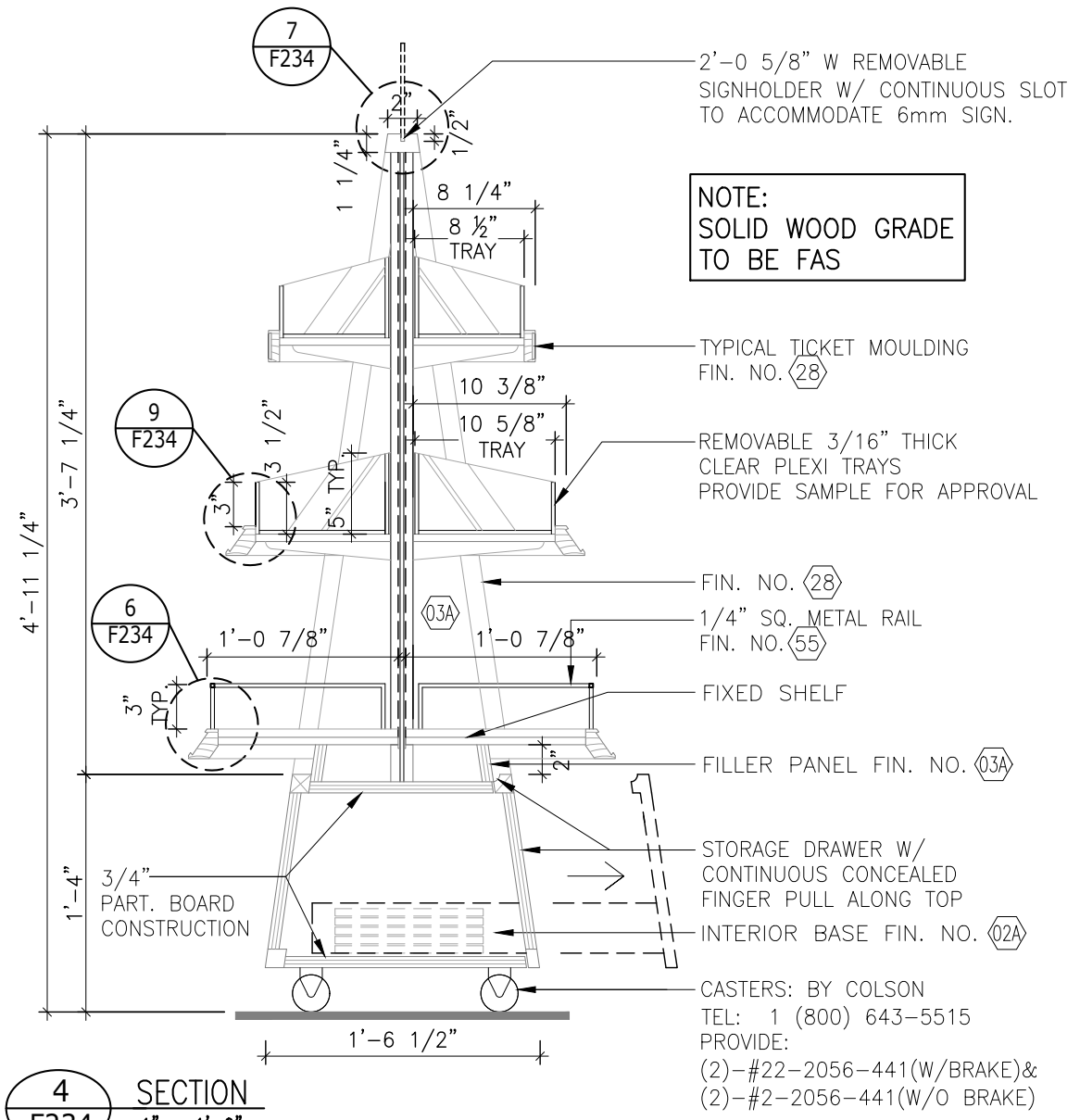
LCBO	200 GENERAL LIST	REVISION DATE	REV.	3 OF 4	ISSUE DATE	STORE TYPE	STORE #
	FOOD & DRINK STAND	2017 NOV	15	F233	2021 APR		

NOTE:
 CLEAR PLEXI HOLDER DEPTHS VARY:
 TOP SHELF PLEXI HOLDER IS 5 1/2" DEEP.
 MIDDLE SHELF PLEXI HOLDER IS 7 1/4" DEEP.
 BOTTOM SHELF PLEXI HOLDER IS 9" DEEP.

NOTE:
 FOOD & DRINK CLEAR PLEXI INSERT BY MILLWORK CONTRACTOR TO BE CONSTRUCTED OF 1/4" THK. CLEAR PLEXI GLASS. PLEXI BASE REQUIRED.
 (1) PER SHELF REQUIRED.



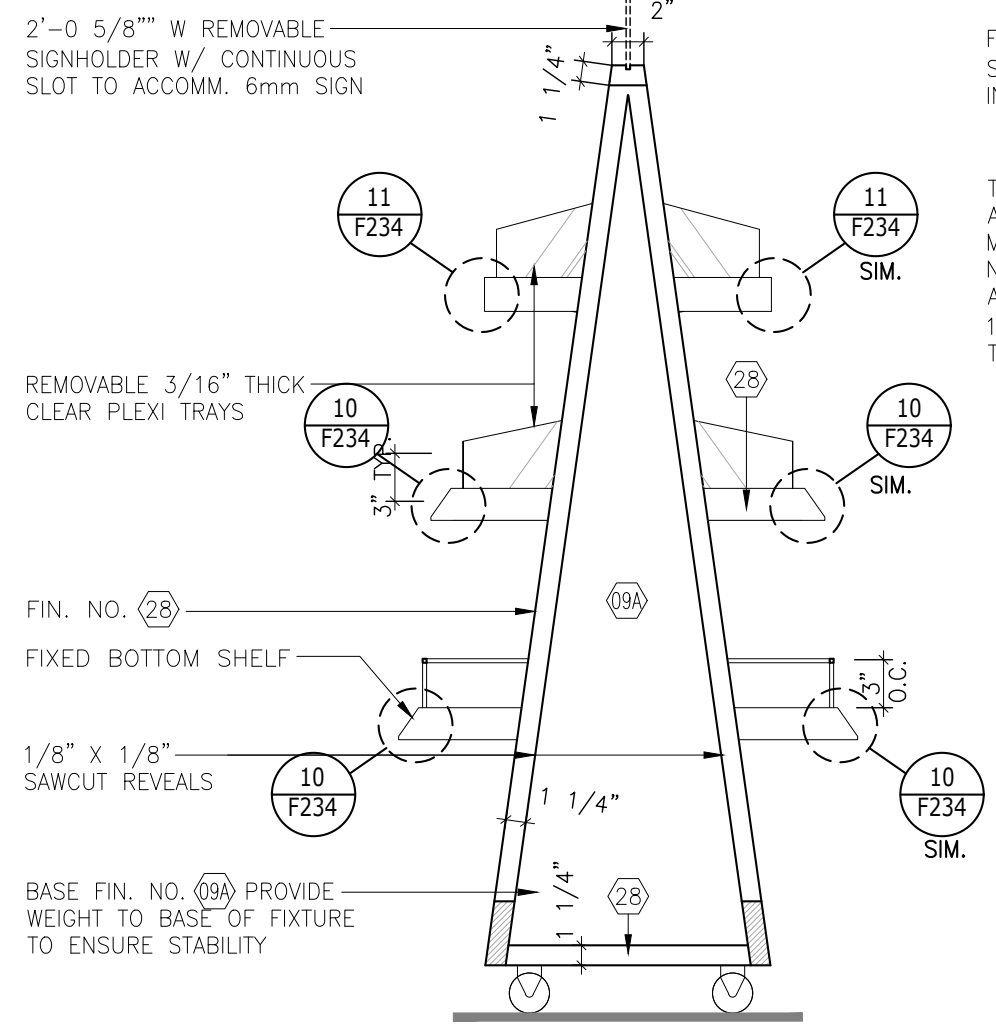
LCBO	200 GENERAL LIST	REVISION DATE	REV.	4 OF 4	ISSUE DATE	STORE TYPE	STORE #
	FOOD & DRINK STAND - PLEXI INSERT	2017 NOV	15	F233	2021 APR		



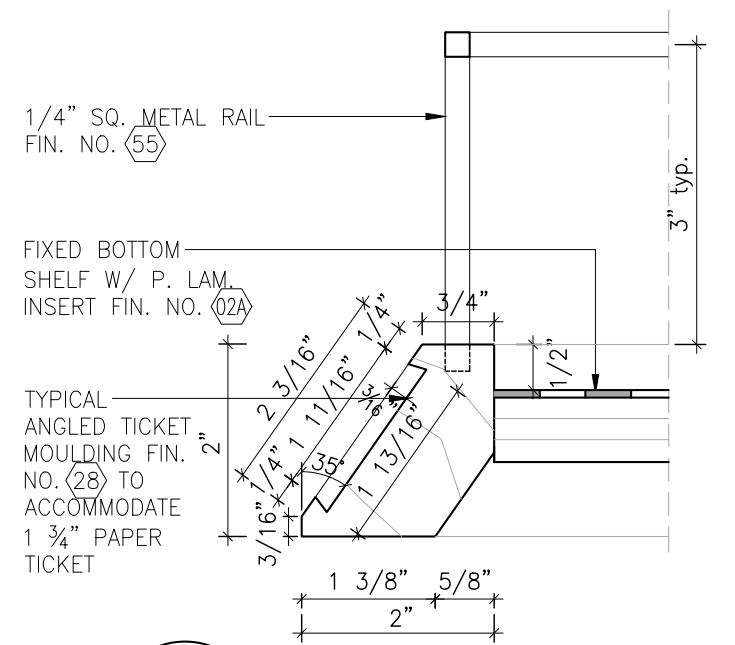
4 SECTION
F234 1" = 1'-0"

MILLWORK CONTRACTOR TO PROVIDE 8 CLEAR PLEXI TRAYS PER FIXTURE.

ALL SCREWS IN METAL CORNER GUARDS TO MATCH FINISH OF CORNER GUARDS AND TO BE COUNTERSUNK.



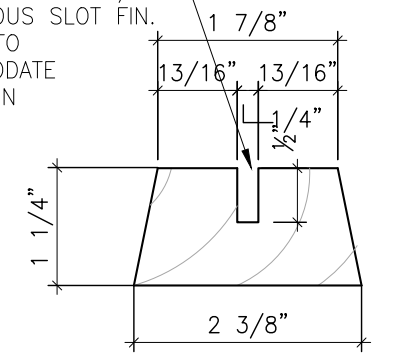
5 SIDE ELEVATION
F234 1" = 1'-0"



6 DETAIL
F234 6" = 1'-0"

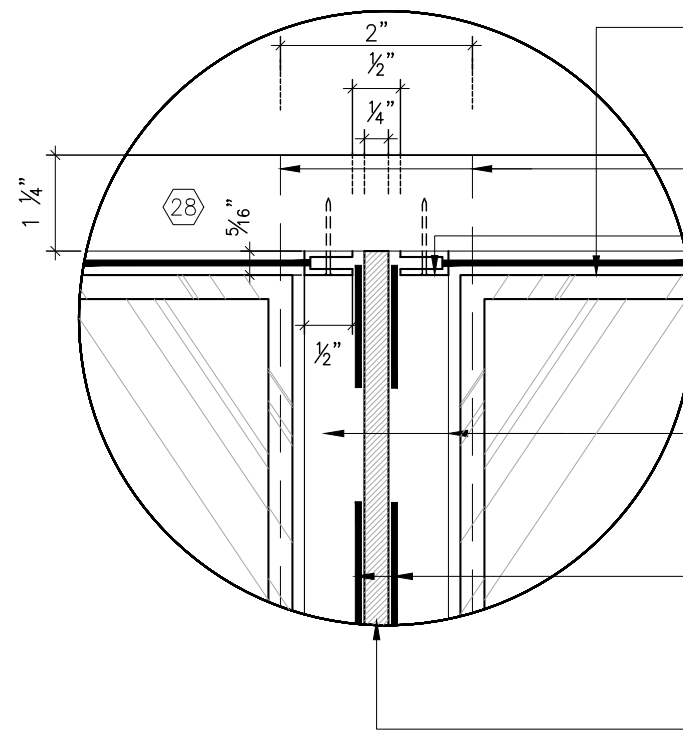
OBTAIN SAMPLE SIGN FROM LCBO TO ENSURE PROPER FIT

2'-0 5/8" W REMOVABLE SIGNAGE HOLDER W/ CONTINUOUS SLOT FIN. NO. (28) TO ACCOMMODATE 6mm SIGN



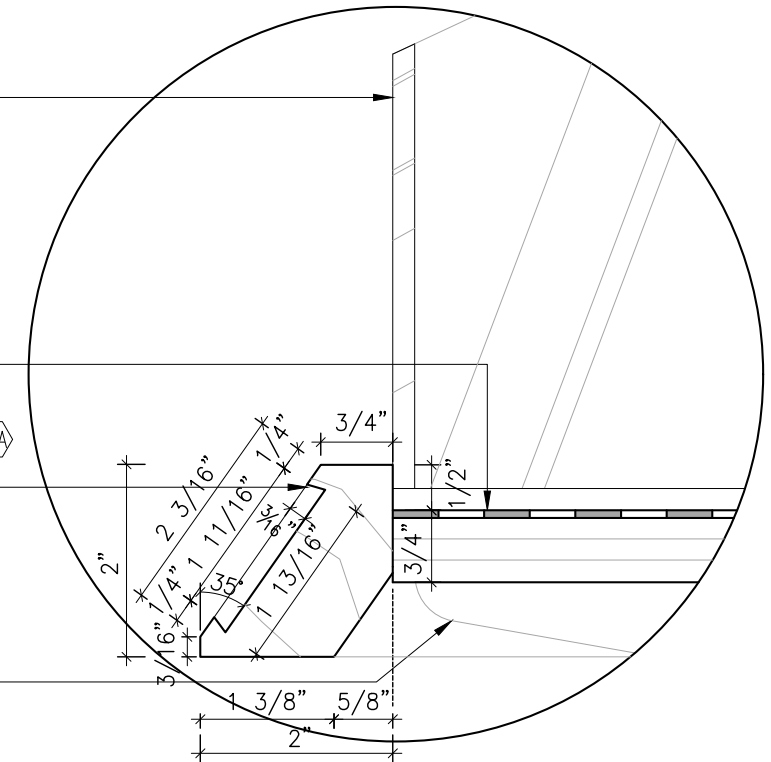
7 DETAIL
F234 6" = 1'-0"

LCBO	200 GENERAL LIST	REVISION DATE	REV.	2 of 3	ISSUE DATE	STORE TYPE	STORE #
	'A' FRAME FIXTURE	2019 APR	16	F234	2021 APR		



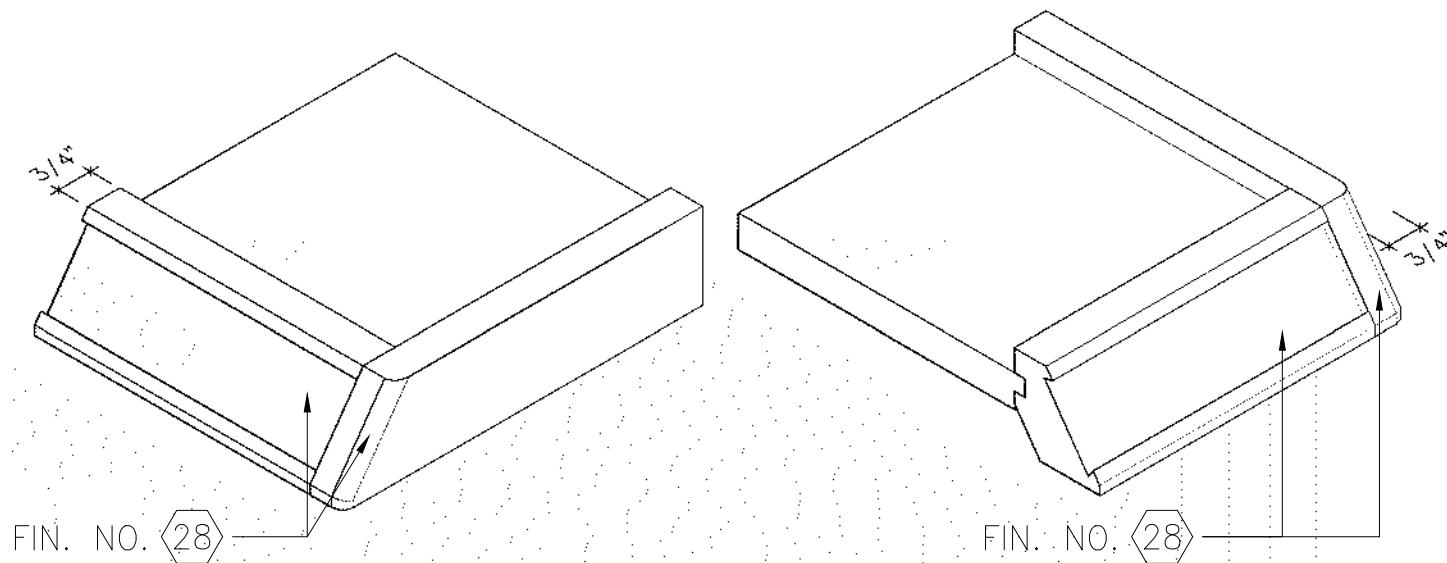
- REMOVABLE 3/16" THK. CLEAR PLEXI TRAY C/W CLEAR PLEXI BASE
- DOTTED LINES OF REMOVABLE WOOD CAP ABOVE
- SINGLE SLOTTED METAL STANDARD FIN. NO. (55) SCREWED TO PANEL THROUGH SIDE
- ADJUSTABLE SHELF W/ P. LAM. INSERT FIN. NO. (02A)
- FILLER PANEL BELOW FIN. NO. (03A)
- TYPICAL ANGLED TICKET MOULDING FIN. NO. (28) TO ACCOMMODATE 1 3/4" PAPER TICKET
- DOTTED LINES OF REMOVABLE 1/16" THICK LAMINATED P.O.P.
- METAL BRACKET FIN. NO. (55)
- FIXED PANEL W/ P. LAM. FIN. NO. (02A) BOTH SIDES

8 DETAIL
F234 6" = 1'-0"



9 DETAIL
F234 6" = 1'-0"

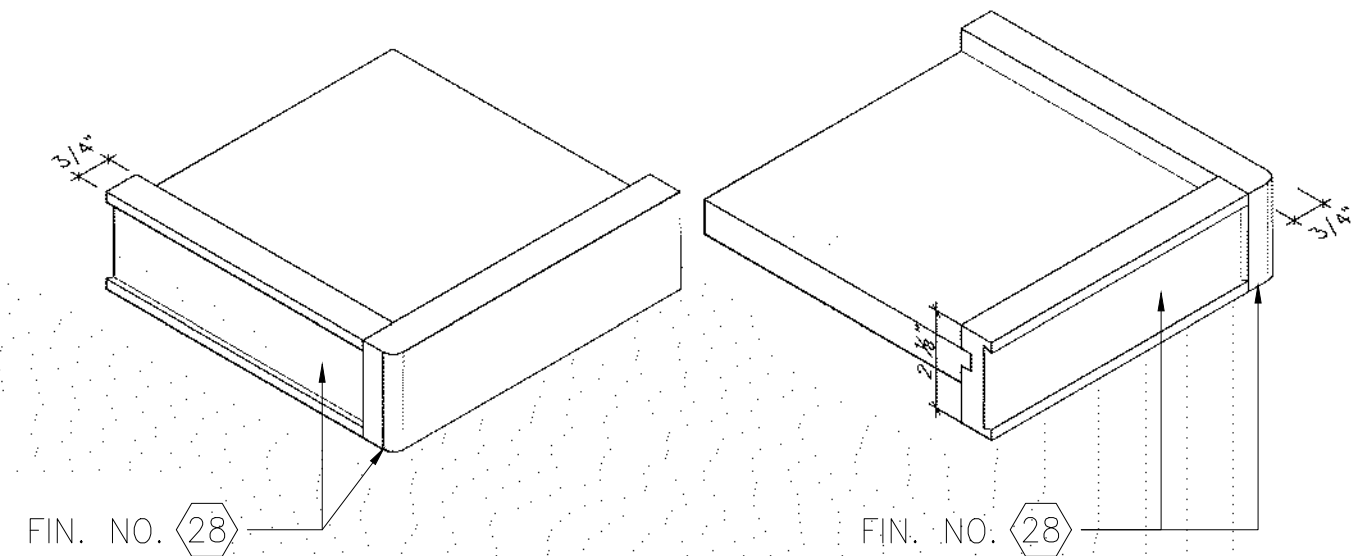
NOTE:
SOLID WOOD GRADE TO BE FAS



FIN. NO. (28)

FIN. NO. (28)

10 ISOMETRIC VIEWS - ANGLED WOOD BLOCK DETAIL
F234 AT SHELF TICKET MOULDING



FIN. NO. (28)

FIN. NO. (28)

11 ISOMETRIC VIEWS - STRAIGHT WOOD BLOCK DETAIL
F234 AT LOWEST SHELF TICKET MOULDING

LCBO	200 GENERAL LIST	REVISION DATE	REV.	3 of 3	ISSUE DATE	STORE TYPE	STORE #
	'A' FRAME FIXTURE	2019 APR	16	F234	2021 APR		

MAX. HEIGHT VISUAL OPENING OF P.O.P. ->
 3'-2 1/2" MAX. WIDTH VISUAL OPENING OF
 P.O.P. -> 1'-9" L.C.B.O. TO CONFIRM

DOTTED LINE OF REMOVABLE SIGN
 (2'-0 5/8" W) SUPPLIED BY LCBO
 2'-0 5/8" W REMOVABLE SIGNHOLDER

W/ CONTINUOUS SLOT TO
 ACCOMMODATE 6mm SIGN.

P.O.P. REMOVABLE FROM TOP
 3'-2 1/2" H (V.O.) x 1'-9"
 W (V.O.) 3'-3 3/8" H x 1'-10"
 W (ACTUAL P.O.P. SIZE)

CHALKBOARD LINES FIN.
 SEE SPEC. THIS PAGE

FIN. NO. (28)

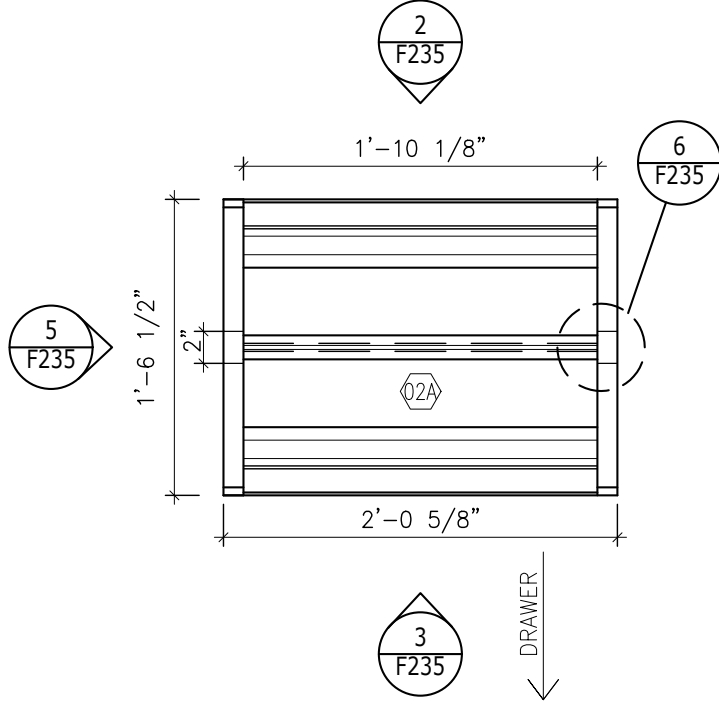
1/2" METAL CHANNEL FIN.
 NO. (24) TO TOP, BOTTOM,
 AND SIDES TO SUPPORT
 GRAPHIC

BASE FIN. NO. (09A)
 PROVIDE 1/2" THK. METAL
 PLATE WITHIN BASE TO
 INCREASE STABILITY

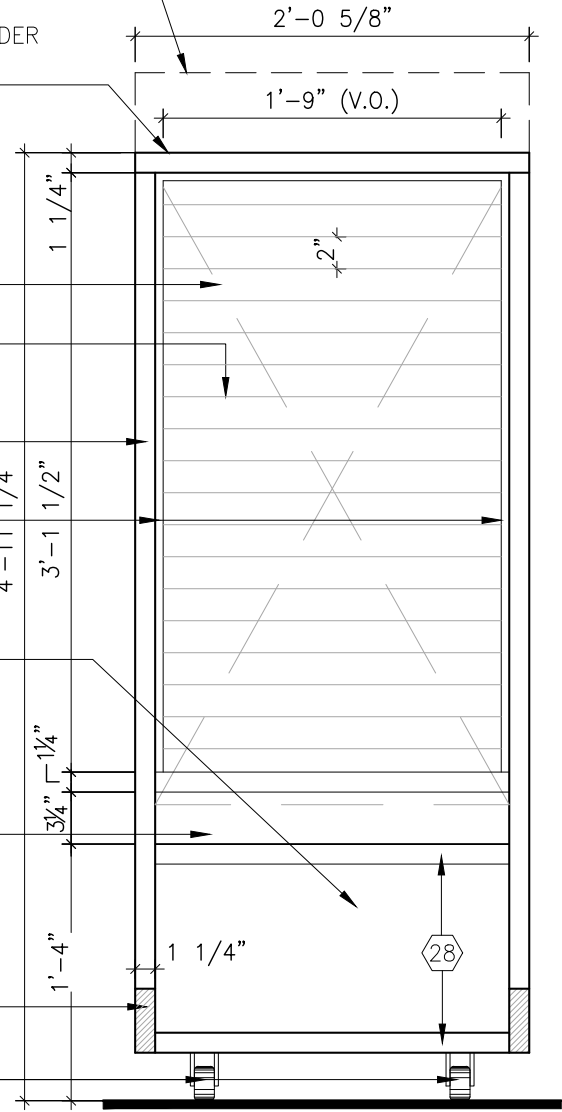
P.LAM FILLER PANEL
 FIN. NO. (03A)

4" H METAL CORNER GUARDS FIN.
 NO. (24)

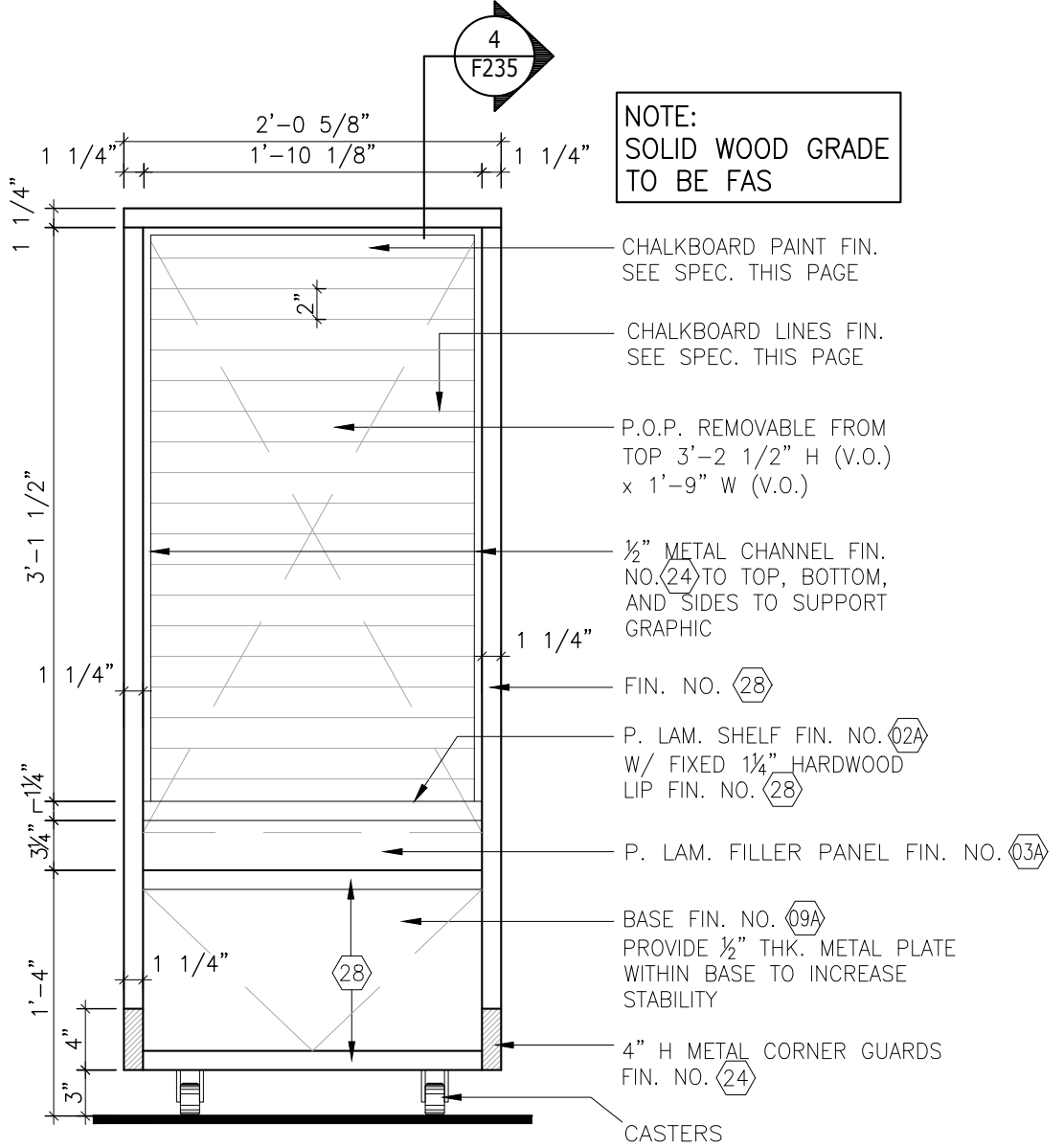
CASTERS SPEC: BY COLSON
 TEL: 1 (800) 643-5515
 PROVIDE:
 (2) - #22 - 2056-441 (W/BRAKE)
 (2) - #2 - 2056-441 (W/O BRAKE)



1 PLAN
 F235 1" = 1'-0"



2 BACK ELEVATION
 F235 1" = 1'-0"

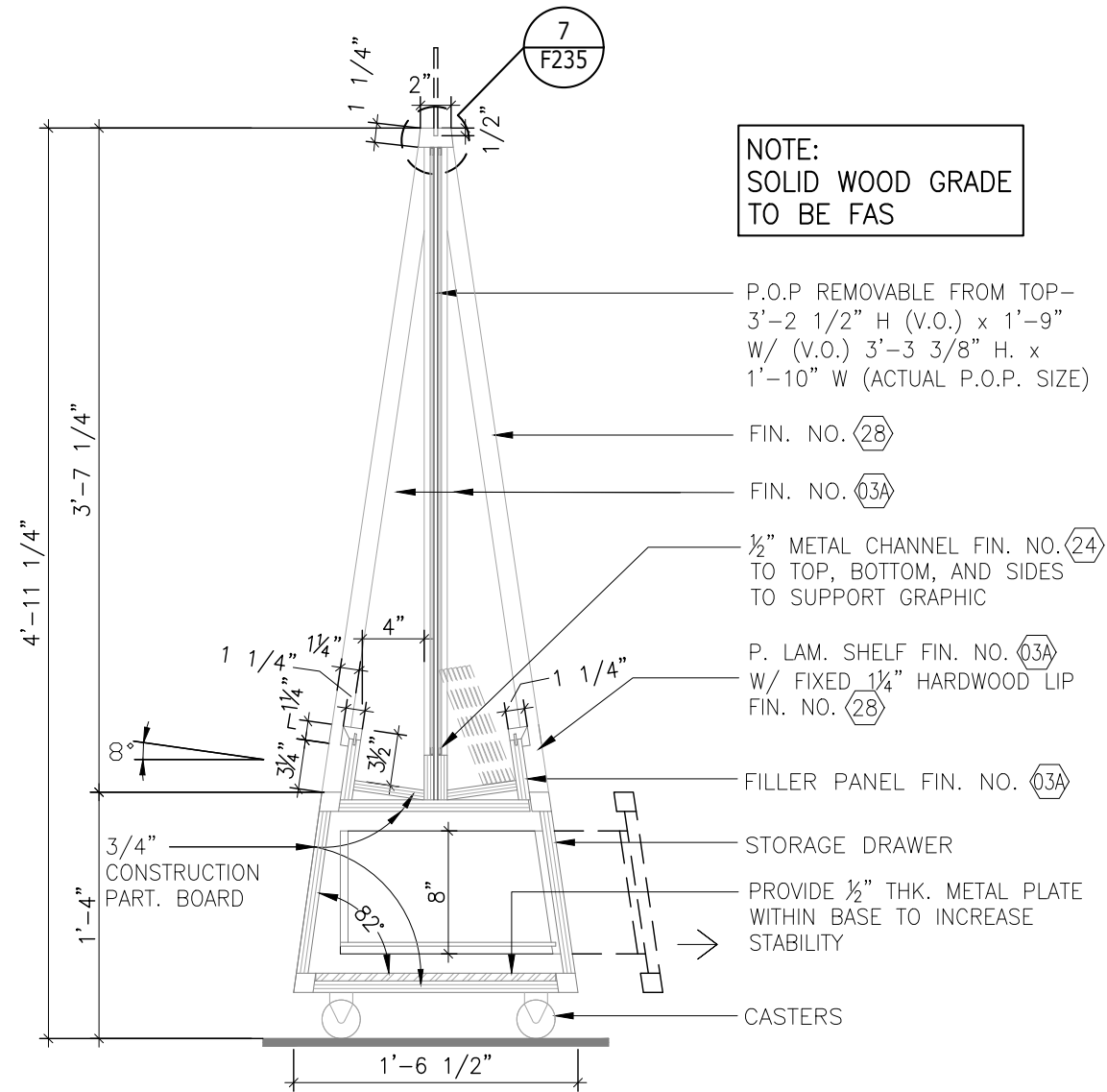


3 FRONT ELEVATION
 F235 1" = 1'-0"

NOTE:
 SOLID WOOD GRADE
 TO BE FAS

- CHALKBOARD PAINT FIN.
SEE SPEC. THIS PAGE
- CHALKBOARD LINES FIN.
SEE SPEC. THIS PAGE
- P.O.P. REMOVABLE FROM
TOP 3'-2 1/2" H (V.O.)
x 1'-9" W (V.O.)
- 1/2" METAL CHANNEL FIN.
NO. (24) TO TOP, BOTTOM,
AND SIDES TO SUPPORT
GRAPHIC
- FIN. NO. (28)
- P. LAM. SHELF FIN. NO. (02A)
W/ FIXED 1/4" HARDWOOD
LIP FIN. NO. (28)
- P. LAM. FILLER PANEL FIN. NO. (03A)
- BASE FIN. NO. (09A)
PROVIDE 1/2" THK. METAL
PLATE WITHIN BASE TO INCREASE
STABILITY
- 4" H METAL CORNER GUARDS
FIN. NO. (24)
- CASTERS

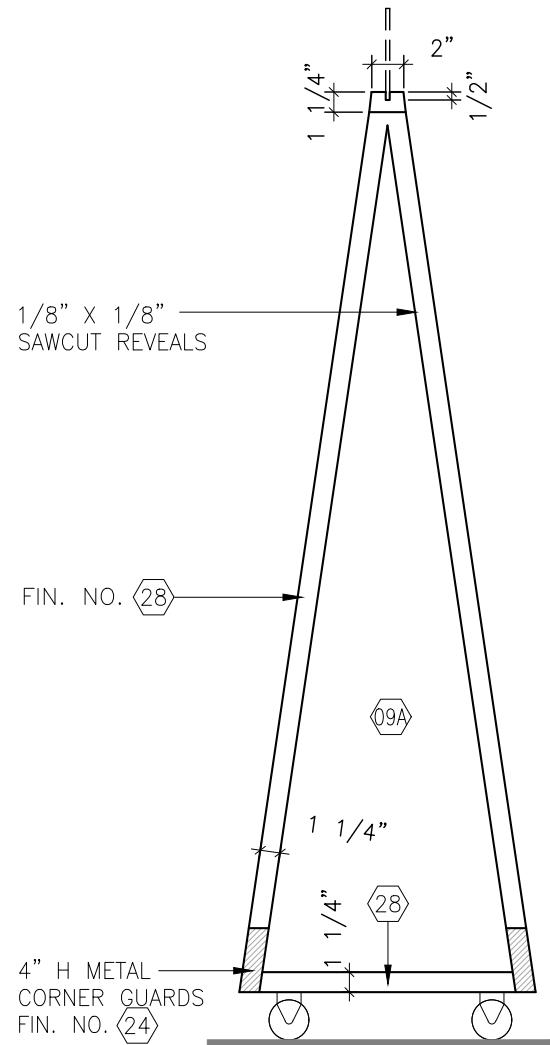
LCBO	200 GENERAL LIST	REVISION DATE	REV.	1 of 2	ISSUE DATE	STORE TYPE	STORE #
	SPECIAL EVENTS STAND	2017 NOV	15	F235	2021 APR		



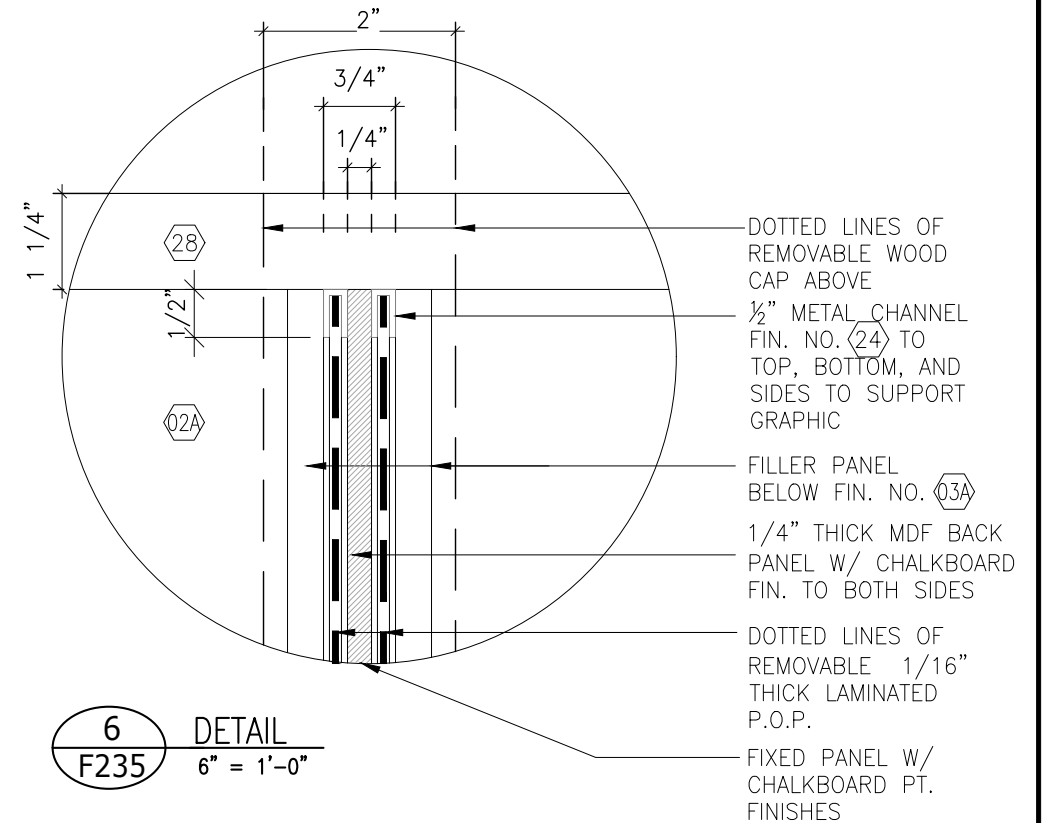
NOTE:
SOLID WOOD GRADE
TO BE FAS

- P.O.P REMOVABLE FROM TOP-
3'-2 1/2" H (V.O.) x 1'-9"
W/ (V.O.) 3'-3 3/8" H. x
1'-10" W (ACTUAL P.O.P. SIZE)
- FIN. NO. (28)
- FIN. NO. (03A)
- 1/2" METAL CHANNEL FIN. NO. (24)
TO TOP, BOTTOM, AND SIDES
TO SUPPORT GRAPHIC
- P. LAM. SHELF FIN. NO. (03A)
W/ FIXED 1/4" HARDWOOD LIP
FIN. NO. (28)
- FILLER PANEL FIN. NO. (03A)
- STORAGE DRAWER
- PROVIDE 1/2" THK. METAL PLATE
WITHIN BASE TO INCREASE
STABILITY
- CASTERS

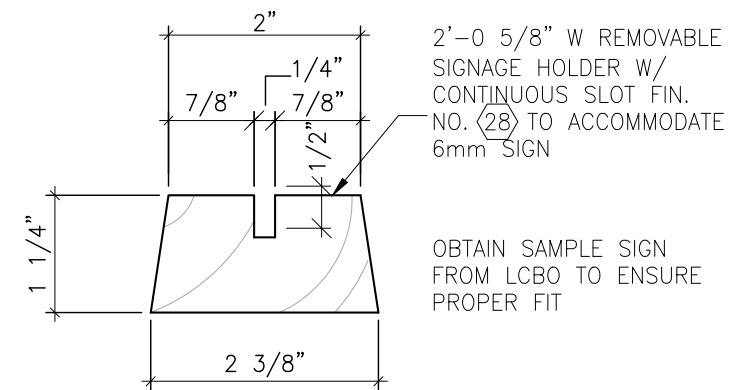
4 SECTION
F235 1" = 1'-0"



5 SIDE ELEVATION
F235 1" = 1'-0"

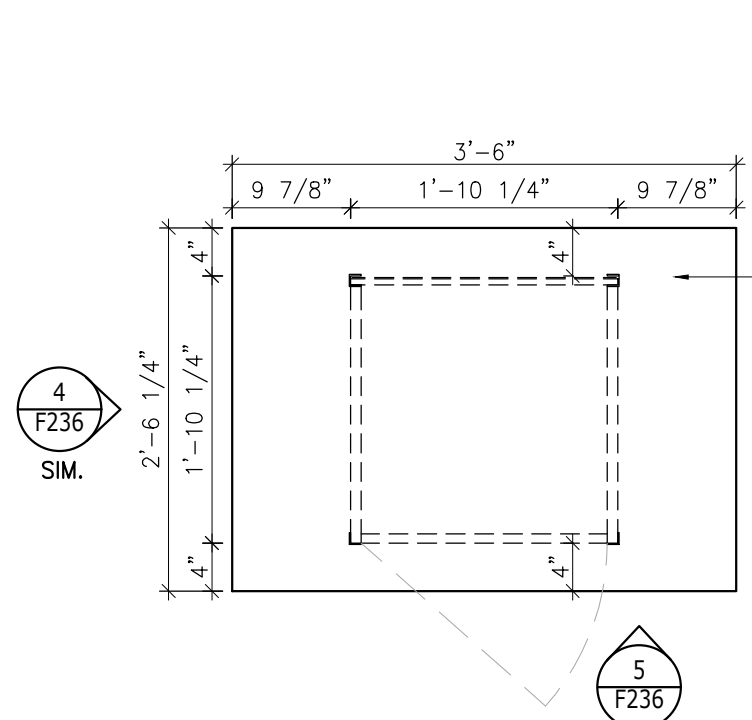


6 DETAIL
F235 6" = 1'-0"



7 DETAIL
F235 6" = 1'-0"

LCBO	200 GENERAL LIST	REVISION DATE	REV.	2 of 2	ISSUE DATE	STORE TYPE	STORE #
	SPECIAL EVENTS STAND	2017 NOV	15	F235	2021 APR		

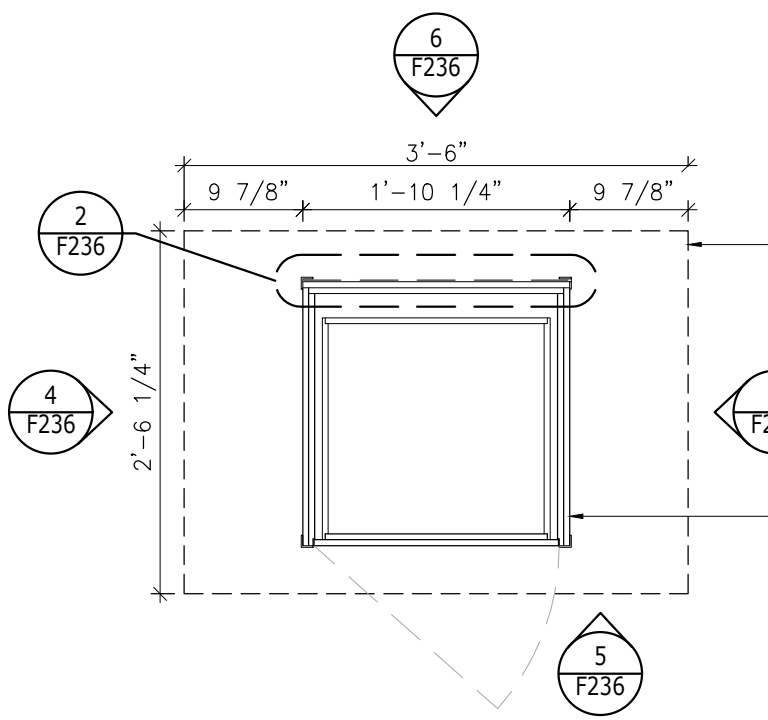


1 PLAN
F236 3/4" = 1'-0"

P. LAM. TOP FIN. (06) ON PLYWOOD SUBSTRATE W/ MATCHING GREY PVC EDGE

CORNER GUARDS TO BE SECURED WITH COUNTERSUNK SCREWS, PREFINISHED IN FIN. NO. (24)

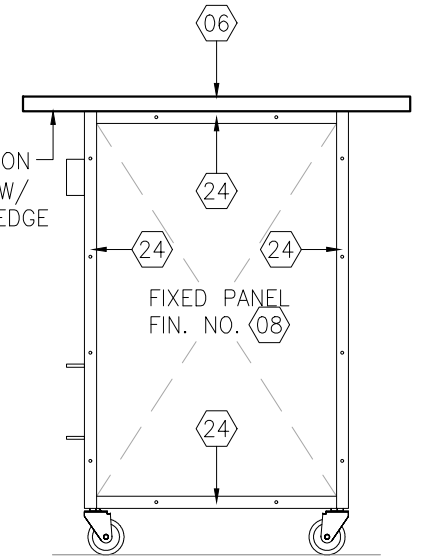
MILLWORK CONTRACTOR TO OBTAIN SAMPLE POSTER FROM LCBO PRIOR TO FABRICATION TO ENSURE PROPER FIT



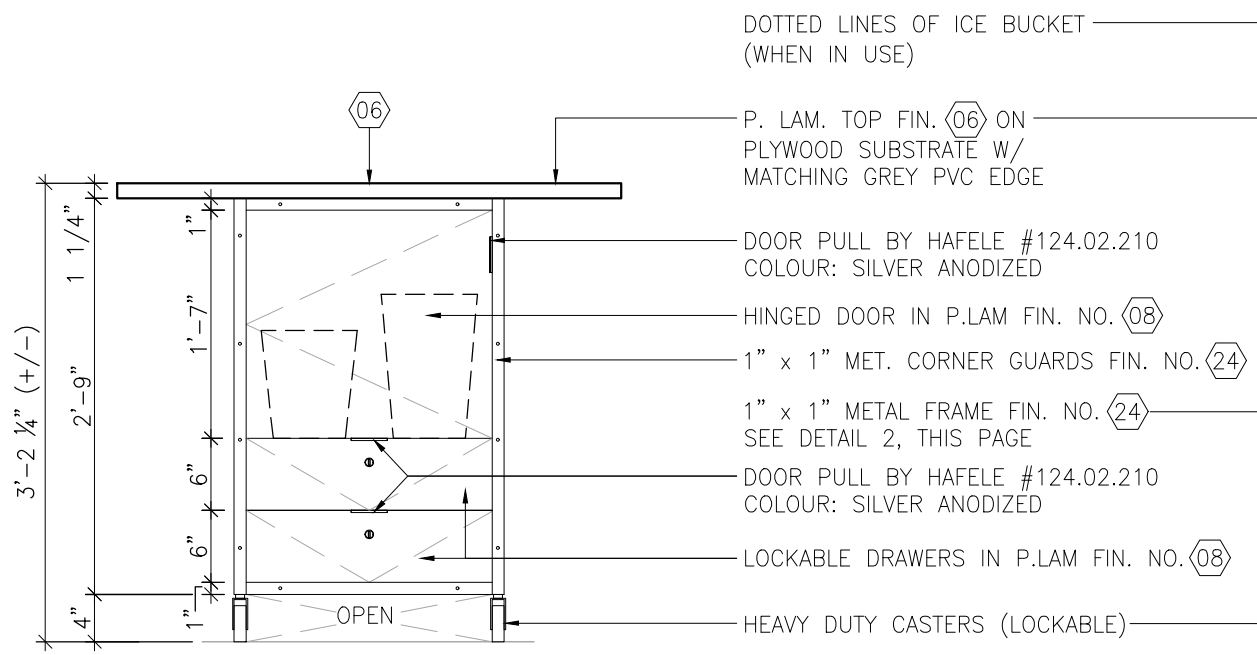
3 PLAN-SECTION
F236 3/4" = 1'-0"

P. LAM. TOP FIN. (06) ON PLYWOOD SUBSTRATE W/ MATCHING GREY PVC EDGE

P. LAM. PANELS FIN. NO. (08)



4 SIDE ELEVATION
F236 3/4" = 1'-0"



5 REAR-ELEVATION
F236 3/4" = 1'-0"

DOTTED LINES OF ICE BUCKET (WHEN IN USE)

P. LAM. TOP FIN. (06) ON PLYWOOD SUBSTRATE W/ MATCHING GREY PVC EDGE

DOOR PULL BY HAFELE #124.02.210 COLOUR: SILVER ANODIZED

HINGED DOOR IN P.LAM FIN. NO. (08)

1" x 1" MET. CORNER GUARDS FIN. NO. (24)

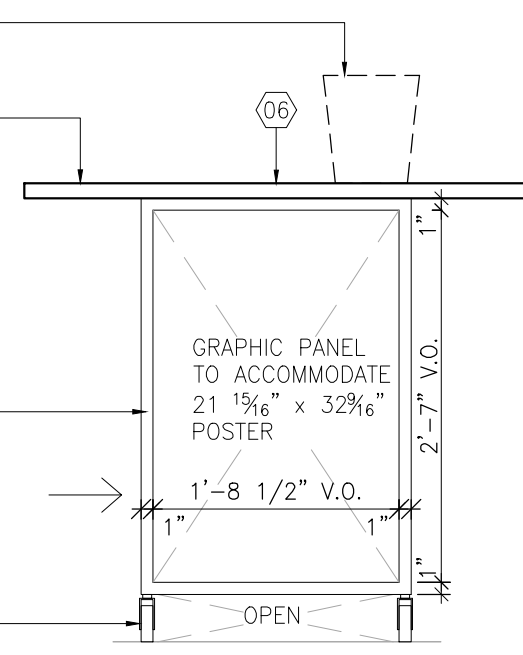
1" x 1" METAL FRAME FIN. NO. (24) SEE DETAIL 2, THIS PAGE

DOOR PULL BY HAFELE #124.02.210 COLOUR: SILVER ANODIZED

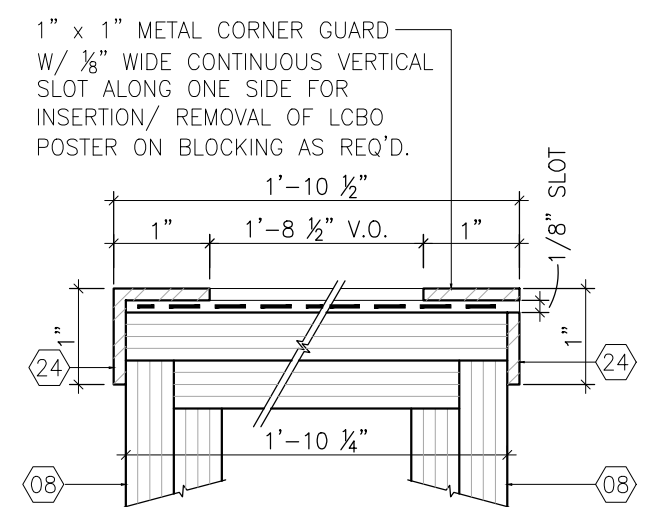
LOCKABLE DRAWERS IN P.LAM FIN. NO. (08)

HEAVY DUTY CASTERS (LOCKABLE)

MILLWORK CONTRACTOR TO PROVIDE 2 WASTE RECEPTACLES WITHIN UNIT. CONFIRM DIMENSIONS PRIOR TO FABRICATION TO ENSURE THAT UNIT WILL ACCOMMODATE 2 RECEPTACLES (1 FOR ICE, 1 FOR DISCARDED PRODUCT)



6 FRONT ELEVATION
F236 3/4" = 1'-0"



2 DETAIL
F236 6" = 1'-0"

LCBO	200 GENERAL LIST	REVISION DATE	REV.	1 of 1	ISSUE DATE	STORE TYPE	STORE #
	PORTABLE TASTING BAR	2021 MAR	17	F236	2021 APR		

POSTER FRAME/WIRE BROCHURE HOLDER
MOUNTING CLIP SPECIFICATION(s):

'E-Z HANG' MOUNTING CLIPS
SIZE: 7/8" W. X 1 1/6" H.
BY: 'E-Z' ANCHOR
AVAILABLE AT CANADIAN TIRE

or

1"x1" FLUSH-MOUNTING CLIPS
#D/N 222-966
AVAILABLE AT HOME DEPOT

ALL MOUNTING CLIPS TO BE FINISHED IN
FINISH NO.24 BY MILLWORK CONTRACTOR

SOLID CURVED BLOCK
DETAIL AT CORNER.
TYPICAL AT ALL EXPOSED
SHELF CORNERS. FIN. NO. (24)

15
F237
TYPICAL FOR
EXPOSED CORNERS
ON ALL SHELVES

3/16" THK. TRANSLUCENT SANDBLASTED
PLEXI PANELS (SUBMIT SAMPLE FOR
APPROVAL) IN 1/2" METAL CHANNEL
FRAME FIN. NO. (55) MITRE ALL
CORNERS

1 1/4" x 3/4" HARDWOOD EDGE FINISH
IN AUTOMOTIVE PAINT FINISH TO
MATCH FIN. NO. (24) (TYP.)

DOTTED LINES 15 3/4" DIA. SIGN
HOLDER ABOVE, SEE DETAIL 4 & 11

METAL P.O.P. FRAME FIN. NO. (24),
FRAME TO ACCOMMODATE 22" x 39
1/2" POSTER. METHOD OF
ATTACHMENT TO SPECIAL PROMOTIONS
UNIT USE (2) SETS OF FLUSH
MOUNTING CLIPS SECURED TO BACK
OF P.O.P. FRAME AND FIXTURE
GABLE. REFER TO NOTE ON THIS
PAGE FOR MOUNTING CLIP
SPECIFICATION.

PARTICLE BOARD SHELVES P. LAM.
FIN. NO. (02) WITH HARDWOOD
ANGLED TICKET MOULDING IN
AUTOMOTIVE PAINT FINISH TO MATCH
FIN. NO. (24) WITH 2" x 2"
HARDWOOD CORNER ALSO IN FIN.
NO. (24) WITH EASED EDGE. SHELVES
ON SLIDING SHELF HARDWARE, SEE
DETAILS 12-14

15 3/4" DIA. SIGN HOLDER SEE DET. 4 & 11,
DWG. F-237, CIRCUMFERENCE=47" ACTUAL
SIZE OF GRAPHIC IS 47 1/2"W x 6 3/8"H

PROVIDE 1/8"W x 1/4"D ANGLED SLOT (TOP
& BOTTOM) ON CENTER OF METAL LEG FOR
INSERTION OF GRAPHIC

1/2" DIA. METAL LEGS FIN. NO. (24) (QTY=4)

1/2" x 1/2" METAL CHANNEL FRAME FIN. NO. (55)
(MITRE ALL CORNERS) SECURED TO 1 1/4"
x 3/4" HARDWOOD EDGE

DOTTED LINES OF METAL P.O.P. FRAME
FIN. NO. (24) FRAME TO ACCOMMODATE
22" x 39 1/2" POSTER. REFER TO DET
1 - F237 FOR METHOD OF ATTACHMENT
TO MIXED DRINK UNIT, ALSO TO BE
FINISHED IN FIN. NO. (24)

1/2" GAP
AT BACK OF
SHELVES (TYP.)
SEE 16/F237

1 1/4" x 3/4" HARDWOOD EDGE FINISH IN
AUTOMOTIVE PAINT FINISH TO MATCH
FIN. NO. (24) (TYP.)

HEAVY DUTY SINGLE-SLOTTED STANDARD
BY KEMBER OR LCBO APPROVED EQUAL
IN FIN. NO. (55) SECURED THRU SIDE OF
STANDARD W/ COUNTERSUNK SCREWS

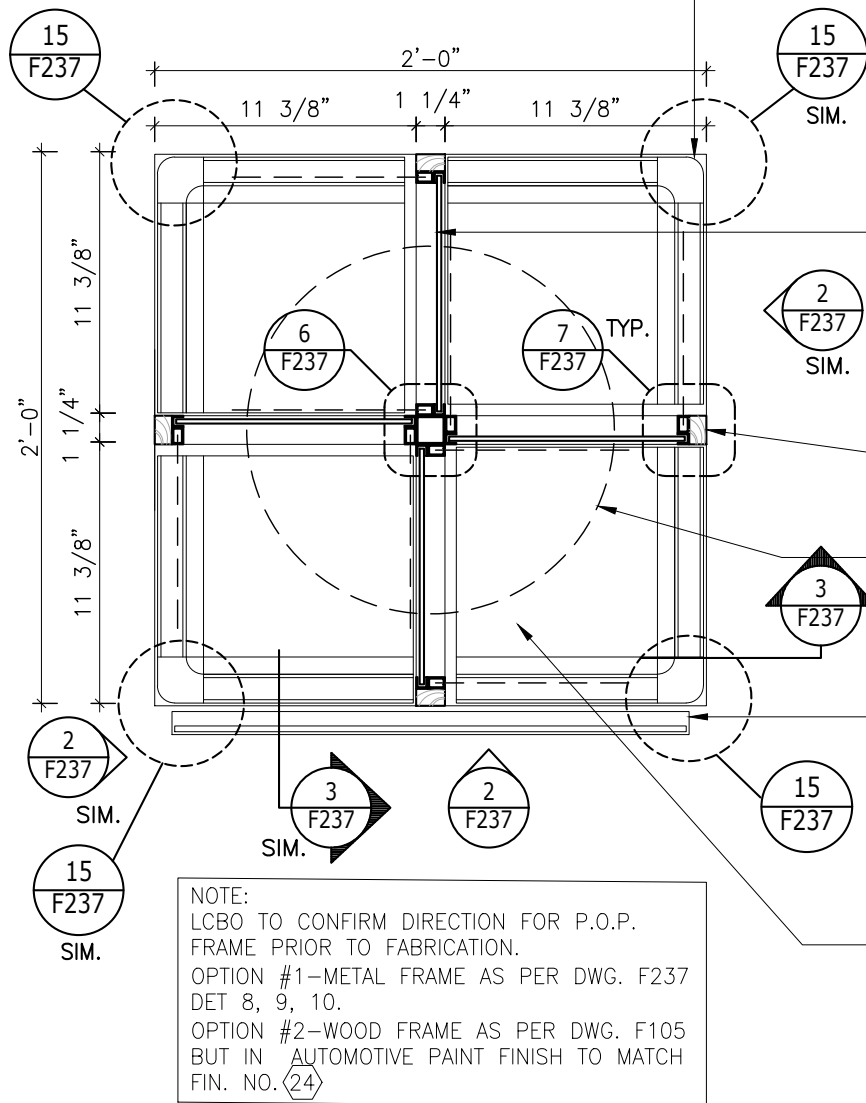
PARTICLE BOARD SHELVES P. LAM. FIN.
NO. (02) WITH HARDWOOD ANGLED TICKET
MOULDING IN AUTOMOTIVE PAINT FINISH TO
MATCH FIN. NO. (24) WITH 2" x 2"
HARDWOOD CORNER ALSO IN FIN. NO. (24)
WITH EASED EDGE. SHELVES ON SLIDING
SHELF HARDWARE, SEE DWG. F237, DET,
12,13,14

METAL SHELF BRACKET FIN. NO. (55)

3/16" THK. TRANSLUCENT SANDBLASTED
PLEXI PANELS (SUBMIT SAMPLE FOR
APPROVAL) IN 1/2" METAL CHANNEL
FRAME FIN. NO. (55) MITRE ALL CORNERS

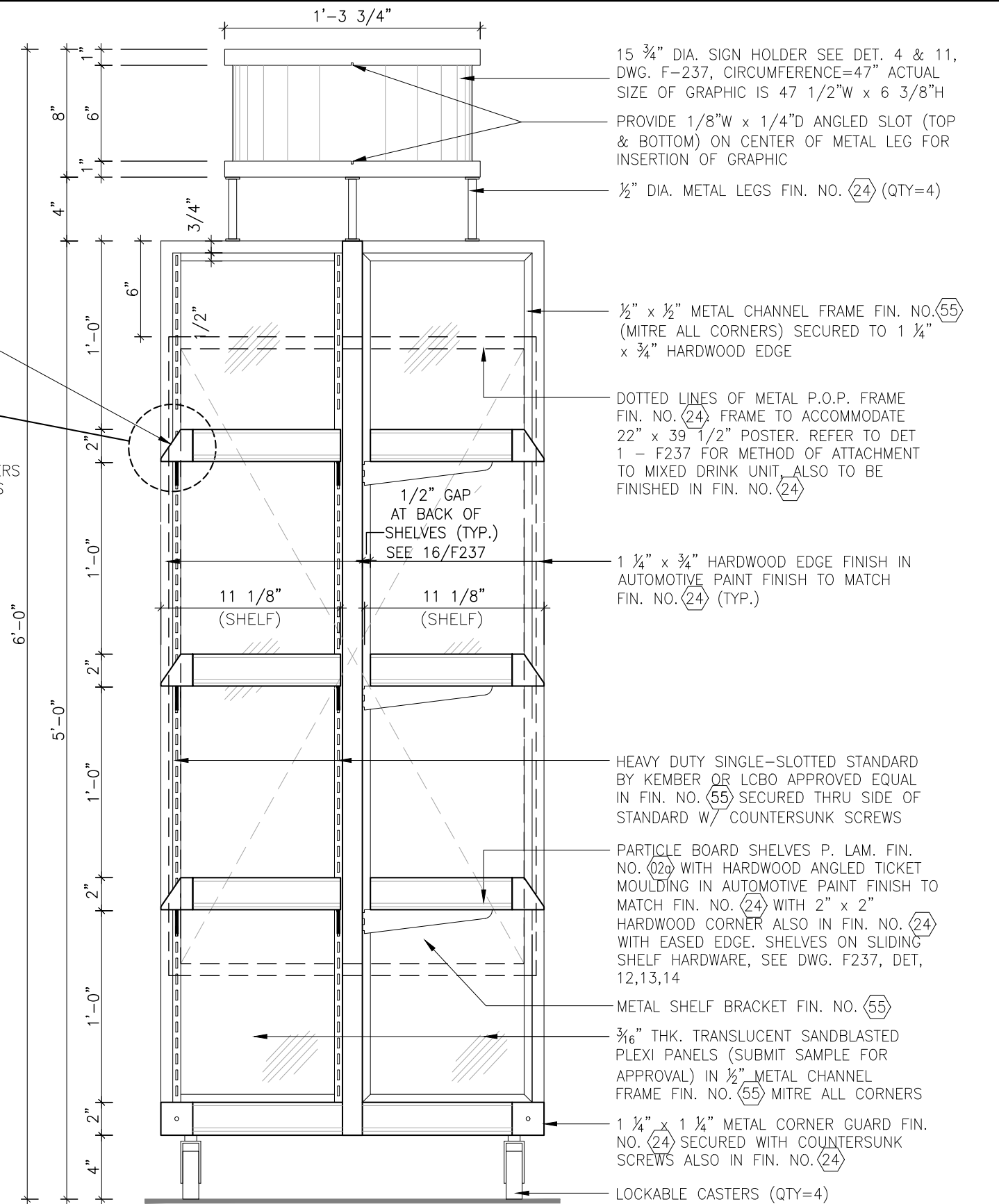
1 1/4" x 1 1/4" METAL CORNER GUARD FIN.
NO. (24) SECURED WITH COUNTERSUNK
SCREWS ALSO IN FIN. NO. (24)

LOCKABLE CASTERS (QTY=4)



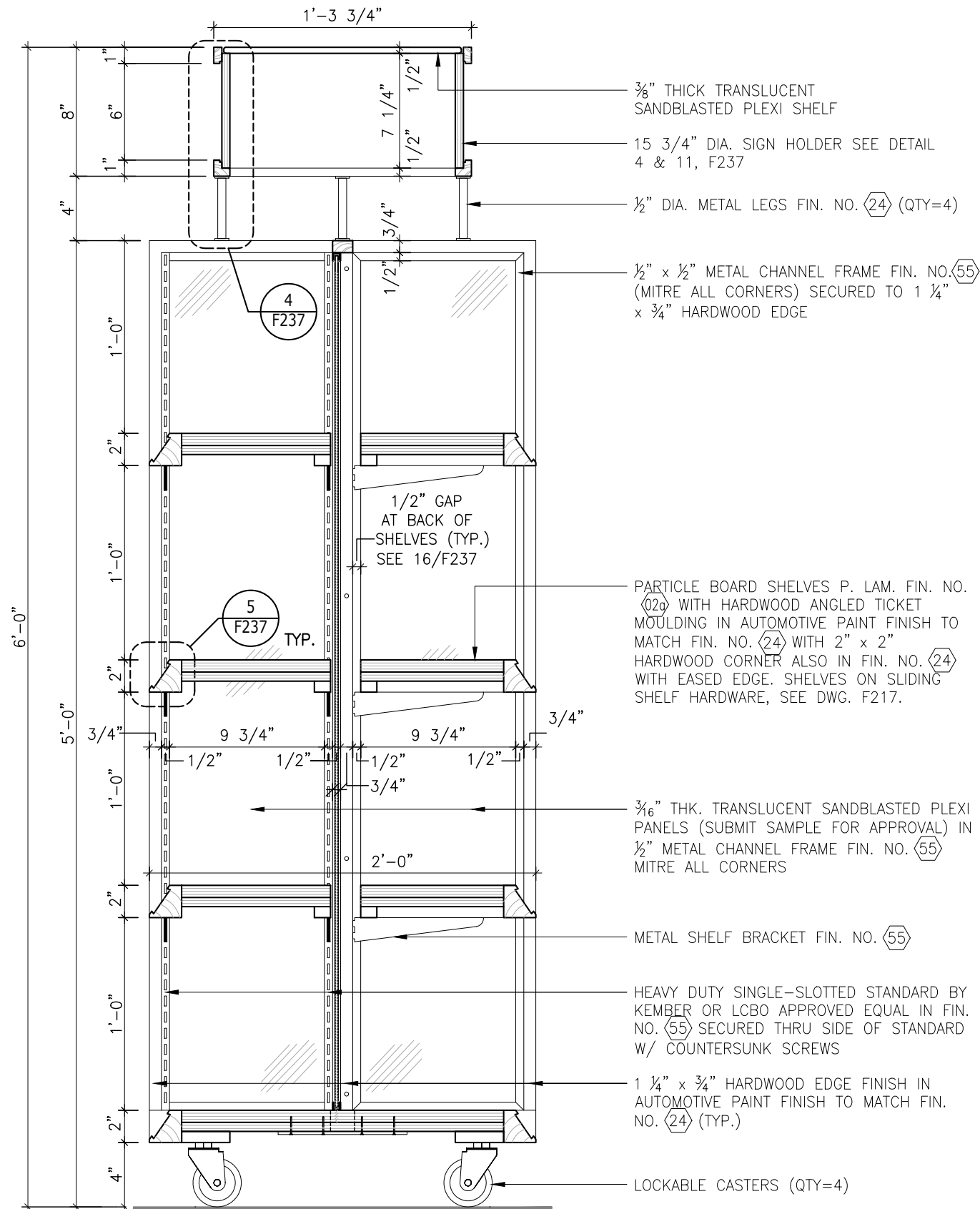
NOTE:
LCBO TO CONFIRM DIRECTION FOR P.O.P.
FRAME PRIOR TO FABRICATION.
OPTION #1-METAL FRAME AS PER DWG. F237
DET 8, 9, 10.
OPTION #2-WOOD FRAME AS PER DWG. F105
BUT IN AUTOMOTIVE PAINT FINISH TO MATCH
FIN. NO. (24)

1 PLAN
F237 1 1/2" = 1'-0"

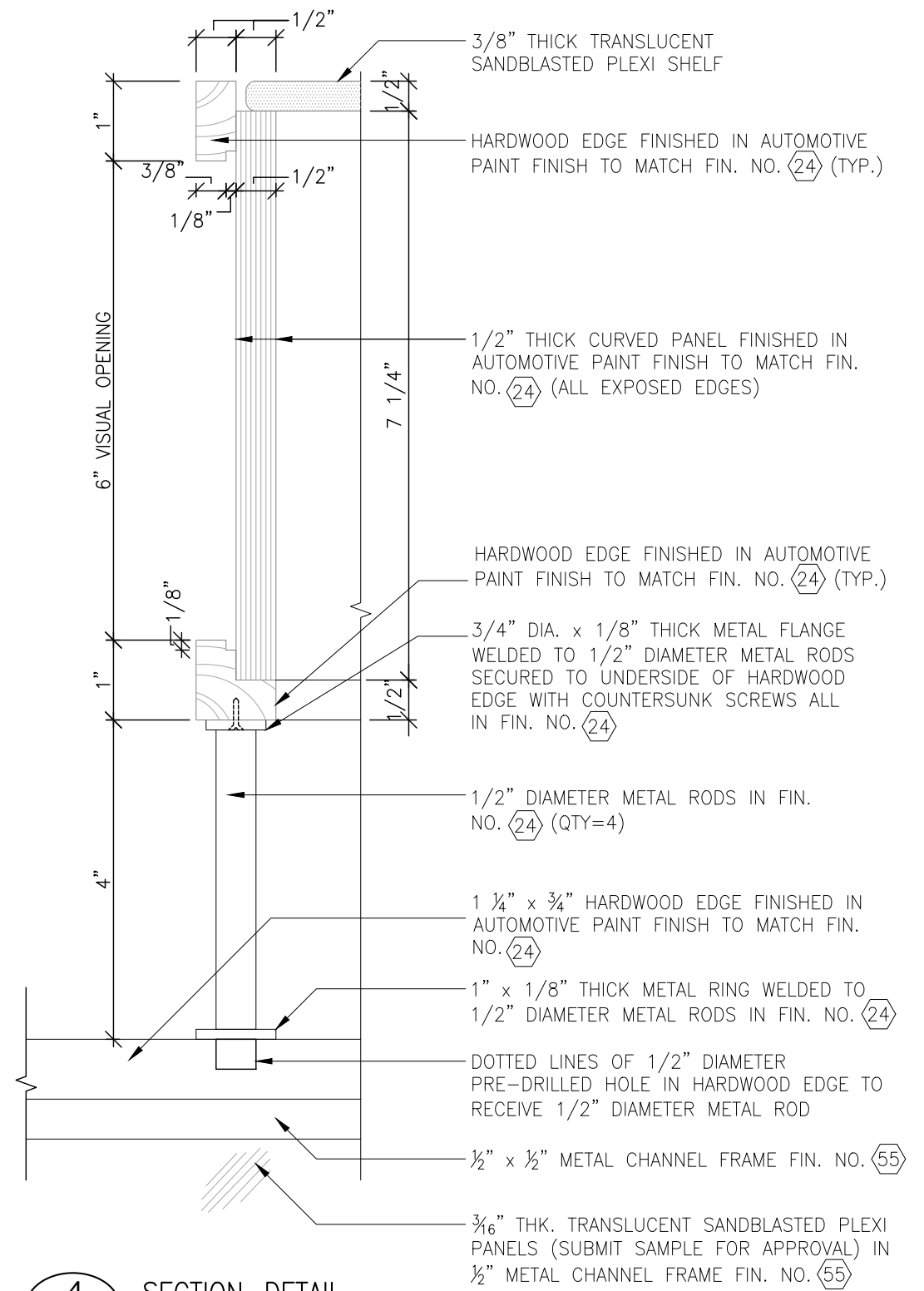


2 ELEVATION
F237 1 1/2" = 1'-0"

LCBO	200 GENERAL LIST	REVISION DATE	REV.	1 of 4	ISSUE DATE	STORE TYPE	STORE #
	'IMPULSE' FIXTURE	2021 MAR	17	F237	2021 APR		

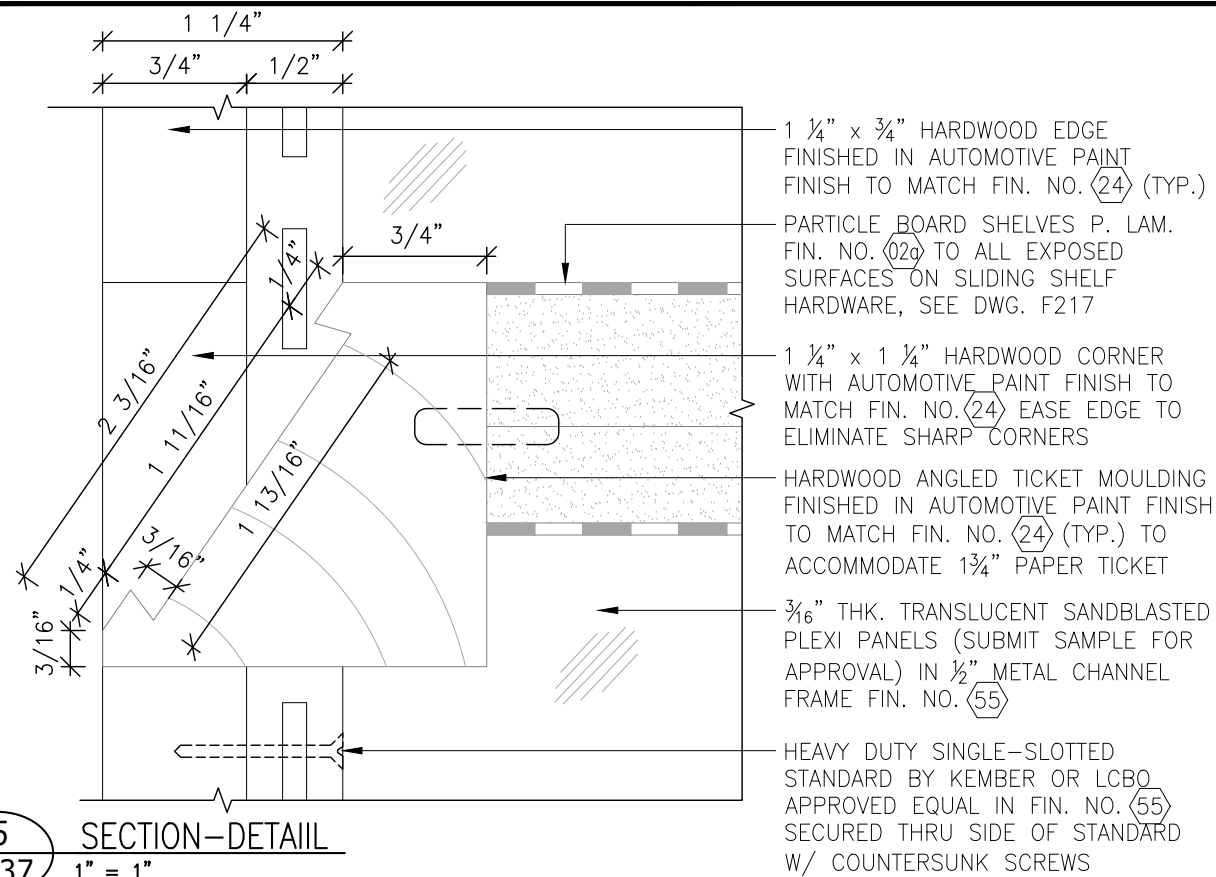


3 SECTION
F237 1 1/2" = 1'-0"



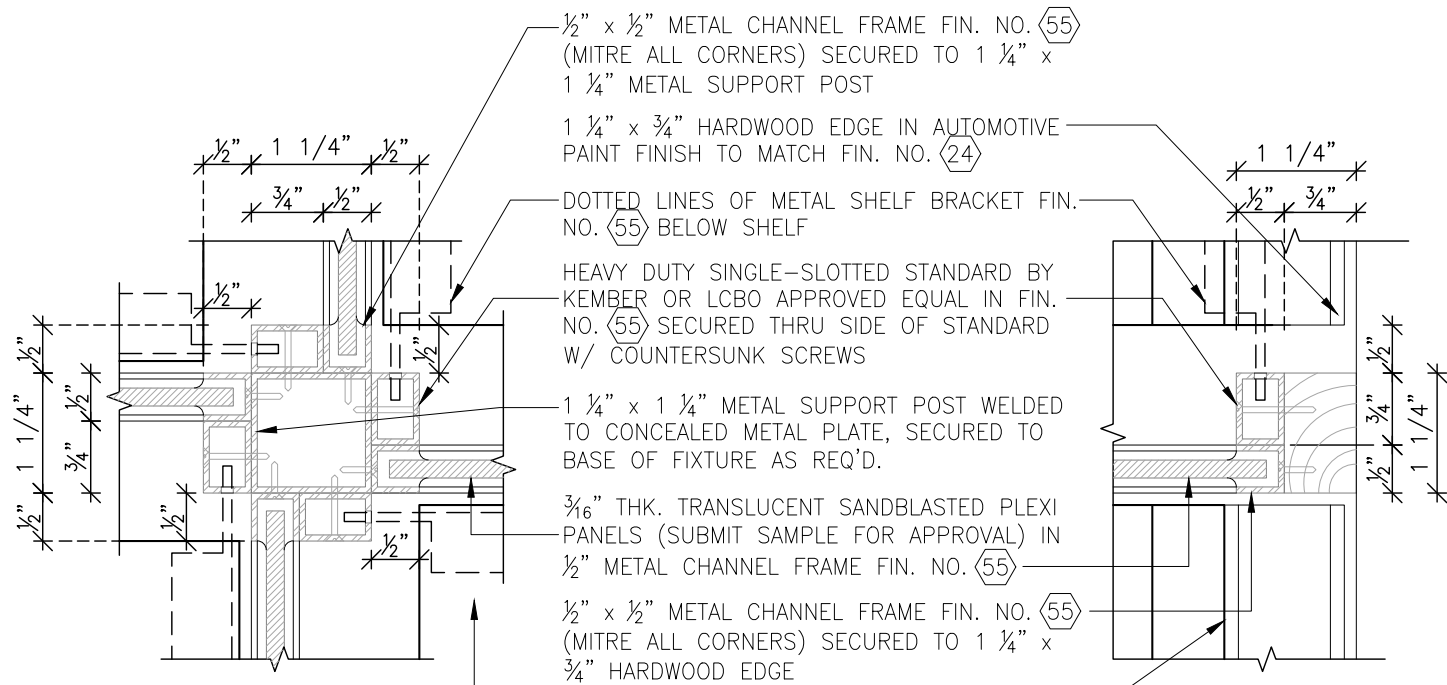
4 SECTION-DETAIL
F237 6" = 1'-0"

LCBO	200 GENERAL LIST	REVISION DATE	REV.	2 of 4	ISSUE DATE	STORE TYPE	STORE #
	'IMPULSE' FIXTURE	2021 MAR	17	F237	2021 APR		



5 SECTION-DETAIL
F237 1" = 1"

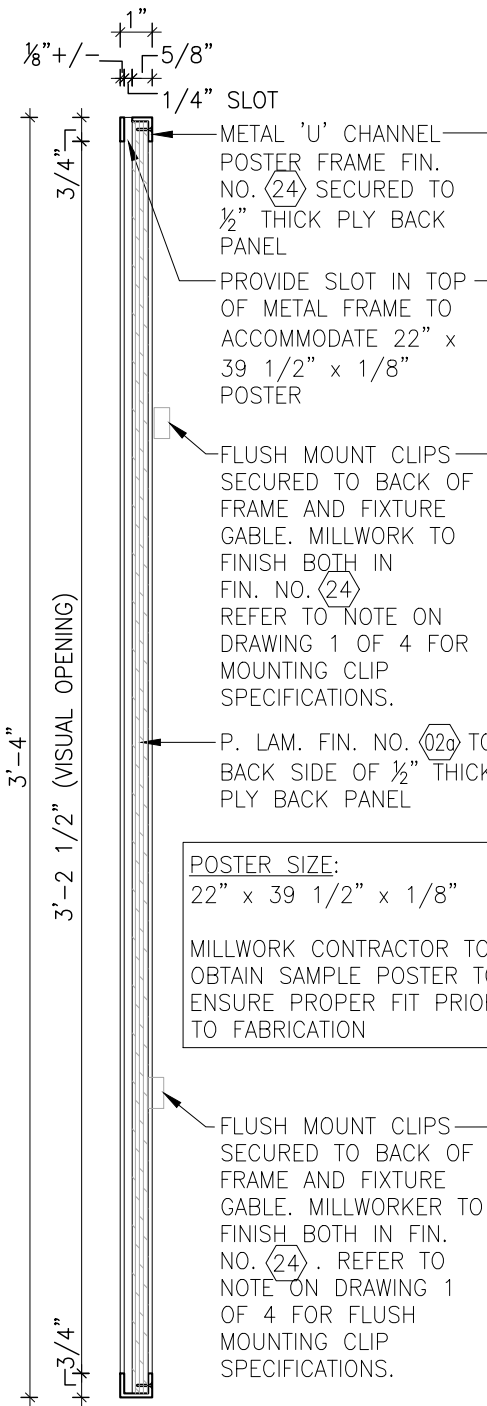
FIXTURE CONTRACTOR TO ENSURE STRUCTURAL STABILITY OF FIXTURE. WELD SLOTTED STANDARDS TO 1/2" METAL CHANNEL FRAMES AND TO 1 1/4" x 1 1/4" METAL SUPPORT TUBE. ALL WELDS TO BE GROUND SMOOTH + DEBURRED WITH ALL SHARP EDGES REMOVED.



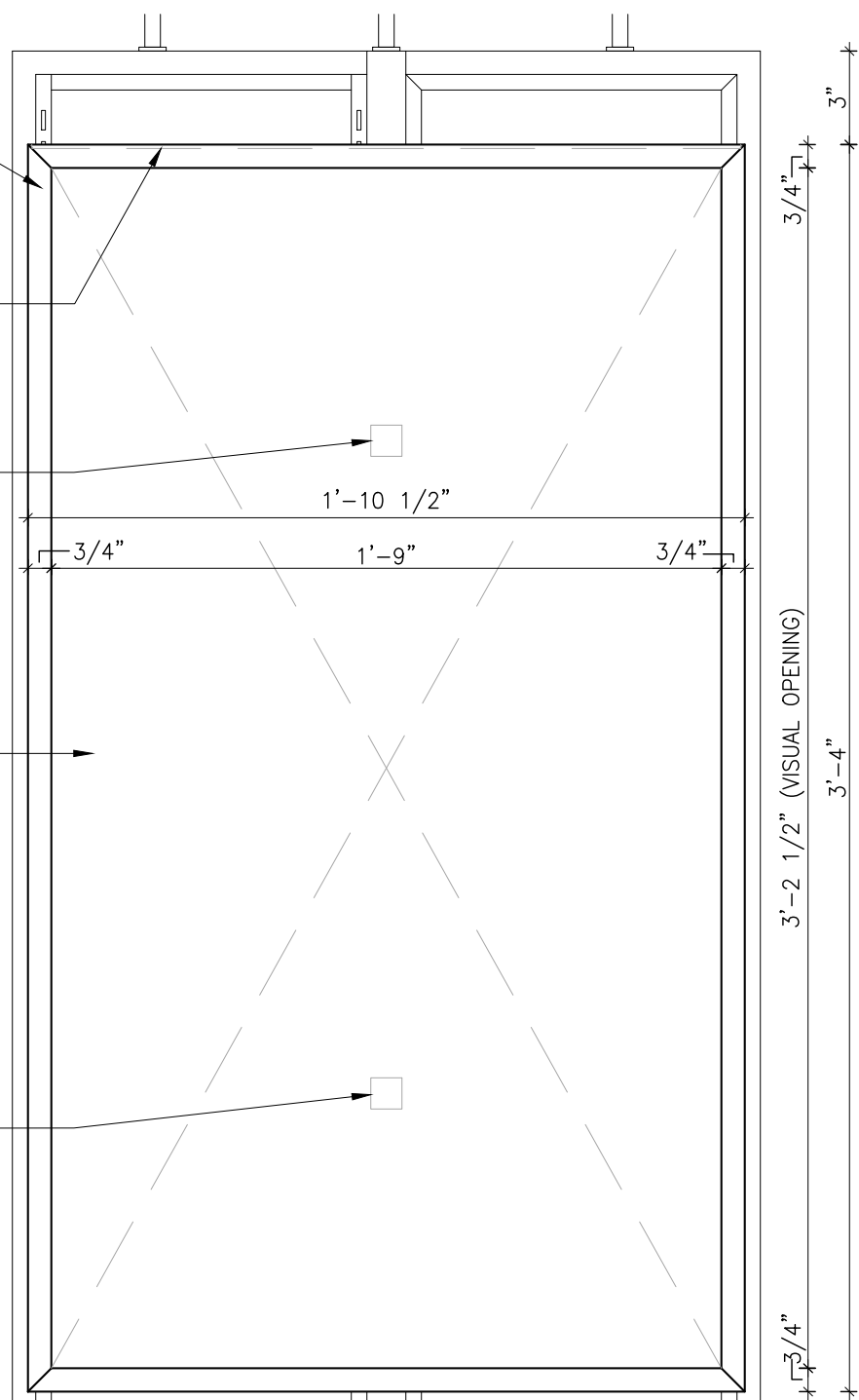
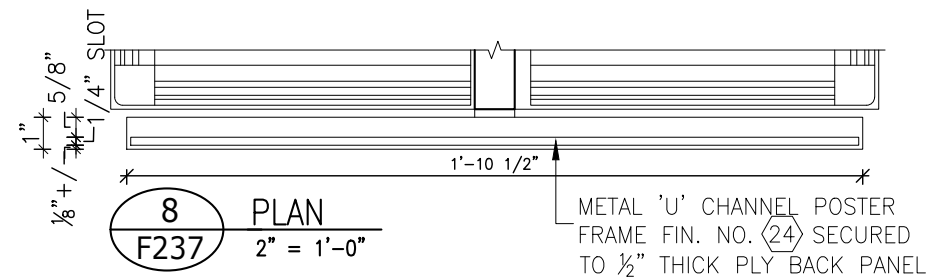
6 PLAN-DETAIL
F237 6" = 1'-0"

PARTICLE BOARD SHELVES P. LAM. FIN. NO. (02) WITH HARDWOOD ANGLED TICKET MOULDING IN AUTOMOTIVE PAINT FINISH TO MATCH FIN. NO. (24) WITH 1 1/4" x 1 1/4" HARDWOOD CORNER ALSO IN FIN. NO. (24) WITH EASED EDGE. SHELVES ON SLIDING SHELF HARDWARE, SEE DETAILS 11-13

7 PLAN-DETAIL
F237 6" = 1'-0"



9 SECTION
F237 2" = 1'-0"

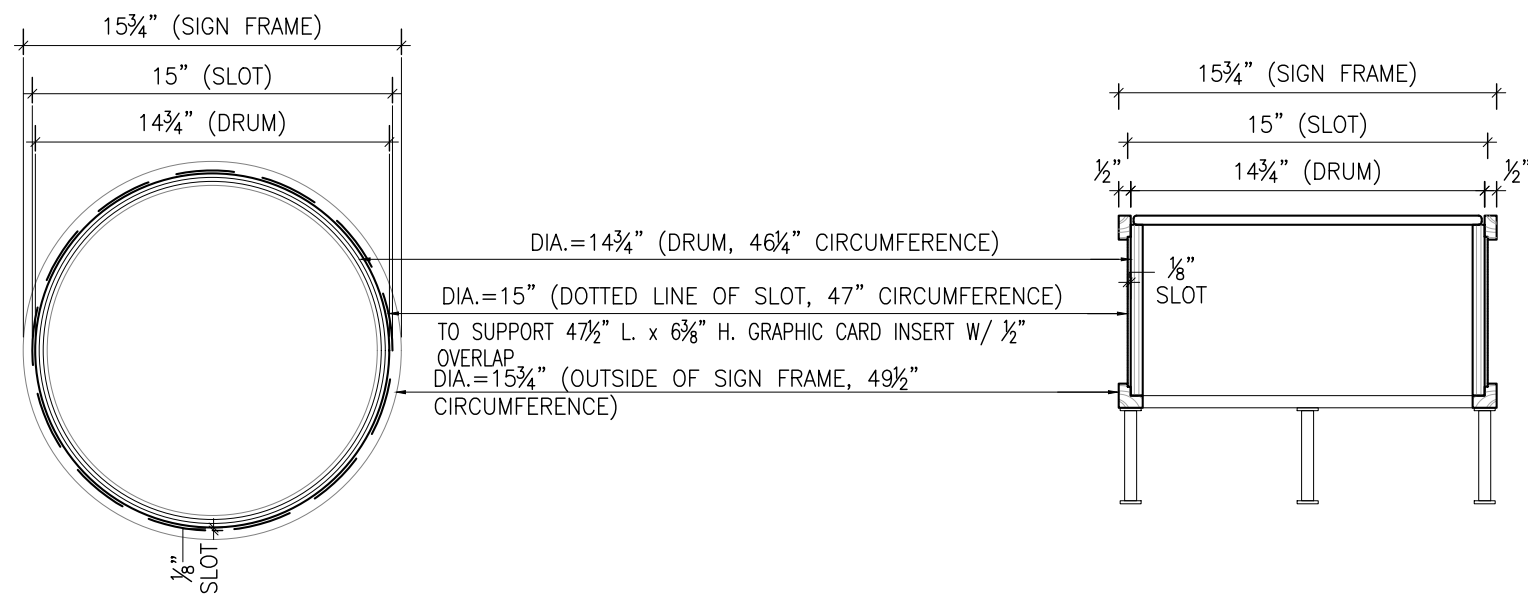


10 ELEVATION
F237 2" = 1'-0"

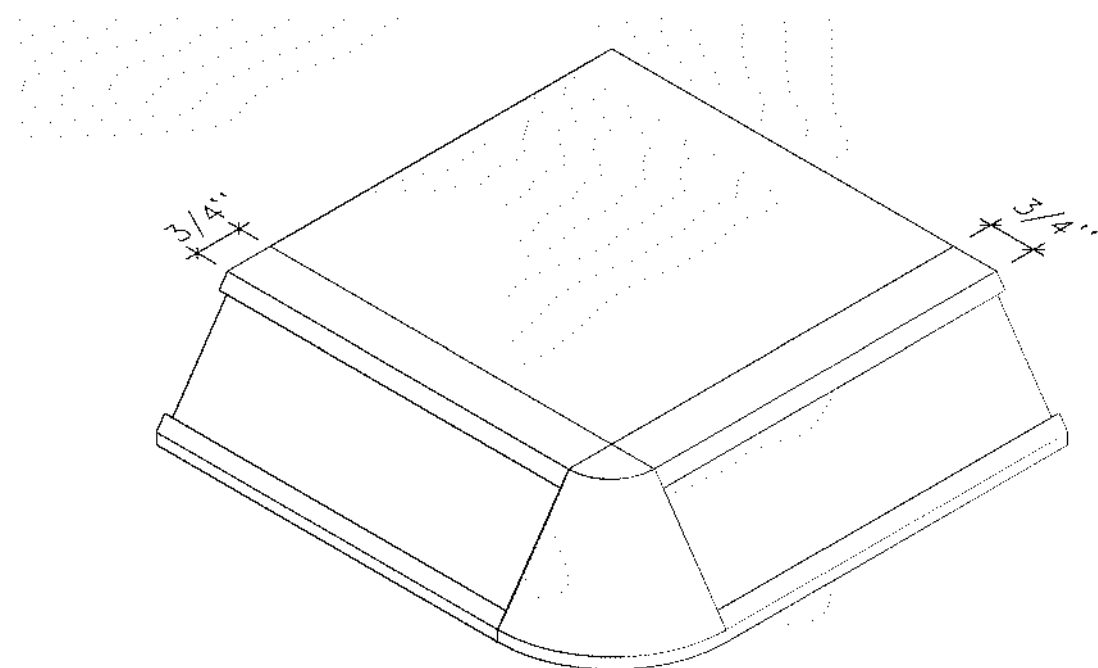
POSTER SIZE:
22" x 39 1/2" x 1/8"

MILLWORK CONTRACTOR TO OBTAIN SAMPLE POSTER TO ENSURE PROPER FIT PRIOR TO FABRICATION

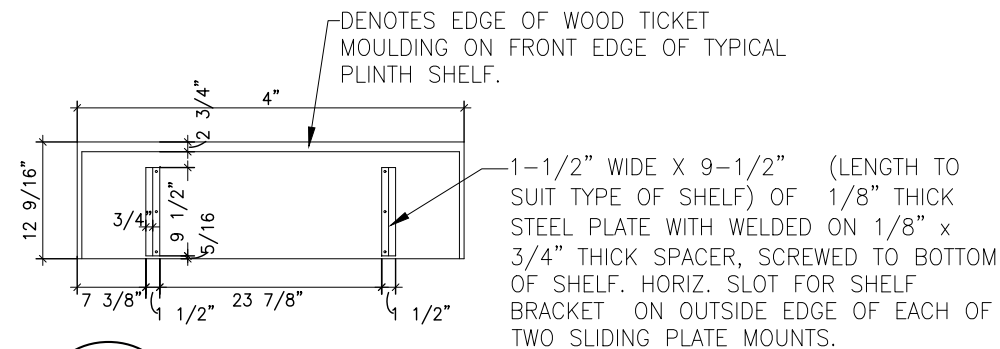
LCBO	200 GENERAL LIST	REVISION DATE	REV.	3 of 4	ISSUE DATE	STORE TYPE	STORE #
	'IMPULSE' FIXTURE	2021 MAR	17	F237	2021 APR		



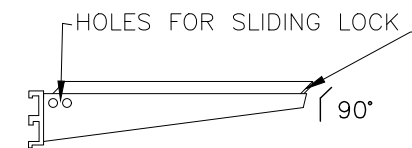
11 DETAIL
F237 1 1/2" = 1'-0"



15 ISOMETRIC VIEW - CURVED WOOD BLOCK DETAIL
F234 AT SHELF TICKET MOULDING



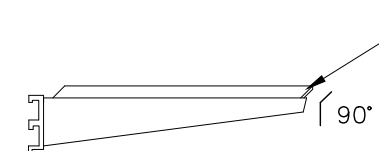
12 PLAN OF SHELF BOTTOM
F237 N.T.S.



STANDARD 1/8" THICK STEEL PLATE SHELF BRACKET WITH CUSTOM MODIFIED 'FLAT-TOP' ROLLED OVER OR WELDED METAL FLANGE TO SLIDE INTO THE BRACKETS SECURED TO THE UNDERSIDE OF SHELVES. THIS LOCKS INTO EACH OF TWO SLIDING PLATE MOUNTS PER SHELF. BRACKET AND HARDWARE TO BE FINISH NO. (55)

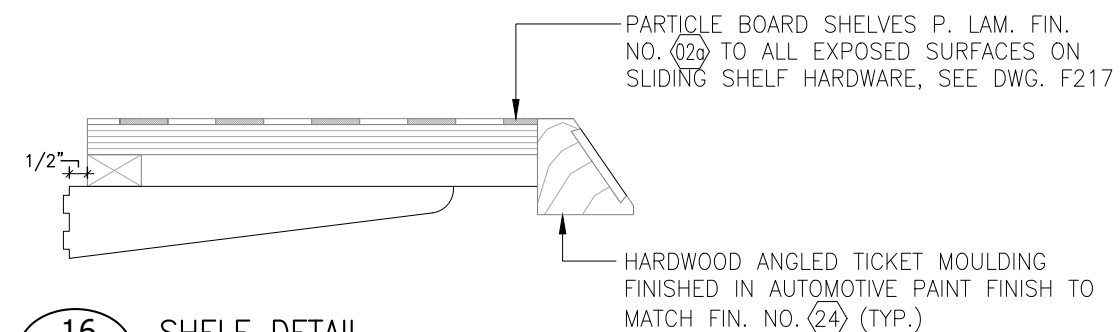
INSTRUCTIONS FOR ALL SHELVES WITH SLIDING HARDWARE
 CONTRACTOR TO PROVIDE LOCKING METAL BOLT RICHELIEU NO.B-375-180 NICKEL FINISH HARDWARE MUST BE AS CONCEALED AS POSSIBLE.

13 FLAT-TOP STEEL BRACKET W/LOCK
F237 N.T.S.



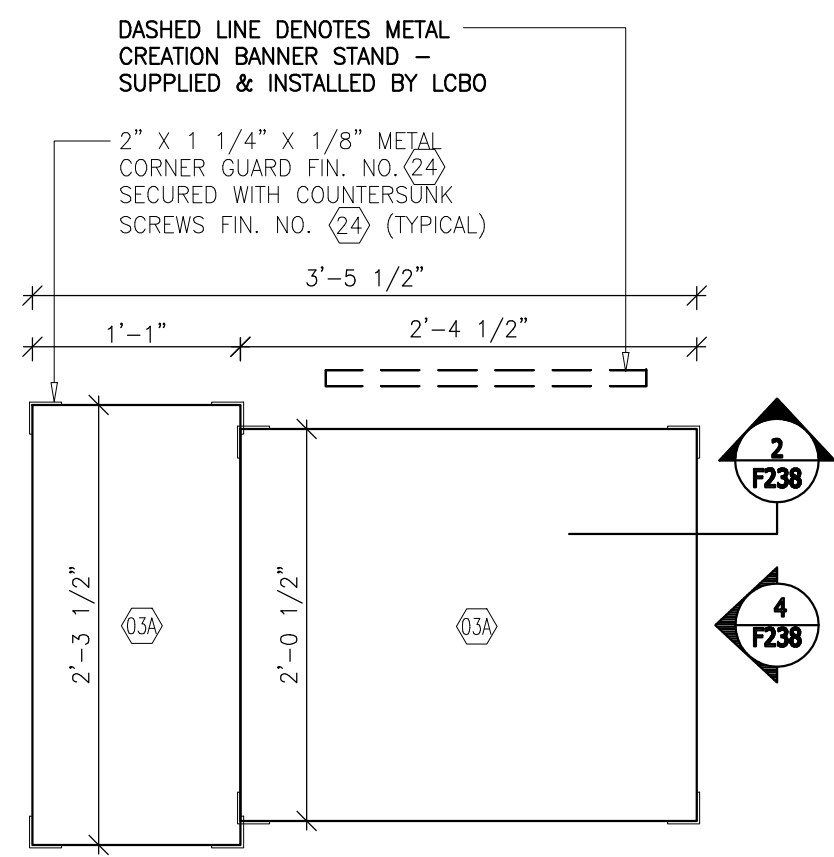
STANDARD 1/8" THICK STEEL PLATE SHELF BRACKET WITH CUSTOM MODIFIED 'FLAT-TOP' ROLLED OVER OR WELDED METAL FLANGE TO SLIDE INTO THE BRACKET SECURED TO THE UNDERSIDE OF SHELVES. THIS LOCKS INTO EACH OF TWO SLIDING PLATE MOUNTS PER SHELF. BRACKET AND HARDWARE TO BE FIN. NO. (55)

14 FLAT-TOP STEEL BRACKET
F237 N.T.S.

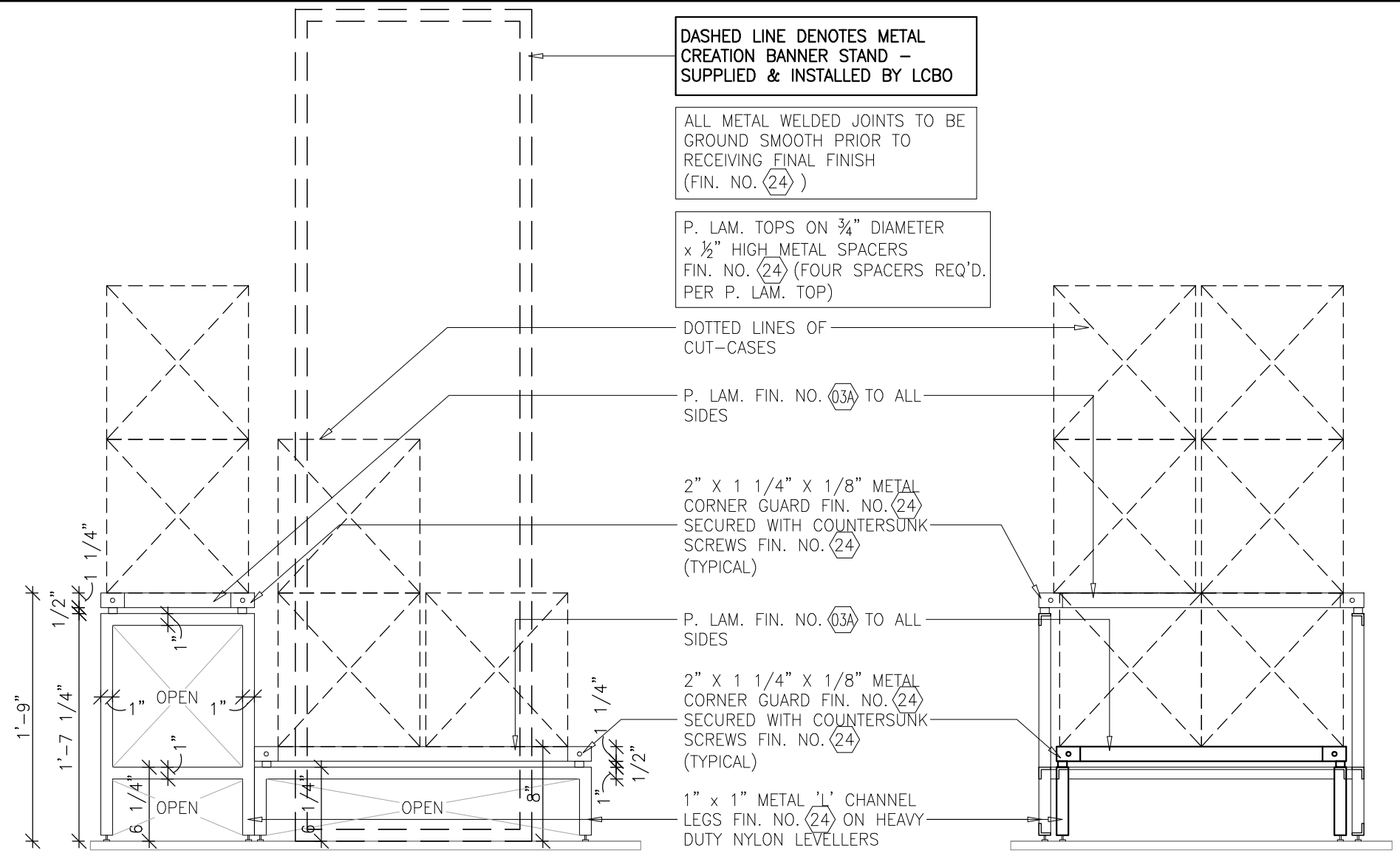


16 SHELF DETAIL
F237 N.T.S.

LCBO	200 GENERAL LIST	REVISION DATE	REV.	4 of 4	ISSUE DATE	STORE TYPE	STORE #
	'IMPULSE' FIXTURE	2021 MAR	17	F237	2021 APR		

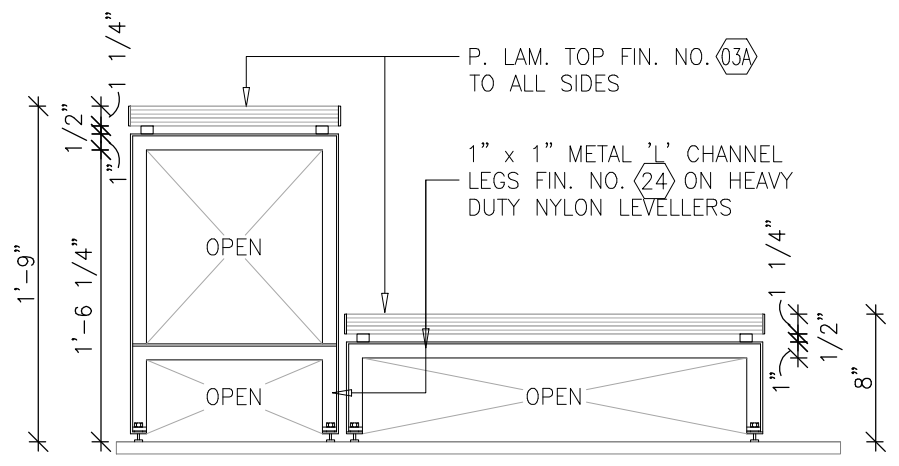


1 PLAN
F238
1" = 1'-0"



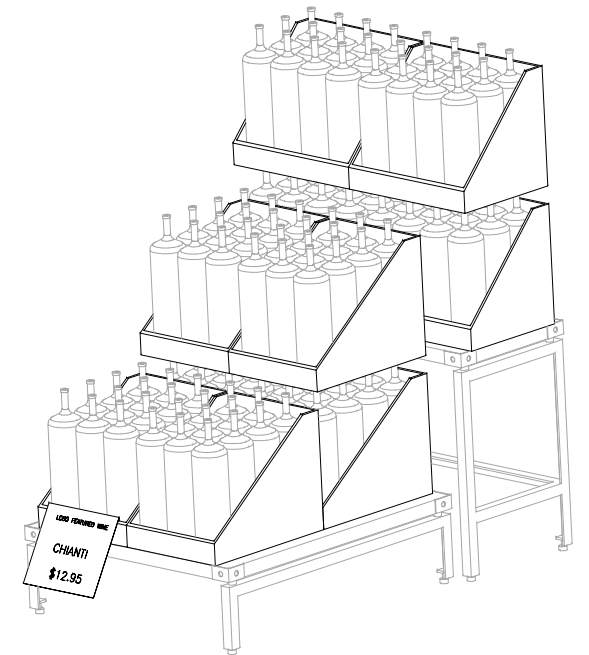
3 ELEVATION
F238
1" = 1'-0"

4 ELEVATION
F238
1" = 1'-0"

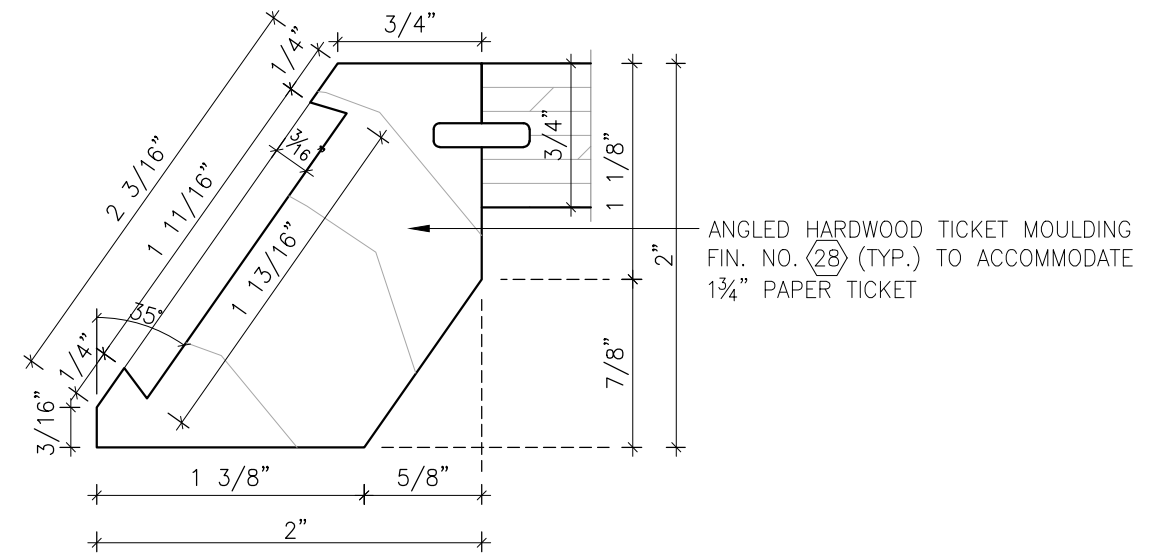
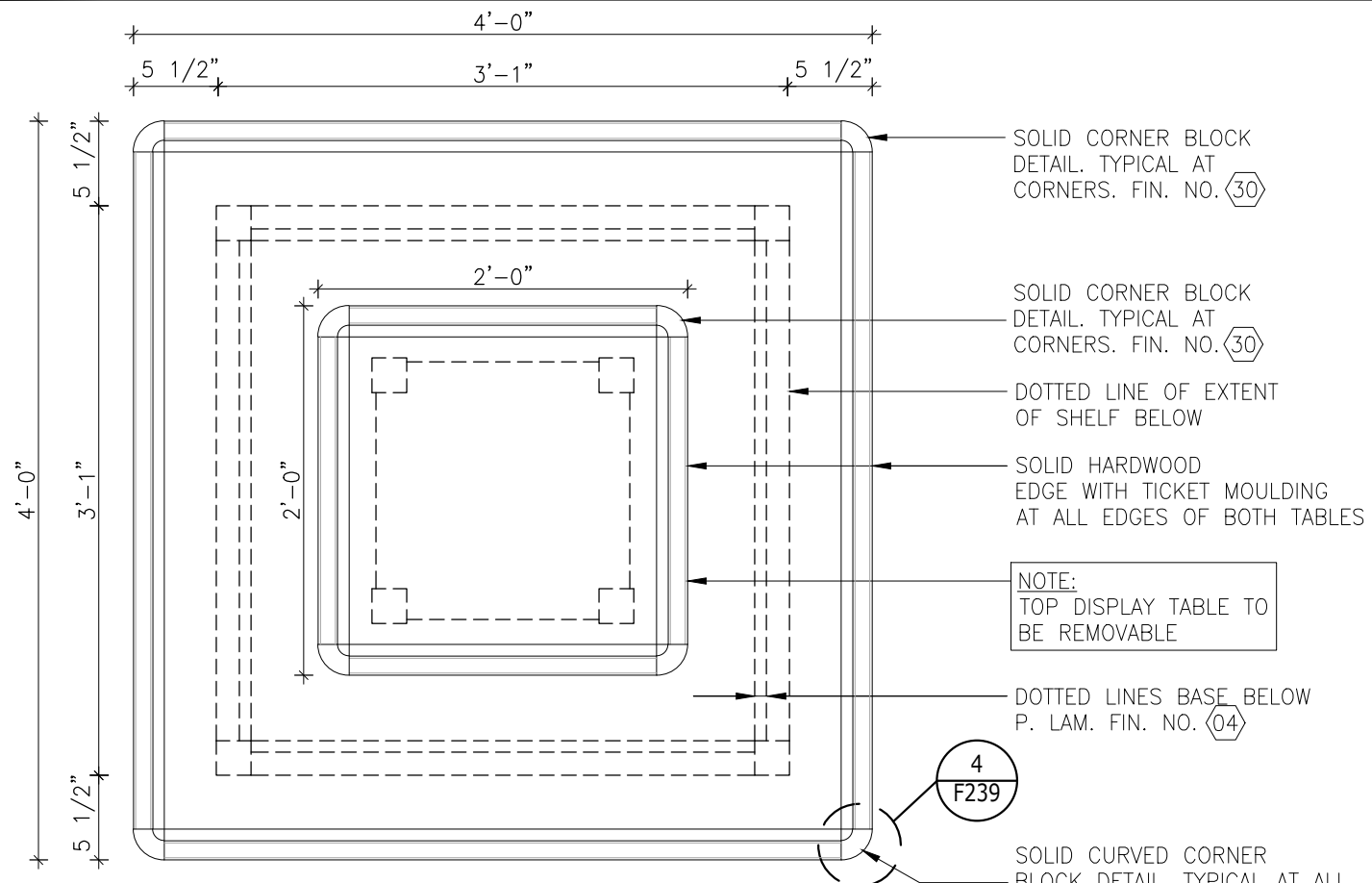


2 SECTION
F238
1" = 1'-0"

5
F238 N.T.S.



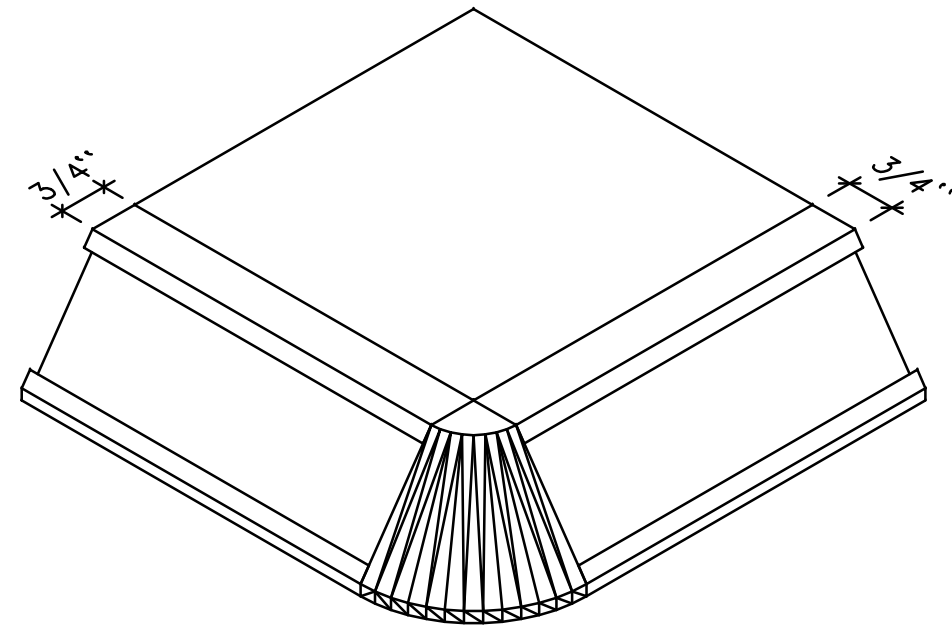
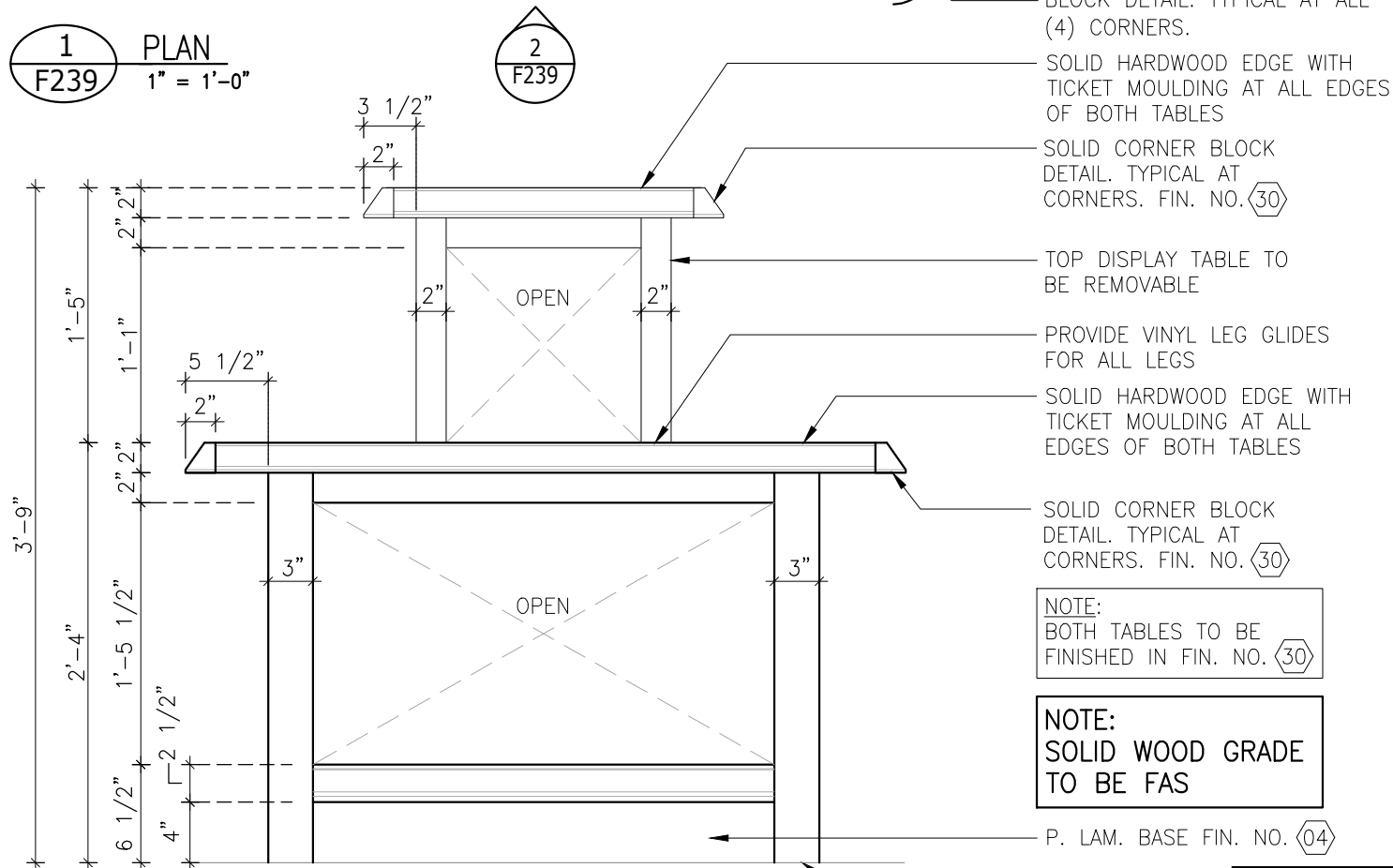
LCBO	200 GENERAL LIST	REVISION DATE	REV.	1 of 1	ISSUE DATE	STORE TYPE	STORE #
	'DEAL OF THE WEEK' FIXTURE	2021 MAR	17	F238	2021 APR		



3
F239 1" = 1"

MILLWORK CONTRACTOR TO
PROVIDE STORE MANAGER W/
TOUCH-UP STICKS MILLWORK
CONTRACTOR TO EASE ALL
CORNERS

1
F239 1" = 1'-0"

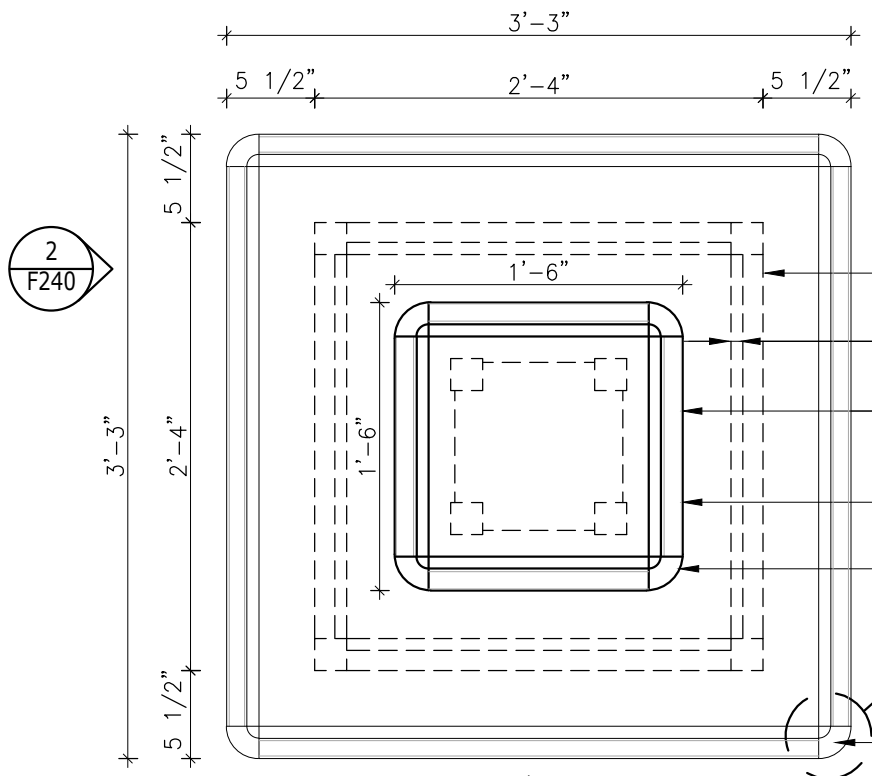


4
F239 ISOMETRIC VIEW - CURVED WOOD BLOCK DETAIL
AT CORNERS

LCBO

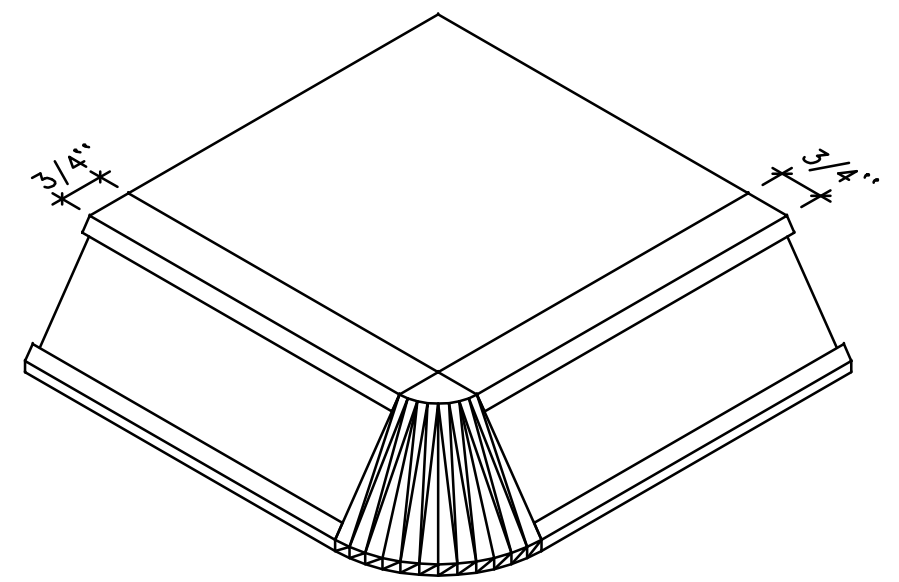
200 GENERAL LIST
4'-0" SQUARE PROMO TABLE

REVISION DATE	REV.	1 of 1	ISSUE DATE	STORE TYPE	STORE #
2021 MAR	17	F239	2021 APR		



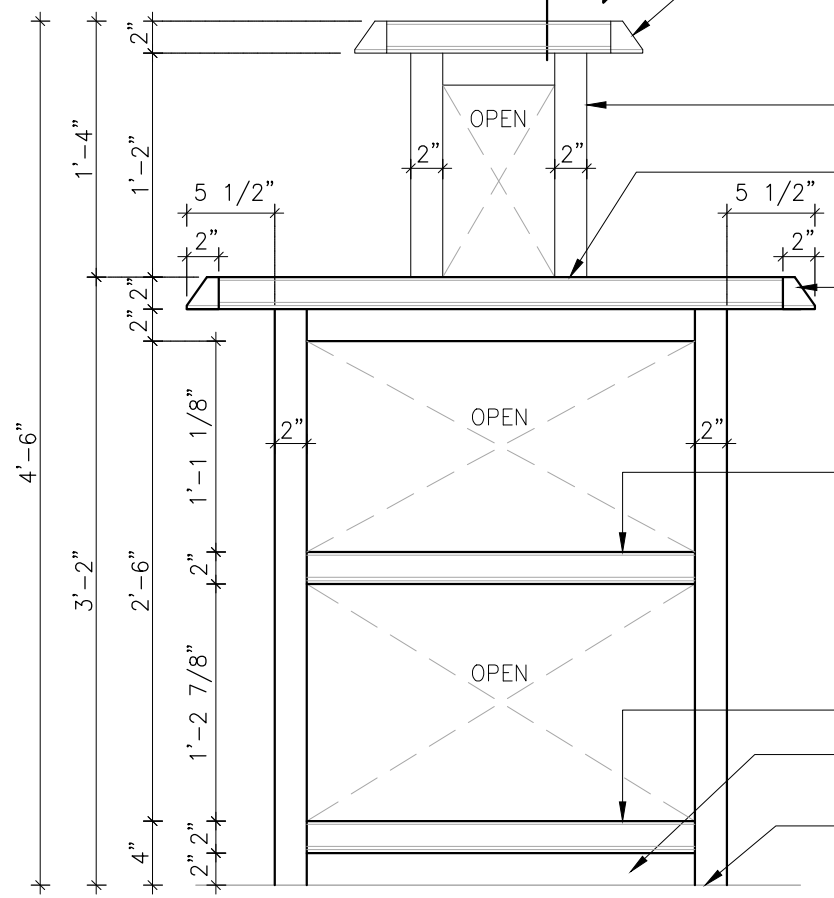
NOTE:
MILLWORK CONTRACTOR TO EASE ALL CORNERS.
ALL EXPOSED SURFACES OF BOTH TABLES TO BE FINISHED IN FIN. NO. (30)
MILLWORK CONTRACTOR TO PROVIDE STORE MANAGER W/ TOUCH-UP STICKS

- DOTTED LINE OF EXTENT OF SHELF BELOW
- DOTTED LINES OF BASE BELOW P. LAM. FIN. NO. (04)
- SOLID HARDWOOD EDGE WITH TICKET MOULDING AT ALL EDGES OF BOTH TABLES
- TOP DISPLAY TABLE TO BE REMOVABLE
- SOLID CORNER BLOCK DETAIL TYPICAL AT CORNERS FIN. NO. (30)
- SOLID CORNER BLOCK DETAIL TYPICAL AT CORNERS FIN. NO. (30)

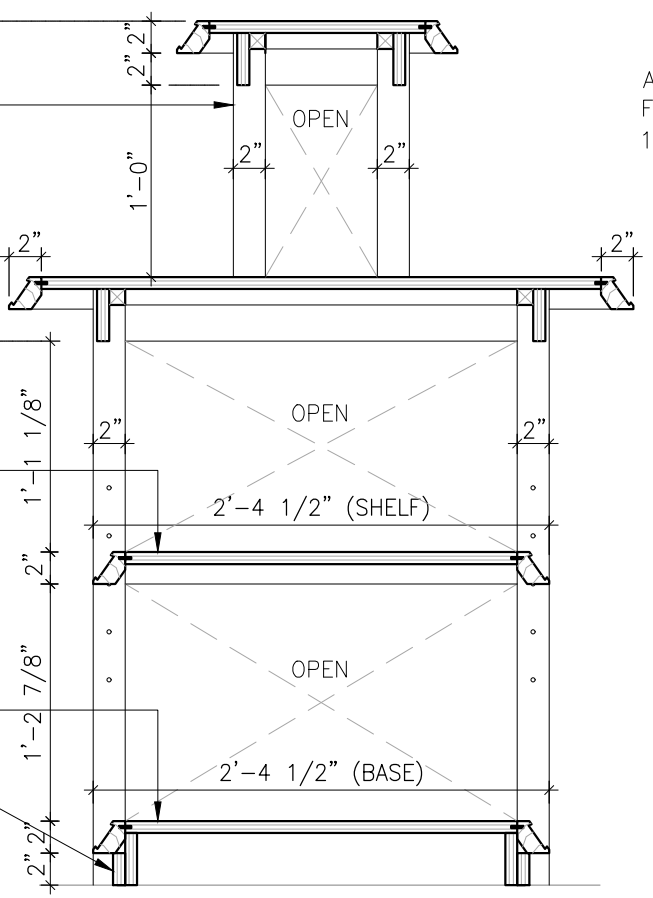


5 ISOMETRIC VIEW - CURVED WOOD BLOCK DETAIL AT CORNERS

1 PLAN
F240 1" = 1'-0"

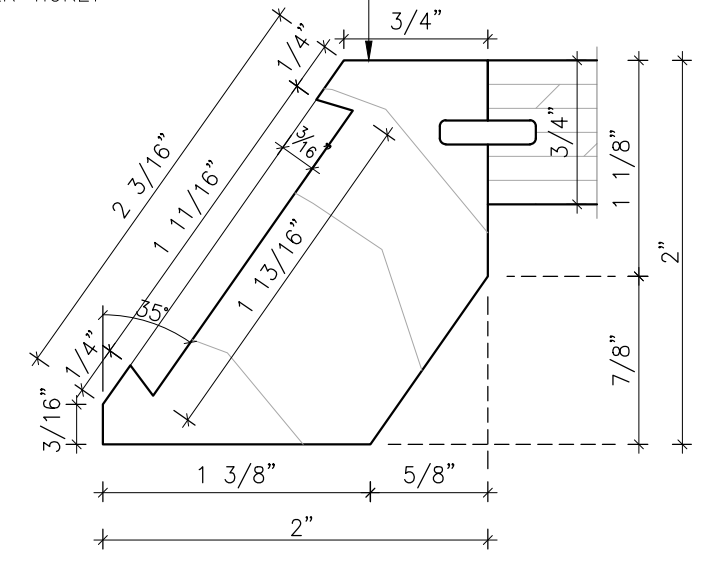


- SOLID CORNER BLOCK DETAIL TYPICAL AT CORNERS FIN. NO. (30)
- TOP DISPLAY TABLE TO BE REMOVABLE
- PROVIDE VINYL LEG GLIDES FOR ALL LEGS
- SOLID CORNER BLOCK DETAIL TYPICAL AT CORNERS FIN. NO. (30)
- ADJ. SHELF ON RECESSED METAL PINS & FERRULES FIN. NO. (55)
- NOTE: SOLID WOOD GRADE TO BE FAS
- FIXED SHELF
- P. LAM. BASE FIN. NO. (04)
- PROVIDE VINYL LEG GLIDES FOR ALL LEGS



3 SECTION
F240 1" = 1'-0"

ANGLED HARDWOOD TICKET MOULDING FIN. NO. (28) (TYP.) TO ACCOMMODATE 1 3/4" PAPER TICKET

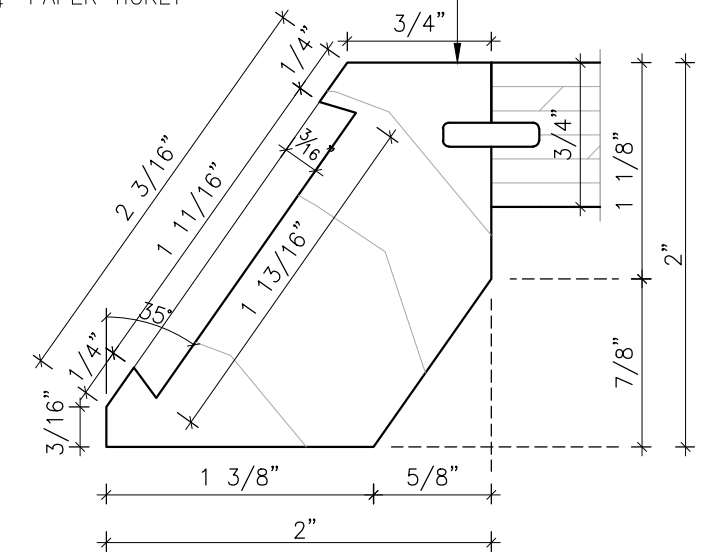


4 DETAIL
F240 1" = 1"

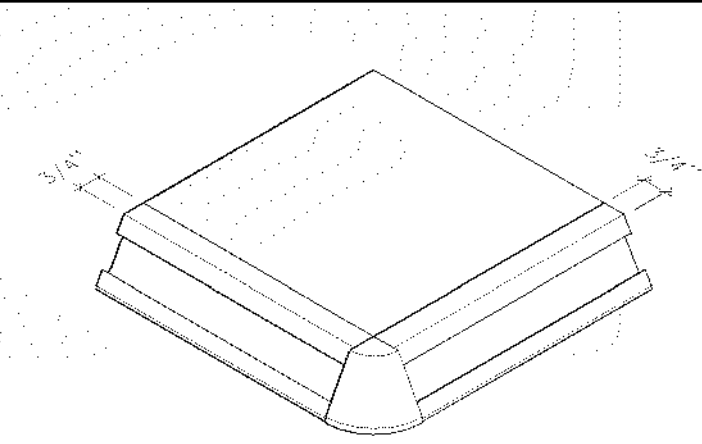
2 ELEVATION
F240 1" = 1'-0"

LCBO	200 GENERAL LIST	REVISION DATE	REV.	1 of 1	ISSUE DATE	STORE TYPE	STORE #
	3'-3" MARKETPLACE DISPLAY TABLE	2021 MAR	17	F240	2021 APR		

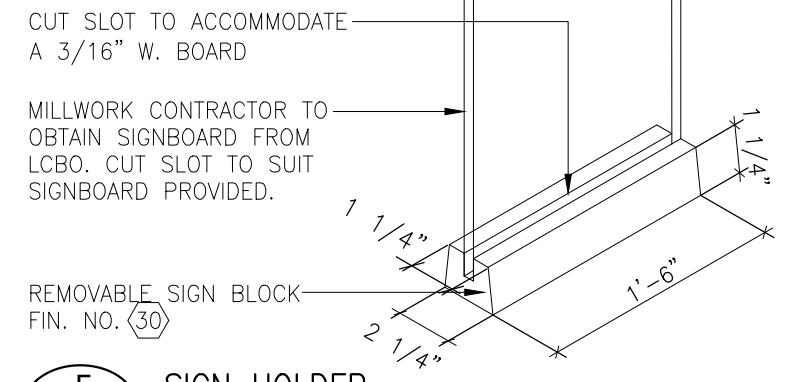
ANGLED HARDWOOD TICKET MOULDING
FIN. NO. (30) (TYP.) TO ACCOMMODATE
1 3/4" PAPER TICKET



3 DETAIL
F242 1" = 1"



4 ISOMETRIC VIEW - CURVED WOOD BLOCK DETAIL
F242 AT CORNERS

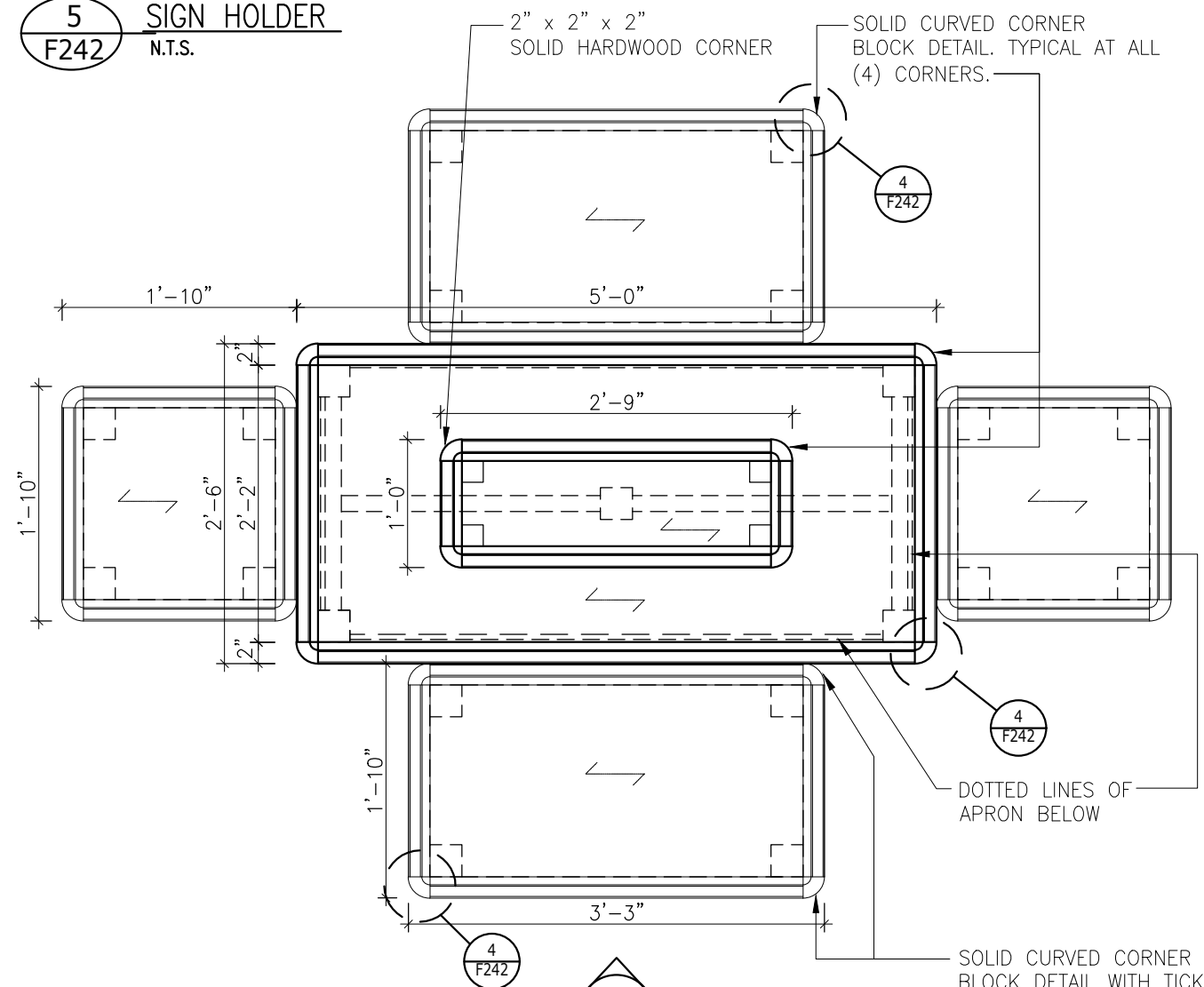


5 SIGN HOLDER
F242 N.T.S.

NOTE:
SOLID WOOD GRADE
TO BE FAS

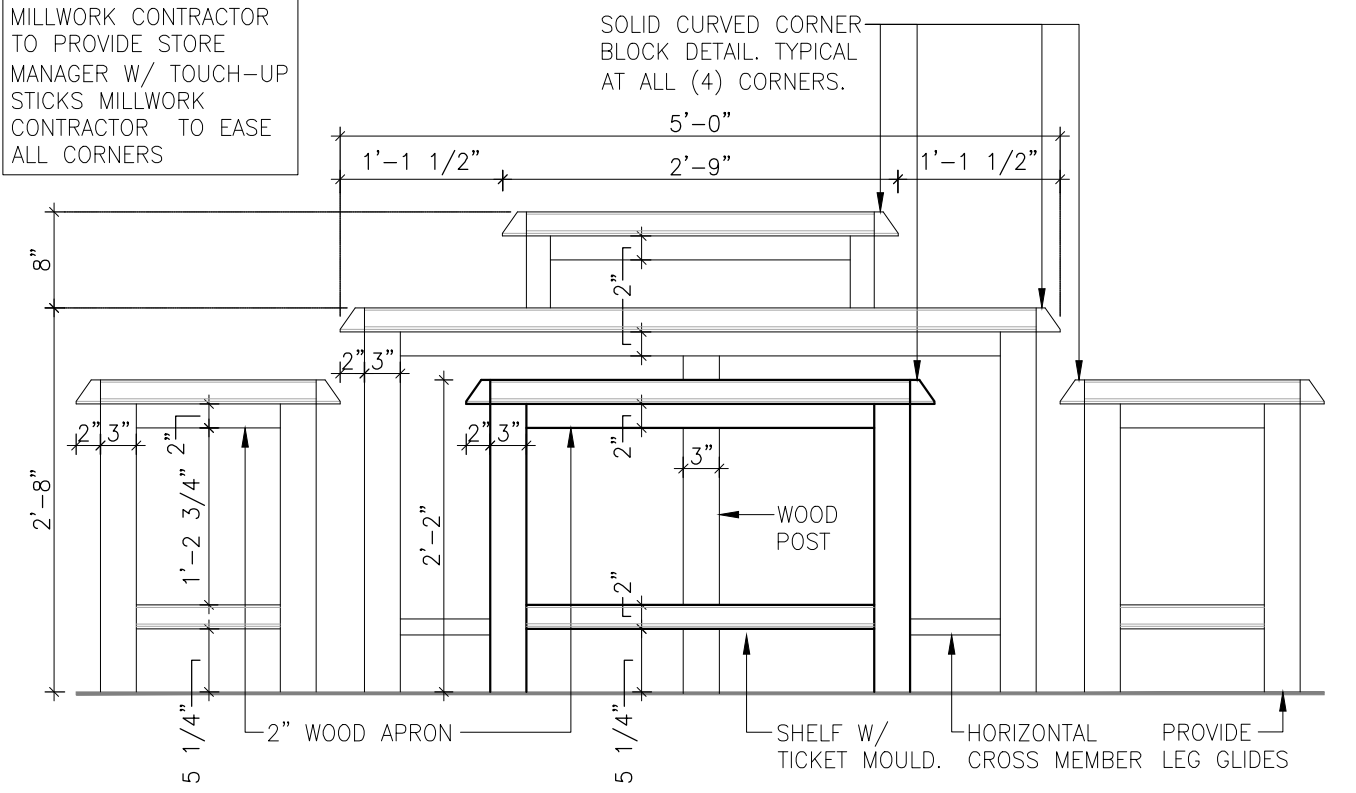
NOTE: ALL FINISHES TO
BE FIN. NO. (30) UNLESS
OTHERWISE NOTED

MILLWORK CONTRACTOR
TO PROVIDE STORE
MANAGER W/ TOUCH-UP
STICKS MILLWORK
CONTRACTOR TO EASE
ALL CORNERS



1 PLAN
F242 3/4" = 1'-0"

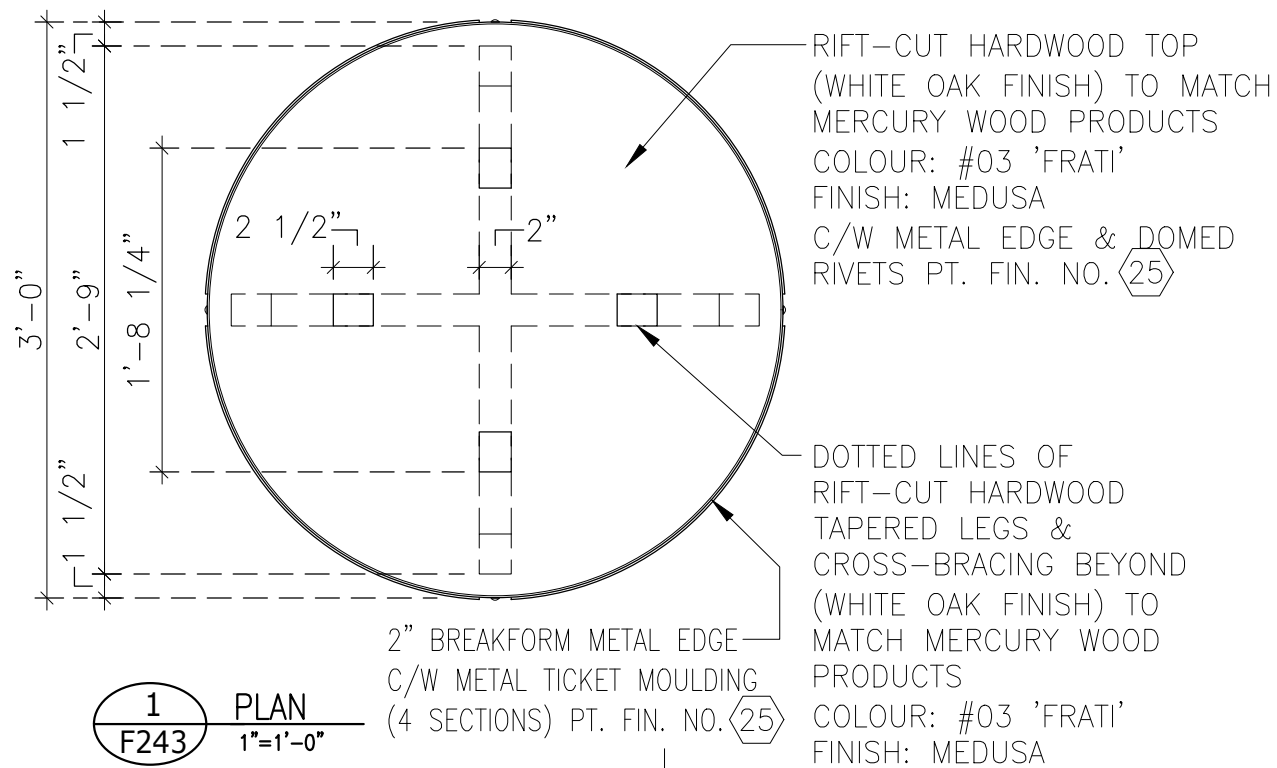
2 F242



2 ELEVATION
F242 3/4" = 1'-0"

NOTE:
MAXIMUM ALLOWABLE
DEFLECTION IS 1/720 UNDER
62 LBS./SF.

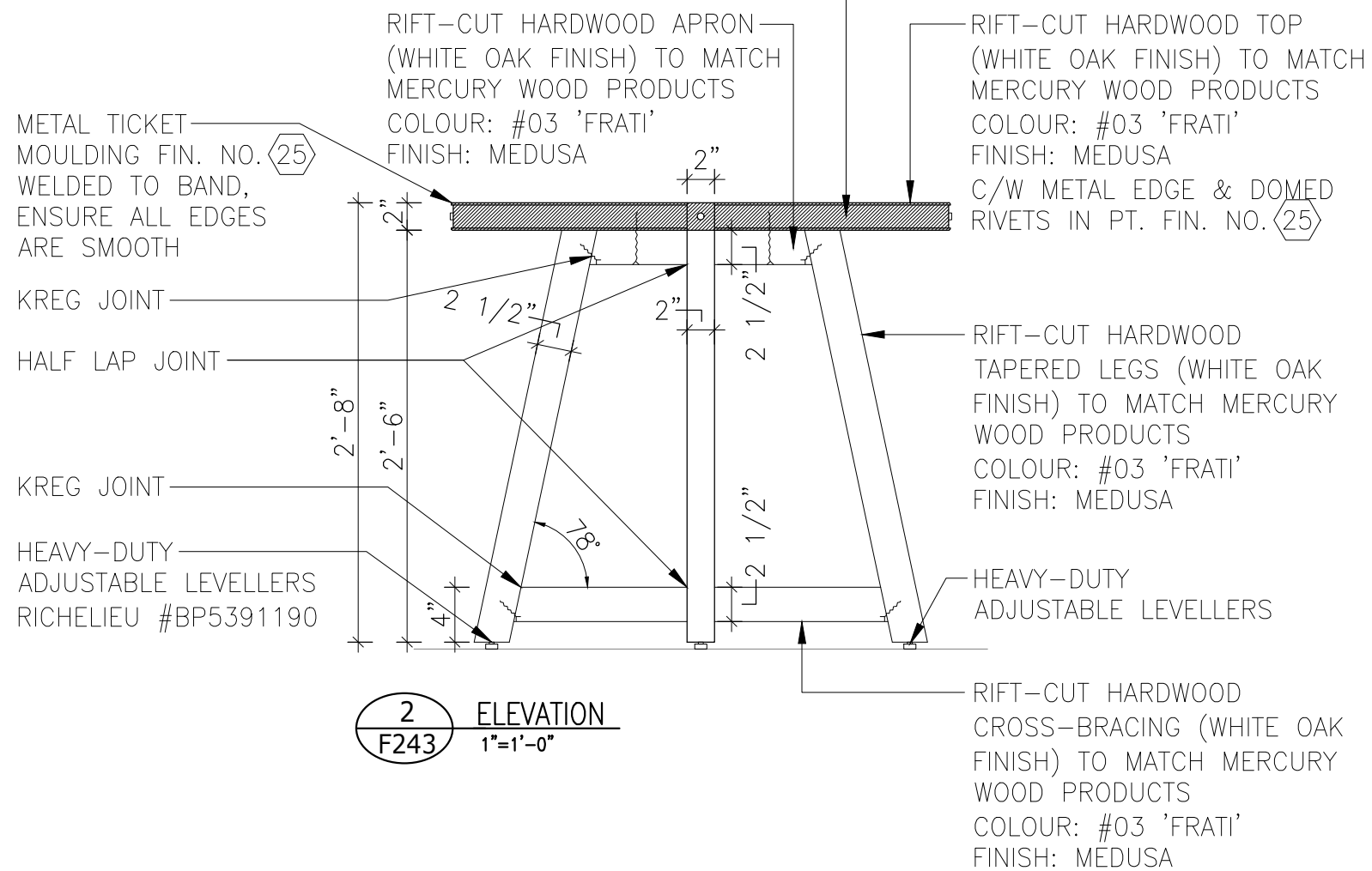
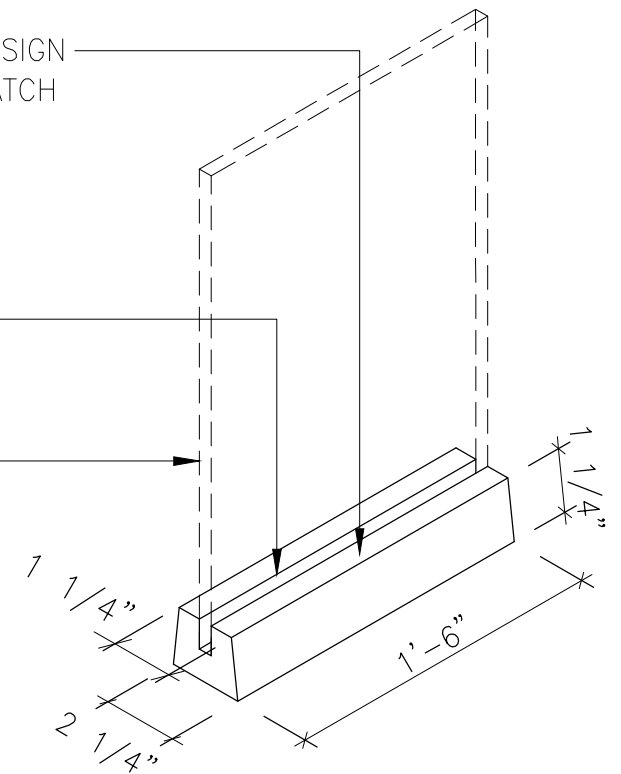
LCBO	200 GENERAL LIST	REVISION DATE	REV.	1 of 1	ISSUE DATE	STORE TYPE	STORE #
	SMALL NESTING TABLES	2021 MAR	17	F242	2021 APR		



REMOVABLE RIFT-CUT HARDWOOD SIGN BLOCK (WHITE OAK FINISH) TO MATCH MERCURY WOOD PRODUCTS
 COLOUR: #03 'FRATI'
 FINISH: MEDUSA

CUT SLOT TO ACCOMMODATE A 3/16" W. BOARD

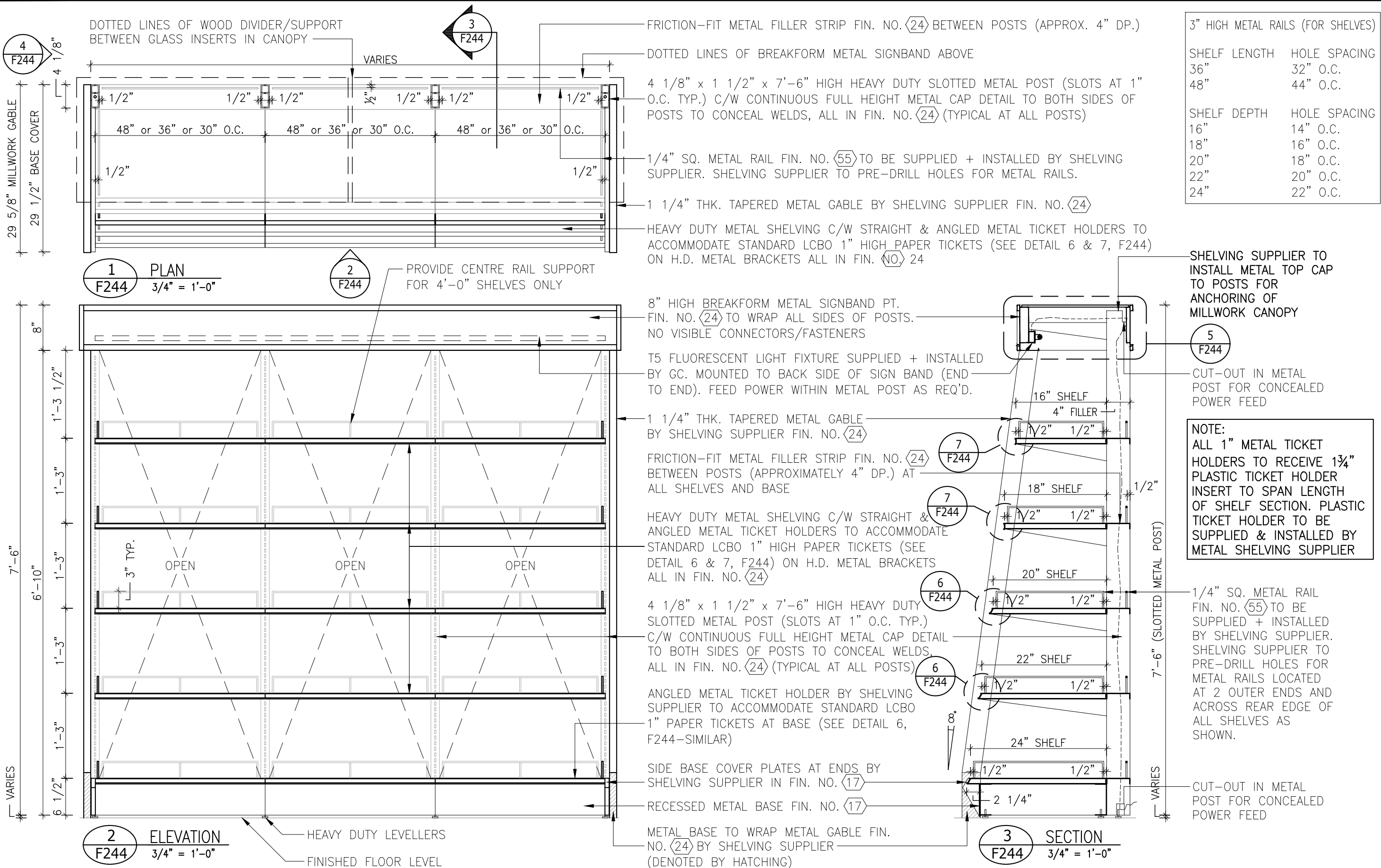
MILLWORK CONTRACTOR TO OBTAIN SIGNBOARD FROM LCBO. CUT SLOT TO SUIT SIGNBOARD PROVIDED.



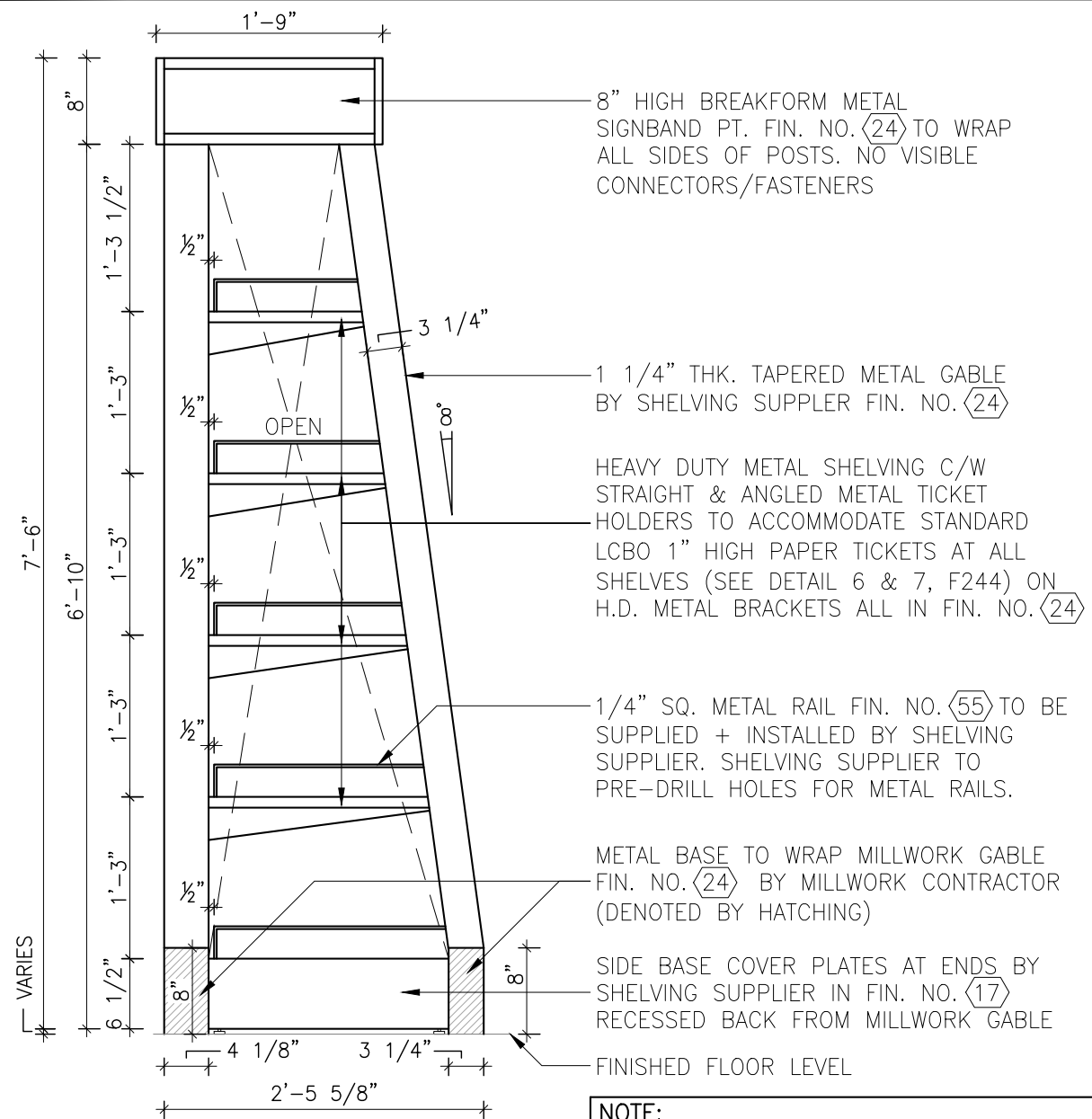
4 ISOMETRIC
 F243 N.T.S.



LCBO	200 GENERAL LIST	REVISION DATE	REV.	1 of 1	ISSUE DATE	STORE TYPE	STORE #
	3'-0" DIA. ENTRANCE TABLE	2021 MAR	17	F243	2021 APR		



LCBO	200 GENERAL LIST	REVISION DATE	REV.	1 of 2	ISSUE DATE	STORE TYPE	STORE #
	DOUBLE SIDED GIFT/SPIRITS FIXTURE WITH METAL SHELVES (ILLUMINATED)	2021 MAR.	17	F244	2021 APR		



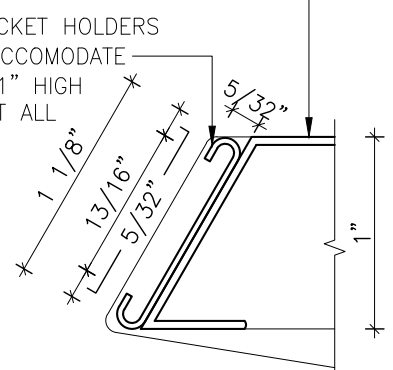
4 ELEVATION
F244 3/4" = 1'-0"

NOTE:
ALL 1" METAL TICKET HOLDERS TO RECEIVE 1 3/4" PLASTIC TICKET HOLDER INSERT TO SPAN LENGTH OF SHELF SECTION. PLASTIC TICKET HOLDER TO BE SUPPLIED & INSTALLED BY METAL SHELVING SUPPLIER

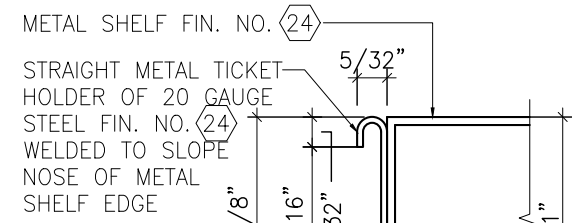
HEAVY DUTY METAL SHELVING C/W ANGLED METAL TICKET HOLDERS ON H.D. METAL BRACKETS ALL IN FIN. NO. (24)

ANGLED METAL TICKET HOLDERS (20 GAUGE) TO ACCOMMODATE STANDARD LCBO 1" HIGH PAPER TICKETS AT ALL SHELVES FIN. (24)

ALL PLASTIC TICKET HOLDER TO BE SUPPLIED & INSTALLED BY METAL SHELVING SUPPLIER



6 ANGLED METAL TICKET HOLDER DETAIL
F244 FULL SCALE



NOTE: NO VISIBLE HOLES IN FRONT OF TICKET HOLDER

7 STRAIGHT METAL TICKET HOLDER DETAIL
F244 FULL SCALE

NOTE:
ALL COMPONENTS SUPPLIED BY METAL SHELVING SUPPLIER INCLUDING TOP SIGNAGE CANOPY.

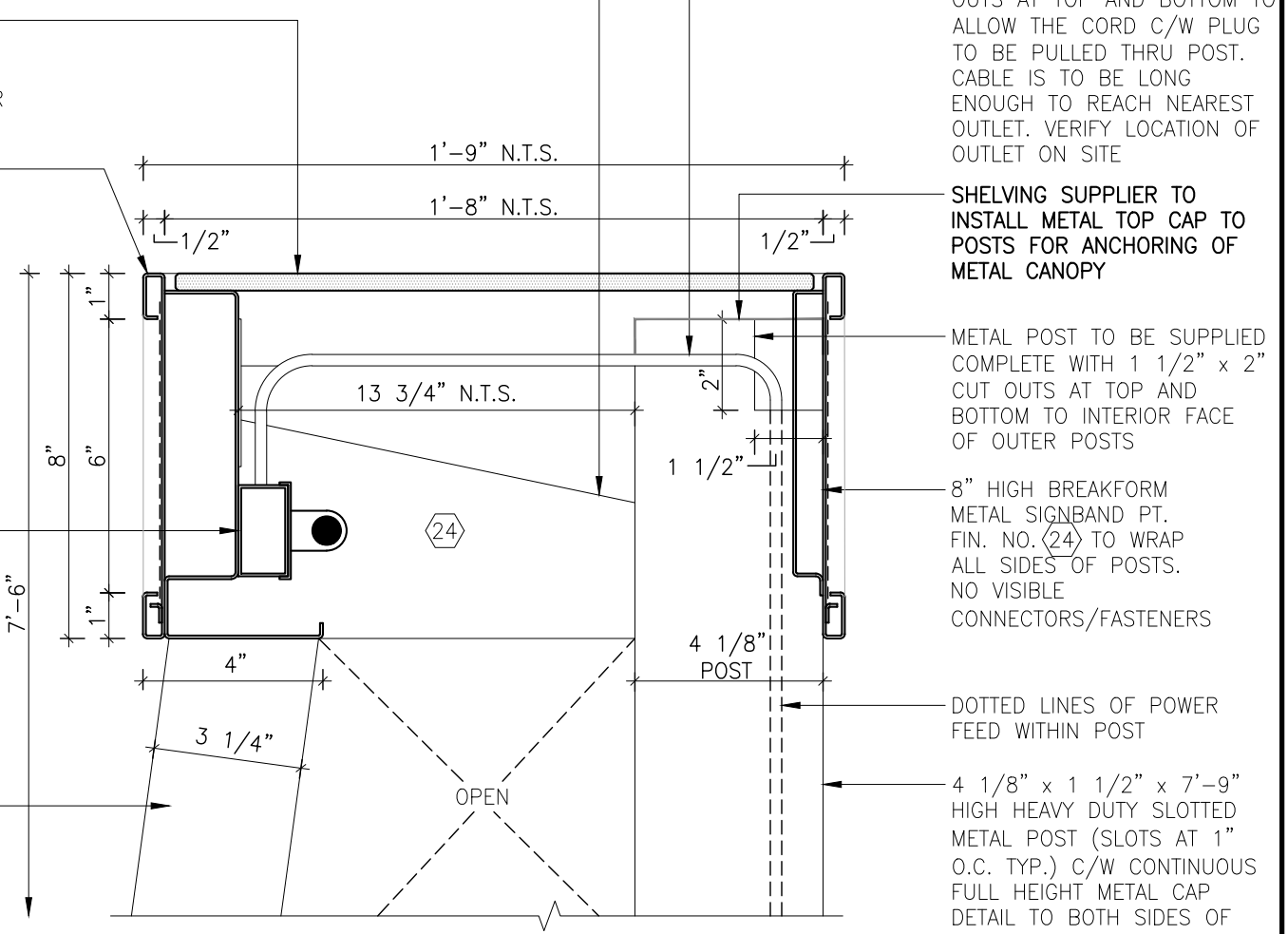
NOTE:
METAL SHELVING SUPPLIER TO ENSURE THAT FIXTURE IS CONSTRUCTED SO THAT LIGHT FIXTURES CAN BE SERVICED AND/OR REMOVED WITHOUT DISMANTLING FIXTURE

3/8" THK. FROSTED PLEXI-GLASS INSERT ON RUBBER CUSHIONS BY MILLWORK CONTRACTOR

8" HIGH BREAKFORM METAL SIGNBAND PT. FIN. NO. (24) TO WRAP ALL SIDES OF POSTS. NO VISIBLE CONNECTORS/FASTENERS

T5 FLUORESCENT LIGHT FIXTURE SUPPLIED + INSTALLED BY GC MOUNTED TO BACK SIDE OF SIGN BAND (END TO END). CONCEAL POWER FEED WITHIN METAL POST AS REQUIRED

1 1/4" x 3 1/4" TAPERED METAL POST PT. FIN. NO. (24)



5 DETAIL
F244 3" = 1'-0"

GENERAL NOTES

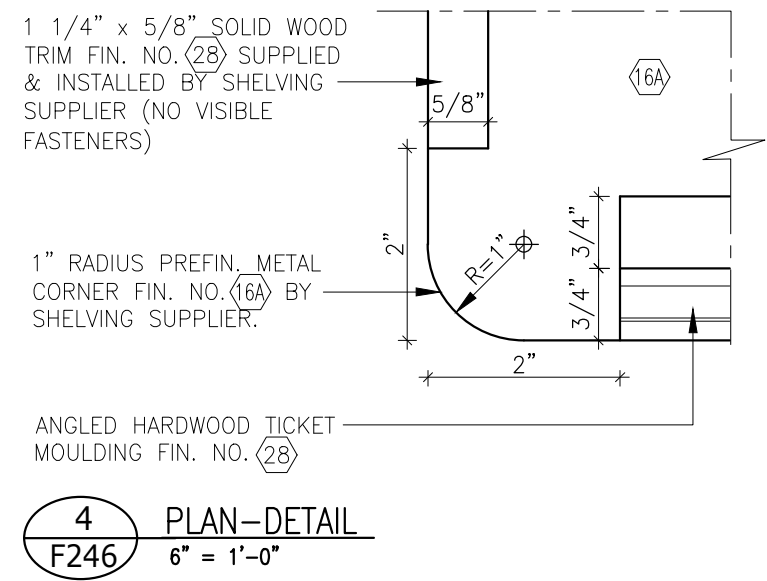
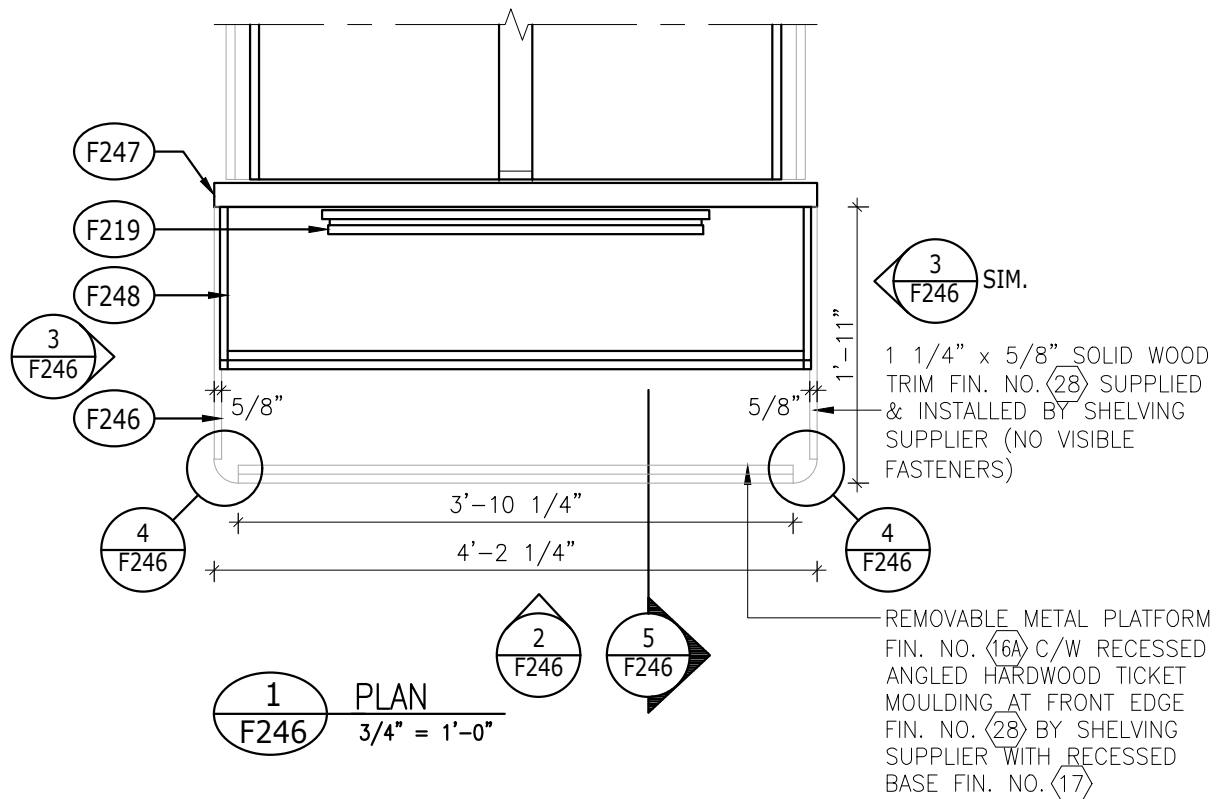
- DIMENSIONS SHOWN REFLECT SHELF & BASE DIMENSIONS ONLY & DO NOT TAKE METAL TICKET HOLDERS INTO ACCOUNT
- ALL ADJUSTMENTS TO COMPENSATE FOR NON-LEVEL FLOOR SURFACES TO BE MADE AT BOTTOM END OF POST
- GC TO CO-ORDINATE MILLWORK + METAL SHELF INSTALLATION
- MILLWORK CONTRACTOR TO OBTAIN SIGNAGE SAMPLE FROM LCBO PRIOR TO FABRICATION TO ENSURE PROPER FIT OF SIGNAGE INSERT
- SHELVING SUPPLIER TO OBTAIN 1" HIGH PAPER TICKET SAMPLE FROM LCBO PRIOR TO FABRICATION TO ENSURE PROPER FIT WITHIN TICKET MOULDING. SUBMIT SAMPLE FOR APPROVAL
- ENSURE ALL SHELVES ARE IN EXACT ALIGNMENT AND ARE TRUE & LEVEL. PERFORATED SHELVES ARE NOT ACCEPTABLE. SHELVES TO SUPPORT LOAD CAPACITY OF 500LBS
- ALL METAL SHELVING COMPONENTS TO BE SUPPLIED TO MILLWORK CONTRACTOR BY GC. MILLWORK CONTRACTOR RESPONSIBLE FOR FINAL ASSEMBLY ON-SITE.

LCBO

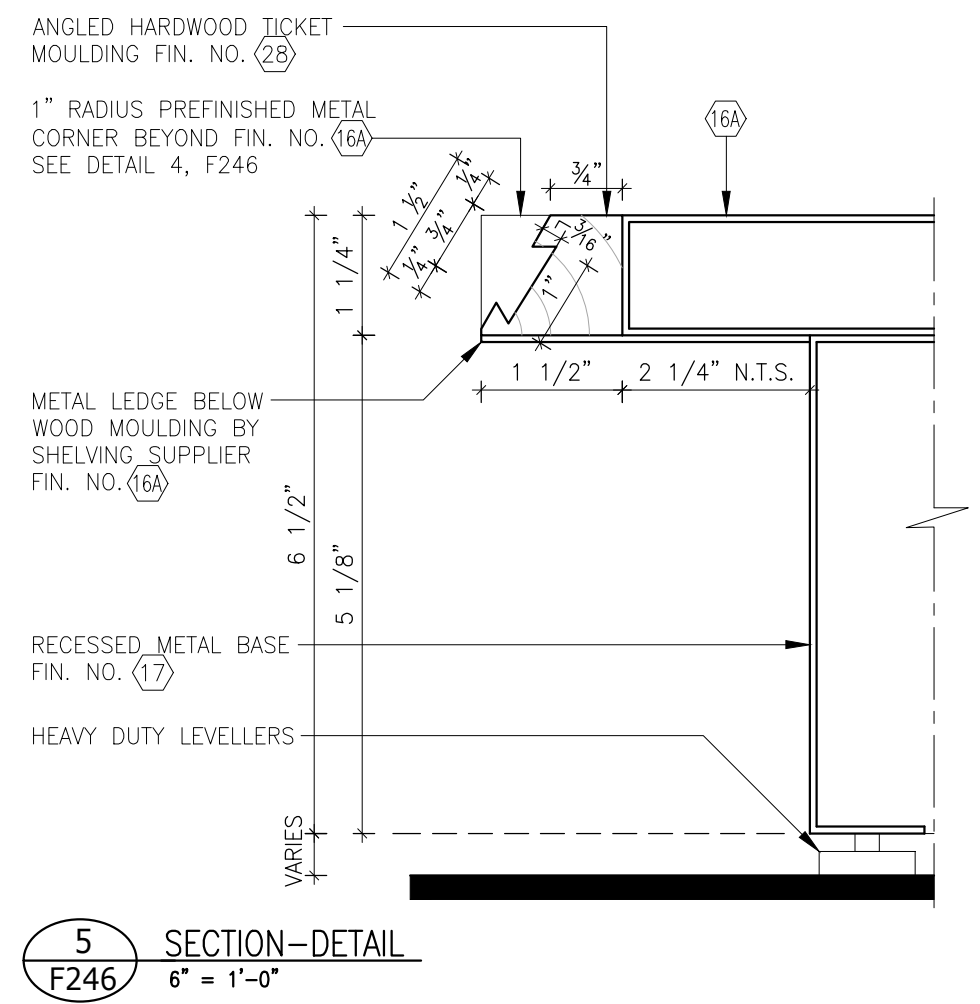
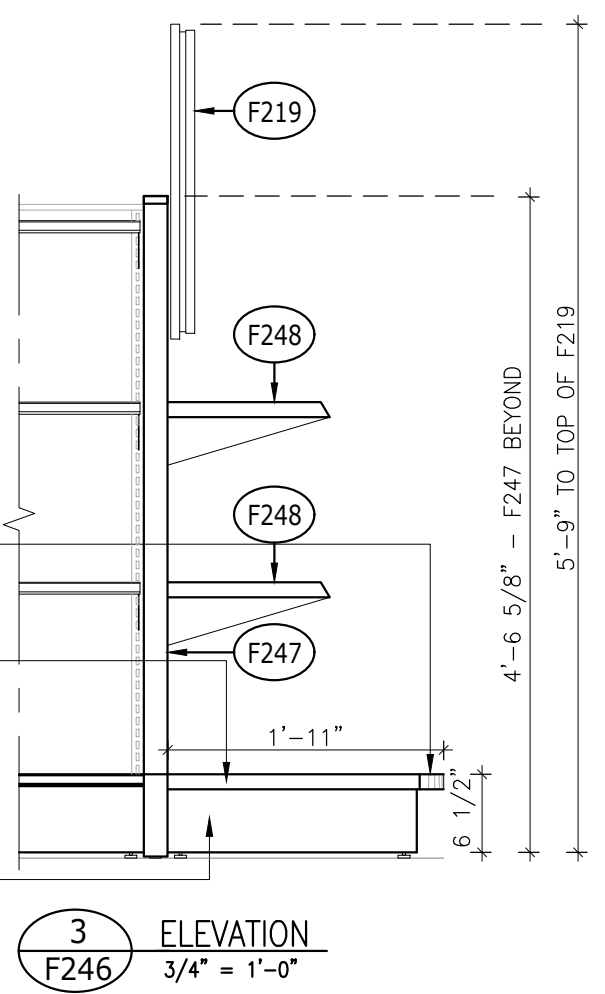
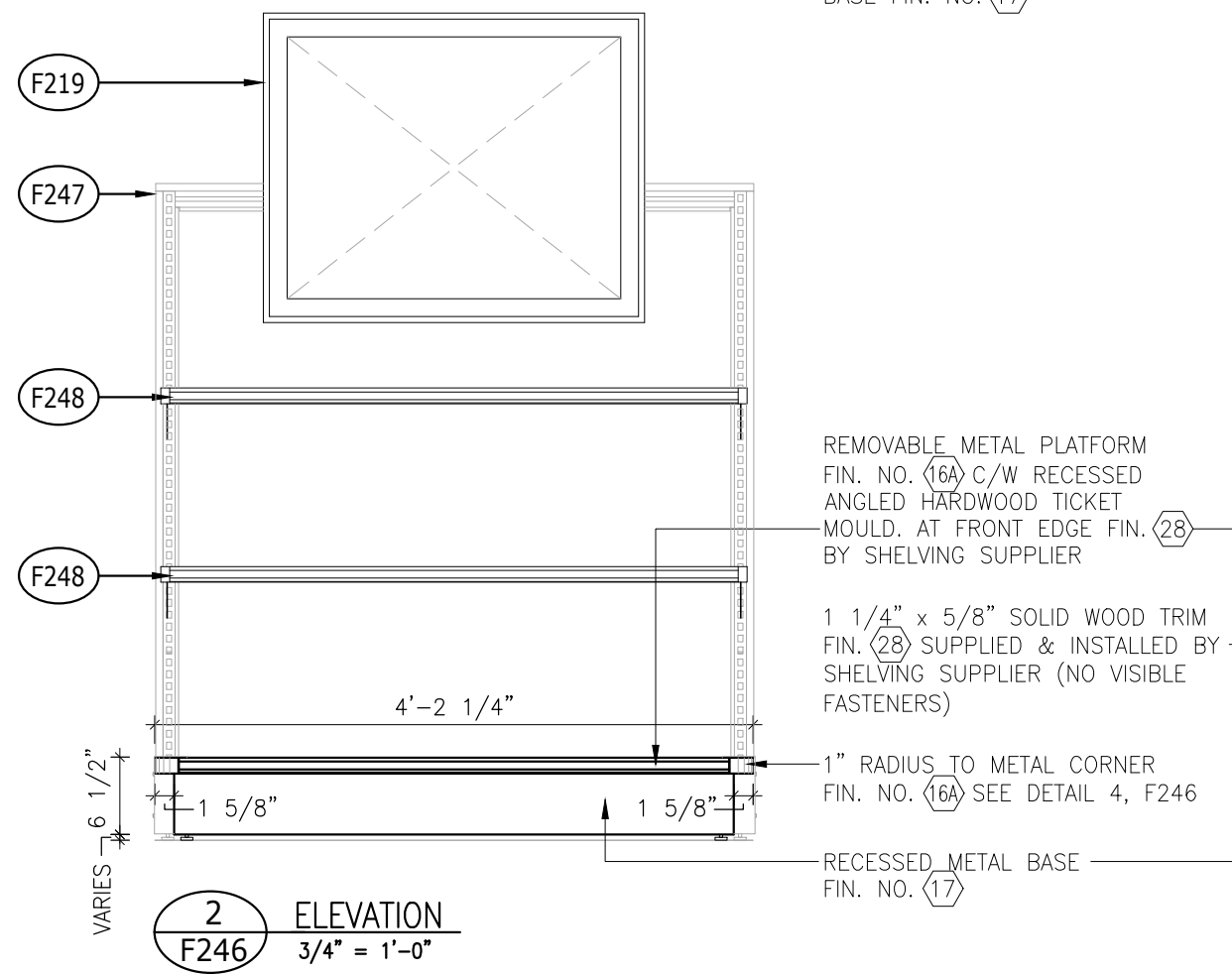
200 GENERAL LIST	REVISION DATE	REV.	2 of 2	ISSUE DATE	STORE TYPE	STORE #
DOUBLE SIDED GIFT/SPIRITS FIXTURE WITH METAL SHELVES (ILLUMINATED)	2021 MAR.	17	F244	2021 APR		

RESERVED

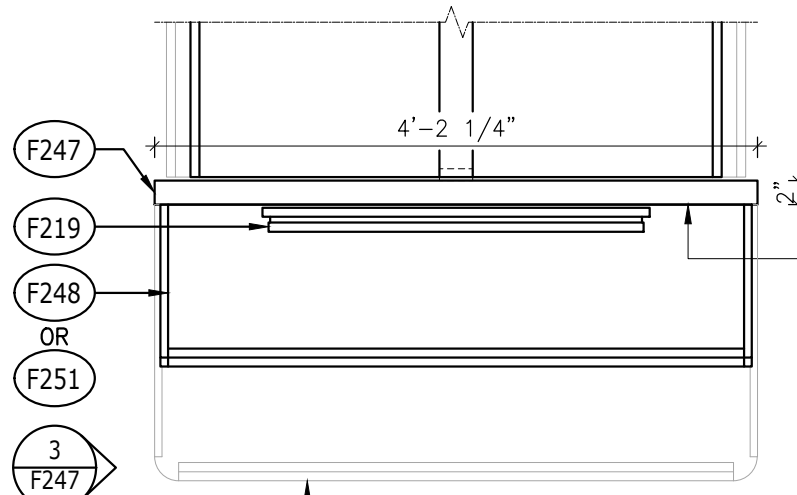
LCBO	200 GENERAL LIST	REVISION DATE	REV.	1 of 1	ISSUE DATE	STORE TYPE	STORE #
		2021 MAR	17	F245	2021 APR		



- GENERAL NOTES**
- DIMENSIONS SHOWN REFLECT SHELF & BASE DIMENSIONS ONLY & DO NOT TAKE METAL TICKET HOLDERS INTO ACCOUNT
 - SHELVING SUPPLIER TO OBTAIN 1" HIGH PAPER TICKET SAMPLE FROM LCBO PRIOR TO FABRICATION TO ENSURE PROPER FIT WITHIN TICKET MOULDING. SUBMIT SAMPLE FOR APPROVAL
 - PERFORATIONS IN REMOVABLE PLINTH ARE NOT ACCEPTABLE



LCBO	200 GENERAL LIST	REVISION DATE	REV.	1 of 1	ISSUE DATE	STORE TYPE	STORE #
	METAL PLINTH	2021 MAR	17	F246	2021 APR		

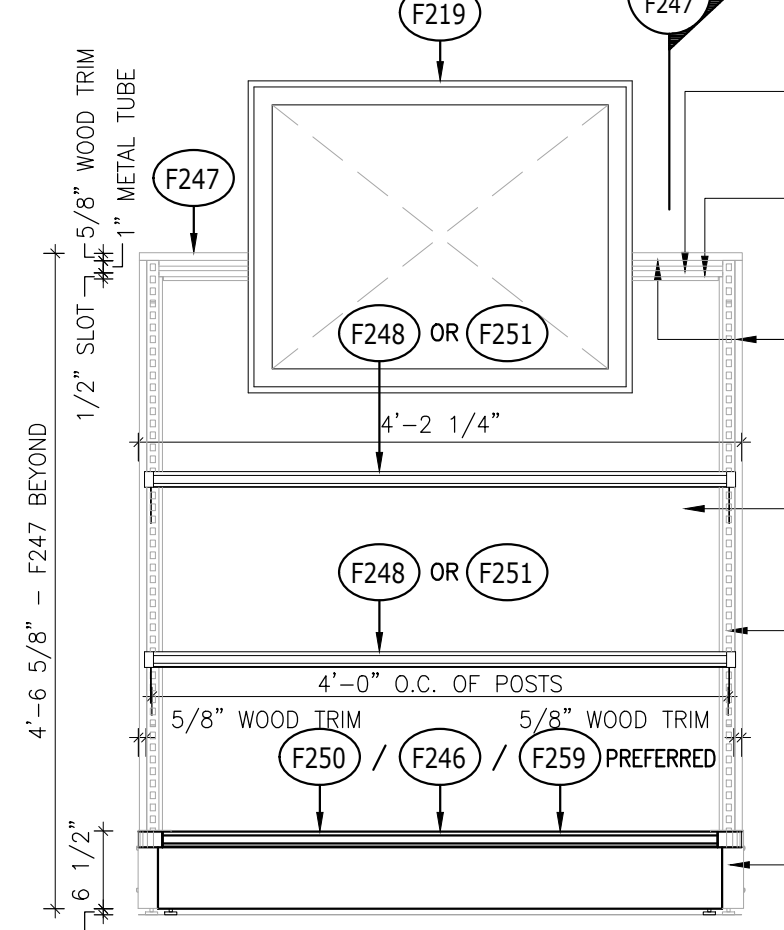


END CAP PANEL TO MATCH FIN. NO. (16A) C/W 2" x 5/8" SOLID WOOD TRIM FIN. NO. (28) BY SHELVING SUPPLIER

3 F247 SIM.

1 PLAN F247 3/4" = 1'-0"

NOTE: SOLID WOOD GRADE TO BE FAS



METAL CHANNEL FOR SLATWALL TYPE HARDWARE ON BACK OF P.O.P. FRAME. SHELVING SUPPLIER TO COORDINATE W/ MILLWORK CONTRACTOR

1" x 2" METAL TUBE FIN. (16A) BY SHELVING SUPPLIER

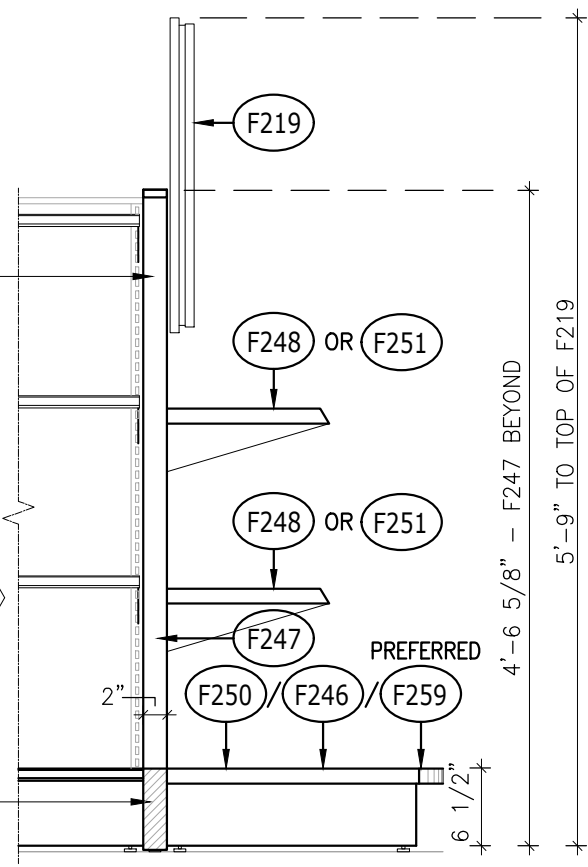
2" x 5/8" SOLID WD. TRIM FIN. (28) SUPPLIED & INSTALLED BY SHELVING SUPPLIER (NO VISIBLE FASTENERS)

MASONITE PANEL TO MATCH FIN. (16A) SHELVING SUPPLIER TO ENSURE END CAP PANEL HAS SUFFICIENT BLOCKING WITHIN TO MAINTAIN INTEGRITY OF MASONITE PANEL (i.e. AT CONNECTION TO GONDOLA POST)

HEAVY DUTY SLOTTED METAL POST (SLOTS AT 1" O.C. TYP.) FIN. NO. (16A)

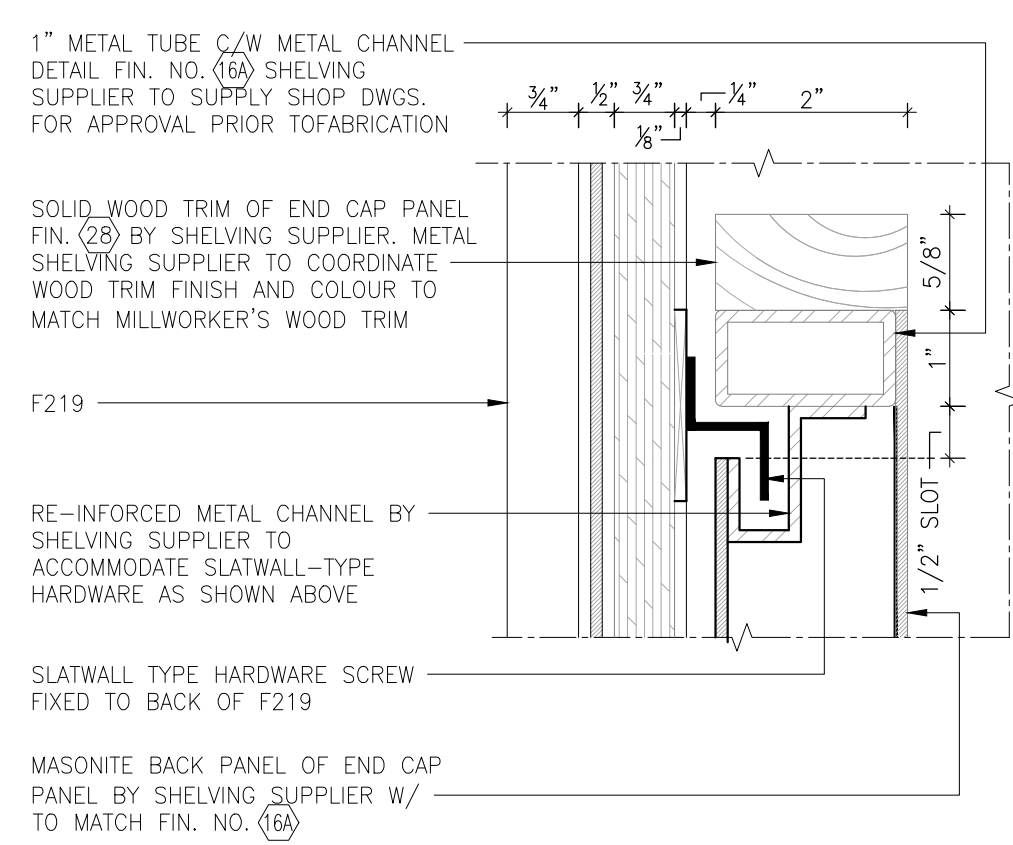
6 1/2" HIGH CONTINUOUS KICK PLATE FIN. NO. (17) (DENOTED BY HATCH PATTERN) TO WRAP AROUND ALL SIDES OF END CAP PANEL. KICK PLATE TO BE ADJUSTABLE TO ACCOUNT FOR INCONSISTENCIES IN FLOOR LEVEL (i.e. SLEEVE DETAIL) METAL SHELVING SUPPLIER TO SUBMIT DETAIL FOR APPROVAL WITH SHOP DRAWING SUBMISSION

2 ELEVATION F247 3/4" = 1'-0"



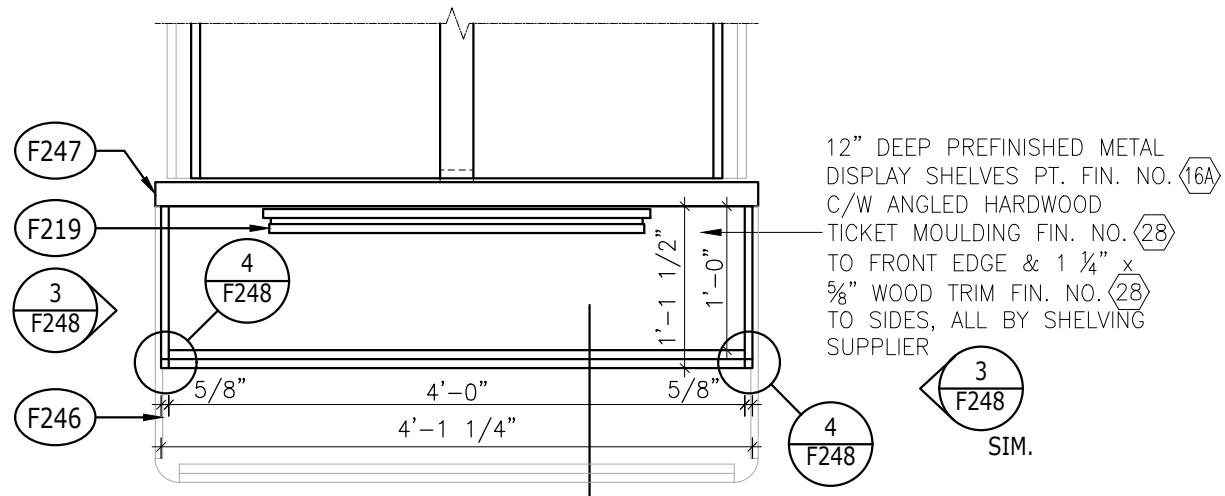
3 ELEVATION F247 3/4" = 1'-0"

- GENERAL NOTES
- DIMENSIONS SHOWN REFLECT SHELF & BASE DIMENSIONS ONLY & DO NOT TAKE METAL TICKET HOLDERS INTO ACCOUNT
 - ALL ADJUSTMENTS TO COMPENSATE FOR NON-LEVEL FLOOR SURFACES TO BE MADE AT BOTTOM END OF POST
 - GC TO CO-ORDINATE MILLWORK + METAL SHELF INSTALLATION
 - END CAP PANELS (F247) TO BE SECURED TO END POSTS USING THRU-BOLTS, CONCEALED FROM CUSTOMER VIEW. METAL SHELVING SUPPLIER TO ENSURE END CAP PANEL HAS SUFFICIENT BLOCKING WITHIN TO MAINTAIN INTEGRITY OF MASONITE PANEL.



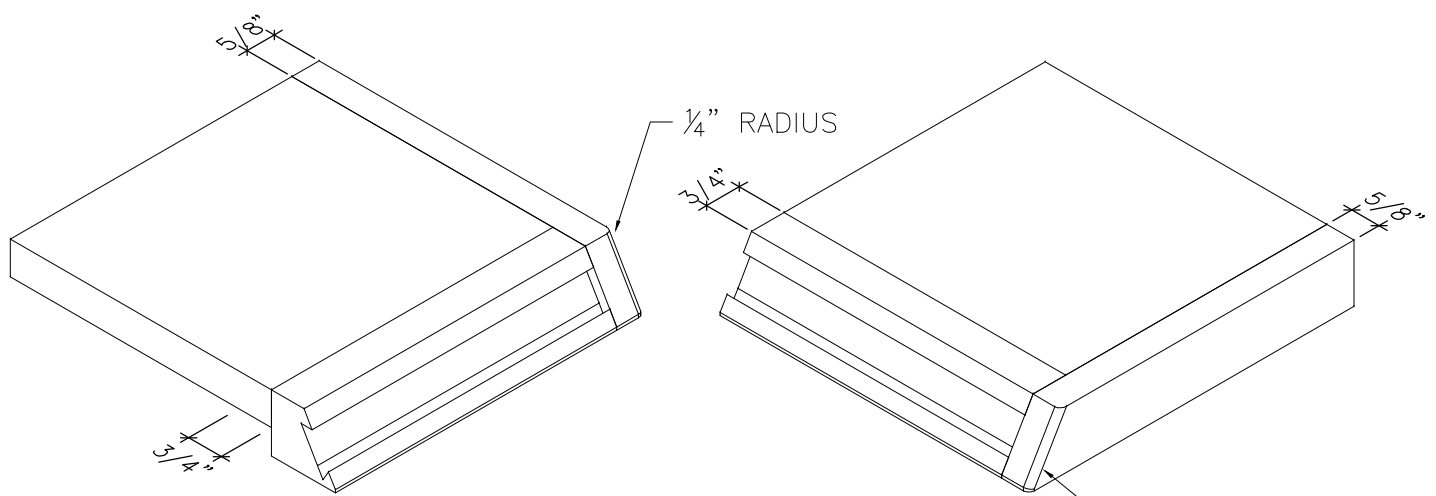
4 DETAIL F247 6" = 1'-0"

LCBO	200 GENERAL LIST	REVISION DATE	REV.	1 of 1	ISSUE DATE	STORE TYPE	STORE #
	GONDOLA METAL END CAP PANEL (54" H.)	2021 MAR	17	F247	2021 APR		

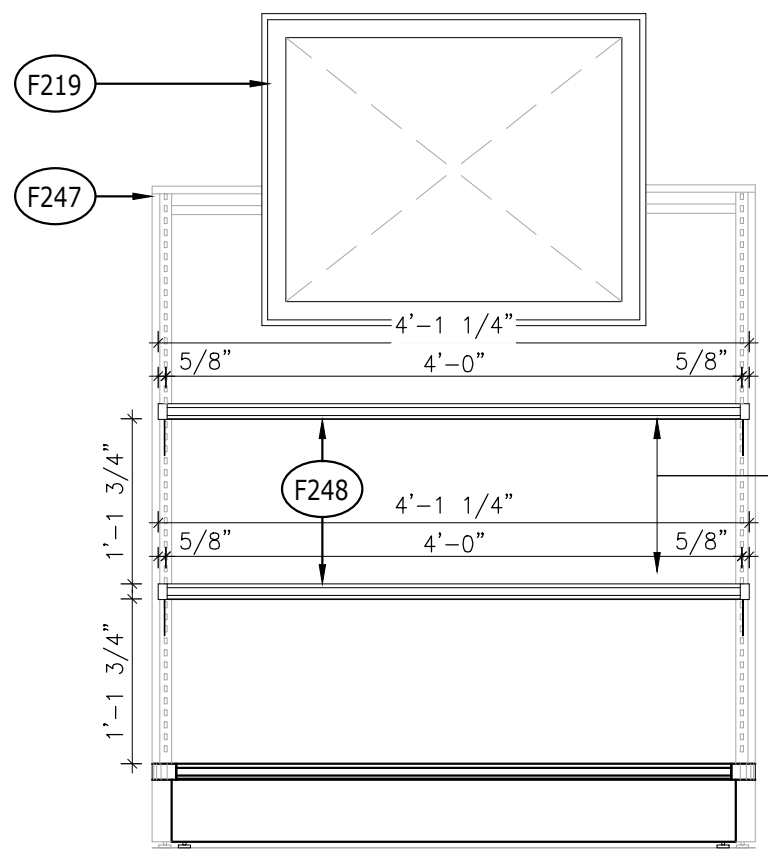


1 PLAN
F248 3/4" = 1'-0"

12" DEEP PREFINISHED METAL DISPLAY SHELVES PT. FIN. NO. (16A)
C/W ANGLED HARDWOOD TICKET MOULDING FIN. NO. (28) TO FRONT EDGE & 1 1/4" x 5/8" WOOD TRIM FIN. NO. (28) TO SIDES, ALL BY SHELVING SUPPLIER



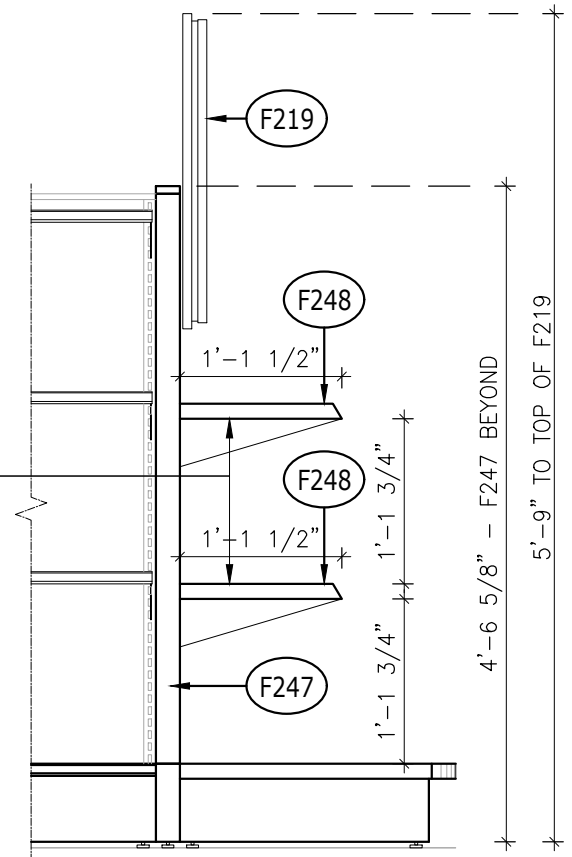
4 ISOMETRIC VIEW - ANGLED WOOD BLOCK DETAIL
F248 AT SHELF CORNERS



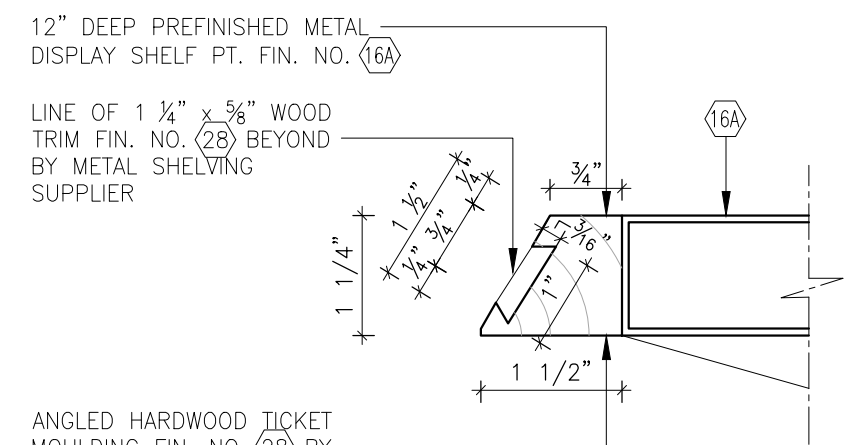
2 ELEVATION
F248 3/4" = 1'-0"

NOTE:
SOLID WOOD GRADE TO BE FAS

12" DEEP PREFINISHED METAL DISPLAY SHELVES PT. FIN. NO. (16A)
C/W ANGLED HARDWOOD TICKET MOULDING FIN. NO. (28) TO FRONT EDGE & 1 1/4" x 5/8" WOOD TRIM FIN. NO. (28) TO SIDES, ALL BY SHELVING SUPPLIER



3 ELEVATION
F248 3/4" = 1'-0"

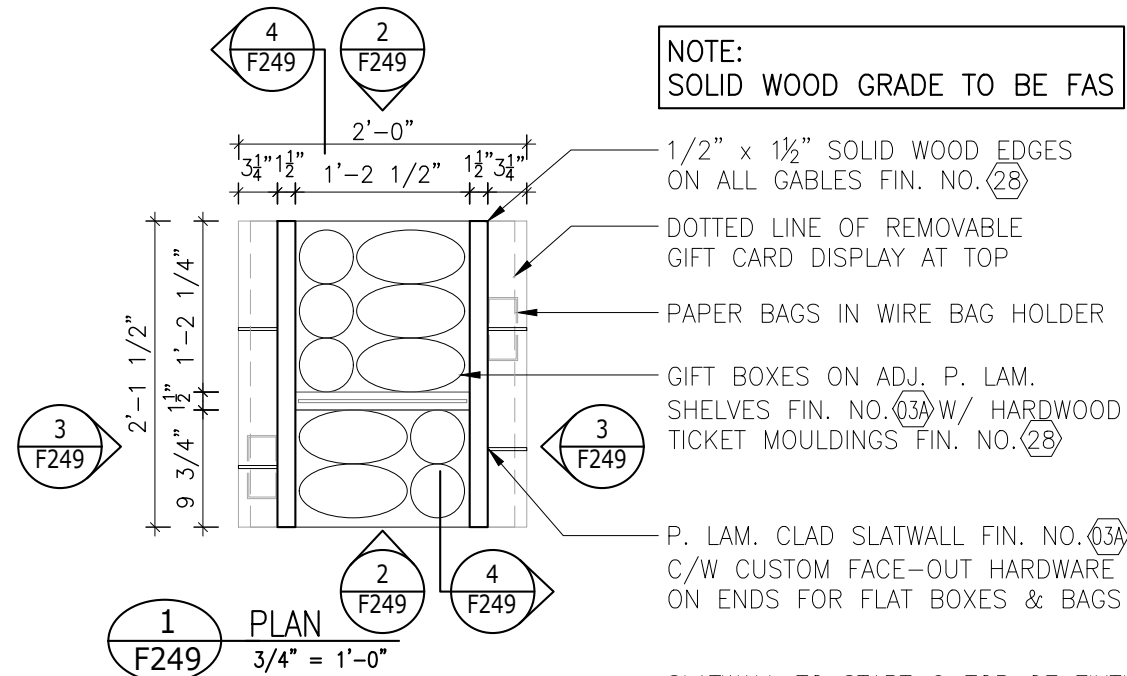


5 SECTION-DETAIL
F248 6" = 1'-0"

GENERAL NOTES

- SHELVING SUPPLIER TO OBTAIN 1" HIGH PAPER TICKET SAMPLE FROM LCBO PRIOR TO FABRICATION TO ENSURE PROPER FIT WITHIN TICKET MOULDING. SUBMIT SAMPLE FOR APPROVAL
- PERFORATIONS IN METAL SHELF ARE NOT ACCEPTABLE

LCBO	200 GENERAL LIST	REVISION DATE	REV.	1 of 1	ISSUE DATE	STORE TYPE	STORE #
	GONDOLA END METAL DISPLAY SHELVES	2021 MAR	17	F248	2021 APR		



NOTE:
SOLID WOOD GRADE TO BE FAS

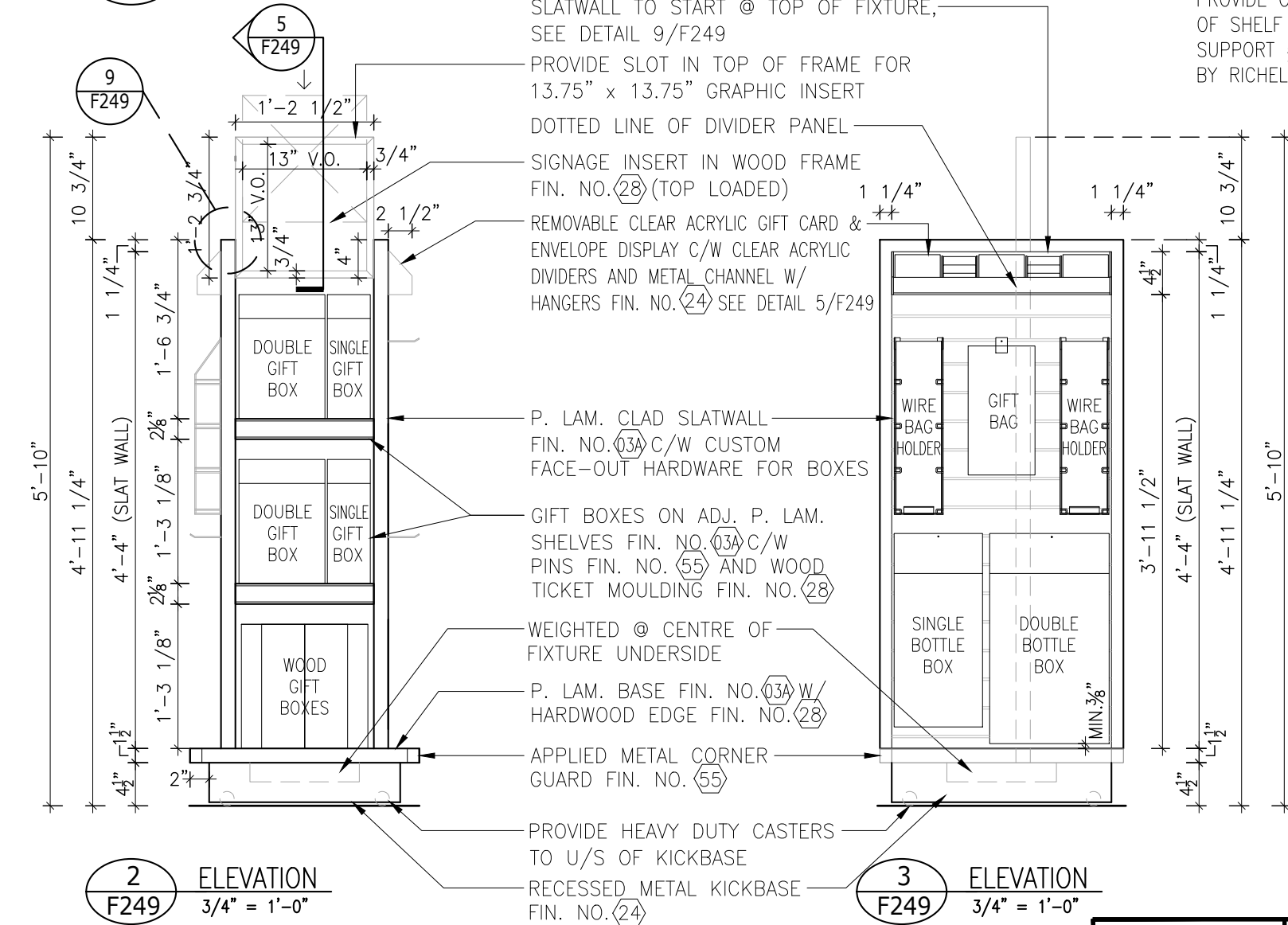
- 1/2" x 1/2" SOLID WOOD EDGES ON ALL GABLES FIN. NO. (28)
- DOTTED LINE OF REMOVABLE GIFT CARD DISPLAY AT TOP
- PAPER BAGS IN WIRE BAG HOLDER
- GIFT BOXES ON ADJ. P. LAM. SHELVES FIN. NO. (3A) W/ HARDWOOD TICKET MOULDINGS FIN. NO. (28)
- P. LAM. CLAD SLATWALL FIN. NO. (3A) C/W CUSTOM FACE-OUT HARDWARE ON ENDS FOR FLAT BOXES & BAGS

ALL METAL HARDWARE TO BE FIN. (24) (IRON GLIMMER)

ENSURE NEW SHELF SPACING ALLOWS FOR ADEQUATE CLEARANCE WITH NEW TICKET MOULDING

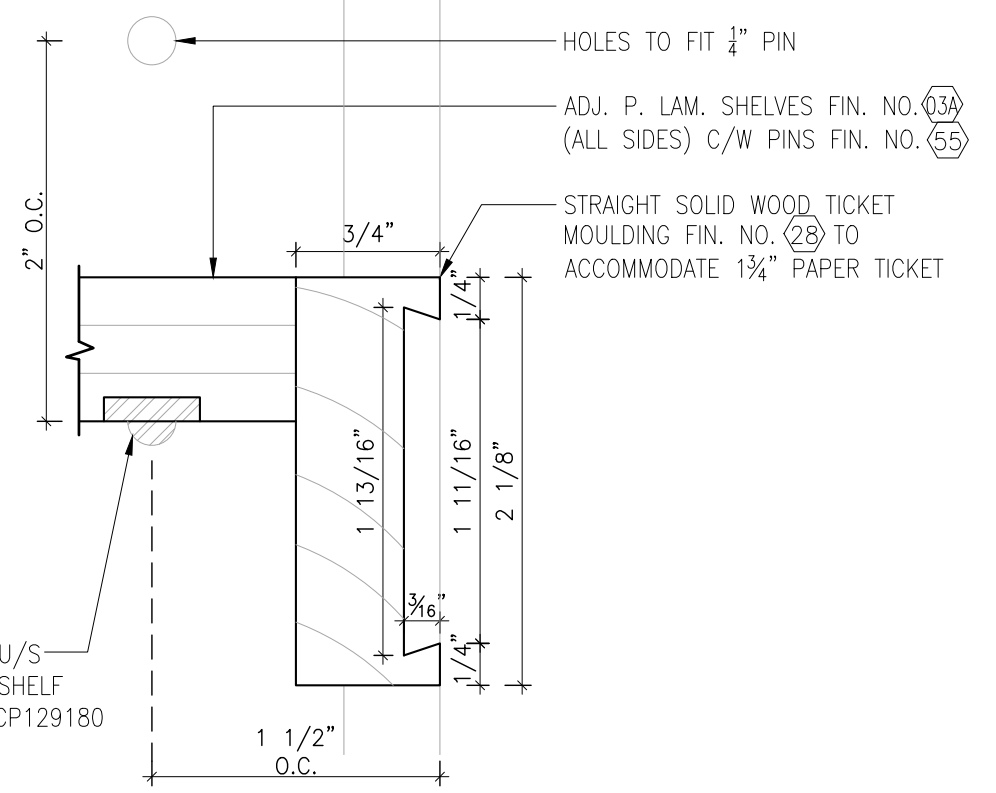
SHELVING ACCESSORIES	
ITEM	QTY
ACRYLIC HOLDER	2
HOOKS (TBD)	6
WIRE BAG HOLDER	4

NOTE:
GIFT PACKAGING & GIFT CARDS TO BE SUPPLIED & INSTALLED BY LCBO

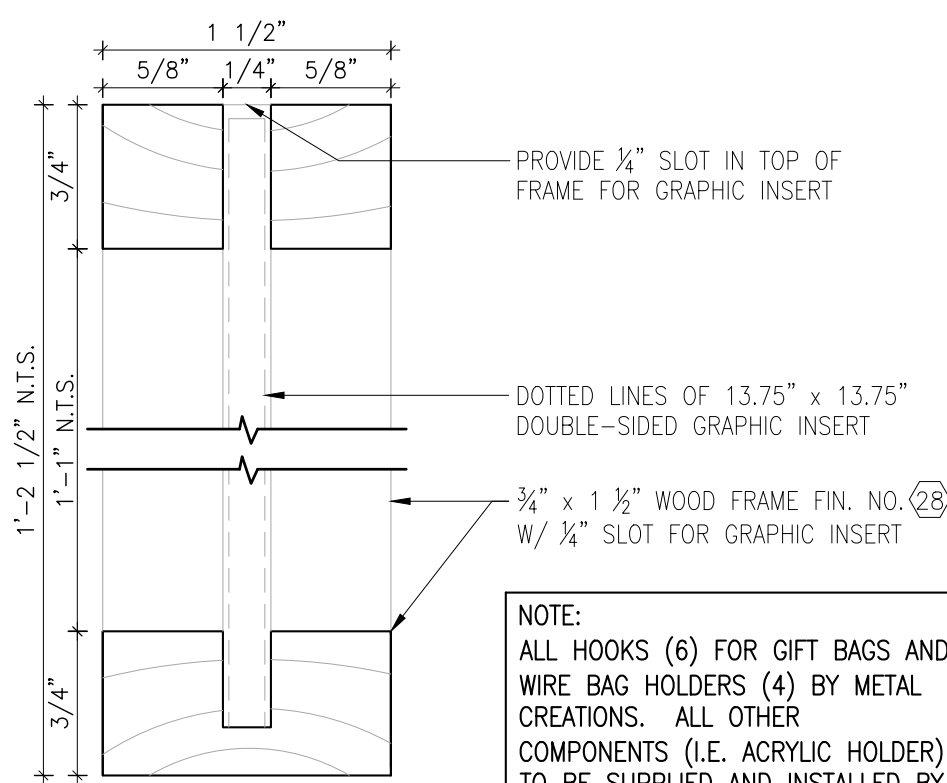


- SLATWALL TO START @ TOP OF FIXTURE, SEE DETAIL 9/F249
- PROVIDE SLOT IN TOP OF FRAME FOR 13.75" x 13.75" GRAPHIC INSERT
- DOTTED LINE OF DIVIDER PANEL
- SIGNAGE INSERT IN WOOD FRAME FIN. NO. (28) (TOP LOADED)
- REMOVABLE CLEAR ACRYLIC GIFT CARD & ENVELOPE DISPLAY C/W CLEAR ACRYLIC DIVIDERS AND METAL CHANNEL W/ HANGERS FIN. NO. (24) SEE DETAIL 5/F249
- P. LAM. CLAD SLATWALL FIN. NO. (3A) C/W CUSTOM FACE-OUT HARDWARE FOR BOXES
- GIFT BOXES ON ADJ. P. LAM. SHELVES FIN. NO. (3A) C/W PINS FIN. NO. (55) AND WOOD TICKET MOULDING FIN. NO. (28)
- WEIGHTED @ CENTRE OF FIXTURE UNDERSIDE
- P. LAM. BASE FIN. NO. (3A) W/ HARDWOOD EDGE FIN. NO. (28)
- APPLIED METAL CORNER GUARD FIN. NO. (55)
- PROVIDE HEAVY DUTY CASTERS TO U/S OF KICKBASE
- RECESSED METAL KICKBASE FIN. NO. (24)

PROVIDE CUT-OUT TO U/S OF SHELF FOR METAL SHELF SUPPORT #CP128180/CP129180 BY RICHELIEU



- HOLES TO FIT 1/4" PIN
- ADJ. P. LAM. SHELVES FIN. NO. (3A) (ALL SIDES) C/W PINS FIN. NO. (55)
- STRAIGHT SOLID WOOD TICKET MOULDING FIN. NO. (28) TO ACCOMMODATE 1 3/4" PAPER TICKET

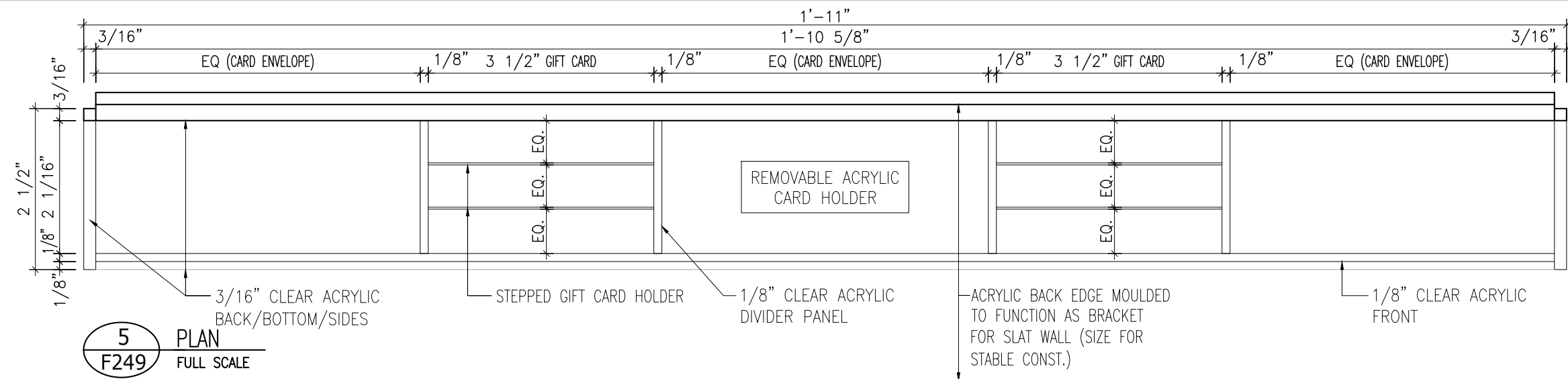


NOTE:
ALL HOOKS (6) FOR GIFT BAGS AND WIRE BAG HOLDERS (4) BY METAL CREATIONS. ALL OTHER COMPONENTS (I.E. ACRYLIC HOLDER) TO BE SUPPLIED AND INSTALLED BY MILLWORK CONTRACTOR.

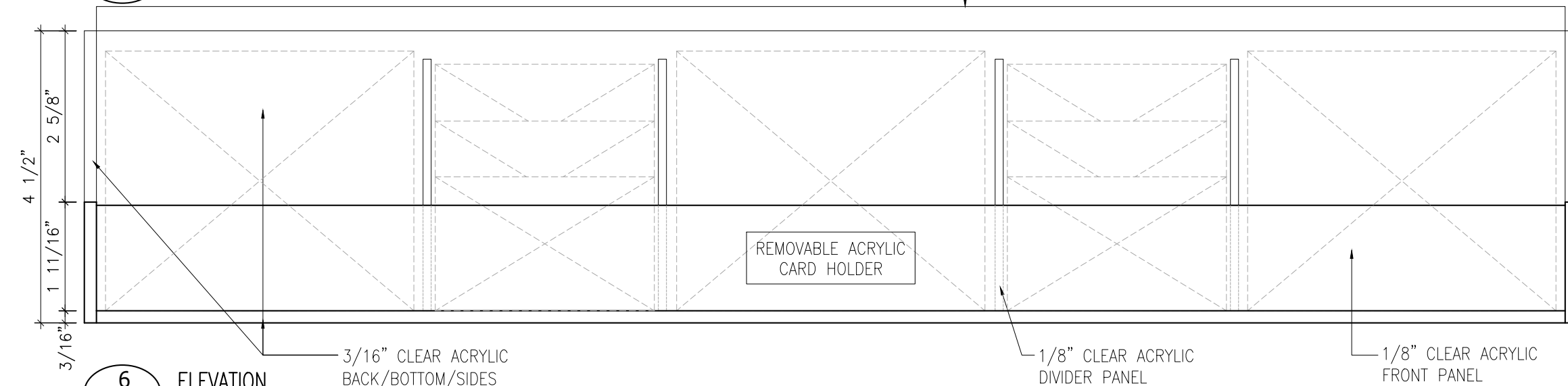
NOTE:
ALL CONSTRUCTION MDF UNLESS OTHERWISE NOTED.

METAL CREATIONS
465 SIGNET DRIVE
WESTON, ONTARIO
T: (416) 744-8801

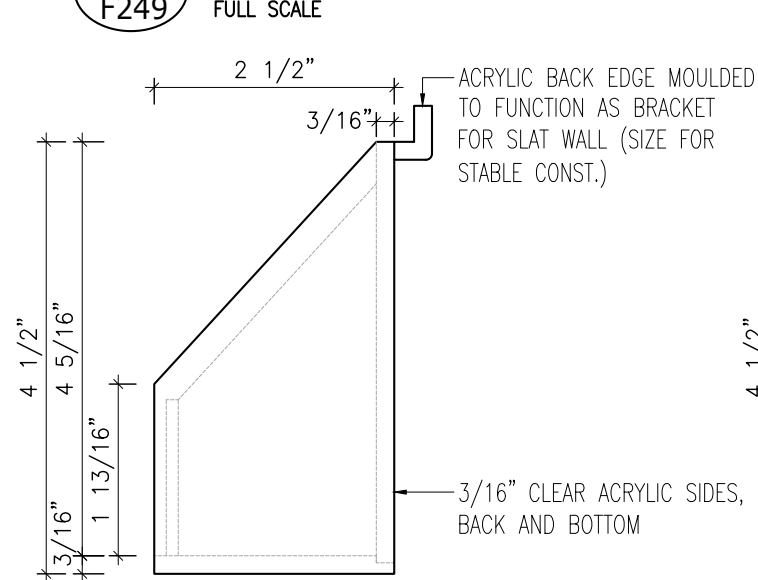
LCBO	200 GENERAL LIST	REVISION DATE	REV.	1 of 2	ISSUE DATE	STORE TYPE	STORE #
	GIFT PACKAGING FIXTURE	2021 MAR	17	F249	2021 APR		



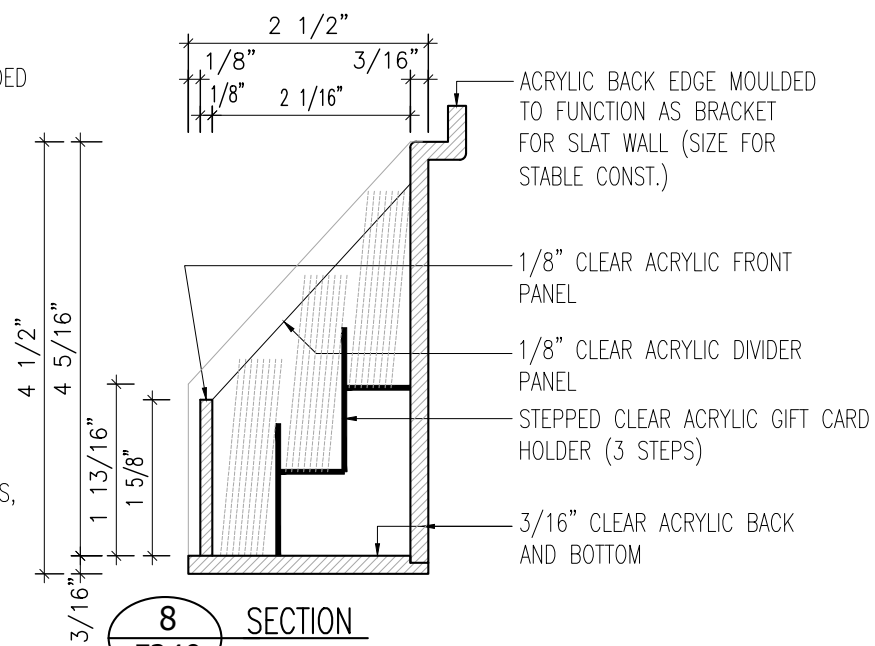
5 PLAN
F249 FULL SCALE



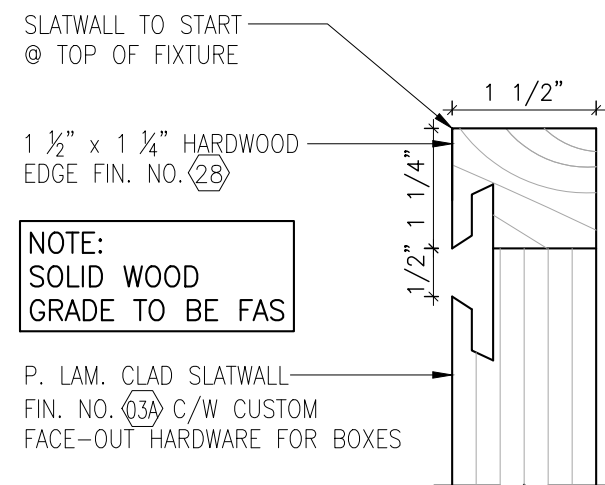
6 ELEVATION
F249 FULL SCALE



7 SIDE ELEVATION
F249 FULL SCALE

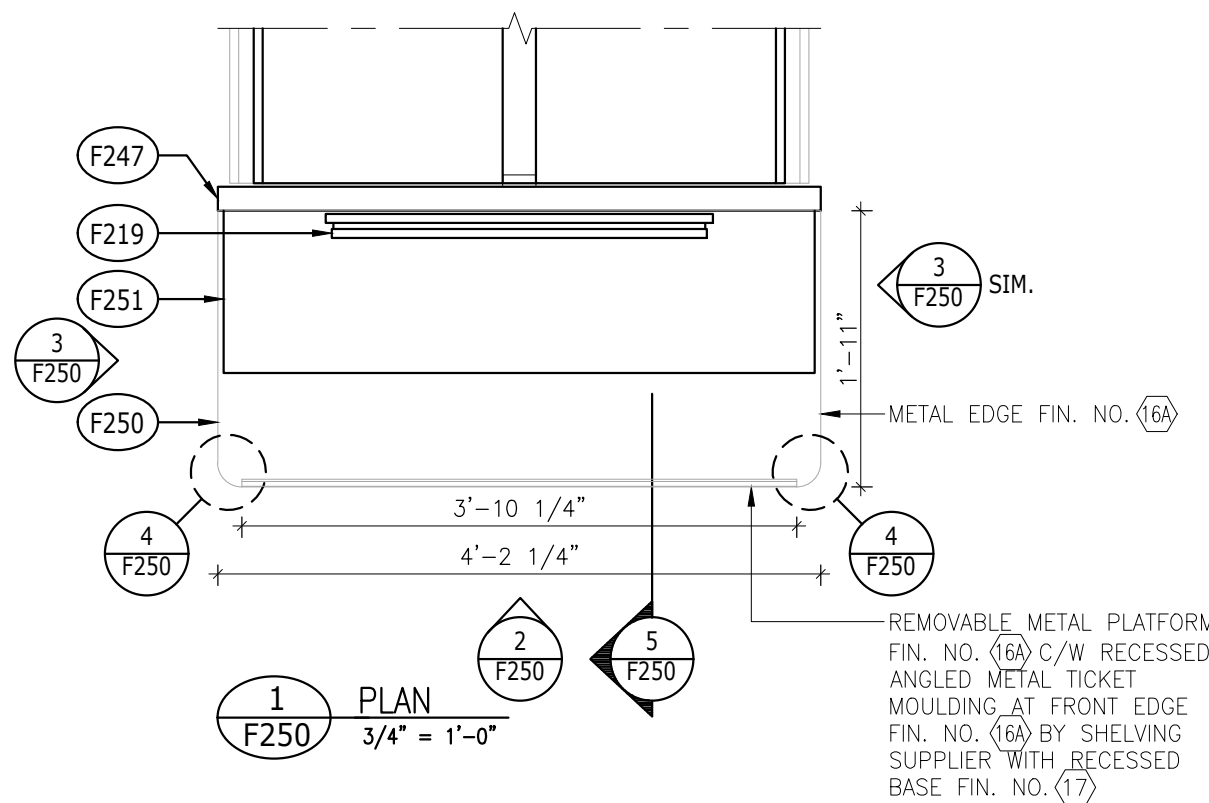


8 SECTION
F249 FULL SCALE

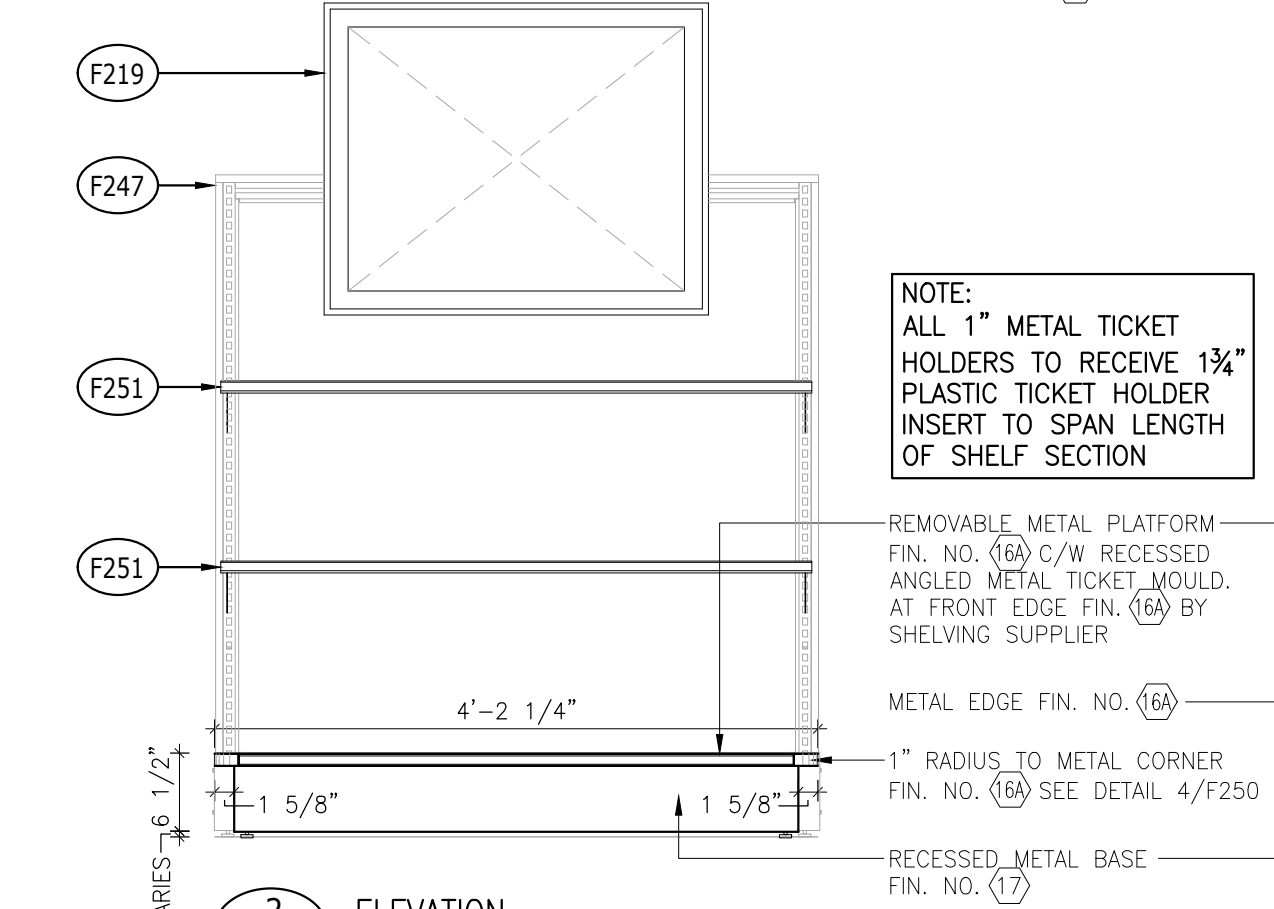


9 DETAIL
F249 FULL SCALE

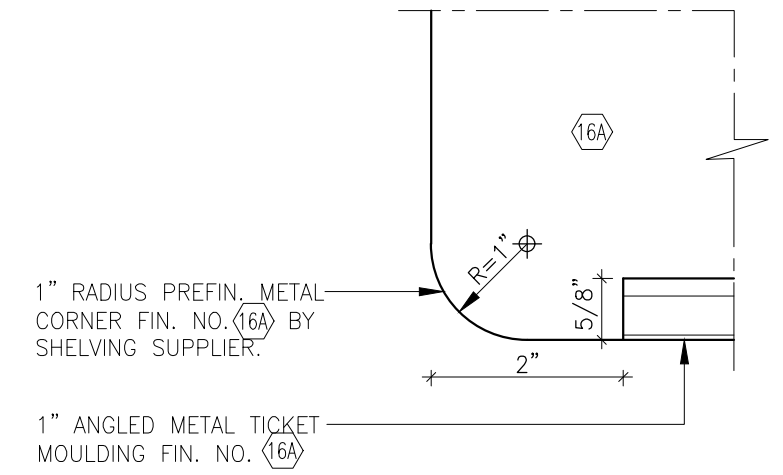
LCBO	200 GENERAL LIST	REVISION DATE	REV.	2 of 2	ISSUE DATE	STORE TYPE	STORE #
	GIFT PACKAGING FIXTURE	2021 MAR	17	F249	2021 APR		



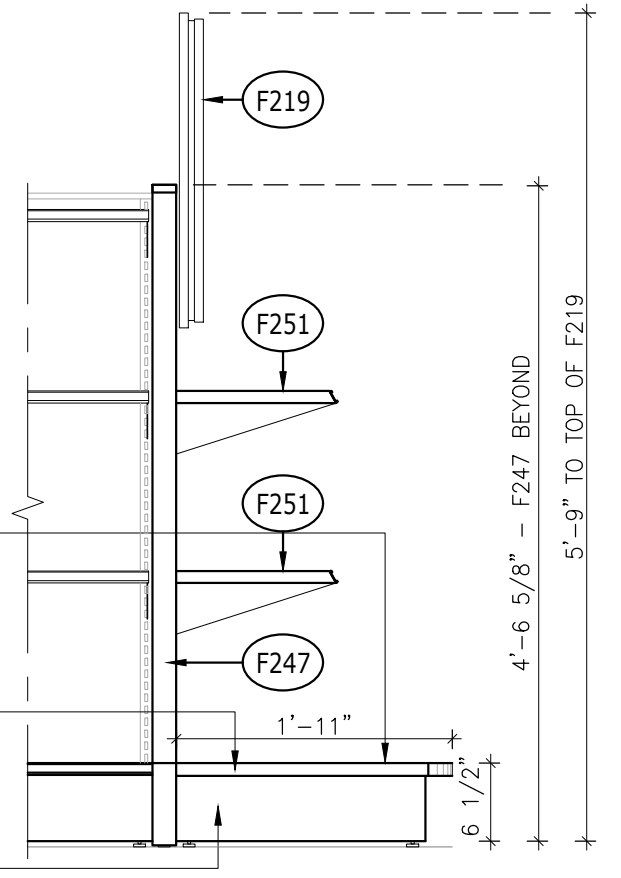
1 PLAN
F250 3/4" = 1'-0"



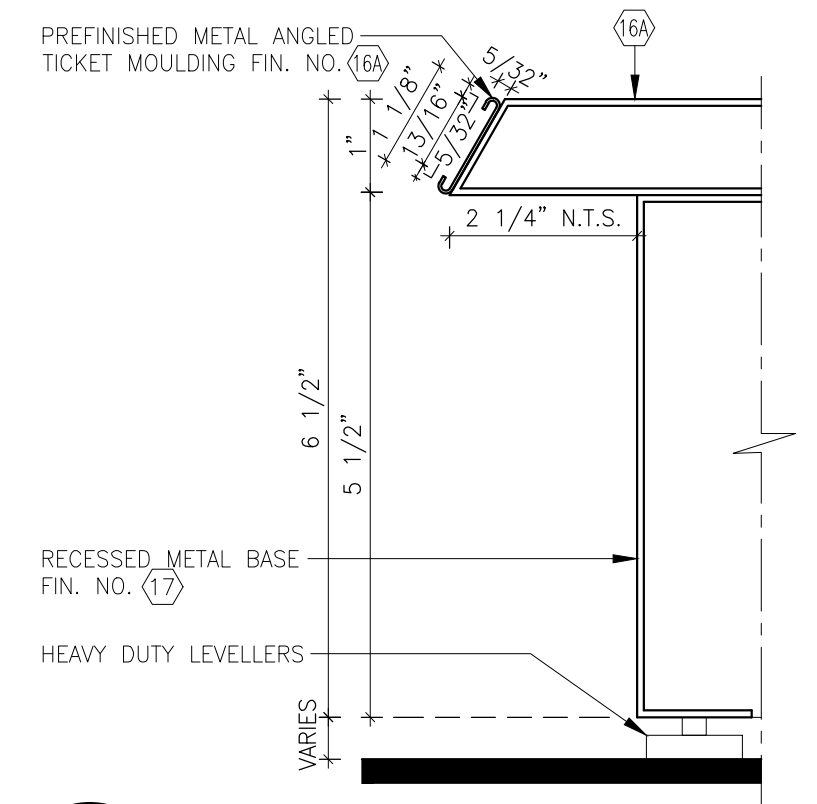
2 ELEVATION
F250 3/4" = 1'-0"



4 PLAN-DETAIL
F250 6" = 1'-0"



3 ELEVATION
F250 3/4" = 1'-0"



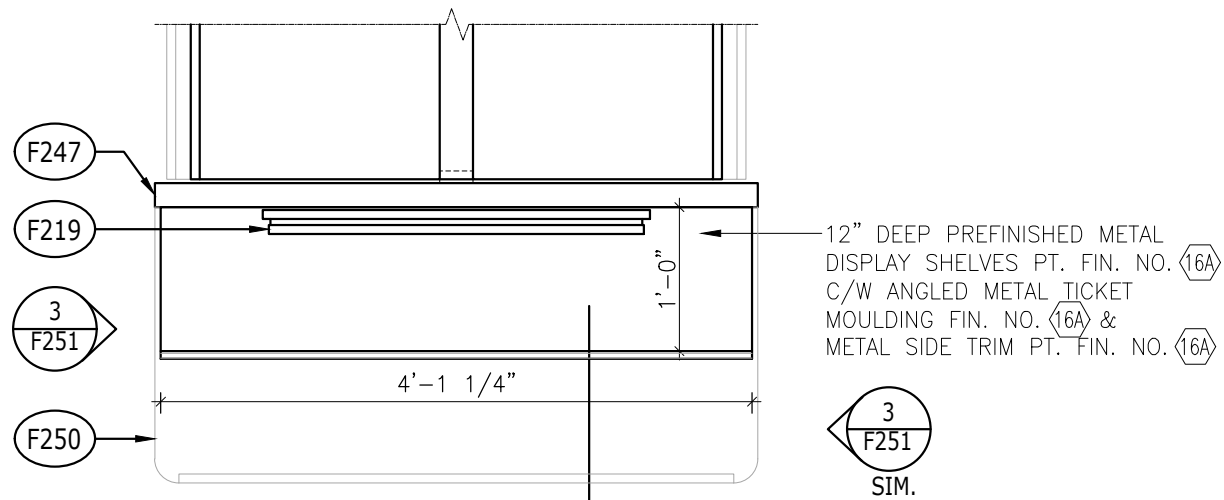
5 SECTION-DETAIL
F250 6" = 1'-0"

GENERAL NOTES

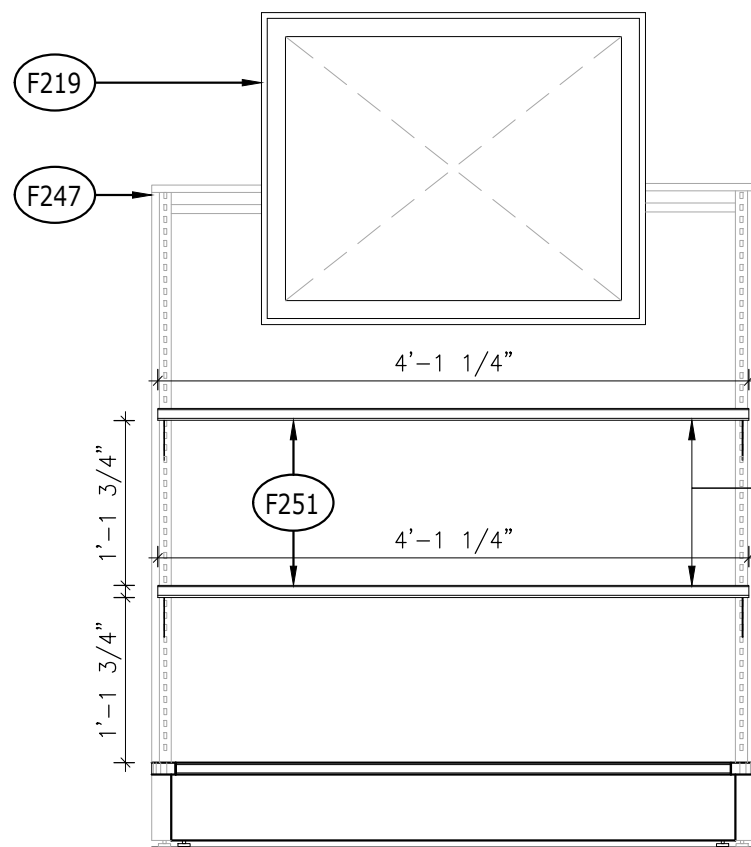
- DIMENSIONS SHOWN REFLECT SHELF & BASE DIMENSIONS ONLY & DO NOT TAKE METAL TICKET HOLDERS INTO ACCOUNT
- SHELVING SUPPLIER TO OBTAIN 1" HIGH PAPER TICKET SAMPLE FROM LCBO PRIOR TO FABRICATION TO ENSURE PROPER FIT WITHIN TICKET MOULDING. SUBMIT SAMPLE FOR APPROVAL
- PERFORATIONS IN REMOVABLE PLINTH ARE NOT ACCEPTABLE

NOTE:
ALL 1" METAL TICKET HOLDERS TO RECEIVE 1 3/4" PLASTIC TICKET HOLDER INSERT TO SPAN LENGTH OF SHELF SECTION

LCBO	200 GENERAL LIST	REVISION DATE	REV.	1 of 1	ISSUE DATE	STORE TYPE	STORE #
	METAL PLINTH W/ METAL TICKET MOULDING	2019 APR	17	F250	2021 APR		

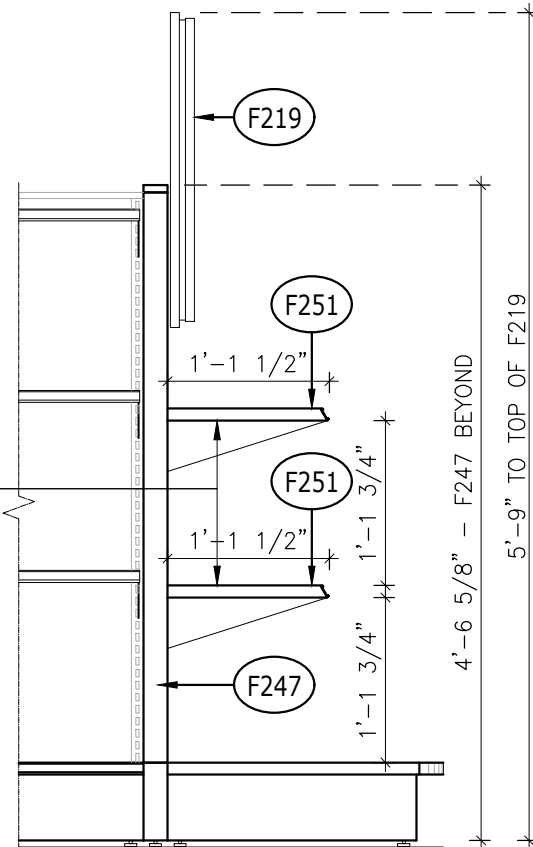


1 PLAN
F251 3/4" = 1'-0"



2 ELEVATION
F251 3/4" = 1'-0"

NOTE:
ALL 1" METAL TICKET HOLDERS TO RECEIVE 1 3/4" PLASTIC TICKET HOLDER INSERT TO SPAN LENGTH OF SHELF SECTION. PLASTIC TICKET HOLDER TO BE SUPPLIED & INSTALLED BY METAL SHELVING SUPPLIER



3 ELEVATION
F251 3/4" = 1'-0"

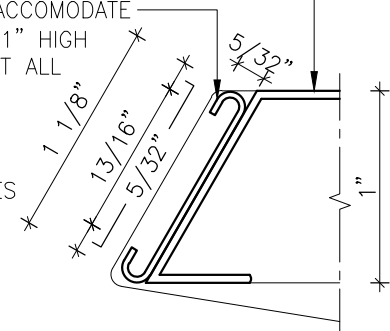
GENERAL NOTES

- SHELVING SUPPLIER TO OBTAIN 1" HIGH PAPER TICKET SAMPLE FROM LCBO PRIOR TO FABRICATION TO ENSURE PROPER FIT WITHIN TICKET MOULDING. SUBMIT SAMPLE FOR APPROVAL
- PERFORATIONS IN METAL SHELF ARE NOT ACCEPTABLE

HEAVY DUTY METAL SHELVING
C/W ANGLED METAL TICKET
HOLDERS ON H.D. METAL
BRACKETS ALL IN FIN. NO. (16A)

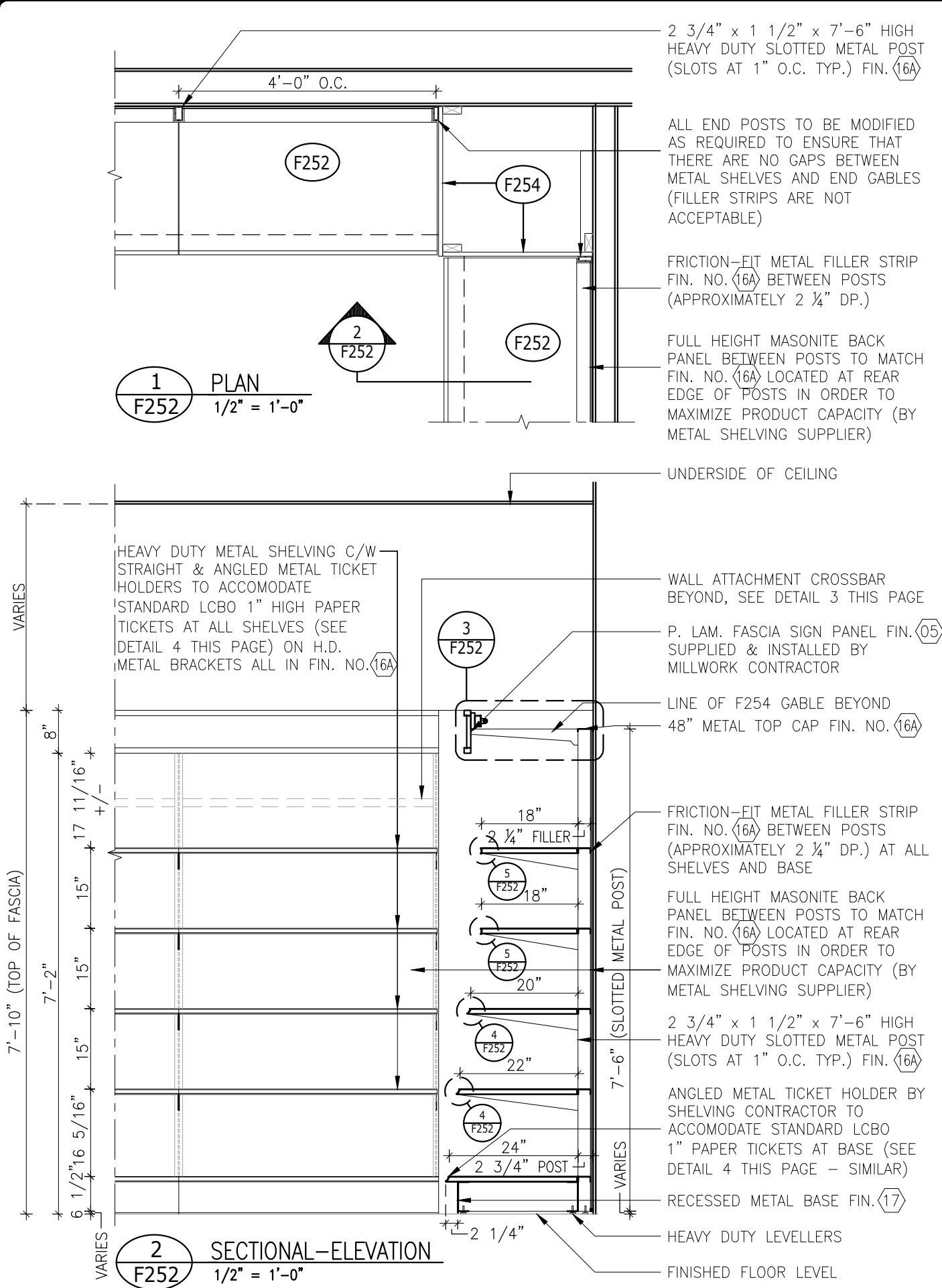
ANGLED METAL TICKET HOLDERS
(20 GAUGE) TO ACCOMODATE
STANDARD LCBO 1" HIGH
PAPER TICKETS AT ALL
SHELVES FIN.

NOTE:
NO VISIBLE HOLES
IN FRONT OF
TICKET HOLDER



4 ANGLED METAL TICKET HOLDER DETAIL
F251 FULL SCALE

LCBO	200 GENERAL LIST	REVISION DATE	REV.	1 of 1	ISSUE DATE	STORE TYPE	STORE #
	GONDOLA END METAL DISPLAY SHELVES W/ METAL TICKET MOULDING	2021 MAR.	17	F251	2021 APR		



1 PLAN
F252 1/2" = 1'-0"

2 SECTIONAL-ELEVATION
F252 1/2" = 1'-0"

2 3/4" x 1 1/2" x 7'-6" HIGH HEAVY DUTY SLOTTED METAL POST (SLOTS AT 1" O.C. TYP.) FIN. (16A)

ALL END POSTS TO BE MODIFIED AS REQUIRED TO ENSURE THAT THERE ARE NO GAPS BETWEEN METAL SHELVES AND END GABLES (FILLER STRIPS ARE NOT ACCEPTABLE)

FRICITION-FIT METAL FILLER STRIP FIN. NO. (16A) BETWEEN POSTS (APPROXIMATELY 2 1/4" DP.)

FULL HEIGHT MASONITE BACK PANEL BETWEEN POSTS TO MATCH FIN. NO. (16A) LOCATED AT REAR EDGE OF POSTS IN ORDER TO MAXIMIZE PRODUCT CAPACITY (BY METAL SHELVING SUPPLIER)

UNDERSIDE OF CEILING

HEAVY DUTY METAL SHELVING C/W STRAIGHT & ANGLED METAL TICKET HOLDERS TO ACCOMODATE 'STANDARD LCBO 1" HIGH PAPER TICKETS AT ALL SHELVES (SEE DETAIL 4 THIS PAGE) ON H.D. METAL BRACKETS ALL IN FIN. NO. (16A)

WALL ATTACHMENT CROSSBAR BEYOND, SEE DETAIL 3 THIS PAGE

P. LAM. FASCIA SIGN PANEL FIN. (05) SUPPLIED & INSTALLED BY MILLWORK CONTRACTOR

LINE OF F254 GABLE BEYOND

48" METAL TOP CAP FIN. NO. (16A)

FRICITION-FIT METAL FILLER STRIP FIN. NO. (16A) BETWEEN POSTS (APPROXIMATELY 2 1/4" DP.) AT ALL SHELVES AND BASE

FULL HEIGHT MASONITE BACK PANEL BETWEEN POSTS TO MATCH FIN. NO. (16A) LOCATED AT REAR EDGE OF POSTS IN ORDER TO MAXIMIZE PRODUCT CAPACITY (BY METAL SHELVING SUPPLIER)

2 3/4" x 1 1/2" x 7'-6" HIGH HEAVY DUTY SLOTTED METAL POST (SLOTS AT 1" O.C. TYP.) FIN. (16A)

ANGLED METAL TICKET HOLDER BY SHELVING CONTRACTOR TO ACCOMODATE STANDARD LCBO 1" PAPER TICKETS AT BASE (SEE DETAIL 4 THIS PAGE - SIMILAR)

RECESSED METAL BASE FIN. (17)

HEAVY DUTY LEVELLERS

FINISHED FLOOR LEVEL

NOTE:
MILLWORK CONTRACTOR TO ENSURE THAT WOOD SIGN BAND IS TRUE AND LEVEL

NOTE:
ALL 1" METAL TICKET HOLDERS TO RECEIVE 1 3/4" PLASTIC TICKET HOLDER INSERT (SUPPLIED & INSTALLED BY METAL SHELVING SUPPLIER) TO SPAN LENGTH OF SHELF SECTION

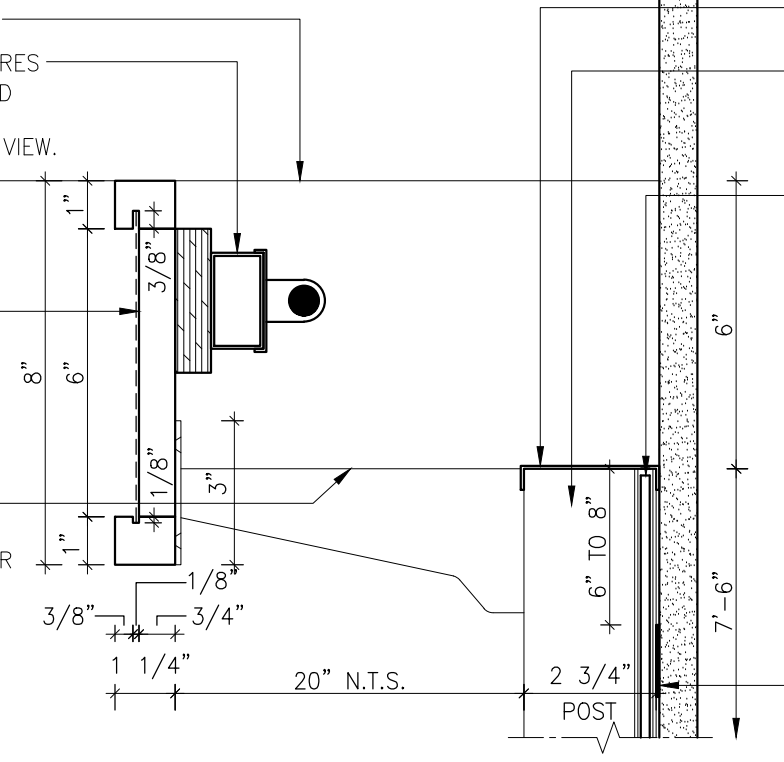
LINE OF F254 GABLE BEYOND

T5 FLUORESCENT LIGHT FIXTURES MOUNTED TO A 3/4" PLYWOOD STRIP. ALL POWER FEEDS CONCEALED FROM CUSTOMER VIEW.

P.LAM FASCIA SIGN PANEL FIN. NO. (05) SUPPLIED AND INSTALLED BY MILLWORK CONTRACTOR WITH AS FEW SEAMS AS POSSIBLE (i.e. MINIMUM 8'-0" LENGTHS EXCEPT AT END RUNS AS REQ'D.

20" METAL BRACKET W/ WELDED 3" X 3" METAL FLANGE BY SHELVING SUPPLIER ALL IN FIN. NO. (16A)

3 DETAIL
F252 3" = 1'-0"



48" METAL TOP CAP FIN. NO. (16A)

2 3/4" x 1 1/2" x 7'-6" HIGH HEAVY DUTY SLOTTED METAL POST (SLOTS AT 1" O.C. TYP.) FIN. NO. (16A)

FULL HEIGHT MASONITE BACK PANEL BETWEEN POSTS TO MATCH FIN. (16A) LOCATED AT REAR EDGE TO POSTS IN ORDER TO MAXIMIZE PRODUCT CAPACITY (BY METAL SHELVING SUPPLIER)

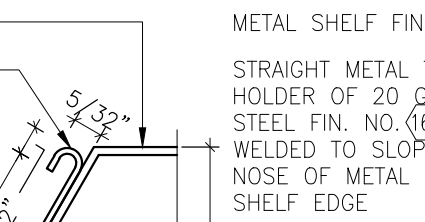
HORIZONTAL WALL ATTACHMENT CROSSBAR CONCEALED BEHIND MASONITE PANEL SCREWED TO PARTITION. GC TO PROVIDE BLOCKING WITHIN PARTITION AS REQUIRED. WHEN BLOCKING WITHIN PARTITION IS NOT POSSIBLE, GC TO STRAP EXIST. WALL WITH 3/4" THK. PLY, SECURED TO EXISTING STUDS.

METAL SHELF FIN. NO. (16A)

ANGLED METAL TICKET HOLDER OF 20 GAUGE STEEL FIN. NO. (16A) WELDED TO SLOPE NOSE OF METAL SHELF EDGE

METAL SHELVING SUPPLIER TO SUPPLY & INSTALL PLASTIC TICKET HOLDER

4 ANGLED METAL TICKET HOLDER DETAIL
F252 FULL SCALE

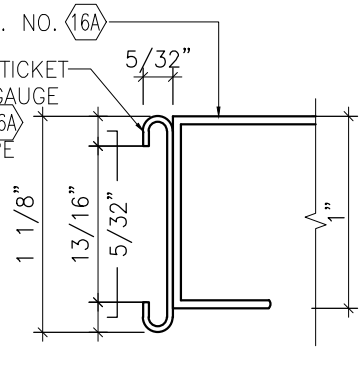


METAL SHELF FIN. NO. (16A)

STRAIGHT METAL TICKET HOLDER OF 20 GAUGE STEEL FIN. NO. (16A) WELDED TO SLOPE NOSE OF METAL SHELF EDGE

NOTE: NO VISIBLE HOLES IN FRONT OF TICKET HOLDER

5 STRAIGHT METAL TICKET HOLDER DETAIL
F252 FULL SCALE



GENERAL NOTES

ALL DIMENSIONS INDICATED FROM FINISH FLOOR ARE TAKEN FROM THE HIGHEST FINISHED FLOOR ELEVATION OF THAT FLOOR SYSTEM

ALL ADJUSTMENTS TO COMPENSATE FOR NON-LEVEL FLOOR SURFACES TO BE MADE AT BOTTOM END OF POST

G.C. TO CO-ORDINATE MILLWORK + METAL SHELF INSTALLATION

SHELVING SUPPLIER RESPONSIBLE FOR INSTALLATION OF WALL STRAPPING AS REQUIRED

MILLWORK CONTRACTOR TO OBTAIN SIGNAGE SAMPLE FROM LCBO PRIOR TO FABRICATION TO ENSURE PROPER FIT OF SIGNAGE INSERT

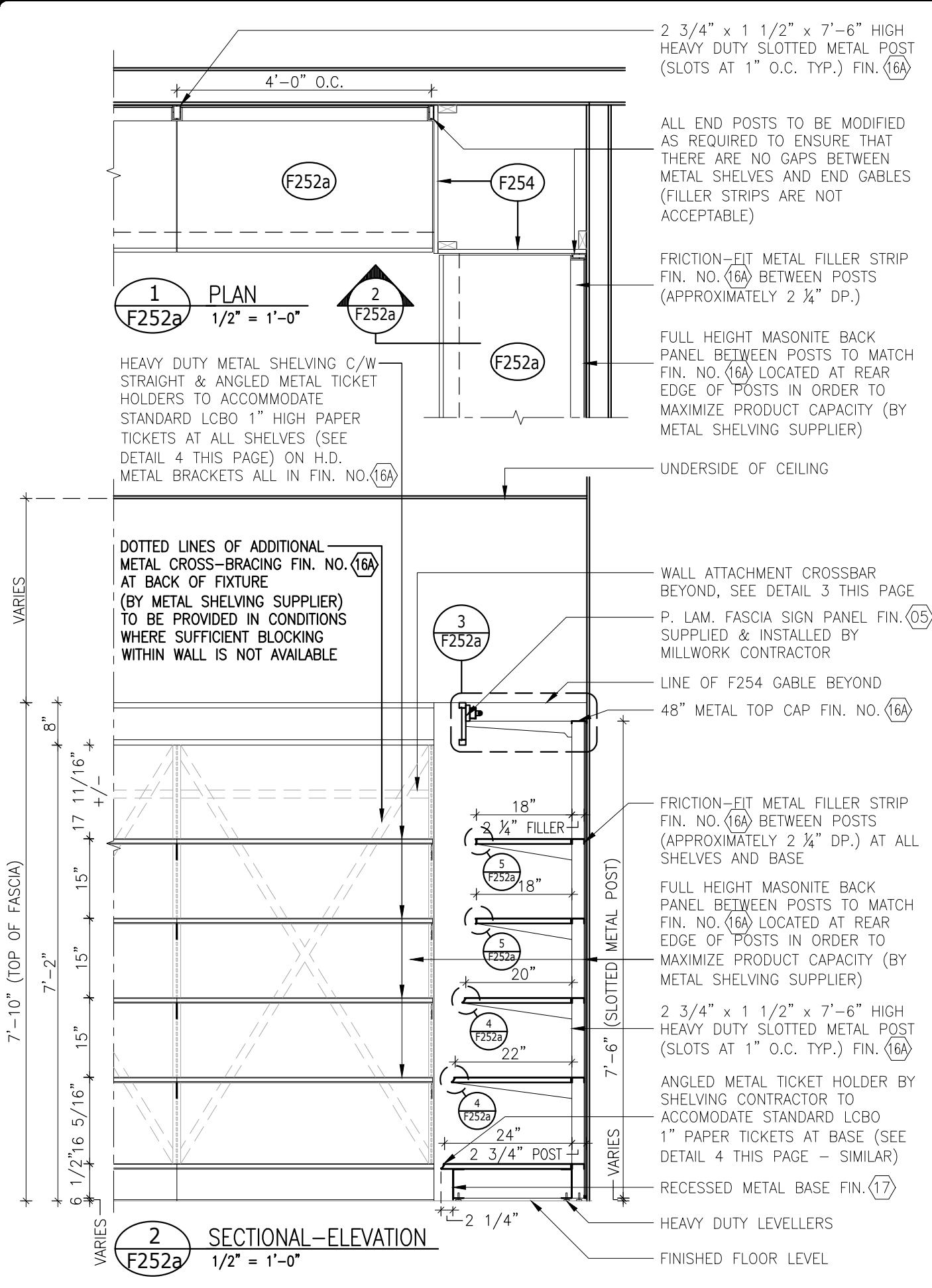
SHELVES TO SUPPORT LOAD CAPACITY OF 500LBS

ALL END POSTS TO BE MODIFIED AS REQUIRED TO ENSURE THAT THERE ARE NO GAPS BETWEEN METAL SHELVES AND END GABLES (FILLER STRIPS ARE NOT ACCEPTABLE)

GENERAL NOTES

- DIMENSIONS SHOWN REFLECT SHELF & BASE DIMENSIONS ONLY & DO NOT TAKE METAL TICKET HOLDERS INTO ACCOUNT
- ALL ADJUSTMENTS TO COMPENSATE FOR NON-LEVEL FLOOR SURFACES TO BE MADE AT BOTTOM END OF POST
- GC TO CO-ORDINATE MILLWORK + METAL SHELF INSTALLATION
- T5 FLUORESCENT LIGHT FIXTURES TO BE SUPPLIED & INSTALLED BY G.C.
- GC RESPONSIBLE FOR INSTALLATION OF WALL STRAPPING AS REQ'D.
- MILLWORK CONTRACTOR TO OBTAIN SIGNAGE SAMPLE FROM LCBO PRIOR TO FABRICATION TO ENSURE PROPER FIT OF SIGNAGE INSERT
- SHELVING SUPPLIER TO OBTAIN 1" HIGH PAPER TICKET SAMPLE FROM LCBO PRIOR TO FABRICATION TO ENSURE PROPER FIT WITHIN TICKET MOULDING. SUBMIT SAMPLE FOR APPROVAL
- GC TO ENSURE ALL SHELVES ARE IN EXACT ALIGNMENT AND ARE TRUE & LEVEL. PERFORATED SHELVES ARE ACCEPTABLE. SHELVES TO SUPPORT LOAD CAPACITY OF 500LBS
- ALL END POSTS TO BE MODIFIED AS REQUIRED TO ENSURE THAT THERE ARE NO GAPS BETWEEN METAL SHELVES AND END GABLES (FILLER STRIPS ARE NOT ACCEPTABLE)

LCBO	200 GENERAL LIST	REVISION DATE	REV.	1 of 1	ISSUE DATE	STORE TYPE	STORE #
	48" PERIM. MET. SHELVING UNIT w/ FASCIA & MET. TICKET MOULD. (7'-10" H.)	2021 MAR.	17	F252	2021 APR		



NOTE:
MILLWORK CONTRACTOR TO ENSURE THAT WOOD SIGN BAND IS TRUE AND LEVEL

NOTE:
ALL 1" METAL TICKET HOLDERS TO RECEIVE 1 3/4" PLASTIC TICKET HOLDER INSERT (TO BE SUPPLIED & INSTALLED BY METAL SHELVING SUPPLIER) TO SPAN LENGTH OF SHELF SECTION

ALL END POSTS TO BE MODIFIED AS REQUIRED TO ENSURE THAT THERE ARE NO GAPS BETWEEN METAL SHELVES AND END GABLES (FILLER STRIPS ARE NOT ACCEPTABLE)

FRICITION-FIT METAL FILLER STRIP FIN. NO. (16A) BETWEEN POSTS (APPROXIMATELY 2 1/4" DP.)

FULL HEIGHT MASONITE BACK PANEL BETWEEN POSTS TO MATCH FIN. NO. (16A) LOCATED AT REAR EDGE OF POSTS IN ORDER TO MAXIMIZE PRODUCT CAPACITY (BY METAL SHELVING SUPPLIER)

UNDERSIDE OF CEILING

WALL ATTACHMENT CROSSBAR BEYOND, SEE DETAIL 3 THIS PAGE

P. LAM. FASCIA SIGN PANEL FIN. (05) SUPPLIED & INSTALLED BY MILLWORK CONTRACTOR

LINE OF F254 GABLE BEYOND

48" METAL TOP CAP FIN. NO. (16A)

FRICITION-FIT METAL FILLER STRIP FIN. NO. (16A) BETWEEN POSTS (APPROXIMATELY 2 1/4" DP.) AT ALL SHELVES AND BASE

FULL HEIGHT MASONITE BACK PANEL BETWEEN POSTS TO MATCH FIN. NO. (16A) LOCATED AT REAR EDGE OF POSTS IN ORDER TO MAXIMIZE PRODUCT CAPACITY (BY METAL SHELVING SUPPLIER)

2 3/4" x 1 1/2" x 7'-6" HIGH HEAVY DUTY SLOTTED METAL POST (SLOTS AT 1" O.C. TYP.) FIN. (16A)

ANGLED METAL TICKET HOLDER BY SHELVING CONTRACTOR TO ACCOMODATE STANDARD LCBO 1" PAPER TICKETS AT BASE (SEE DETAIL 4 THIS PAGE - SIMILAR)

RECESSED METAL BASE FIN. (17)

HEAVY DUTY LEVELLERS

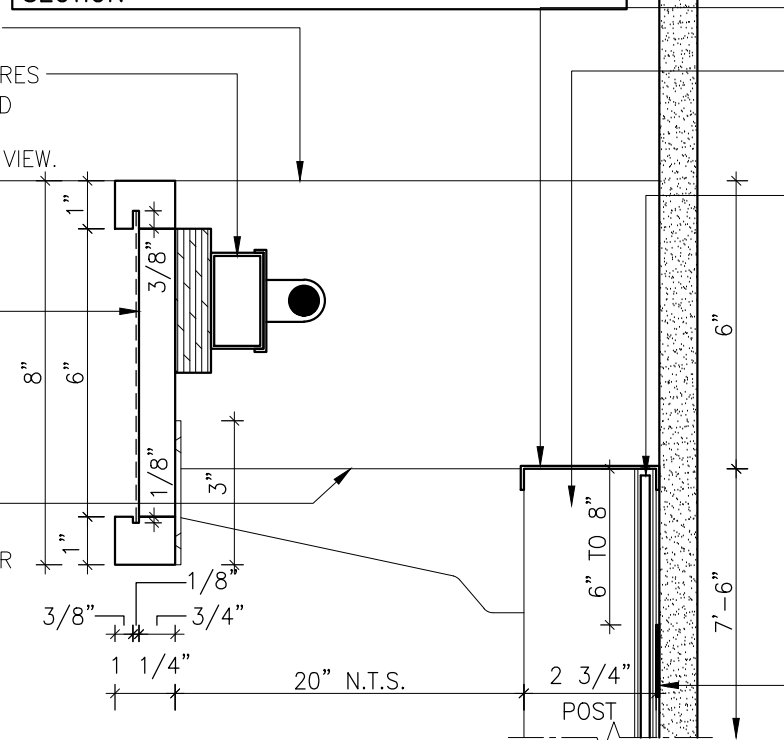
FINISHED FLOOR LEVEL

T5 FLUORESCENT LIGHT FIXTURES MOUNTED TO A 3/4" PLYWOOD STRIP. ALL POWER FEEDS CONCEALED FROM CUSTOMER VIEW.

P.LAM FASCIA SIGN PANEL FIN. NO. (05) SUPPLIED AND INSTALLED BY MILLWORK CONTRACTOR WITH AS FEW SEAMS AS POSSIBLE (i.e. MINIMUM 8'-0" LENGTHS EXCEPT AT END RUNS AS REQ'D.

20" METAL BRACKET W/ WELDED 3" X 3" METAL FLANGE BY SHELVING SUPPLIER ALL IN FIN. NO. (16A)

3 DETAIL
F252a 3" = 1'-0"



48" METAL TOP CAP FIN. NO. (16A)

2 3/4" x 1 1/2" x 7'-6" HIGH HEAVY DUTY SLOTTED METAL POST (SLOTS AT 1" O.C. TYP.) FIN. NO. (16A)

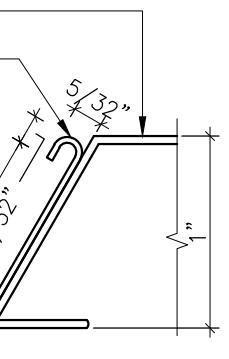
FULL HEIGHT MASONITE BACK PANEL BETWEEN POSTS TO MATCH FIN. (16A) LOCATED AT REAR EDGE TO POSTS IN ORDER TO MAXIMIZE PRODUCT CAPACITY (BY METAL SHELVING SUPPLIER)

HORIZONTAL WALL ATTACHMENT CROSSBAR CONCEALED BEHIND MASONITE PANEL SCREWED TO PARTITION. GC TO PROVIDE BLOCKING WITHIN PARTITION AS REQUIRED. WHEN BLOCKING WITHIN PARTITION IS NOT POSSIBLE, GC TO STRAP EXIST. WALL WITH 3/4" THK. PLY, SECURED TO EXISTING STUDS.

METAL SHELF FIN. NO. (16A)

ANGLED METAL TICKET HOLDER OF 20 GAUGE STEEL FIN. NO. (16A) WELDED TO SLOPE NOSE OF METAL SHELF EDGE

METAL SHELVING SUPPLIER TO SUPPLY & INSTALL PLASTIC TICKET HOLDER

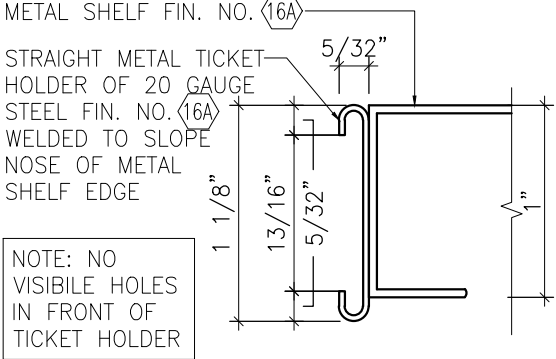


4 ANGLED METAL TICKET HOLDER DETAIL
F252a FULL SCALE

METAL SHELF FIN. NO. (16A)

STRAIGHT METAL TICKET HOLDER OF 20 GAUGE STEEL FIN. NO. (16A) WELDED TO SLOPE NOSE OF METAL SHELF EDGE

NOTE: NO VISIBLE HOLES IN FRONT OF TICKET HOLDER



5 STRAIGHT METAL TICKET HOLDER DETAIL
F252a FULL SCALE

GENERAL NOTES

ALL DIMENSIONS INDICATED FROM FINISH FLOOR ARE TAKEN FROM THE HIGHEST FINISHED FLOOR ELEVATION OF THAT FLOOR SYSTEM

ALL ADJUSTMENTS TO COMPENSATE FOR NON-LEVEL FLOOR SURFACES TO BE MADE AT BOTTOM END OF POST

G.C. TO CO-ORDINATE MILLWORK + METAL SHELF INSTALLATION

SHELVING SUPPLIER RESPONSIBLE FOR INSTALLATION OF WALL STRAPPING AS REQUIRED

MILLWORK CONTRACTOR TO OBTAIN SIGNAGE SAMPLE FROM LCBO PRIOR TO FABRICATION TO ENSURE PROPER FIT OF SIGNAGE INSERT

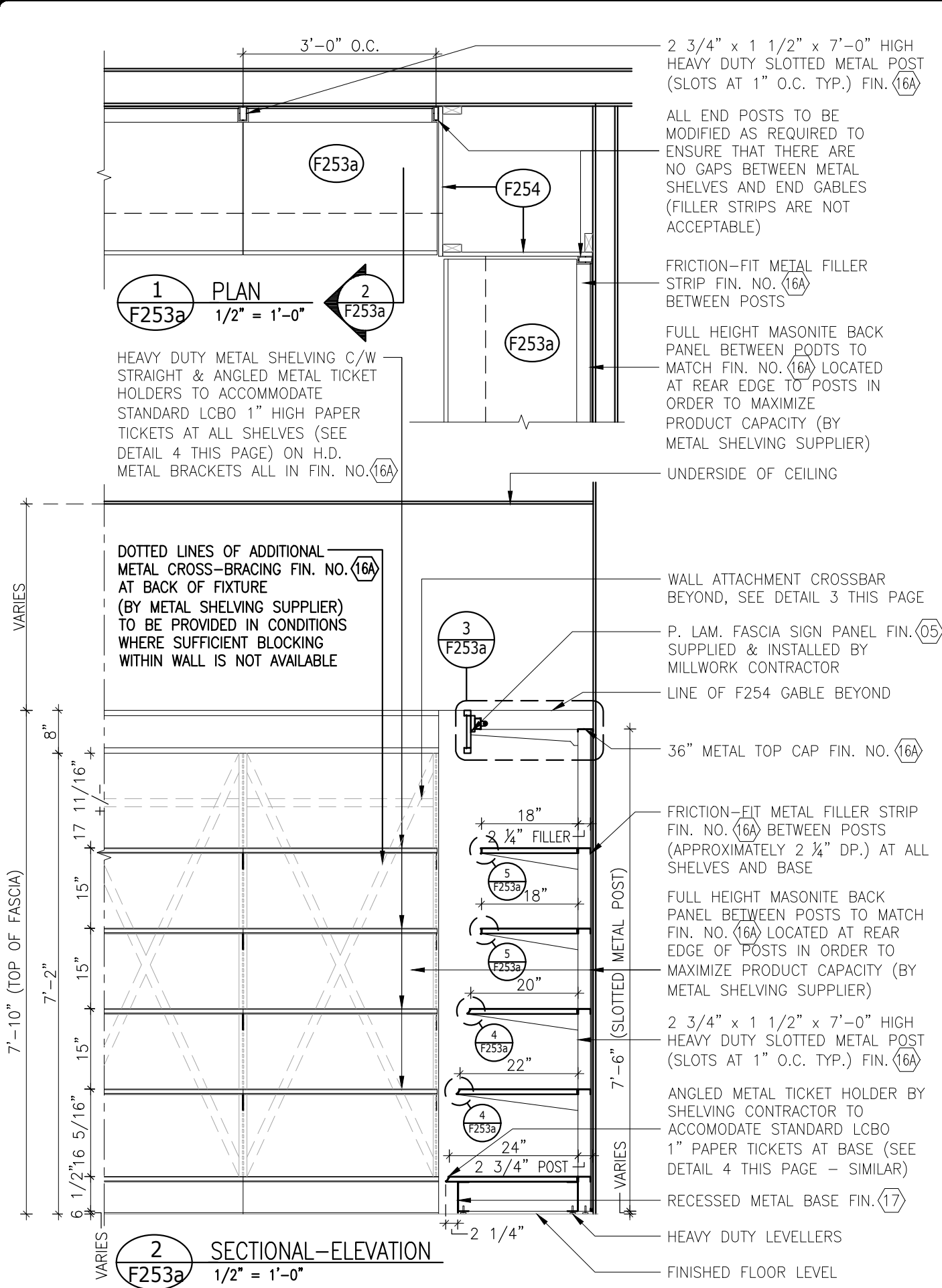
SHELVES TO SUPPORT LOAD CAPACITY OF 500LBS

ALL END POSTS TO BE MODIFIED AS REQUIRED TO ENSURE THAT THERE ARE NO GAPS BETWEEN METAL SHELVES AND END GABLES (FILLER STRIPS ARE NOT ACCEPTABLE)

GENERAL NOTES

- DIMENSIONS SHOWN REFLECT SHELF & BASE DIMENSIONS ONLY & DO NOT TAKE METAL TICKET HOLDERS INTO ACCOUNT
- ALL ADJUSTMENTS TO COMPENSATE FOR NON-LEVEL FLOOR SURFACES TO BE MADE AT BOTTOM END OF POST
- GC TO CO-ORDINATE MILLWORK + METAL SHELF INSTALLATION
- T5 FLUORESCENT LIGHT FIXTURES TO BE SUPPLIED & INSTALLED BY G.C.
- GC RESPONSIBLE FOR INSTALLATION OF WALL STRAPPING AS REQ'D.
- MILLWORK CONTRACTOR TO OBTAIN SIGNAGE SAMPLE FROM LCBO PRIOR TO FABRICATION TO ENSURE PROPER FIT OF SIGNAGE INSERT
- SHELVING SUPPLIER TO OBTAIN 1" HIGH PAPER TICKET SAMPLE FROM LCBO PRIOR TO FABRICATION TO ENSURE PROPER FIT WITHIN TICKET MOULDING. SUBMIT SAMPLE FOR APPROVAL
- GC TO ENSURE ALL SHELVES ARE IN EXACT ALIGNMENT AND ARE TRUE & LEVEL. PERFORATED SHELVES ARE ACCEPTABLE. SHELVES TO SUPPORT LOAD CAPACITY OF 500LBS
- ALL END POSTS TO BE MODIFIED AS REQUIRED TO ENSURE THAT THERE ARE NO GAPS BETWEEN METAL SHELVES AND END GABLES (FILLER STRIPS ARE NOT ACCEPTABLE)

LCBO	200 GENERAL LIST	REVISION DATE	REV.	1 of 1	ISSUE DATE	STORE TYPE	STORE #
	48" PERIM. MET. SHELVING UNIT w/ FASCIA, MET. TICKET MOULD. & METAL CROSS BRACING (7'-10" H.)	2021 MAR.	17	F252a	2021 APR		



NOTE:
MILLWORK CONTRACTOR TO ENSURE THAT WOOD SIGN BAND IS TRUE AND LEVEL

NOTE:
ALL 1" METAL TICKET HOLDERS TO RECEIVE 1 3/4" PLASTIC TICKET HOLDER INSERT (TO BE SUPPLIED & INSTALLED BY METAL SHELVING SUPPLIER) TO SPAN LENGTH OF SHELF SECTION

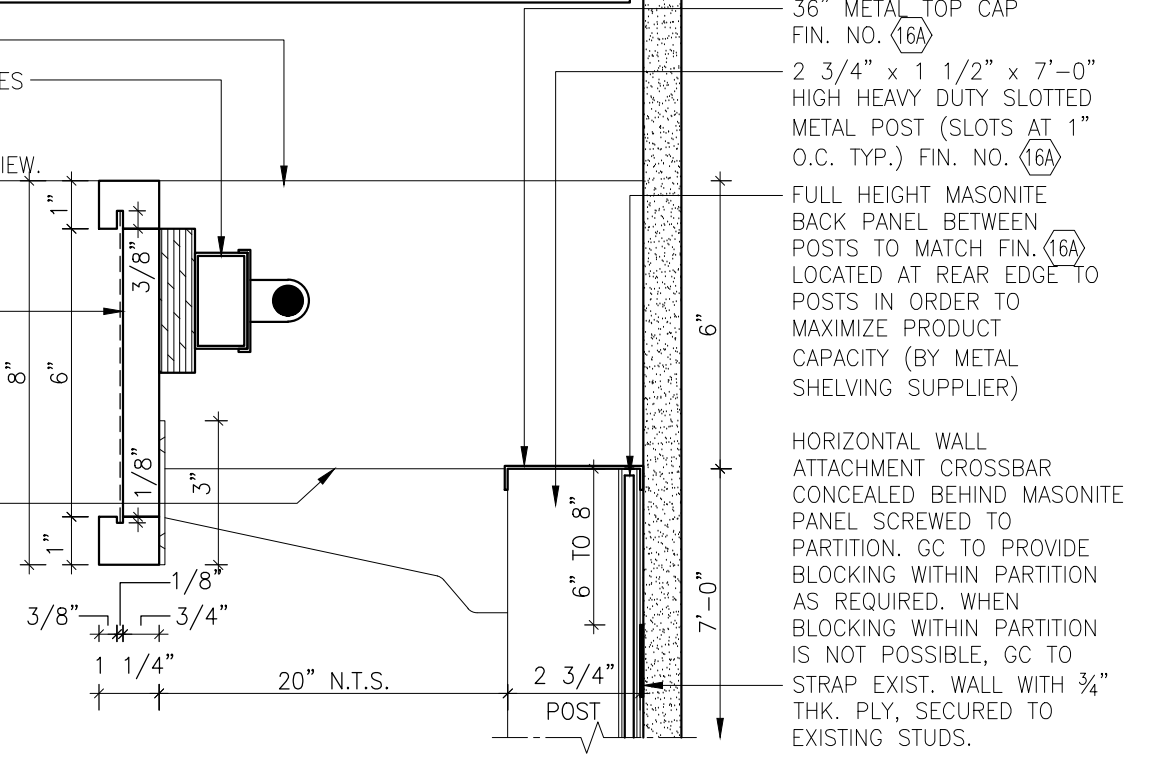
LINE OF F254 GABLE BEYOND

T5 FLUORESCENT LIGHT FIXTURES MOUNTED TO A 3/4" PLYWOOD STRIP. ALL POWER FEEDS CONCEALED FROM CUSTOMER VIEW.

P.LAM FASCIA SIGN PANEL FIN. NO. (05) SUPPLIED AND INSTALLED BY MILLWORK CONTRACTOR WITH AS FEW SEAMS AS POSSIBLE (i.e. MINIMUM 8'-0" LENGTHS EXCEPT AT END RUNS AS REQ'D.

20" METAL BRACKET W/ WELDED 3" X 3" METAL FLANGE BY SHELVING SUPPLIER ALL IN FIN. NO. (16A)

3 DETAIL
F253a 3" = 1'-0"

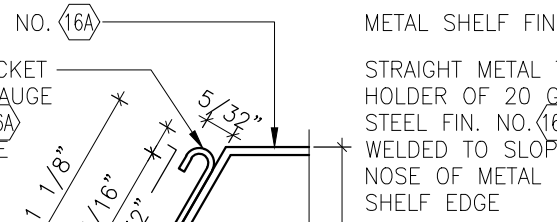


METAL SHELF FIN. NO. (16A)

ANGLED METAL TICKET HOLDER OF 20 GAUGE STEEL FIN. NO. (16A) WELDED TO SLOPE NOSE OF METAL SHELF EDGE

METAL SHELVING SUPPLIER TO SUPPLY & INSTALL PLASTIC TICKET HOLDER

4 ANGLED METAL TICKET HOLDER DETAIL
F253a FULL SCALE

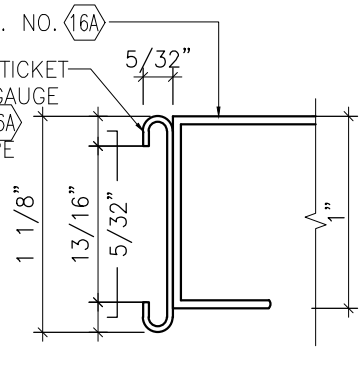


METAL SHELF FIN. NO. (16A)

STRAIGHT METAL TICKET HOLDER OF 20 GAUGE STEEL FIN. NO. (16A) WELDED TO SLOPE NOSE OF METAL SHELF EDGE

NOTE: NO VISIBLE HOLES IN FRONT OF TICKET HOLDER

5 STRAIGHT METAL TICKET HOLDER DETAIL
F253a FULL SCALE



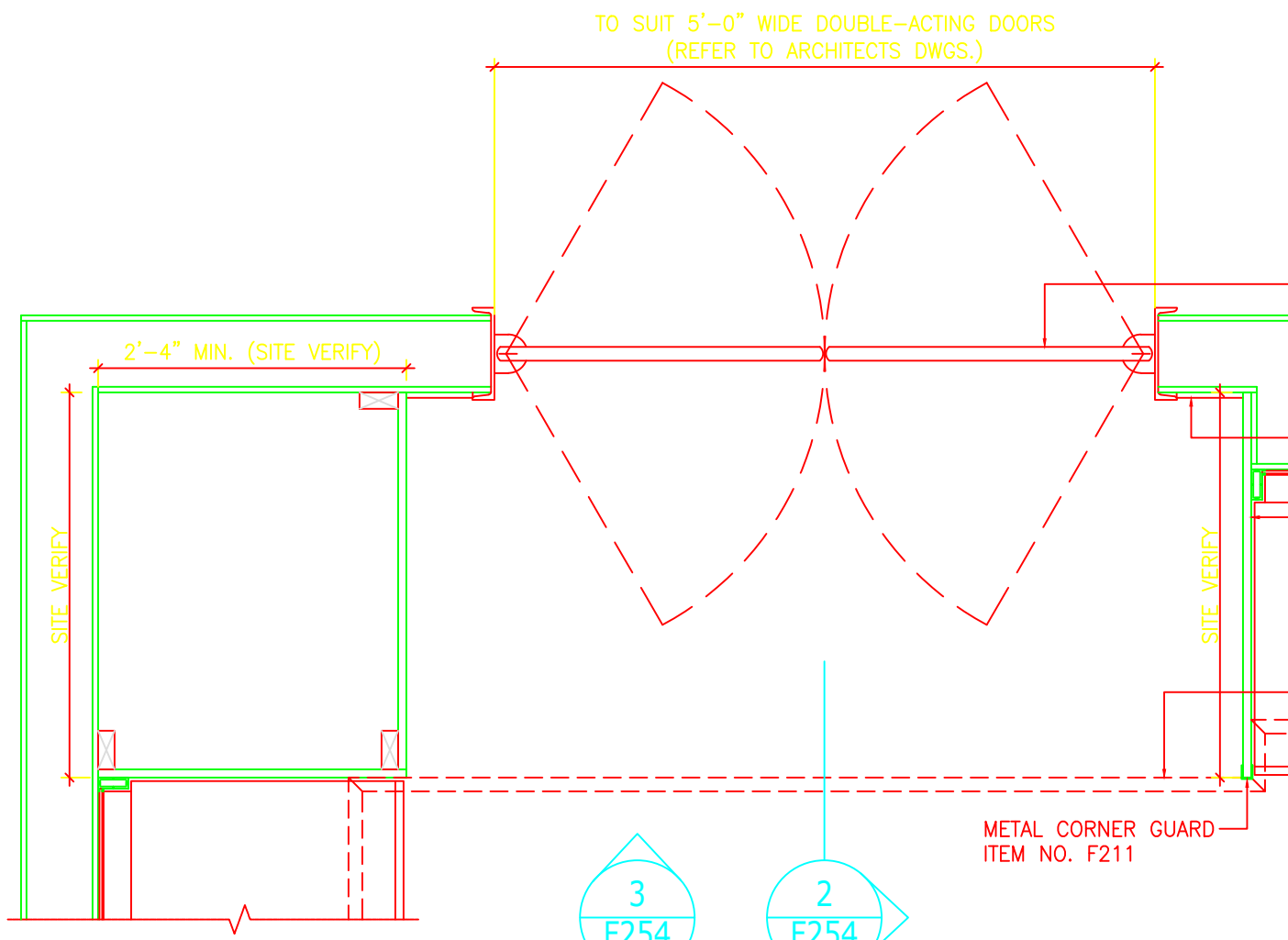
GENERAL NOTES

- DIMENSIONS SHOWN REFLECT SHELF & BASE DIMENSIONS ONLY & DO NOT TAKE METAL TICKET HOLDERS INTO ACCOUNT
- ALL ADJUSTMENTS TO COMPENSATE FOR NON-LEVEL FLOOR SURFACES TO BE MADE AT BOTTOM END OF POST
- GC TO CO-ORDINATE MILLWORK + METAL SHELF INSTALLATION
- T5 FLUORESCENT LIGHT FIXTURES TO BE SUPPLIED & INSTALLED BY G.C.
- GC RESPONSIBLE FOR INSTALLATION OF WALL STRAPPING AS REQ'D.
- MILLWORK CONTRACTOR TO OBTAIN SIGNAGE SAMPLE FROM LCBO PRIOR TO FABRICATION TO ENSURE PROPER FIT OF SIGNAGE INSERT
- SHELVING SUPPLIER TO OBTAIN 1" HIGH PAPER TICKET SAMPLE FROM LCBO PRIOR TO FABRICATION TO ENSURE PROPER FIT WITHIN TICKET MOULDING. SUBMIT SAMPLE FOR APPROVAL
- GC TO ENSURE ALL SHELVES ARE IN EXACT ALIGNMENT AND ARE TRUE & LEVEL. PERFORATED SHELVES ARE ACCEPTABLE. SHELVES TO SUPPORT LOAD CAPACITY OF 500LBS
- ALL END POSTS TO BE MODIFIED AS REQUIRED TO ENSURE THAT THERE ARE NO GAPS BETWEEN METAL SHELVES AND END GABLES (FILLER STRIPS ARE NOT ACCEPTABLE)

GENERAL NOTES

- ALL DIMENSIONS INDICATED FROM FINISH FLOOR ARE TAKEN FROM THE HIGHEST FINISHED FLOOR ELEVATION OF THAT FLOOR SYSTEM
- ALL ADJUSTMENTS TO COMPENSATE FOR NON-LEVEL FLOOR SURFACES TO BE MADE AT BOTTOM END OF POST
- G.C. TO CO-ORDINATE MILLWORK + METAL SHELF INSTALLATION
- SHELVING SUPPLIER RESPONSIBLE FOR INSTALLATION OF WALL STRAPPING AS REQUIRED
- MILLWORK CONTRACTOR TO OBTAIN SIGNAGE SAMPLE FROM LCBO PRIOR TO FABRICATION TO ENSURE PROPER FIT OF SIGNAGE INSERT
- SHELVES TO SUPPORT LOAD CAPACITY OF 500LBS
- ALL END POSTS TO BE MODIFIED AS REQUIRED TO ENSURE THAT THERE ARE NO GAPS BETWEEN METAL SHELVES AND END GABLES (FILLER STRIPS ARE NOT ACCEPTABLE)

LCBO	200 GENERAL LIST	REVISION DATE	REV.	1 of 1	ISSUE DATE	STORE TYPE	STORE #
	36" PERIM. MET. SHELVING UNIT w/ FASCIA, MET. TICKET MOULD. & METAL CROSS BRACING (7'-10" H.)	2021 MAR.	17	F253a	2021 APR		



1 PLAN
F254 3/4" = 1'-0"

DOUBLE-ACTING DOORS, REFER TO LCBO SRRS SPECIFICATIONS. METAL DOOR FRAME TO BE PAINTED IN EPOXY PAINT FINISH TO MATCH FIN. NO. (20A) BY GC

4" HIGH TILE BASE BELOW, REFER TO ARCHITECTURAL DWGS.

TYPICAL F254 3/4" PLY CORE END GABLE SECURED TO METAL SHELVING UNITS FINISH NO. (05) TO ALL SIDES, ALL CONNECTIONS TO BE CONCEALED

DOTTED LINES OF P. LAM. FASCIA SIGN PANEL FIN. NO. (05) SUPPLIED AND INSTALLED BY MILLWORK CONTRACTOR. FASCIA TO WRAP AROUND END GABLES, MITRE ALL CORNERS

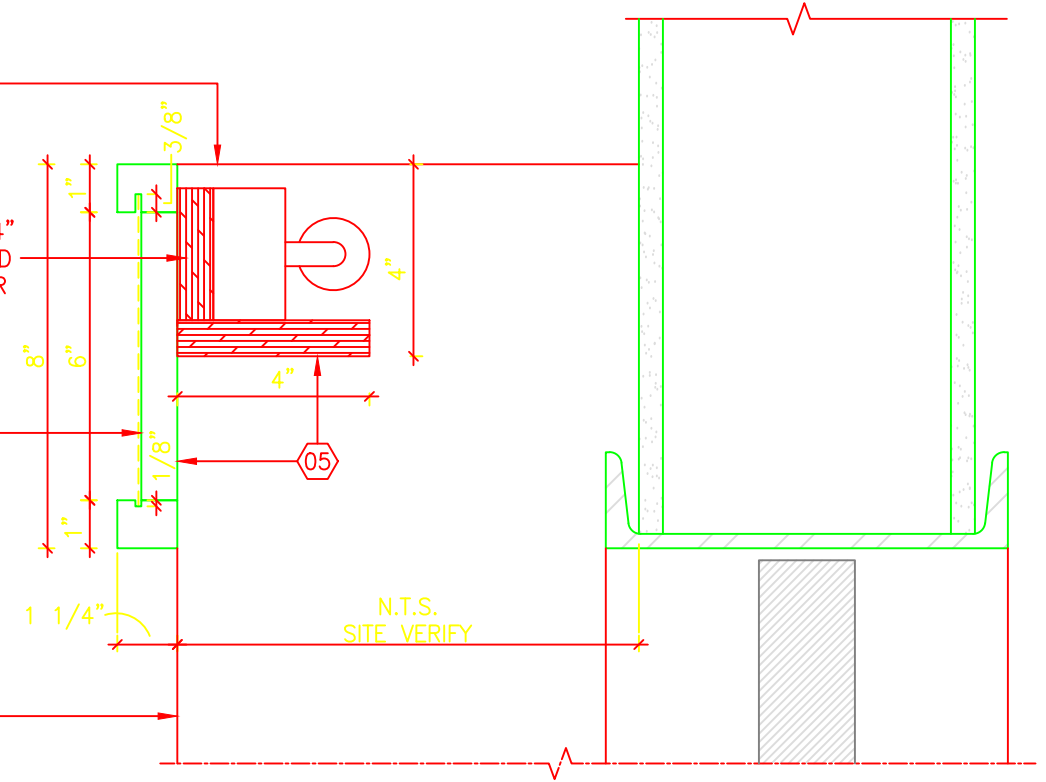
LINE OF MILLWORK GABLE BEYOND ITEM F254 P. LAM. FIN. NO. (05)

T5 FLUORESCENT LIGHT FIXTURES MOUNTED TO A 3/4" PLYWOOD STRIP & CONNECTED TO END, CONCEAL ALL POWER FEEDS FROM CUSTOMER VIEW

P.LAM FASCIA SIGN PANEL FIN. NO. (05) SUPPLIED AND INSTALLED BY MILLWORK CONTRACTOR

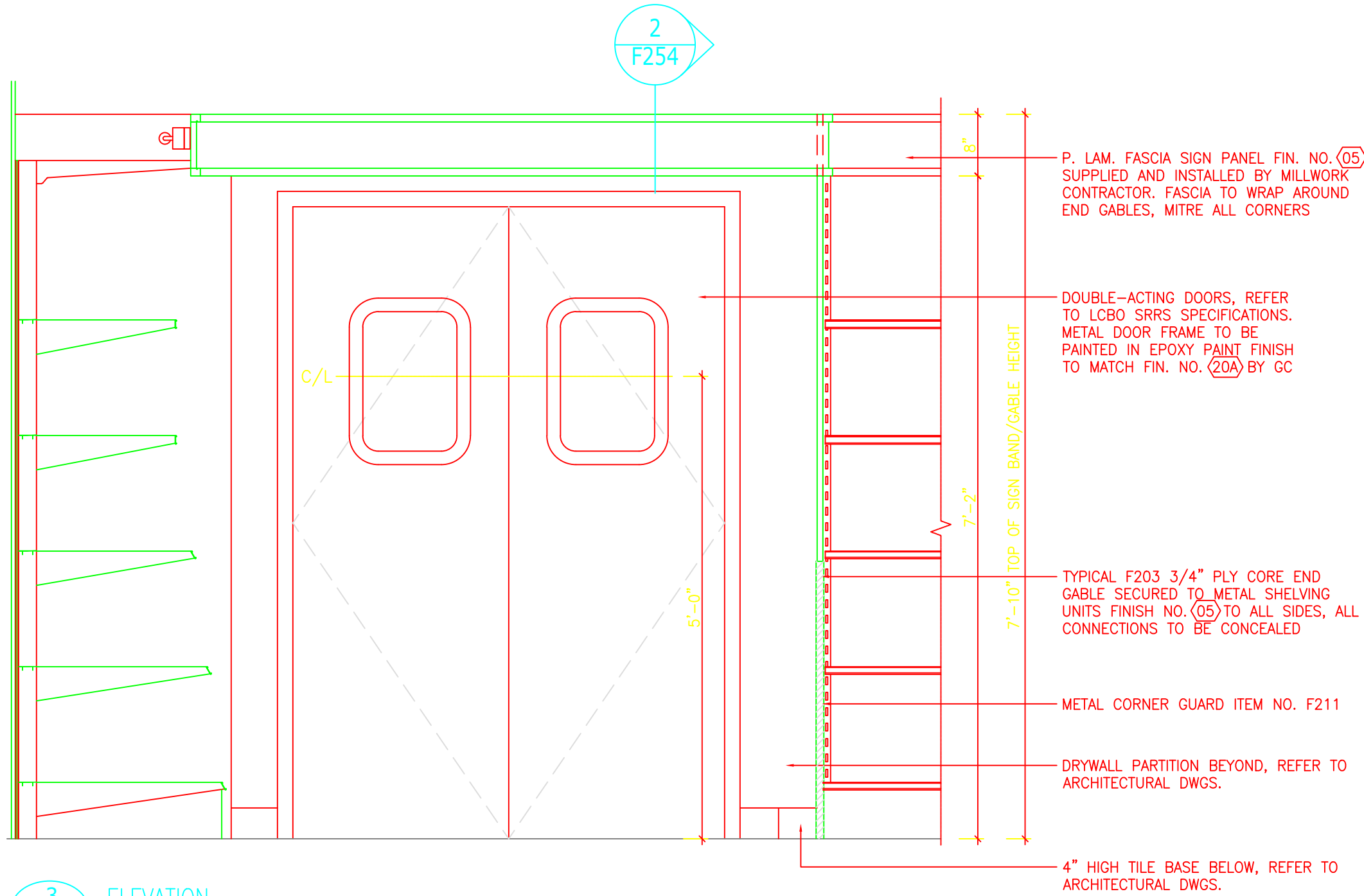
MILLWORK CONTRACTOR TO ENSURE THAT WOOD SIGN BAND IS TRUE AND LEVEL.

LINE OF MILLWORK GABLE BEYOND ITEM F203T P. LAM. FIN. NO. (05)



2 DETAIL
F254 3" = 1'-0"

LCBO	200 GENERAL LIST	REVISION DATE	REV.	1 of 2	ISSUE DATE	STORE TYPE	STORE #
	PERIMETER SHELVING GABLE/FILLER PANEL (7'-10" H.)	2021 MAR	17	F254	2021 APR		



P. LAM. FASCIA SIGN PANEL FIN. NO. (05)
 SUPPLIED AND INSTALLED BY MILLWORK
 CONTRACTOR. FASCIA TO WRAP AROUND
 END GABLES, MITRE ALL CORNERS

DOUBLE-ACTING DOORS, REFER
 TO LCBO SRRS SPECIFICATIONS.
 METAL DOOR FRAME TO BE
 PAINTED IN EPOXY PAINT FINISH
 TO MATCH FIN. NO. (20A) BY GC

TYPICAL F203 3/4" PLY CORE END
 GABLE SECURED TO METAL SHELVING
 UNITS FINISH NO. (05) TO ALL SIDES, ALL
 CONNECTIONS TO BE CONCEALED

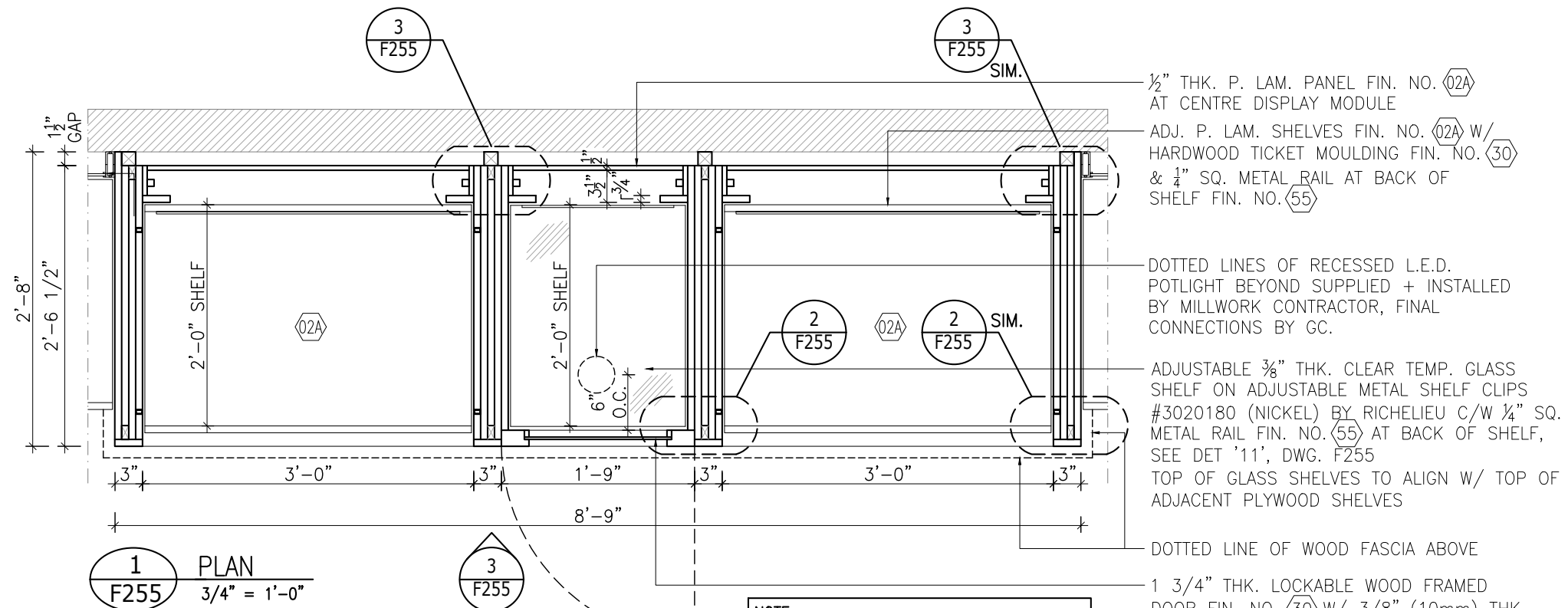
METAL CORNER GUARD ITEM NO. F211

DRYWALL PARTITION BEYOND, REFER TO
 ARCHITECTURAL DWGS.

4" HIGH TILE BASE BELOW, REFER TO
 ARCHITECTURAL DWGS.

3 ELEVATION
 F254 3/4" = 1'-0"

LCBO	200 GENERAL LIST	REVISION DATE	REV.	2 of 2	ISSUE DATE	STORE TYPE	STORE #
	PERIMETER SHELVING GABLE/FILLER PANEL (7'-10" H.)	2021 MAR	17	F254	2021 APR		



NOTE:
SOLID WOOD GRADE TO BE FAS

NOTE:
LOCKS FOR F204, F205, F255, F256, F268, F269, F270, F276, F277, F278, F305, F307, F331, F333, F358, F359, F360, F361, F407, F415 AND F416 TO BE KEYPED ALIKE

GENERAL NOTES:
ALL VERTICAL SURFACES ON THE INTERIOR OF THE 'WHISKY' MILLWORK DETAILS (GABLES, BACK PANELS, AND DIVIDERS) ARE TO BE CONSTRUCTED OF PREFINISHED PARTICLE BOARD PANELS W/ MELAMINE FIN. NO. (02A) BOTH SIDES. MILLWORK CONTRACTOR TO PROVIDE HARDWOOD EDGE IN FIN. NO. (30) TO ALL EXPOSED EDGES.

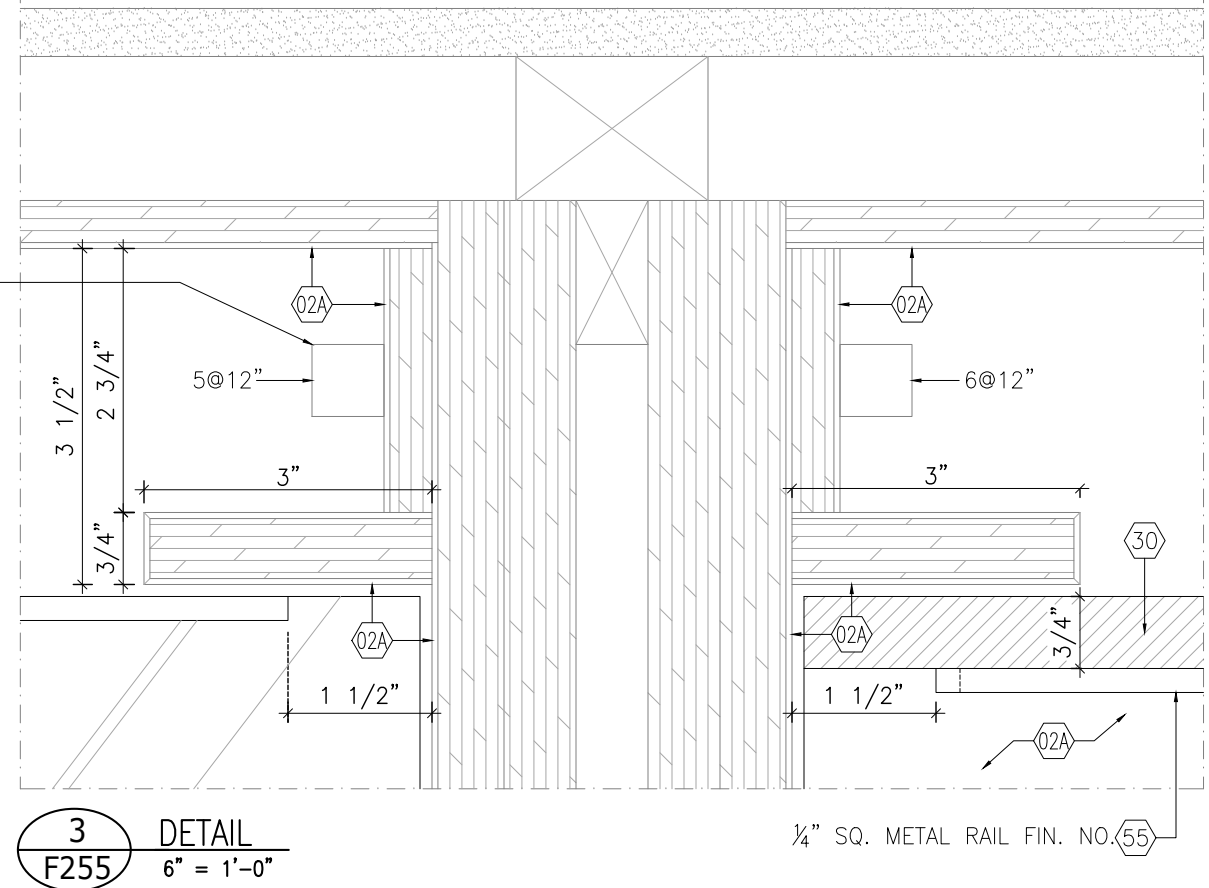
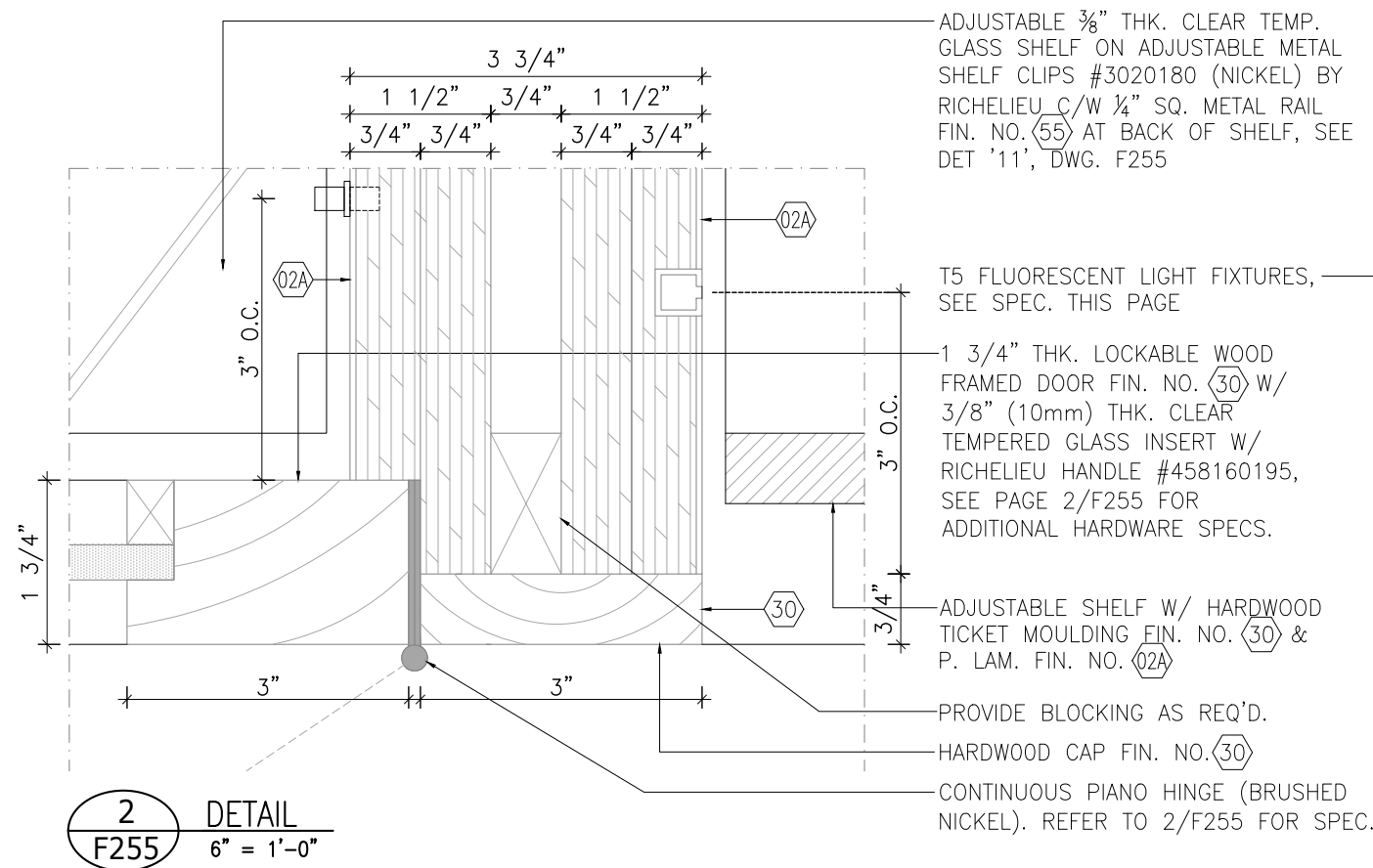
NOTE:
MILLWORK CONTRACTOR TO PROVIDE (1) COAT OF URETHANE SEALER AND (2) TOP COATS OF SATIN LACQUER TO FIN. NO. (30)
MILLWORK CONTRACTOR TO ENSURE THAT ALL SHELVES ARE IN EXACT ALIGNMENT WITH ADJACENT PERIMETER SHELVING.

T5 FLUORESCENT LIGHT FIXTURES:
PROVIDE 10 @ 12" LENGTH AND 24 @ 12" LENGTH AS INDICATED WITHIN MILLWORK.

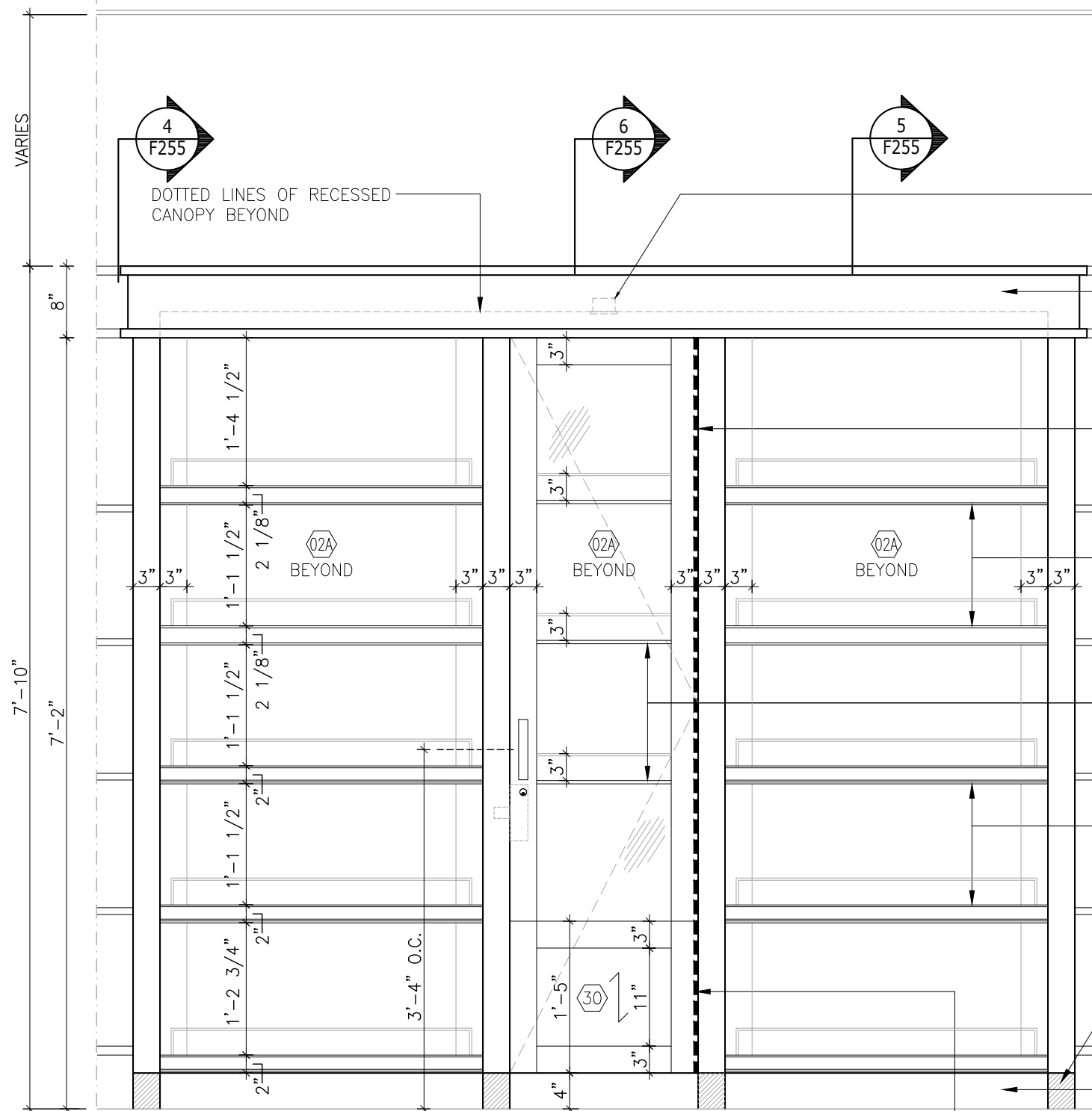
T5 FLUORESCENT LIGHT FIXTURES BY RICHELIEU:
MODEL#: 79992314
LENGTH=12"
OUTPUT=14 WATTS
COLOUR TEMP. 3000°K
DURATION: 20,000 HRS

RECESSED MINI L.E.D. POTLIGHT BY: JUNO LIGHTING GROUP
MINI LED GIMBAL - 3000°K
#MG1LG2-3K-NFL-SN (SATIN NICKEL)

*ALL L.E.D. LIGHTING AND ASSOCIATED COMPONENTS TO BE SUPPLIED & INSTALLED BY MILLWORK CONTRACTOR, FINAL CONNECTION BY G.C.'S ELECTRICAL SUBTRADE. ENSURE ALL WIRING/DRIVERS ARE CONCEALED FROM CUSTOMER'S VIEW.



LCBO	200 GENERAL LIST	REVISION DATE	REV.	1 of 4	ISSUE DATE	STORE TYPE	STORE #
	WHISKY WALL FIXTURE	2021 MAR	17	F255	2021 APR		



NOTE:
 LOCKS FOR F204, F205, F255, F256,
 F268, F269, F270, F276, F277, F278,
 F305, F307, F331, F333, F358, F359,
 F360, F361, F407, F415 AND F416
 TO BE KEYED ALIKE

P. LAM. FASCIA PANEL FIN. NO. (05)
 DOTTED LINES OF RECESSED L.E.D.
 POTLIGHT BEYOND SUPPLIED + INSTALLED
 BY MILLWORK CONTRACTOR, FINAL
 CONNECTIONS BY GC.

3/4" THK. PARTICLE BOARD SIGN BAND
 FIN. NO. (08) W/ HARDWOOD EDGES FIN.
 NO. (30) & CONCEALED FLUORESCENT
 LIGHTING, SEE DETAIL '12' DWG. F255

1 3/4" THK. LOCKABLE WOOD FRAMED
 DOOR FIN. NO. (30) W/ 3/8" (10mm) THK.
 CLEAR TEMPERED GLASS INSERT W/
 RICHELIEU HANDLE #458160195, SEE THIS
 PAGE FOR ADDITIONAL HARDWARE SPECS.

ADJ. P. LAM. SHELVES FIN. NO. (02A) W/
 STRAIGHT HARDWOOD TICKET MOULDING
 FIN. NO. (30) & 1/4" SQ. METAL RAIL AT
 BACK OF SHELF FIN. NO. (55)

ADJUSTABLE 3/8" THK. CLEAR TEMP. GLASS
 SHELF ON ADJUSTABLE METAL SHELF CLIPS
 #3020180 (NICKEL) BY RICHELIEU C/W 1/4" SQ.
 METAL RAIL FIN. NO. (55) AT BACK OF SHELF,
 SEE DET '11', DWG. F255. TOP OF GLASS
 SHELVES TO ALIGN W/ TOP OF ADJACENT
 PLYWOOD SHELVES

ADJ. P. LAM. SHELVES FIN. NO. (02A) W/
 ANGLED HARDWOOD TICKET MOULDING
 FIN. NO. (30) & 1/4" SQ. METAL RAIL AT
 BACK OF SHELF FIN. NO. (55)

TYP. PERIMETER METAL SHELVING
 UNIT, ITEM NO. F252 & F253

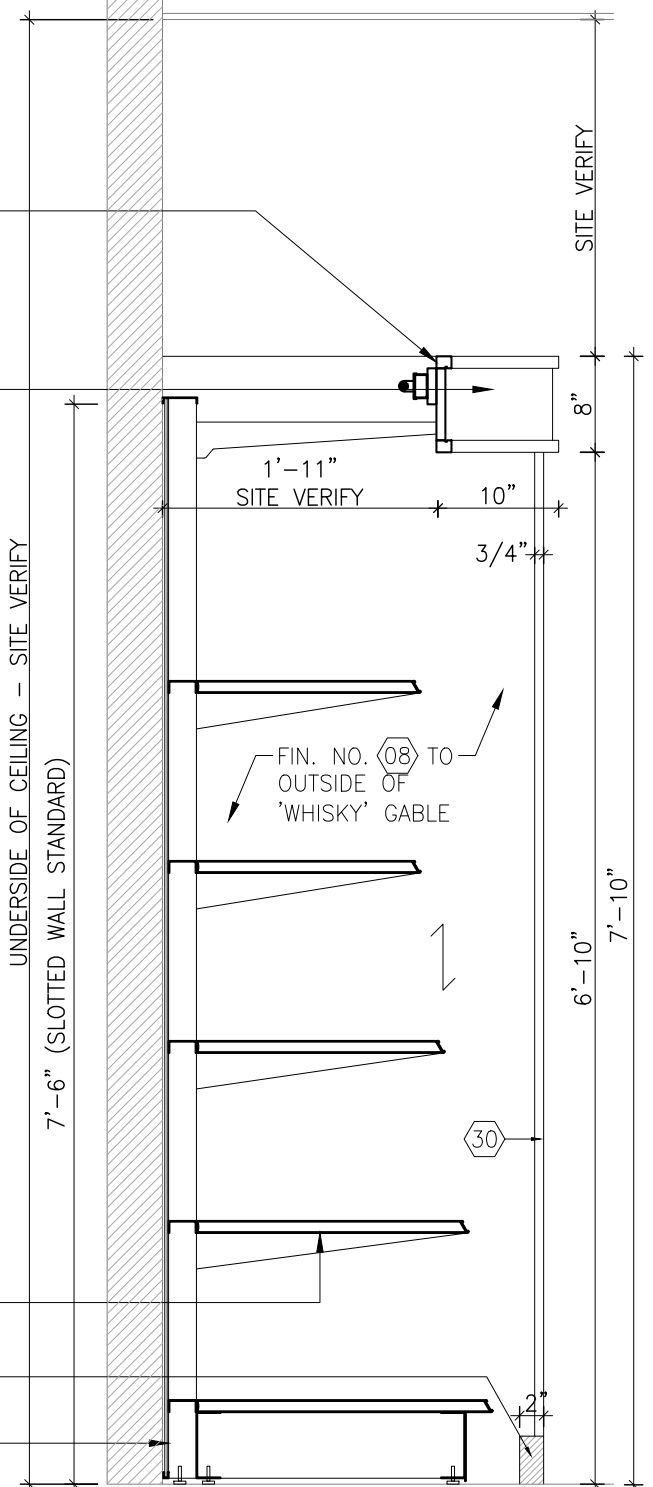
4" HIGH METAL CORNER GUARD FIN. NO. (55)

RECESSED BASE P. LAM. FIN. NO. (04)

2 3/4" X 1 1/2" X 7'-6" H.
 HEAVY DUTY SLOTTED METAL BY
 VIC SHELVING OR EQUAL

DOTTED LINE OF CONTINUOUS PIANO
 HINGE (BRUSHED NICKEL). SEE THIS
 PAGE FOR SPEC.

NOTE:
 ALL WOOD TICKET MOULDINGS TO
 ACCOMMODATE 1 3/4" PAPER TICKET



4 SECTIONAL-ELEVATION
 F255 3/4" = 1'-0"

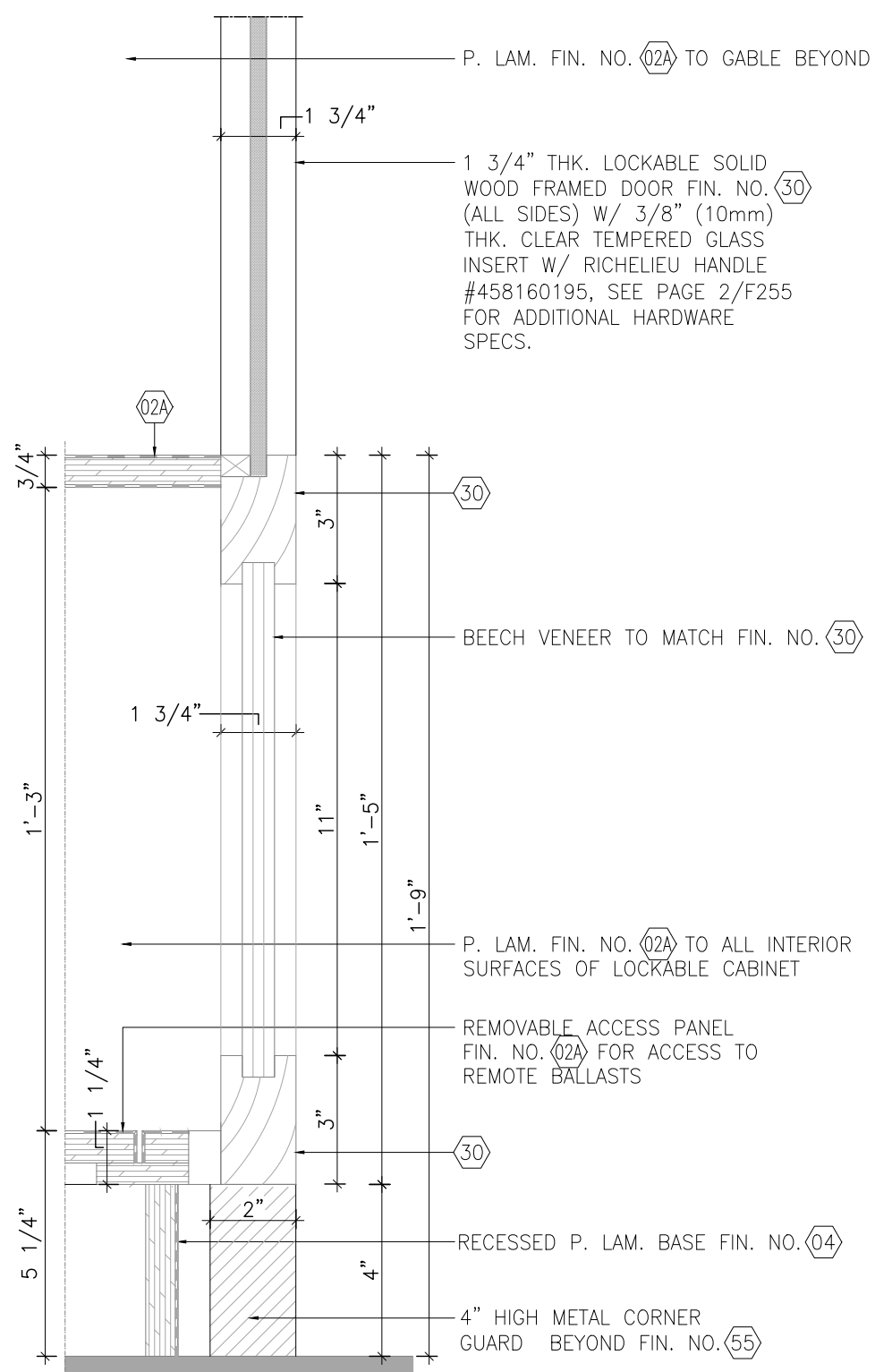
3 ELEVATION
 F255 3/4" = 1'-0"

HARDWARE SPECIFICATIONS:
 ADAM RITE DEADLOCK #ARMS1850S410628
 MORTISE CYLINDER #LSM1002SCC26D
 1" C/W (2) KEYS CLEAR ANODIZED ALUMINUM FINISH
 STRIKE FOR HOOK BOLT #ARMS4001031628
 SPACER RING #L861F2810 - 1/4" THK.
 CLEAR ANODIZED ALUMINUM
 NOTE: LOCK CYLINDER TO BE SUPPLIED & INSTALLED BY LCBO, FITUP BY G.C.
 3" .060 GA 8FT LONG CONTINUOUS
 PIANO HINGE BY RICHELIEU
 MODEL: #76096180 (BRUSHED NICKEL FINISH)
 DOOR PULL BY RICHELIEU
 MODEL: #458160195 (BRUSHED NICKEL FINISH)

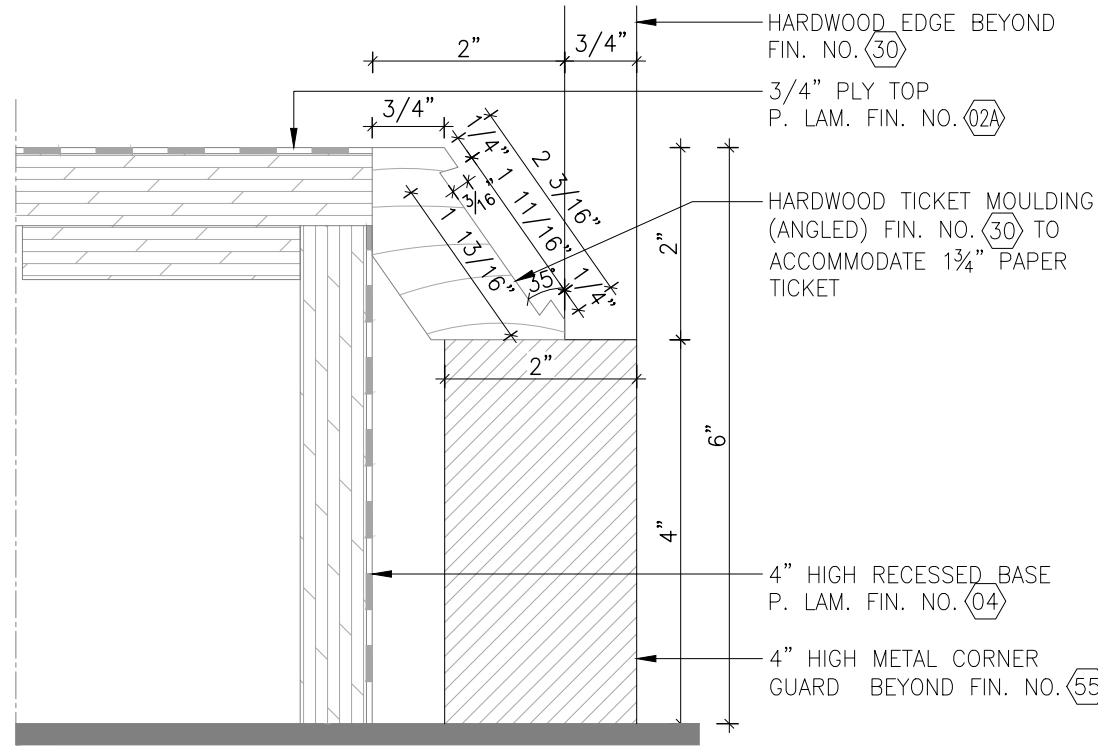
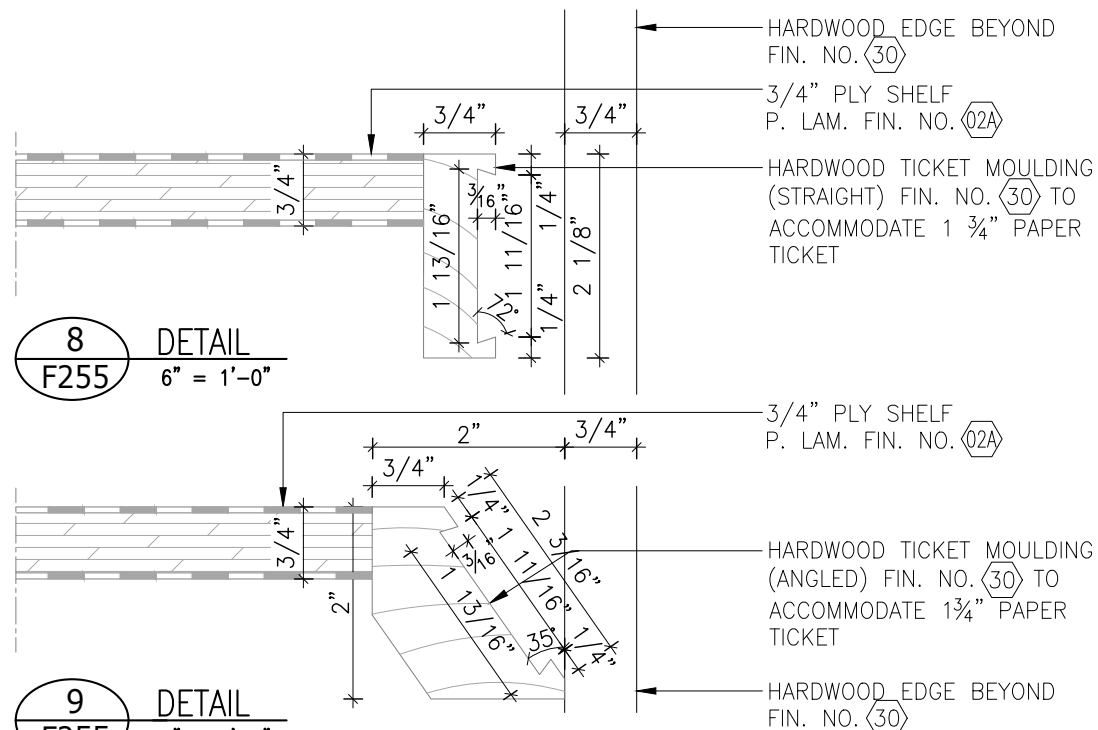
NOTE:
 MILLWORK CONTRACTOR TO ENSURE THAT
 FIXTURE IS CONSTRUCTED SO THAT LIGHT
 FIXTURES CAN BE SERVICED AND/OR
 REMOVED WITHOUT DISMANTLING MILLWORK

NOTE:
 SOLID WOOD GRADE
 TO BE FAS

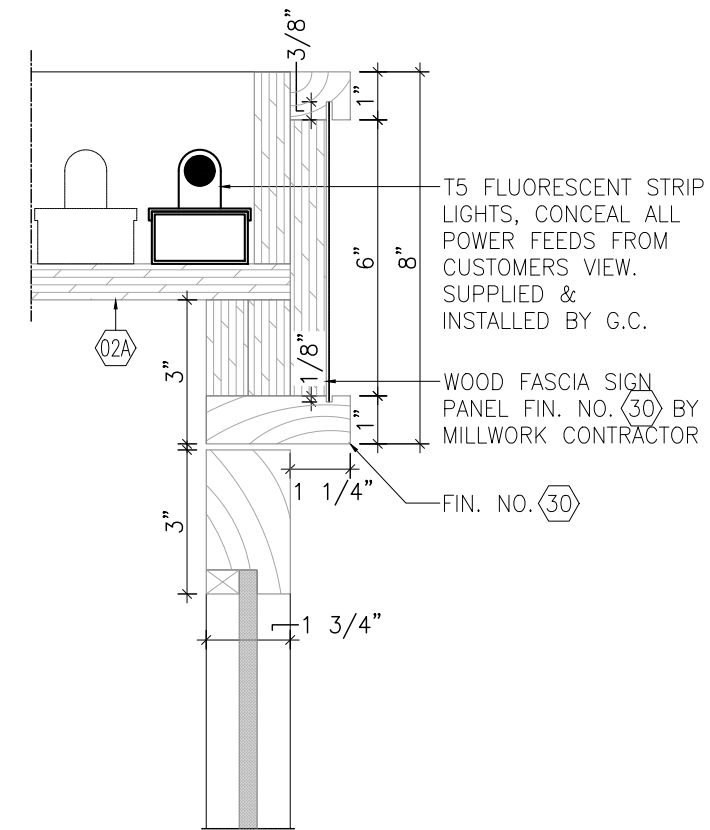
LCBO	200 GENERAL LIST	REVISION DATE	REV.	2 of 4	ISSUE DATE	STORE TYPE	STORE #
	WHISKY WALL FIXTURE	2021 MAR	17	F255	2021 APR		



7 DETAIL
F255 3" = 1'-0"



NOTE:
SOLID WOOD GRADE TO BE FAS

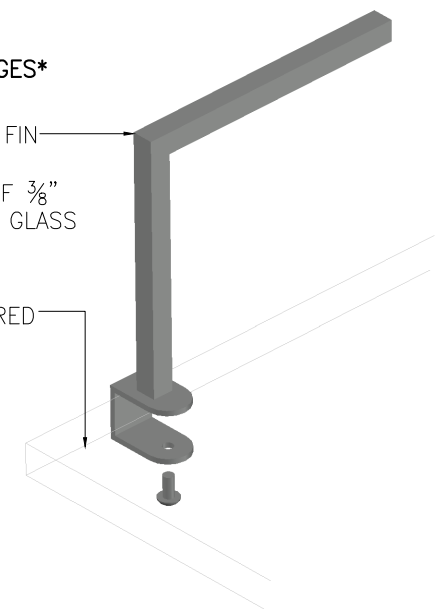


12 DETAIL
F255 3" = 1'-0"

ENSURE NO SHARP EDGES

1/4" SQUARE METAL RAIL FIN NO 55 WITH METAL CLIP
DETAIL AT REAR EDGE OF 3/8" THICK CLEAR TEMPERED GLASS SHELF

3/8" THICK CLEAR TEMPERED GLASS SHELF

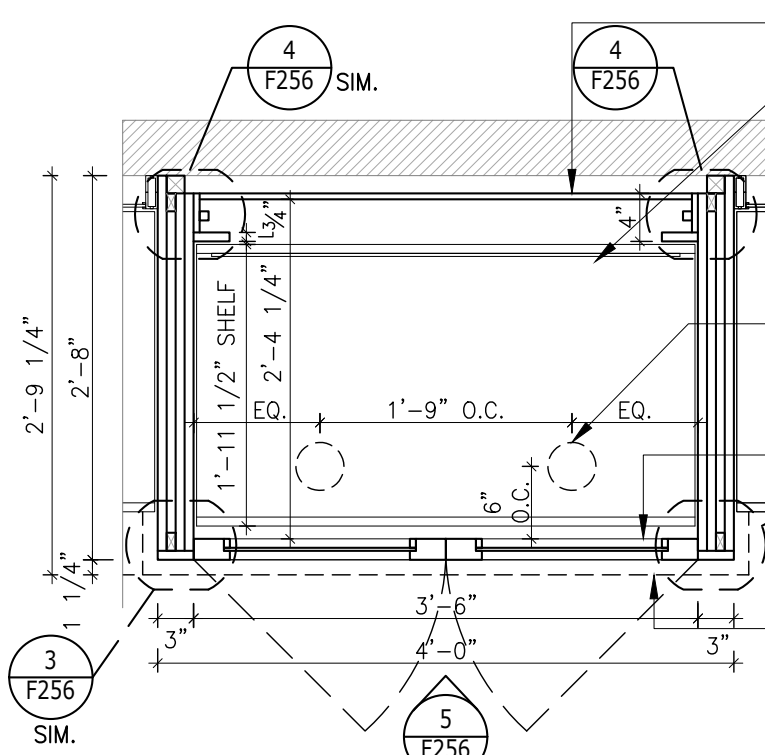


11 ISOMETRIC DETAIL
F204 N.T.S.

LCBO

200 GENERAL LIST
WHISKY WALL FIXTURE

REVISION DATE	REV.	4 of 4	ISSUE DATE	STORE TYPE	STORE #
2021 MAR	17	F255	2021 APR		

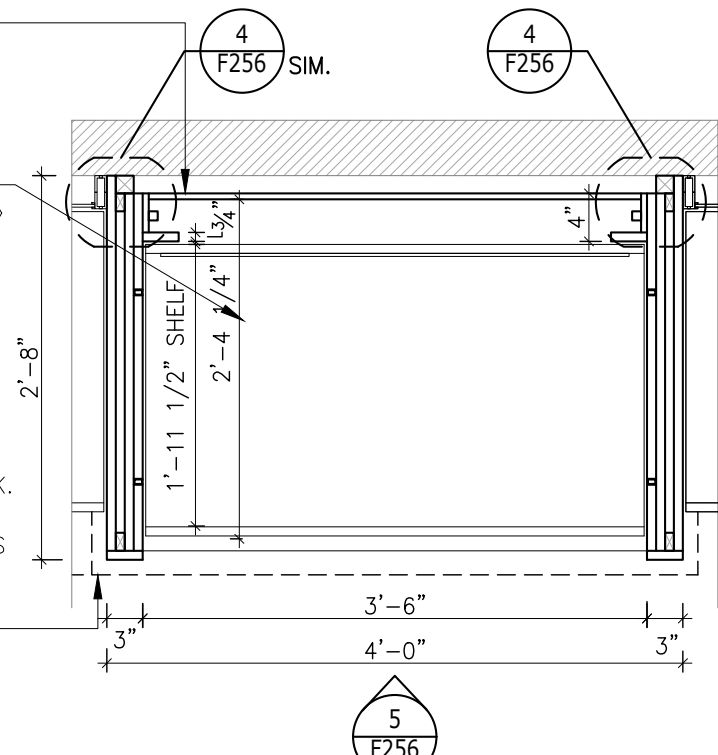


1 PLAN-SECTION
F256 3/4" = 1'-0"

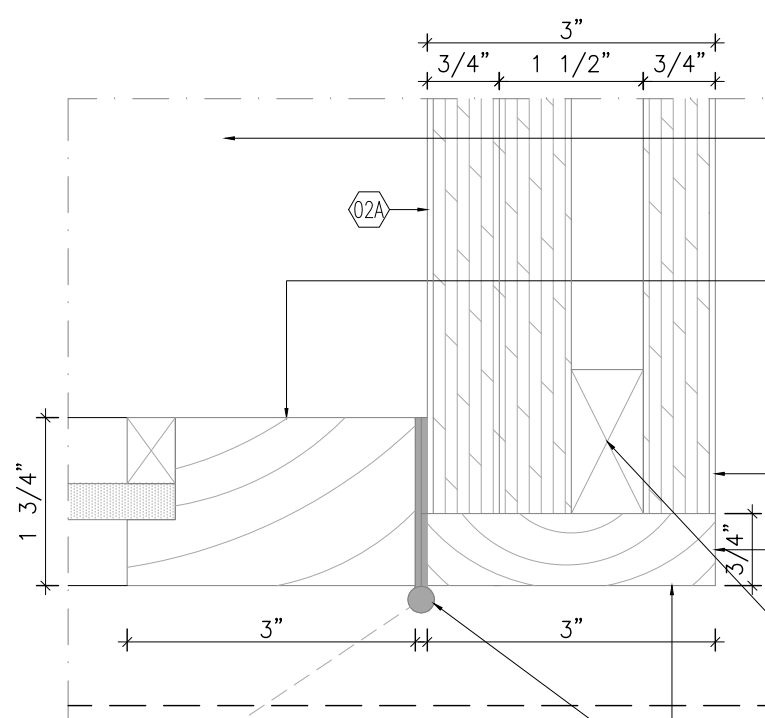
1/2" THK. P. LAM. PANEL FIN. NO. 02A
 FIXED P. LAM. SHELF FIN. NO. 02A W/ STRAIGHT HARDWOOD TICKET MOULDING FIN. NO. 30
 ADJ. P. LAM. SHELVES FIN. NO. 02A W/ HARDWOOD TICKET MOULDING FIN. NO. 30 & 1/4" SQ. METAL RAIL AT BACK OF SHELF FIN. NO. 55
 DOTTED LINES OF RECESSED L.E.D. POTLIGHT BEYOND SUPPLIED + INSTALLED BY MILLWORK CONTRACTOR, FINAL CONNECTIONS BY GC.
 1 3/4" THK. LOCKABLE WOOD FRAMED DOOR FIN. NO. 30 W/ 3/8" (10mm) THK. CLEAR TEMPERED GLASS INSERT W/ RICHELIEU HANDLE #458160195, SEE THIS PAGE FOR ADDITIONAL HARDWARE SPECS.
 DOTTED LINE OF WOOD FASCIA ABOVE

NOTE:
SOLID WOOD GRADE TO BE FAS

NOTE:
LOCKS FOR F204, F205, F255, F256, F268, F269, F270, F276, F277, F278, F305, F307, F331, F333, F358, F359, F360, F361, F407, F415 AND F416 TO BE KEYPED ALIKE

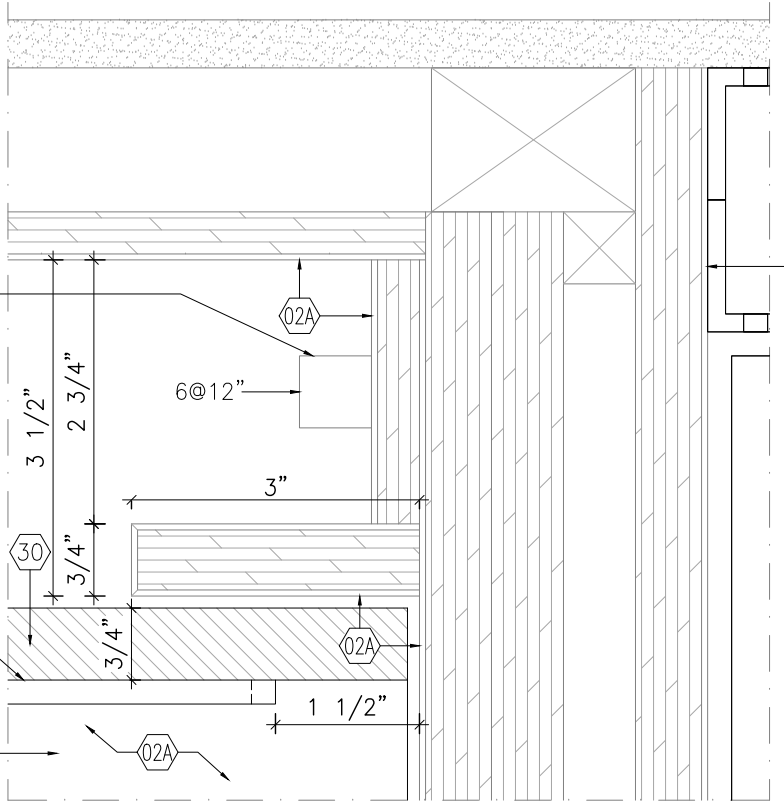


2 PLAN-SECTION
F256 3/4" = 1'-0"



3 DETAIL
F256 6" = 1'-0"

FIXED SHELF W/ STRAIGHT HARDWOOD TICKET MOULDING FIN. NO. 30 & P. LAM. FIN. NO. 02A
 T5 FLUORESCENT LIGHT FIXTURES, SEE SPEC. THIS PAGE
 1 3/4" THK. LOCKABLE WOOD FRAMED DOOR FIN. NO. 30 W/ 3/8" (10mm) THK. CLEAR TEMPERED GLASS INSERT W/ RICHELIEU HANDLE #458160195, SEE THIS PAGE FOR ADDITIONAL HARDWARE SPECS.
 DOTTED LINES OF FASCIA SIGN BAND ABOVE FIN. NO. 08
 1/4" SQ. METAL RAIL FIN. NO. 55
 ADJUSTABLE SHELF W/ HARDWOOD TICKET MOULDING FIN. NO. 30 & P. LAM. FIN. NO. 02A
 PROVIDE BLOCKING AS REQ'D.
 HARDWOOD CAP FIN. NO. 30
 CONTINUOUS PIANO HINGE (BRUSHED NICKEL). SEE SPEC. THIS PAGE



4 DETAIL
F256 6" = 1'-0"

GENERAL NOTES:
ALL VERTICAL SURFACES ON THE INTERIOR OF THE 'WHISKY' MILLWORK DETAILS (GABLES, BACK PANELS, AND DIVIDERS) ARE TO BE CONSTRUCTED OF PREFINISHED PARTICLE BOARD PANELS W/ MELAMINE FIN. NO. 02A BOTH SIDES. MILLWORK CONTRACTOR TO PROVIDE HARDWOOD EDGE IN FIN. NO. 30 TO ALL EXPOSED EDGES.

NOTE:
MILLWORK CONTRACTOR TO PROVIDE (1) COAT OF URETHANE SEALER AND (2) TOP COATS OF SATIN LACQUER TO FIN. NO. 30
 MILLWORK CONTRACTOR TO ENSURE THAT ALL SHELVES ARE IN EXACT ALIGNMENT WITH ADJACENT PERIMETER SHELVING.

T5 FLUORESCENT LIGHT FIXTURES:
PROVIDE 12 @ 12" LENGTH AS SHOWN WITHIN MILLWORK.

T5 FLUORESCENT LIGHT FIXTURES BY RICHELIEU:
 MODEL#: 79992314
 LENGTH=12"
 OUTPUT=14 WATTS
 COLOUR TEMP. 3000°K
 DURATION: 20,000 HRS

RECESSED MINI L.E.D. POTLIGHT BY: JUNO LIGHTING GROUP
 MINI LED GIMBAL - 3000°K
 #MG1LG2-3K-NFL-SN (SATIN NICKEL)

*ALL L.E.D. LIGHTING AND ASSOCIATED COMPONENTS TO BE SUPPLIED & INSTALLED BY MILLWORK CONTRACTOR, FINAL CONNECTION BY G.C.'S ELECTRICAL SUBTRADE. ENSURE ALL WIRING/DRIVERS ARE CONCEALED FROM CUSTOMER'S VIEW.

HARDWARE SPECIFICATIONS:

ADAM RITE DEADLOCK #ARMS1850S410628
 MORTISE CYLINDER #LSM1002SCC26D
 1" C/W (2) KEYS CLEAR ANODIZED ALUMINUM FINISH
 STRIKE FOR HOOK BOLT #ARMS4001031628
 SPACER RING #IL861F2810 - 1/4" THK.
 CLEAR ANODIZED ALUMINUM
NOTE: LOCK CYLINDER TO BE SUPPLIED & INSTALLED BY LCBO, FITUP BY G.C.
 3" .060 GA 8FT LONG CONTINUOUS PIANO HINGE BY RICHELIEU
 MODEL: #76096180 (BRUSHED NICKEL FINISH)
 DOOR PULL BY RICHELIEU
 MODEL: #458160195 (BRUSHED NICKEL FINISH)

LCBO	200 GENERAL LIST	REVISION DATE	REV.	1 of 3	ISSUE DATE	STORE TYPE	STORE #
	4'-0" WHISKY WALL FIXTURE	2021 MAR	17	F256	2021 APR		

NOTE:
SOLID WOOD GRADE TO BE FAS

NOTE:
LOCKS FOR F204, F205, F255, F256, F268, F269, F270, F276, F277, F278, F305, F307, F331, F333, F358, F359, F360, F361, F407, F415 AND F416 TO BE KEYED ALIKE

DOTTED LINES OF RECESSED CANOPY BEYOND
P. LAM. FASCIA PANEL FIN. NO. 05

DOTTED LINES OF RECESSED L.E.D. POTLIGHT BEYOND SUPPLIED + INSTALLED BY MILLWORK CONTRACTOR, FINAL CONNECTIONS BY GC.

3/4" THK. PARTICLE BOARD SIGN BAND FIN. NO. 08 W/ HARDWOOD EDGES FIN. NO. 30 & CONCEALED FLUORESCENT LIGHTING, SEE DETAIL '12' DWG. F256

1 3/4" THK. LOCKABLE WOOD FRAMED DOOR FIN. NO. 30 W/ 3/8" (10mm) THK. CLEAR TEMPERED GLASS INSERT W/ RICHELIEU HANDLE #458160195, SEE THIS PAGE FOR ADDITIONAL HARDWARE SPECS.

DOTTED LINE OF CONTINUOUS PIANO HINGE (BRUSHED NICKEL). SEE THIS PAGE FOR SPEC.

SUNK SLIDE ACTION FLUSH BOLT W/ SLIDE (TOP & BOTTOM) BY HAFELE #911.62.335 (OR APPROVED EQUAL)

ADJ. P. LAM. SHELF FIN. NO. 02A W/ STRAIGHT HARDWOOD TICKET MOULDING FIN. NO. 30 & 1/4" SQ. METAL RAIL AT BACK OF SHELF FIN. NO. 55

ADJ. P. LAM. SHELVES FIN. NO. 02A W/ ANGLED HARDWOOD TICKET MOULDING FIN. NO. 30 & 1/4" SQ. METAL RAIL AT BACK OF SHELF FIN. NO. 55

TYP. PERIMETER METAL SHELVING UNIT, ITEM NO. F252 & F253

4" HIGH METAL CORNER GUARD FIN. NO. 55

RECESSED BASE P. LAM. FIN. NO. 04

2 3/4" X 1 1/2" X 7'-6" H. HEAVY DUTY SLOTTED METAL BY VIC SHELVING OR EQUAL

NOTE:
MILLWORK CONTRACTOR TO ENSURE THAT FIXTURE IS CONSTRUCTED SO THAT LIGHT FIXTURES CAN BE SERVICED AND/OR REMOVED WITHOUT DISMANTLING MILLWORK

NOTE:
ALL WOOD TICKET MOULDINGS TO ACCOMMODATE 1 3/4" PAPER TICKET

GENERAL NOTES:

ALL VERTICAL SURFACES ON THE INTERIOR OF THE 'WHISKY' MILLWORK DETAILS (GABLES, BACK PANELS, AND DIVIDERS) ARE TO BE CONSTRUCTED OF PREFINISHED PARTICLE BOARD PANELS W/ MELAMINE FIN. NO. 02A BOTH SIDES. MILLWORK CONTRACTOR TO PROVIDE HARDWOOD EDGE IN FIN. NO. 30 TO ALL EXPOSED EDGES.

NOTE:

MILLWORK CONTRACTOR TO PROVIDE (1) COAT OF URETHANE SEALER AND (2) TOP COATS OF SATIN LACQUER TO FIN. NO. 30

MILLWORK CONTRACTOR TO ENSURE THAT ALL SHELVES ARE IN EXACT ALIGNMENT WITH ADJACENT PERIMETER SHELVING.

T5 FLUORESCENT LIGHT FIXTURES:

PROVIDE 12 @ 12" LENGTH AS SHOWN WITHIN MILLWORK.

T5 FLUORESCENT LIGHT FIXTURES BY RICHELIEU:

MODEL#: 79992314
LENGTH=12"
OUTPUT=14 WATTS
COLOUR TEMP. 3000°K
DURATION: 20,000 HRS

RECESSED MINI L.E.D. POTLIGHT BY: JUNO LIGHTING GROUP

MINI LED GIMBAL - 3000°K
#MG1LG2-3K-NFL-SN (SATIN NICKEL)

*ALL L.E.D. LIGHTING AND ASSOCIATED COMPONENTS TO BE SUPPLIED & INSTALLED BY MILLWORK CONTRACTOR, FINAL CONNECTION BY G.C.'S ELECTRICAL SUBTRADE. ENSURE ALL WIRING/DRIVERS ARE CONCEALED FROM CUSTOMER'S VIEW.

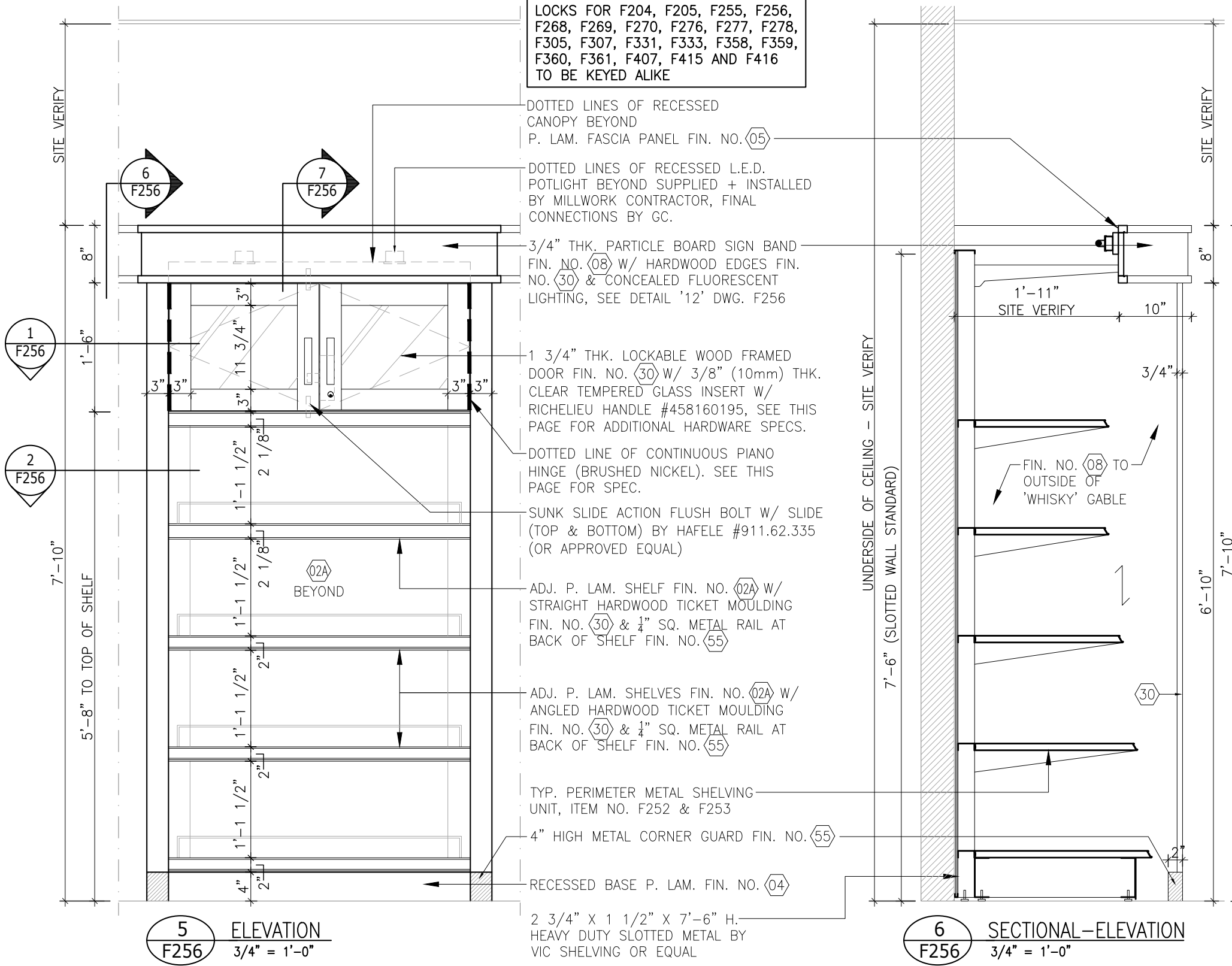
HARDWARE SPECIFICATIONS:

ADAM RITE DEADLOCK #ARMS1850S410628
MORTISE CYLINDER #LSM1002SCC26D
1" C/W (2) KEYS CLEAR ANODIZED ALUMINUM FINISH
STRIKE FOR HOOK BOLT #ARMS4001031628
SPACER RING #IL861F2810 - 1/4" THK.
CLEAR ANODIZED ALUMINUM

NOTE: LOCK CYLINDER TO BE SUPPLIED & INSTALLED BY LCBO, FITUP BY G.C.

3" .060 GA 16" LONG CONTINUOUS PIANO HINGE BY RICHELIEU
MODEL: #76096180 (BRUSHED NICKEL FINISH)

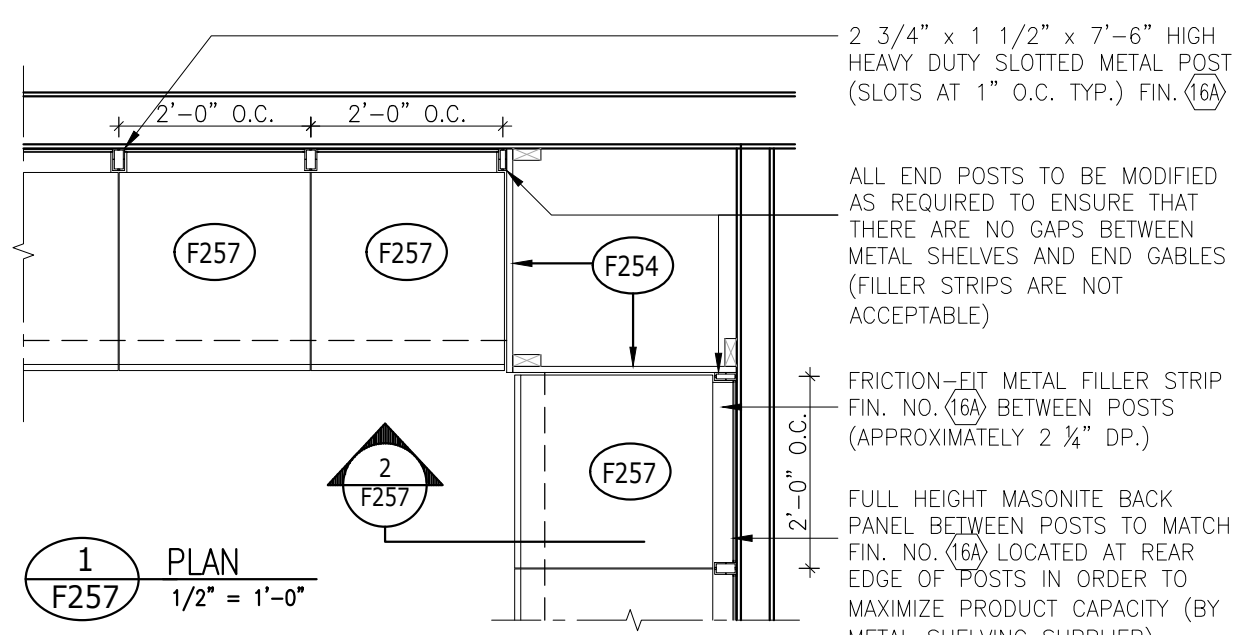
DOOR PULL BY RICHELIEU
MODEL: #458160195 (BRUSHED NICKEL FINISH)



5 ELEVATION
F256 3/4" = 1'-0"

6 SECTIONAL-ELEVATION
F256 3/4" = 1'-0"

LCBO	200 GENERAL LIST	REVISION DATE	REV.	2 of 3	ISSUE DATE	STORE TYPE	STORE #
	4'-0" WHISKY WALL FIXTURE	2021 MAR	17	F256	2021 APR		



1 PLAN
F257 1/2" = 1'-0"

2 3/4" x 1 1/2" x 7'-6" HIGH HEAVY DUTY SLOTTED METAL POST (SLOTS AT 1" O.C. TYP.) FIN. (16A)

ALL END POSTS TO BE MODIFIED AS REQUIRED TO ENSURE THAT THERE ARE NO GAPS BETWEEN METAL SHELVES AND END GABLES (FILLER STRIPS ARE NOT ACCEPTABLE)

FRICITION-FIT METAL FILLER STRIP FIN. NO. (16A) BETWEEN POSTS (APPROXIMATELY 2 1/4" DP.)

FULL HEIGHT MASONITE BACK PANEL BETWEEN POSTS TO MATCH FIN. NO. (16A) LOCATED AT REAR EDGE OF POSTS IN ORDER TO MAXIMIZE PRODUCT CAPACITY (BY METAL SHELVING SUPPLIER)

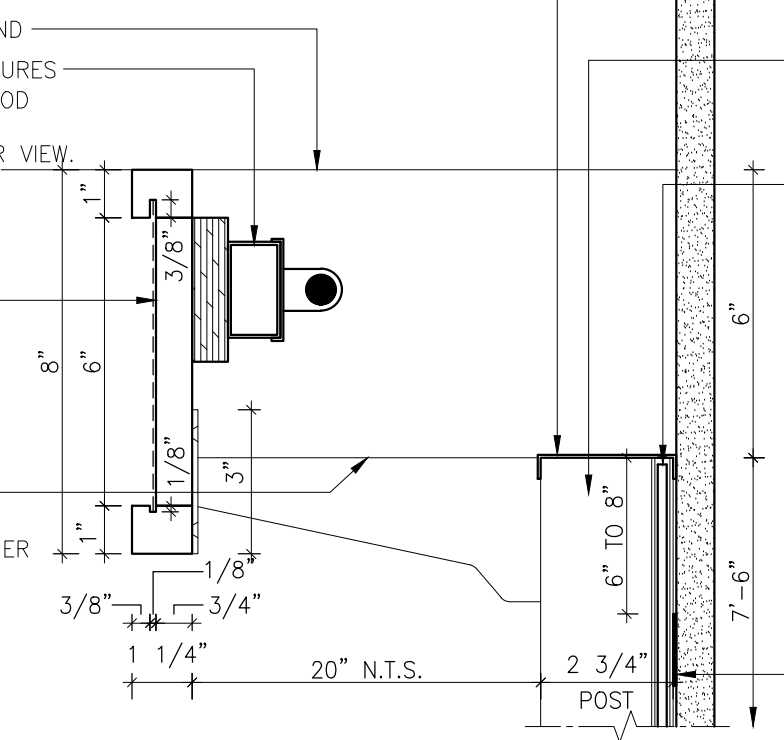
NOTE:
MILLWORK CONTRACTOR TO ENSURE THAT WOOD SIGN BAND IS TRUE AND LEVEL

NOTE:
ALL 1" METAL TICKET HOLDERS TO RECEIVE 1 3/4" PLASTIC TICKET HOLDER INSERT (TO BE SUPPLIED & INSTALLED BY METAL SHELVING SUPPLIER) TO SPAN LENGTH OF SHELF SECTION

LINE OF F203T GABLE BEYOND
T5 FLUORESCENT LIGHT FIXTURES MOUNTED TO A 3/4" PLYWOOD STRIP. ALL POWER FEEDS CONCEALED FROM CUSTOMER VIEW.

P.LAM FASCIA SIGN PANEL FIN. NO. (05) SUPPLIED AND INSTALLED BY MILLWORK CONTRACTOR WITH AS FEW SEAMS AS POSSIBLE (i.e. MINIMUM 8'-0" LENGTHS EXCEPT AT END RUNS AS REQ'D.

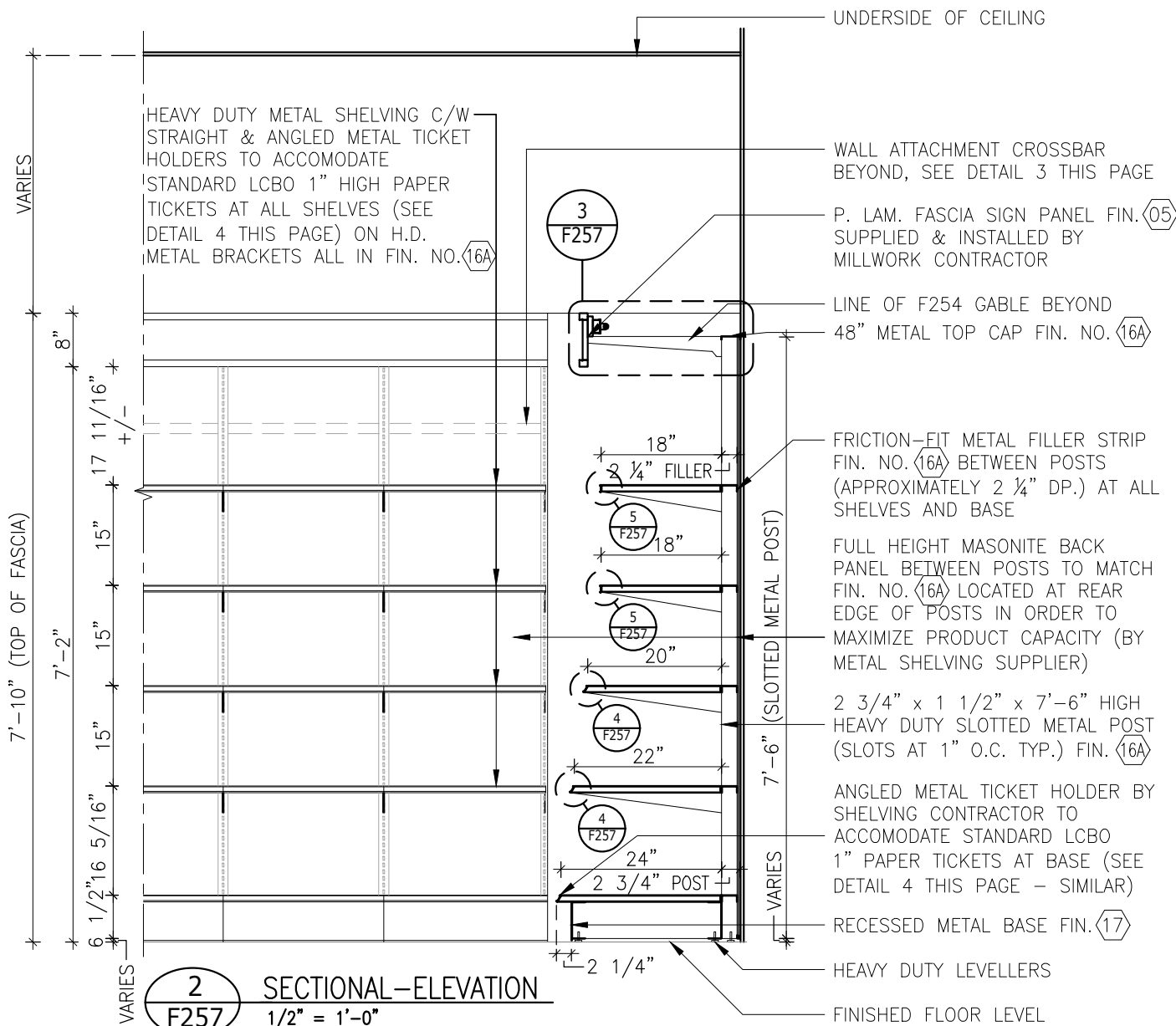
20" METAL BRACKET W/ WELDED 3" X 3" METAL FLANGE BY SHELVING SUPPLIER ALL IN FIN. NO. (16A)



48" METAL TOP CAP FIN. NO. (16A)
2 3/4" x 1 1/2" x 7'-6" HIGH HEAVY DUTY SLOTTED METAL POST (SLOTS AT 1" O.C. TYP.) FIN. NO. (16A)

FULL HEIGHT MASONITE BACK PANEL BETWEEN POSTS TO MATCH FIN. NO. (16A) LOCATED AT REAR EDGE TO POSTS IN ORDER TO MAXIMIZE PRODUCT CAPACITY (BY METAL SHELVING SUPPLIER)

HORIZONTAL WALL ATTACHMENT CROSSBAR CONCEALED BEHIND MASONITE PANEL SCREWED TO PARTITION. GC TO PROVIDE BLOCKING WITHIN PARTITION AS REQUIRED. WHEN BLOCKING WITHIN PARTITION IS NOT POSSIBLE, GC TO STRAP EXIST. WALL WITH 3/4" THK. PLY, SECURED TO EXISTING STUDS.



2 SECTIONAL-ELEVATION
F257 1/2" = 1'-0"

UNDERSIDE OF CEILING
WALL ATTACHMENT CROSSBAR BEYOND, SEE DETAIL 3 THIS PAGE
P. LAM. FASCIA SIGN PANEL FIN. (05) SUPPLIED & INSTALLED BY MILLWORK CONTRACTOR

LINE OF F254 GABLE BEYOND
48" METAL TOP CAP FIN. NO. (16A)

FRICITION-FIT METAL FILLER STRIP FIN. NO. (16A) BETWEEN POSTS (APPROXIMATELY 2 1/4" DP.) AT ALL SHELVES AND BASE
FULL HEIGHT MASONITE BACK PANEL BETWEEN POSTS TO MATCH FIN. NO. (16A) LOCATED AT REAR EDGE OF POSTS IN ORDER TO MAXIMIZE PRODUCT CAPACITY (BY METAL SHELVING SUPPLIER)

2 3/4" x 1 1/2" x 7'-6" HIGH HEAVY DUTY SLOTTED METAL POST (SLOTS AT 1" O.C. TYP.) FIN. (16A)

ANGLED METAL TICKET HOLDER BY SHELVING CONTRACTOR TO ACCOMODATE STANDARD LCBO 1" PAPER TICKETS AT BASE (SEE DETAIL 4 THIS PAGE - SIMILAR)

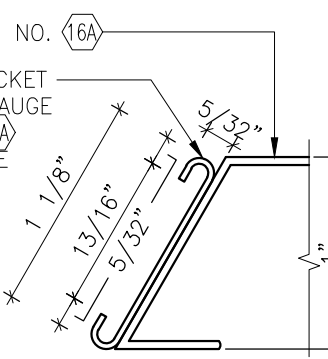
RECESSED METAL BASE FIN. (17)
HEAVY DUTY LEVELLERS
FINISHED FLOOR LEVEL

3 DETAIL
F257 3" = 1'-0"

METAL SHELF FIN. NO. (16A)
ANGLED METAL TICKET HOLDER OF 20 GAUGE STEEL FIN. NO. (16A) WELDED TO SLOPE NOSE OF METAL SHELF EDGE

METAL SHELVING SUPPLIER TO SUPPLY & INSTALL PLASTIC TICKET HOLDER

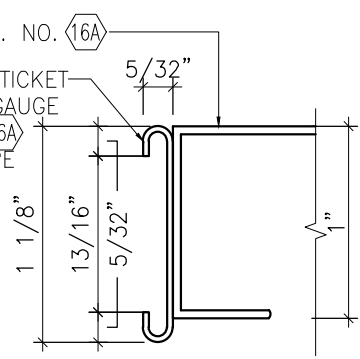
4 ANGLED METAL TICKET HOLDER DETAIL
F257 FULL SCALE



METAL SHELF FIN. NO. (16A)
STRAIGHT METAL TICKET HOLDER OF 20 GAUGE STEEL FIN. NO. (16A) WELDED TO SLOPE NOSE OF METAL SHELF EDGE

NOTE: NO VISIBLE HOLES IN FRONT OF TICKET HOLDER

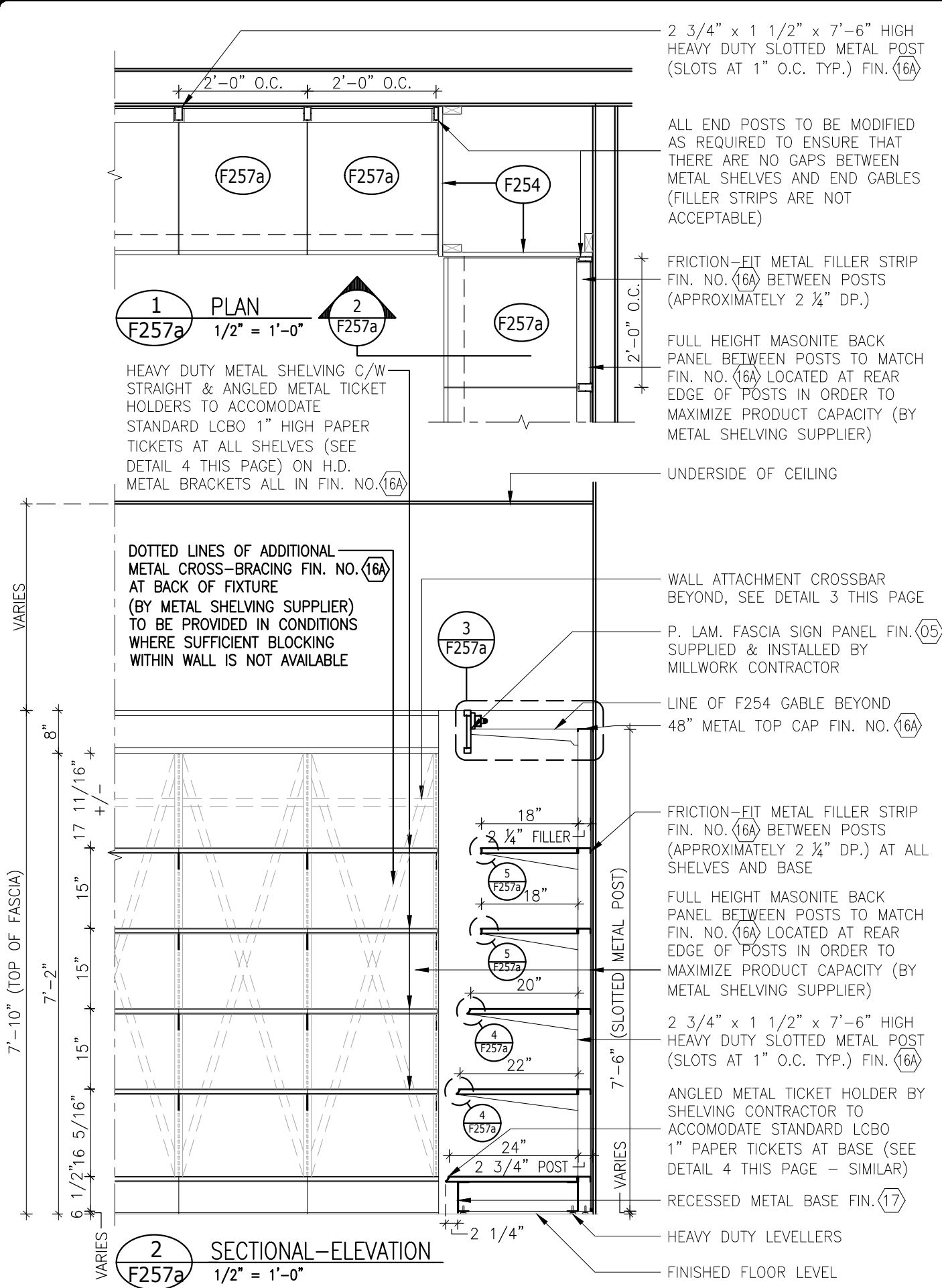
5 STRAIGHT METAL TICKET HOLDER DETAIL
F257 FULL SCALE



GENERAL NOTES
ALL DIMENSIONS INDICATED FROM FINISH FLOOR ARE TAKEN FROM THE HIGHEST FINISHED FLOOR ELEVATION OF THAT FLOOR SYSTEM
ALL ADJUSTMENTS TO COMPENSATE FOR NON-LEVEL FLOOR SURFACES TO BE MADE AT BOTTOM END OF POST
G.C. TO CO-ORDINATE MILLWORK + METAL SHELF INSTALLATION
SHELVING SUPPLIER RESPONSIBLE FOR INSTALLATION OF WALL STRAPPING AS REQUIRED
MILLWORK CONTRACTOR TO OBTAIN SIGNAGE SAMPLE FROM LCBO PRIOR TO FABRICATION TO ENSURE PROPER FIT OF SIGNAGE INSERT
SHELVES TO SUPPORT LOAD CAPACITY OF 500LBS
ALL END POSTS TO BE MODIFIED AS REQUIRED TO ENSURE THAT THERE ARE NO GAPS BETWEEN METAL SHELVES AND END GABLES (FILLER STRIPS ARE NOT ACCEPTABLE)

- GENERAL NOTES**
- DIMENSIONS SHOWN REFLECT SHELF & BASE DIMENSIONS ONLY & DO NOT TAKE METAL TICKET HOLDERS INTO ACCOUNT
 - ALL ADJUSTMENTS TO COMPENSATE FOR NON-LEVEL FLOOR SURFACES TO BE MADE AT BOTTOM END OF POST
 - GC TO CO-ORDINATE MILLWORK + METAL SHELF INSTALLATION
 - T5 FLUORESCENT LIGHT FIXTURES TO BE SUPPLIED & INSTALLED BY G.C.
 - GC RESPONSIBLE FOR INSTALLATION OF WALL STRAPPING AS REQ'D.
 - MILLWORK CONTRACTOR TO OBTAIN SIGNAGE SAMPLE FROM LCBO PRIOR TO FABRICATION TO ENSURE PROPER FIT OF SIGNAGE INSERT
 - SHELVING SUPPLIER TO OBTAIN 1" HIGH PAPER TICKET SAMPLE FROM LCBO PRIOR TO FABRICATION TO ENSURE PROPER FIT WITHIN TICKET MOULDING. SUBMIT SAMPLE FOR APPROVAL
 - GC TO ENSURE ALL SHELVES ARE IN EXACT ALIGNMENT AND ARE TRUE & LEVEL. PERFORATED SHELVES ARE ACCEPTABLE. SHELVES TO SUPPORT LOAD CAPACITY OF 500LBS
 - ALL END POSTS TO BE MODIFIED AS REQUIRED TO ENSURE THAT THERE ARE NO GAPS BETWEEN METAL SHELVES AND END GABLES (FILLER STRIPS ARE NOT ACCEPTABLE)

LCBO	200 GENERAL LIST	REVISION DATE	REV.	1 of 1	ISSUE DATE	STORE TYPE	STORE #
	24" PERIM. MET. SHELVING UNIT w/ FASCIA & MET. TICKET MOULD. (7'-10" H.)	2021 MAR	17	F257	2021 APR		



2 3/4" x 1 1/2" x 7'-6" HIGH HEAVY DUTY SLOTTED METAL POST (SLOTS AT 1" O.C. TYP.) FIN. (16A)

ALL END POSTS TO BE MODIFIED AS REQUIRED TO ENSURE THAT THERE ARE NO GAPS BETWEEN METAL SHELVES AND END GABLES (FILLER STRIPS ARE NOT ACCEPTABLE)

FRICITION-FIT METAL FILLER STRIP FIN. NO. (16A) BETWEEN POSTS (APPROXIMATELY 2 1/4" DP.)

FULL HEIGHT MASONITE BACK PANEL BETWEEN POSTS TO MATCH FIN. NO. (16A) LOCATED AT REAR EDGE OF POSTS IN ORDER TO MAXIMIZE PRODUCT CAPACITY (BY METAL SHELVING SUPPLIER)

UNDERSIDE OF CEILING
WALL ATTACHMENT CROSSBAR BEYOND, SEE DETAIL 3 THIS PAGE

P. LAM. FASCIA SIGN PANEL FIN. (05) SUPPLIED & INSTALLED BY MILLWORK CONTRACTOR

LINE OF F254 GABLE BEYOND
48" METAL TOP CAP FIN. NO. (16A)

FRICITION-FIT METAL FILLER STRIP FIN. NO. (16A) BETWEEN POSTS (APPROXIMATELY 2 1/4" DP.) AT ALL SHELVES AND BASE

FULL HEIGHT MASONITE BACK PANEL BETWEEN POSTS TO MATCH FIN. NO. (16A) LOCATED AT REAR EDGE OF POSTS IN ORDER TO MAXIMIZE PRODUCT CAPACITY (BY METAL SHELVING SUPPLIER)

2 3/4" x 1 1/2" x 7'-6" HIGH HEAVY DUTY SLOTTED METAL POST (SLOTS AT 1" O.C. TYP.) FIN. (16A)

ANGLED METAL TICKET HOLDER BY SHELVING CONTRACTOR TO ACCOMODATE STANDARD LCBO 1" PAPER TICKETS AT BASE (SEE DETAIL 4 THIS PAGE - SIMILAR)

RECESSED METAL BASE FIN. (17)

HEAVY DUTY LEVELLERS
FINISHED FLOOR LEVEL

NOTE:
MILLWORK CONTRACTOR TO ENSURE THAT WOOD SIGN BAND IS TRUE AND LEVEL

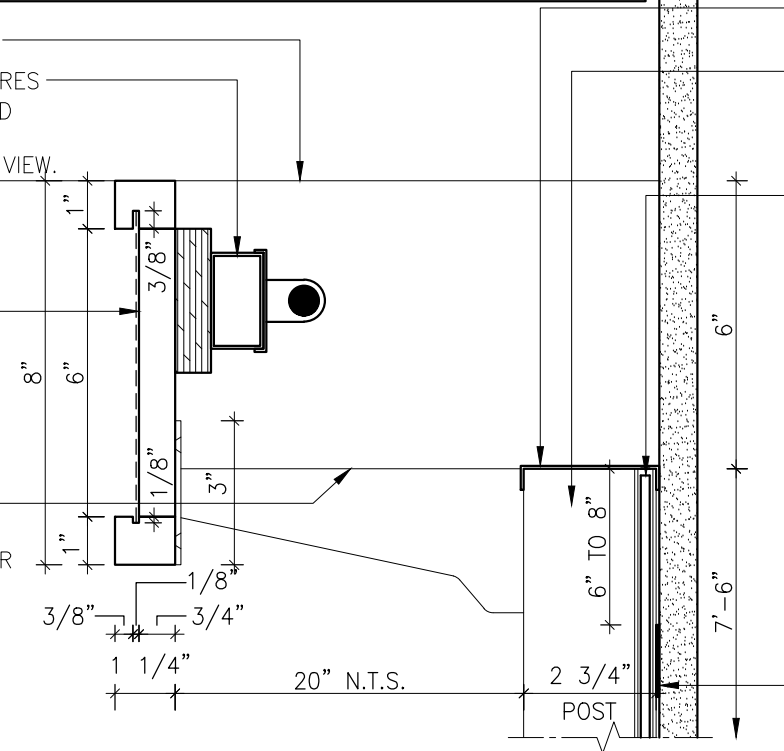
NOTE:
ALL 1" METAL TICKET HOLDERS TO RECEIVE 1 3/4" PLASTIC TICKET HOLDER INSERT (TO BE SUPPLIED & INSTALLED BY METAL SHELVING SUPPLIER) TO SPAN LENGTH OF SHELF SECTION

LINE OF F254 GABLE BEYOND
T5 FLUORESCENT LIGHT FIXTURES MOUNTED TO A 3/4" PLYWOOD STRIP. ALL POWER FEEDS CONCEALED FROM CUSTOMER VIEW.

P.LAM FASCIA SIGN PANEL FIN. NO. (05) SUPPLIED AND INSTALLED BY MILLWORK CONTRACTOR WITH AS FEW SEAMS AS POSSIBLE (i.e. MINIMUM 8'-0" LENGTHS EXCEPT AT END RUNS AS REQ'D.

20" METAL BRACKET W/ WELDED 3" X 3" METAL FLANGE BY SHELVING SUPPLIER ALL IN FIN. NO. (16A)

3 DETAIL
F257a 3" = 1'-0"



48" METAL TOP CAP FIN. NO. (16A)
2 3/4" x 1 1/2" x 7'-6" HIGH HEAVY DUTY SLOTTED METAL POST (SLOTS AT 1" O.C. TYP.) FIN. NO. (16A)

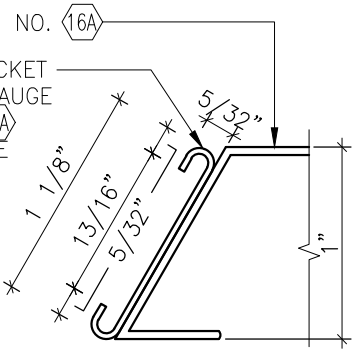
FULL HEIGHT MASONITE BACK PANEL BETWEEN POSTS TO MATCH FIN. (16A) LOCATED AT REAR EDGE TO POSTS IN ORDER TO MAXIMIZE PRODUCT CAPACITY (BY METAL SHELVING SUPPLIER)

HORIZONTAL WALL ATTACHMENT CROSSBAR CONCEALED BEHIND MASONITE PANEL SCREWED TO PARTITION. GC TO PROVIDE BLOCKING WITHIN PARTITION AS REQUIRED. WHEN BLOCKING WITHIN PARTITION IS NOT POSSIBLE, GC TO STRAP EXIST. WALL WITH 3/4" THK. PLY, SECURED TO EXISTING STUDS.

METAL SHELF FIN. NO. (16A)
ANGLED METAL TICKET HOLDER OF 20 GAUGE STEEL FIN. NO. (16A) WELDED TO SLOPE NOSE OF METAL SHELF EDGE

METAL SHELVING SUPPLIER TO SUPPLY & INSTALL PLASTIC TICKET HOLDER

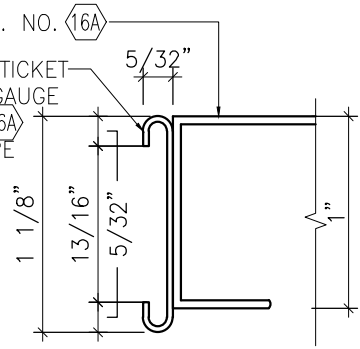
4 ANGLED METAL TICKET HOLDER DETAIL
F257a FULL SCALE



METAL SHELF FIN. NO. (16A)
STRAIGHT METAL TICKET HOLDER OF 20 GAUGE STEEL FIN. NO. (16A) WELDED TO SLOPE NOSE OF METAL SHELF EDGE

NOTE: NO VISIBLE HOLES IN FRONT OF TICKET HOLDER

5 STRAIGHT METAL TICKET HOLDER DETAIL
F257a FULL SCALE



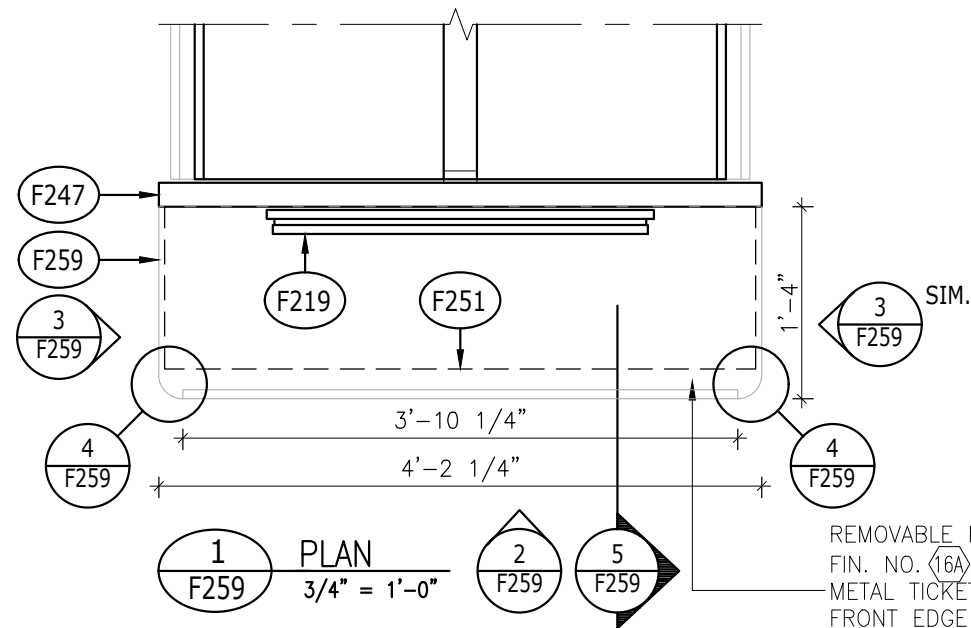
GENERAL NOTES
ALL DIMENSIONS INDICATED FROM FINISH FLOOR ARE TAKEN FROM THE HIGHEST FINISHED FLOOR ELEVATION OF THAT FLOOR SYSTEM
ALL ADJUSTMENTS TO COMPENSATE FOR NON-LEVEL FLOOR SURFACES TO BE MADE AT BOTTOM END OF POST
G.C. TO CO-ORDINATE MILLWORK + METAL SHELF INSTALLATION
SHELVING SUPPLIER RESPONSIBLE FOR INSTALLATION OF WALL STRAPPING AS REQUIRED
MILLWORK CONTRACTOR TO OBTAIN SIGNAGE SAMPLE FROM LCBO PRIOR TO FABRICATION TO ENSURE PROPER FIT OF SIGNAGE INSERT
SHELVES TO SUPPORT LOAD CAPACITY OF 500LBS
ALL END POSTS TO BE MODIFIED AS REQUIRED TO ENSURE THAT THERE ARE NO GAPS BETWEEN METAL SHELVES AND END GABLES (FILLER STRIPS ARE NOT ACCEPTABLE)

- GENERAL NOTES
- DIMENSIONS SHOWN REFLECT SHELF & BASE DIMENSIONS ONLY & DO NOT TAKE METAL TICKET HOLDERS INTO ACCOUNT
 - ALL ADJUSTMENTS TO COMPENSATE FOR NON-LEVEL FLOOR SURFACES TO BE MADE AT BOTTOM END OF POST
 - GC TO CO-ORDINATE MILLWORK + METAL SHELF INSTALLATION
 - T5 FLUORESCENT LIGHT FIXTURES TO BE SUPPLIED & INSTALLED BY G.C.
 - GC RESPONSIBLE FOR INSTALLATION OF WALL STRAPPING AS REQ'D.
 - MILLWORK CONTRACTOR TO OBTAIN SIGNAGE SAMPLE FROM LCBO PRIOR TO FABRICATION TO ENSURE PROPER FIT OF SIGNAGE INSERT
 - SHELVING SUPPLIER TO OBTAIN 1" HIGH PAPER TICKET SAMPLE FROM LCBO PRIOR TO FABRICATION TO ENSURE PROPER FIT WITHIN TICKET MOULDING. SUBMIT SAMPLE FOR APPROVAL
 - GC TO ENSURE ALL SHELVES ARE IN EXACT ALIGNMENT AND ARE TRUE & LEVEL. PERFORATED SHELVES ARE ACCEPTABLE. SHELVES TO SUPPORT LOAD CAPACITY OF 500LBS
 - ALL END POSTS TO BE MODIFIED AS REQUIRED TO ENSURE THAT THERE ARE NO GAPS BETWEEN METAL SHELVES AND END GABLES (FILLER STRIPS ARE NOT ACCEPTABLE)

LCBO	200 GENERAL LIST	REVISION DATE	REV.	1 of 1	ISSUE DATE	STORE TYPE	STORE #
	24" PERIM. MET. SHELVING UNIT w/ FASCIA, MET. TICKET MOULD. & METAL CROSS BRACING (7'-10" H.)	2021 MAR.	17	F257a	2021 APR		

RESERVED

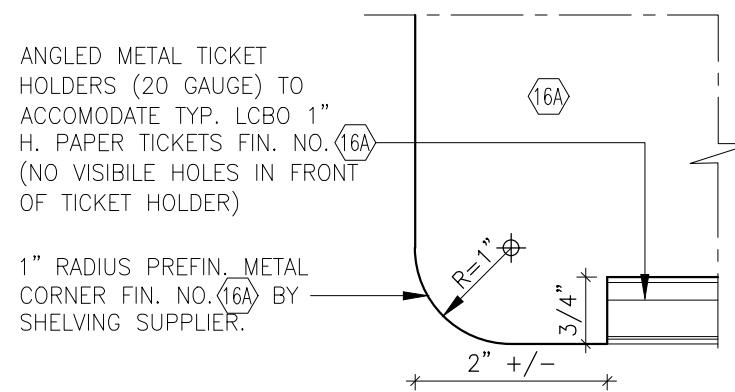
LCBO	200 GENERAL LIST	REVISION DATE	REV.	1 of 1	ISSUE DATE	STORE TYPE	STORE #
		2021 MAR	17	F258	2021 APR		



1 PLAN
F259 3/4" = 1'-0"

REMOVABLE METAL PLATFORM
FIN. NO. (16A) C/W ANGLED
METAL TICKET HOLDER AT
FRONT EDGE FIN. NO. (16A) BY
SHELVING SUPPLIER WITH
RECESSED BASE FIN. NO. (17)

4 PLAN-DETAIL
F259 6" = 1'-0"

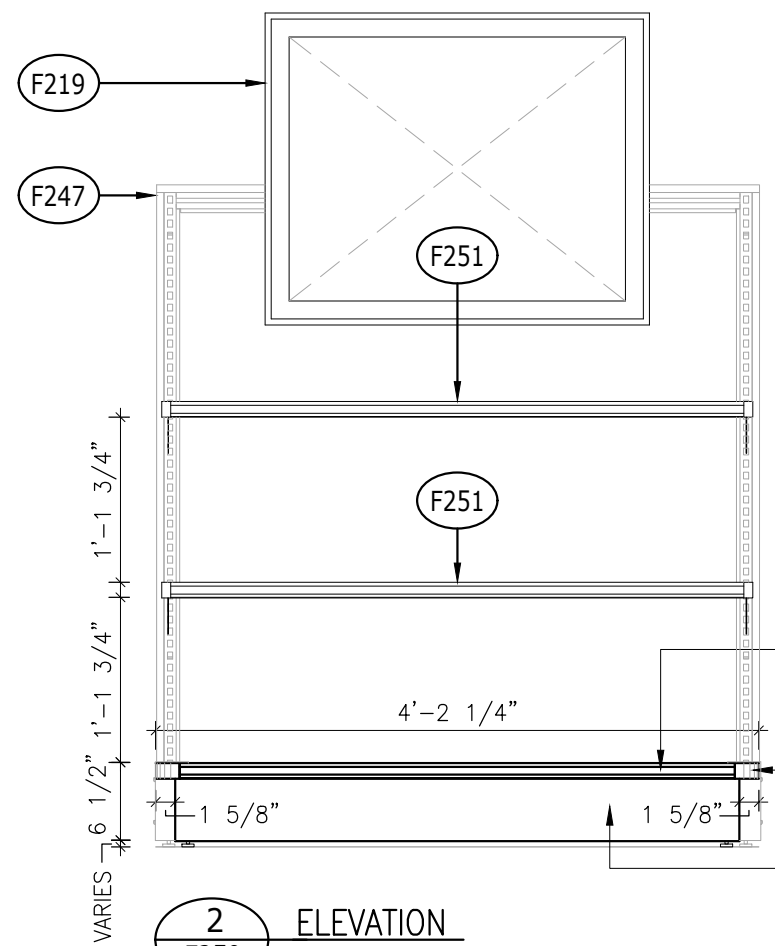


ANGLED METAL TICKET
HOLDERS (20 GAUGE) TO
ACCOMODATE TYP. LCBO 1"
H. PAPER TICKETS FIN. NO. (16A)
(NO VISIBLE HOLES IN FRONT
OF TICKET HOLDER)

1" RADIUS PREFIN. METAL
CORNER FIN. NO. (16A) BY
SHELVING SUPPLIER.

GENERAL NOTES

- DIMENSIONS SHOWN REFLECT SHELF & BASE DIMENSIONS ONLY & DO NOT TAKE METAL TICKET HOLDERS INTO ACCOUNT
- SHELVING SUPPLIER TO OBTAIN 1" HIGH PAPER TICKET SAMPLE FROM LCBO PRIOR TO FABRICATION TO ENSURE PROPER FIT WITHIN TICKET MOULDING. SUBMIT SAMPLE FOR APPROVAL
- PERFORATIONS IN REMOVABLE PLINTH ARE NOT ACCEPTABLE



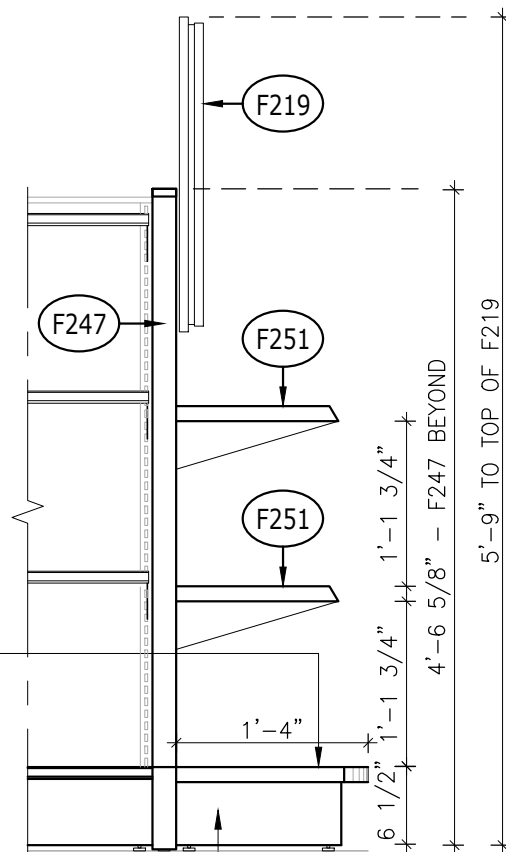
2 ELEVATION
F259 3/4" = 1'-0"

NOTE:
ALL 1" METAL TICKET
HOLDERS TO RECEIVE 1 3/4"
PLASTIC TICKET HOLDER
INSERT TO SPAN LENGTH
OF SHELF SECTION TO BE
SUPPLIED & INSTALLED BY
METAL SHELVING SUPPLIER

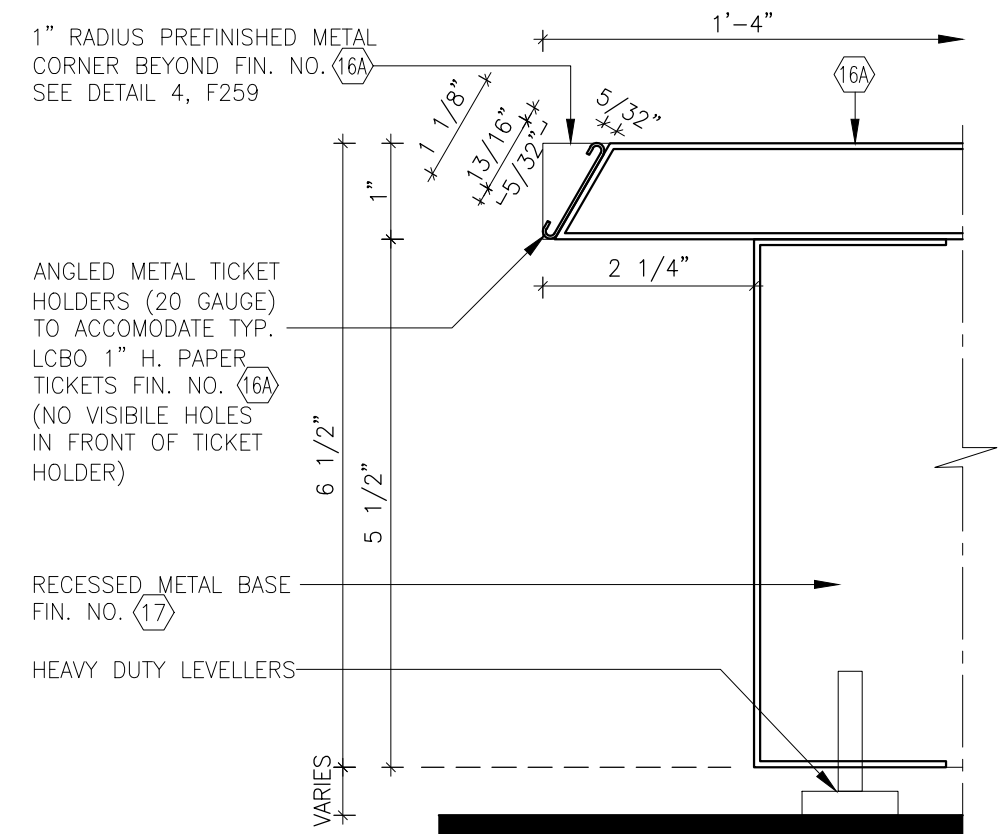
REMOVABLE METAL PLATFORM
FIN. NO. (16A) C/W ANGLED METAL
TICKET HOLDER AT FRONT EDGE
FIN. NO. (16A) BY SHELVING SUPPLIER

1" RADIUS TO METAL CORNER
FIN. NO. (16A) SEE DETAIL 4, F259

RECESSED METAL BASE
FIN. NO. (17)



3 ELEVATION
F259 3/4" = 1'-0"



5 SECTION-DETAIL
F259 6" = 1'-0"

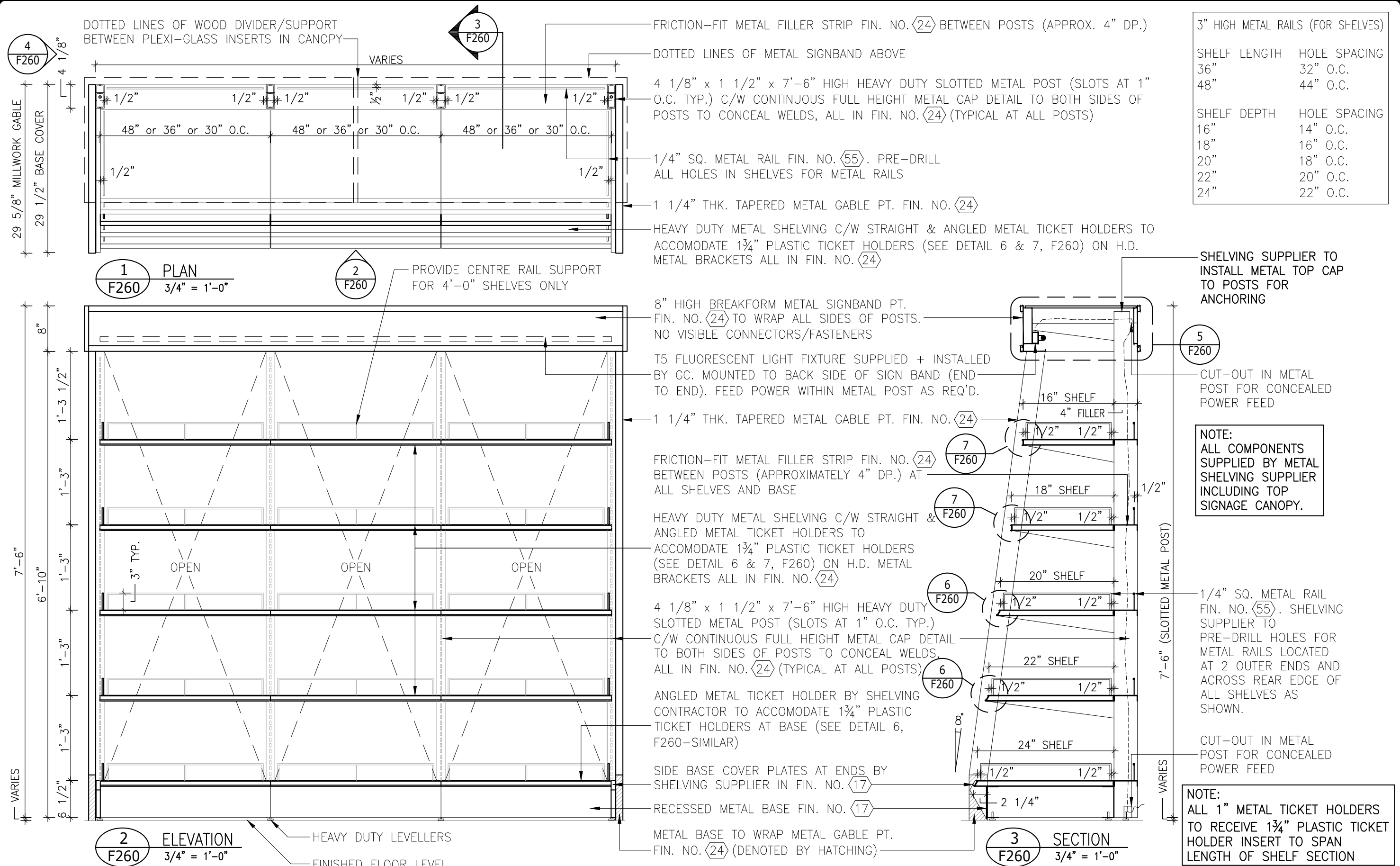
1" RADIUS PREFINISHED METAL
CORNER BEYOND FIN. NO. (16A)
SEE DETAIL 4, F259

ANGLED METAL TICKET
HOLDERS (20 GAUGE)
TO ACCOMODATE TYP.
LCBO 1" H. PAPER
TICKETS FIN. NO. (16A)
(NO VISIBLE HOLES
IN FRONT OF TICKET
HOLDER)

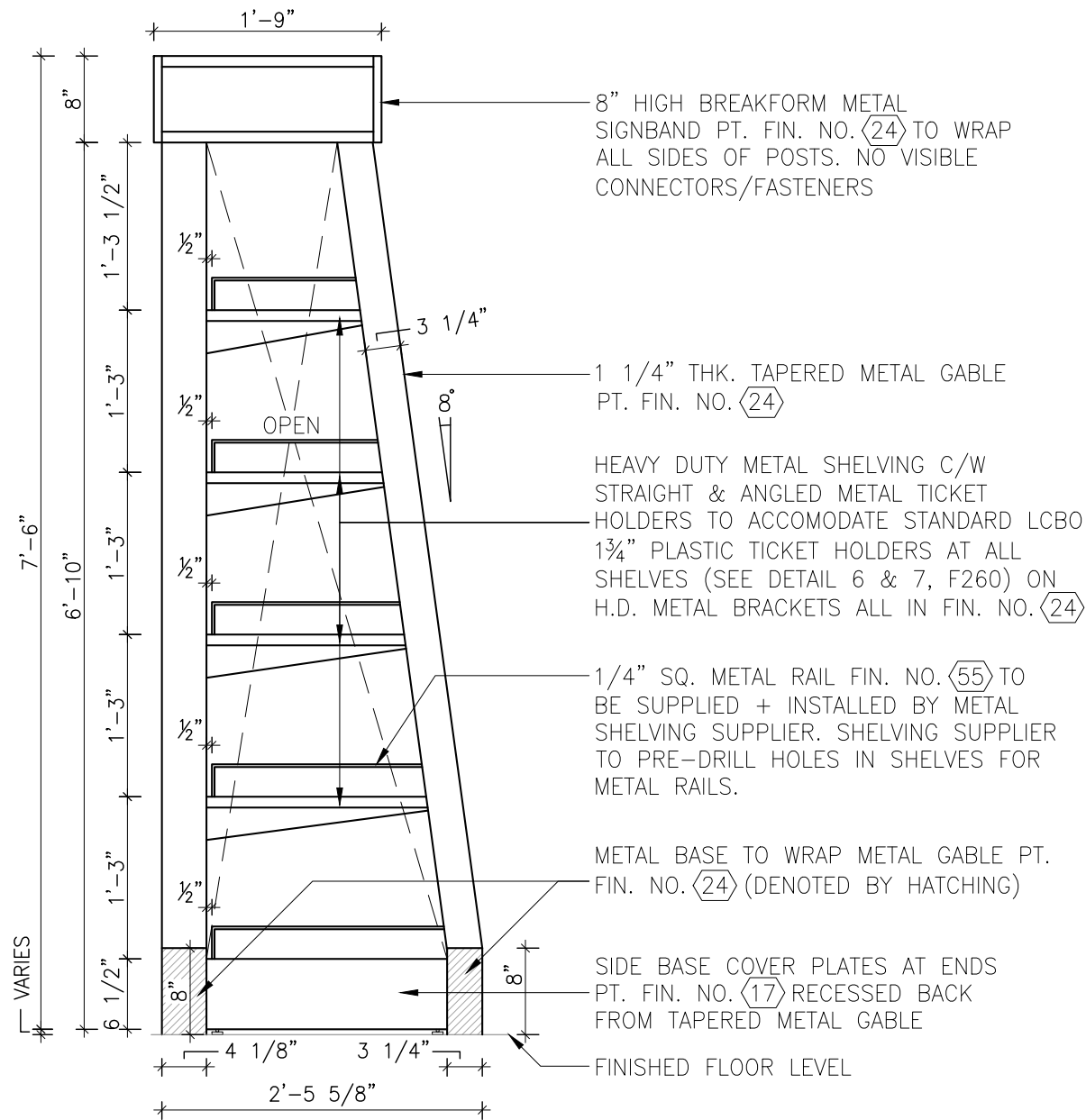
RECESSED METAL BASE
FIN. NO. (17)

HEAVY DUTY LEVELLERS

LCBO	200 GENERAL LIST	REVISION DATE	REV.	1 of 1	ISSUE DATE	STORE TYPE	STORE #
	METAL PLINTH (16" DEEP)	2021 MAR.	17	F259	2021 APR		



LCBO	200 GENERAL LIST	REVISION DATE	REV.	1 of 2	ISSUE DATE	STORE TYPE	STORE #
	DOUBLE SIDED GIFT/SPIRITS FIXTURE WITH METAL SHELVES (ILLUMINATED)	2021 MAR	17	F260	2021 APR		



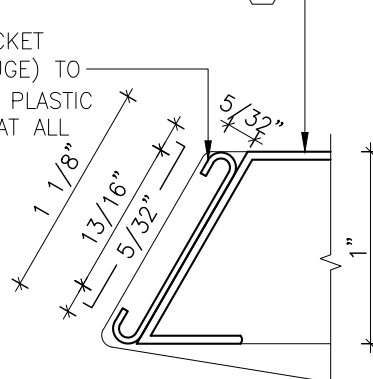
4 ELEVATION
F260 3/4" = 1'-0"

NOTE:
ALL 1" METAL TICKET HOLDERS TO RECEIVE 1 3/4" PLASTIC TICKET HOLDER INSERT TO SPAN LENGTH OF SHELF SECTION

HEAVY DUTY METAL SHELVING C/W ANGLED METAL TICKET HOLDERS ON H.D. METAL BRACKETS ALL IN FIN. NO. (24)

ANGLED METAL TICKET HOLDERS (20 GAUGE) TO ACCOMODATE 1 3/4" PLASTIC TICKET HOLDERS AT ALL SHELVES FIN. NO. (24)

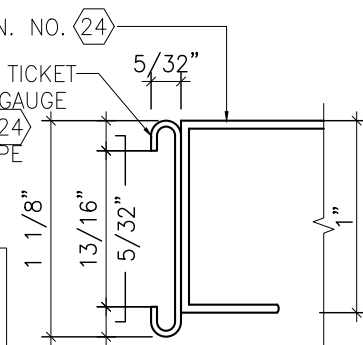
NOTE: NO VISIBLE HOLES IN FRONT OF TICKET HOLDER



6 ANGLED METAL TICKET HOLDER DETAIL
F260 FULL SCALE

METAL SHELF FIN. NO. (24)
STRAIGHT METAL TICKET HOLDER OF 20 GAUGE STEEL FIN. NO. (24) WELDED TO SLOPE NOSE OF METAL SHELF EDGE

NOTE: NO VISIBLE HOLES IN FRONT OF TICKET HOLDER



7 STRAIGHT METAL TICKET HOLDER DETAIL
F260 FULL SCALE

NOTE:
ALL COMPONENTS SUPPLIED BY METAL SHELVING SUPPLIER INCLUDING TOP SIGNAGE CANOPY.

NOTE:
METAL SHELVING SUPPLIER TO ENSURE THAT FIXTURE IS CONSTRUCTED SO THAT LIGHT FIXTURES CAN BE SERVICED AND/OR REMOVED WITHOUT DISMANTLING FIXTURE

WOOD DIVIDER BETWEEN PLEXI-GLASS INSERT IN CANOPY

3/8" THK. FROSTED PLEXI-GLASS INSERTS ON RUBBER CUSHIONS

8" HIGH BREAKFORM METAL SIGNBAND PT. FIN. NO. (24) TO WRAP ALL SIDES OF POSTS. NO VISIBLE CONNECTORS/FASTENERS

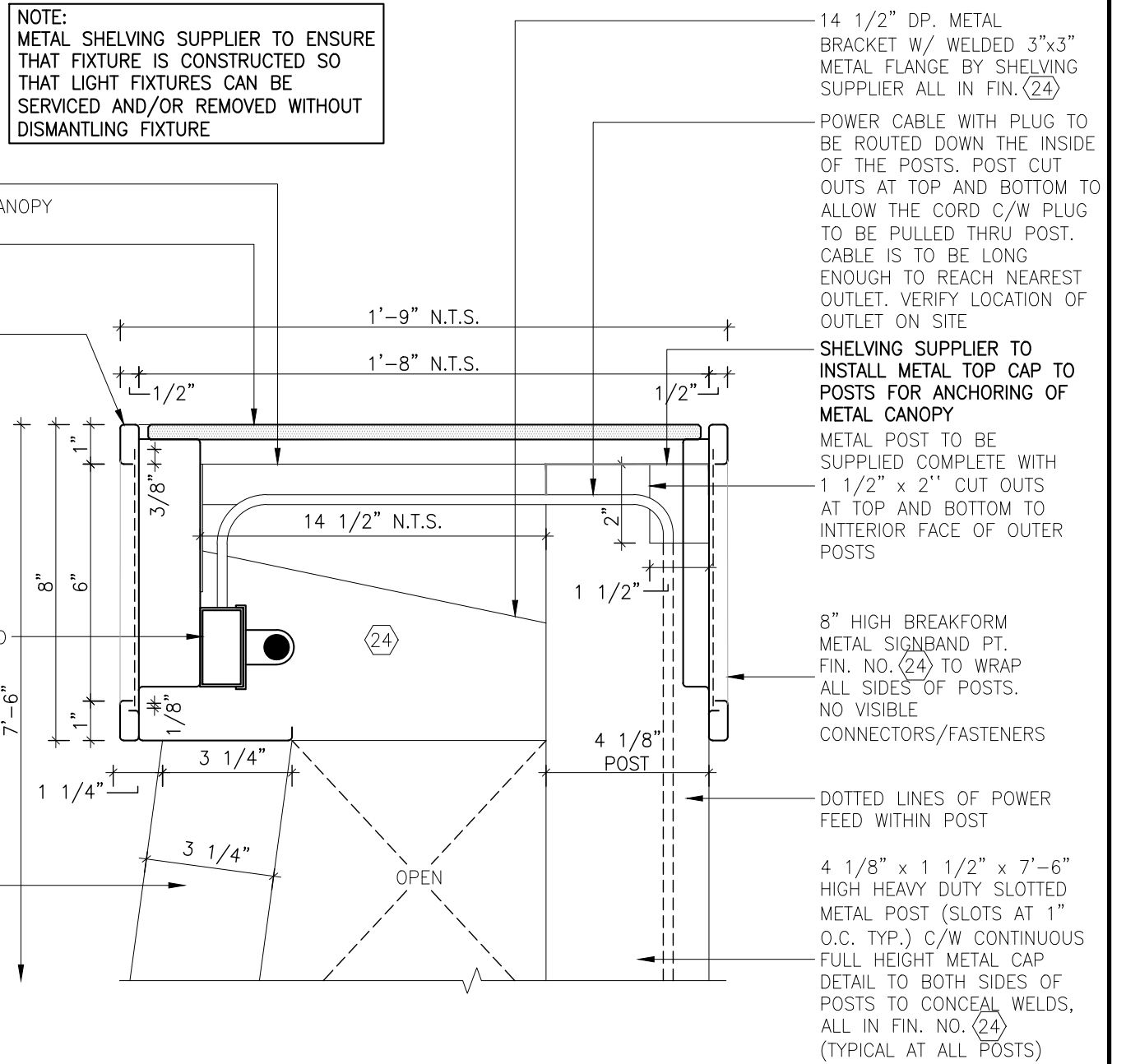
T5 FLUORESCENT LIGHT FIXTURE SUPPLIED + INSTALLED BY GC MOUNTED TO BACK SIDE OF SIGN BAND (END TO END). CONCEAL POWER FEED WITHIN METAL POST AS REQUIRED

1 1/4" x 3 1/4" TAPERED METAL POST PT. FIN. NO. (24)

5 DETAIL
F260 3" = 1'-0"

GENERAL NOTES

- DIMENSIONS SHOWN REFLECT SHELF & BASE DIMENSIONS ONLY & DO NOT TAKE METAL TICKET HOLDERS INTO ACCOUNT
- ALL ADJUSTMENTS TO COMPENSATE FOR NON-LEVEL FLOOR SURFACES TO BE MADE AT BOTTOM END OF POST
- GC TO CO-ORDINATE METAL SHELF INSTALLATION
- METAL SHELVING SUPPLIER TO OBTAIN SIGNAGE SAMPLE FROM LCBO PRIOR TO FABRICATION TO ENSURE PROPER FIT OF SIGNAGE INSERT
- ENSURE ALL SHELVES ARE IN EXACT ALIGNMENT AND ARE TRUE & LEVEL. PERFORATED SHELVES ARE NOT ACCEPTABLE. SHELVES TO SUPPORT LOAD CAPACITY OF 500LBS
- ALL METAL SHELVING COMPONENTS TO BE SUPPLIED TO SHELVING SUPPLIER. METAL SHELVING SUPPLIER RESPONSIBLE FOR FINAL ASSEMBLY ON-SITE.



14 1/2" DP. METAL BRACKET W/ WELDED 3"x3" METAL FLANGE BY SHELVING SUPPLIER ALL IN FIN. (24)

POWER CABLE WITH PLUG TO BE ROUTED DOWN THE INSIDE OF THE POSTS. POST CUT OUTS AT TOP AND BOTTOM TO ALLOW THE CORD C/W PLUG TO BE PULLED THRU POST. CABLE IS TO BE LONG ENOUGH TO REACH NEAREST OUTLET. VERIFY LOCATION OF OUTLET ON SITE

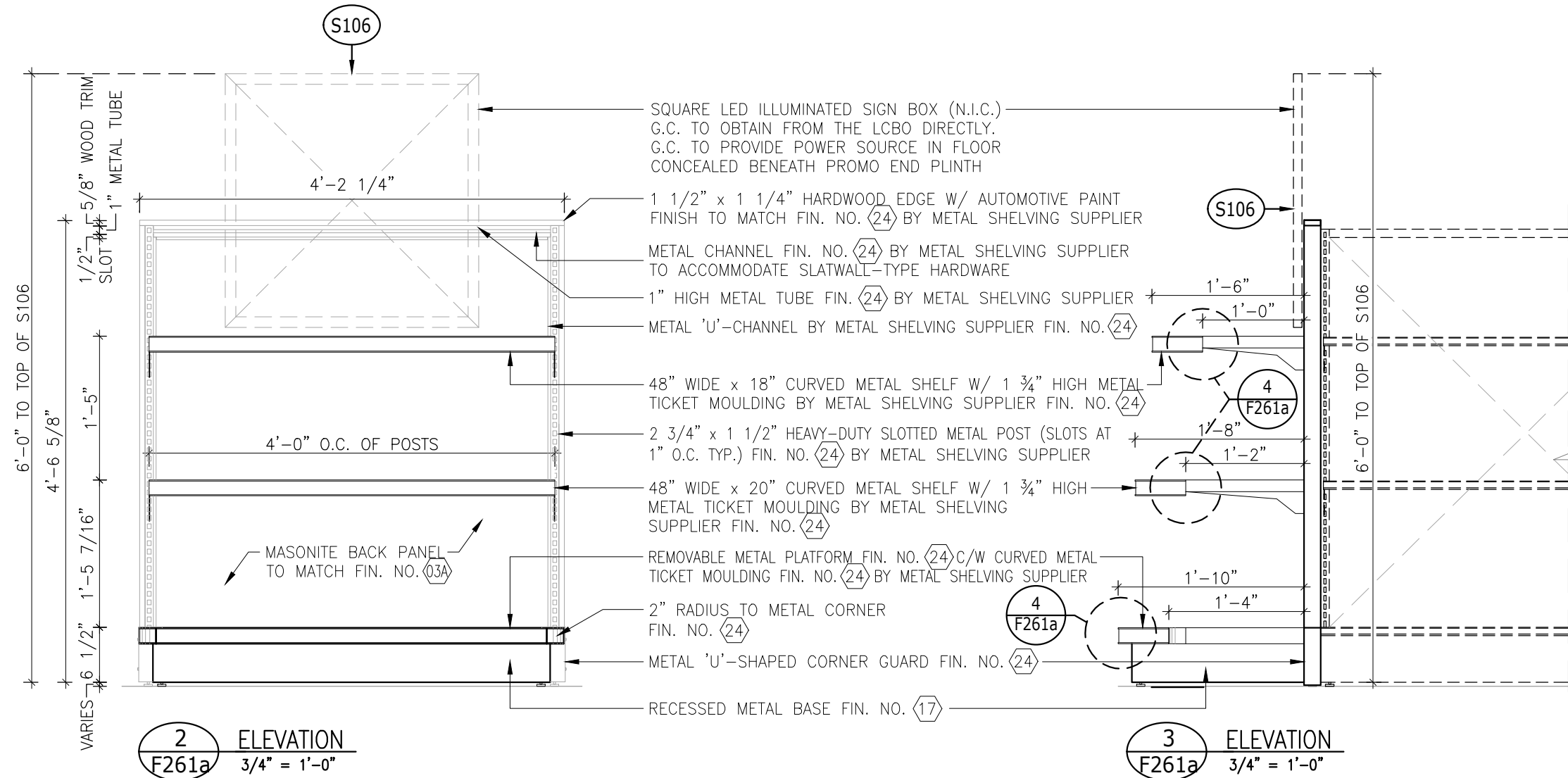
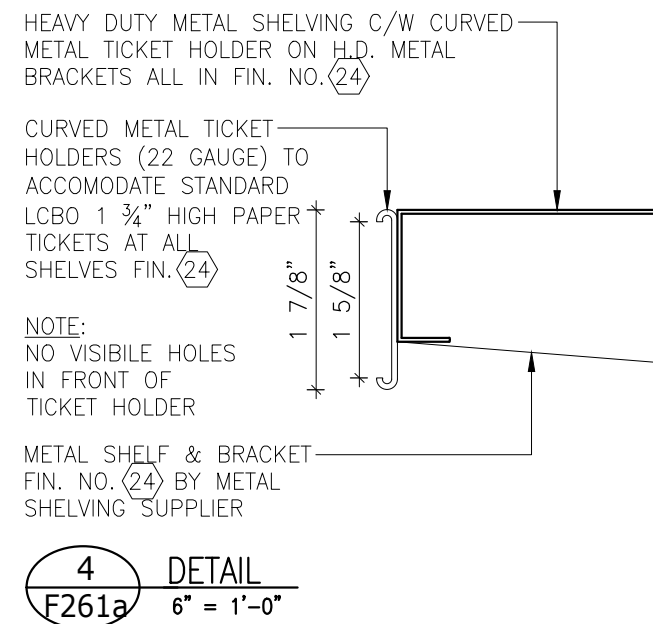
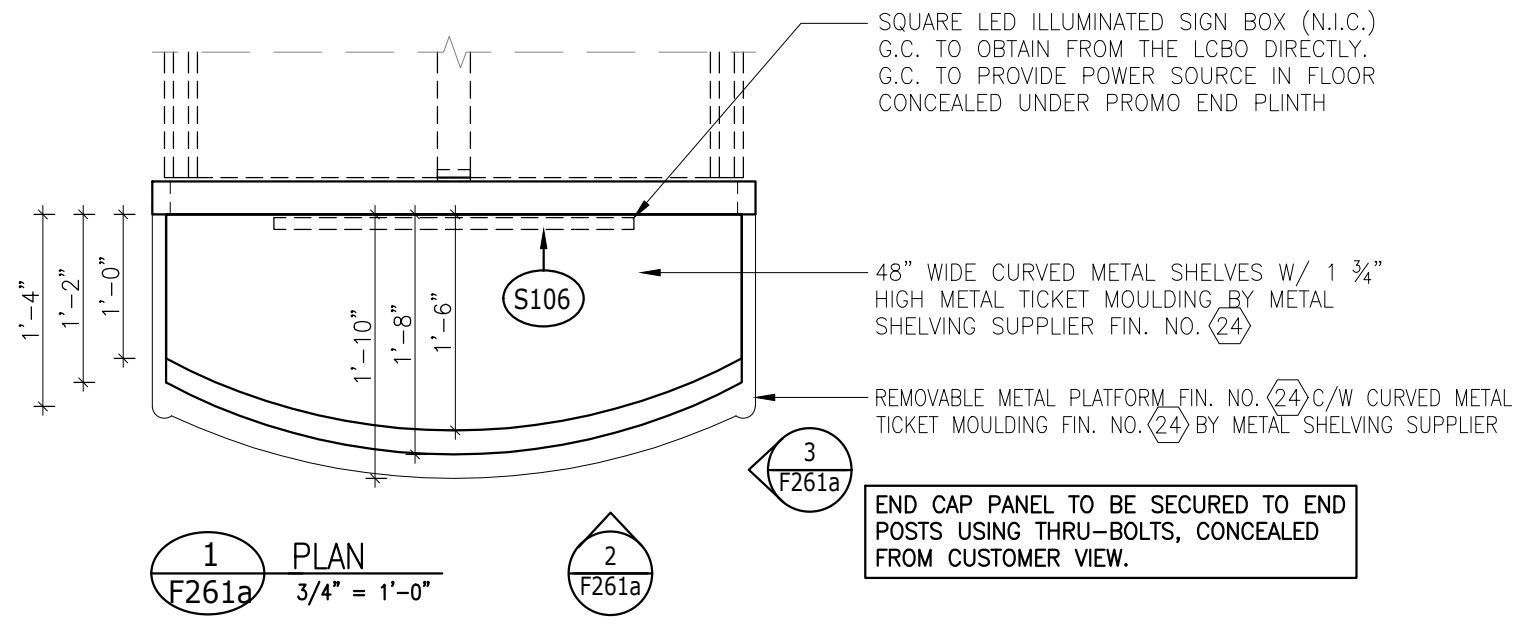
SHELVING SUPPLIER TO INSTALL METAL TOP CAP TO POSTS FOR ANCHORING OF METAL CANOPY
METAL POST TO BE SUPPLIED COMPLETE WITH 1 1/2" x 2" CUT OUTS AT TOP AND BOTTOM TO INTERIOR FACE OF OUTER POSTS

8" HIGH BREAKFORM METAL SIGNBAND PT. FIN. NO. (24) TO WRAP ALL SIDES OF POSTS. NO VISIBLE CONNECTORS/FASTENERS

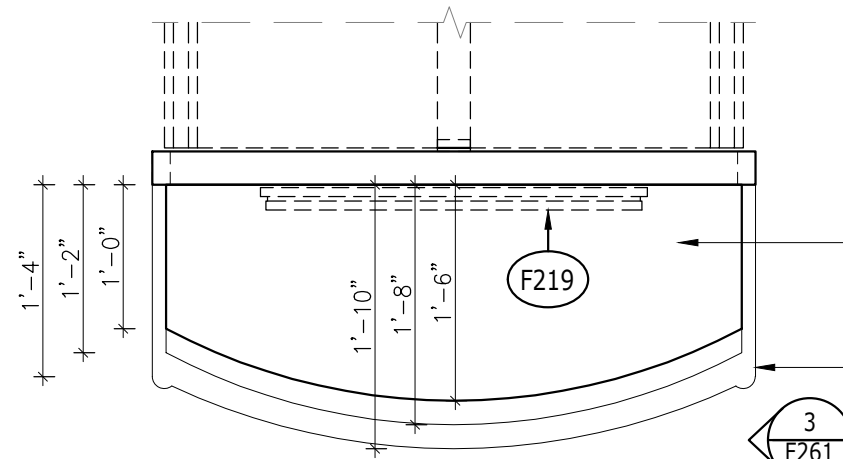
DOTTED LINES OF POWER FEED WITHIN POST

4 1/8" x 1 1/2" x 7'-6" HIGH HEAVY DUTY SLOTTED METAL POST (SLOTS AT 1" O.C. TYP.) C/W CONTINUOUS FULL HEIGHT METAL CAP DETAIL TO BOTH SIDES OF POSTS TO CONCEAL WELDS, ALL IN FIN. NO. (24) (TYPICAL AT ALL POSTS)

LCBO	200 GENERAL LIST	REVISION DATE	REV.	2 of 2	ISSUE DATE	STORE TYPE	STORE #
	DOUBLE SIDED GIFT/SPIRITS FIXTURE WITH METAL SHELVES (ILLUMINATED)	2021 MAR	17	F260	2021 APR		



LCBO	200 GENERAL LIST	REVISION DATE	REV.	1 of 1	ISSUE DATE	STORE TYPE	STORE #
	METAL GONDOLA PROMO END	2021 MAR	17	F261a	2021 APR		



1 PLAN
F261 3/4" = 1'-0"

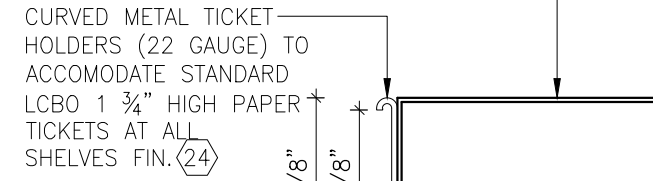
NOTE:
MILLWORK CONTRACTOR TO SUPPLY AND
INSTALL REMOVABLE P.O.P. FRAME (F219)

48" WIDE CURVED METAL SHELVES W/ 1 3/4"
HIGH METAL TICKET MOULDING BY METAL
SHELVING SUPPLIER FIN. NO. (24)

REMOVABLE METAL PLATFORM FIN. NO. (24) C/W CURVED METAL
TICKET MOULDING FIN. NO. (24) BY METAL SHELVING SUPPLIER

**END CAP PANEL TO BE SECURED TO END
POSTS USING THRU-BOLTS, CONCEALED
FROM CUSTOMER VIEW.**

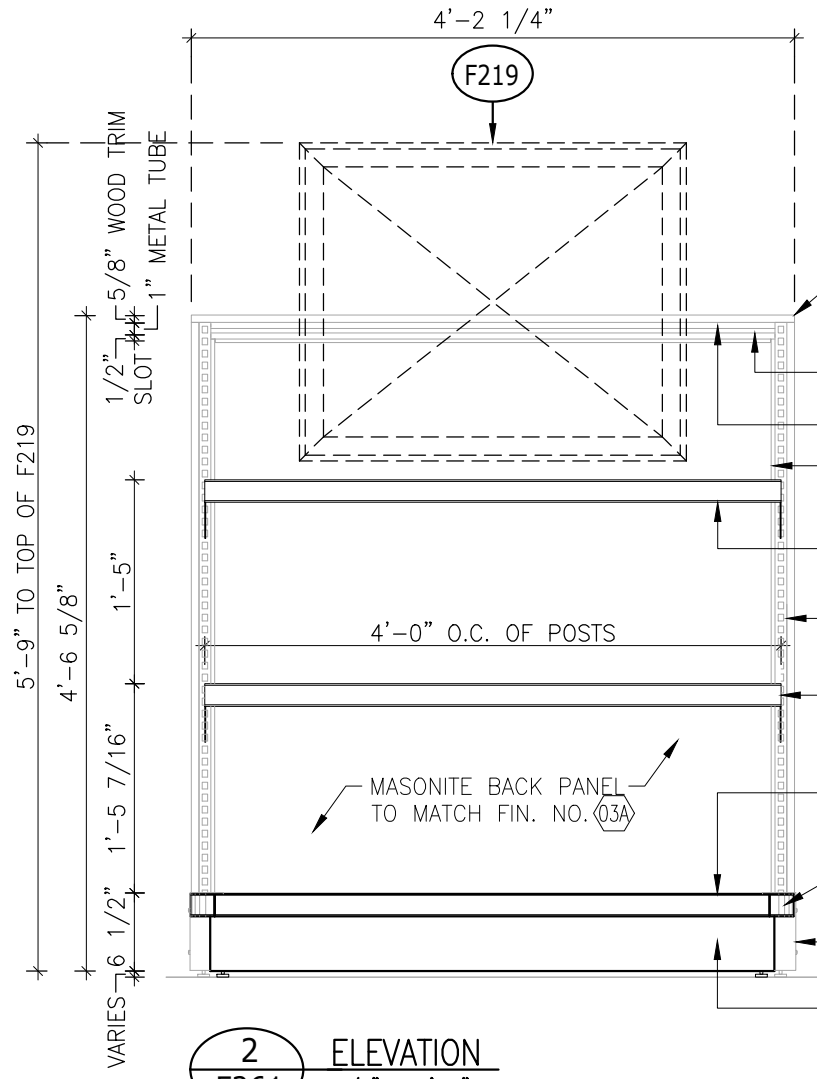
HEAVY DUTY METAL SHELVING C/W CURVED
METAL TICKET HOLDER ON H.D. METAL
BRACKETS ALL IN FIN. NO. (24)



NOTE:
NO VISIBLE HOLES
IN FRONT OF
TICKET HOLDER

METAL SHELF & BRACKET
FIN. NO. (24) BY METAL
SHELVING SUPPLIER

4 DETAIL
F261 6" = 1'-0"



2 ELEVATION
F261 3/4" = 1'-0"

1 1/2" x 1 1/4" HARDWOOD EDGE W/ AUTOMOTIVE PAINT
FINISH TO MATCH FIN. NO. (24) BY METAL SHELVING SUPPLIER

METAL CHANNEL FIN. NO. (24) BY METAL SHELVING SUPPLIER
TO ACCOMMODATE SLATWALL-TYPE HARDWARE

1" HIGH METAL TUBE FIN. (24) BY METAL SHELVING SUPPLIER

METAL 'U'-CHANNEL BY METAL SHELVING SUPPLIER FIN. NO. (24)

48" WIDE x 18" CURVED METAL SHELF W/ 1 3/4" HIGH METAL
TICKET MOULDING BY METAL SHELVING SUPPLIER FIN. NO. (24)

2 3/4" x 1 1/2" HEAVY-DUTY SLOTTED METAL POST (SLOTS AT
1" O.C. TYP.) FIN. NO. (24) BY METAL SHELVING SUPPLIER

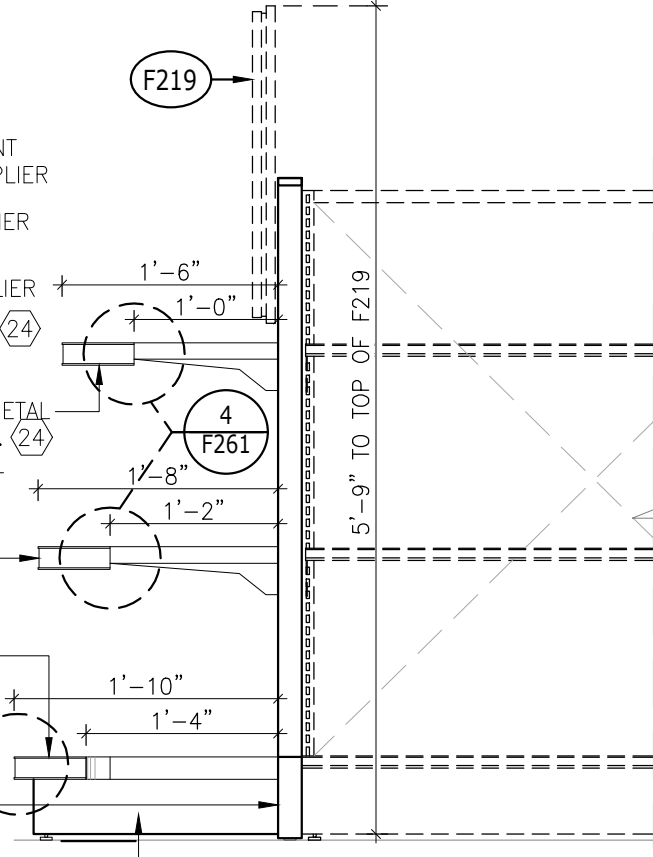
48" WIDE x 20" CURVED METAL SHELF W/ 1 3/4" HIGH
METAL TICKET MOULDING BY METAL SHELVING
SUPPLIER FIN. NO. (24)

REMOVABLE METAL PLATFORM FIN. NO. (24) C/W CURVED METAL
TICKET MOULDING FIN. NO. (24) BY METAL SHELVING SUPPLIER

2" RADIUS TO METAL CORNER
FIN. NO. (24)

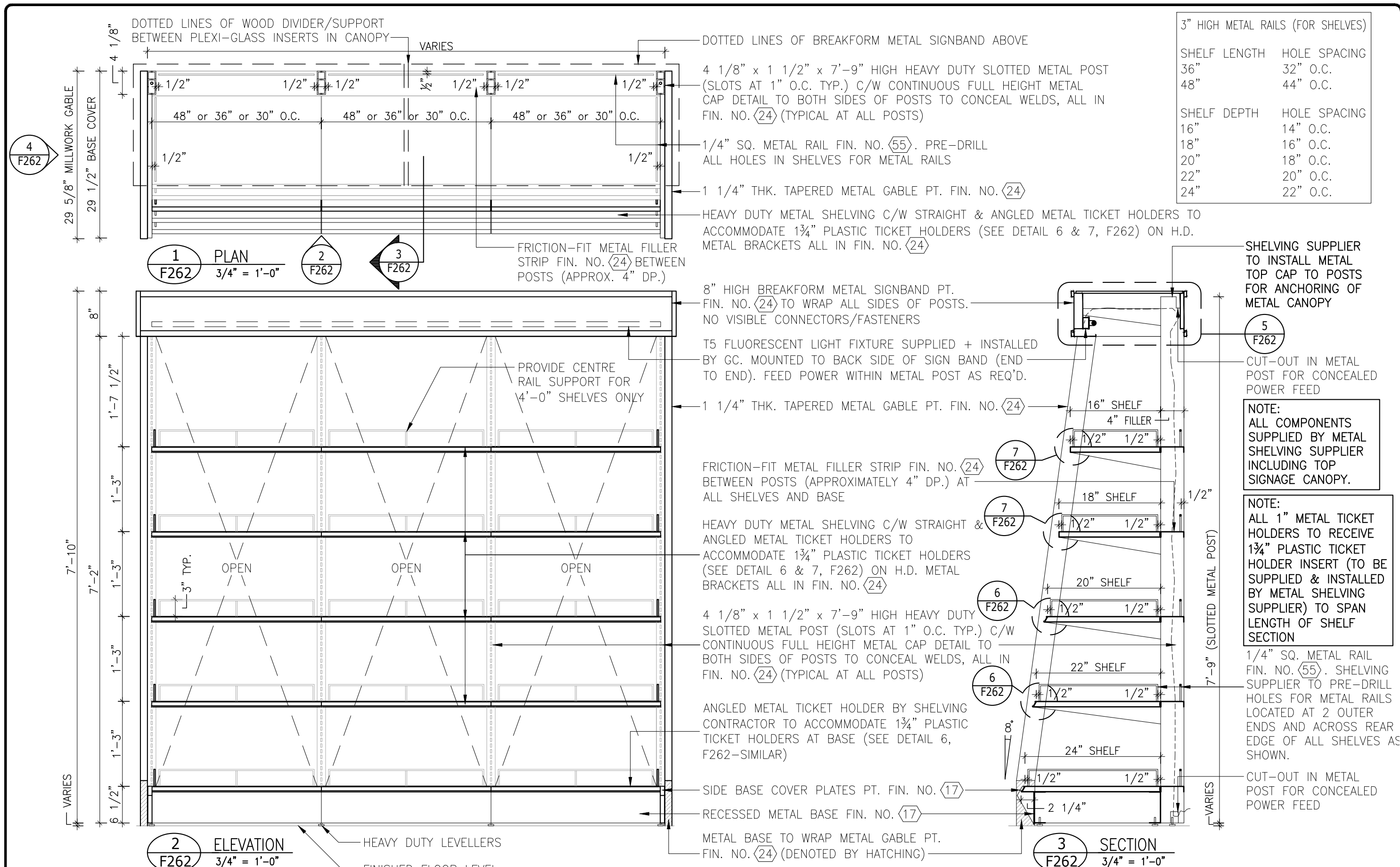
METAL 'U'-SHAPED CORNER GUARD FIN. NO. (24)

RECESSED METAL BASE FIN. NO. (17)

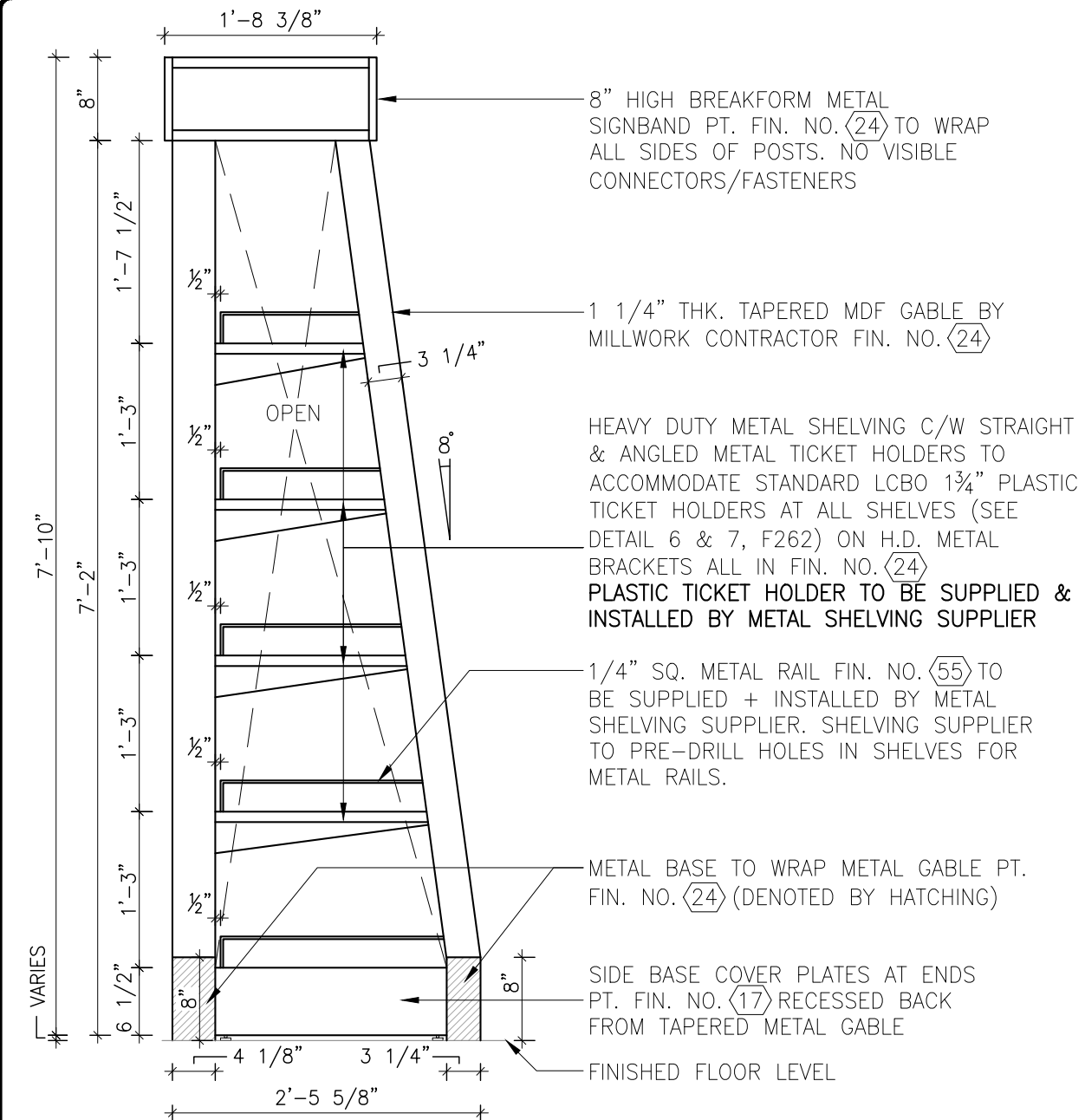


3 ELEVATION
F261 3/4" = 1'-0"

LCBO	200 GENERAL LIST	REVISION DATE	REV.	1 of 1	ISSUE DATE	STORE TYPE	STORE #
	METAL GONDOLA PROMO END	2021 MAR	17	F261	2021 APR		



LCBO	200 GENERAL LIST	REVISION DATE	REV.	1 of 2	ISSUE DATE	STORE TYPE	STORE #
	DOUBLE SIDED GIFT/SPIRITS FIXTURE WITH METAL SHELVES (ILLUMINATED) (7'-10" H.)	2021 MAR.	17	F262	2021 APR		



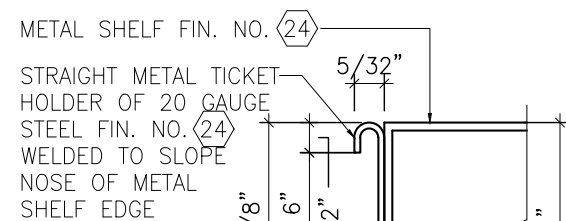
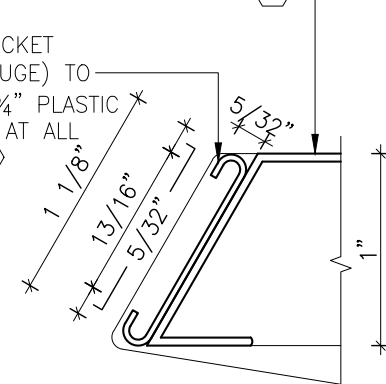
4 ELEVATION
F262 3/4" = 1'-0"

HEAVY DUTY METAL SHELVING C/W ANGLED METAL TICKET HOLDERS ON H.D. METAL BRACKETS ALL IN FIN. NO. (24)

ANGLED METAL TICKET HOLDERS (20 GAUGE) TO ACCOMMODATE 1 3/4" PLASTIC TICKET HOLDERS AT ALL SHELVES FIN. NO. (24)

METAL SHELVING SUPPLIER TO SUPPLY & INSTALL PLASTIC TICKET HOLDER

6 ANGLED METAL TICKET HOLDER DETAIL
F262 FULL SCALE



NOTE: NO VISIBLE HOLES IN FRONT OF TICKET HOLDER

7 STRAIGHT METAL TICKET HOLDER DETAIL
F262 FULL SCALE

NOTE:
ALL COMPONENTS SUPPLIED BY METAL SHELVING SUPPLIER INCLUDING TOP SIGNAGE CANOPY.

NOTE:
METAL SHELVING SUPPLIER TO ENSURE THAT FIXTURE IS CONSTRUCTED SO THAT LIGHT FIXTURES CAN BE SERVICED AND/OR REMOVED WITHOUT DISMANTLING FIXTURE

3/8" THK. FROSTED PLEXI-GLASS INSERTS ON RUBBER CUSHIONS BY MILLWORK CONTRACTOR

8" HIGH BREAKFORM METAL SIGNBAND PT. FIN. NO. (24) TO WRAP ALL SIDES OF POSTS. NO VISIBLE CONNECTORS/FASTENERS

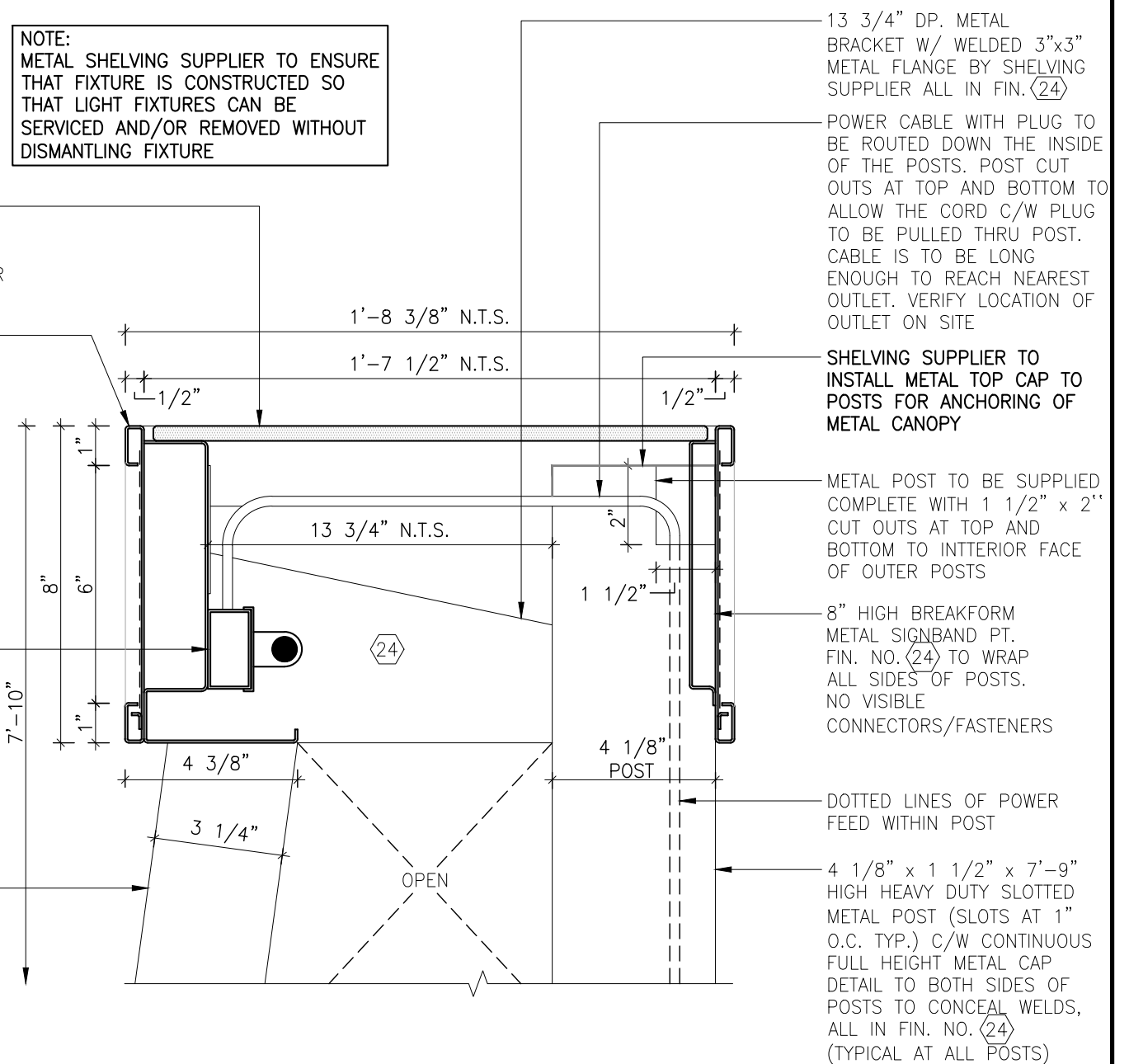
T5 FLUORESCENT LIGHT FIXTURE SUPPLIED + INSTALLED BY GC MOUNTED TO BACK SIDE OF SIGN BAND (END TO END). CONCEAL POWER FEED WITHIN METAL POST AS REQUIRED

1 1/4" x 3 1/4" TAPERED METAL POST PT. FIN. NO. (24)

5 DETAIL
F262 3" = 1'-0"

GENERAL NOTES

- DIMENSIONS SHOWN REFLECT SHELF & BASE DIMENSIONS ONLY & DO NOT TAKE METAL TICKET HOLDERS INTO ACCOUNT
- ALL ADJUSTMENTS TO COMPENSATE FOR NON-LEVEL FLOOR SURFACES TO BE MADE AT BOTTOM END OF POST
- GC TO CO-ORDINATE METAL SHELF INSTALLATION
- METAL SHELVING SUPPLIER TO OBTAIN SIGNAGE SAMPLE FROM LCBO PRIOR TO FABRICATION TO ENSURE PROPER FIT OF SIGNAGE INSERT
- ENSURE ALL SHELVES ARE IN EXACT ALIGNMENT AND ARE TRUE & LEVEL. PERFORATED SHELVES ARE NOT ACCEPTABLE. SHELVES TO SUPPORT LOAD CAPACITY OF 500LBS
- ALL METAL SHELVING COMPONENTS TO BE SUPPLIED TO SHELVING SUPPLIER. METAL SHELVING SUPPLIER RESPONSIBLE FOR FINAL ASSEMBLY ON-SITE.



13 3/4" DP. METAL BRACKET W/ WELDED 3"x3" METAL FLANGE BY SHELVING SUPPLIER ALL IN FIN. (24)

POWER CABLE WITH PLUG TO BE ROUTED DOWN THE INSIDE OF THE POSTS. POST CUT OUTS AT TOP AND BOTTOM TO ALLOW THE CORD C/W PLUG TO BE PULLED THRU POST. CABLE IS TO BE LONG ENOUGH TO REACH NEAREST OUTLET. VERIFY LOCATION OF OUTLET ON SITE

SHELVING SUPPLIER TO INSTALL METAL TOP CAP TO POSTS FOR ANCHORING OF METAL CANOPY

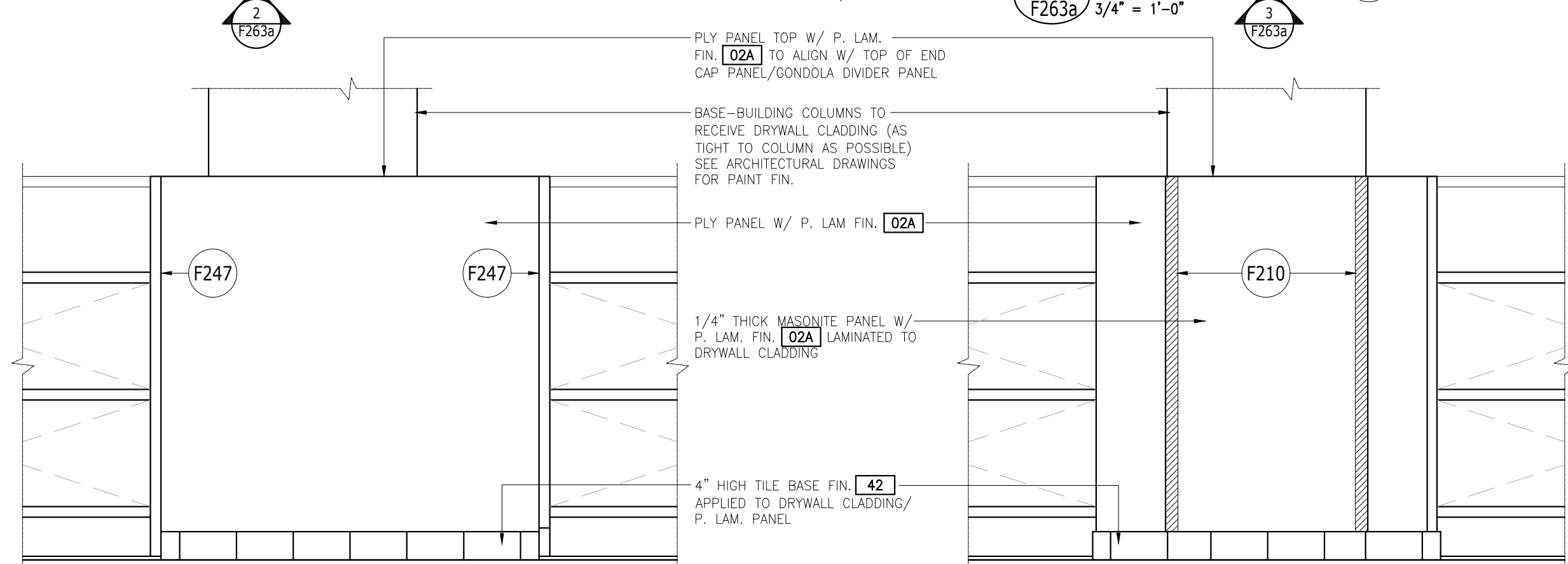
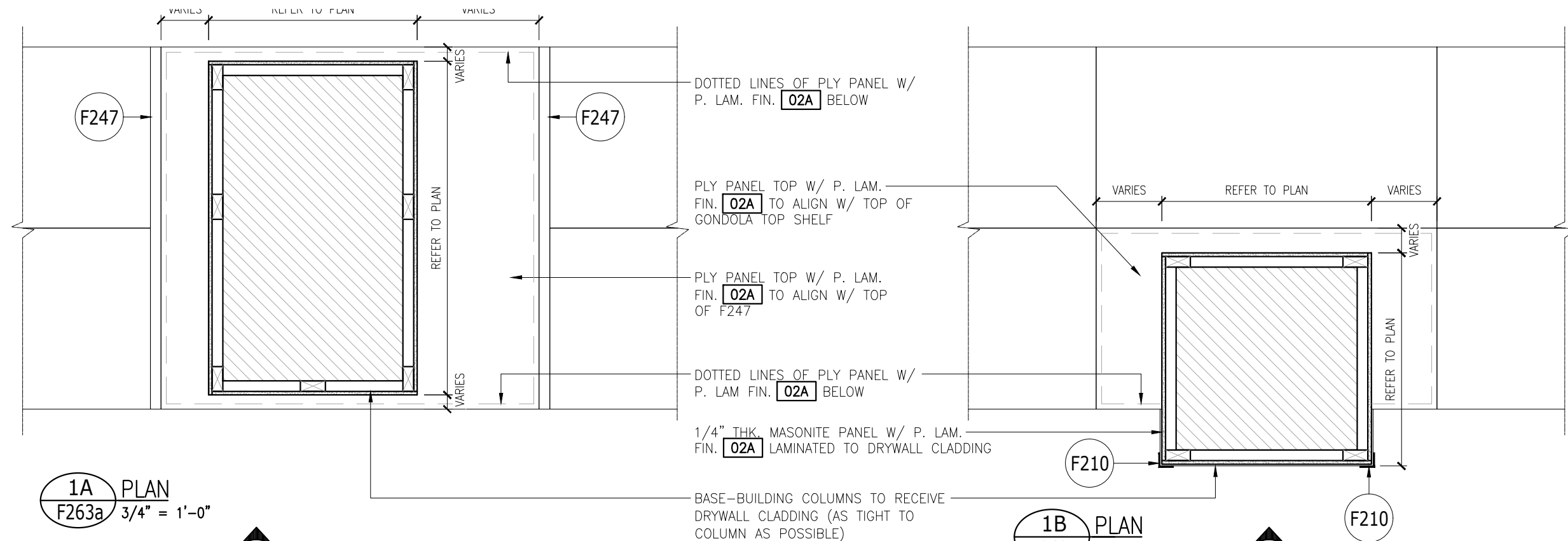
METAL POST TO BE SUPPLIED COMPLETE WITH 1 1/2" x 2" CUT OUTS AT TOP AND BOTTOM TO INTERIOR FACE OF OUTER POSTS

8" HIGH BREAKFORM METAL SIGNBAND PT. FIN. NO. (24) TO WRAP ALL SIDES OF POSTS. NO VISIBLE CONNECTORS/FASTENERS

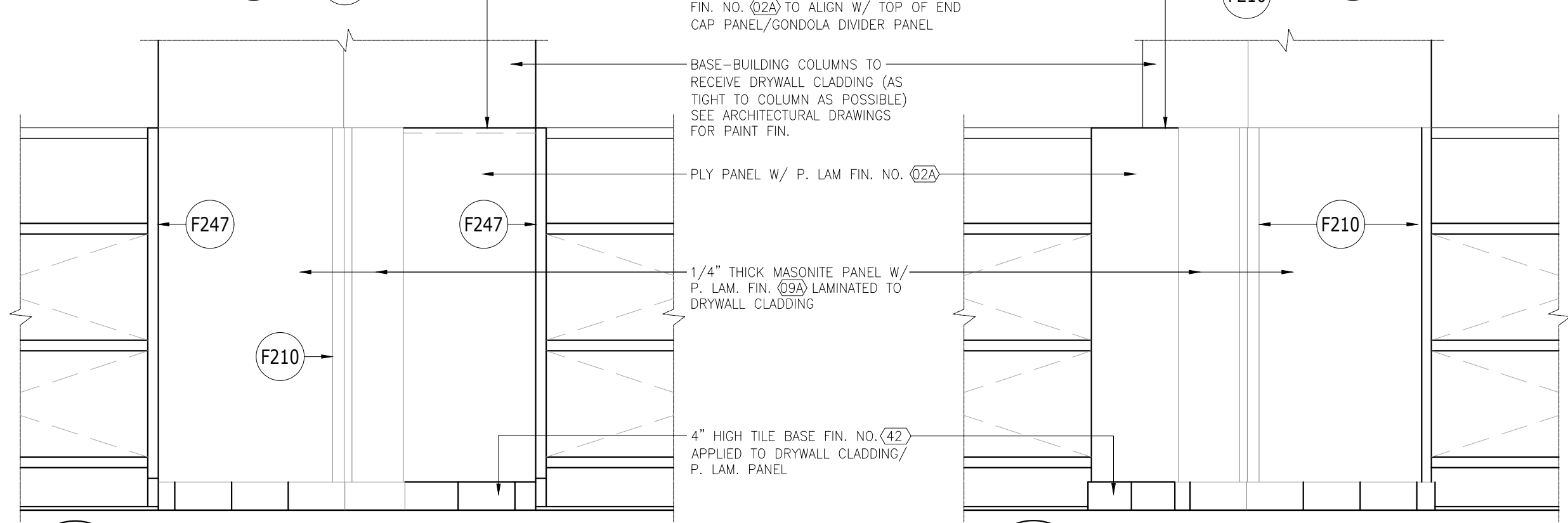
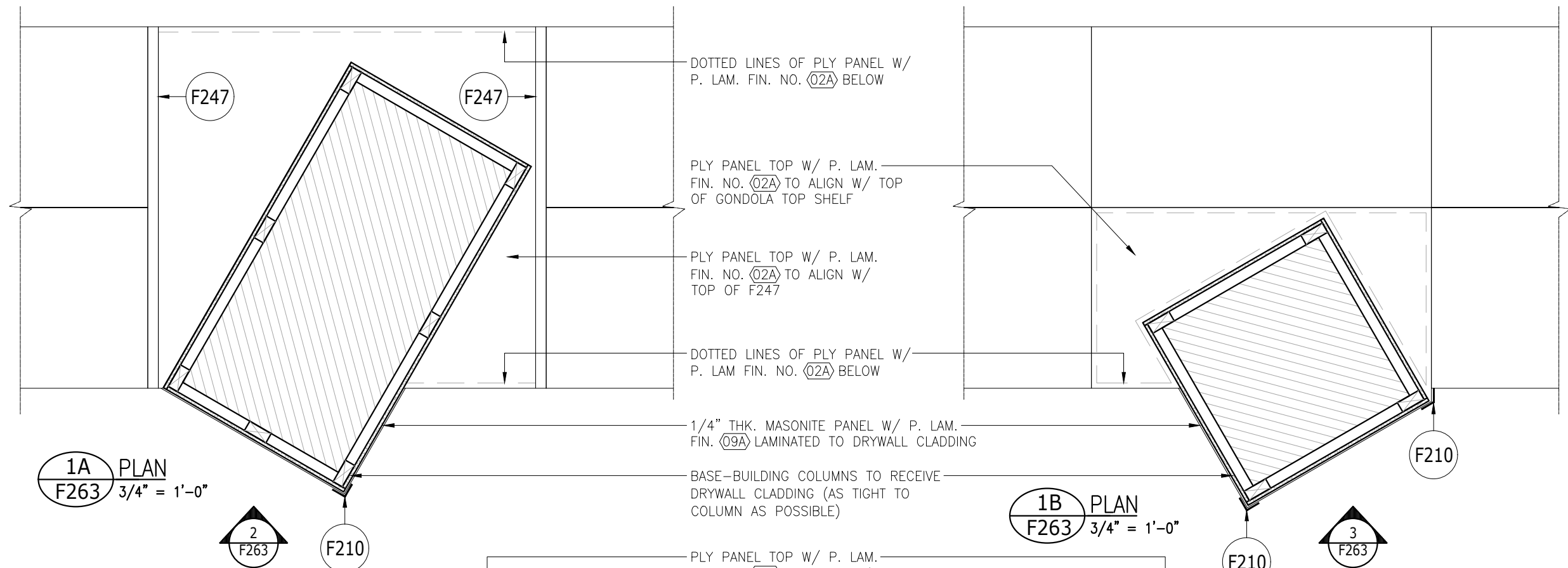
DOTTED LINES OF POWER FEED WITHIN POST

4 1/8" x 1 1/2" x 7'-9" HIGH HEAVY DUTY SLOTTED METAL POST (SLOTS AT 1" O.C. TYP.) C/W CONTINUOUS FULL HEIGHT METAL CAP DETAIL TO BOTH SIDES OF POSTS TO CONCEAL WELDS, ALL IN FIN. NO. (24) (TYPICAL AT ALL POSTS)

LCBO	200 GENERAL LIST	REVISION DATE	REV.	2 of 2	ISSUE DATE	STORE TYPE	STORE #
	DOUBLE SIDED GIFT/SPIRITS FIXTURE WITH METAL SHELVES (ILLUMINATED) (7'-10" H.)	2021 MAR.	17	F262	2021 APR		



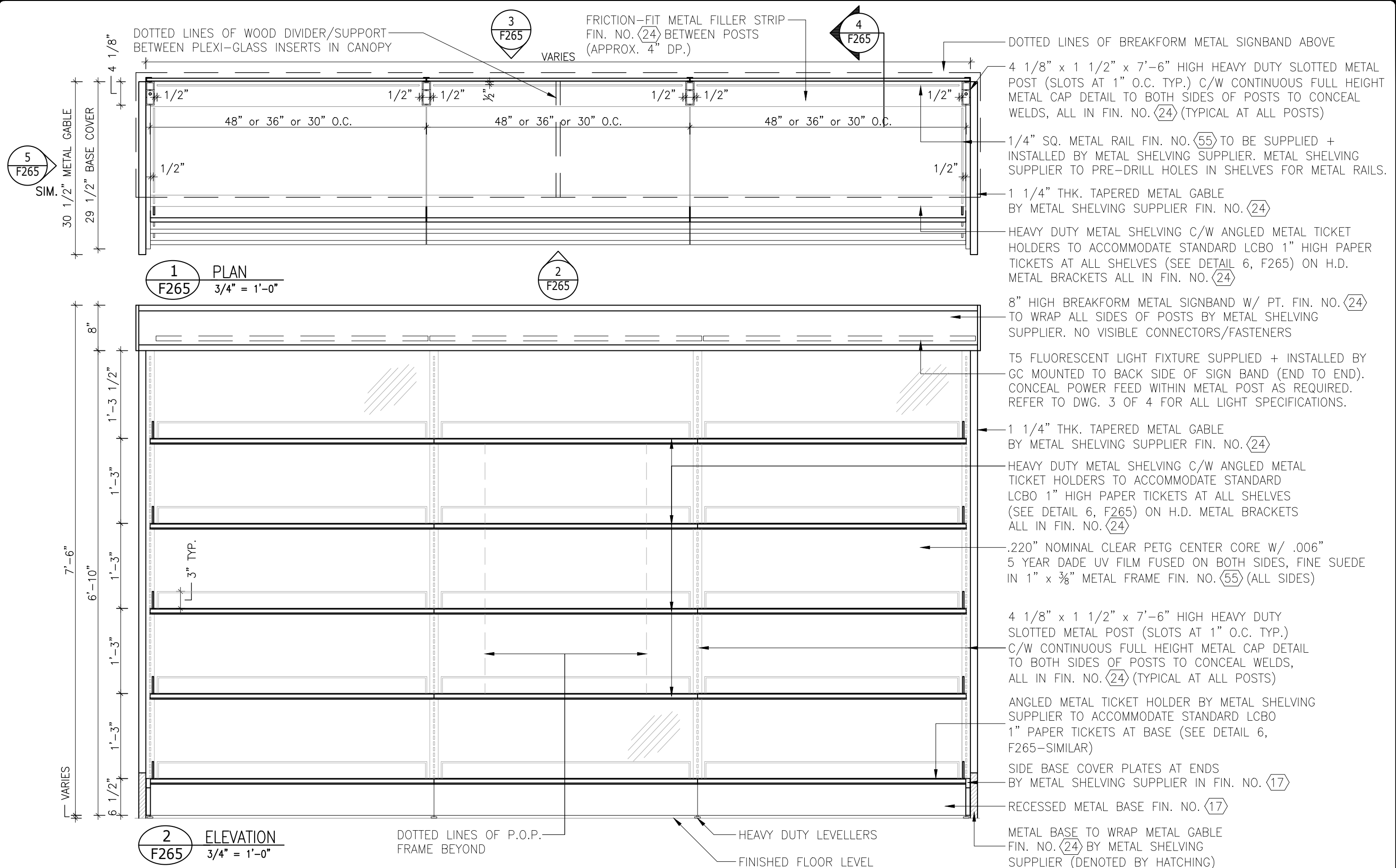
LCBO	B200 GENERAL LIST	REVISION DATE	REV.	1 of 1	ISSUE DATE	STORE TYPE	STORE #
	WAINSCOTING DETAILS AT BASE-BUILDING COLUMNS			F263a	2021 APR		



LCBO	200 GENERAL LIST	REVISION DATE	REV.	1 of 1	ISSUE DATE	STORE TYPE	STORE #
	WAINSCOTING DETAILS AT BASE-BUILDING COLUMNS	2021 MAR	17	F263	2021 APR		

RESERVED

LCBO	200 GENERAL LIST	REV. DATE	REV.	ISSUE DATE	STORE TYPE	STORE #
		2021 MAR	17	F264	2021 APR	

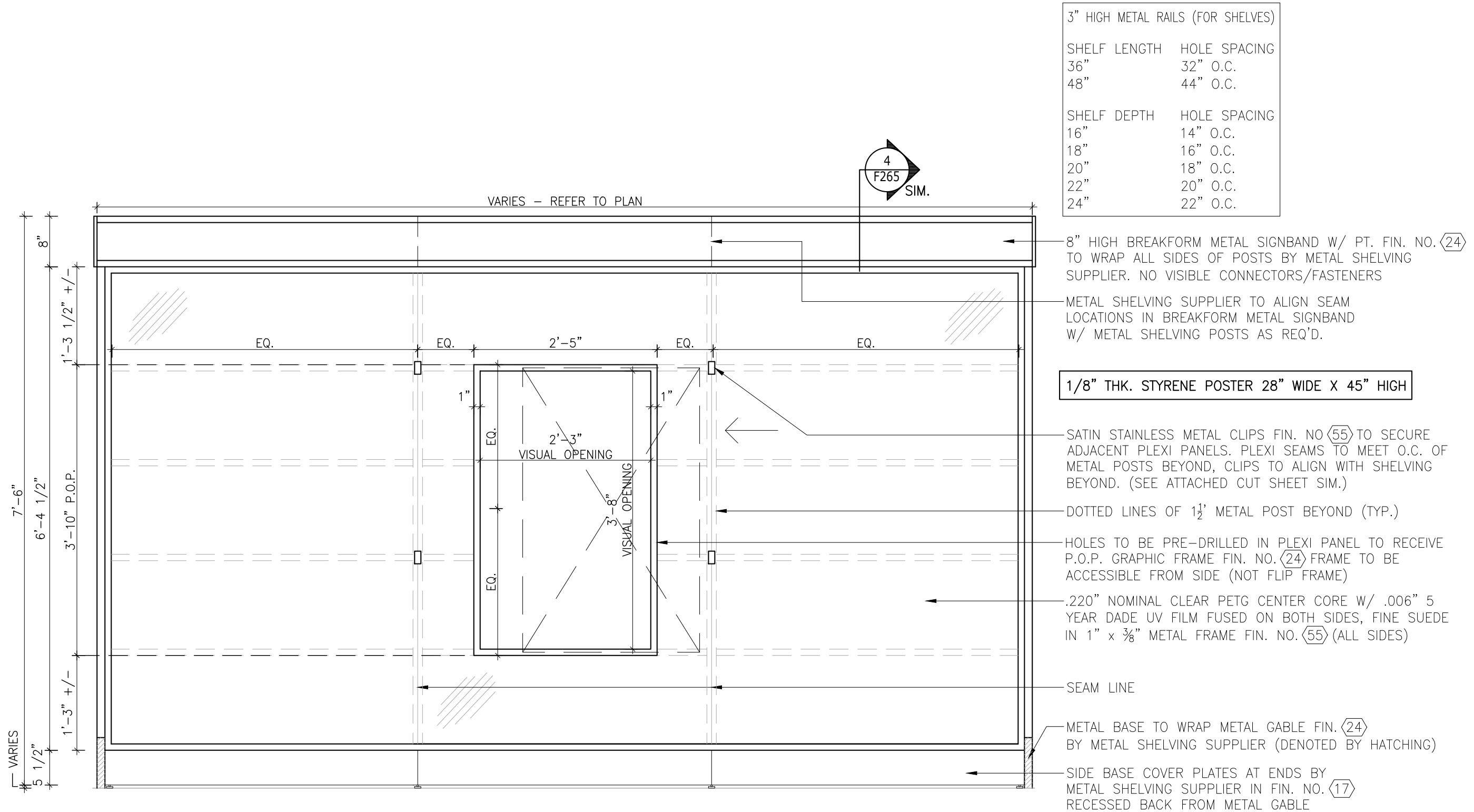


1 PLAN
F265 3/4" = 1'-0"

2 ELEVATION
F265 3/4" = 1'-0"

- DOTTED LINES OF WOOD DIVIDER/SUPPORT BETWEEN PLEXI-GLASS INSERTS IN CANOPY
- FRICION-FIT METAL FILLER STRIP FIN. NO. (24) BETWEEN POSTS (APPROX. 4" DP.)
- DOTTED LINES OF BREAKFORM METAL SIGNBAND ABOVE
- 4 1/8" x 1 1/2" x 7'-6" HIGH HEAVY DUTY SLOTTED METAL POST (SLOTS AT 1" O.C. TYP.) C/W CONTINUOUS FULL HEIGHT METAL CAP DETAIL TO BOTH SIDES OF POSTS TO CONCEAL WELDS, ALL IN FIN. NO. (24) (TYPICAL AT ALL POSTS)
- 1/4" SQ. METAL RAIL FIN. NO. (55) TO BE SUPPLIED + INSTALLED BY METAL SHELVING SUPPLIER. METAL SHELVING SUPPLIER TO PRE-DRILL HOLES IN SHELVES FOR METAL RAILS.
- 1 1/4" THK. TAPERED METAL GABLE BY METAL SHELVING SUPPLIER FIN. NO. (24)
- HEAVY DUTY METAL SHELVING C/W ANGLED METAL TICKET HOLDERS TO ACCOMMODATE STANDARD LCBO 1" HIGH PAPER TICKETS AT ALL SHELVES (SEE DETAIL 6, F265) ON H.D. METAL BRACKETS ALL IN FIN. NO. (24)
- 8" HIGH BREAKFORM METAL SIGNBAND W/ PT. FIN. NO. (24) TO WRAP ALL SIDES OF POSTS BY METAL SHELVING SUPPLIER. NO VISIBLE CONNECTORS/FASTENERS
- T5 FLUORESCENT LIGHT FIXTURE SUPPLIED + INSTALLED BY GC MOUNTED TO BACK SIDE OF SIGN BAND (END TO END). CONCEAL POWER FEED WITHIN METAL POST AS REQUIRED. REFER TO DWG. 3 OF 4 FOR ALL LIGHT SPECIFICATIONS.
- 1 1/4" THK. TAPERED METAL GABLE BY METAL SHELVING SUPPLIER FIN. NO. (24)
- HEAVY DUTY METAL SHELVING C/W ANGLED METAL TICKET HOLDERS TO ACCOMMODATE STANDARD LCBO 1" HIGH PAPER TICKETS AT ALL SHELVES (SEE DETAIL 6, F265) ON H.D. METAL BRACKETS ALL IN FIN. NO. (24)
- .220" NOMINAL CLEAR PETG CENTER CORE W/ .006" 5 YEAR DADE UV FILM FUSED ON BOTH SIDES, FINE SUEDE IN 1" x 3/8" METAL FRAME FIN. NO. (55) (ALL SIDES)
- 4 1/8" x 1 1/2" x 7'-6" HIGH HEAVY DUTY SLOTTED METAL POST (SLOTS AT 1" O.C. TYP.) C/W CONTINUOUS FULL HEIGHT METAL CAP DETAIL TO BOTH SIDES OF POSTS TO CONCEAL WELDS, ALL IN FIN. NO. (24) (TYPICAL AT ALL POSTS)
- ANGLED METAL TICKET HOLDER BY METAL SHELVING SUPPLIER TO ACCOMMODATE STANDARD LCBO 1" PAPER TICKETS AT BASE (SEE DETAIL 6, F265-SIMILAR)
- SIDE BASE COVER PLATES AT ENDS BY METAL SHELVING SUPPLIER IN FIN. NO. (17)
- RECESSED METAL BASE FIN. NO. (17)
- METAL BASE TO WRAP METAL GABLE FIN. NO. (24) BY METAL SHELVING SUPPLIER (DENOTED BY HATCHING)

LCBO	200 GENERAL LIST	REVISION DATE	REV.	1 of 4	ISSUE DATE	STORE TYPE	STORE #
	DOUBLE-SIDED GIFT/SPIRITS FIXTURE WITH U.V. PETG PANEL & GRAPHIC (7'-6" H.)	2021 MAR	17	F265	2021 APR		



3" HIGH METAL RAILS (FOR SHELVES)	
SHELF LENGTH	HOLE SPACING
36"	32" O.C.
48"	44" O.C.
SHELF DEPTH	HOLE SPACING
16"	14" O.C.
18"	16" O.C.
20"	18" O.C.
22"	20" O.C.
24"	22" O.C.

3 ELEVATION
F265 3/4" = 1'-0"

- 8" HIGH BREAKFORM METAL SIGNBAND W/ PT. FIN. NO. (24) TO WRAP ALL SIDES OF POSTS BY METAL SHELVING SUPPLIER. NO VISIBLE CONNECTORS/FASTENERS
- METAL SHELVING SUPPLIER TO ALIGN SEAM LOCATIONS IN BREAKFORM METAL SIGNBAND W/ METAL SHELVING POSTS AS REQ'D.
- 1/8" THK. STYRENE POSTER 28" WIDE X 45" HIGH
- SATIN STAINLESS METAL CLIPS FIN. NO. (55) TO SECURE ADJACENT PLEXI PANELS. PLEXI SEAMS TO MEET O.C. OF METAL POSTS BEYOND, CLIPS TO ALIGN WITH SHELVING BEYOND. (SEE ATTACHED CUT SHEET SIM.)
- DOTTED LINES OF 1/2' METAL POST BEYOND (TYP.)
- HOLES TO BE PRE-DRILLED IN PLEXI PANEL TO RECEIVE P.O.P. GRAPHIC FRAME FIN. NO. (24) FRAME TO BE ACCESSIBLE FROM SIDE (NOT FLIP FRAME)
- .220" NOMINAL CLEAR PETG CENTER CORE W/ .006" 5 YEAR DADE UV FILM FUSED ON BOTH SIDES, FINE SUEDE IN 1" x 3/8" METAL FRAME FIN. NO. (55) (ALL SIDES)
- SEAM LINE
- METAL BASE TO WRAP METAL GABLE FIN. (24) BY METAL SHELVING SUPPLIER (DENOTED BY HATCHING)
- SIDE BASE COVER PLATES AT ENDS BY METAL SHELVING SUPPLIER IN FIN. NO. (17) RECESSED BACK FROM METAL GABLE

NOTE:
METAL SHELVING SUPPLIER TO SUGGEST BEST METHOD OF FASTENING OF P.O.P FRAME TO ACRYLIC

LCBO	200 GENERAL LIST	REVISION DATE	REV.	2 of 4	ISSUE DATE	STORE TYPE	STORE #
	DOUBLE-SIDED GIFT/SPIRITS FIXTURE WITH U.V. PETG PANEL & GRAPHIC (7'-6" H.)	2021 MAR	17	F265	2021 APR		

CUT-OUT IN METAL POST FOR CONCEALED POWER FEED

8" HIGH BREAKFORM METAL SIGNBAND W/ PT. FIN. NO. (24) TO WRAP ALL SIDES OF POSTS BY SHELVING SUPPLIER. NO VISIBLE CONNECTORS/FASTENERS

T5 FLUORESCENT LIGHT FIXTURE SUPPLIED + INSTALLED BY GC MOUNTED TO BACK SIDE OF SIGN BAND (END TO END). CONCEAL POWER FEED WITHIN METAL POST AS REQUIRED. REFER TO DWG. 3 OF 4 FOR ALL LIGHT SPECIFICATIONS.

1 1/4" THK. TAPERED METAL GABLE BY SHELVING SUPPLIER FIN. NO. (24)

FRICTION-FIT METAL FILLER STRIP FIN. NO. (24) BETWEEN POSTS (APPROXIMATELY 4" DP.) AT ALL SHELVES AND BASE

HEAVY DUTY METAL SHELVING C/W ANGLED METAL TICKET HOLDERS TO ACCOMMODATE STANDARD LCBO 1" HIGH STRAIGHT PAPER TICKETS AT ALL SHELVES (SEE DETAIL 6, F265) ON H.D. METAL BRACKETS ALL IN FIN. NO. (24)

4 1/8" x 1 1/2" x 7'-6" HIGH HEAVY DUTY SLOTTED METAL POST (SLOTS AT 1" O.C. TYP.) C/W CONTINUOUS FULL HEIGHT METAL CAP DETAIL TO BOTH SIDES OF POSTS TO CONCEAL WELDS ALL IN FIN. NO. (24) (TYPICAL AT ALL POSTS)

ANGLED METAL TICKET HOLDER BY SHELVING CONTRACTOR TO ACCOMMODATE STANDARD LCBO 1" PAPER TICKETS AT BASE (SEE DETAIL 6, F265-SIMILAR)

SIDE BASE COVER PLATES AT ENDS BY SHELVING SUPPLIER IN FIN. NO. (17)

RECESSED METAL BASE FIN. NO. (17)

METAL BASE TO WRAP METAL GABLE FIN. (24) BY SHELVING SUPPLIER (DENOTED BY HATCHING)

SHELVING SUPPLIER TO INSTALL METAL TOP CAP TO POSTS FOR ANCHORING OF BREAKFORM METAL CANOPY

8" H. BREAKFORM METAL SIGNBAND WITH PT. FIN. NO. (24) TO WRAP ALL SIDES OF POSTS BY SHELVING SUPPLIER. NO VISIBLE CONNECTORS/FASTENERS

HOLES TO BE PRE-DRILLED IN PLEXI PANEL TO RECEIVE P.O.P. GRAPHIC FRAME FIN. NO. (24) FRAME TO BE ACCESSIBLE FROM SIDE (NOT FLIP FRAME)

HEAVY DUTY METAL SHELVING C/W ANGLED METAL TICKET HOLDERS TO ACCOMMODATE STANDARD LCBO 1" HIGH PAPER TICKETS AT ALL SHELVES (SEE DETAIL 6, F265) ON H.D. METAL BRACKETS ALL IN FIN. NO. (24)

1/4" SQ. METAL RAIL FIN. NO. (55) TO BE SUPPLIED + INSTALLED BY METAL SHELVING SUPPLIER. METAL SHELVING SUPPLIER TO PRE-DRILL HOLES IN SHELVES FOR METAL RAILS LOCATED AT 2 OUTER ENDS AND ACROSS REAR EDGE OF ALL SHELVES AS SHOWN.

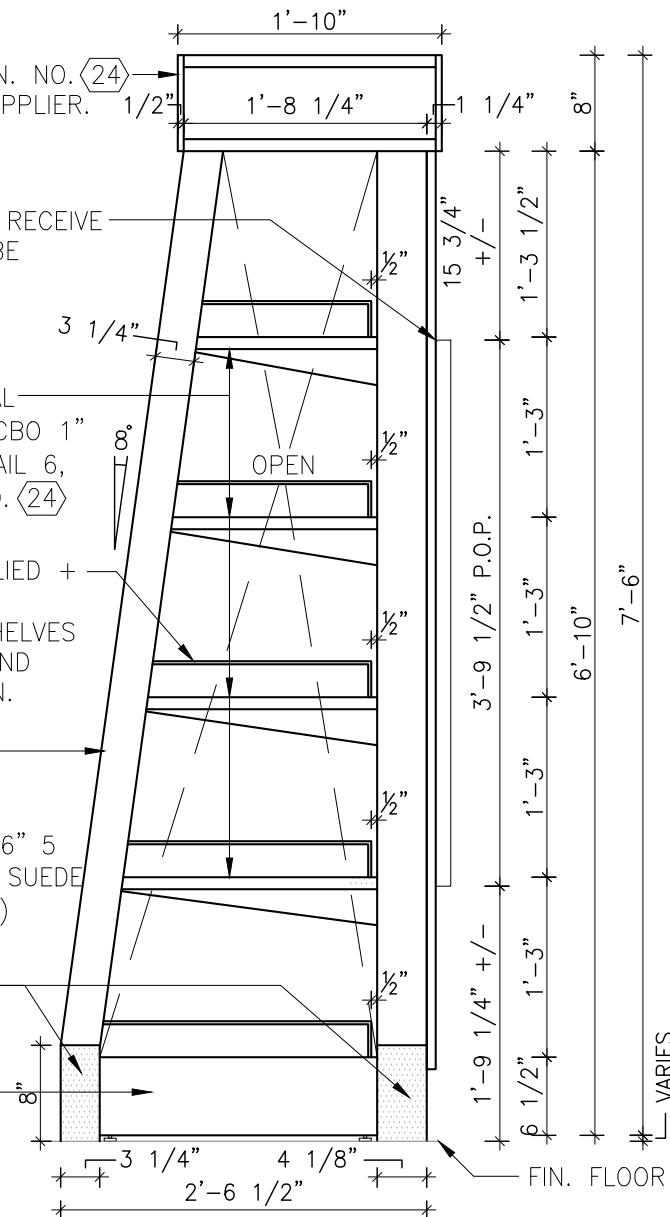
1 1/4" THK. TAPERED METAL GABLE BY METAL SHELVING SUPPLIER FIN. NO. (24)

.220" NOMINAL CLEAR PETG CENTER CORE W/ .006" 5 YEAR DADE UV FILM FUSED ON BOTH SIDES, FINE SUEDE IN 1" x 3/8" METAL FRAME FIN. NO. (55) (ALL SIDES)

METAL BASE TO WRAP METAL GABLE FIN. (24) BY METAL SHELVING SUPPLIER (DENOTED BY HATCHING)

SIDE BASE COVER PLATES AT ENDS BY SHELVING SUPPLIER IN FIN. NO. (17) RECESSED BACK FROM METAL GABLE

CUT-OUT IN METAL POST FOR CONCEALED POWER FEED

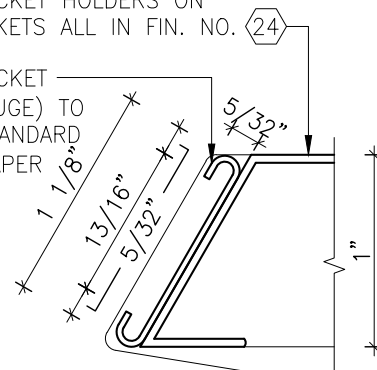


4 SECTION
F265 3/4" = 1'-0"

HEAVY DUTY METAL SHELVING C/W ANGLED METAL TICKET HOLDERS ON H.D. METAL BRACKETS ALL IN FIN. NO. (24)

ANGLED METAL TICKET HOLDERS (20 GAUGE) TO ACCOMMODATE STANDARD LCBO 1" HIGH PAPER TICKETS AT ALL SHELVES FIN. (24)

NOTE: NO VISIBLE HOLES IN FRONT OF TICKET HOLDER



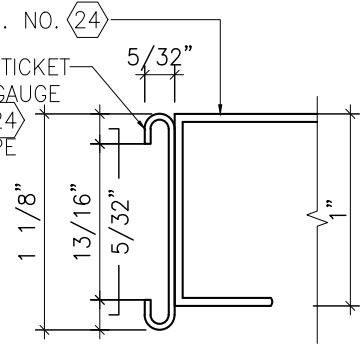
6 ANGLED METAL TICKET HOLDER DETAIL
F265 FULL SCALE

NOTE: ALL 1" METAL TICKET HOLDERS TO RECEIVE 1 3/4" PLASTIC TICKET HOLDER INSERT TO SPAN LENGTH OF SHELF SECTION

METAL SHELF FIN. NO. (24)

STRAIGHT METAL TICKET HOLDER OF 20 GAUGE STEEL FIN. NO. (24) WELDED TO SLOPE NOSE OF METAL SHELF EDGE

NOTE: NO VISIBLE HOLES IN FRONT OF TICKET HOLDER



7 STRAIGHT METAL TICKET HOLDER DETAIL
F265 FULL SCALE

5 ELEVATION
F265 3/4" = 1'-0"

NOTE:

ALL LIGHTING TO BE SUPPLIED + INSTALLED BY GC. COORDINATE CUT-OUT OPENING WITH METAL SHELVING SUPPLIER AS REQUIRED. ENSURE ALL WIRING IS CONCEALED FROM CUSTOMERS VIEW. GC TO COORDINATE WITH SUPPLIER TO ENSURE TIMELY DELIVERY OF LIGHTS TO SUIT THE CONSTRUCTION SCHEDULE.

LCBO	200 GENERAL LIST	REVISION DATE	REV.	3 of 4	ISSUE DATE	STORE TYPE	STORE #
	DOUBLE-SIDED GIFT/SPIRITS FIXTURE WITH U.V. PETG PANEL & GRAPHIC (7'-6" H.)	2021 MAR	17	F265	2021 APR		

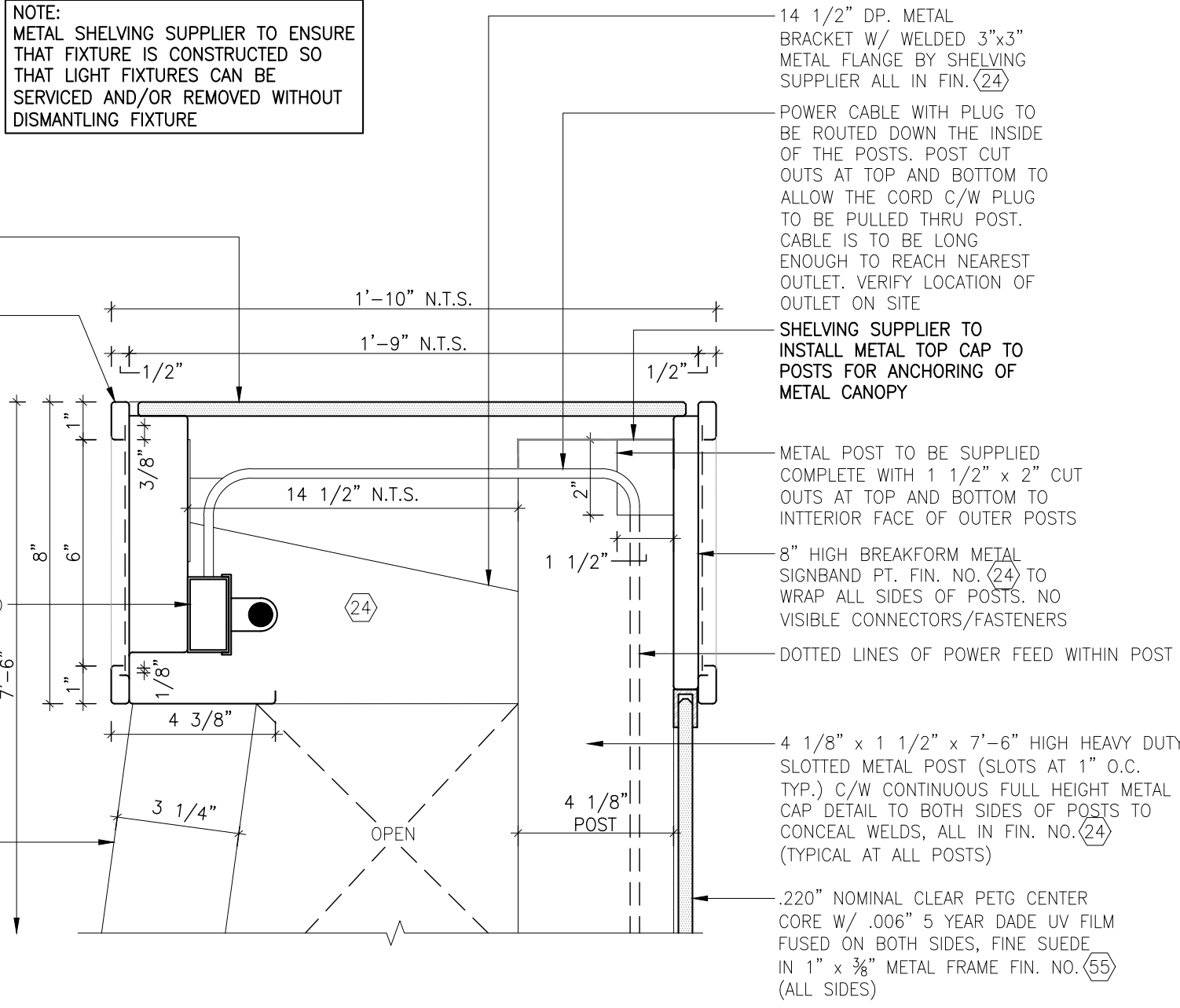
NOTE:
ALL COMPONENTS SUPPLIED BY METAL SHELVING SUPPLIER INCLUDING TOP SIGNAGE CANOPY.

NOTE:
METAL SHELVING SUPPLIER TO ENSURE THAT FIXTURE IS CONSTRUCTED SO THAT LIGHT FIXTURES CAN BE SERVICED AND/OR REMOVED WITHOUT DISMANTLING FIXTURE

3/8" THK. FROSTED PLEXI-GLASS INSERTS ON RUBBER CUSHIONS
8" HIGH BREAKFORM METAL SIGNBAND PT. FIN. NO. (24) TO WRAP ALL SIDES OF POSTS. NO VISIBLE CONNECTORS/FASTENERS

T5 FLUORESCENT LIGHT FIXTURE SUPPLIED + INSTALLED BY GC MOUNTED TO BACK SIDE OF SIGN BAND (END TO END). CONCEAL POWER FEED WITHIN METAL POST AS REQUIRED

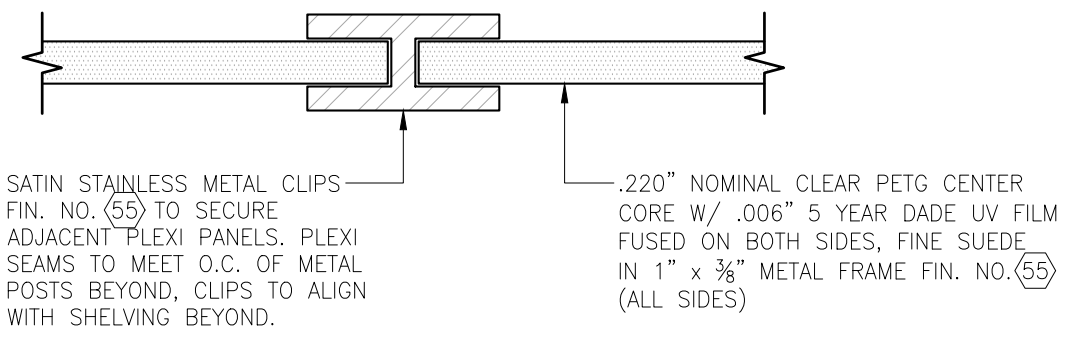
1 1/4" x 3 1/4" TAPERED METAL POST BY METAL SHELVING SUPPLIER PT. FIN. NO. (24)



8 DETAIL
F265 3" = 1'-0"

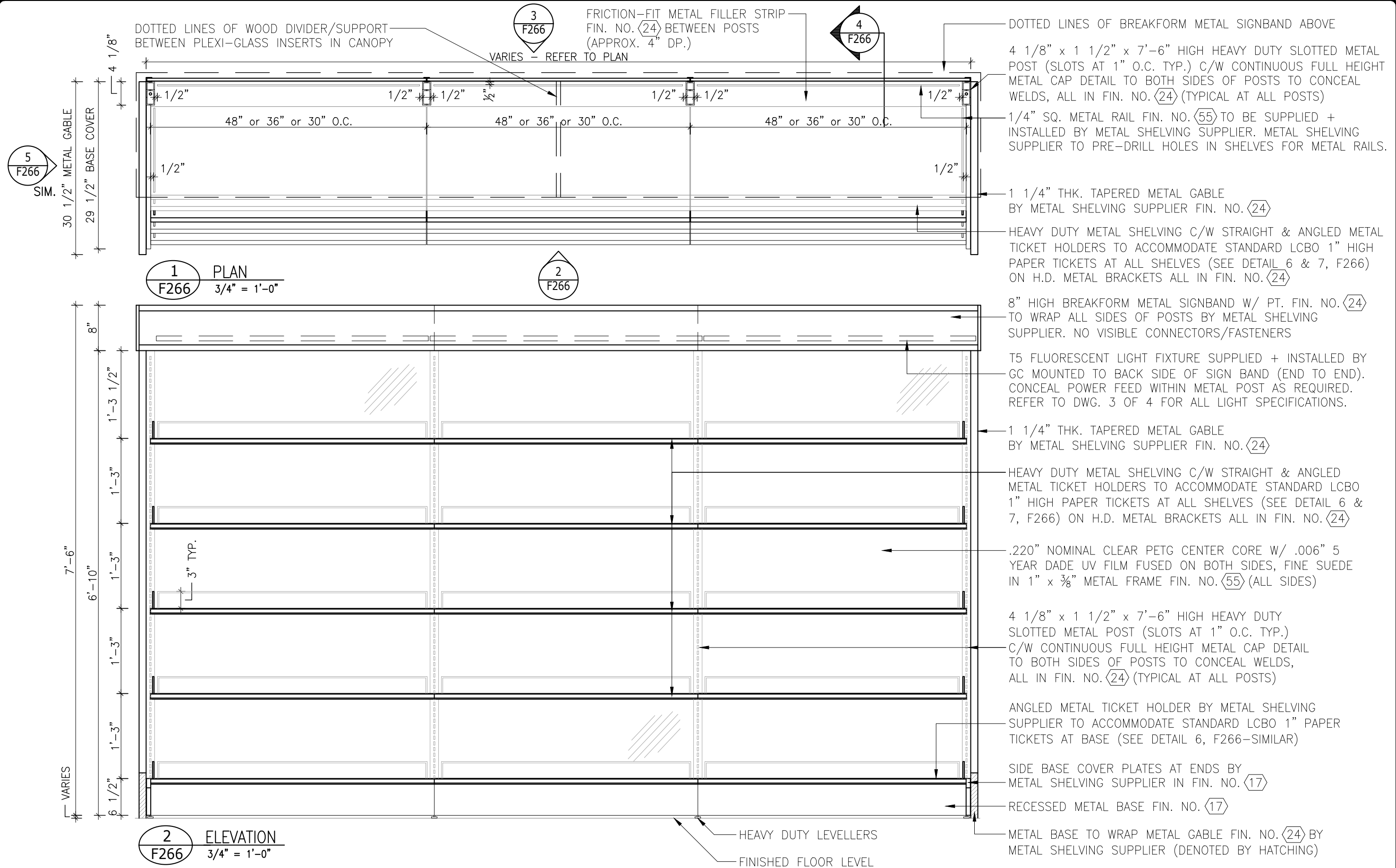
GENERAL NOTES

- DIMENSIONS SHOWN REFLECT SHELF & BASE DIMENSIONS ONLY & DO NOT TAKE METAL TICKET HOLDERS INTO ACCOUNT
- ALL ADJUSTMENTS TO COMPENSATE FOR NON-LEVEL FLOOR SURFACES TO BE MADE AT BOTTOM END OF POST
- GC TO CO-ORDINATE MILLWORK + METAL SHELF INSTALLATION
- MILLWORK CONTRACTOR TO OBTAIN SIGNAGE SAMPLE FROM LCBO PRIOR TO FABRICATION TO ENSURE PROPER FIT OF SIGNAGE INSERT
- SHELVING SUPPLIER TO OBTAIN 1" HIGH PAPER TICKET SAMPLE FROM LCBO PRIOR TO FABRICATION TO ENSURE PROPER FIT WITHIN TICKET MOULDING. SUBMIT SAMPLE FOR APPROVAL
- ENSURE ALL SHELVES ARE IN EXACT ALIGNMENT AND ARE TRUE & LEVEL. PERFORATED SHELVES ARE NOT ACCEPTABLE. SHELVES TO SUPPORT LOAD CAPACITY OF 500LBS
- ALL METAL SHELVING COMPONENTS TO BE SUPPLIED TO MILLWORK CONTRACTOR BY GC. MILLWORK CONTRACTOR RESPONSIBLE FOR FINAL ASSEMBLY ON-SITE.

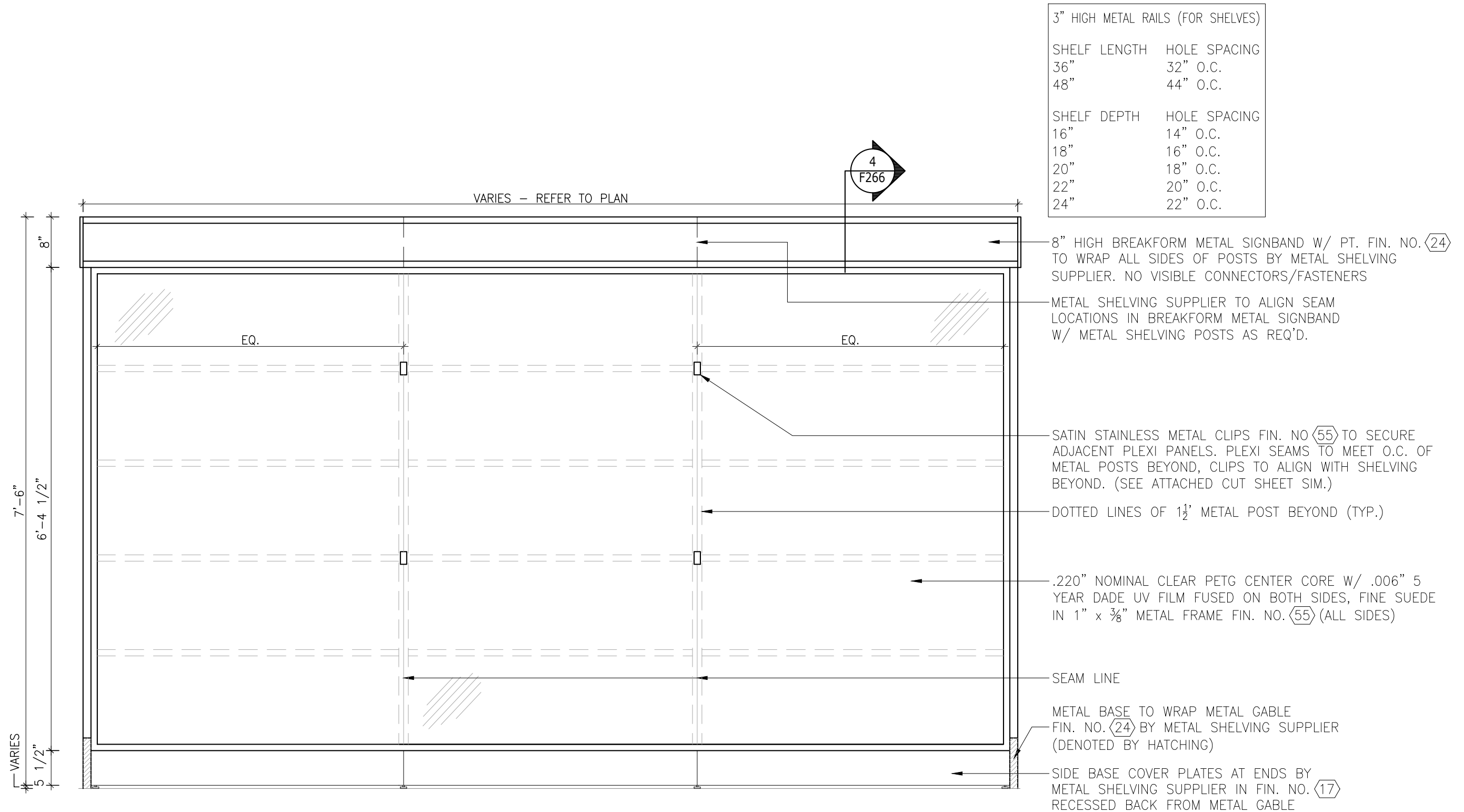


9 GLAZING CLIP DETAIL
F265 FULL SCALE

LCBO	200 GENERAL LIST	REVISION DATE	REV.	4 of 4	ISSUE DATE	STORE TYPE	STORE #
	DOUBLE-SIDED GIFT/SPIRITS FIXTURE WITH U.V. PETG PANEL & GRAPHIC (7'-6" H.)	2021 MAR	17	F265	2021 APR		



LCBO	200 GENERAL LIST	REVISION DATE	REV.	1 of 4	ISSUE DATE	STORE TYPE	STORE #
	DOUBLE-SIDED GIFT/SPIRITS FIXTURE WITH U.V. PETG PANEL (7'-6" H.)	2021 MAR	17	F266	2021 APR		



3 ELEVATION
F266 3/4" = 1'-0"

LCBO	200 GENERAL LIST	REVISION DATE	REV.	2 of 4	ISSUE DATE	STORE TYPE	STORE #
	DOUBLE-SIDED GIFT/SPIRITS FIXTURE WITH U.V. PETG PANEL (7'-6" H.)	2021 MAR	17	F266	2021 APR		

CUT-OUT IN METAL POST FOR CONCEALED POWER FEED

8" HIGH BREAKFORM METAL SIGNBAND W/ PT. FIN. NO. (24) TO WRAP ALL SIDES OF POSTS BY METAL SHELVING SUPPLIER. NO VISIBLE CONNECTORS/FASTENERS

T5 FLUORESCENT LIGHT FIXTURE SUPPLIED + INSTALLED BY GC MOUNTED TO BACK SIDE OF SIGN BAND (END TO END). CONCEAL POWER FEED WITHIN METAL POST AS REQUIRED. REFER TO DWG. 3 OF 4 FOR ALL LIGHT SPECIFICATIONS.

1 1/4" THK. TAPERED METAL GABLE BY METAL SHELVING SUPPLIER FIN. NO. (24)

FRICTION-FIT METAL FILLER STRIP FIN. NO. (24) BETWEEN POSTS (APPROXIMATELY 4" DP.) AT ALL SHELVES AND BASE

HEAVY DUTY METAL SHELVING C/W STRAIGHT METAL TICKET HOLDERS TO ACCOMMODATE STANDARD LCBO 1" HIGH STRAIGHT PAPER TICKETS AT TOP TWO SHELVES (SEE DETAIL 7, F266) ON H.D. METAL BRACKETS ALL IN FIN. NO. (24)

4 1/8" x 1 1/2" x 7'-6" HIGH HEAVY DUTY SLOTTED METAL POST (SLOTS AT 1" O.C. TYP.) C/W CONTINUOUS FULL HEIGHT METAL CAP DETAIL TO BOTH SIDES OF POSTS TO CONCEAL WELDS. ALL IN FIN. NO. (24) (TYPICAL AT ALL POSTS)

ANGLED METAL TICKET HOLDER BY METAL SHELVING CONTRACTOR TO ACCOMMODATE STANDARD LCBO 1" PAPER TICKETS AT BASE (SEE DETAIL 6/F266)

SIDE BASE COVER PLATES AT ENDS BY METAL SHELVING SUPPLIER IN FIN. NO. (17)

RECESSED METAL BASE FIN. NO. (17)

METAL BASE TO WRAP METAL GABLE FIN. (24) BY METAL SHELVING SUPPLIER (DENOTED BY HATCHING)

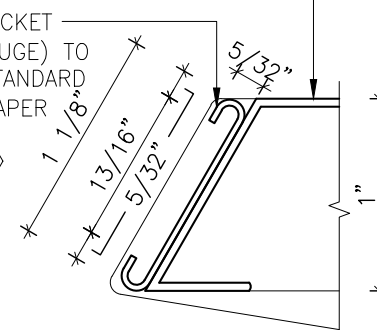
4 SECTION
F266 3/4" = 1'-0"

HEAVY DUTY METAL SHELVING C/W ANGLED METAL TICKET HOLDERS ON H.D. METAL BRACKETS ALL IN FIN. NO. (24)

ANGLED METAL TICKET HOLDERS (20 GAUGE) TO ACCOMMODATE STANDARD LCBO 1" HIGH PAPER TICKETS AT ALL SHELVES FIN. (24)

NOTE: NO VISIBLE HOLES IN FRONT OF TICKET HOLDER

6 ANGLED METAL TICKET HOLDER DETAIL
F266 FULL SCALE



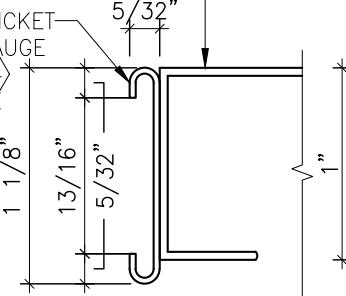
NOTE: ALL 1" METAL TICKET HOLDERS TO RECEIVE 1 3/4" PLASTIC TICKET HOLDER INSERT TO SPAN LENGTH OF SHELF SECTION

METAL SHELF FIN. NO. (24)

STRAIGHT METAL TICKET HOLDER OF 20 GAUGE STEEL FIN. NO. (24) WELDED TO SLOPE NOSE OF METAL SHELF EDGE

NOTE: NO VISIBLE HOLES IN FRONT OF TICKET HOLDER

7 STRAIGHT METAL TICKET HOLDER DETAIL
F266 FULL SCALE



METAL SHELVING SUPPLIER TO INSTALL METAL TOP CAP TO POSTS FOR ANCHORING OF BREAKFORM METAL CANOPY

8" H. BREAKFORM METAL SIGNBAND WITH PT. FIN. NO. (24) TO WRAP ALL SIDES OF POSTS BY METAL SHELVING SUPPLIER. NO VISIBLE CONNECTORS/FASTENERS

HEAVY DUTY METAL SHELVING C/W STRAIGHT METAL TICKET HOLDERS TO ACCOMMODATE STANDARD LCBO 1" HIGH STRAIGHT PAPER TICKETS AT TOP TWO SHELVES (SEE DETAIL 7, F266) ON H.D. METAL BRACKETS ALL IN FIN. NO. (24)

1/4" SQ. METAL RAIL FIN. NO. (55) TO BE SUPPLIED + INSTALLED BY METAL SHELVING SUPPLIER. METAL SHELVING SUPPLIER TO PRE-DRILL HOLES IN SHELVES FOR METAL RAILS LOCATED AT 2 OUTER ENDS AND ACROSS REAR EDGE OF ALL SHELVES AS SHOWN.

1 1/4" THK. TAPERED METAL GABLE BY METAL SHELVING SUPPLIER FIN. NO. (24)

.220" NOMINAL CLEAR PETG CENTER CORE W/ .006" 5 YEAR DADE UV FILM FUSED ON BOTH SIDES, FINE SUEDE AVAILABLE IN 1" x 3/8" METAL FRAME FIN. NO. (55) (ALL SIDES)

METAL BASE TO WRAP METAL GABLE FIN. (24) BY METAL SHELVING SUPPLIER (DENOTED BY HATCHING)

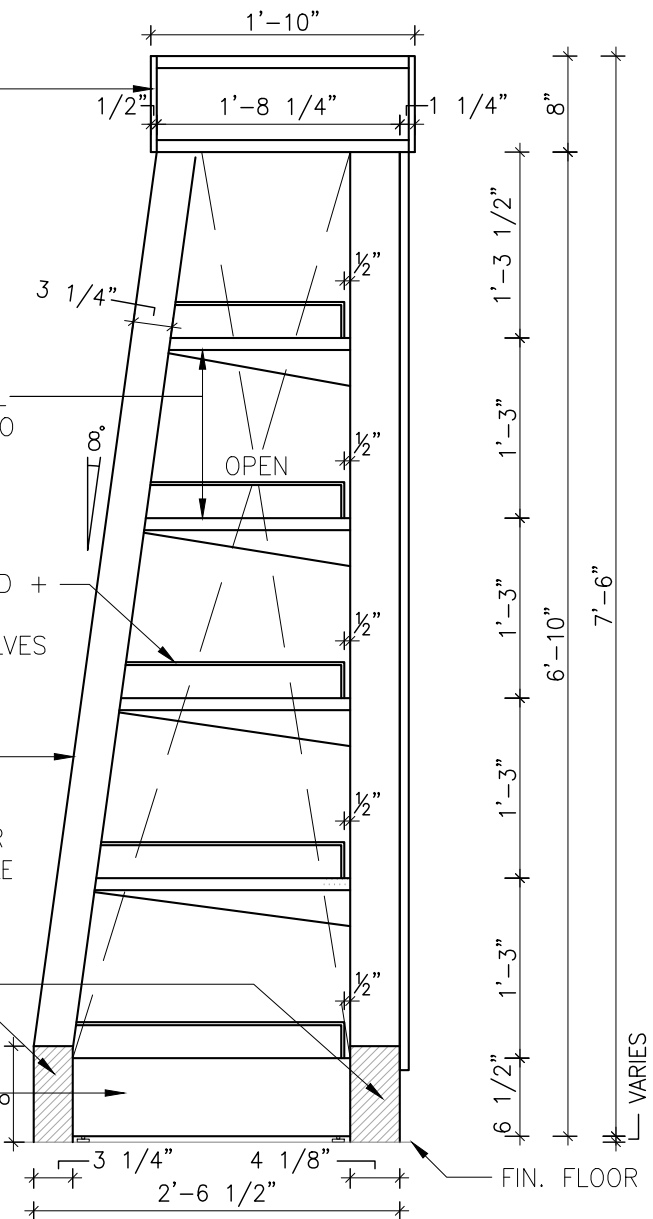
SIDE BASE COVER PLATES AT ENDS BY METAL SHELVING SUPPLIER IN FIN. NO. (17) RECESSED BACK FROM METAL GABLE

CUT-OUT IN METAL POST FOR CONCEALED POWER FEED

5 ELEVATION
F266 3/4" = 1'-0"

NOTE:

ALL LIGHTING TO BE SUPPLIED + INSTALLED BY GC. COORDINATE CUT-OUT OPENING WITH METAL SHELVING SUPPLIER AS REQUIRED. ENSURE ALL WIRING IS CONCEALED FROM CUSTOMERS VIEW. GC TO COORDINATE WITH SUPPLIER TO ENSURE TIMELY DELIVERY OF LIGHTS TO SUIT THE CONSTRUCTION SCHEDULE.



LCBO	200 GENERAL LIST	REVISION DATE	REV.	3 of 4	ISSUE DATE	STORE TYPE	STORE #
	DOUBLE-SIDED GIFT/SPIRITS FIXTURE WITH U.V. PETG PANEL (7'-6" H.)	2021 MAR	17	F266	2021 APR		

NOTE:
ALL COMPONENTS
SUPPLIED BY METAL
SHELVING SUPPLIER
INCLUDING TOP SIGNAGE
CANOPY.

NOTE:
METAL SHELVING SUPPLIER TO ENSURE
THAT FIXTURE IS CONSTRUCTED SO
THAT LIGHT FIXTURES CAN BE
SERVICED AND/OR REMOVED WITHOUT
DISMANTLING FIXTURE

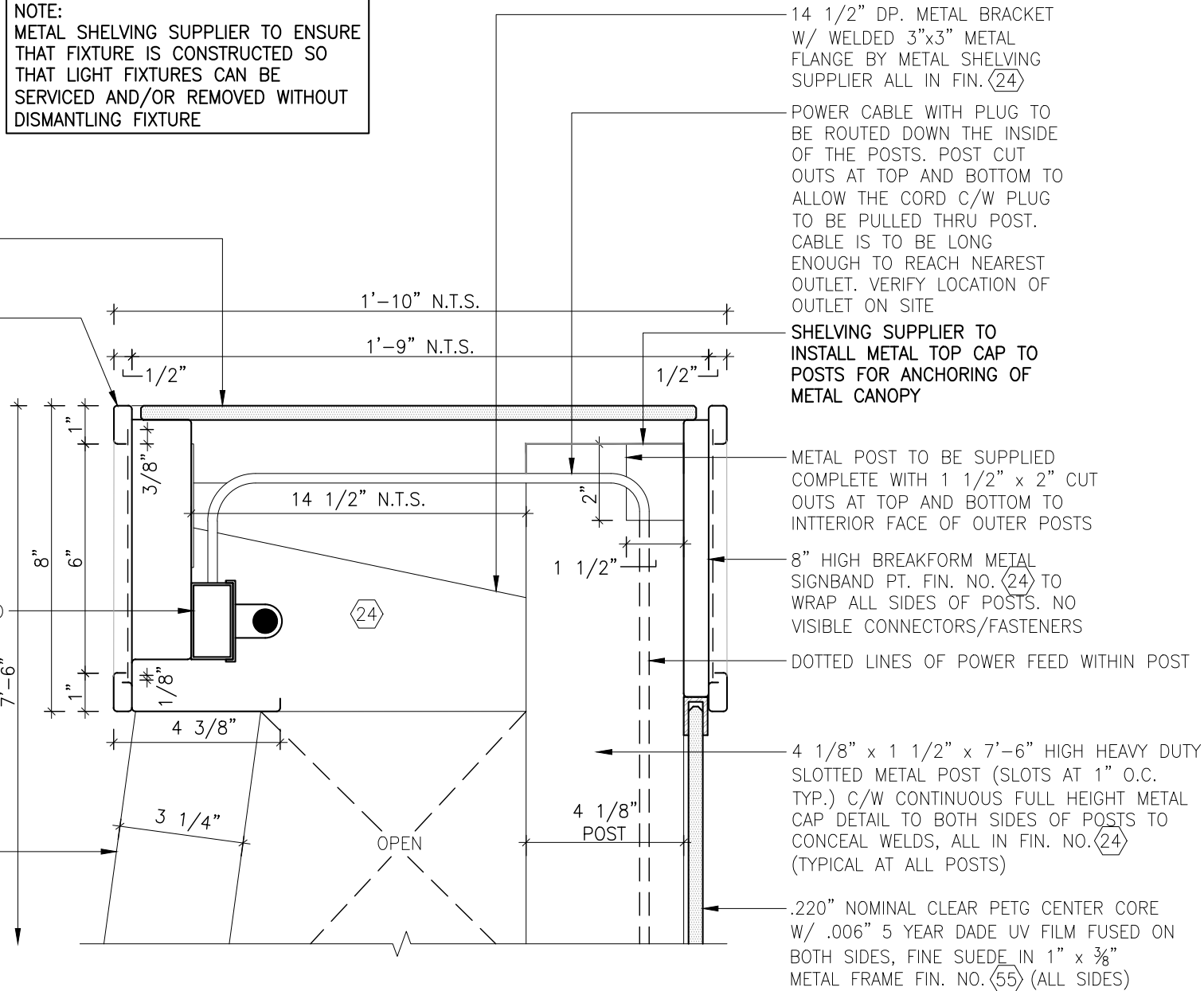
3/8" THK. FROSTED
PLEXI-GLASS INSERTS ON
RUBBER CUSHIONS

8" HIGH BREAKFORM
METAL SIGNBAND PT.
FIN. NO. (24) TO WRAP
ALL SIDES OF POSTS.
NO VISIBLE
CONNECTORS/FASTENERS

T5 FLUORESCENT LIGHT
FIXTURE SUPPLIED +
INSTALLED BY GC MOUNTED
TO BACK SIDE OF SIGN
BAND (END TO END).
CONCEAL POWER FEED
WITHIN METAL POST AS
REQUIRED

1 1/4" x 3 1/4"
TAPERED METAL POST
BY METAL SHELVING
SUPPLIER PT. FIN. NO. (24)

8
F266
DETAIL
3" = 1'-0"



14 1/2" DP. METAL BRACKET
W/ WELDED 3"x3" METAL
FLANGE BY METAL SHELVING
SUPPLIER ALL IN FIN. (24)

POWER CABLE WITH PLUG TO
BE ROUTED DOWN THE INSIDE
OF THE POSTS. POST CUT
OUTS AT TOP AND BOTTOM TO
ALLOW THE CORD C/W PLUG
TO BE PULLED THRU POST.
CABLE IS TO BE LONG
ENOUGH TO REACH NEAREST
OUTLET. VERIFY LOCATION OF
OUTLET ON SITE

SHELVING SUPPLIER TO
INSTALL METAL TOP CAP TO
POSTS FOR ANCHORING OF
METAL CANOPY

METAL POST TO BE SUPPLIED
COMPLETE WITH 1 1/2" x 2" CUT
OUTS AT TOP AND BOTTOM TO
INTERIOR FACE OF OUTER POSTS

8" HIGH BREAKFORM METAL
SIGNBAND PT. FIN. NO. (24) TO
WRAP ALL SIDES OF POSTS. NO
VISIBLE CONNECTORS/FASTENERS

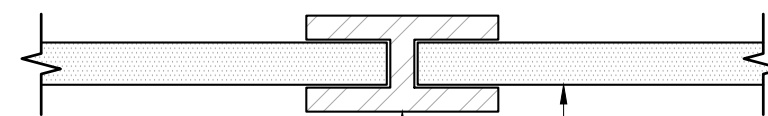
DOTTED LINES OF POWER FEED WITHIN POST

4 1/8" x 1 1/2" x 7'-6" HIGH HEAVY DUTY
SLOTTED METAL POST (SLOTS AT 1" O.C.
TYP.) C/W CONTINUOUS FULL HEIGHT METAL
CAP DETAIL TO BOTH SIDES OF POSTS TO
CONCEAL WELDS, ALL IN FIN. NO. (24)
(TYPICAL AT ALL POSTS)

.220" NOMINAL CLEAR PETG CENTER CORE
W/ .006" 5 YEAR DADE UV FILM FUSED ON
BOTH SIDES, FINE SUEDE IN 1" x 3/8"
METAL FRAME FIN. NO. (55) (ALL SIDES)

GENERAL NOTES

- DIMENSIONS SHOWN REFLECT SHELF & BASE DIMENSIONS ONLY & DO NOT TAKE METAL TICKET HOLDERS INTO ACCOUNT
- ALL ADJUSTMENTS TO COMPENSATE FOR NON-LEVEL FLOOR SURFACES TO BE MADE AT BOTTOM END OF POST
- METAL SHELVING SUPPLIER TO OBTAIN SIGNAGE SAMPLE FROM LCBO PRIOR TO FABRICATION TO ENSURE PROPER FIT OF SIGNAGE INSERT
- METAL SHELVING SUPPLIER TO OBTAIN 1" HIGH PAPER TICKET SAMPLE FROM LCBO PRIOR TO FABRICATION TO ENSURE PROPER FIT WITHIN TICKET MOULDING. SUBMIT SAMPLE FOR APPROVAL
- ENSURE ALL SHELVES ARE IN EXACT ALIGNMENT AND ARE TRUE & LEVEL. PERFORATED SHELVES ARE NOT ACCEPTABLE. SHELVES TO SUPPORT LOAD CAPACITY OF 500LBS
- ALL METAL SHELVING COMPONENTS TO BE SUPPLIED TO GC FOR FINAL ASSEMBLY ON-SITE (TO BE COORDINATED BY GC)

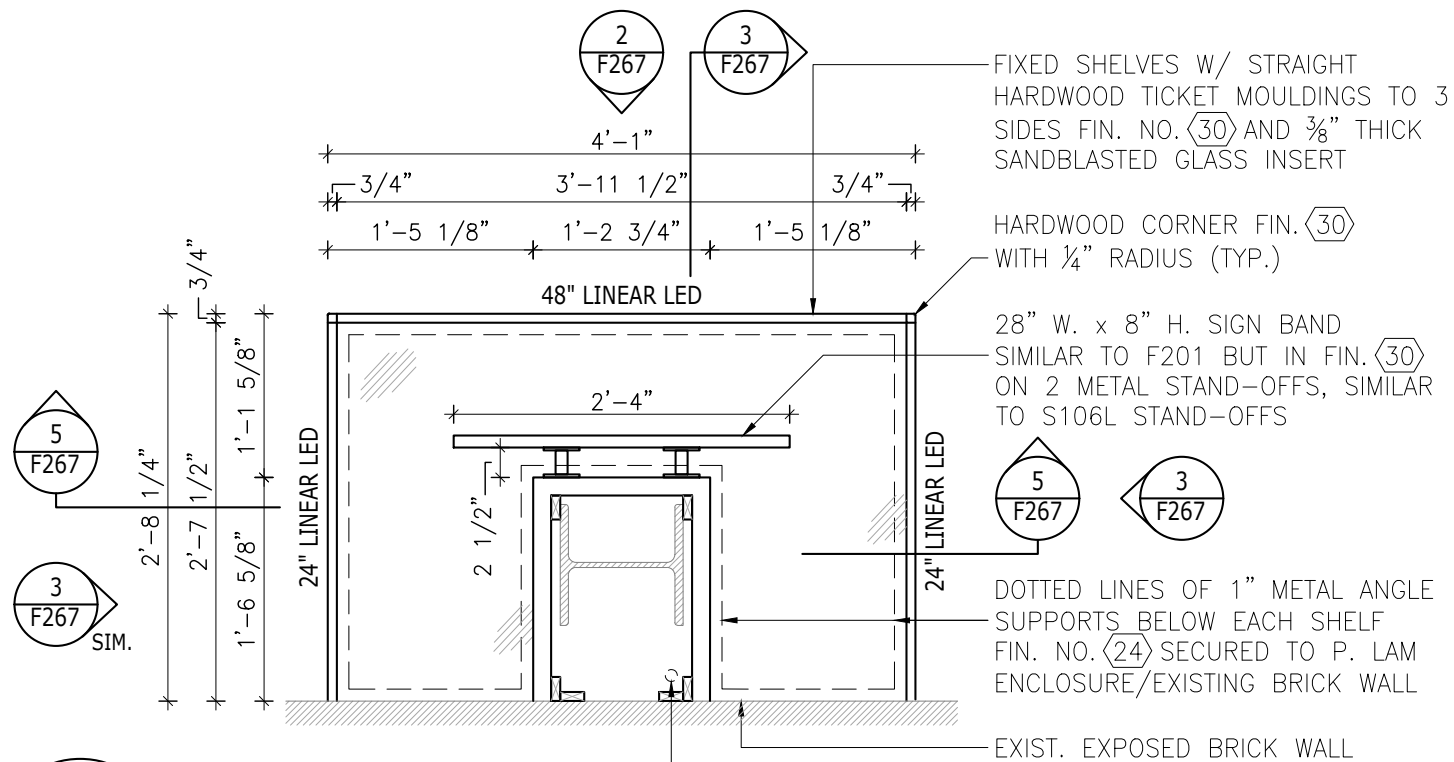


SATIN STAINLESS METAL CLIPS
FIN. NO. (55) TO SECURE
ADJACENT PLEXI PANELS. PLEXI
SEAMS TO MEET O.C. OF METAL
POSTS BEYOND, CLIPS TO ALIGN
WITH SHELVING BEYOND.

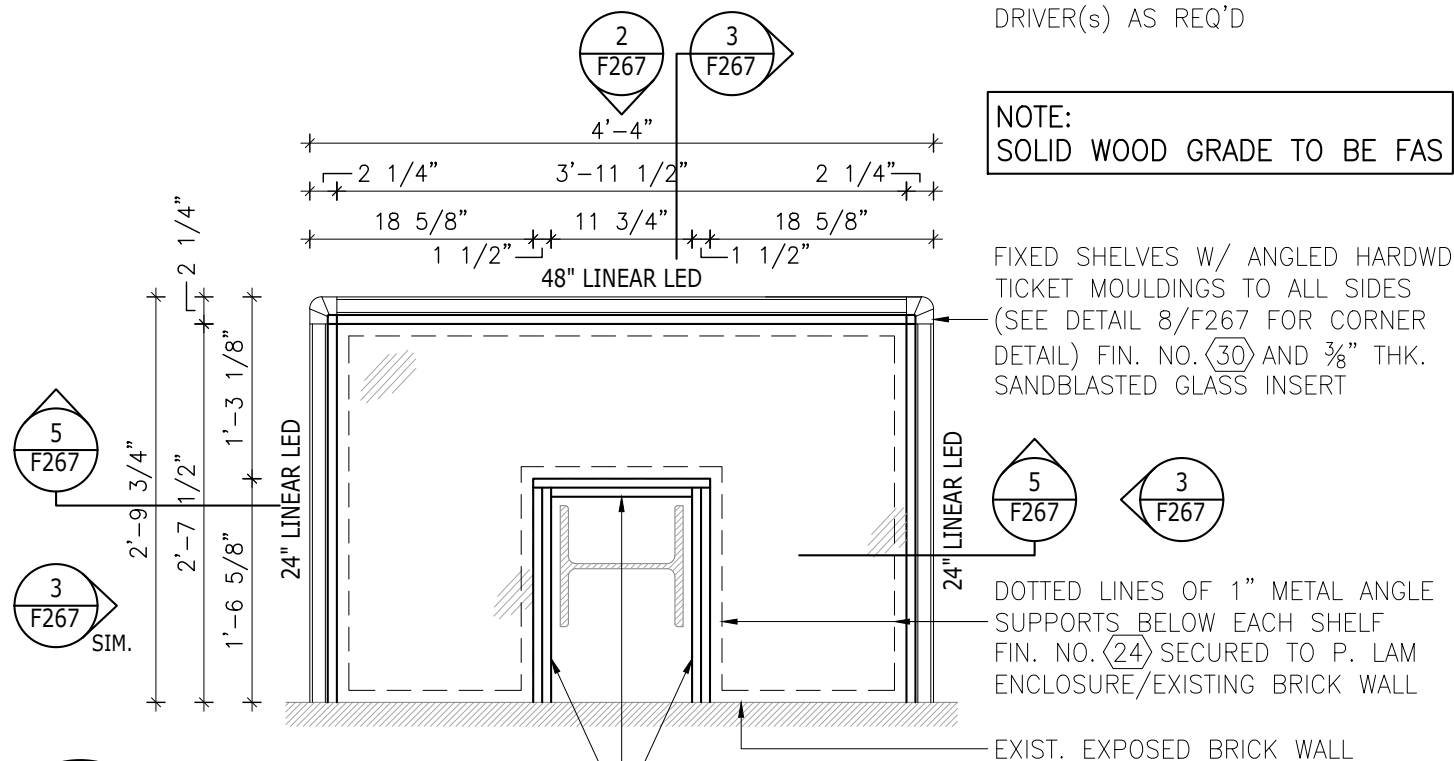
.220" NOMINAL CLEAR PETG CENTER
CORE W/ .006" 5 YEAR DADE UV FILM
FUSED ON BOTH SIDES, FINE SUEDE
AVAILABLE FROM BARBICAN
ARCHITECTURAL PRODUCTS IN 1" x 3/8"
METAL FRAME FIN. NO. (55) (ALL SIDES)

9
F266
GLAZING CLIP DETAIL
FULL SCALE

LCBO	200 GENERAL LIST	REVISION DATE	REV.	4 of 4	ISSUE DATE	STORE TYPE	STORE #
	DOUBLE-SIDED GIFT/SPIRITS FIXTURE WITH U.V. PETG PANEL (7'-6" H.)	2021 MAR	17	F266	2021 APR		



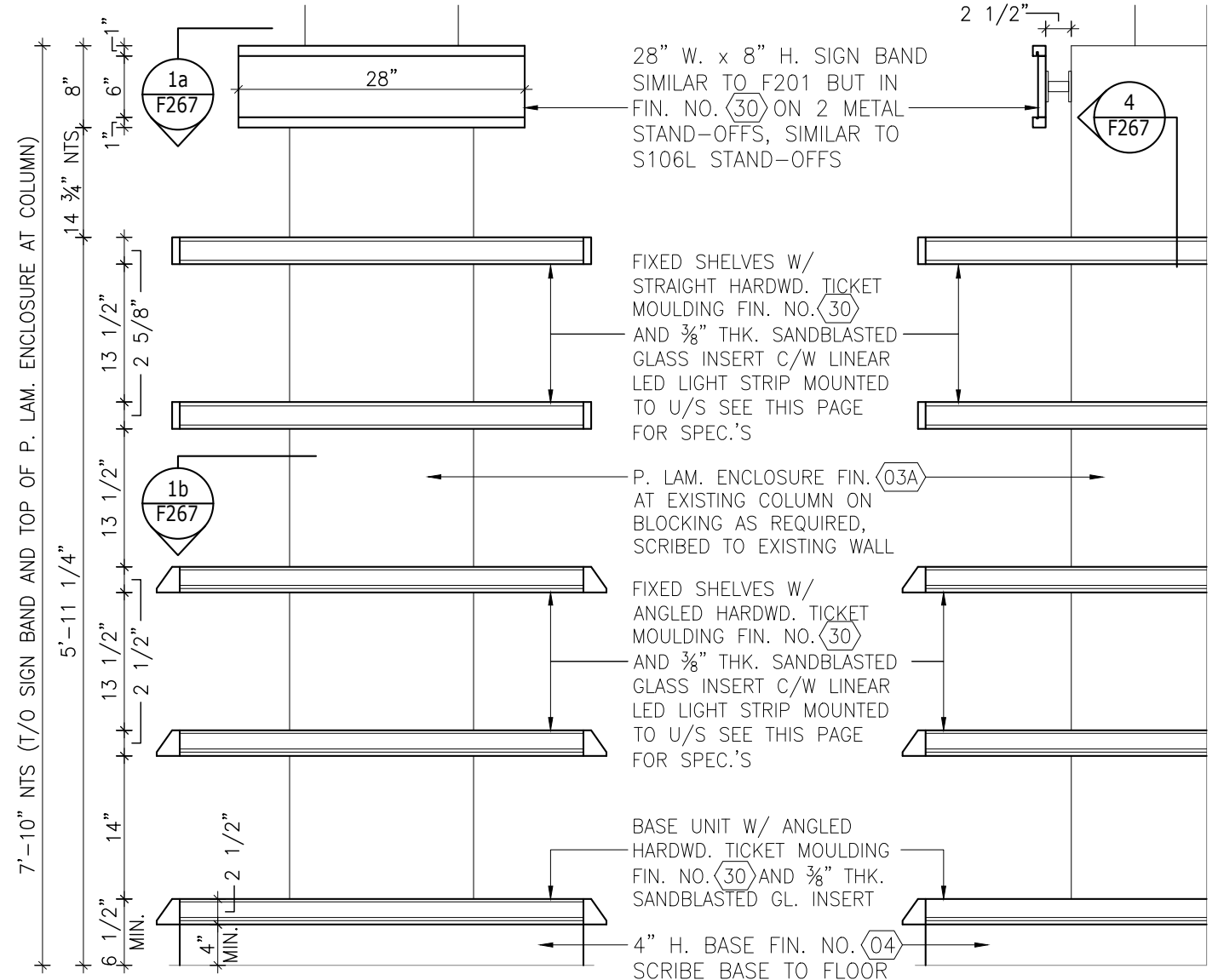
1a PLAN
F267 3/4" = 1'-0"



1b PLAN
F267 3/4" = 1'-0"

NOTE:
THIS DRAWING FOR REFERENCE ONLY. REFER TO ARCH. DWGS. FOR ACTUAL CONDITION.

NOTE:
SOLID WOOD GRADE TO BE FAS



2 ELEVATION
F267 3/4" = 1'-0"

3 ELEVATION
F267 3/4" = 1'-0"

- GENERAL NOTES
- SITE VERIFY ALL DIMENSIONS AND SITE CONDITIONS PRIOR TO SHOP DRAWING SUBMISSION
 - ALL ADJUSTMENTS TO COMPENSATE FOR NON-LEVEL FLOOR SURFACES TO BE MADE AT BASE AS NOTED ON 2/F267
 - MILLWORK CONTRACTOR TO OBTAIN 2" HIGH PAPER TICKET SAMPLE FROM LCBO PRIOR TO FABRICATION TO ENSURE PROPER FIT WITHIN TICKET MOULDING. SUBMIT SAMPLE FOR APPROVAL
 - MILLWORK CONTRACTOR TO ENSURE STRUCTURAL STABILITY OF SHELVES (COORDINATE METAL SUPPORT STRUCTURE LAYOUT WITH LED STRIP LIGHTING). ENSURE ALL SHELVES ARE TRUE & LEVEL.

L.E.D. LIGHTSTRIPS: PROVIDE 32 STRIPS @ 12" LENGTH PER UNIT.

LED LIGHTSTRIPS BY TECHNILITE:
MODEL#: L3-32-GI-SEB
LENGTH=12"
OUTPUT=2.4 WATTS / 97 LUMENS PER FT.
COLOUR TEMP. 3200°K
DURATION: 50,000 HRS

ALL LIGHTING TO BE SUPPLIED + INSTALLED BY GC. COORDINATE CUT-OUT OPENING WITH MILLWORK CONTRACTOR AS REQUIRED. ENSURE ALL WIRING IS CONCEALED FROM CUSTOMERS VIEW. LED STRIPLIGHTS MAY HAVE A LONG LEAD TIME, GC TO COORDINATE WITH SUPPLIER TO ENSURE TIMELY DELIVERY OF LIGHTS TO SUIT THE CONSTRUCTION SCHEDULE.

LCBO	200 GENERAL LIST	REVISION DATE	REV.	1 of 2	ISSUE DATE	STORE TYPE	STORE #
	PERIMETER COLUMN FEATURE (HALF)	2021 MAR	17	F267	2021 APR		

NOTE:
SOLID WOOD GRADE TO BE FAS

28" W. x 8" H. SIGN BAND
SIMILAR TO F201 BUT IN
FIN. NO. (30) ON 2 METAL
STAND-OFFS, SIMILAR TO
S106L STAND-OFFS

FIXED SHELVES W/ STRAIGHT
HARDWD. TICKET MOULDING
FIN. NO. (30) AND 3/8" THK.
SANDBLASTED GLASS INSERT
C/W LINEAR LED LIGHT STRIP
MOUNTED TO U/S REFER TO
DWG. 1 OF 2 FOR SPEC.'S

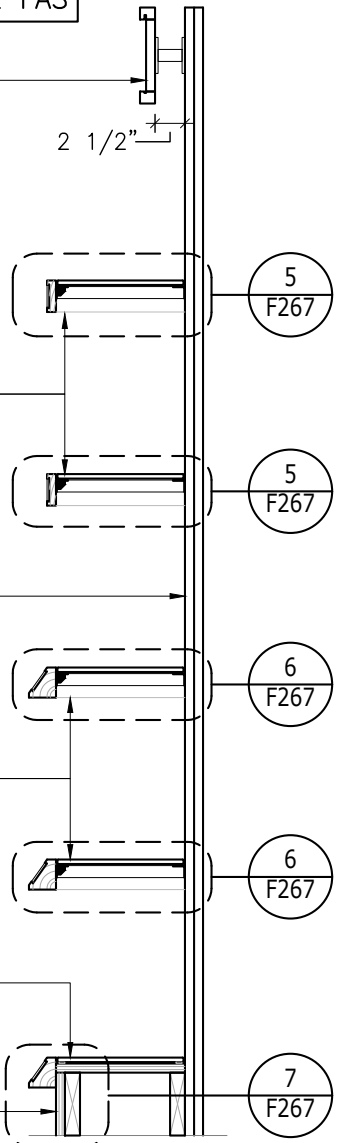
P. LAM. ENCLOSURE FIN. (03A)
AT EXISTING COLUMN ON
BLOCKING AS REQUIRED,
SCRIBED TO EXISTING WALL

FIXED SHELVES W/ ANGLED
HARDWD. TICKET MOULDING
FIN. NO. (30) AND 3/8" THK.
SANDBLASTED GLASS INSERT
C/W LINEAR LED LIGHT STRIP
MOUNTED TO U/S REFER TO
DWG. 2 OF 3 FOR SPEC.'S

BASE UNIT W/ ANGLED
HARDWD. TICKET MOULDING
FIN. NO. (30) AND 3/8" THK.
SANDBLASTED GLASS INSERT

4" HIGH BASE FIN. NO. (04)

NOTE:
MILLWORK CONTRACTOR TO
ENSURE THAT FIXTURE IS
CONSTRUCTED SO THAT
LIGHT FIXTURES CAN BE
SERVICED AND/OR REMOVED
WITHOUT DISMANTLING
MILLWORK



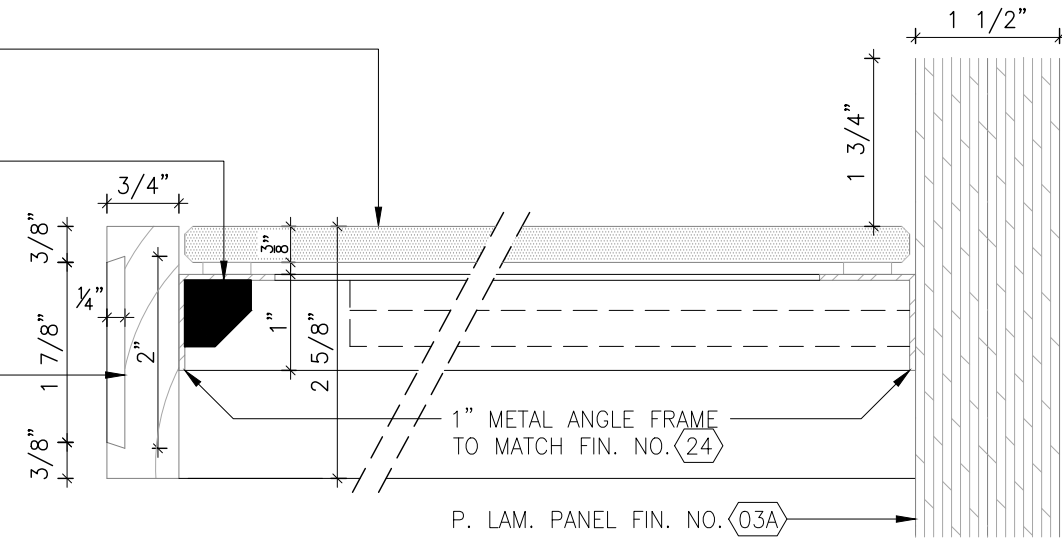
4 SECTION
F267 3/4" = 1'-0"

3/8" THK. SANDBLASTED GLASS
SHELF ON SILICONE PADS

LINEAR LED LIGHT STRIP, REFER TO
DWG. 2 OF 3 FOR SPEC.'S. ENSURE
ALL WIRES ARE NEATLY CONCEALED
FROM CUSTOMERS VIEW

FIXED SHELVES W/ STRAIGHT
HARDWOOD TICKET MOULDINGS TO ALL
SIDES FIN. NO. (30) AND 3/8" THK.
SANDBLASTED GLASS INSERT C/W
HARDWOOD CORNER FIN. (30) WITH 1/4"
RADIUS AT ALL CORNERS (TYP.)

5 DETAIL
F267 6" = 1'-0"

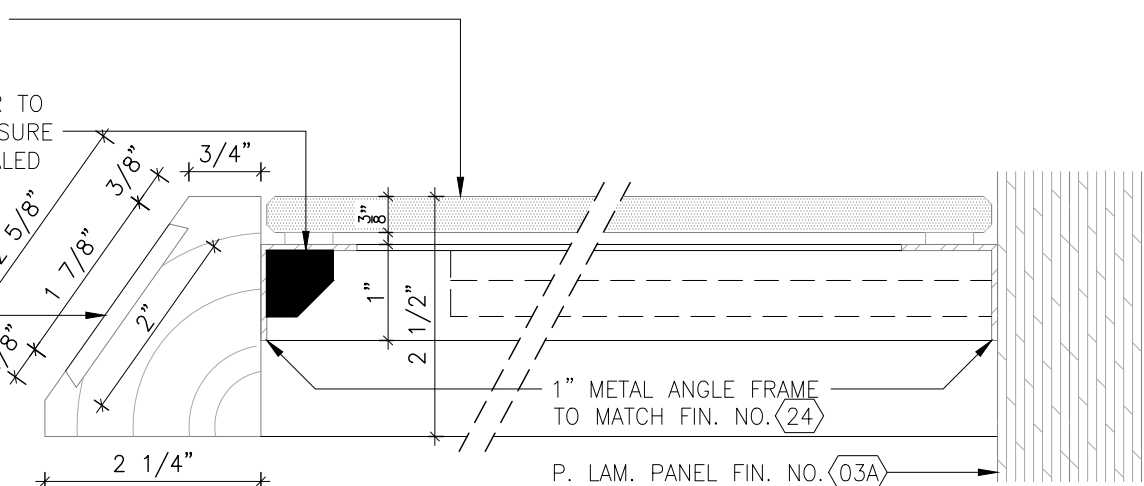


3/8" THK. SANDBLASTED GLASS
SHELF ON SILICONE PADS

LINEAR LED LIGHT STRIP, REFER TO
DWG. 2 OF 3 FOR SPEC.'S. ENSURE
ALL WIRES ARE NEATLY CONCEALED
FROM CUSTOMERS VIEW

FIXED SHELVES W/ ANGLED
HARDWOOD TICKET MOULDINGS
TO ALL SIDES FIN. (30) &
3/8" THK. SANDBLASTED
GLASS INSERT SEE 8/F267
FOR CORNER DETAIL AT ALL
CORNERS (TYP.)

6 DETAIL
F267 6" = 1'-0"

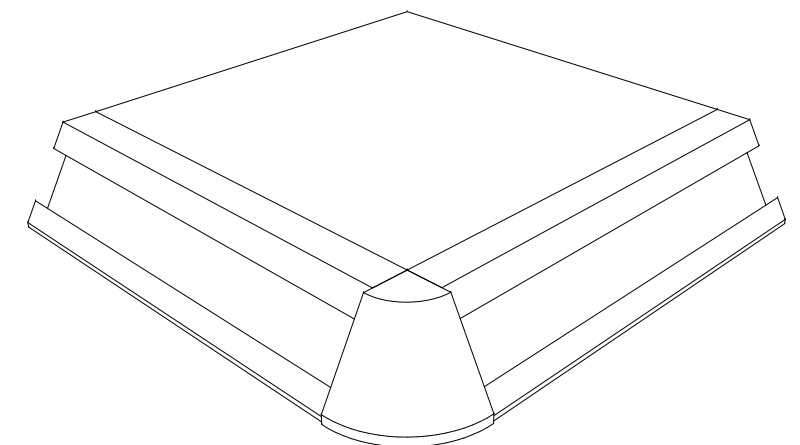
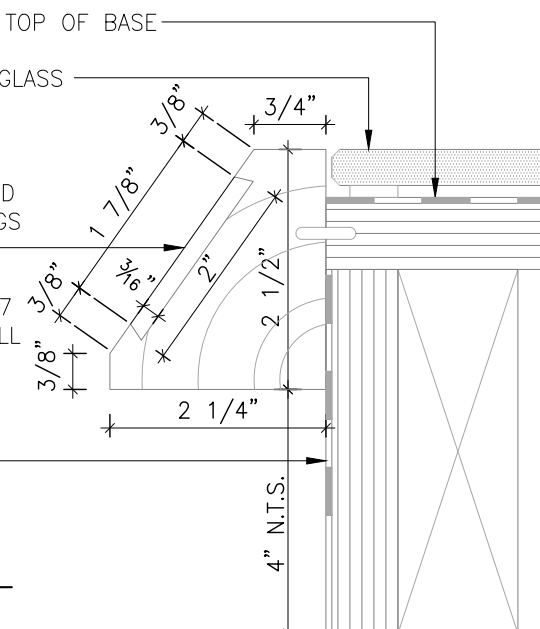


P. LAM. FIN. NO. (02A) TO TOP OF BASE

3/8" THK. SANDBLASTED GLASS
SHELF ON SILICONE PADS

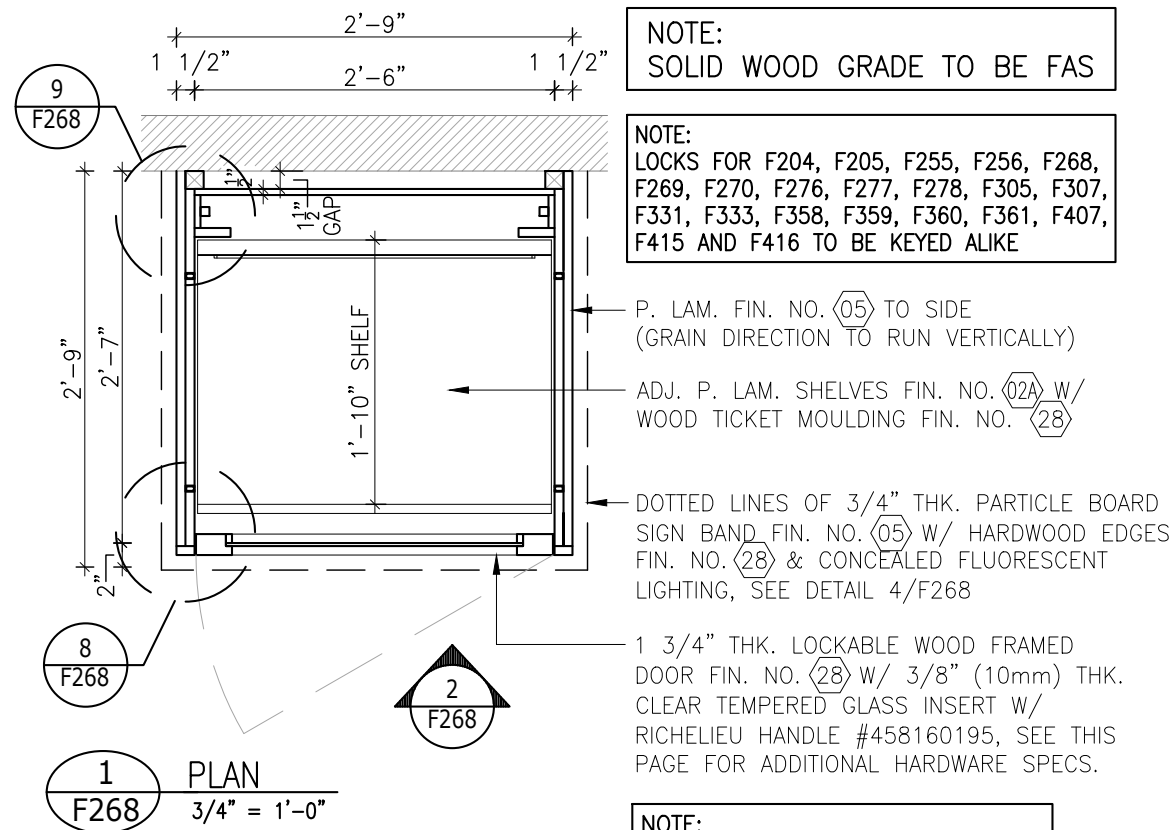
FIXED SHELVES W/ ANGLED
HARDWOOD TICKET MOULDINGS
TO ALL SIDES FIN. (30) &
3/8" THK. SANDBLASTED
GLASS INSERT SEE 8/F267
FOR CORNER DETAIL AT ALL
CORNERS (TYP.)

7 DETAIL
F267 6" = 1'-0"



8 ANGLED TICKET MOULDING CORNER DETAIL
F267

LCBO	200 GENERAL LIST	REVISION DATE	REV.	2 of 2	ISSUE DATE	STORE TYPE	STORE #
	PERIMETER COLUMN FEATURE (HALF)	2021 MAR	17	F267	2021 APR		



NOTE:
SOLID WOOD GRADE TO BE FAS

NOTE:
LOCKS FOR F204, F205, F255, F256, F268, F269, F270, F276, F277, F278, F305, F307, F331, F333, F358, F359, F360, F361, F407, F415 AND F416 TO BE KEYED ALIKE

P. LAM. FIN. NO. (05) TO SIDE
(GRAIN DIRECTION TO RUN VERTICALLY)

ADJ. P. LAM. SHELVES FIN. NO. (02A) W/
WOOD TICKET MOULDING FIN. NO. (28)

DOTTED LINES OF 3/4" THK. PARTICLE BOARD
SIGN BAND FIN. NO. (05) W/ HARDWOOD EDGES
FIN. NO. (28) & CONCEALED FLUORESCENT
LIGHTING, SEE DETAIL 4/F268

1 3/4" THK. LOCKABLE WOOD FRAMED
DOOR FIN. NO. (28) W/ 3/8" (10mm) THK.
CLEAR TEMPERED GLASS INSERT W/
RICHELIEU HANDLE #458160195, SEE THIS
PAGE FOR ADDITIONAL HARDWARE SPECS.

NOTE:
ALL WOOD TICKET MOULDINGS TO
ACCOMMODATE 1 3/4" PAPER TICKET

NOTE:
MILLWORK CONTRACTOR TO ENSURE
THAT FIXTURE IS CONSTRUCTED SO
THAT LIGHT FIXTURES CAN BE
SERVICED AND/OR REMOVED
WITHOUT DISMANTLING MILLWORK

GENERAL NOTES:
ALL VERTICAL SURFACES ON THE
INTERIOR (GABLES, BACK PANELS,
AND DIVIDERS) ARE TO BE
CONSTRUCTED OF PREFINISHED
PARTICLE BOARD PANELS W/
MELAMINE FIN. NO. (02A) BOTH SIDES.
MILLWORK CONTRACTOR TO PROVIDE
HARDWOOD EDGE IN FIN. NO. (28)
TO ALL EXPOSED EDGES.

NOTE:
MILLWORK CONTRACTOR TO PROVIDE
(1) COAT OF URETHANE SEALER
AND (2) TOP COATS OF SATIN
LACQUER TO FIN. NO. (28)

MILLWORK CONTRACTOR TO ENSURE
THAT ALL SHELVES ARE IN EXACT
ALIGNMENT WITH ADJACENT F201 &
F202 UNITS.

HARDWARE SPECIFICATIONS:

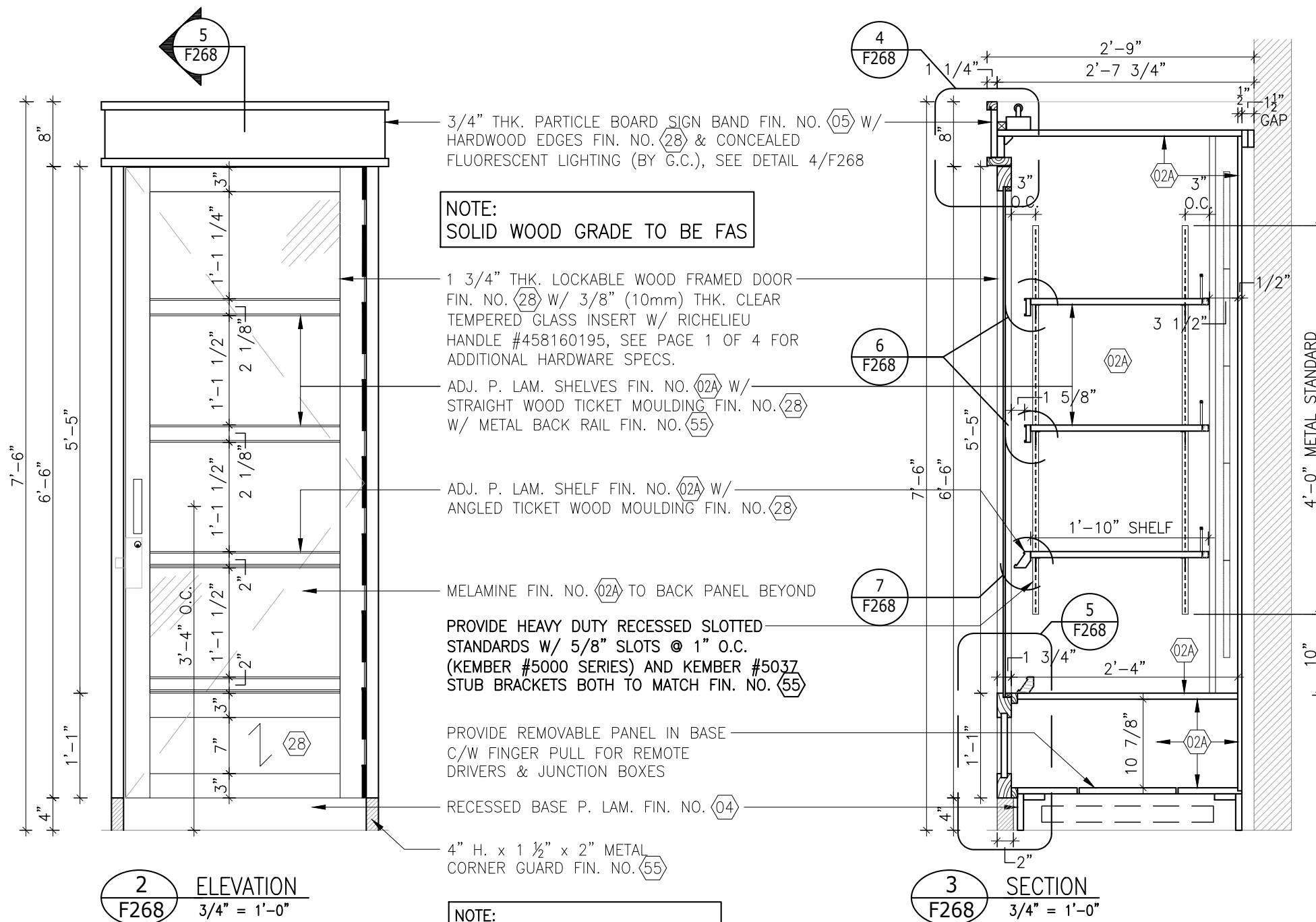
ADAM RITE DEADLOCK #ARMS1850S410628
MORTISE CYLINDER #LSM1002SCC26D
1" C/W (2) KEYS CLEAR ANODIZED ALUMINUM FINISH
STRIKE FOR HOOK BOLT #ARMS4001031628
SPACER RING #IL861F2810 - 1/4" THK.
CLEAR ANODIZED ALUMINUM
NOTE: LOCK CYLINDER TO BE SUPPLIED & INSTALLED BY LCBO,
FITUP BY G.C.

3" .060 GA 8FT LONG CONTINUOUS
PIANO HINGE BY RICHELIEU
MODEL: #76096180 (BRUSHED NICKEL FINISH)

DOOR PULL BY RICHELIEU
MODEL: #458160195 (BRUSHED NICKEL FINISH)

HEAVY DUTY RECESSED SLOTTED
STANDARDS W/ 5/8" SLOTS @ 1" O.C.
(KEMBER #5000 SERIES) AND KEMBER #5037
STUB BRACKETS BOTH TO MATCH FIN. NO. (55)

LCBO	200 GENERAL LIST	REVISION DATE	REV.	1 of 4	ISSUE DATE	STORE TYPE	STORE #
	1-MODULE GENERAL LIST PERIMETER LOCKABLE DISPLAY (7'-6" H.)	2021 MAR	17	F268	2021 APR		



NOTE:
SOLID WOOD GRADE TO BE FAS

1 3/4" THK. LOCKABLE WOOD FRAMED DOOR
FIN. NO. (28) W/ 3/8" (10mm) THK. CLEAR
TEMPERED GLASS INSERT W/ RICHELIEU
HANDLE #458160195, SEE PAGE 1 OF 4 FOR
ADDITIONAL HARDWARE SPECS.

ADJ. P. LAM. SHELVES FIN. NO. (02A) W/
STRAIGHT WOOD TICKET MOULDING FIN. NO. (28)
W/ METAL BACK RAIL FIN. NO. (55)

ADJ. P. LAM. SHELF FIN. NO. (02A) W/
ANGLED TICKET WOOD MOULDING FIN. NO. (28)

MELAMINE FIN. NO. (02A) TO BACK PANEL BEYOND
PROVIDE HEAVY DUTY RECESSED SLOTTED
STANDARDS W/ 5/8" SLOTS @ 1" O.C.
(KEMBER #5000 SERIES) AND KEMBER #5037
STUB BRACKETS BOTH TO MATCH FIN. NO. (55)

PROVIDE REMOVABLE PANEL IN BASE
C/W FINGER PULL FOR REMOTE
DRIVERS & JUNCTION BOXES

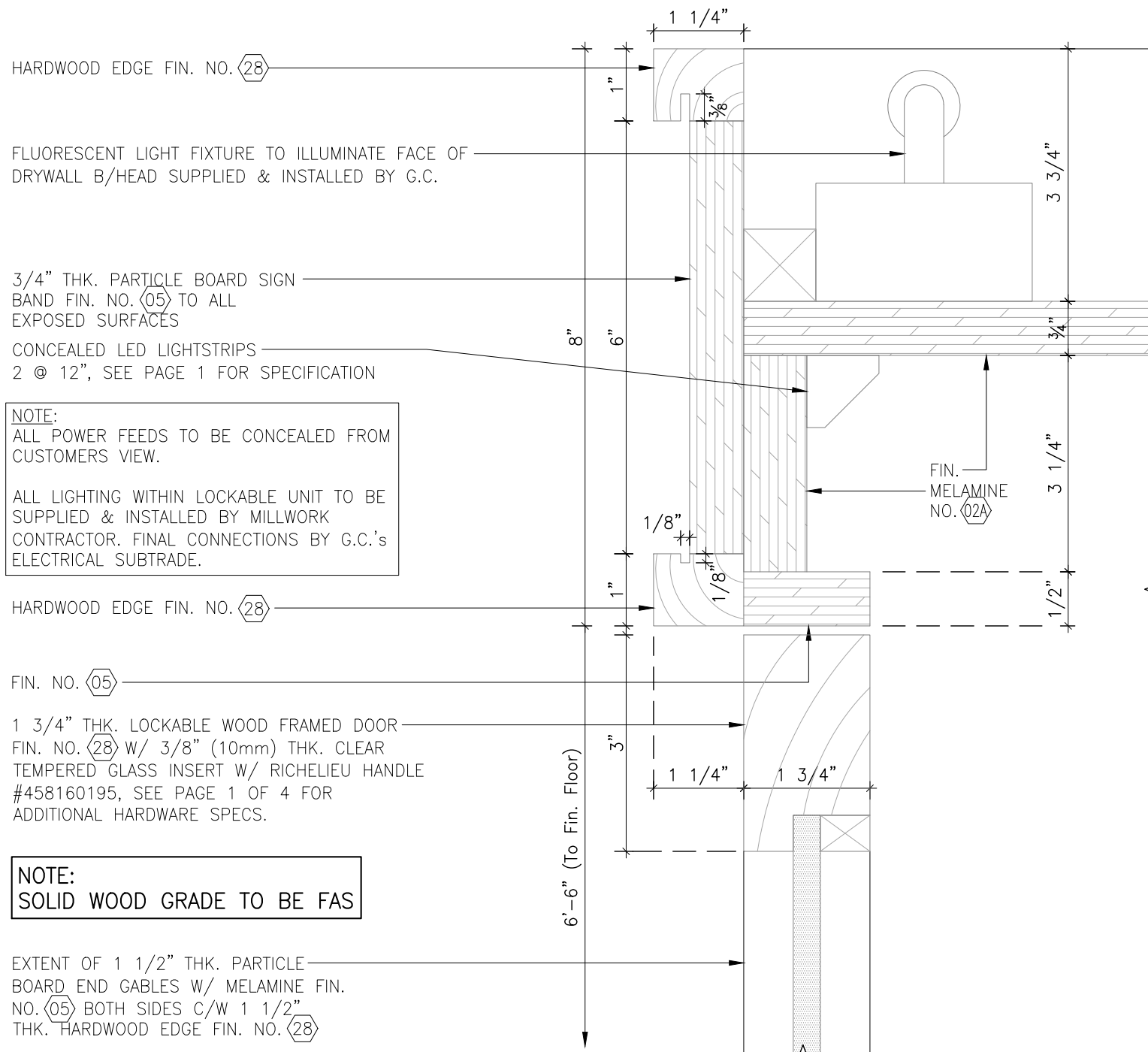
RECESSED BASE P. LAM. FIN. NO. (04)
4" H. x 1 1/2" x 2" METAL
CORNER GUARD FIN. NO. (55)

NOTE:
ALL WOOD TICKET MOULDINGS TO
ACCOMMODATE 1 3/4" PAPER TICKET

2
ELEVATION
F268 3/4" = 1'-0"

3
SECTION
F268 3/4" = 1'-0"

LCBO	200 GENERAL LIST	REVISION DATE	REV.	2 of 4	ISSUE DATE	STORE TYPE	STORE #
	1-MODULE GENERAL LIST PERIMETER LOCKABLE DISPLAY (7'-6" H.)	2021 MAR	17	F268	2021 APR		



HARDWOOD EDGE FIN. NO. (28)

FLUORESCENT LIGHT FIXTURE TO ILLUMINATE FACE OF DRYWALL B/HEAD SUPPLIED & INSTALLED BY G.C.

3/4" THK. PARTICLE BOARD SIGN BAND FIN. NO. (05) TO ALL EXPOSED SURFACES

CONCEALED LED LIGHTSTRIPS 2 @ 12", SEE PAGE 1 FOR SPECIFICATION

NOTE: ALL POWER FEEDS TO BE CONCEALED FROM CUSTOMERS VIEW.

ALL LIGHTING WITHIN LOCKABLE UNIT TO BE SUPPLIED & INSTALLED BY MILLWORK CONTRACTOR. FINAL CONNECTIONS BY G.C.'S ELECTRICAL SUBTRADE.

HARDWOOD EDGE FIN. NO. (28)

FIN. NO. (05)

1 3/4" THK. LOCKABLE WOOD FRAMED DOOR FIN. NO. (28) W/ 3/8" (10mm) THK. CLEAR TEMPERED GLASS INSERT W/ RICHELIEU HANDLE #458160195, SEE PAGE 1 OF 4 FOR ADDITIONAL HARDWARE SPECS.

NOTE: SOLID WOOD GRADE TO BE FAS

EXTENT OF 1 1/2" THK. PARTICLE BOARD END GABLES W/ MELAMINE FIN. NO. (05) BOTH SIDES C/W 1 1/2" THK. HARDWOOD EDGE FIN. NO. (28)

4 SECTION-DETAIL
F268 6" = 1'-0"

NOTE: ALL WOOD TICKET MOULDINGS TO ACCOMMODATE 1 3/4" PAPER TICKET

MELAMINE FIN. NO. (02A) TO GABLE BEYOND

FIXED HARDWOOD TICKET MOULDING (ANGLED) FIN. NO. (28)

1 3/4" THK. LOCKABLE WOOD FRAMED DOOR FIN. NO. (28) (ALL SIDES) W/ 3/8" (10mm) THK. CLEAR TEMPERED GLASS INSERT W/ RICHELIEU HANDLE #458160195, SEE PAGE 1 OF 4 FOR ADDITIONAL HARDWARE SPECS.

MAPLE VENEER TO MATCH FIN. NO. (28)

MELAMINE FIN. NO. (02A) TO ALL INTERIOR SURFACES OF LOCKABLE CABINET

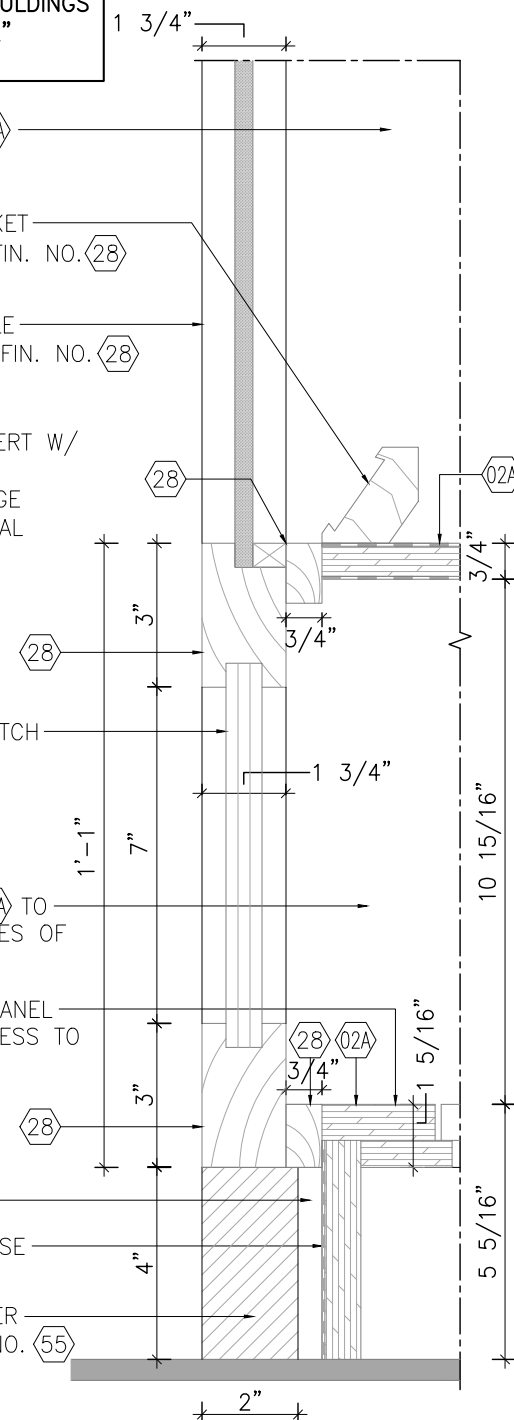
REMOVABLE ACCESS PANEL FIN. NO. (02A) FOR ACCESS TO REMOTE BALLASTS

P. LAM. FIN. NO. (05)

RECESSED P. LAM. BASE FIN. NO. (04)

4" HIGH METAL CORNER GUARD BEYOND FIN. NO. (55)

5 DETAIL
F268 3" = 1'-0"



LCBO	200 GENERAL LIST	REVISION DATE	REV.	3 of 4	ISSUE DATE	STORE TYPE	STORE #
	1-MODULE GENERAL LIST PERIMETER LOCKABLE DISPLAY (7'-6" H.)	2021 MAR	17	F268	2021 APR		

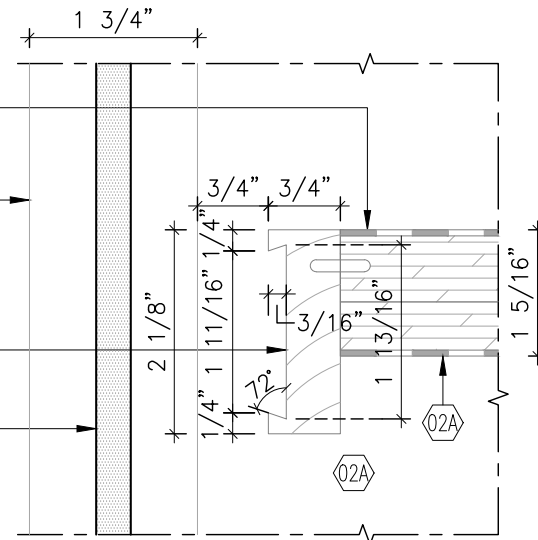
NOTE:
ALL WOOD TICKET MOULDINGS TO ACCOMMODATE 1 3/4" PAPER TICKET

3/4" THK. PARTICLE BRD. SHELF W/ MELAMINE FIN. NO. 02A TO BOTH SIDES

EXTENT OF PARTICLE BOARD GABLE BEYOND FIN. NO. 02A WITH 1" THICK HARDWOOD TRIM FIN. NO. 28

HARDWOOD TICKET MOULDING (STRAIGHT) FIN. NO. 28

1 3/4" THK. LOCKABLE WOOD FRAMED DOOR FIN. NO. 28 W/ 3/8" (10mm) THK. CLEAR TEMPERED GLASS INSERT W/ RICHELIEU HANDLE #458160195, SEE PAGE 1 OF 4 FOR ADDITIONAL HARDWARE SPECS.



6
F268
DETAIL
6" = 1'-0"

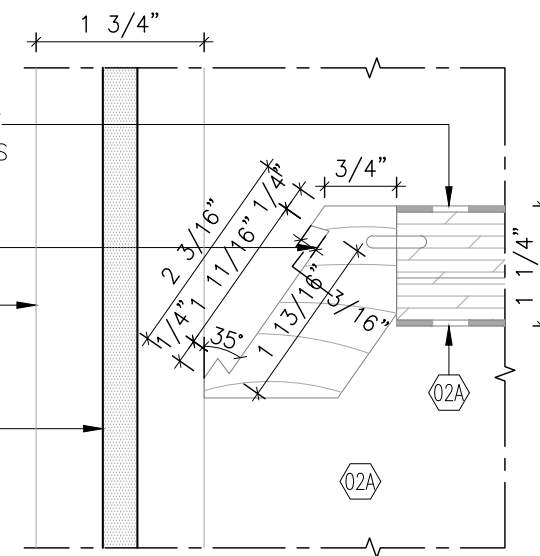
NOTE:
ALL WOOD TICKET MOULDINGS TO ACCOMMODATE 1 3/4" PAPER TICKET

3/4" THK. PARTICLE BRD. SHELF W/ MELAMINE FIN. NO. 02A TO BOTH SIDES

HARDWOOD TICKET MOULDING (ANGLED) FIN. NO. 28

EXTENT OF PARTICLE BOARD GABLE BEYOND FIN. NO. 05 W/ 1" THICK HARDWOOD TRIM FIN. NO. 28

1 3/4" THK. LOCKABLE WOOD FRAMED DOOR FIN. NO. 28 W/ 3/8" (10mm) THK. CLEAR TEMPERED GLASS INSERT W/ RICHELIEU HANDLE #458160195, SEE PAGE 1 OF 4 FOR ADDITIONAL HARDWARE SPECS.

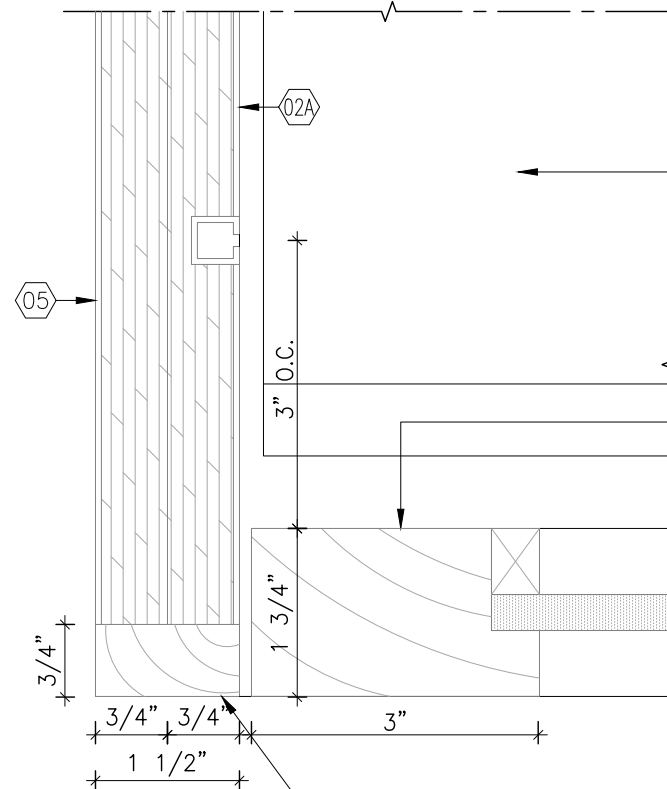


7
F268
DETAIL
6" = 1'-0"

L.E.D. LIGHTSTRIPS:
PROVIDE 12 @ 12" LENGTH AS INDICATED WITHIN MILLWORK.

LED LIGHTSTRIPS BY TECHNILITE:
MODEL#: L3-32-GI-SEB
LENGTH=12"
OUTPUT=2.4 WATTS / 97 LUMENS PER FT.
COLOUR TEMP. 3200°K
DURATION: 50,000 HRS

*ALL L.E.D. LIGHTING AND ASSOCIATED COMPONENTS TO BE SUPPLIED & INSTALLED BY MILLWORK CONTRACTOR, FINAL CONNECTION BY G.C.'S ELECTRICAL SUBTRADE. ENSURE ALL WIRING/DRIVERS ARE CONCEALED FROM CUSTOMER'S VIEW.



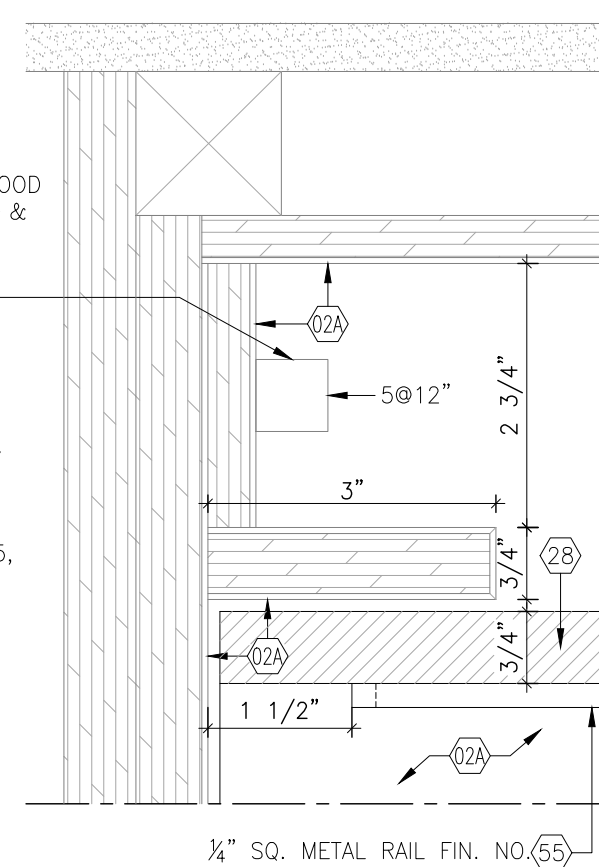
8
F268
DETAIL
6" = 1'-0"

NOTE:
SOLID WOOD GRADE TO BE FAS

ADJUSTABLE SHELF W/ HARDWOOD TICKET MOULDING FIN. NO. 28 & P. LAM. FIN. NO. 02A

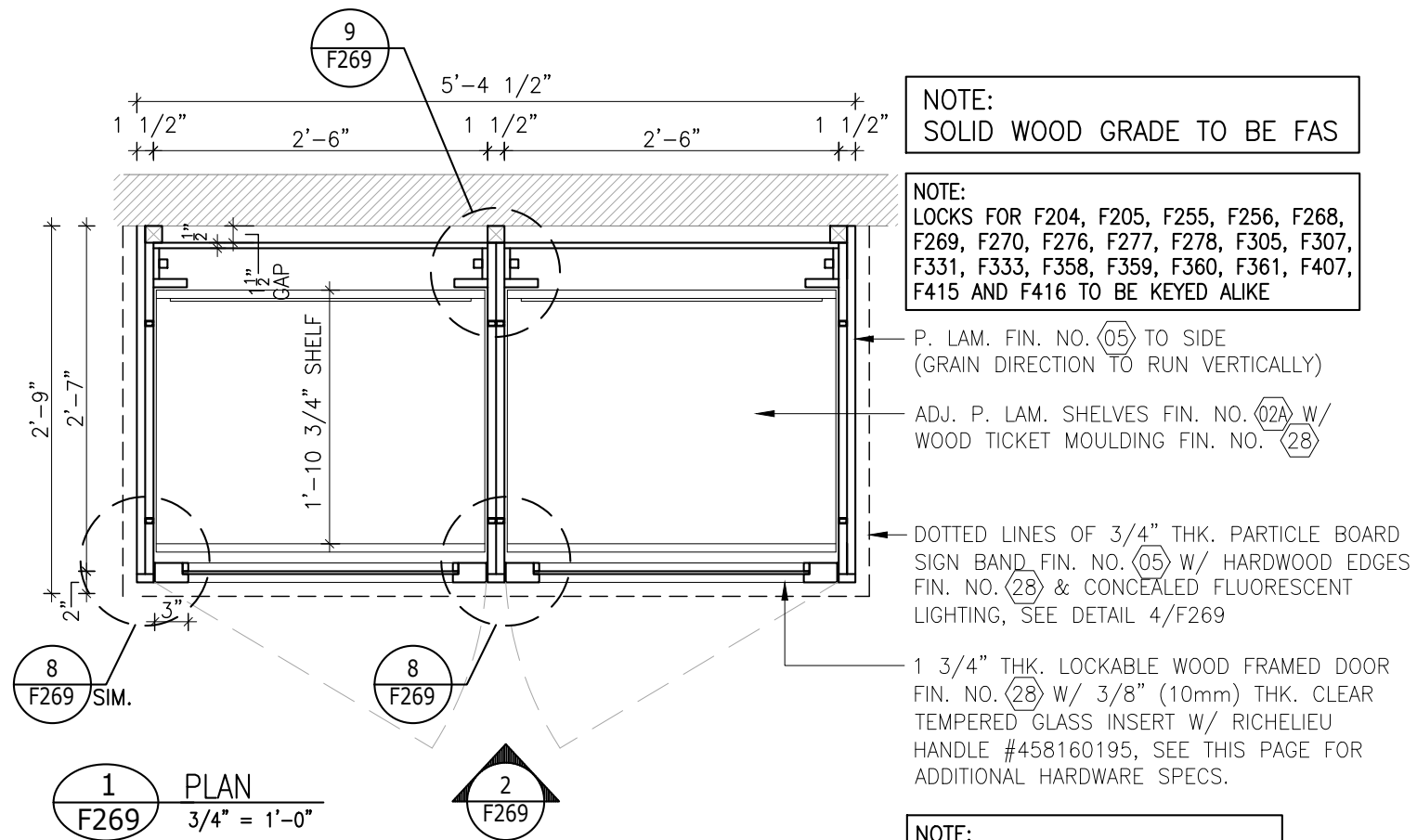
L.E.D. STRIPLIGHTS, SEE SPEC. THIS PAGE

1 3/4" THK. LOCKABLE WOOD FRAMED DOOR FIN. NO. 28 W/ 3/8" (10mm) THK. CLEAR TEMPERED GLASS INSERT W/ RICHELIEU HANDLE #458160195, SEE PAGE 1 OF 4 FOR ADDITIONAL HARDWARE SPECS.



9
F268
DETAIL
6" = 1'-0"

LCBO	200 GENERAL LIST	REVISION DATE	REV.	4 of 4	ISSUE DATE	STORE TYPE	STORE #
	1-MODULE GENERAL LIST PERIMETER LOCKABLE DISPLAY (7'-6" H.)	2021 MAR	17	F268	2021 APR		



NOTE:
SOLID WOOD GRADE TO BE FAS

NOTE:
LOCKS FOR F204, F205, F255, F256, F268, F269, F270, F276, F277, F278, F305, F307, F331, F333, F358, F359, F360, F361, F407, F415 AND F416 TO BE KEYPED ALIKE

P. LAM. FIN. NO. (05) TO SIDE
(GRAIN DIRECTION TO RUN VERTICALLY)

ADJ. P. LAM. SHELVES FIN. NO. (02A) W/
WOOD TICKET MOULDING FIN. NO. (28)

DOTTED LINES OF 3/4" THK. PARTICLE BOARD
SIGN BAND FIN. NO. (05) W/ HARDWOOD EDGES
FIN. NO. (28) & CONCEALED FLUORESCENT
LIGHTING, SEE DETAIL 4/F269

1 3/4" THK. LOCKABLE WOOD FRAMED DOOR
FIN. NO. (28) W/ 3/8" (10mm) THK. CLEAR
TEMPERED GLASS INSERT W/ RICHELIEU
HANDLE #458160195, SEE THIS PAGE FOR
ADDITIONAL HARDWARE SPECS.

NOTE:
ALL WOOD TICKET MOULDINGS TO
ACCOMMODATE 1 3/4" PAPER TICKET

GENERAL NOTES:

ALL VERTICAL SURFACES ON THE
INTERIOR (GABLES, BACK PANELS,
AND DIVIDERS) ARE TO BE
CONSTRUCTED OF PREFINISHED
PARTICLE BOARD PANELS W/
MELAMINE FIN. NO. (02A) BOTH SIDES.
MILLWORK CONTRACTOR TO PROVIDE
HARDWOOD EDGE IN FIN. NO. (28)
TO ALL EXPOSED EDGES.

NOTE:

MILLWORK CONTRACTOR TO PROVIDE
(1) COAT OF URETHANE SEALER
AND (2) TOP COATS OF SATIN
LACQUER TO FIN. NO. (28)

MILLWORK CONTRACTOR TO ENSURE
THAT ALL SHELVES ARE IN EXACT
ALIGNMENT WITH ADJACENT F201 &
F202 UNITS.

HARDWARE SPECIFICATIONS:

ADAM RITE DEADLOCK #ARMS1850S410628
MORTISE CYLINDER #LSM1002SCC26D
1" C/W (2) KEYS CLEAR ANODIZED ALUMINUM FINISH
STRIKE FOR HOOK BOLT #ARMS4001031628
SPACER RING #IL861F2810 - 1/4" THK.
CLEAR ANODIZED ALUMINUM
**NOTE: LOCK CYLINDER TO BE SUPPLIED & INSTALLED BY LCBO,
FITUP BY G.C.**

3" .060 GA 8FT LONG CONTINUOUS
PIANO HINGE BY RICHELIEU
MODEL: #76096180 (BRUSHED NICKEL FINISH)

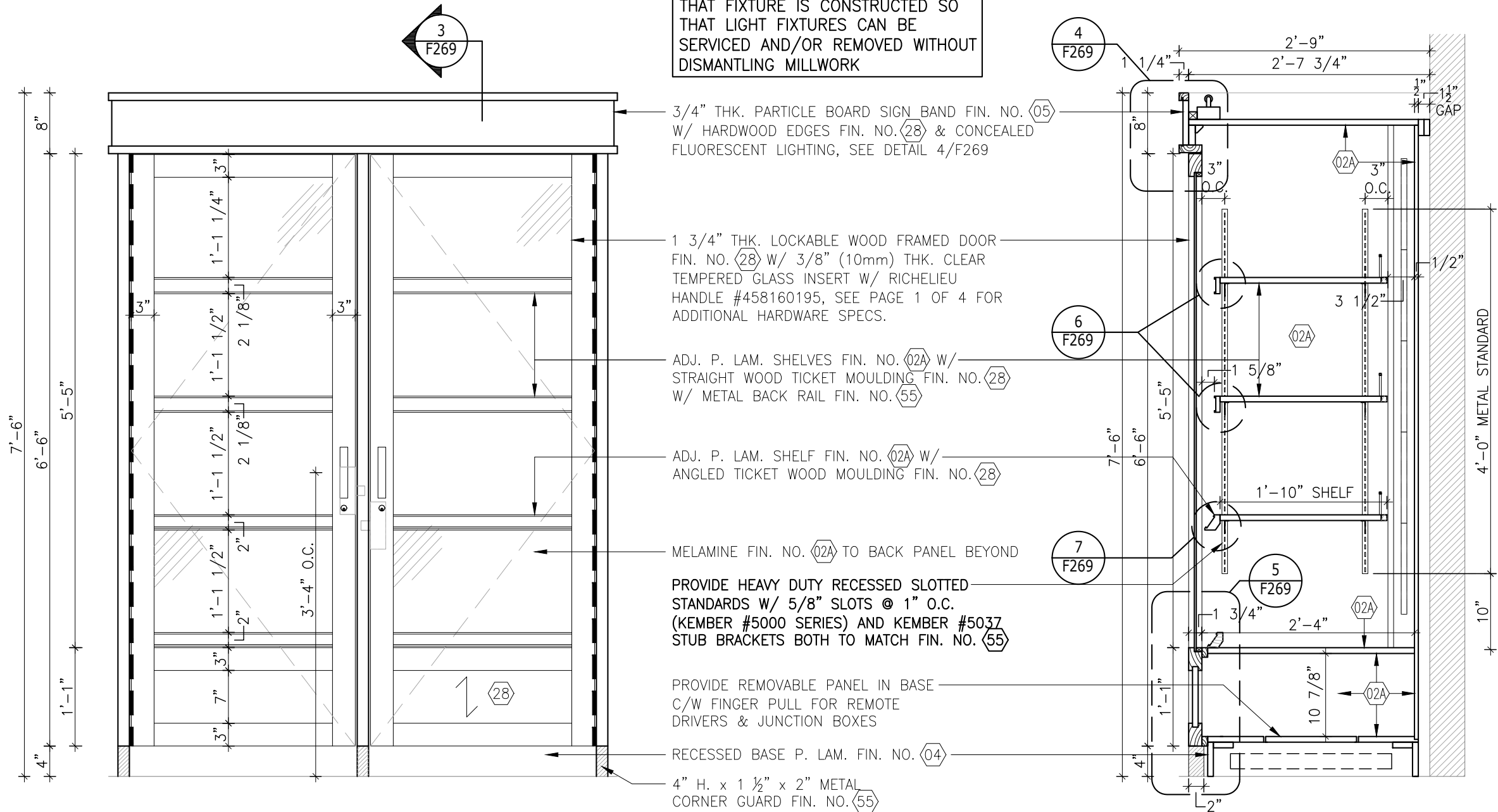
DOOR PULL BY RICHELIEU
MODEL: #458160195 (BRUSHED NICKEL FINISH)

HEAVY DUTY RECESSED SLOTTED
STANDARDS W/ 5/8" SLOTS @ 1" O.C.
(KEMBER #5000 SERIES) AND KEMBER #5037
STUB BRACKETS BOTH TO MATCH FIN. NO. (55)

LCBO	200 GENERAL LIST	REVISION DATE	REV.	1 of 4	ISSUE DATE	STORE TYPE	STORE #
	2-MODULE GENERAL LIST PERIMETER LOCKABLE DISPLAY (7'-6" H.)	2017 NOV	15	F269			

NOTE:
SOLID WOOD GRADE TO BE FAS

NOTE:
MILLWORK CONTRACTOR TO ENSURE
THAT FIXTURE IS CONSTRUCTED SO
THAT LIGHT FIXTURES CAN BE
SERVICED AND/OR REMOVED WITHOUT
DISMANTLING MILLWORK



2 ELEVATION
F269 3/4" = 1'-0"

3 SECTION
F269 3/4" = 1'-0"

3/4" THK. PARTICLE BOARD SIGN BAND FIN. NO. (05)
W/ HARDWOOD EDGES FIN. NO. (28) & CONCEALED
FLUORESCENT LIGHTING, SEE DETAIL 4/F269

1 3/4" THK. LOCKABLE WOOD FRAMED DOOR
FIN. NO. (28) W/ 3/8" (10mm) THK. CLEAR
TEMPERED GLASS INSERT W/ RICHELIEU
HANDLE #458160195, SEE PAGE 1 OF 4 FOR
ADDITIONAL HARDWARE SPECS.

ADJ. P. LAM. SHELVES FIN. NO. (02A) W/
STRAIGHT WOOD TICKET MOULDING FIN. NO. (28)
W/ METAL BACK RAIL FIN. NO. (55)

ADJ. P. LAM. SHELF FIN. NO. (02A) W/
ANGLED TICKET WOOD MOULDING FIN. NO. (28)

MELAMINE FIN. NO. (02A) TO BACK PANEL BEYOND
PROVIDE HEAVY DUTY RECESSED SLOTTED
STANDARDS W/ 5/8" SLOTS @ 1" O.C.
(KEMBER #5000 SERIES) AND KEMBER #5037
STUB BRACKETS BOTH TO MATCH FIN. NO. (55)

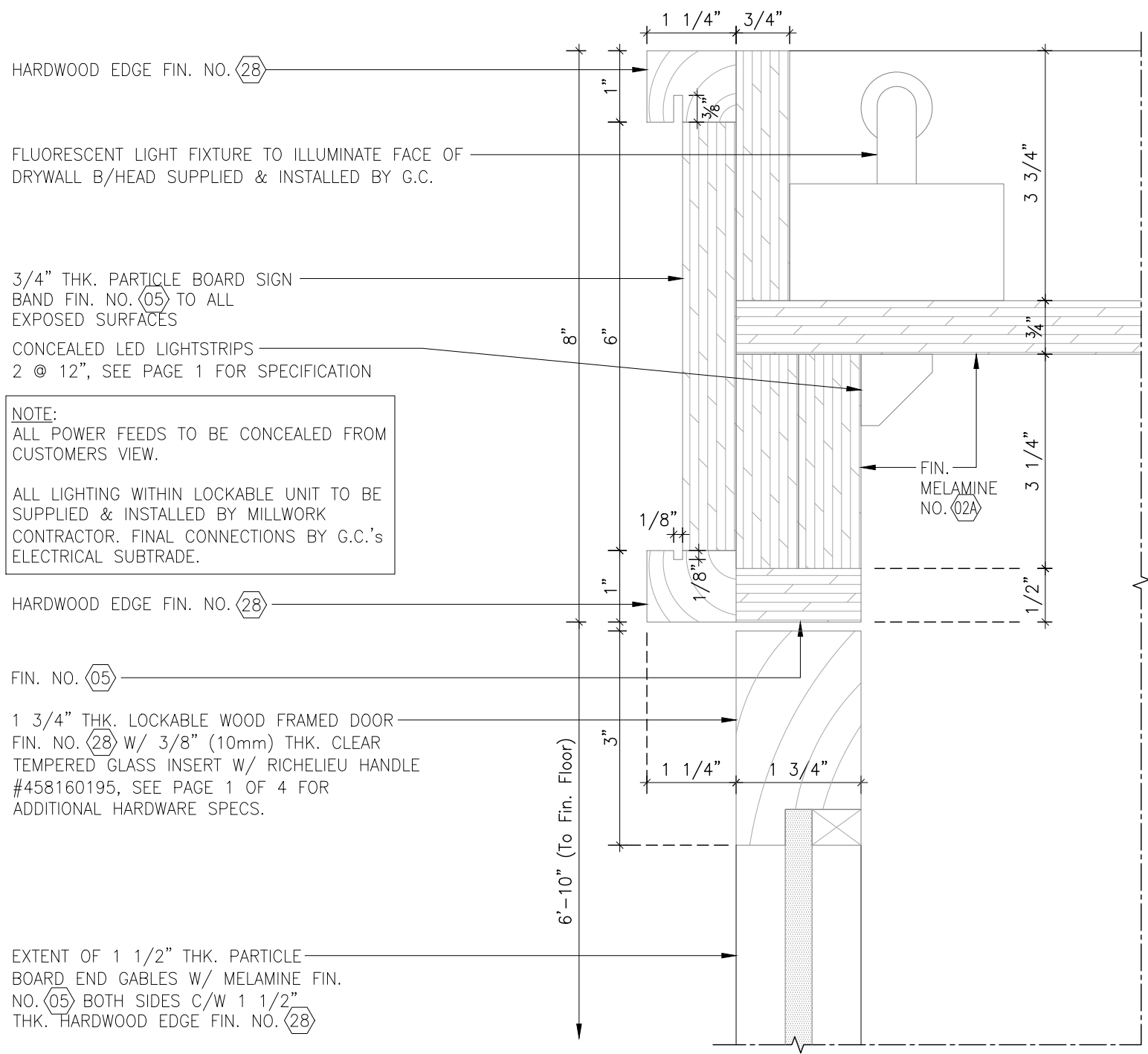
PROVIDE REMOVABLE PANEL IN BASE
C/W FINGER PULL FOR REMOTE
DRIVERS & JUNCTION BOXES

RECESSED BASE P. LAM. FIN. NO. (04)
4" H. x 1 1/2" x 2" METAL
CORNER GUARD FIN. NO. (55)

NOTE:
ALL WOOD TICKET MOULDINGS TO
ACCOMMODATE 1 3/4" PAPER TICKET

NOTE:
EACH DOOR TO HAVE INDIVIDUAL
LOCKING MECHANISM

LCBO	200 GENERAL LIST	REVISION DATE	REV.	2 of 4	ISSUE DATE	STORE TYPE	STORE #
	2-MODULE GENERAL LIST PERIMETER LOCKABLE DISPLAY (7'-6" H.)	2021 MAR	17	F269	2021 APR		



HARDWOOD EDGE FIN. NO. 28

FLUORESCENT LIGHT FIXTURE TO ILLUMINATE FACE OF DRYWALL B/HEAD SUPPLIED & INSTALLED BY G.C.

3/4" THK. PARTICLE BOARD SIGN BAND FIN. NO. 05 TO ALL EXPOSED SURFACES

CONCEALED LED LIGHTSTRIPS 2 @ 12", SEE PAGE 1 FOR SPECIFICATION

NOTE:
ALL POWER FEEDS TO BE CONCEALED FROM CUSTOMERS VIEW.

ALL LIGHTING WITHIN LOCKABLE UNIT TO BE SUPPLIED & INSTALLED BY MILLWORK CONTRACTOR. FINAL CONNECTIONS BY G.C.'s ELECTRICAL SUBTRADE.

HARDWOOD EDGE FIN. NO. 28

FIN. NO. 05

1 3/4" THK. LOCKABLE WOOD FRAMED DOOR FIN. NO. 28 W/ 3/8" (10mm) THK. CLEAR TEMPERED GLASS INSERT W/ RICHELIEU HANDLE #458160195, SEE PAGE 1 OF 4 FOR ADDITIONAL HARDWARE SPECS.

EXTENT OF 1 1/2" THK. PARTICLE BOARD END GABLES W/ MELAMINE FIN. NO. 05 BOTH SIDES C/W 1 1/2" THK. HARDWOOD EDGE FIN. NO. 28

4 SECTION-DETAIL
6" = 1'-0"

NOTE:
ALL WOOD TICKET MOULDINGS TO ACCOMMODATE 1 3/4" PAPER TICKET

MELAMINE FIN. NO. 02A TO GABLE BEYOND

FIXED HARDWOOD TICKET MOULDING (ANGLED) FIN. NO. 28

1 3/4" THK. LOCKABLE WOOD FRAMED DOOR FIN. NO. 28 (ALL SIDES) W/ 3/8" (10mm) THK. CLEAR TEMPERED GLASS INSERT W/ RICHELIEU HANDLE #458160195, SEE PAGE 1 OF 4 FOR ADDITIONAL HARDWARE SPECS.

NOTE:
SOLID WOOD GRADE TO BE FAS

MAPLE VENEER TO MATCH FIN. NO. 28

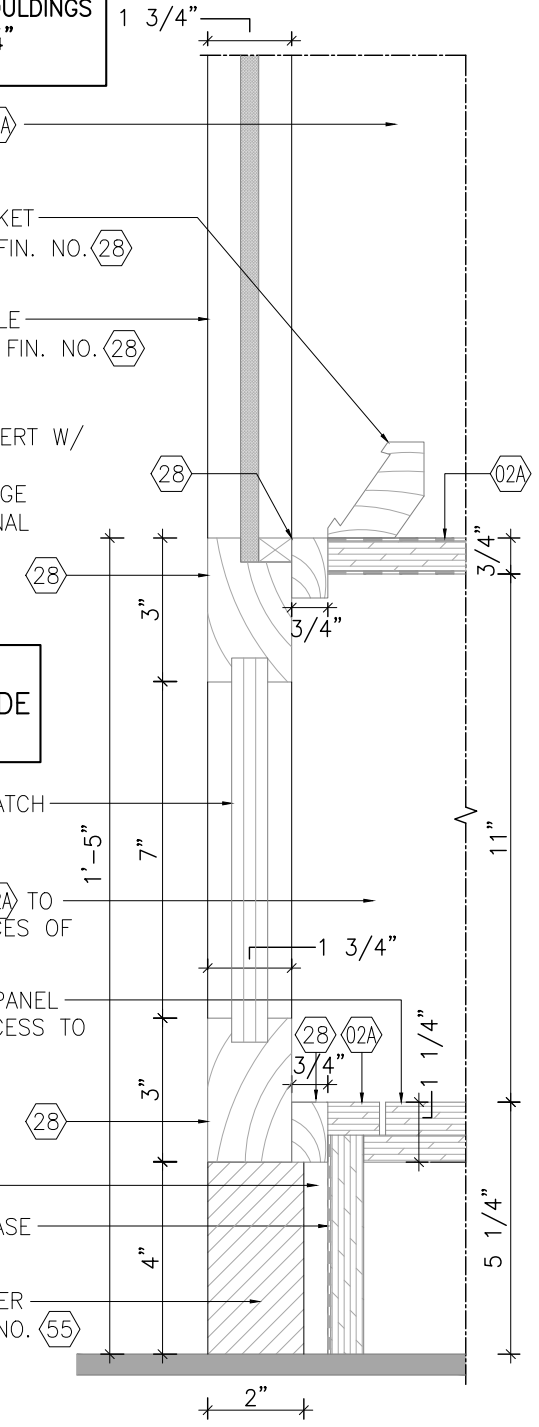
MELAMINE FIN. NO. 02A TO ALL INTERIOR SURFACES OF LOCKABLE CABINET

REMOVABLE ACCESS PANEL FIN. NO. 02A FOR ACCESS TO REMOTE BALLASTS

P. LAM. FIN. NO. 04

RECESSED P. LAM. BASE FIN. NO. 04

4" HIGH METAL CORNER GUARD BEYOND FIN. NO. 55



5 DETAIL
3" = 1'-0"

LCBO	200 GENERAL LIST	REVISION DATE	REV.	3 of 4	ISSUE DATE	STORE TYPE	STORE #
	2-MODULE GENERAL LIST PERIMETER LOCKABLE DISPLAY (7'-6" H.)	2021 MAR	17	F269	2021 APR		

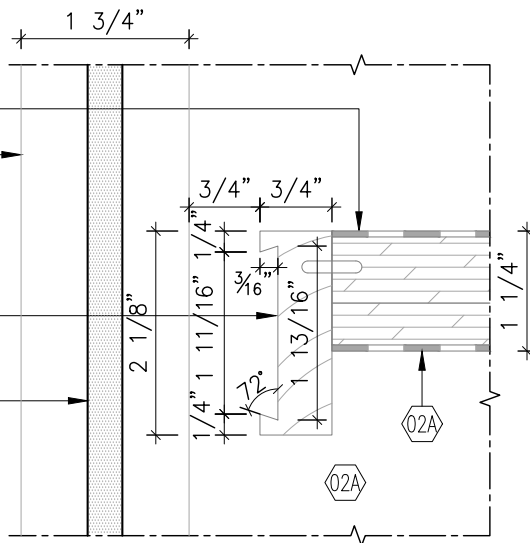
NOTE:
ALL WOOD TICKET MOULDINGS TO
ACCOMMODATE 1 3/4" PAPER TICKET

3/4" THK. PARTICLE BRD. SHELF W/
MELAMINE FIN. NO. (02A) TO BOTH SIDES

EXTENT OF PARTICLE BOARD
GABLE BEYOND
FIN. NO. (05) WITH 1" THICK
HARDWOOD TRIM FIN. NO. (28)

HARDWOOD TICKET MOULDING
(STRAIGHT) FIN. NO. (28)

1 3/4" THK. LOCKABLE WOOD
FRAMED DOOR FIN. NO. (28) W/
3/8" (10mm) THK. CLEAR
TEMPERED GLASS INSERT W/
RICHELIEU HANDLE #458160195,
SEE PAGE 1 OF 4 FOR
ADDITIONAL HARDWARE SPECS.



6 DETAIL
F269 6" = 1'-0"

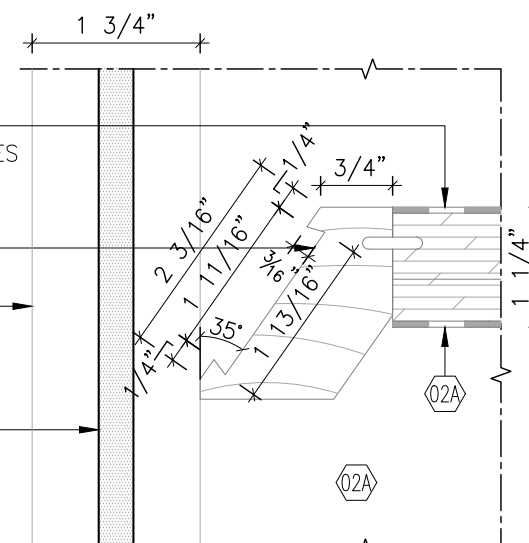
NOTE:
ALL WOOD TICKET MOULDINGS TO
ACCOMMODATE 1 3/4" PAPER TICKET

3/4" THK. PARTICLE BRD. SHELF W/
MELAMINE FIN. NO. (02A) TO BOTH SIDES

HARDWOOD TICKET MOULDING
(ANGLED) FIN. NO. (28)

EXTENT OF PARTICLE BOARD
GABLE BEYOND FIN. NO. (05) W/
1" THICK HARDWOOD TRIM FIN. NO. (28)

1 3/4" THK. LOCKABLE WOOD
FRAMED DOOR FIN. NO. (28) W/
3/8" (10mm) THK. CLEAR
TEMPERED GLASS INSERT W/
RICHELIEU HANDLE #458160195,
SEE PAGE 1 OF 4 FOR
ADDITIONAL HARDWARE SPECS.



7 DETAIL
F269 6" = 1'-0"

L.E.D. LIGHTSTRIPS;
PROVIDE 24 @ 12" LENGTH AS
INDICATED WITHIN MILLWORK.

LED LIGHTSTRIPS BY TECHNILITE:
MODEL#: L3-32-GI-SEB
LENGTH=12"
OUTPUT=2.4 WATTS / 97 LUMENS PER FT.
COLOUR TEMP. 3200°K
DURATION: 50,000 HRS

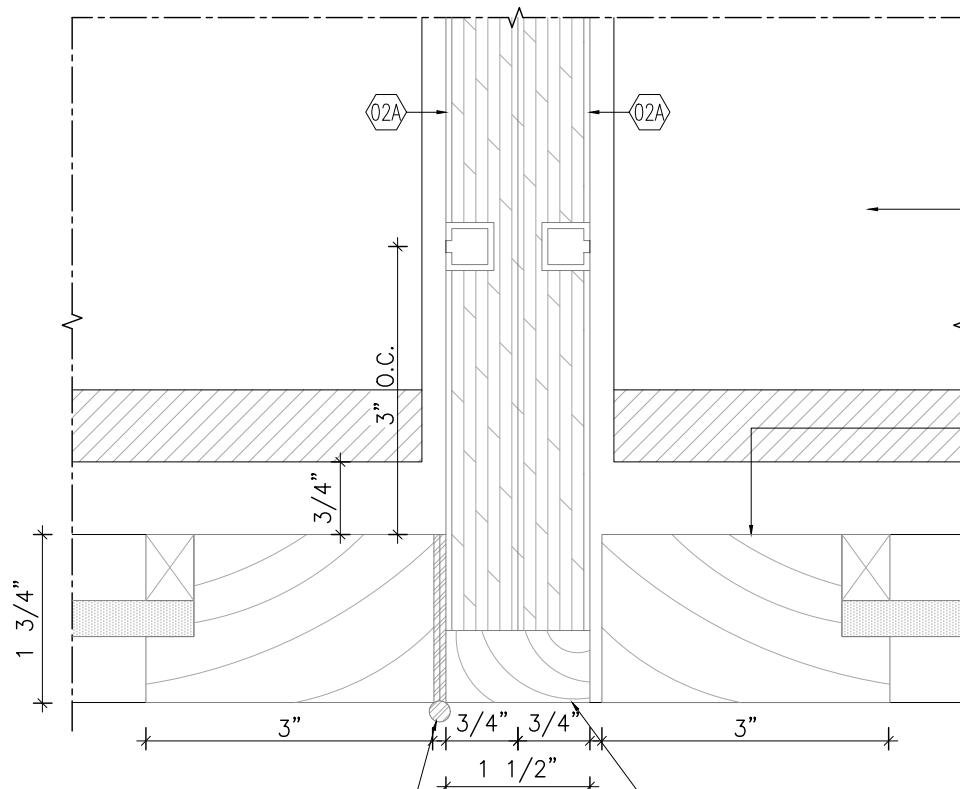
*ALL L.E.D. LIGHTING AND ASSOCIATED
COMPONENTS TO BE SUPPLIED &
INSTALLED BY MILLWORK CONTRACTOR,
FINAL CONNECTION BY G.C.'S
ELECTRICAL SUBTRADE. ENSURE ALL
WIRING/DRIVERS ARE CONCEALED
FROM CUSTOMER'S VIEW.

NOTE:
SOLID WOOD GRADE
TO BE FAS

ADJUSTABLE SHELF W/ HARDWOOD
TICKET MOULDING FIN. NO. (28) &
P. LAM. FIN. NO. (02A)

L.E.D. STRIPLIGHTS, SEE SPEC.
THIS PAGE

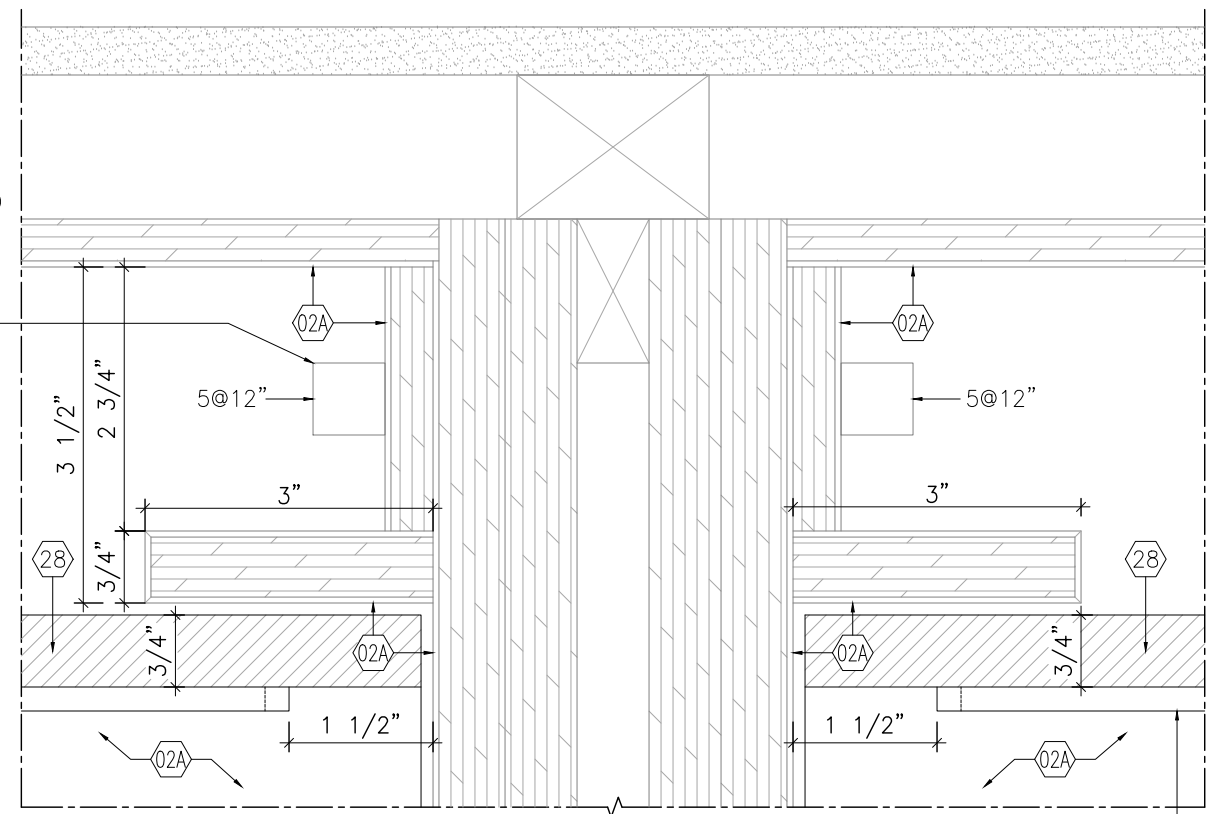
1 3/4" THK. LOCKABLE WOOD
FRAMED DOOR FIN. NO. (28) W/
3/8" (10mm) THK. CLEAR
TEMPERED GLASS INSERT W/
RICHELIEU HANDLE #458160195,
SEE PAGE 1 OF 4 FOR
ADDITIONAL HARDWARE SPECS.



PIANO HINGE, REFER TO PAGE 1 OF 4
FOR HARDWARE SPECIFICATIONS

8 DETAIL
F269 6" = 1'-0"

HARDWOOD EDGE FIN. NO. (28)



1/4" SQ. METAL RAIL FIN. NO. (55)

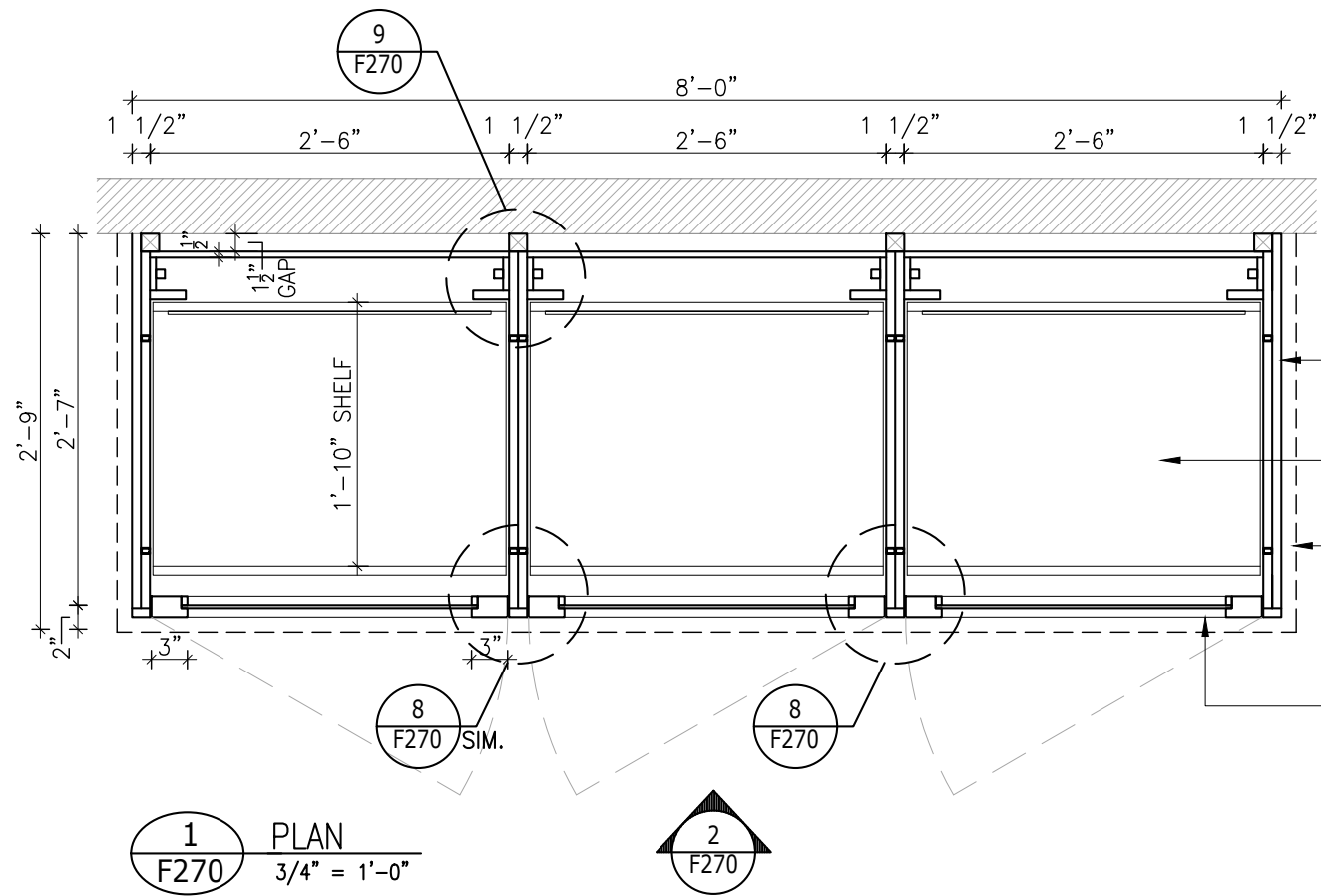
9 DETAIL
F269 6" = 1'-0"

LCBO

200 GENERAL LIST

2-MODULE GENERAL LIST PERIMETER LOCKABLE DISPLAY (7'-6" H.)

REVISION DATE	REV.	4 of 4	ISSUE DATE	STORE TYPE	STORE #
2021 MAR	17	F269	2021 APR		



1 PLAN
 F270 3/4" = 1'-0"

NOTE:
 SOLID WOOD GRADE TO BE FAS

NOTE:
 LOCKS FOR F204, F205, F255, F256, F268, F269, F270, F276, F277, F278, F305, F307, F331, F333, F358, F359, F360, F361, F407, F415 AND F416 TO BE KEYED ALIKE

P. LAM. FIN. NO. **05** TO SIDE (GRAIN DIRECTION TO RUN VERTICALLY)

ADJ. P. LAM. SHELVES FIN. NO. **02A** W/ WOOD TICKET MOULDING FIN. NO. **28**

DOTTED LINES OF 3/4" THK. PARTICLE BOARD SIGN BAND FIN. NO. **05** W/ HARDWOOD EDGES FIN. NO. **28** & CONCEALED FLUORESCENT LIGHTING, SEE DETAIL 4/F270

1 3/4" THK. LOCKABLE WOOD FRAMED DOOR FIN. NO. **28** W/ 3/8" (10mm) THK. CLEAR TEMPERED GLASS INSERT W/ RICHELIEU HANDLE #458160195, SEE THIS PAGE FOR ADDITIONAL HARDWARE SPECS.

NOTE:
 ALL WOOD TICKET MOULDINGS TO ACCOMMODATE 1 3/4" PAPER TICKET

NOTE:
 MILLWORK CONTRACTOR TO ENSURE THAT FIXTURE IS CONSTRUCTED SO THAT LIGHT FIXTURES CAN BE SERVICED AND/OR REMOVED WITHOUT DISMANTLING MILLWORK

GENERAL NOTES:
 ALL VERTICAL SURFACES ON THE INTERIOR (GABLES, BACK PANELS, AND DIVIDERS) ARE TO BE CONSTRUCTED OF PREFINISHED PARTICLE BOARD PANELS W/ MELAMINE FIN. NO. **02A** BOTH SIDES. MILLWORK CONTRACTOR TO PROVIDE HARDWOOD EDGE IN FIN. NO. **28** TO ALL EXPOSED EDGES.

NOTE:
 MILLWORK CONTRACTOR TO PROVIDE (1) COAT OF URETHANE SEALER AND (2) TOP COATS OF SATIN LACQUER TO FIN. NO. **28**

MILLWORK CONTRACTOR TO ENSURE THAT ALL SHELVES ARE IN EXACT ALIGNMENT WITH ADJACENT F201 & F202 UNITS.

HARDWARE SPECIFICATIONS:

ADAM RITE DEADLOCK #ARMS1850S410628
 MORTISE CYLINDER #LSM1002SCC26D
 1" C/W (2) KEYS CLEAR ANODIZED ALUMINUM FINISH
 STRIKE FOR HOOK BOLT #ARMS4001031628
 SPACER RING #IL861F2810 - 1/4" THK.
 CLEAR ANODIZED ALUMINUM
NOTE: LOCK CYLINDER TO BE SUPPLIED & INSTALLED BY LCBO, FITUP BY G.C.

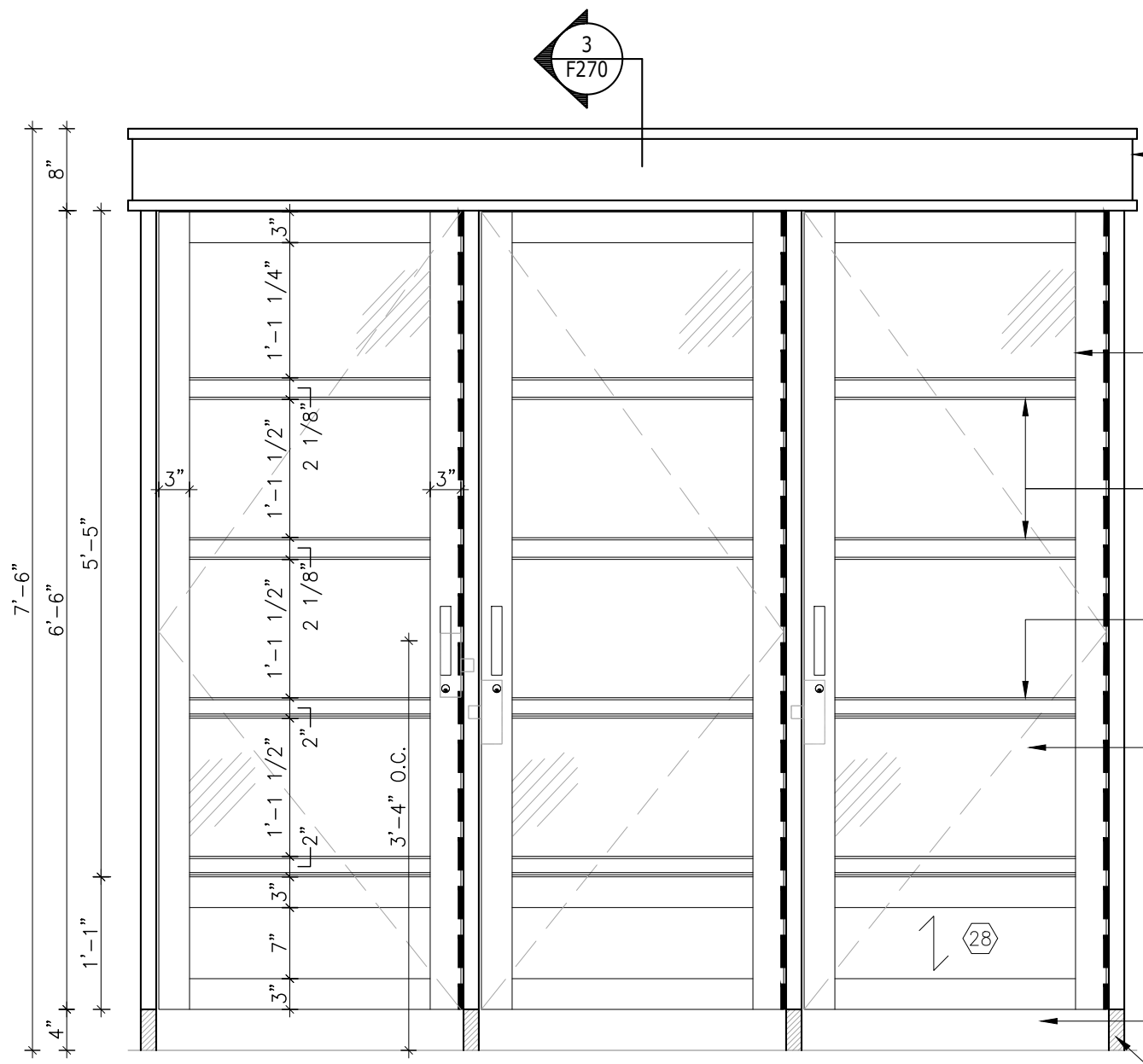
3" .060 GA 8FT LONG CONTINUOUS PIANO HINGE BY RICHELIEU
 MODEL: #76096180 (BRUSHED NICKEL FINISH)
 DOOR PULL BY RICHELIEU
 MODEL: #458160195 (BRUSHED NICKEL FINISH)

HEAVY DUTY RECESSED SLOTTED STANDARDS W/ 5/8" SLOTS @ 1" O.C. (KEMBER #5000 SERIES) AND KEMBER #5037 STUB BRACKETS BOTH TO MATCH FIN. NO. **55**

LCBO	200 GENERAL LIST	REVISION DATE	REV.	1 of 4	ISSUE DATE	STORE TYPE	STORE #
	3-MODULE GENERAL LIST PERIMETER LOCKABLE DISPLAY (7'-6" H.)	2021 MAR	17	F270	2021 APR		

NOTE:
SOLID WOOD GRADE TO BE FAS

NOTE:
MILLWORK CONTRACTOR TO ENSURE
THAT FIXTURE IS CONSTRUCTED SO
THAT LIGHT FIXTURES CAN BE
SERVICED AND/OR REMOVED WITHOUT
DISMANTLING MILLWORK



2 ELEVATION
F270 3/4" = 1'-0"

3/4" THK. PARTICLE BOARD SIGN BAND FIN. NO. (05)
W/ HARDWOOD EDGES FIN. NO. (28) & CONCEALED
FLUORESCENT LIGHTING, SEE DETAIL 4/F270

1 3/4" THK. LOCKABLE WOOD FRAMED DOOR
FIN. NO. (28) W/ 3/8" (10mm) THK. CLEAR
TEMPERED GLASS INSERT W/ RICHELIEU
HANDLE #458160195, SEE PAGE 1 OF 4 FOR
ADDITIONAL HARDWARE SPECS.

ADJ. P. LAM. SHELVES FIN. NO. (02A) W/
STRAIGHT WOOD TICKET MOULDING FIN. NO. (28)
W/ METAL BACK RAIL FIN. NO. (55)

ADJ. P. LAM. SHELF FIN. NO. (02A) W/
ANGLED TICKET WOOD MOULDING FIN. NO. (28)

MELAMINE FIN. NO. (02A) TO BACK PANEL BEYOND
PROVIDE HEAVY DUTY RECESSED SLOTTED
STANDARDS W/ 5/8" SLOTS @ 1" O.C.
(KEMBER #5000 SERIES) AND KEMBER #5037
STUB BRACKETS BOTH TO MATCH FIN. NO. (55)

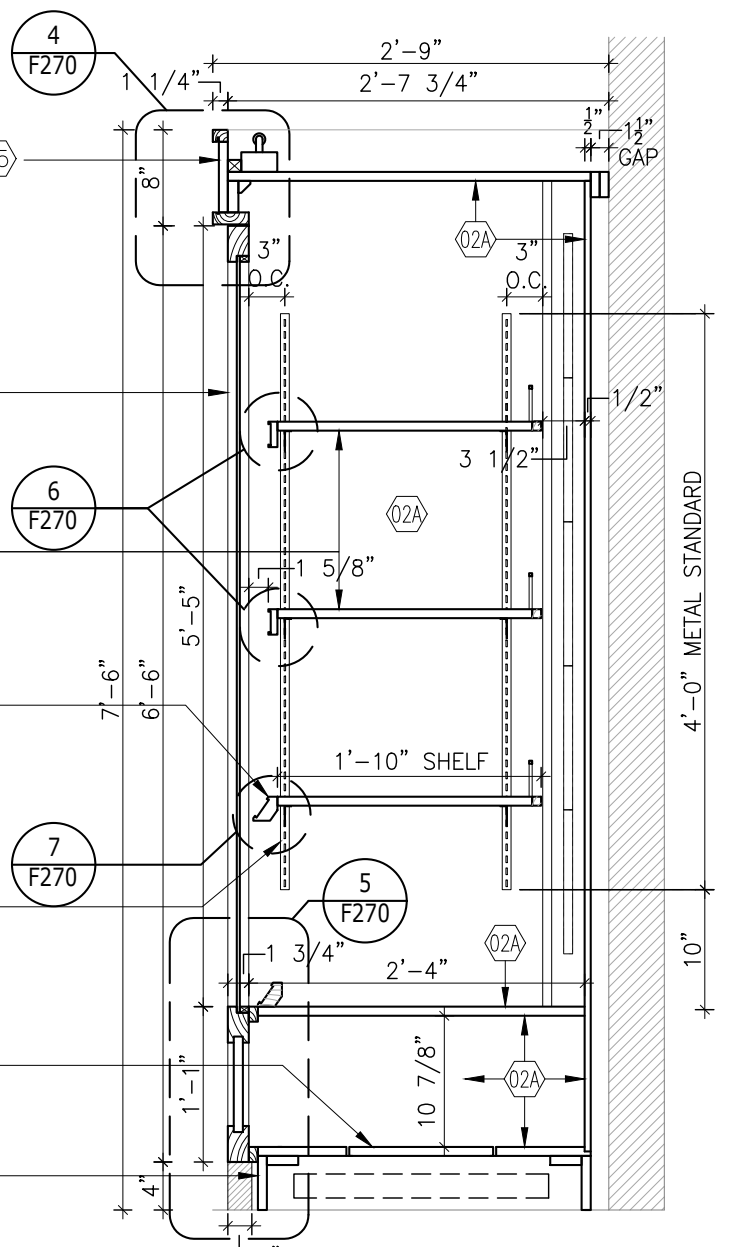
PROVIDE REMOVABLE PANEL IN BASE
C/W FINGER PULL FOR REMOTE
DRIVERS & JUNCTION BOXES

RECESSED BASE P. LAM. FIN. NO. (04)

4" H. x 1 1/2" x 2" METAL
CORNER GUARD FIN. NO. (55)

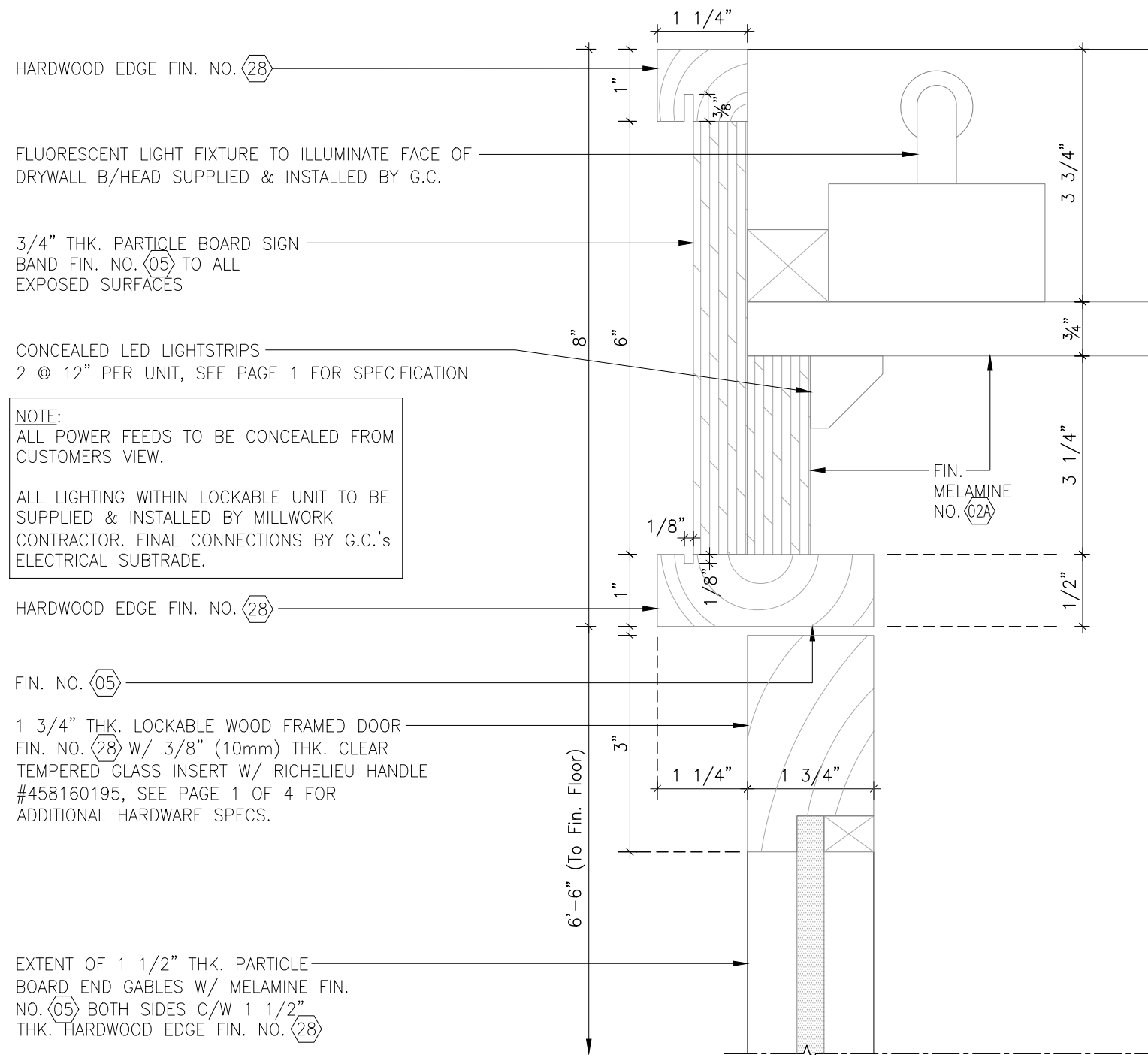
NOTE:
ALL WOOD TICKET MOULDINGS TO
ACCOMMODATE 1 3/4" PAPER TICKET

NOTE:
EACH DOOR TO HAVE INDIVIDUAL
LOCKING MECHANISM



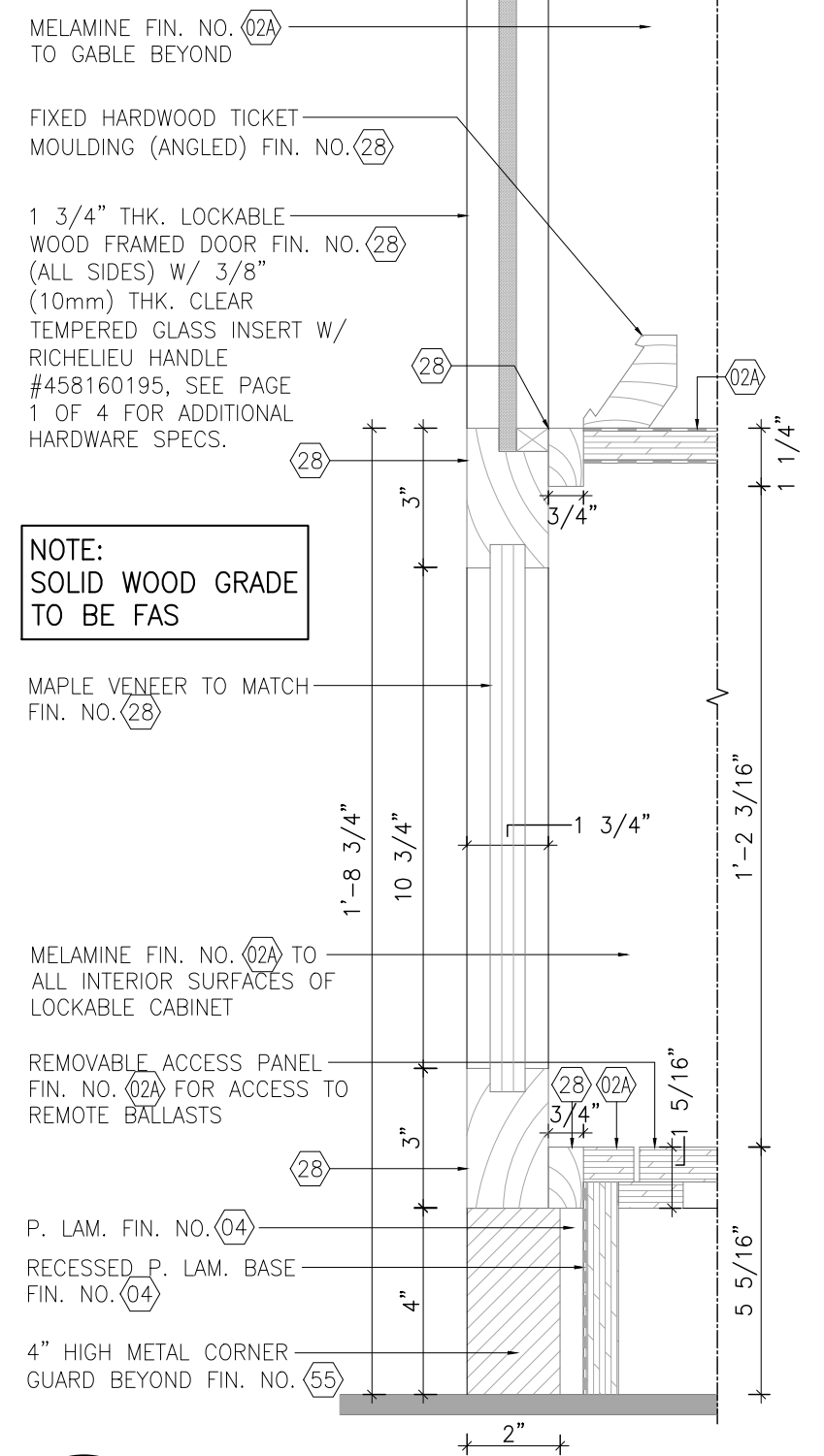
3 SECTION
F270 3/4" = 1'-0"

LCBO	200 GENERAL LIST	REVISION DATE	REV.	2 of 4	ISSUE DATE	STORE TYPE	STORE #
	3-MODULE GENERAL LIST PERIMETER LOCKABLE DISPLAY (7'-6" H.)	2021 MAR	17	F270	2021 APR		



4 SECTION-DETAIL
F270 6" = 1'-0"

NOTE:
ALL WOOD TICKET MOULDINGS TO ACCOMMODATE 1 3/4" PAPER TICKET



5 DETAIL
F270 3" = 1'-0"

LCBO	200 GENERAL LIST	REVISION DATE	REV.	3 of 4	ISSUE DATE	STORE TYPE	STORE #
	3-MODULE GENERAL LIST PERIMETER LOCKABLE DISPLAY (7'-6" H.)	2021 MAR	17	F270	2021 APR		

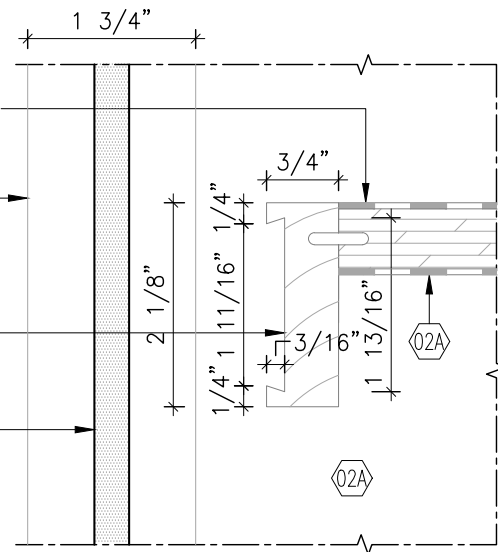
NOTE:
ALL WOOD TICKET MOULDINGS TO
ACCOMMODATE 1 3/4" PAPER TICKET

3/4" THK. PARTICLE BRD. SHELF W/
MELAMINE FIN. NO. (02A) TO BOTH SIDES

EXTENT OF PARTICLE BOARD
GABLE BEYOND
FIN. NO. (05) WITH 1" THICK
HARDWOOD TRIM FIN. NO. (28)

HARDWOOD TICKET MOULDING
(STRAIGHT) FIN. NO. (28)

1 3/4" THK. LOCKABLE WOOD
FRAMED DOOR FIN. NO. (28) W/
3/8" (10mm) THK. CLEAR
TEMPERED GLASS INSERT W/
RICHELIEU HANDLE #458160195,
SEE PAGE 1 OF 4 FOR
ADDITIONAL HARDWARE SPECS.



6
F270
6" = 1'-0"

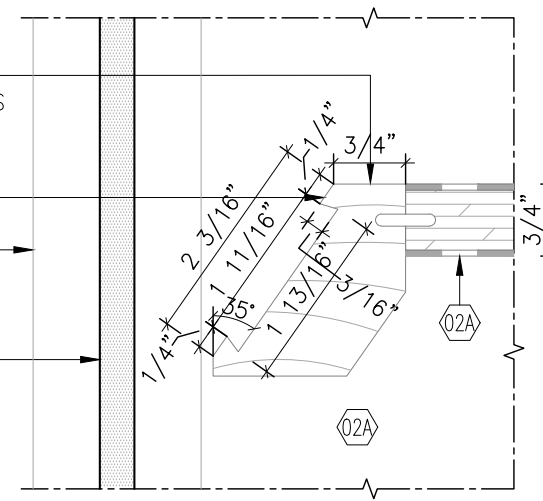
NOTE:
ALL WOOD TICKET MOULDINGS TO
ACCOMMODATE 1 3/4" PAPER TICKET

3/4" THK. PARTICLE BRD. SHELF W/
MELAMINE FIN. NO. (02A) TO BOTH SIDES

HARDWOOD TICKET MOULDING
(ANGLED) FIN. NO. (28)

EXTENT OF PARTICLE BOARD
GABLE BEYOND FIN. NO. (05) W/
1" THICK HARDWOOD TRIM FIN. NO. (28)

1 3/4" THK. LOCKABLE WOOD
FRAMED DOOR FIN. NO. (28) W/
3/8" (10mm) THK. CLEAR
TEMPERED GLASS INSERT W/
RICHELIEU HANDLE #458160195,
SEE PAGE 1 OF 4 FOR
ADDITIONAL HARDWARE SPECS.

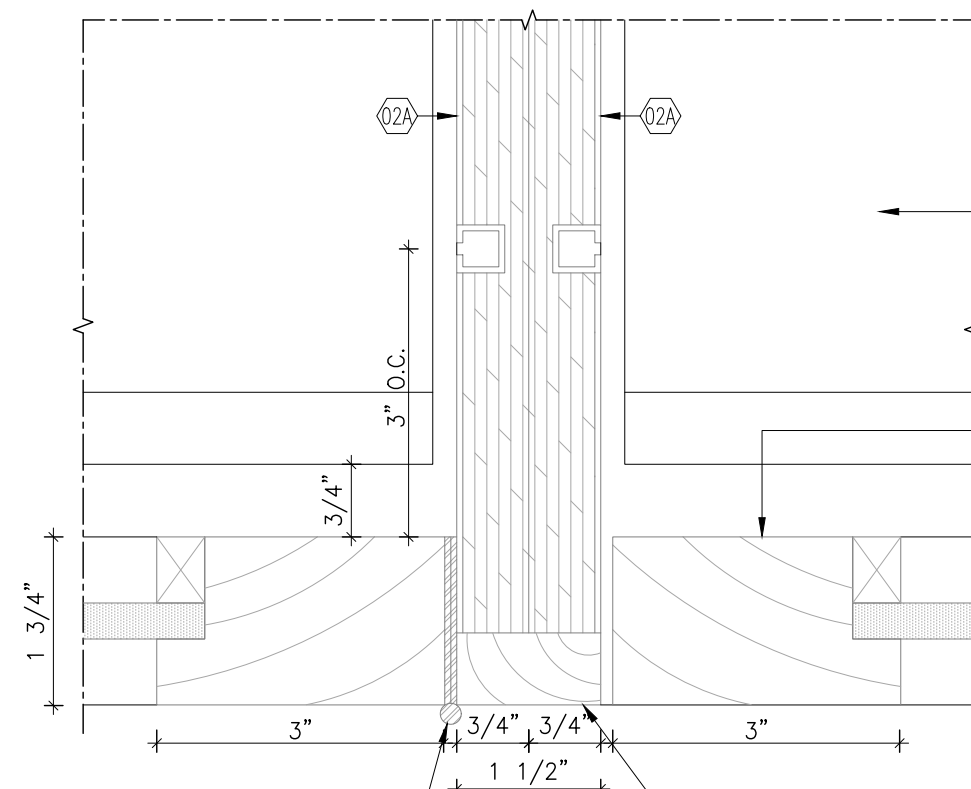


7
F270
6" = 1'-0"

L.E.D. LIGHTSTRIPS:
PROVIDE 36 @ 12" LENGTH AS
INDICATED WITHIN MILLWORK.

LED LIGHTSTRIPS BY TECHNILITE:
MODEL#: L3-32-GI-SEB
LENGTH=12"
OUTPUT=2.4 WATTS / 97 LUMENS PER FT.
COLOUR TEMP. 3200°K
DURATION: 50,000 HRS

*ALL L.E.D. LIGHTING AND ASSOCIATED
COMPONENTS TO BE SUPPLIED &
INSTALLED BY MILLWORK CONTRACTOR,
FINAL CONNECTION BY G.C.'S
ELECTRICAL SUBTRADE. ENSURE ALL
WIRING/DRIVERS ARE CONCEALED
FROM CUSTOMER'S VIEW.



PIANO HINGE, REFER TO PAGE 1 OF 4
FOR HARDWARE SPECIFICATIONS

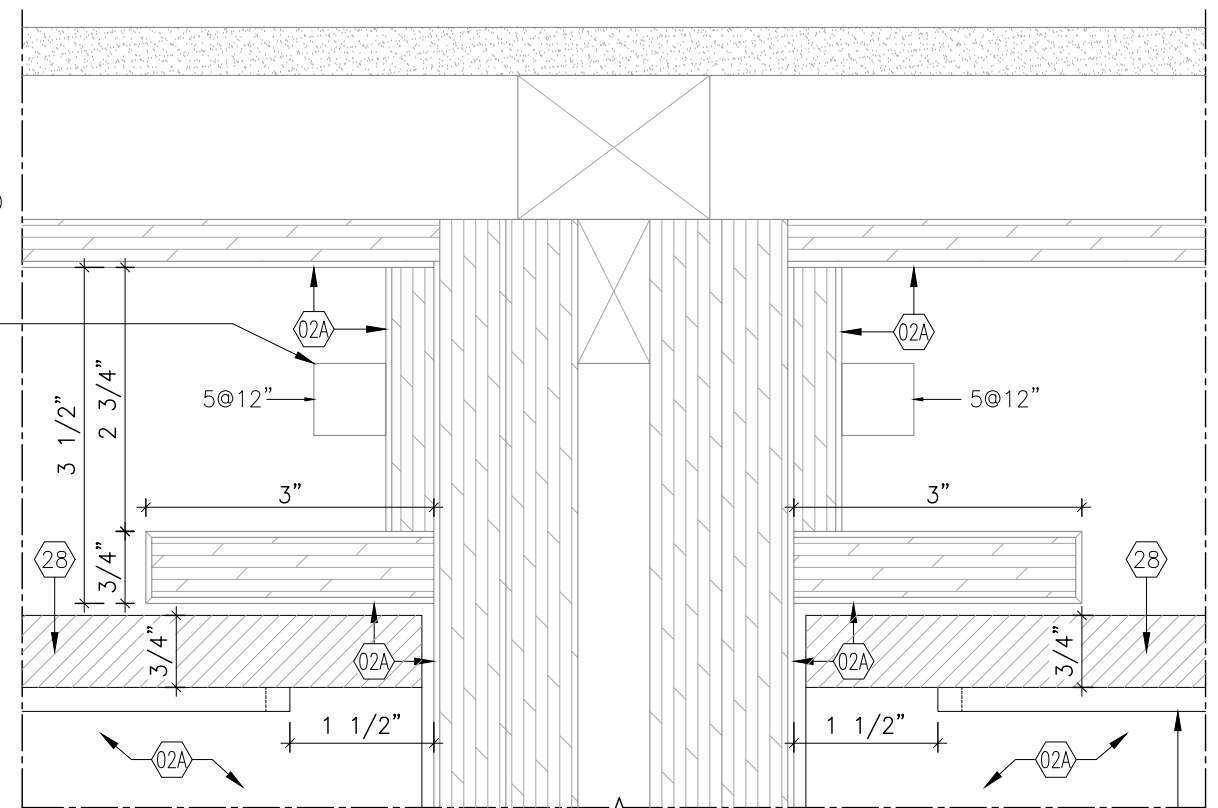
8
F270
6" = 1'-0"

NOTE:
SOLID WOOD GRADE
TO BE FAS

ADJUSTABLE SHELF W/ HARDWOOD
TICKET MOULDING FIN. NO. (28) &
P. LAM. FIN. NO. (02A)

L.E.D. STRIPLIGHTS, SEE SPEC.
THIS PAGE

1 3/4" THK. LOCKABLE WOOD
FRAMED DOOR FIN. NO. (28) W/
3/8" (10mm) THK. CLEAR
TEMPERED GLASS INSERT W/
RICHELIEU HANDLE #458160195,
SEE PAGE 1 OF 4 FOR
ADDITIONAL HARDWARE SPECS.



1/4" SQ. METAL RAIL FIN. NO. (55)

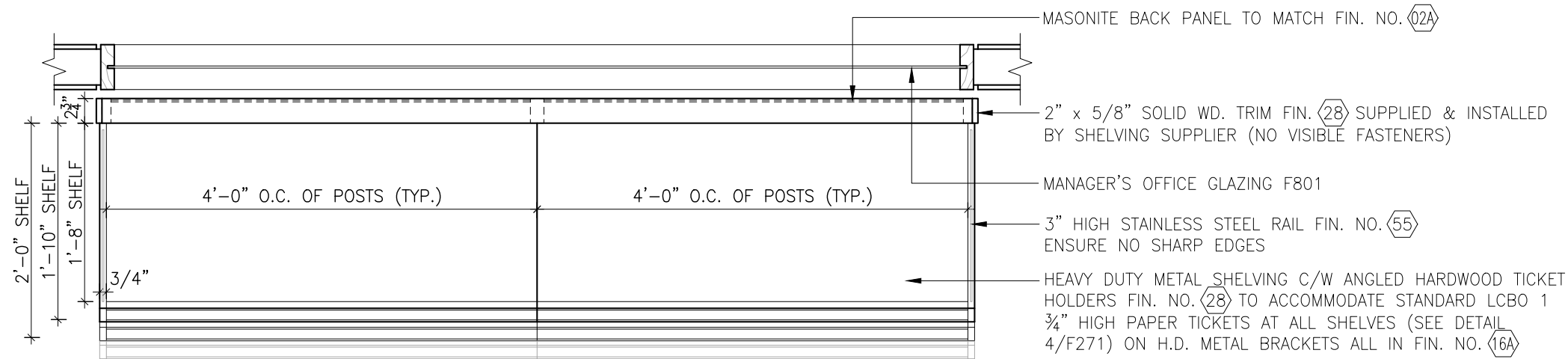
9
F270
6" = 1'-0"

LCBO

200 GENERAL LIST

3-MODULE GENERAL LIST PERIMETER LOCKABLE DISPLAY (7'-6" H.)

REVISION DATE	REV.	4 of 4	ISSUE DATE	STORE TYPE	STORE #
2021 MAR	17	F270	2021 APR		

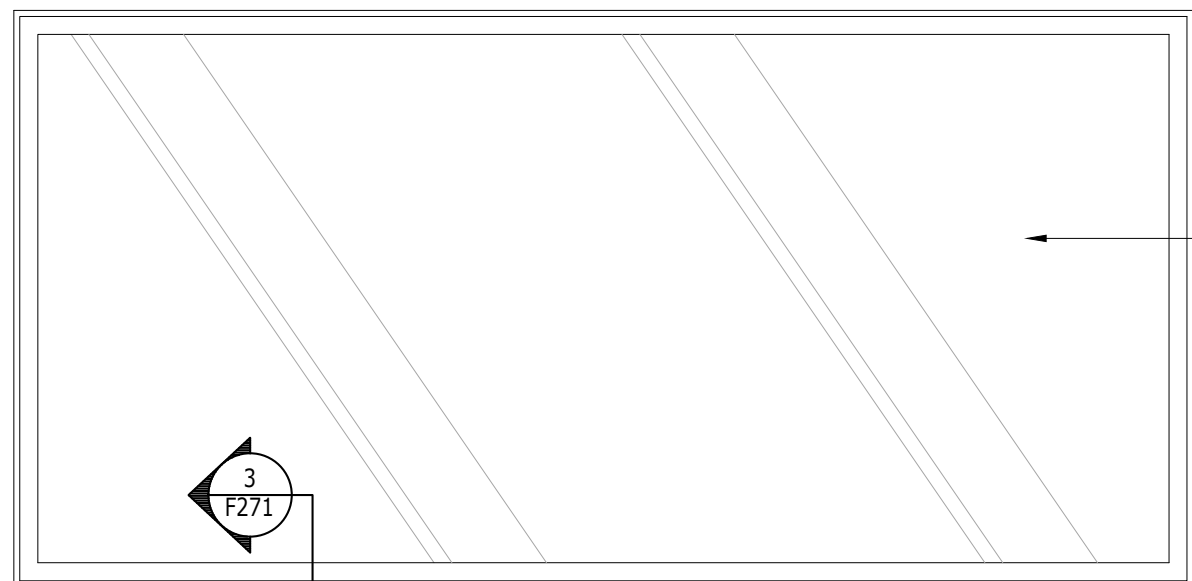


1 PLAN
F271 3/4" = 1'-0"

2 F271

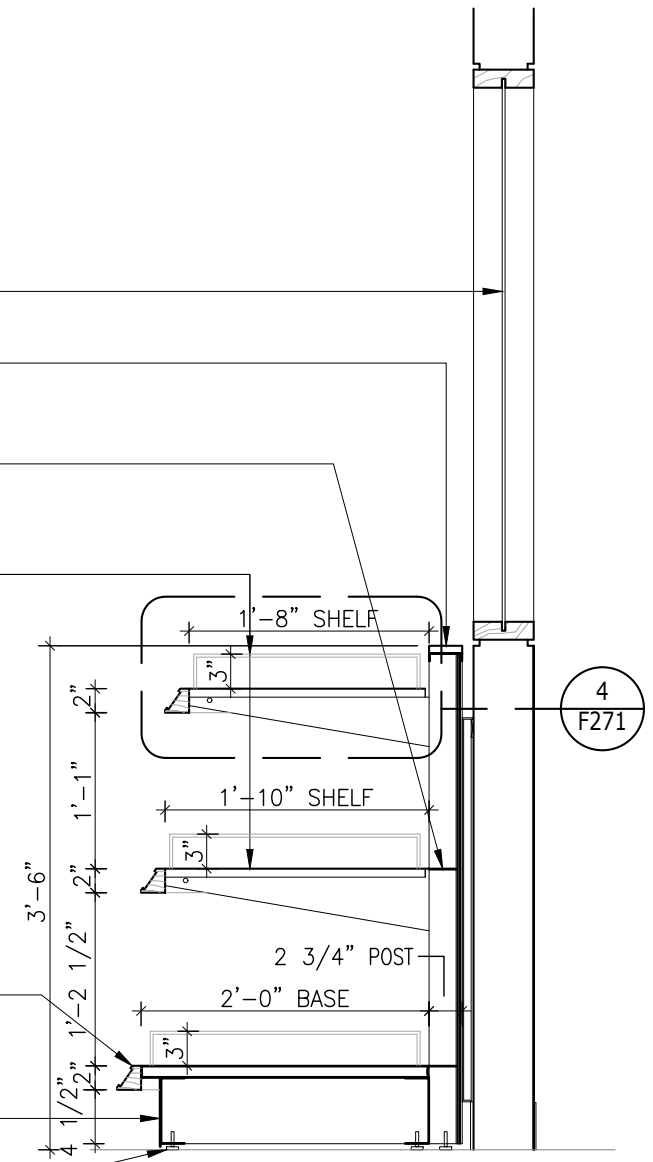
NOTE:
SOLID WOOD GRADE TO BE FAS

NOTE:
ALL WOOD TICKET MOULDINGS TO ACCOMMODATE 1 3/4" PAPER TICKET. WOOD TICKET MOULDING TO BE SUPPLIED & INSTALLED BY SHELVING SUPPLIER



2 ELEVATION
F271 3/4" = 1'-0"

- MANAGER'S OFFICE GLAZING F801
- 2" x 5/8" SOLID WD. TRIM FIN. (28) SUPPLIED & INSTALLED BY SHELVING SUPPLIER (NO VISIBLE FASTENERS)
- FRICTION-FIT METAL FILLER STRIP FIN. NO. (16A) BETWEEN POSTS (APPROXIMATELY 2 1/4" DP.) AT ALL SHELVES AND BASE
- HEAVY DUTY METAL SHELVING C/W ANGLED HARDWOOD TICKET HOLDERS FIN. NO. (28) TO ACCOMMODATE STANDARD LCBO 1 3/4" HIGH PAPER TICKETS AT ALL SHELVES (SEE DETAIL 4/F271) ON H.D. METAL BRACKETS ALL IN FIN. NO. (16A)
- 2" x 5/8" SOLID WD. TRIM FIN. (28) SUPPLIED & INSTALLED BY SHELVING SUPPLIER (NO VISIBLE FASTENERS)
- 2 3/4" x 1" x 3'-5" HIGH HEAVY DUTY SLOTTED METAL END POST (SLOTS AT 1" O.C. TYP.) FIN. (16A)
- 2 3/4" x 1 1/2" x 3'-5" HIGH HEAVY DUTY SLOTTED METAL POST (SLOTS AT 1" O.C. TYP.) FIN. (16A)
- ANGLED HARDWOOD TICKET HOLDER FIN. NO. (28) BY METAL SHELVING SUPPLIER TO ACCOMMODATE STANDARD LCBO 1 3/4" PAPER TICKETS AT BASE (SEE DETAIL 4/F271 - SIMILAR)
- RECESSED METAL BASE FIN. (17)
- HEAVY DUTY LEVELLERS



3 SECTION
F271 3/4" = 1'-0"

4 F271

LCBO	200 GENERAL LIST	REVISION DATE	REV.	1 of 2	ISSUE DATE	STORE TYPE	STORE #
	3-HIGH 48" PERIM. MET. SHELVING UNIT w/ WOOD TICKET MOULDING	2021 MAR.	17	F271	2021 APR		

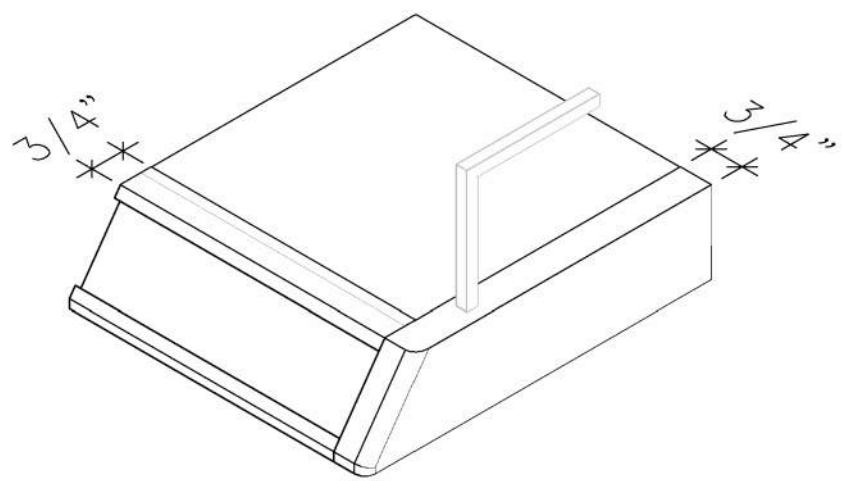
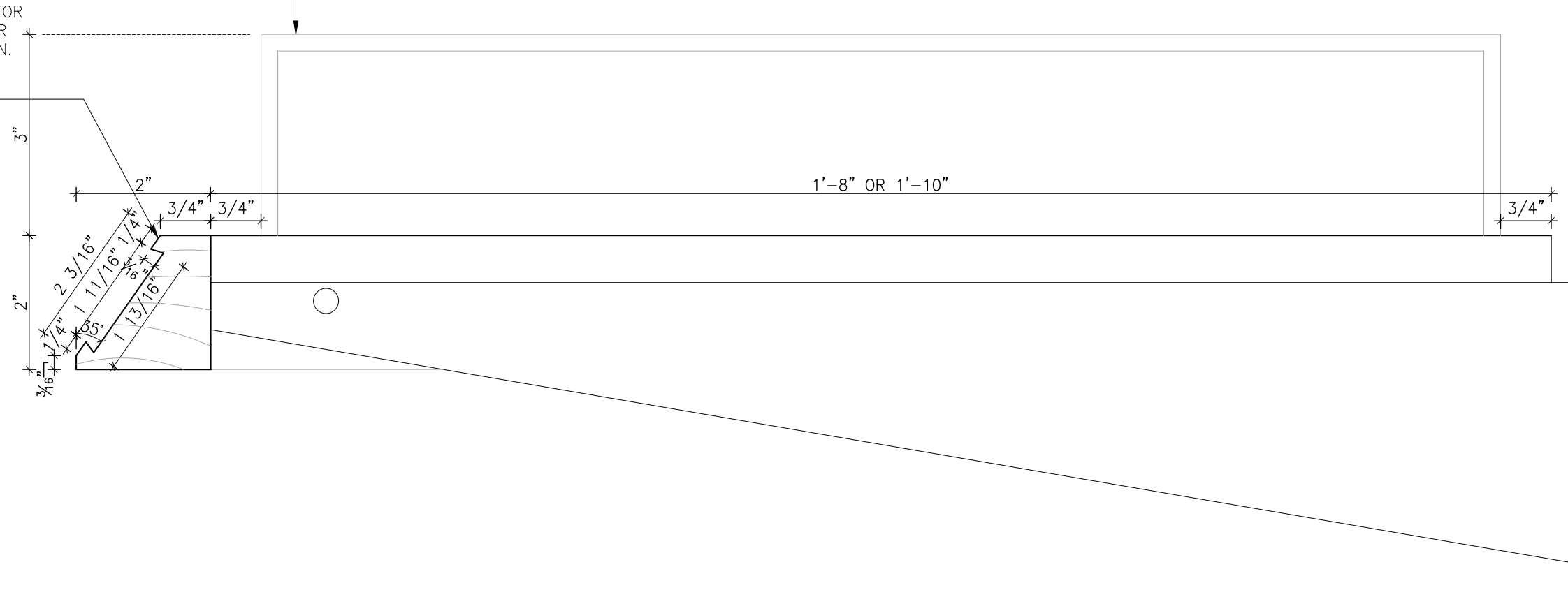
1/4" SQ. METAL RAIL
 FIN. NO. (55) TO BE SUPPLIED +
 INSTALLED BY METAL SHELVING
 SUPPLIER. METAL SHELVING
 SUPPLIER TO PRE-DRILL HOLES FOR
 METAL RAILS LOCATED AT 2 OUTER
 ENDS OF END SHELVES AS SHOWN.
 ENSURE NO SHARP EDGES.

HEAVY DUTY METAL SHELVING ON
 H.D. METAL BRACKETS ALL IN FIN.
 NO. (16A) C/W HARDWOOD TICKET
 MOULDING FIN. NO. (28) TO
 ACCOMMODATE STANDARD LCBO
 1 3/4" HIGH PAPER TICKETS

NOTE:
 SOLID WOOD GRADE
 TO BE FAS

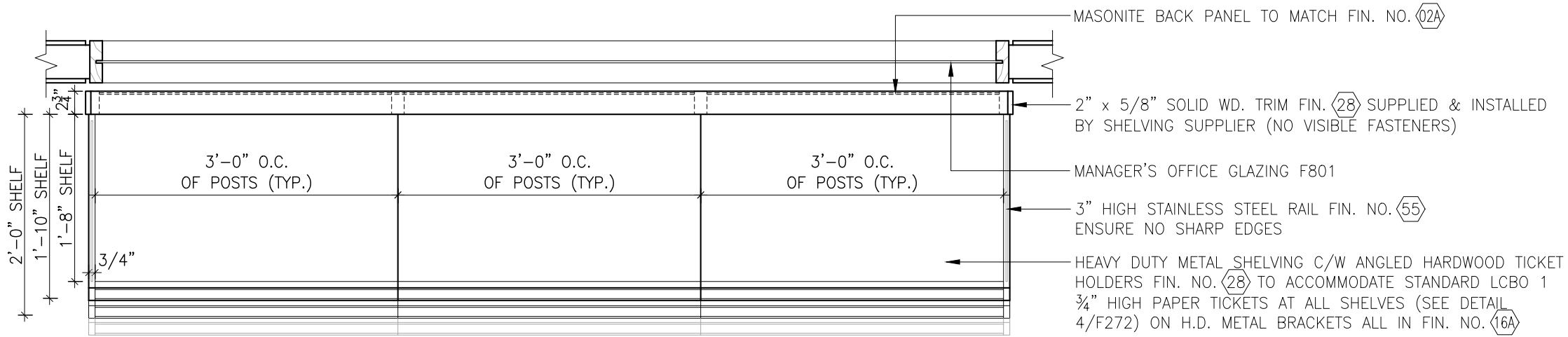
SOLID WOOD TICKET
 MOULDING TO BE
 SUPPLIED &
 INSTALLED BY
 SHELVING SUPPLIER

4 DETAIL
 F271 6" = 1'-0"



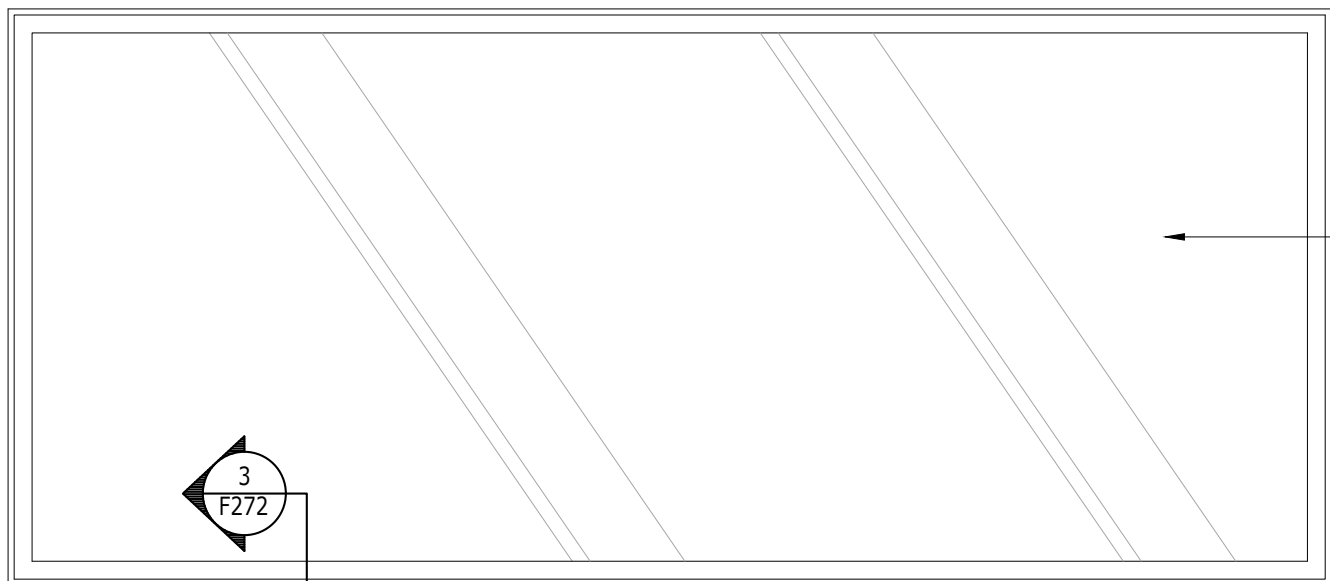
5 ISOMETRIC VIEWS - ANGLED WOOD BLOCK DETAIL
 F271 AT ANGLED TICKET MOULDING

LCBO	200 GENERAL LIST	REVISION DATE	REV.	2 of 2	ISSUE DATE	STORE TYPE	STORE #
	3-HIGH 48" PERIM. MET. SHELVING UNIT w/ WOOD TICKET MOULDING	2021 MAR.	17	F271	2021 APR		



1
F272 PLAN
3/4" = 1'-0"

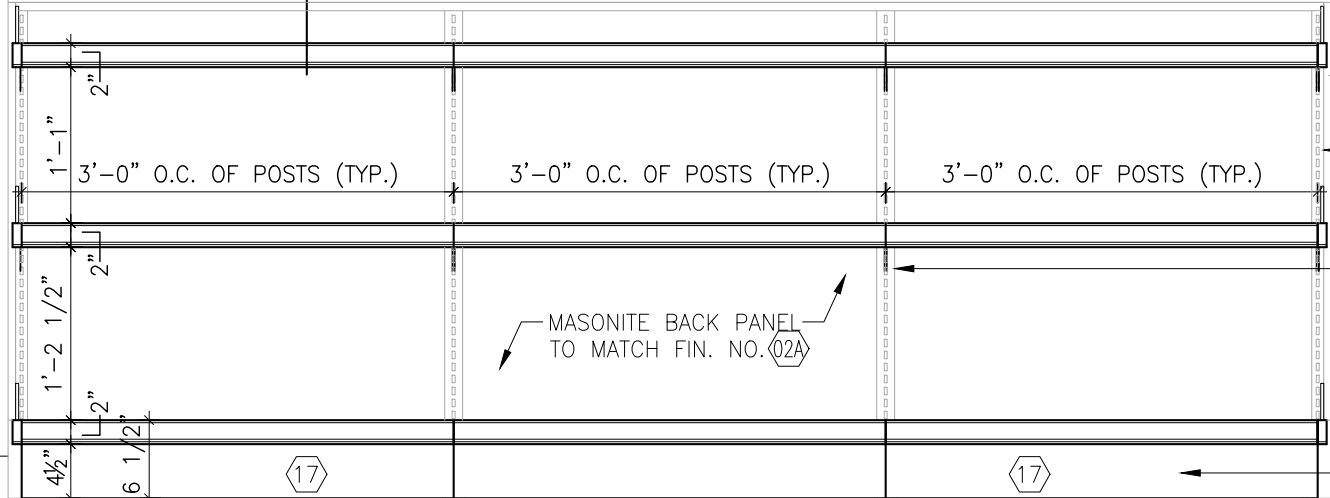
2
F272



3
F272

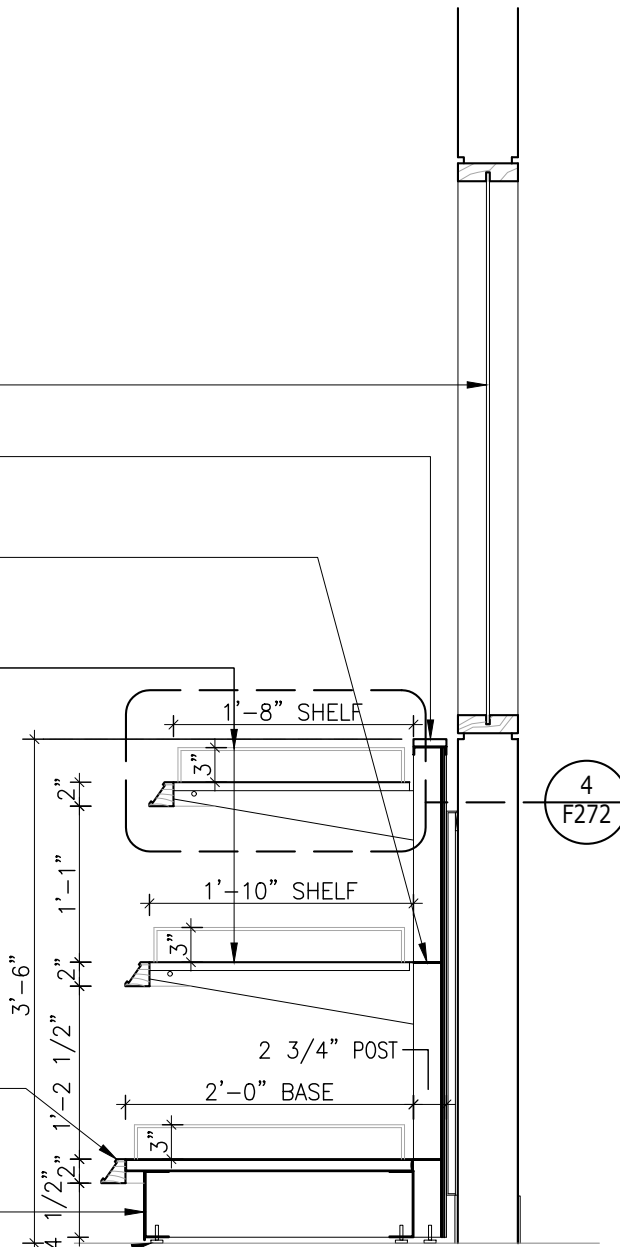
NOTE:
SOLID WOOD GRADE TO BE FAS

NOTE:
ALL WOOD TICKET MOULDINGS TO ACCOMMODATE 1 3/4" PAPER TICKET. WOOD TICKET MOULDING TO BE SUPPLIED & INSTALLED BY SHELVING SUPPLIER



2
F272 ELEVATION
3/4" = 1'-0"

- MANAGER'S OFFICE GLAZING F801
- 2" x 5/8" SOLID WD. TRIM FIN. (28) SUPPLIED & INSTALLED BY SHELVING SUPPLIER (NO VISIBLE FASTENERS)
- FRICTION-FIT METAL FILLER STRIP FIN. NO. (16A) BETWEEN POSTS (APPROXIMATELY 2 1/4" DP.) AT ALL SHELVES AND BASE
- HEAVY DUTY METAL SHELVING C/W ANGLED HARDWOOD TICKET HOLDERS FIN. NO. (28) TO ACCOMMODATE STANDARD LCBO 1 3/4" HIGH PAPER TICKETS AT ALL SHELVES (SEE DETAIL 4/F272) ON H.D. METAL BRACKETS ALL IN FIN. NO. (16A)
- 2 3/4" x 5/8" SOLID WD. TRIM FIN. (28) SUPPLIED & INSTALLED BY SHELVING SUPPLIER (NO VISIBLE FASTENERS)
- 2 3/4" x 1" x 3'-5" HIGH HEAVY DUTY SLOTTED METAL END POST (SLOTS AT 1" O.C. TYP.) FIN. (16A)
- 2 3/4" x 1 1/2" x 3'-5" HIGH HEAVY DUTY SLOTTED METAL POST (SLOTS AT 1" O.C. TYP.) FIN. (16A)
- ANGLED HARDWOOD TICKET HOLDER FIN. NO. (28) BY METAL SHELVING SUPPLIER TO ACCOMMODATE STANDARD LCBO 1 3/4" PAPER TICKETS AT BASE (SEE DETAIL 4/F272 - SIMILAR)
- RECESSED METAL BASE FIN. (17)
- HEAVY DUTY LEVELLERS



4
F272

3
F272 SECTION
3/4" = 1'-0"

LCBO	200 GENERAL LIST	REVISION DATE	REV.	1 of 2	ISSUE DATE	STORE TYPE	STORE #
	3-HIGH 36" PERIM. MET. SHELVING UNIT w/ WOOD TICKET MOULDING	2021 MAR.	17	F272	2021 APR		

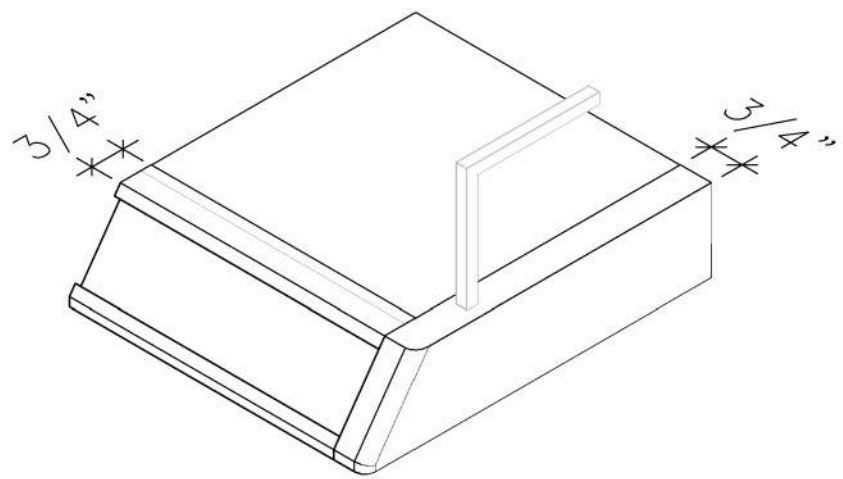
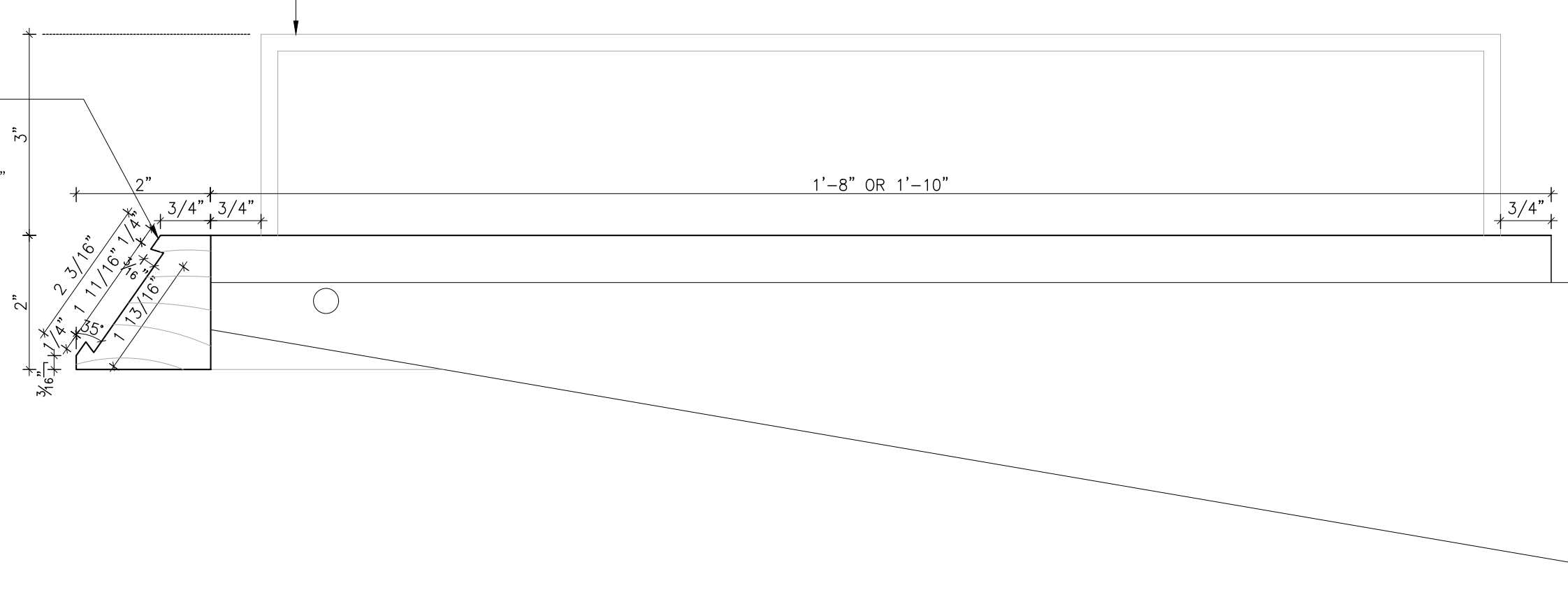
1/4" SQ. METAL RAIL
 FIN. NO. (55) TO BE SUPPLIED +
 INSTALLED BY METAL SHELVING
 SUPPLIER. METAL SHELVING SUPPLIER
 TO PRE-DRILL HOLES FOR METAL
 RAILS LOCATED AT 2 OUTER ENDS
 OF END SHELVES AS SHOWN.
 ENSURE NO SHARP EDGES.

HEAVY DUTY METAL SHELVING ON
 H.D. METAL BRACKETS ALL IN FIN.
 NO. (16A) C/W HARDWOOD TICKET
 MOULDING FIN. NO. (28) TO
 ACCOMODATE STANDARD LCBO 1 3/4"
 HIGH PAPER TICKETS

NOTE:
 SOLID WOOD GRADE
 TO BE FAS

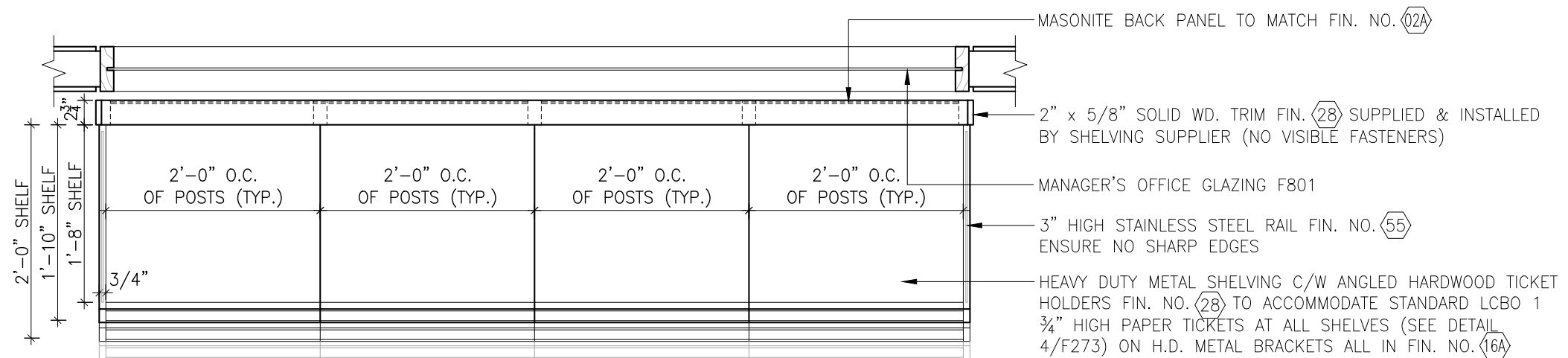
NOTE: ALL WOOD TICKET
 MOULDING TO BE SUPPLIED
 INSTALLED BY SHELVING
 SUPPLIER

4 DETAIL
 F272 6" = 1'-0"



5 ISOMETRIC VIEWS - ANGLED WOOD BLOCK DETAIL
 F272 AT ANGLED TICKET MOULDING

LCBO	200 GENERAL LIST	REVISION DATE	REV.	2 of 2	ISSUE DATE	STORE TYPE	STORE #
	3-HIGH 36" PERIM. MET. SHELVING UNIT w/ WOOD TICKET MOULDING	2021 MAR.	17	F272	2021 APR		

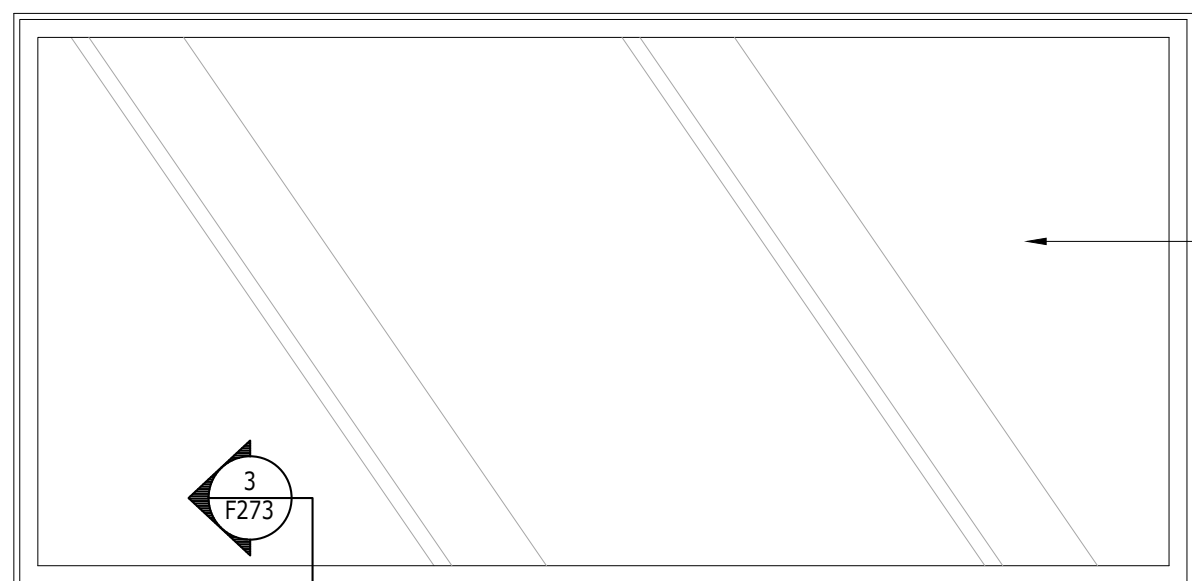


1
F273 PLAN
3/4" = 1'-0"

2
F273

NOTE:
SOLID WOOD GRADE TO BE FAS

NOTE:
ALL WOOD TICKET MOULDINGS TO ACCOMMODATE 1 3/4" PAPER TICKET. WOOD TICKET MOULDING TO BE SUPPLIED & INSTALLED BY SHELVING SUPPLIER



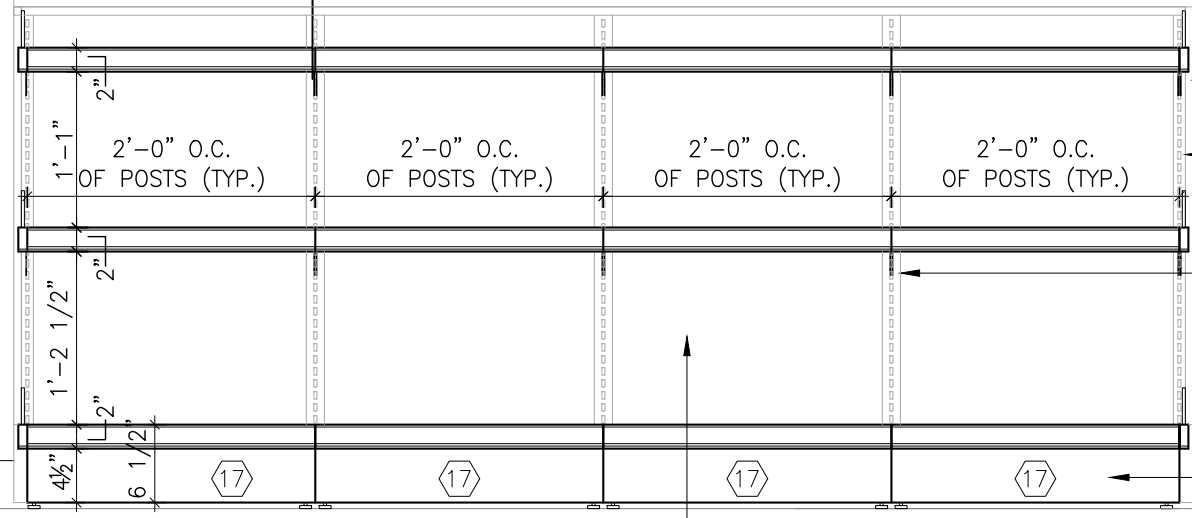
3
F273

MANAGER'S OFFICE GLAZING F801

2" x 5/8" SOLID WD. TRIM FIN. (28) SUPPLIED & INSTALLED BY SHELVING SUPPLIER (NO VISIBLE FASTENERS)

FRICTION-FIT METAL FILLER STRIP FIN. NO. (16A) BETWEEN POSTS (APPROXIMATELY 2 1/4" DP.) AT ALL SHELVES AND BASE

HEAVY DUTY METAL SHELVING C/W ANGLED HARDWOOD TICKET HOLDERS FIN. NO. (28) TO ACCOMMODATE STANDARD LCBO 1 3/4" HIGH PAPER TICKETS AT ALL SHELVES (SEE DETAIL 4/F273) ON H.D. METAL BRACKETS ALL IN FIN. NO. (16A)



2
F273 ELEVATION
3/4" = 1'-0"

MASONITE BACK PANEL TO MATCH FIN. NO. (02A)

2" x 5/8" SOLID WD. TRIM FIN. (28) SUPPLIED & INSTALLED BY SHELVING SUPPLIER (NO VISIBLE FASTENERS)

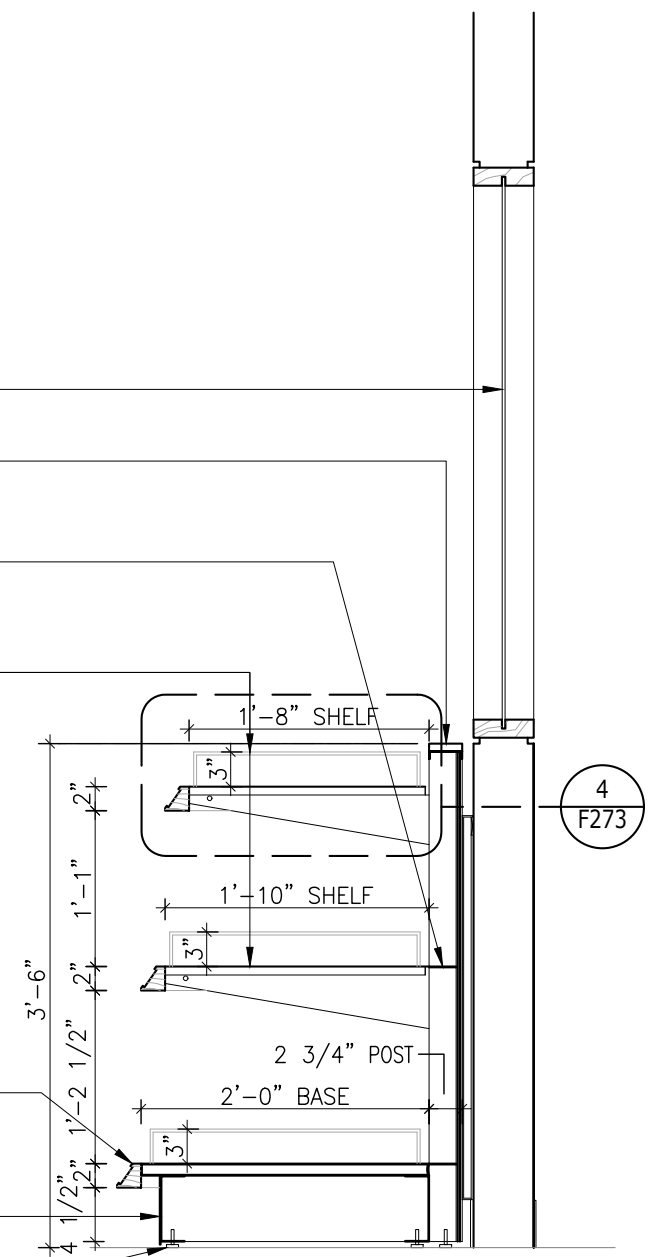
2 3/4" x 1" x 3'-5" HIGH HEAVY DUTY SLOTTED METAL END POST (SLOTS AT 1" O.C. TYP.) FIN. (16A)

2 3/4" x 1 1/2" x 3'-5" HIGH HEAVY DUTY SLOTTED METAL POST (SLOTS AT 1" O.C. TYP.) FIN. (16A)

ANGLED HARDWOOD TICKET HOLDER FIN. NO. (28) BY METAL SHELVING SUPPLIER TO ACCOMMODATE STANDARD LCBO 1 3/4" PAPER TICKETS AT BASE (SEE DETAIL 4/F273 - SIMILAR)

RECESSED METAL BASE FIN. (17)

HEAVY DUTY LEVELLERS



4
F273

3
F273 SECTION
3/4" = 1'-0"

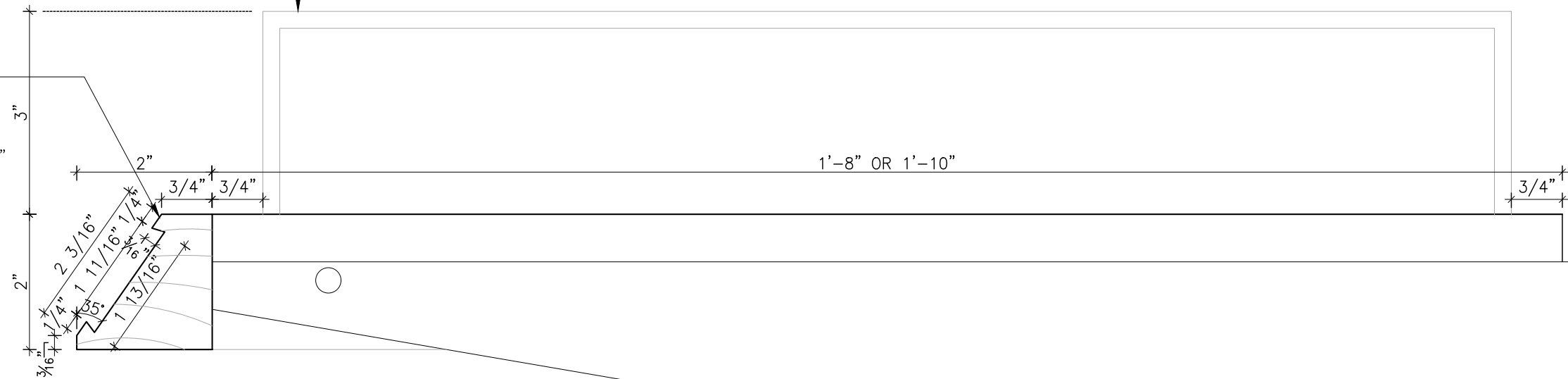
LCBO	200 GENERAL LIST	REVISION DATE	REV.	1 of 2	ISSUE DATE	STORE TYPE	STORE #
	3-HIGH 24" PERIM. MET. SHELVING UNIT w/ FASCIA & MET. TICKET MOULD.	2021 MAR.	17	F273	2021 APR		

1/4" SQ. METAL RAIL
 FIN. NO. (55) TO BE SUPPLIED +
 INSTALLED BY METAL SHELVING
 SUPPLIER. METAL SHELVING SUPPLIER
 TO PRE-DRILL HOLES FOR METAL
 RAILS LOCATED AT 2 OUTER ENDS
 OF END SHELVES AS SHOWN.
 ENSURE NO SHARP EDGES.

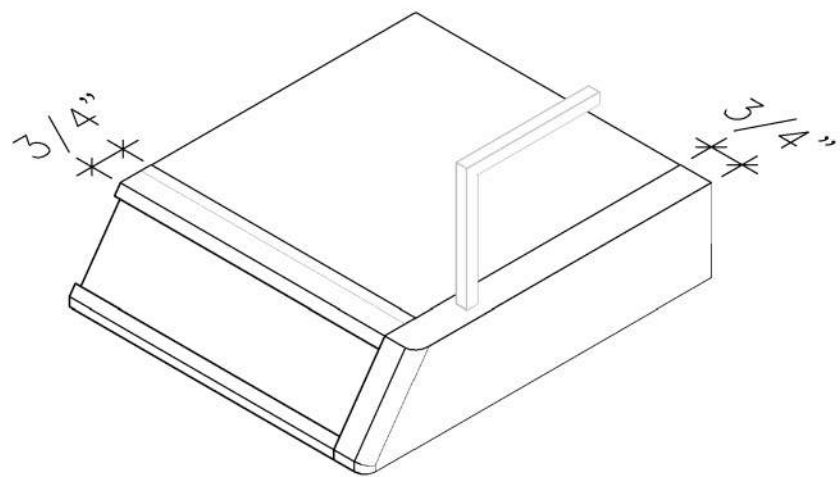
HEAVY DUTY METAL SHELVING ON
 H.D. METAL BRACKETS ALL IN FIN.
 NO. (16A) C/W HARDWOOD TICKET
 MOULDING FIN. NO. (28) TO
 ACCOMODATE STANDARD LCBO 1 3/4"
 HIGH PAPER TICKETS

NOTE:
 SOLID WOOD GRADE
 TO BE FAS

NOTE: ALL WOOD TICKET
 MOULDING TO BE SUPPLIED
 INSTALLED BY SHELVING
 SUPPLIER

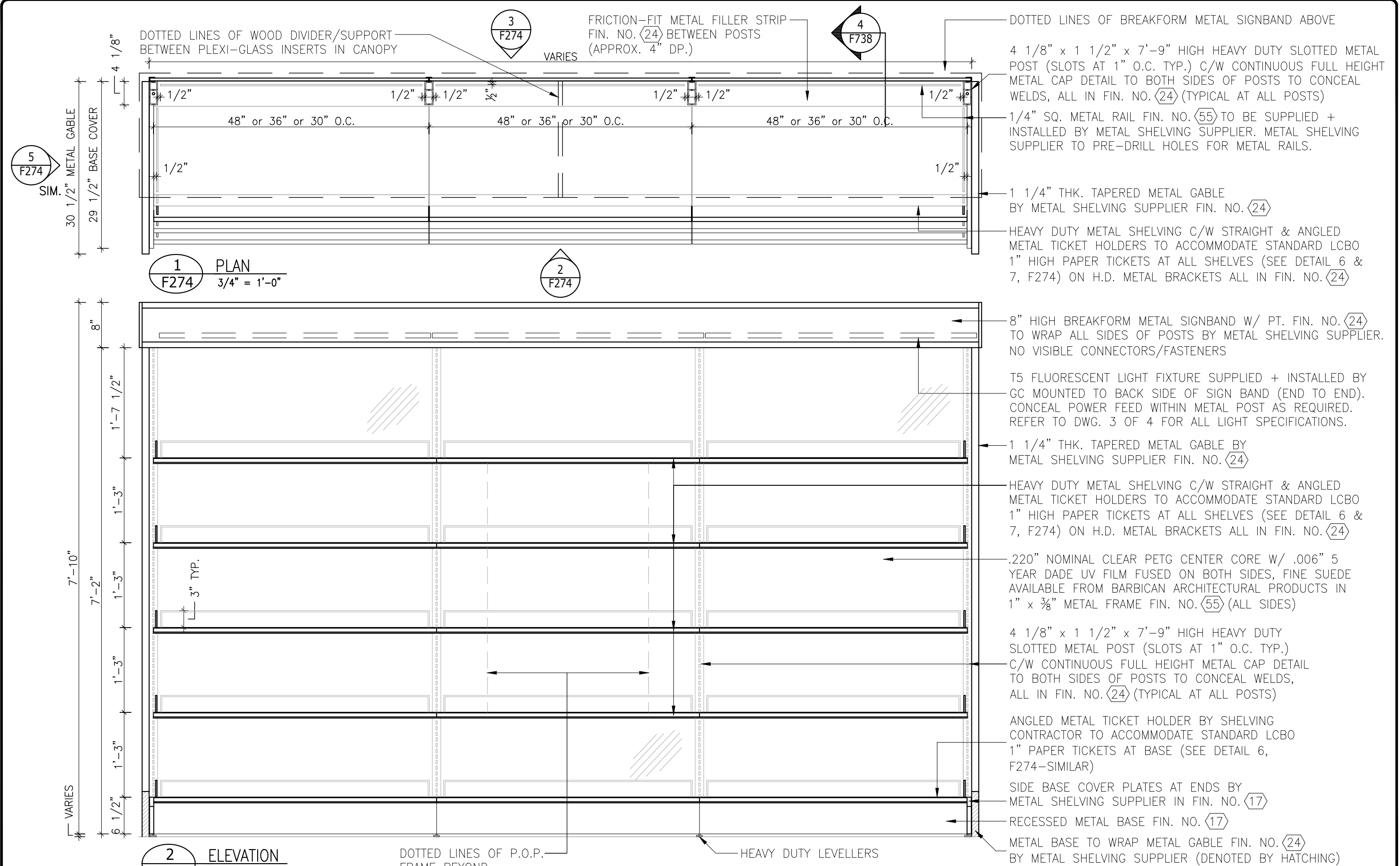


4 DETAIL
 F273 6" = 1'-0"



5 ISOMETRIC VIEWS - ANGLED WOOD BLOCK DETAIL
 F273 AT ANGLED TICKET MOULDING

LCBO	200 GENERAL LIST	REVISION DATE	REV.	2 of 2	ISSUE DATE	STORE TYPE	STORE #
	3-HIGH 24" PERIM. MET. SHELVING UNIT w/ FASCIA & MET. TICKET MOULD.	2021 MAR.	17	F273	2021 APR		

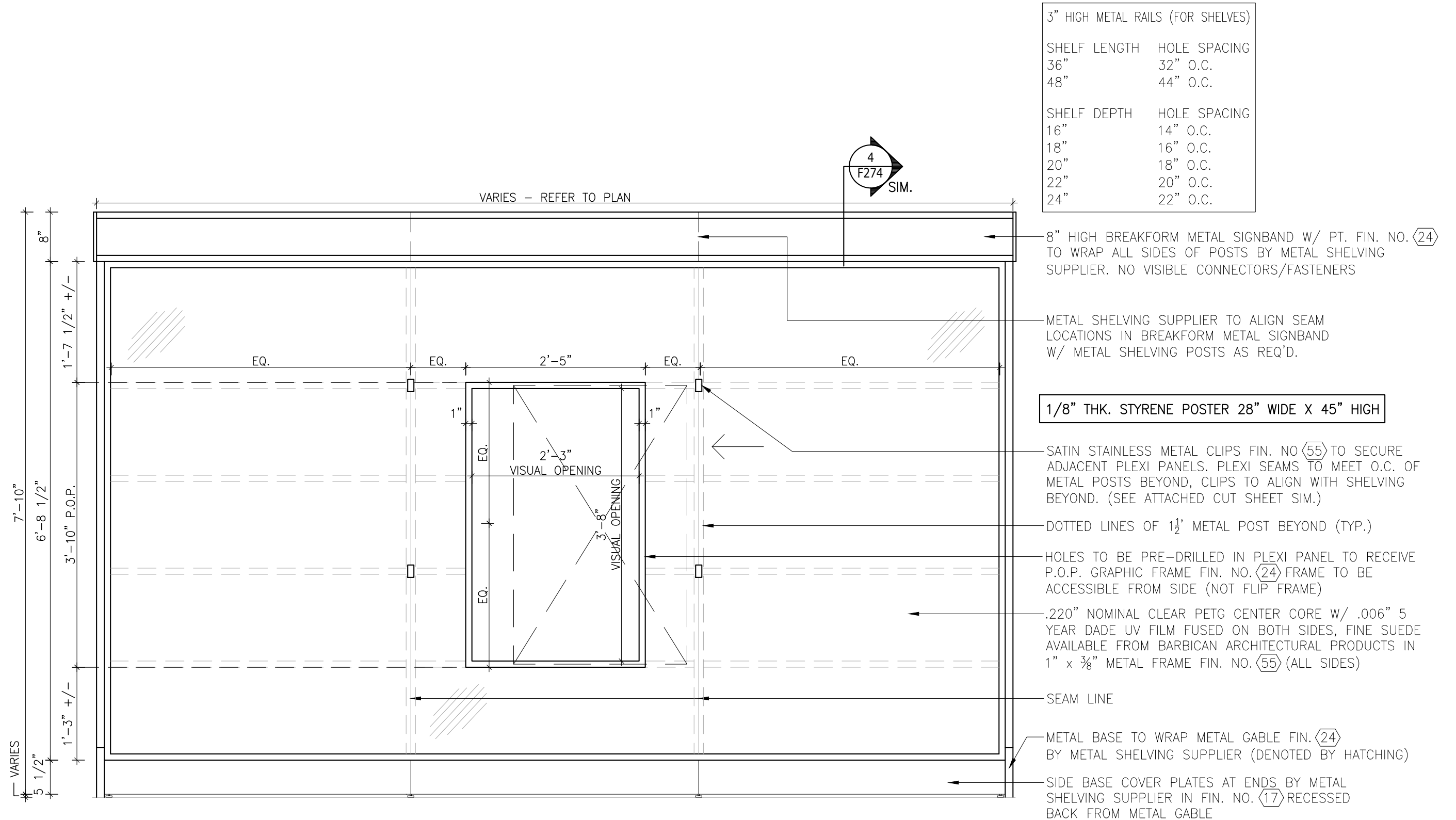


1
F274 PLAN
3/4" = 1'-0"

2
F274 ELEVATION
3/4" = 1'-0"

- DOTTED LINES OF WOOD DIVIDER/SUPPORT BETWEEN PLEXI-GLASS INSERTS IN CANOPY
- FRICITION-FIT METAL FILLER STRIP FIN. NO. (24) BETWEEN POSTS (APPROX. 4" DP.)
- DOTTED LINES OF BREAKFORM METAL SIGNBAND ABOVE
- 4 1/8" x 1 1/2" x 7'-9" HIGH HEAVY DUTY SLOTTED METAL POST (SLOTS AT 1" O.C. TYP.) C/W CONTINUOUS FULL HEIGHT METAL CAP DETAIL TO BOTH SIDES OF POSTS TO CONCEAL WELDS, ALL IN FIN. NO. (24) (TYPICAL AT ALL POSTS)
- 1/4" SQ. METAL RAIL FIN. NO. (55) TO BE SUPPLIED + INSTALLED BY METAL SHELVING SUPPLIER. METAL SHELVING SUPPLIER TO PRE-DRILL HOLES FOR METAL RAILS.
- 1 1/4" THK. TAPERED METAL GABLE BY METAL SHELVING SUPPLIER FIN. NO. (24)
- HEAVY DUTY METAL SHELVING C/W STRAIGHT & ANGLED METAL TICKET HOLDERS TO ACCOMMODATE STANDARD LCBO 1" HIGH PAPER TICKETS AT ALL SHELVES (SEE DETAIL 6 & 7, F274) ON H.D. METAL BRACKETS ALL IN FIN. NO. (24)
- 8" HIGH BREAKFORM METAL SIGNBAND W/ PT. FIN. NO. (24) TO WRAP ALL SIDES OF POSTS BY METAL SHELVING SUPPLIER. NO VISIBLE CONNECTORS/FASTENERS
- T5 FLUORESCENT LIGHT FIXTURE SUPPLIED + INSTALLED BY GC MOUNTED TO BACK SIDE OF SIGN BAND (END TO END). CONCEAL POWER FEED WITHIN METAL POST AS REQUIRED. REFER TO DWG. 3 OF 4 FOR ALL LIGHT SPECIFICATIONS.
- 1 1/4" THK. TAPERED METAL GABLE BY METAL SHELVING SUPPLIER FIN. NO. (24)
- HEAVY DUTY METAL SHELVING C/W STRAIGHT & ANGLED METAL TICKET HOLDERS TO ACCOMMODATE STANDARD LCBO 1" HIGH PAPER TICKETS AT ALL SHELVES (SEE DETAIL 6 & 7, F274) ON H.D. METAL BRACKETS ALL IN FIN. NO. (24)
- .220" NOMINAL CLEAR PETG CENTER CORE W/ .006" 5 YEAR DADE UV FILM FUSED ON BOTH SIDES, FINE SUEDE AVAILABLE FROM BARBICAN ARCHITECTURAL PRODUCTS IN 1" x 3/8" METAL FRAME FIN. NO. (55) (ALL SIDES)
- 4 1/8" x 1 1/2" x 7'-9" HIGH HEAVY DUTY SLOTTED METAL POST (SLOTS AT 1" O.C. TYP.) C/W CONTINUOUS FULL HEIGHT METAL CAP DETAIL TO BOTH SIDES OF POSTS TO CONCEAL WELDS, ALL IN FIN. NO. (24) (TYPICAL AT ALL POSTS)
- ANGLED METAL TICKET HOLDER BY SHELVING CONTRACTOR TO ACCOMMODATE STANDARD LCBO 1" PAPER TICKETS AT BASE (SEE DETAIL 6, F274-SIMILAR)
- SIDE BASE COVER PLATES AT ENDS BY METAL SHELVING SUPPLIER IN FIN. NO. (17)
- RECESSED METAL BASE FIN. NO. (17)
- METAL BASE TO WRAP METAL GABLE FIN. NO. (24) BY METAL SHELVING SUPPLIER (DENOTED BY HATCHING)

LCBO	200 GENERAL LIST	REVISION DATE	REV.	1 of 4	ISSUE DATE	STORE TYPE	STORE #
	DOUBLE-SIDED GIFT/SPIRITS FIXTURE WITH U.V. PETG PANEL & GRAPHIC (7'-10" H.)	2021 MAR	17	F274	2021 APR		



3" HIGH METAL RAILS (FOR SHELVES)	
SHELF LENGTH	HOLE SPACING
36"	32" O.C.
48"	44" O.C.
SHELF DEPTH	HOLE SPACING
16"	14" O.C.
18"	16" O.C.
20"	18" O.C.
22"	20" O.C.
24"	22" O.C.

3 ELEVATION
F274 3/4" = 1'-0"

8" HIGH BREAKFORM METAL SIGNBAND W/ PT. FIN. NO. (24) TO WRAP ALL SIDES OF POSTS BY METAL SHELVING SUPPLIER. NO VISIBLE CONNECTORS/FASTENERS

METAL SHELVING SUPPLIER TO ALIGN SEAM LOCATIONS IN BREAKFORM METAL SIGNBAND W/ METAL SHELVING POSTS AS REQ'D.

1/8" THK. STYRENE POSTER 28" WIDE X 45" HIGH

SATIN STAINLESS METAL CLIPS FIN. NO. (55) TO SECURE ADJACENT PLEXI PANELS. PLEXI SEAMS TO MEET O.C. OF METAL POSTS BEYOND, CLIPS TO ALIGN WITH SHELVING BEYOND. (SEE ATTACHED CUT SHEET SIM.)

DOTTED LINES OF 1 1/2' METAL POST BEYOND (TYP.)

HOLES TO BE PRE-DRILLED IN PLEXI PANEL TO RECEIVE P.O.P. GRAPHIC FRAME FIN. NO. (24) FRAME TO BE ACCESSIBLE FROM SIDE (NOT FLIP FRAME)

.220" NOMINAL CLEAR PETG CENTER CORE W/ .006" 5 YEAR DADE UV FILM FUSED ON BOTH SIDES, FINE SUEDE AVAILABLE FROM BARBICAN ARCHITECTURAL PRODUCTS IN 1" x 3/8" METAL FRAME FIN. NO. (55) (ALL SIDES)

SEAM LINE

METAL BASE TO WRAP METAL GABLE FIN. (24) BY METAL SHELVING SUPPLIER (DENOTED BY HATCHING)

SIDE BASE COVER PLATES AT ENDS BY METAL SHELVING SUPPLIER IN FIN. NO. (17) RECESSED BACK FROM METAL GABLE

NOTE:
METAL SHELVING SUPPLIER TO SUGGEST BEST METHOD OF FASTENING OF P.O.P FRAME TO ACRYLIC

LCBO

200 GENERAL LIST

DOUBLE-SIDED GIFT/SPIRITS FIXTURE WITH U.V. PETG PANEL & GRAPHIC (7'-10" H.)

REVISION DATE	REV.	2 of 4	ISSUE DATE	STORE TYPE	STORE #
2021 MAR	17	F274	2021 APR		

CUT-OUT IN METAL POST FOR CONCEALED POWER FEED

8" HIGH BREAKFORM METAL SIGNBAND W/ PT. FIN. NO. (24) TO WRAP ALL SIDES OF POSTS BY METAL SHELVING SUPPLIER. NO VISIBLE CONNECTORS/FASTENERS

T5 FLUORESCENT LIGHT FIXTURE SUPPLIED + INSTALLED BY GC MOUNTED TO BACK SIDE OF SIGN BAND (END TO END). CONCEAL POWER FEED WITHIN METAL POST AS REQUIRED. REFER TO DWG. 3 OF 4 FOR ALL LIGHT SPECIFICATIONS.

1 1/4" THK. TAPERED METAL GABLE BY METAL SHELVING SUPPLIER FIN. NO. (24)

FRICITION-FIT METAL FILLER STRIP FIN. NO. (24) BETWEEN POSTS (APPROXIMATELY 4" DP.) AT ALL SHELVES AND BASE

HEAVY DUTY METAL SHELVING C/W STRAIGHT METAL TICKET HOLDERS TO ACCOMMODATE STANDARD LCBO 1" HIGH STRAIGHT PAPER TICKETS AT ALL SHELVES (SEE DETAIL 7, F274) ON H.D. METAL BRACKETS ALL IN FIN. NO. (24)

4 1/8" x 1 1/2" x 7'-9" HIGH HEAVY DUTY SLOTTED METAL POST (SLOTS AT 1" O.C. TYP.) C/W CONTINUOUS FULL HEIGHT METAL CAP DETAIL TO BOTH SIDES OF POSTS TO CONCEAL WELDS. ALL IN FIN. NO. (24) (TYPICAL AT ALL POSTS)

HEAVY DUTY METAL SHELVING C/W ANGLED METAL TICKET HOLDERS TO ACCOMMODATE STANDARD LCBO 1" HIGH STRAIGHT PAPER TICKETS (SEE DETAIL 6, F274) ON H.D. METAL BRACKETS ALL IN FIN. NO. (24)

SIDE BASE COVER PLATES AT ENDS BY METAL SHELVING SUPPLIER IN FIN. NO. (17)

RECESSED METAL BASE FIN. NO. (17)

METAL BASE TO WRAP METAL GABLE FIN. (24) BY METAL SHELVING SUPPLIER (DENOTED BY HATCHING)

SHELVING SUPPLIER TO INSTALL METAL TOP CAP TO POSTS FOR ANCHORING OF BREAKFORM METAL CANOPY

8" H. BREAKFORM METAL SIGNBAND WITH PT. FIN. NO. (24) TO WRAP ALL SIDES OF POSTS BY METAL SHELVING SUPPLIER. NO VISIBLE CONNECTORS/FASTENERS

HOLES TO BE PRE-DRILLED IN PLEXI PANEL TO RECEIVE P.O.P. GRAPHIC FRAME FIN. NO. (24) FRAME TO BE ACCESSIBLE FROM SIDE (NOT FLIP FRAME)

HEAVY DUTY METAL SHELVING C/W STRAIGHT & ANGLED METAL TICKET HOLDERS TO ACCOMMODATE STANDARD LCBO 1" HIGH PAPER TICKETS (SEE DETAIL 6 & 7, F274) ON H.D. METAL BRACKETS ALL IN FIN. NO. (24)

1/4" SQ. METAL RAIL FIN. NO. (55) TO BE SUPPLIED + INSTALLED BY METAL SHELVING SUPPLIER. METAL SHELVING SUPPLIER TO PRE-DRILL HOLES FOR METAL RAILS LOCATED AT 2 OUTER ENDS AND ACROSS REAR EDGE OF ALL SHELVES AS SHOWN.

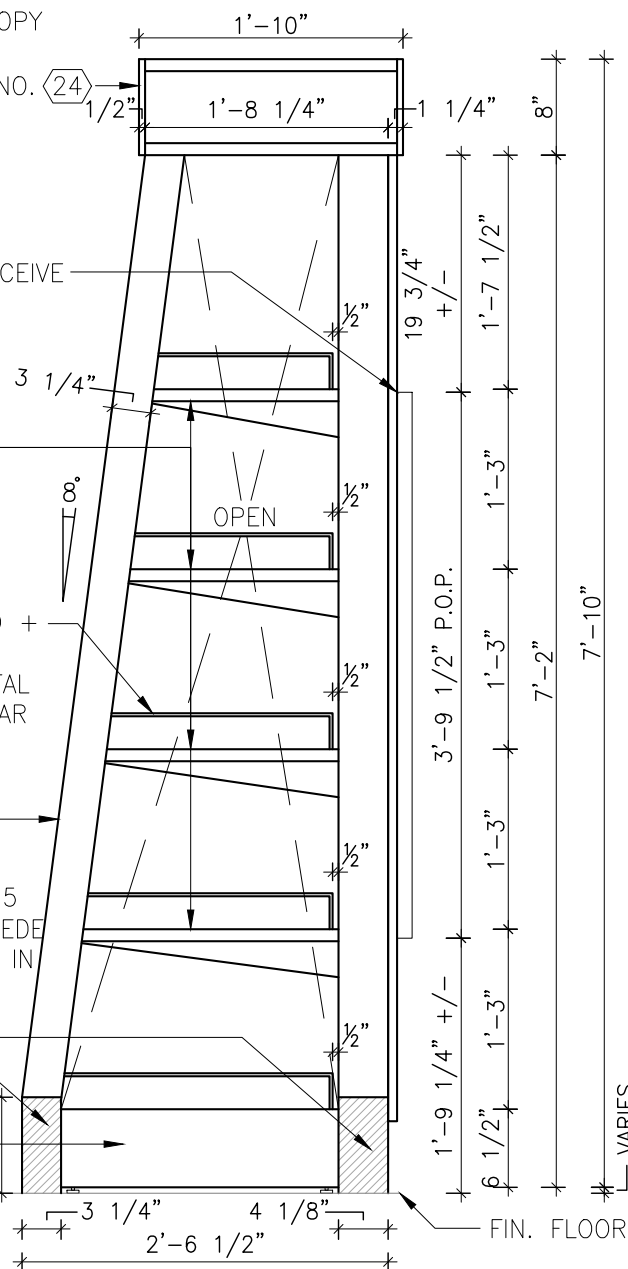
1 1/4" THK. TAPERED METAL GABLE BY METAL SHELVING SUPPLIER FIN. NO. (24)

.220" NOMINAL CLEAR PETG CENTER CORE W/ .006" 5 YEAR DADE UV FILM FUSED ON BOTH SIDES, FINE SUEDE AVAILABLE FROM BARBICAN ARCHITECTURAL PRODUCTS IN 1" x 3/8" METAL FRAME FIN. NO. (55) (ALL SIDES)

METAL BASE TO WRAP METAL GABLE FIN. (24) BY METAL SHELVING SUPPLIER (DENOTED BY HATCHING)

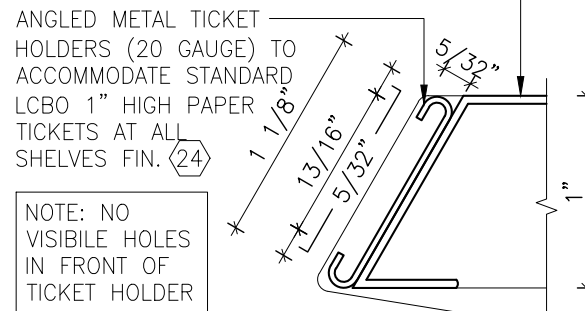
SIDE BASE COVER PLATES AT ENDS BY METAL SHELVING SUPPLIER IN FIN. NO. (17) RECESSED BACK FROM METAL GABLE

CUT-OUT IN METAL POST FOR CONCEALED POWER FEED



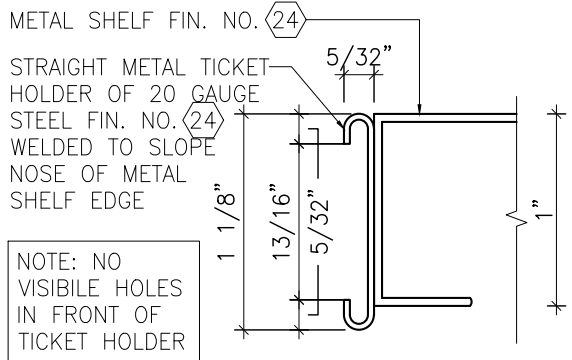
4 SECTION
F274 3/4" = 1'-0"

HEAVY DUTY METAL SHELVING C/W ANGLED METAL TICKET HOLDERS ON H.D. METAL BRACKETS ALL IN FIN. NO. (24)



6 ANGLED METAL TICKET HOLDER DETAIL
F274 FULL SCALE

NOTE:
ALL 1" METAL TICKET HOLDERS TO RECEIVE 1 3/4" PLASTIC TICKET HOLDER INSERT TO SPAN LENGTH OF SHELF SECTION



7 STRAIGHT METAL TICKET HOLDER DETAIL
F274 FULL SCALE

5 ELEVATION
F274 3/4" = 1'-0"

NOTE:

ALL LIGHTING TO BE SUPPLIED + INSTALLED BY GC. COORDINATE CUT-OUT OPENING WITH METAL SHELVING SUPPLIER AS REQUIRED. ENSURE ALL WIRING IS CONCEALED FROM CUSTOMERS VIEW. GC TO COORDINATE WITH SUPPLIER TO ENSURE TIMELY DELIVERY OF LIGHTS TO SUIT THE CONSTRUCTION SCHEDULE.

LCBO	200 GENERAL LIST	REVISION DATE	REV.	3 of 4	ISSUE DATE	STORE TYPE	STORE #
	DOUBLE-SIDED GIFT/SPIRITS FIXTURE WITH U.V. PETG PANEL & GRAPHIC (7'-10" H.)	2021 MAR	17	F274	2021 APR		

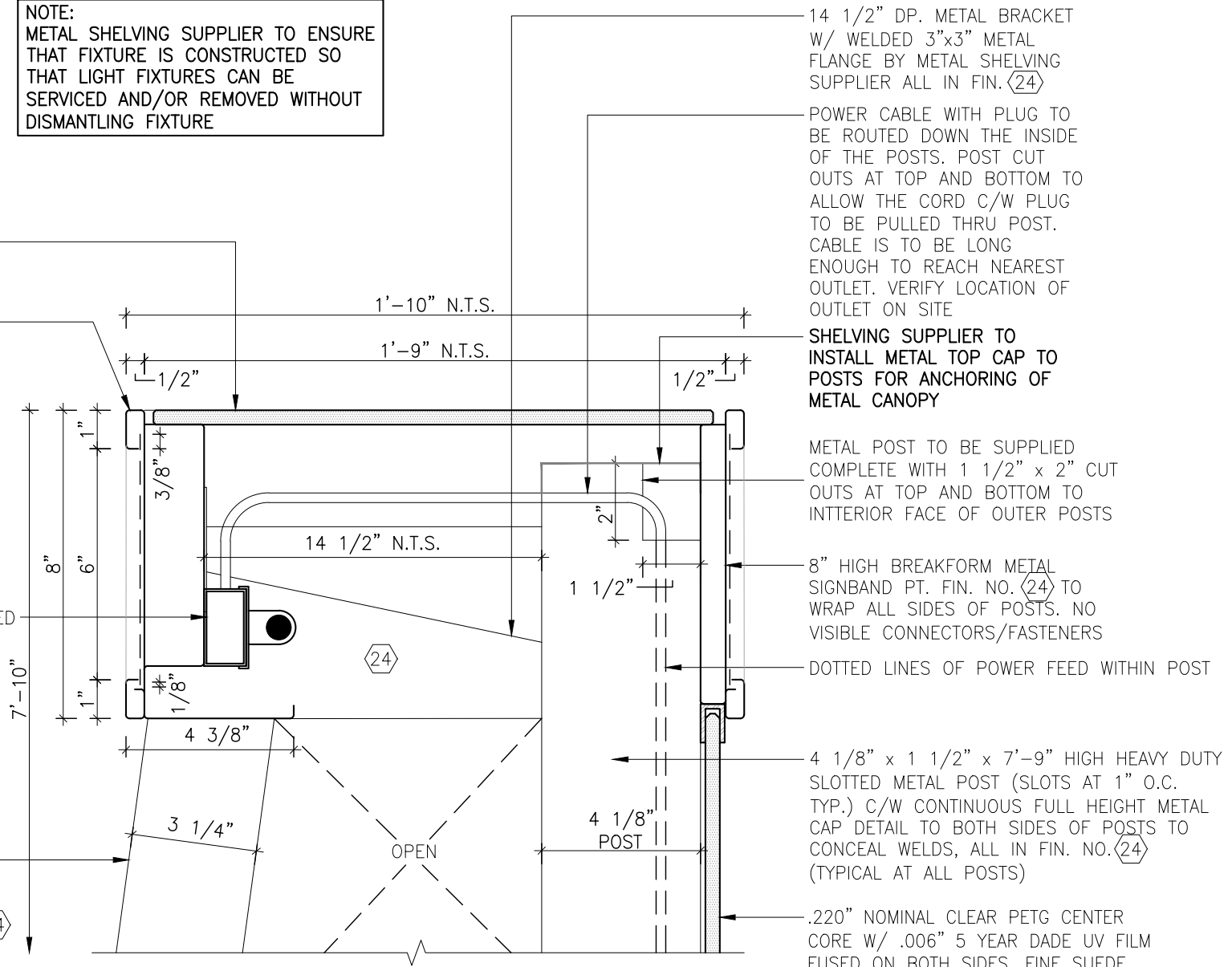
NOTE:
ALL COMPONENTS
SUPPLIED BY METAL
SHELVING SUPPLIER
INCLUDING TOP SIGNAGE
CANOPY.

NOTE:
METAL SHELVING SUPPLIER TO ENSURE
THAT FIXTURE IS CONSTRUCTED SO
THAT LIGHT FIXTURES CAN BE
SERVICED AND/OR REMOVED WITHOUT
DISMANTLING FIXTURE

3/8" THK. FROSTED
PLEXI-GLASS INSERT ON
RUBBER CUSHIONS
8" HIGH BREAKFORM
METAL SIGNBAND PT.
FIN. NO. (24) TO WRAP
ALL SIDES OF POSTS.
NO VISIBLE
CONNECTORS/FASTENERS

T5 FLUORESCENT LIGHT
FIXTURE SUPPLIED +
INSTALLED BY GC MOUNTED
TO BACK SIDE OF SIGN
BAND (END TO END).
CONCEAL POWER FEED
WITHIN METAL POST AS
REQUIRED

1 1/4" x 3 1/4"
TAPERED METAL POST
BY METAL SHELVING
SUPPLIER PT. FIN. NO. (24)



14 1/2" DP. METAL BRACKET
W/ WELDED 3"x3" METAL
FLANGE BY METAL SHELVING
SUPPLIER ALL IN FIN. (24)

POWER CABLE WITH PLUG TO
BE ROUTED DOWN THE INSIDE
OF THE POSTS. POST CUT
OUTS AT TOP AND BOTTOM TO
ALLOW THE CORD C/W PLUG
TO BE PULLED THRU POST.
CABLE IS TO BE LONG
ENOUGH TO REACH NEAREST
OUTLET. VERIFY LOCATION OF
OUTLET ON SITE

SHELVING SUPPLIER TO
INSTALL METAL TOP CAP TO
POSTS FOR ANCHORING OF
METAL CANOPY

METAL POST TO BE SUPPLIED
COMPLETE WITH 1 1/2" x 2" CUT
OUTS AT TOP AND BOTTOM TO
INTERIOR FACE OF OUTER POSTS

8" HIGH BREAKFORM METAL
SIGNBAND PT. FIN. NO. (24) TO
WRAP ALL SIDES OF POSTS. NO
VISIBLE CONNECTORS/FASTENERS

DOTTED LINES OF POWER FEED WITHIN POST

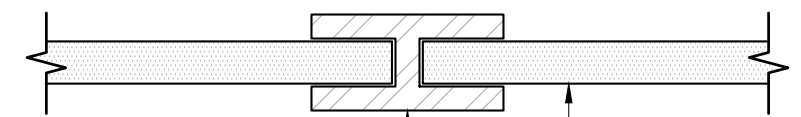
4 1/8" x 1 1/2" x 7'-9" HIGH HEAVY DUTY
SLOTTED METAL POST (SLOTS AT 1" O.C.
TYP.) C/W CONTINUOUS FULL HEIGHT METAL
CAP DETAIL TO BOTH SIDES OF POSTS TO
CONCEAL WELDS, ALL IN FIN. NO. (24)
(TYPICAL AT ALL POSTS)

.220" NOMINAL CLEAR PETG CENTER
CORE W/ .006" 5 YEAR DADE UV FILM
FUSED ON BOTH SIDES, FINE SUEDE
AVAILABLE FROM BARBICAN
ARCHITECTURAL PRODUCTS IN 1" x 3/8"
METAL FRAME FIN. NO. (55) (ALL SIDES)

8 DETAIL
F274 3" = 1'-0"

GENERAL NOTES

- DIMENSIONS SHOWN REFLECT SHELF & BASE DIMENSIONS ONLY & DO NOT TAKE METAL TICKET HOLDERS INTO ACCOUNT
- ALL ADJUSTMENTS TO COMPENSATE FOR NON-LEVEL FLOOR SURFACES TO BE MADE AT BOTTOM END OF POST
- METAL SHELVING SUPPLIER TO OBTAIN SIGNAGE SAMPLE FROM LCBO PRIOR TO FABRICATION TO ENSURE PROPER FIT OF SIGNAGE INSERT
- METAL SHELVING SUPPLIER TO OBTAIN 1" HIGH PAPER TICKET SAMPLE FROM LCBO PRIOR TO FABRICATION TO ENSURE PROPER FIT WITHIN TICKET MOULDING. SUBMIT SAMPLE FOR APPROVAL
- ENSURE ALL SHELVES ARE IN EXACT ALIGNMENT AND ARE TRUE & LEVEL. PERFORATED SHELVES ARE NOT ACCEPTABLE. SHELVES TO SUPPORT LOAD CAPACITY OF 500LBS
- ALL METAL SHELVING COMPONENTS TO BE SUPPLIED TO GC FOR FINAL ASSEMBLY ON-SITE (TO BE COORDINATED BY GC)

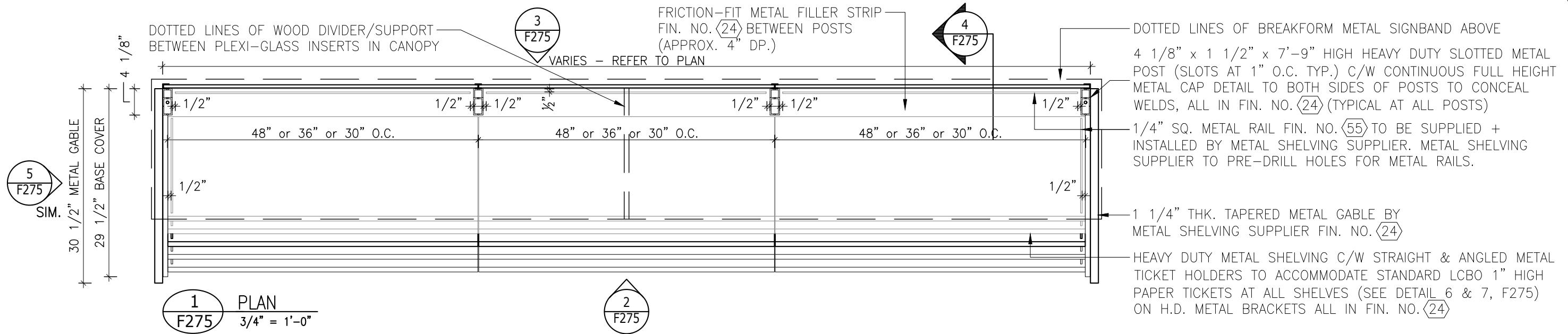


SATIN STAINLESS METAL CLIPS
FIN. NO. (55) TO SECURE
ADJACENT PLEXI PANELS. PLEXI
SEAMS TO MEET O.C. OF METAL
POSTS BEYOND, CLIPS TO ALIGN
WITH SHELVING BEYOND.

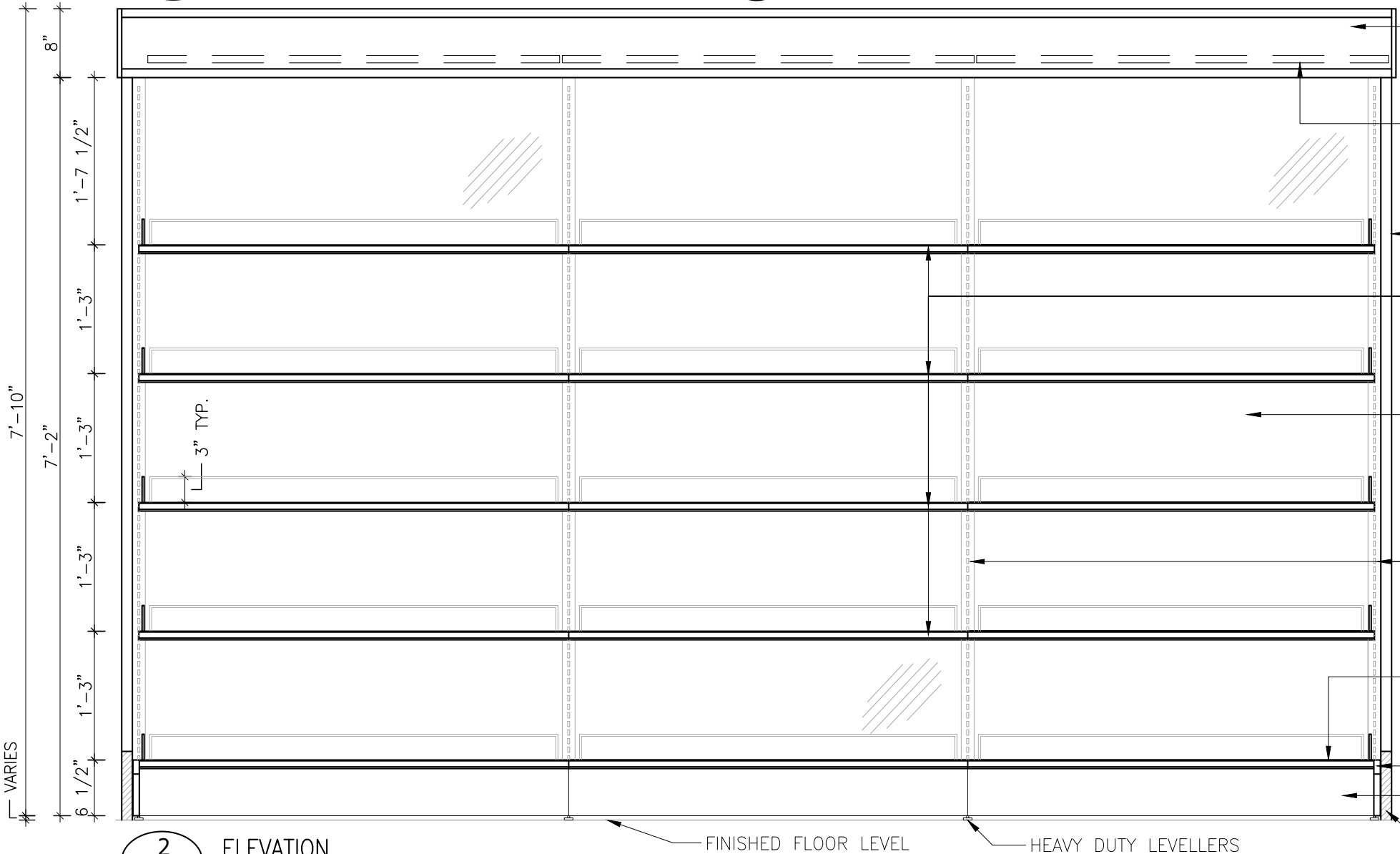
.220" NOMINAL CLEAR PETG CENTER
CORE W/ .006" 5 YEAR DADE UV FILM
FUSED ON BOTH SIDES, FINE SUEDE
AVAILABLE FROM BARBICAN
ARCHITECTURAL PRODUCTS IN 1" x 3/8"
METAL FRAME FIN. NO. (55) (ALL SIDES)

9 GLAZING CLIP DETAIL
F274 FULL SCALE

LCBO	200 GENERAL LIST	REVISION DATE	REV.	4 of 4	ISSUE DATE	STORE TYPE	STORE #
	DOUBLE-SIDED GIFT/SPIRITS FIXTURE WITH U.V. PETG PANEL & GRAPHIC (7'-10" H.)	2021 MAR	17	F274	2021 APR		



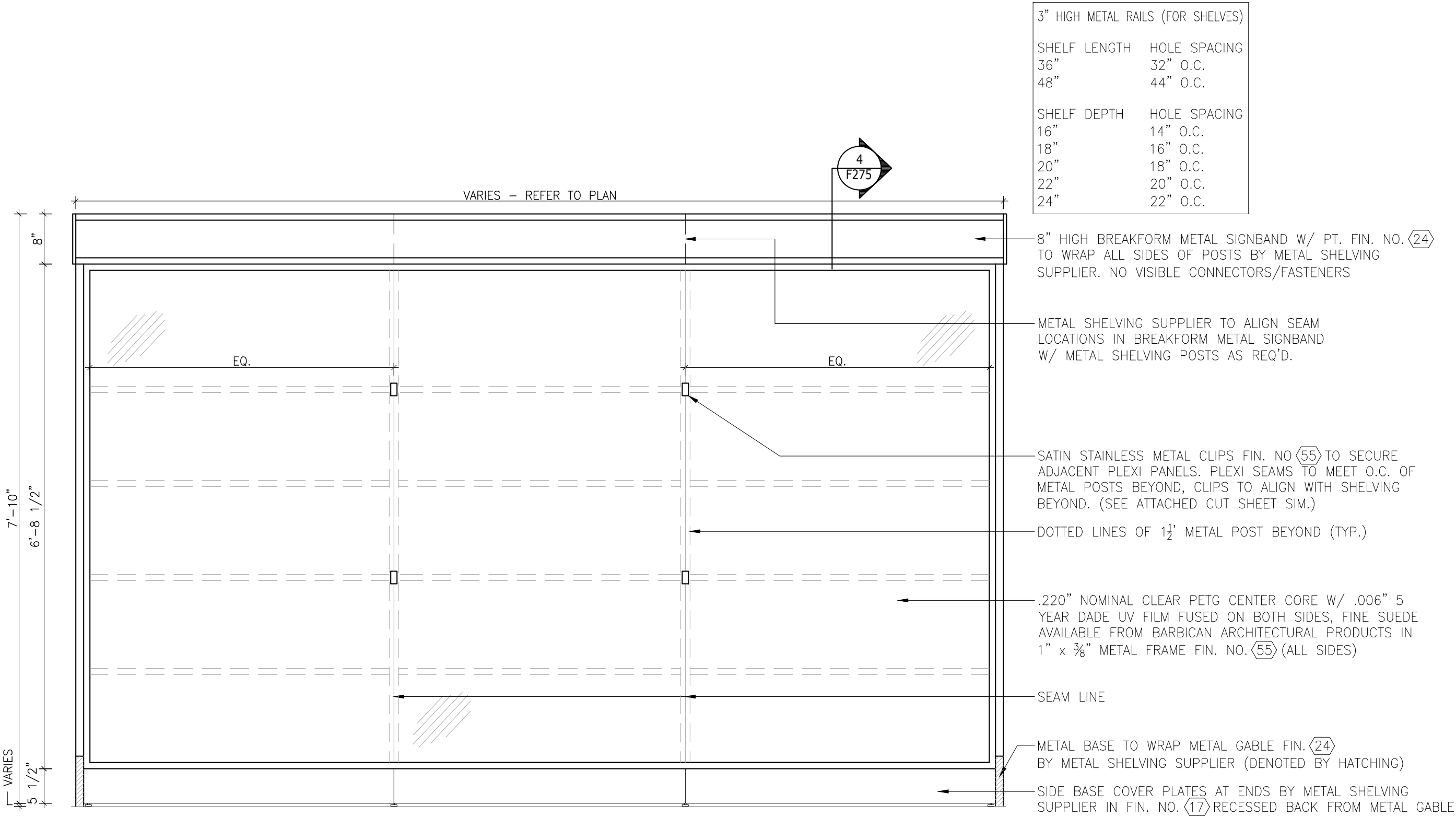
1 PLAN
F275 3/4" = 1'-0"



2 ELEVATION
F275 3/4" = 1'-0"

- DOTTED LINES OF WOOD DIVIDER/SUPPORT BETWEEN PLEXI-GLASS INSERTS IN CANOPY
- FRICITION-FIT METAL FILLER STRIP FIN. NO. 24 BETWEEN POSTS (APPROX. 4" DP.)
- DOTTED LINES OF BREAKFORM METAL SIGNBAND ABOVE
- 4 1/8" x 1 1/2" x 7'-9" HIGH HEAVY DUTY SLOTTED METAL POST (SLOTS AT 1" O.C. TYP.) C/W CONTINUOUS FULL HEIGHT METAL CAP DETAIL TO BOTH SIDES OF POSTS TO CONCEAL WELDS, ALL IN FIN. NO. 24 (TYPICAL AT ALL POSTS)
- 1/4" SQ. METAL RAIL FIN. NO. 55 TO BE SUPPLIED + INSTALLED BY METAL SHELVING SUPPLIER. METAL SHELVING SUPPLIER TO PRE-DRILL HOLES FOR METAL RAILS.
- 1 1/4" THK. TAPERED METAL GABLE BY METAL SHELVING SUPPLIER FIN. NO. 24
- HEAVY DUTY METAL SHELVING C/W STRAIGHT & ANGLED METAL TICKET HOLDERS TO ACCOMMODATE STANDARD LCBO 1" HIGH PAPER TICKETS AT ALL SHELVES (SEE DETAIL 6 & 7, F275) ON H.D. METAL BRACKETS ALL IN FIN. NO. 24
- 8" HIGH BREAKFORM METAL SIGNBAND W/ PT. FIN. NO. 24 TO WRAP ALL SIDES OF POSTS BY METAL SHELVING SUPPLIER. NO VISIBLE CONNECTORS/FASTENERS
- T5 FLUORESCENT LIGHT FIXTURE SUPPLIED + INSTALLED BY GC MOUNTED TO BACK SIDE OF SIGN BAND (END TO END). CONCEAL POWER FEED WITHIN METAL POST AS REQUIRED. REFER TO DWG. 3 OF 4 FOR ALL LIGHT SPECIFICATIONS.
- 1 1/4" THK. TAPERED METAL GABLE BY METAL SHELVING SUPPLIER FIN. NO. 24
- HEAVY DUTY METAL SHELVING C/W STRAIGHT & ANGLED METAL TICKET HOLDERS TO ACCOMMODATE STANDARD LCBO 1" HIGH PAPER TICKETS AT ALL SHELVES (SEE DETAIL 6 & 7, F275) ON H.D. METAL BRACKETS ALL IN FIN. NO. 24
- .220" NOMINAL CLEAR PETG CENTER CORE W/ .006" 5 YEAR DADE UV FILM FUSED ON BOTH SIDES, FINE SUEDE AVAILABLE FROM BARBICAN ARCHITECTURAL PRODUCTS IN 1" x 3/8" METAL FRAME FIN. NO. 55 (ALL SIDES)
- 4 1/8" x 1 1/2" x 7'-9" HIGH HEAVY DUTY SLOTTED METAL POST (SLOTS AT 1" O.C. TYP.) C/W CONTINUOUS FULL HEIGHT METAL CAP DETAIL TO BOTH SIDES OF POSTS TO CONCEAL WELDS, ALL IN FIN. NO. 24 (TYPICAL AT ALL POSTS)
- ANGLED METAL TICKET HOLDER BY SHELVING CONTRACTOR TO ACCOMMODATE STANDARD LCBO 1" PAPER TICKETS AT BASE (SEE DETAIL 6, F275-SIMILAR)
- SIDE BASE COVER PLATES AT ENDS BY METAL SHELVING SUPPLIER IN FIN. NO. 17
- RECESSED METAL BASE FIN. NO. 17
- METAL BASE TO WRAP METAL GABLE FIN. NO. 24 BY METAL SHELVING SUPPLIER (DENOTED BY HATCHING)

LCBO	200 GENERAL LIST	REVISION DATE	REV.	1 of 4	ISSUE DATE	STORE TYPE	STORE #
	DOUBLE-SIDED GIFT/SPIRITS FIXTURE WITH U.V. PETG PANEL (7'-10" H.)	2017 NOV	15	F275	2021 APR		



3 ELEVATION
F275 3/4" = 1'-0"

LCBO	200 GENERAL LIST	REVISION DATE	REV.	2 of 4	ISSUE DATE	STORE TYPE	STORE #
	DOUBLE-SIDED GIFT/SPIRITS FIXTURE WITH U.V. PETG PANEL (7'-10" H.)	2021 MAR	17	F275	2021 APR		

CUT-OUT IN METAL POST FOR CONCEALED POWER FEED

8" HIGH BREAKFORM METAL SIGNBAND W/ PT. FIN. NO. (24) TO WRAP ALL SIDES OF POSTS BY METAL SHELVING SUPPLIER. NO VISIBLE CONNECTORS/FASTENERS

T5 FLUORESCENT LIGHT FIXTURE SUPPLIED + INSTALLED BY GC MOUNTED TO BACK SIDE OF SIGN BAND (END TO END). CONCEAL POWER FEED WITHIN METAL POST AS REQUIRED. REFER TO DWG. 3 OF 4 FOR ALL LIGHT SPECIFICATIONS.

1 1/4" THK. TAPERED METAL GABLE BY METAL SHELVING SUPPLIER FIN. NO. (24)

FRICITION-FIT METAL FILLER STRIP FIN. NO. (24) BETWEEN POSTS (APPROXIMATELY 4" DP.) AT ALL SHELVES AND BASE

HEAVY DUTY METAL SHELVING C/W STRAIGHT METAL TICKET HOLDERS TO ACCOMMODATE STANDARD LCBO 1" HIGH STRAIGHT PAPER TICKETS AT TOP TWO SHELVES (SEE DETAIL 7, F275) ON H.D. METAL BRACKETS ALL IN FIN. NO. (24)

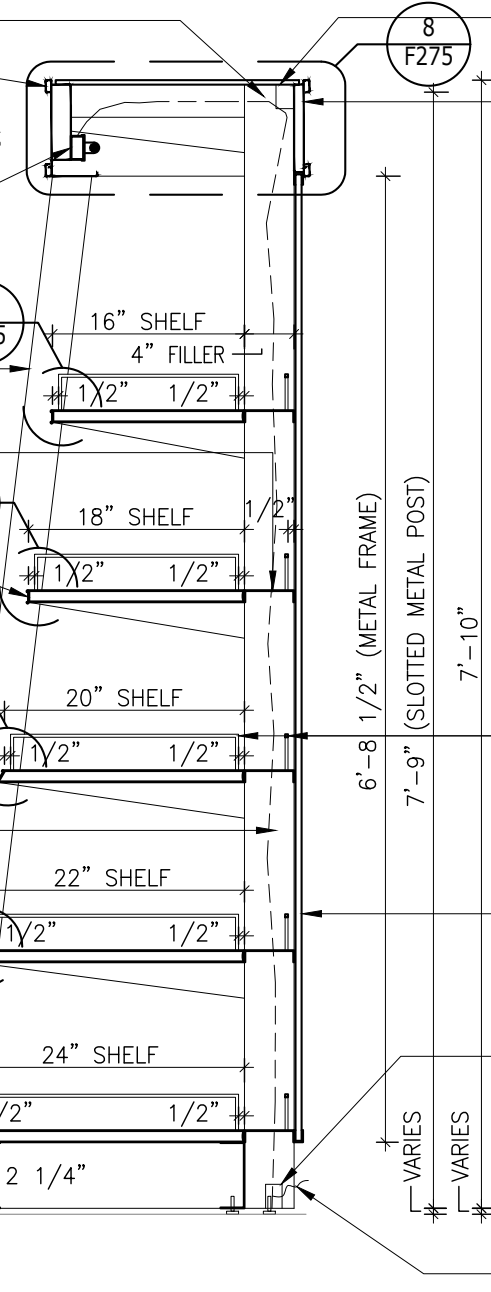
4 1/8" x 1 1/2" x 7'-9" HIGH HEAVY DUTY SLOTTED METAL POST (SLOTS AT 1" O.C. TYP.) C/W CONTINUOUS FULL HEIGHT METAL CAP DETAIL TO BOTH SIDES OF POSTS TO CONCEAL WELDS. ALL IN FIN. NO. (24) (TYPICAL AT ALL POSTS)

ANGLED METAL TICKET HOLDER BY SHELVING CONTRACTOR TO ACCOMMODATE STANDARD LCBO 1" PAPER TICKETS AT BASE (SEE DETAIL 6/F275)

SIDE BASE COVER PLATES AT ENDS BY SHELVING SUPPLIER IN FIN. NO. (17)

RECESSED METAL BASE FIN. NO. (17)

METAL BASE TO WRAP METAL GABLE FIN. (24) BY METAL SHELVING SUPPLIER (DENOTED BY HATCHING)



SHELVING SUPPLIER TO INSTALL METAL TOP CAP TO POSTS FOR ANCHORING OF MILLWORK CANOPY

8" H. BREAKFORM METAL SIGNBAND WITH PT. FIN. NO. (24) TO WRAP ALL SIDES OF POSTS BY METAL SHELVING SUPPLIER. NO VISIBLE CONNECTORS/FASTENERS

HEAVY DUTY METAL SHELVING C/W STRAIGHT METAL TICKET HOLDERS TO ACCOMMODATE STANDARD LCBO 1" HIGH STRAIGHT PAPER TICKETS AT TOP TWO SHELVES (SEE DETAIL 7, F275) ON H.D. METAL BRACKETS ALL IN FIN. NO. (24)

1/4" SQ. METAL RAIL FIN. NO. (55) TO BE SUPPLIED + INSTALLED BY METAL SHELVING SUPPLIER. METAL SHELVING SUPPLIER TO PRE-DRILL HOLES FOR METAL RAILS LOCATED AT 2 OUTER ENDS AND ACROSS REAR EDGE OF ALL SHELVES AS SHOWN.

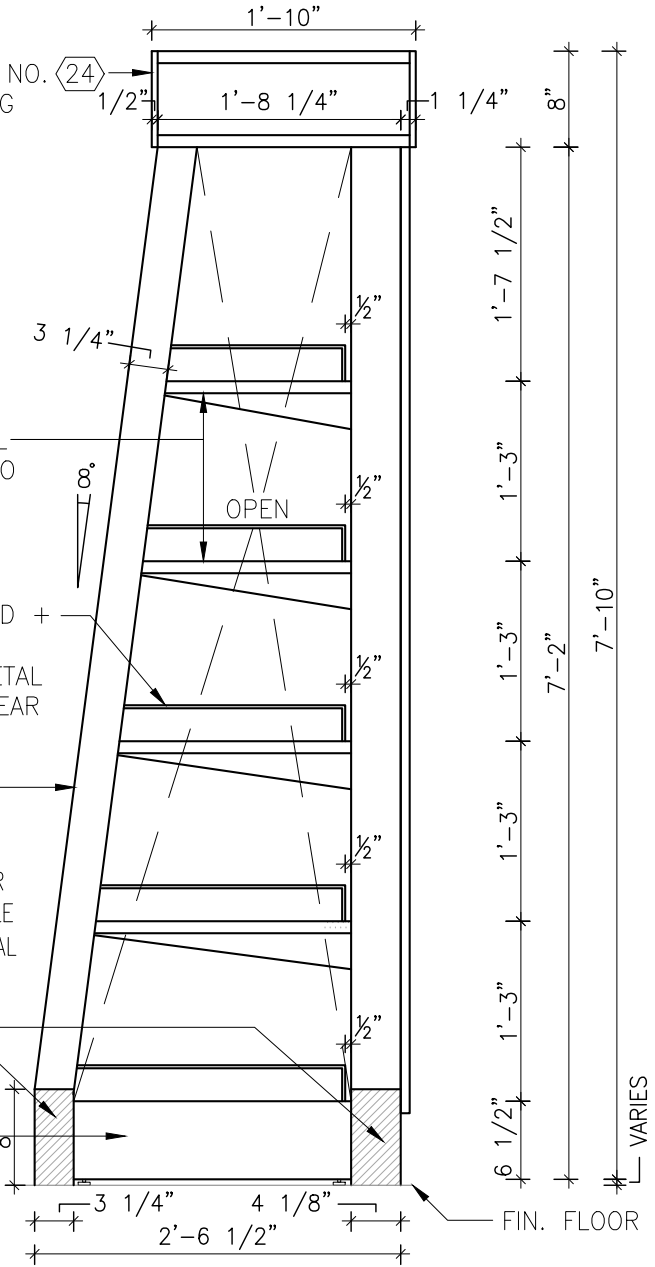
1 1/4" THK. TAPERED METAL GABLE BY METAL SHELVING SUPPLIER FIN. NO. (24)

.220" NOMINAL CLEAR PETG CENTER CORE W/ .006" 5 YEAR DADE UV FILM FUSED ON BOTH SIDES, FINE SUEDE AVAILABLE FROM BARBICAN ARCHITECTURAL PRODUCTS IN 1" x 3/8" METAL FRAME FIN. NO. (55) (ALL SIDES)

METAL BASE TO WRAP METAL GABLE FIN. (24) BY METAL SHELVING SUPPLIER (DENOTED BY HATCHING)

SIDE BASE COVER PLATES AT ENDS BY METAL SHELVING SUPPLIER IN FIN. NO. (17) RECESSED BACK FROM METAL GABLE

CUT-OUT IN METAL POST FOR CONCEALED POWER FEED



4 SECTION
F275 3/4" = 1'-0"

NOTE:
ALL 1" METAL TICKET HOLDERS TO RECEIVE 1 3/4" PLASTIC GREY TICKET HOLDER INSERT TO SPAN LENGTH OF SHELF SECTION

5 ELEVATION
F275 3/4" = 1'-0"

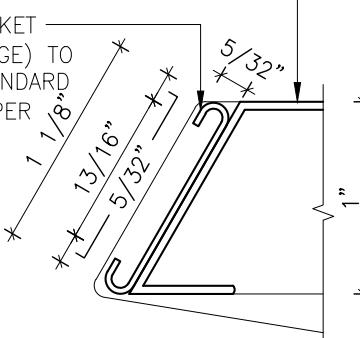
NOTE:

ALL LIGHTING TO BE SUPPLIED + INSTALLED BY GC. COORDINATE CUT-OUT OPENING WITH METAL SHELVING SUPPLIER AS REQUIRED. ENSURE ALL WIRING IS CONCEALED FROM CUSTOMERS VIEW. GC TO COORDINATE WITH SUPPLIER TO ENSURE TIMELY DELIVERY OF LIGHTS TO SUIT THE CONSTRUCTION SCHEDULE.

HEAVY DUTY METAL SHELVING C/W ANGLED METAL TICKET HOLDERS ON H.D. METAL BRACKETS ALL IN FIN. NO. (24)

ANGLED METAL TICKET HOLDERS (20 GAUGE) TO ACCOMMODATE STANDARD LCBO 1" HIGH PAPER TICKETS AT ALL SHELVES FIN. (24)

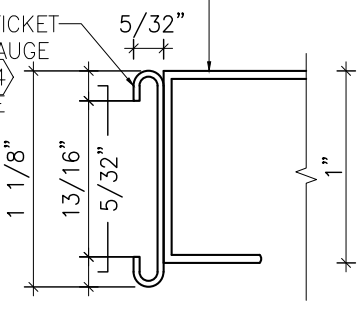
NOTE: NO VISIBLE HOLES IN FRONT OF TICKET HOLDER



6 ANGLED METAL TICKET HOLDER DETAIL
F275 FULL SCALE

METAL SHELF FIN. NO. (24)
STRAIGHT METAL TICKET-HOLDER OF 20 GAUGE STEEL FIN. NO. (24) WELDED TO SLOPE NOSE OF METAL SHELF EDGE

NOTE: NO VISIBLE HOLES IN FRONT OF TICKET HOLDER



7 STRAIGHT METAL TICKET HOLDER DETAIL
F275 FULL SCALE

LCBO	200 GENERAL LIST	REVISION DATE	REV.	3 of 4	ISSUE DATE	STORE TYPE	STORE #
	DOUBLE-SIDED GIFT/SPIRITS FIXTURE WITH U.V. PETG PANEL (7'-10" H.)	2021 MAR	17	F275	2021 APR		

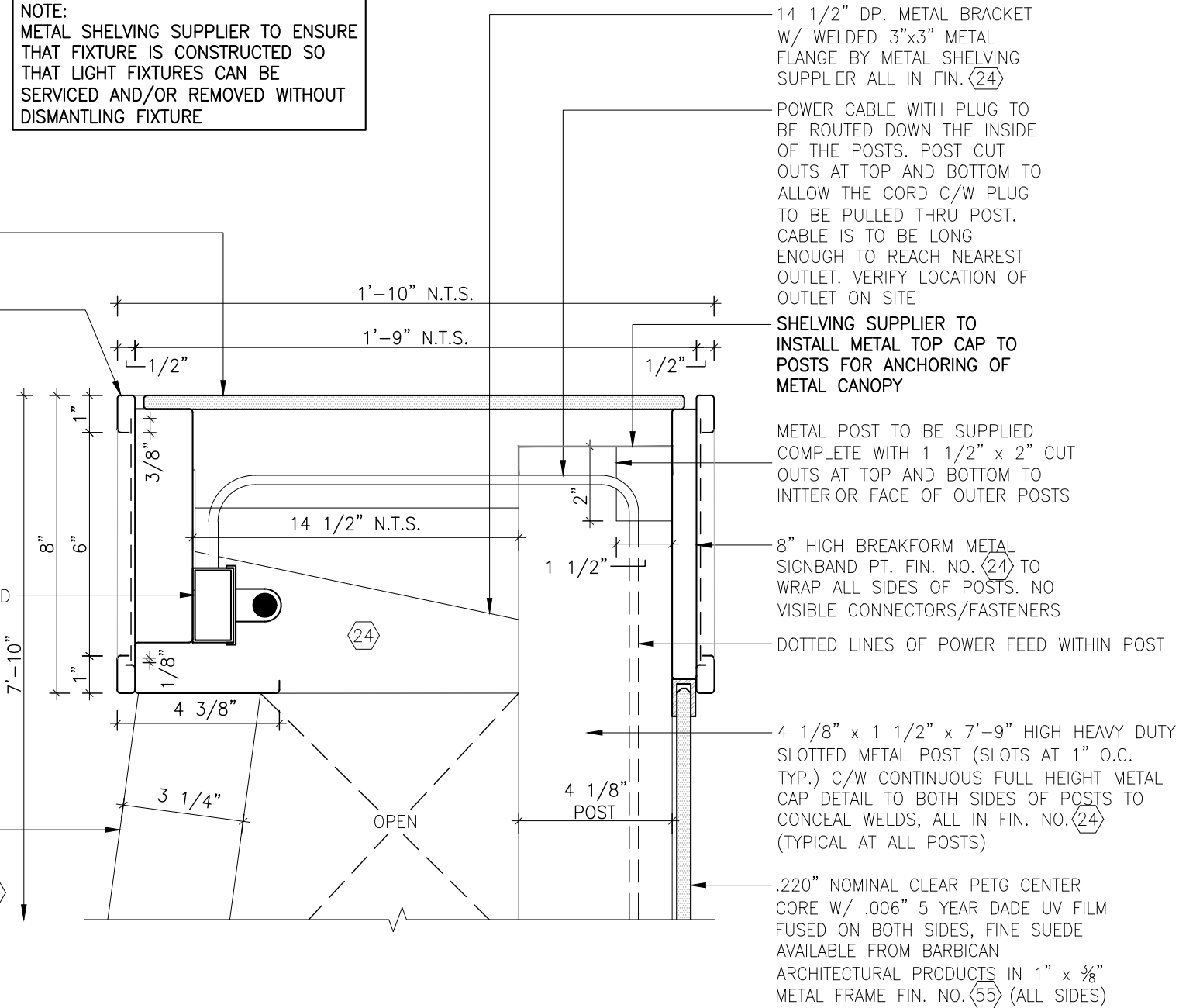
NOTE:
ALL COMPONENTS SUPPLIED BY METAL SHELVING SUPPLIER INCLUDING TOP SIGNAGE CANOPY.

NOTE:
METAL SHELVING SUPPLIER TO ENSURE THAT FIXTURE IS CONSTRUCTED SO THAT LIGHT FIXTURES CAN BE SERVICED AND/OR REMOVED WITHOUT DISMANTLING FIXTURE

3/8" THK. FROSTED PLEXI-GLASS INSERTS ON RUBBER CUSHIONS
8" HIGH BREAKFORM METAL SIGNBAND PT. FIN. NO. (24) TO WRAP ALL SIDES OF POSTS. NO VISIBLE CONNECTORS/FASTENERS

T5 FLUORESCENT LIGHT FIXTURE SUPPLIED + INSTALLED BY GC MOUNTED TO BACK SIDE OF SIGN BAND (END TO END). CONCEAL POWER FEED WITHIN METAL POST AS REQUIRED

1 1/4" x 3 1/4" TAPERED METAL POST BY METAL SHELVING SUPPLIER PT. FIN. NO. (24)



14 1/2" DP. METAL BRACKET W/ WELDED 3"x3" METAL FLANGE BY METAL SHELVING SUPPLIER ALL IN FIN. (24)

POWER CABLE WITH PLUG TO BE ROUTED DOWN THE INSIDE OF THE POSTS. POST CUT OUTS AT TOP AND BOTTOM TO ALLOW THE CORD C/W PLUG TO BE PULLED THRU POST. CABLE IS TO BE LONG ENOUGH TO REACH NEAREST OUTLET. VERIFY LOCATION OF OUTLET ON SITE

SHELVING SUPPLIER TO INSTALL METAL TOP CAP TO POSTS FOR ANCHORING OF METAL CANOPY

METAL POST TO BE SUPPLIED COMPLETE WITH 1 1/2" x 2" CUT OUTS AT TOP AND BOTTOM TO INTERIOR FACE OF OUTER POSTS

8" HIGH BREAKFORM METAL SIGNBAND PT. FIN. NO. (24) TO WRAP ALL SIDES OF POSTS. NO VISIBLE CONNECTORS/FASTENERS

DOTTED LINES OF POWER FEED WITHIN POST

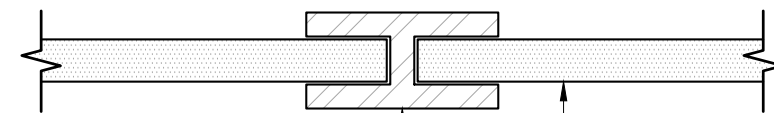
4 1/8" x 1 1/2" x 7'-9" HIGH HEAVY DUTY SLOTTED METAL POST (SLOTS AT 1" O.C. TYP.) C/W CONTINUOUS FULL HEIGHT METAL CAP DETAIL TO BOTH SIDES OF POSTS TO CONCEAL WELDS, ALL IN FIN. NO. (24) (TYPICAL AT ALL POSTS)

.220" NOMINAL CLEAR PETG CENTER CORE W/ .006" 5 YEAR DADE UV FILM FUSED ON BOTH SIDES, FINE SUEDE AVAILABLE FROM BARBICAN ARCHITECTURAL PRODUCTS IN 1" x 3/8" METAL FRAME FIN. NO. (55) (ALL SIDES)

8 DETAIL
F275 3" = 1'-0"

GENERAL NOTES

- DIMENSIONS SHOWN REFLECT SHELF & BASE DIMENSIONS ONLY & DO NOT TAKE METAL TICKET HOLDERS INTO ACCOUNT
- ALL ADJUSTMENTS TO COMPENSATE FOR NON-LEVEL FLOOR SURFACES TO BE MADE AT BOTTOM END OF POST
- METAL SHELVING SUPPLIER TO OBTAIN SIGNAGE SAMPLE FROM LCBO PRIOR TO FABRICATION TO ENSURE PROPER FIT OF SIGNAGE INSERT
- METAL SHELVING SUPPLIER TO OBTAIN 1" HIGH PAPER TICKET SAMPLE FROM LCBO PRIOR TO FABRICATION TO ENSURE PROPER FIT WITHIN TICKET MOULDING. SUBMIT SAMPLE FOR APPROVAL
- ENSURE ALL SHELVES ARE IN EXACT ALIGNMENT AND ARE TRUE & LEVEL. PERFORATED SHELVES ARE NOT ACCEPTABLE. SHELVES TO SUPPORT LOAD CAPACITY OF 500LBS
- ALL METAL SHELVING COMPONENTS TO BE SUPPLIED TO GC FOR FINAL ASSEMBLY ON-SITE (TO BE COORDINATED BY GC)

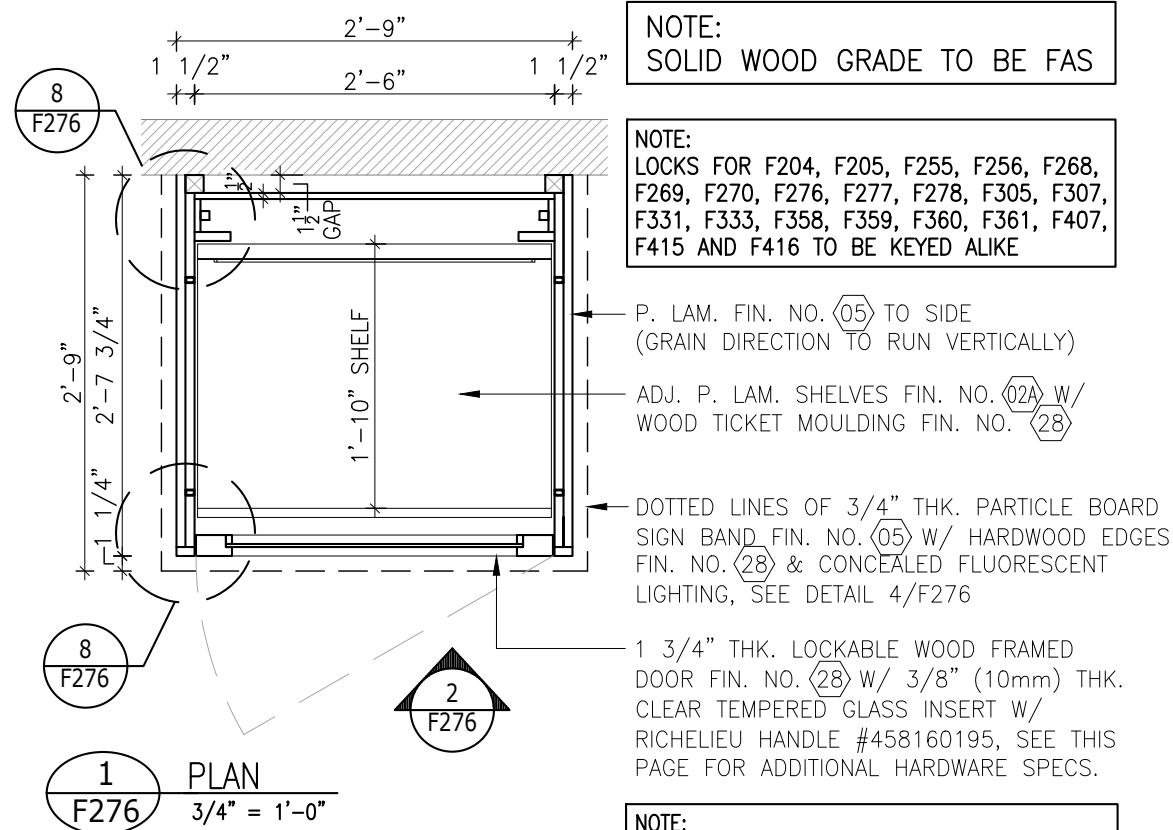


SATIN STAINLESS METAL CLIPS FIN. NO. (55) TO SECURE ADJACENT PLEXI PANELS. PLEXI SEAMS TO MEET O.C. OF METAL POSTS BEYOND, CLIPS TO ALIGN WITH SHELVING BEYOND.

.220" NOMINAL CLEAR PETG CENTER CORE W/ .006" 5 YEAR DADE UV FILM FUSED ON BOTH SIDES, FINE SUEDE AVAILABLE FROM BARBICAN ARCHITECTURAL PRODUCTS IN 1" x 3/8" METAL FRAME FIN. NO. (55) (ALL SIDES)

9 GLAZING CLIP DETAIL
F275 FULL SCALE

LCBO	200 GENERAL LIST	REVISION DATE	REV.	4 of 4	ISSUE DATE	STORE TYPE	STORE #
	DOUBLE-SIDED GIFT/SPIRITS FIXTURE WITH U.V. PETG PANEL (7'-10" H.)	2021 MAR	17	F275	2021 APR		



NOTE:
SOLID WOOD GRADE TO BE FAS

NOTE:
LOCKS FOR F204, F205, F255, F256, F268, F269, F270, F276, F277, F278, F305, F307, F331, F333, F358, F359, F360, F361, F407, F415 AND F416 TO BE KEYED ALIKE

P. LAM. FIN. NO. (05) TO SIDE (GRAIN DIRECTION TO RUN VERTICALLY)
 ADJ. P. LAM. SHELVES FIN. NO. (02A) W/ WOOD TICKET MOULDING FIN. NO. (28)
 DOTTED LINES OF 3/4" THK. PARTICLE BOARD SIGN BAND FIN. NO. (05) W/ HARDWOOD EDGES FIN. NO. (28) & CONCEALED FLUORESCENT LIGHTING, SEE DETAIL 4/F276

1 3/4" THK. LOCKABLE WOOD FRAMED DOOR FIN. NO. (28) W/ 3/8" (10mm) THK. CLEAR TEMPERED GLASS INSERT W/ RICHELIEU HANDLE #458160195, SEE THIS PAGE FOR ADDITIONAL HARDWARE SPECS.

NOTE:
ALL WOOD TICKET MOULDINGS TO ACCOMMODATE 1 3/4" PAPER TICKET

NOTE:
MILLWORK CONTRACTOR TO ENSURE THAT FIXTURE IS CONSTRUCTED SO THAT LIGHT FIXTURES CAN BE SERVICED AND/OR REMOVED WITHOUT DISMANTLING MILLWORK

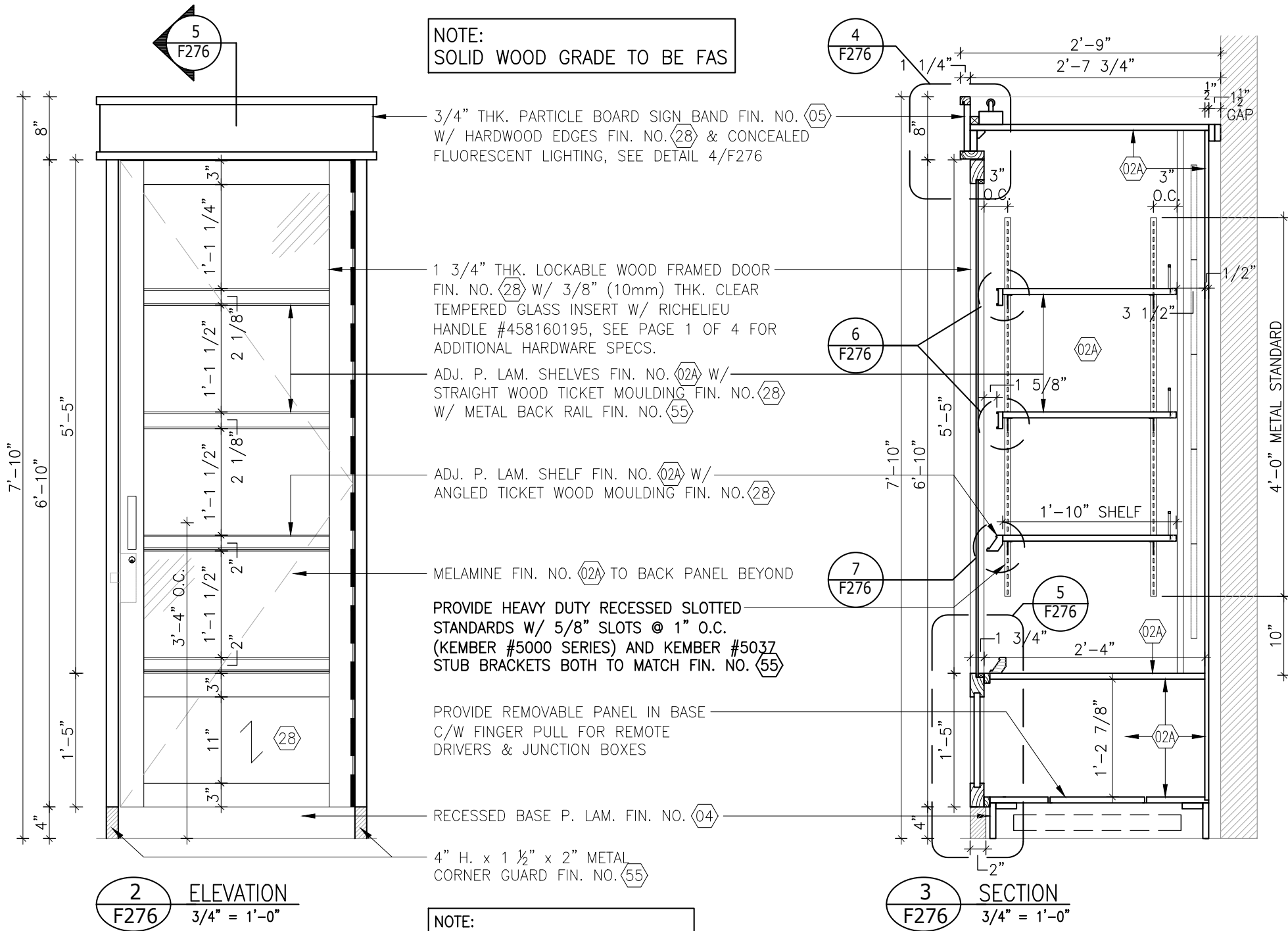
GENERAL NOTES:
ALL VERTICAL SURFACES ON THE INTERIOR (GABLES, BACK PANELS, AND DIVIDERS) ARE TO BE CONSTRUCTED OF PREFINISHED PARTICLE BOARD PANELS W/ MELAMINE FIN. NO. (02) BOTH SIDES. MILLWORK CONTRACTOR TO PROVIDE HARDWOOD EDGE IN FIN. NO. (28) TO ALL EXPOSED EDGES.

NOTE:
MILLWORK CONTRACTOR TO PROVIDE (1) COAT OF URETHANE SEALER AND (2) TOP COATS OF SATIN LACQUER TO FIN. NO. (28)

MILLWORK CONTRACTOR TO ENSURE THAT ALL SHELVES ARE IN EXACT ALIGNMENT WITH ADJACENT F252 & F253 UNITS.

HARDWARE SPECIFICATIONS:
 ADAM RITE DEADLOCK #ARMS1850S410628
 MORTISE CYLINDER #LSM1002SCC26D
 1" C/W (2) KEYS CLEAR ANODIZED ALUMINUM FINISH
 STRIKE FOR HOOK BOLT #ARMS4001031628
 SPACER RING #IL861F2810 - 1/4" THK.
 CLEAR ANODIZED ALUMINUM
 NOTE: LOCK CYLINDER TO BE SUPPLIED & INSTALLED BY LCBO, FITUP BY G.C.
 3" .060 GA 8FT LONG CONTINUOUS PIANO HINGE BY RICHELIEU
 MODEL: #76096180 (BRUSHED NICKEL FINISH)
 DOOR PULL BY RICHELIEU
 MODEL: #458160195 (BRUSHED NICKEL FINISH)
 HEAVY DUTY RECESSED SLOTTED STANDARDS W/ 5/8" SLOTS @ 1" O.C. (KEMBER #5000 SERIES) AND KEMBER #5037 STUB BRACKETS BOTH TO MATCH FIN. NO. (55)

LCBO	200 GENERAL LIST	REVISION DATE	REV.	1 of 4	ISSUE DATE	STORE TYPE	STORE #
	1-MODULE GENERAL LIST PERIMETER LOCKABLE DISPLAY (7'-10" H.)	2021 MAR	17	F276	2021 APR		



NOTE:
SOLID WOOD GRADE TO BE FAS

3/4" THK. PARTICLE BOARD SIGN BAND FIN. NO. (05)
W/ HARDWOOD EDGES FIN. NO. (28) & CONCEALED
FLUORESCENT LIGHTING, SEE DETAIL 4/F276

1 3/4" THK. LOCKABLE WOOD FRAMED DOOR
FIN. NO. (28) W/ 3/8" (10mm) THK. CLEAR
TEMPERED GLASS INSERT W/ RICHELIEU
HANDLE #458160195, SEE PAGE 1 OF 4 FOR
ADDITIONAL HARDWARE SPECS.

ADJ. P. LAM. SHELVES FIN. NO. (02A) W/
STRAIGHT WOOD TICKET MOULDING FIN. NO. (28)
W/ METAL BACK RAIL FIN. NO. (55)

ADJ. P. LAM. SHELF FIN. NO. (02A) W/
ANGLED TICKET WOOD MOULDING FIN. NO. (28)

MELAMINE FIN. NO. (02A) TO BACK PANEL BEYOND

PROVIDE HEAVY DUTY RECESSED SLOTTED
STANDARDS W/ 5/8" SLOTS @ 1" O.C.
(KEMBER #5000 SERIES) AND KEMBER #5037
STUB BRACKETS BOTH TO MATCH FIN. NO. (55)

PROVIDE REMOVABLE PANEL IN BASE
C/W FINGER PULL FOR REMOTE
DRIVERS & JUNCTION BOXES

RECESSED BASE P. LAM. FIN. NO. (04)

4" H. x 1 1/2" x 2" METAL
CORNER GUARD FIN. NO. (55)

2 ELEVATION
F276 3/4" = 1'-0"

3 SECTION
F276 3/4" = 1'-0"

NOTE:
ALL WOOD TICKET MOULDINGS TO
ACCOMMODATE 1 3/4" PAPER TICKET

LCBO	200 GENERAL LIST	REVISION DATE	REV.	2 of 4	ISSUE DATE	STORE TYPE	STORE #
	1-MODULE GENERAL LIST PERIMETER LOCKABLE DISPLAY (7'-10" H.)	2021 MAR	17	F276	2021 APR		

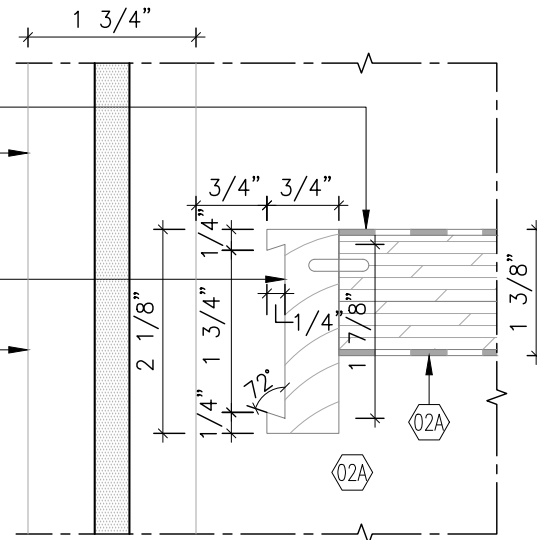
NOTE:
ALL WOOD TICKET MOULDINGS TO
ACCOMMODATE 1 3/4" PAPER TICKET

3/4" THK. PARTICLE BRD. SHELF W/
MELAMINE FIN. NO. (02A) TO BOTH SIDES

EXTENT OF PARTICLE BOARD
GABLE BEYOND
FIN. NO. (02A) WITH 1" THICK
HARDWOOD TRIM FIN. NO. (28)

HARDWOOD TICKET MOULDING
(STRAIGHT) FIN. NO. (28)

1 3/4" THK. LOCKABLE WOOD
FRAMED DOOR FIN. NO. (28) W/
3/8" (10mm) THK. CLEAR
TEMPERED GLASS INSERT W/
RICHELIEU HANDLE #458160195,
SEE PAGE 1 OF 4 FOR
ADDITIONAL HARDWARE SPECS.



6
F276
DETAIL
6" = 1'-0"

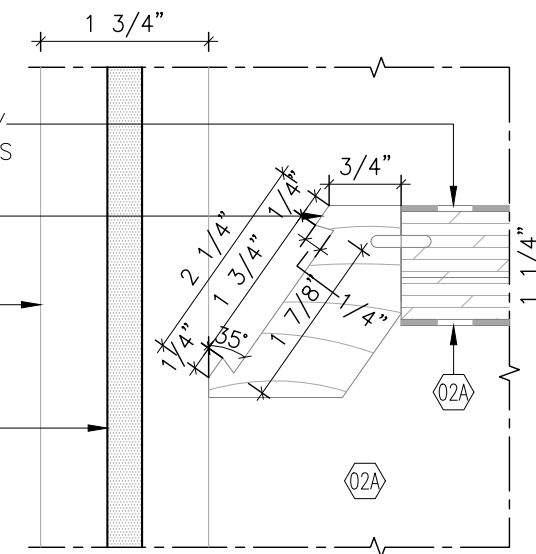
NOTE:
ALL WOOD TICKET MOULDINGS TO
ACCOMMODATE 1 3/4" PAPER TICKET

3/4" THK. PARTICLE BRD. SHELF W/
MELAMINE FIN. NO. (02A) TO BOTH SIDES

HARDWOOD TICKET MOULDING
(ANGLED) FIN. NO. (28)

EXTENT OF PARTICLE BOARD
GABLE BEYOND FIN. NO. (05) W/
1" THICK HARDWOOD TRIM FIN. NO. (28)

1 3/4" THK. LOCKABLE WOOD
FRAMED DOOR FIN. NO. (28) W/
3/8" (10mm) THK. CLEAR
TEMPERED GLASS INSERT W/
RICHELIEU HANDLE #458160195,
SEE PAGE 1 OF 4 FOR
ADDITIONAL HARDWARE SPECS.



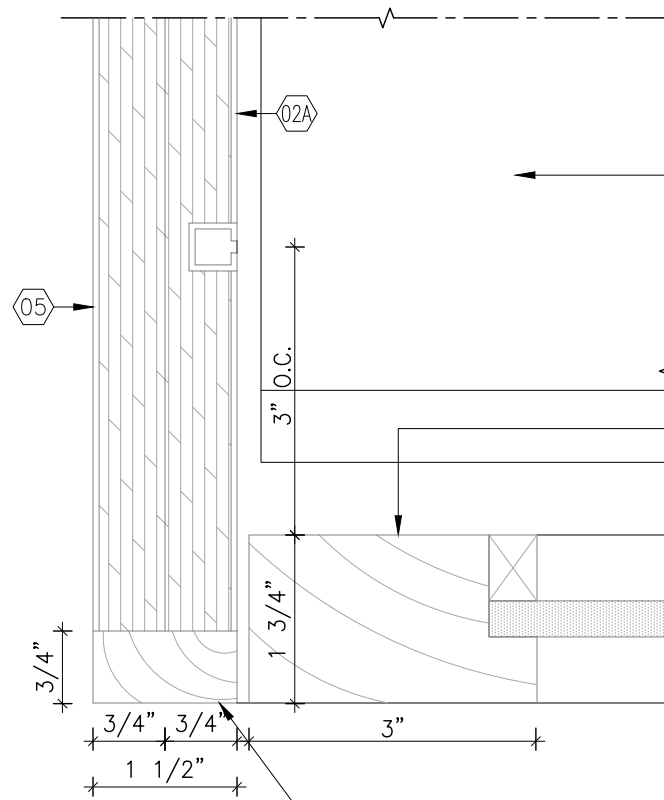
7
F276
DETAIL
6" = 1'-0"

L.E.D. LIGHTSTRIPS:
PROVIDE 12 @ 12" LENGTH AS
INDICATED WITHIN MILLWORK.

LED LIGHTSTRIPS BY TECHNILITE:
MODEL#: L3-32-GI-SEB
LENGTH=12"

OUTPUT=2.4 WATTS / 97 LUMENS PER FT.
COLOUR TEMP. 3200°K
DURATION: 50,000 HRS

*ALL L.E.D. LIGHTING AND ASSOCIATED
COMPONENTS TO BE SUPPLIED &
INSTALLED BY MILLWORK CONTRACTOR,
FINAL CONNECTION BY G.C.'S
ELECTRICAL SUBTRADE. ENSURE ALL
WIRING/DRIVERS ARE CONCEALED
FROM CUSTOMER'S VIEW.



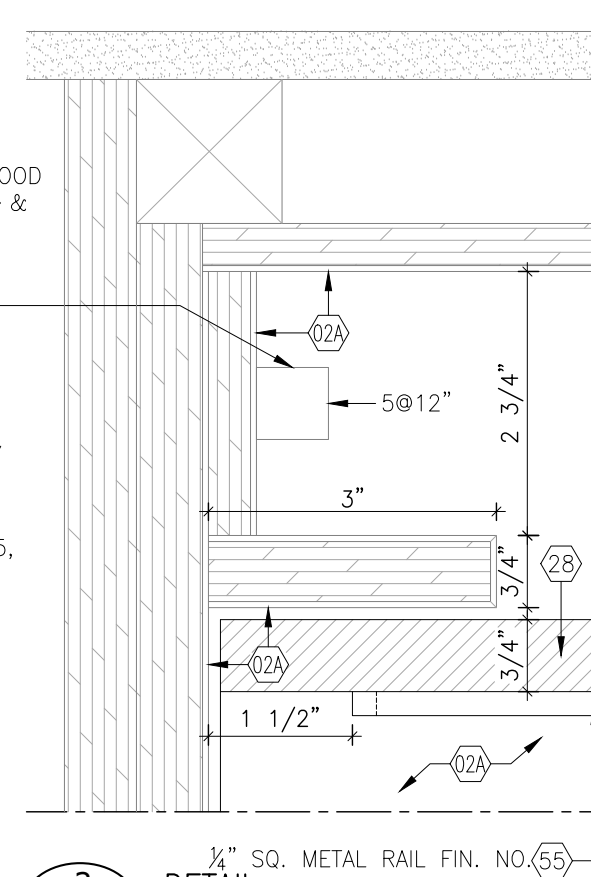
8
F276
DETAIL
6" = 1'-0"

NOTE:
SOLID WOOD GRADE
TO BE FAS

ADJUSTABLE SHELF W/ HARDWOOD
TICKET MOULDING FIN. NO. (28) &
P. LAM. FIN. NO. (02A)

L.E.D. STRIPLIGHTS, SEE SPEC.
THIS PAGE

1 3/4" THK. LOCKABLE WOOD
FRAMED DOOR FIN. NO. (28) W/
3/8" (10mm) THK. CLEAR
TEMPERED GLASS INSERT W/
RICHELIEU HANDLE #458160195,
SEE PAGE 1 OF 4 FOR
ADDITIONAL HARDWARE SPECS.



3
F276
DETAIL
6" = 1'-0"

LCBO

200 GENERAL LIST

1-MODULE GENERAL LIST PERIMETER LOCKABLE DISPLAY (7'-10" H.)

REVISION
DATE

2021
MAR

REV.

17

4 of 4

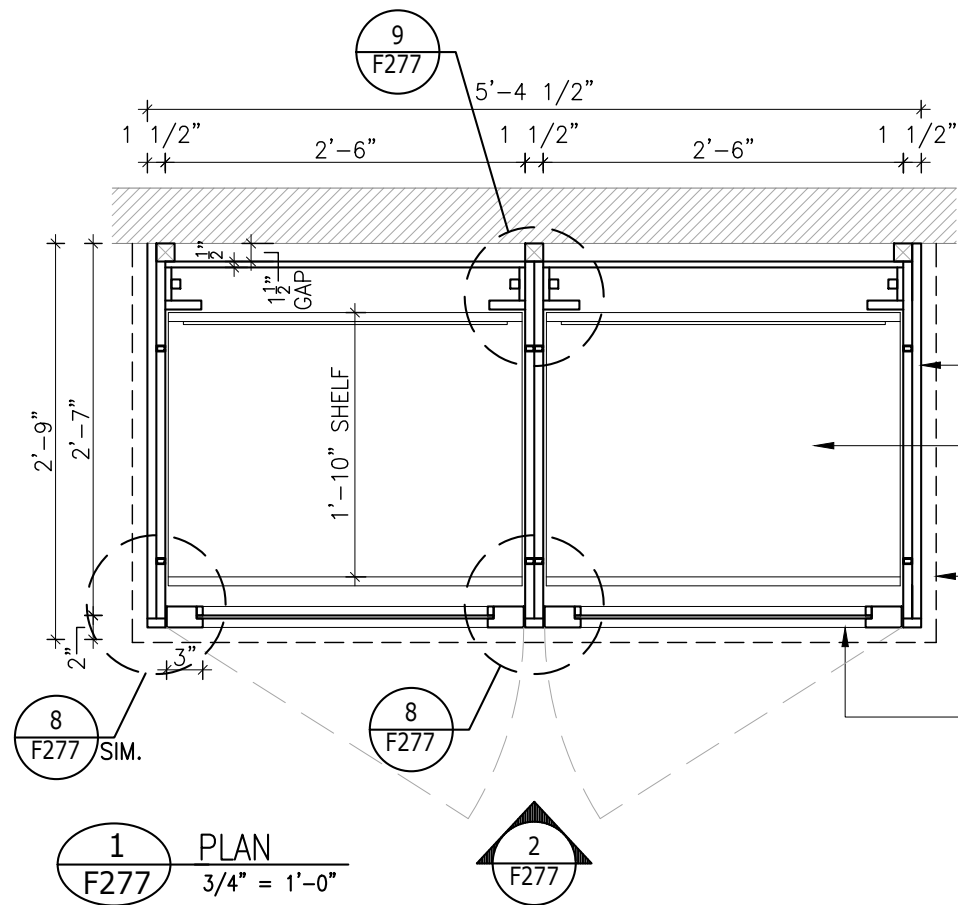
F276

ISSUE
DATE

2021
APR

STORE
TYPE

STORE #



NOTE:
SOLID WOOD GRADE TO BE FAS

NOTE:
LOCKS FOR F204, F205, F255, F256, F268, F269, F270, F276, F277, F278, F305, F307, F331, F333, F358, F359, F360, F361, F407, F415 AND F416 TO BE KEYED ALIKE

P. LAM. FIN. NO. (05) TO SIDE (GRAIN DIRECTION TO RUN VERTICALLY)
ADJ. P. LAM. SHELVES FIN. NO. (02A) W/ WOOD TICKET MOULDING FIN. NO. (28)

DOTTED LINES OF 3/4" THK. PARTICLE BOARD SIGN BAND FIN. NO. (05) W/ HARDWOOD EDGES FIN. NO. (28) & CONCEALED FLUORESCENT LIGHTING, SEE DETAIL 4/F277

1 3/4" THK. LOCKABLE WOOD FRAMED DOOR FIN. NO. (28) W/ 3/8" (10mm) THK. CLEAR TEMPERED GLASS INSERT W/ RICHELIEU HANDLE #458160195, SEE THIS PAGE FOR ADDITIONAL HARDWARE SPECS.

NOTE:
ALL WOOD TICKET MOULDINGS TO ACCOMMODATE 1 3/4" PAPER TICKET

NOTE:
MILLWORK CONTRACTOR TO ENSURE THAT FIXTURE IS CONSTRUCTED SO THAT LIGHT FIXTURES CAN BE SERVICED AND/OR REMOVED WITHOUT DISMANTLING MILLWORK

GENERAL NOTES:
ALL VERTICAL SURFACES ON THE INTERIOR (GABLES, BACK PANELS, AND DIVIDERS) ARE TO BE CONSTRUCTED OF PREFINISHED PARTICLE BOARD PANELS W/ MELAMINE FIN. NO. (02A) BOTH SIDES. MILLWORK CONTRACTOR TO PROVIDE HARDWOOD EDGE IN FIN. NO. (28) TO ALL EXPOSED EDGES.

NOTE:
MILLWORK CONTRACTOR TO PROVIDE (1) COAT OF URETHANE SEALER AND (2) TOP COATS OF SATIN LACQUER TO FIN. NO. (28)

MILLWORK CONTRACTOR TO ENSURE THAT ALL SHELVES ARE IN EXACT ALIGNMENT WITH ADJACENT F252 & F253 UNITS.

HARDWARE SPECIFICATIONS:

ADAM RITE DEADLOCK #ARMS1850S410628
MORTISE CYLINDER #LSM1002SCC26D
1" C/W (2) KEYS CLEAR ANODIZED ALUMINUM FINISH
STRIKE FOR HOOK BOLT #ARMS4001031628
SPACER RING #IL861F2810 - 1/4" THK.
CLEAR ANODIZED ALUMINUM
NOTE: LOCK CYLINDER TO BE SUPPLIED & INSTALLED BY LCBO, FITUP BY G.C.

3" .060 GA 8FT LONG CONTINUOUS PIANO HINGE BY RICHELIEU
MODEL: #76096180 (BRUSHED NICKEL FINISH)

DOOR PULL BY RICHELIEU
MODEL: #458160195 (BRUSHED NICKEL FINISH)

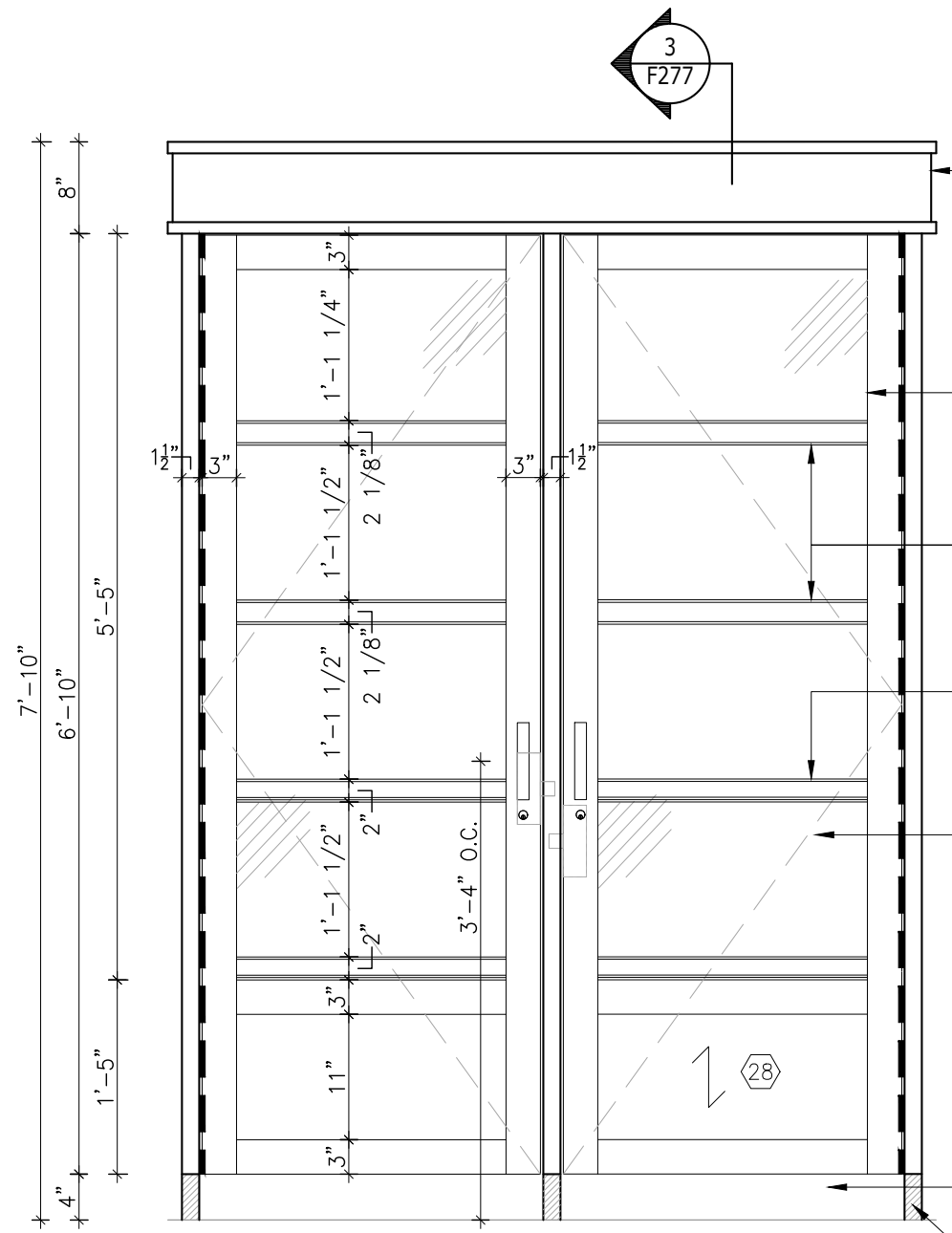
HEAVY DUTY RECESSED SLOTTED STANDARDS W/ 5/8" SLOTS @ 1" O.C. (KEMBER #5000 SERIES) AND KEMBER #5037 STUB BRACKETS BOTH TO MATCH FIN. NO. (55)

1 PLAN
F277 3/4" = 1'-0"

LCBO	200 GENERAL LIST	REVISION DATE	REV.	1 of 4	ISSUE DATE	STORE TYPE	STORE #
	2-MODULE GENERAL LIST PERIMETER LOCKABLE DISPLAY (7'-10" H.)	2021 MAR	17	F277	2021 APR		

NOTE:
SOLID WOOD GRADE TO BE FAS

NOTE:
MILLWORK CONTRACTOR TO ENSURE
THAT FIXTURE IS CONSTRUCTED SO
THAT LIGHT FIXTURES CAN BE
SERVICED AND/OR REMOVED WITHOUT
DISMANTLING MILLWORK



2
ELEVATION
F277 3/4" = 1'-0"

3/4" THK. PARTICLE BOARD SIGN BAND FIN. NO. (05)
W/ HARDWOOD EDGES FIN. NO. (28) & CONCEALED
FLUORESCENT LIGHTING, SEE DETAIL 4/F277

1 3/4" THK. LOCKABLE WOOD FRAMED DOOR
FIN. NO. (28) W/ 3/8" (10mm) THK. CLEAR
TEMPERED GLASS INSERT W/ RICHELIEU
HANDLE #458160195, SEE PAGE 1 OF 4 FOR
ADDITIONAL HARDWARE SPECS.

ADJ. P. LAM. SHELVES FIN. NO. (02A) W/
STRAIGHT WOOD TICKET MOULDING FIN. NO. (28)
W/ METAL BACK RAIL FIN. NO. (55)

ADJ. P. LAM. SHELF FIN. NO. (02A) W/
ANGLED TICKET WOOD MOULDING FIN. NO. (28)

MELAMINE FIN. NO. (02A) TO BACK PANEL BEYOND

PROVIDE HEAVY DUTY RECESSED SLOTTED
STANDARDS W/ 5/8" SLOTS @ 1" O.C.
(KEMBER #5000 SERIES) AND KEMBER #5037
STUB BRACKETS BOTH TO MATCH FIN. NO. (55)

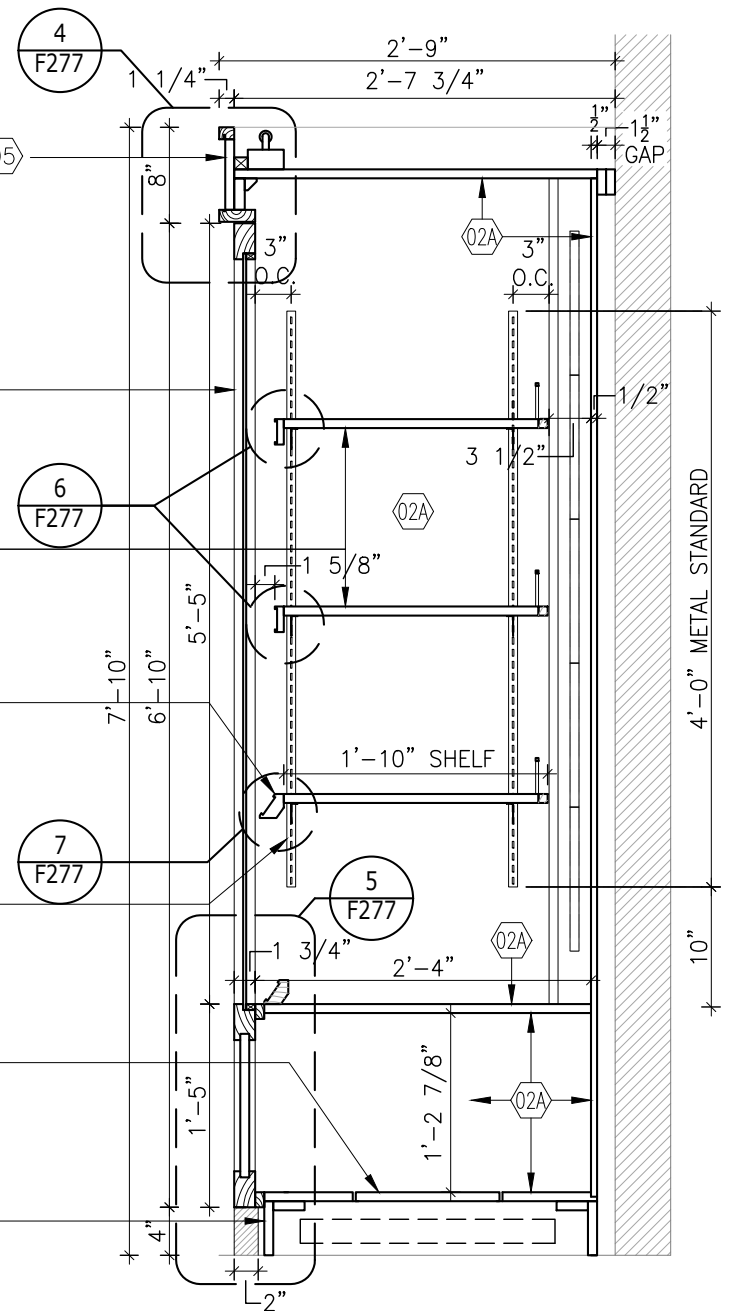
PROVIDE REMOVABLE PANEL IN BASE
C/W FINGER PULL FOR REMOTE
DRIVERS & JUNCTION BOXES

RECESSED BASE P. LAM. FIN. NO. (04)

4" H. x 1 1/2" x 2" METAL
CORNER GUARD FIN. NO. (55)

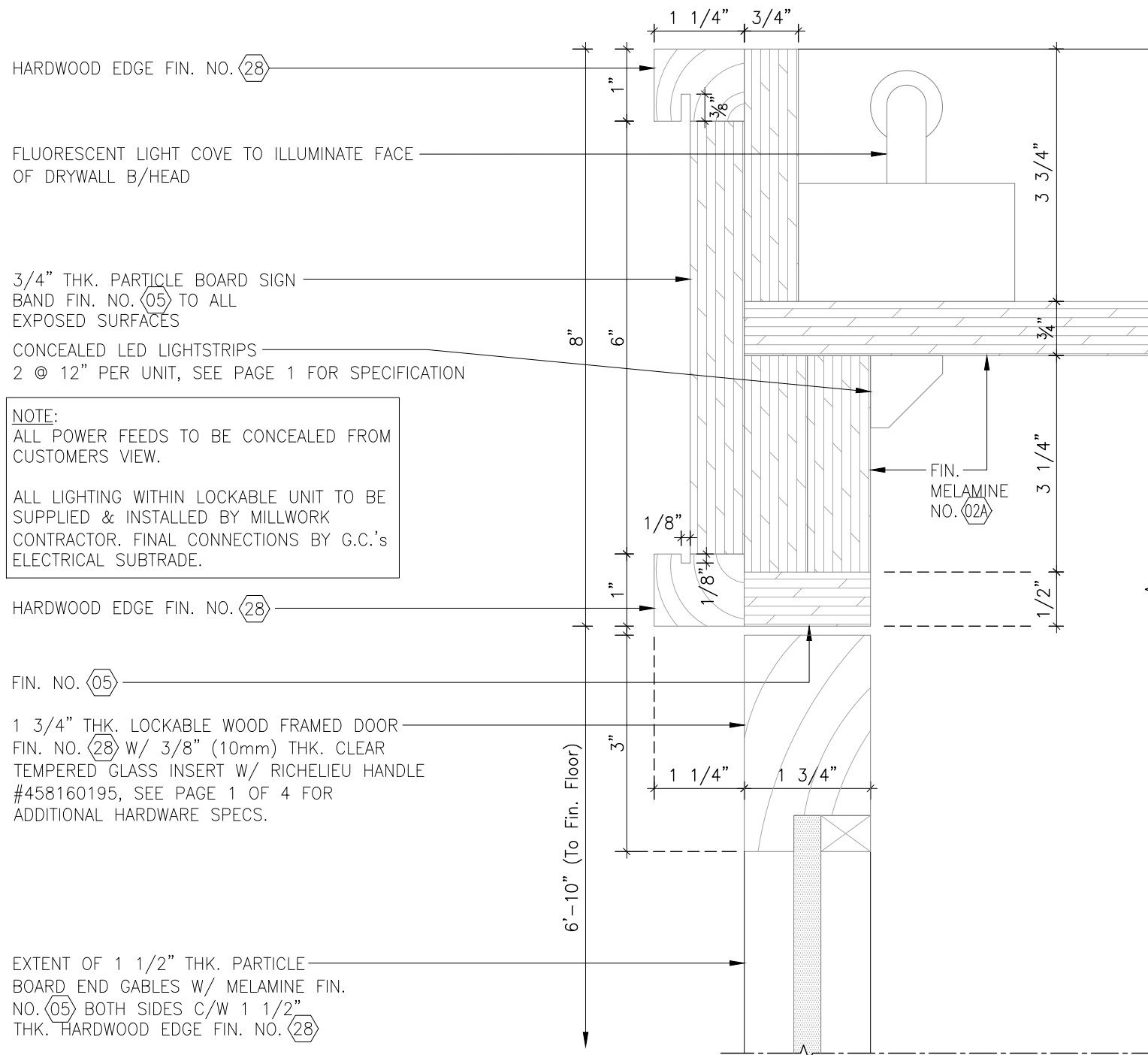
NOTE:
ALL WOOD TICKET MOULDINGS TO
ACCOMMODATE 1 3/4" PAPER TICKET

NOTE:
EACH DOOR TO HAVE INDIVIDUAL
LOCKING MECHANISM



3
SECTION
F277 3/4" = 1'-0"

LCBO	200 GENERAL LIST	REVISION DATE	REV.	2 of 4	ISSUE DATE	STORE TYPE	STORE #
	2-MODULE GENERAL LIST PERIMETER LOCKABLE DISPLAY (7'-10" H.)	2021 MAR	17	F277	2021 APR		



4 SECTION-DETAIL
F277 6" = 1'-0"

NOTE:
ALL WOOD TICKET MOULDINGS TO ACCOMMODATE 1 3/4" PAPER TICKET

MELAMINE FIN. NO. (02A) TO GABLE BEYOND

FIXED HARDWOOD TICKET MOULDING (ANGLED) FIN. NO. (28)

1 3/4" THK. LOCKABLE WOOD FRAMED DOOR FIN. NO. (28) (ALL SIDES) W/ 3/8" (10mm) THK. CLEAR TEMPERED GLASS INSERT W/ RICHELIEU HANDLE #458160195, SEE PAGE 1 OF 4 FOR ADDITIONAL HARDWARE SPECS.

NOTE:
SOLID WOOD GRADE TO BE FAS

MAPLE VENEER TO MATCH FIN. NO. (28)

MELAMINE FIN. NO. (02A) TO ALL INTERIOR SURFACES OF LOCKABLE CABINET

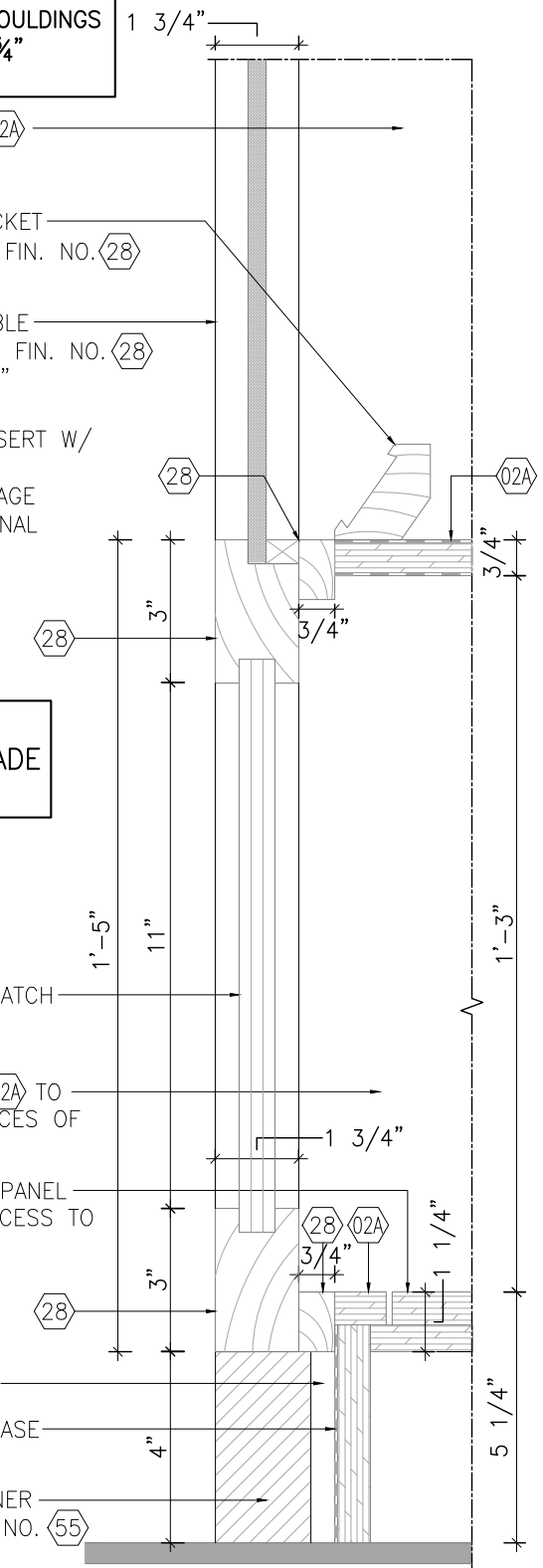
REMOVABLE ACCESS PANEL FIN. NO. (02A) FOR ACCESS TO REMOTE BALLASTS

P. LAM. FIN. NO. (05)

RECESSED P. LAM. BASE FIN. NO. (04)

4" HIGH METAL CORNER GUARD BEYOND FIN. NO. (55)

5 DETAIL
F277 3" = 1'-0"



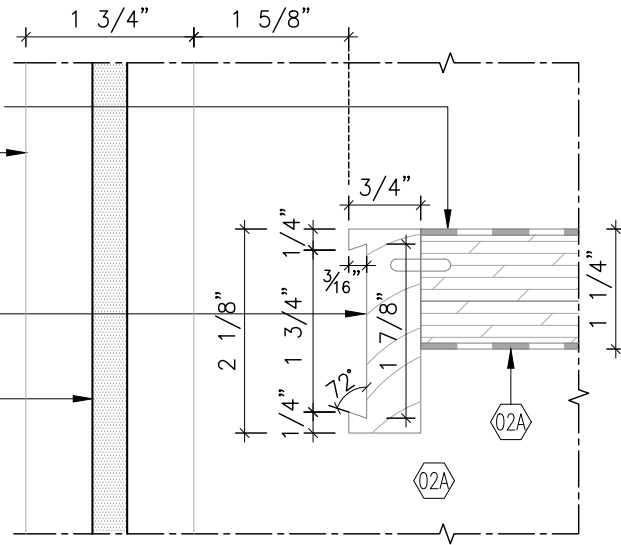
LCBO	200 GENERAL LIST	REVISION DATE	REV.	3 of 4	ISSUE DATE	STORE TYPE	STORE #
	2-MODULE GENERAL LIST PERIMETER LOCKABLE DISPLAY (7'-10" H.)	2021 MAR	17	F277	2021 APR		

NOTE:
ALL WOOD TICKET MOULDINGS TO
ACCOMMODATE 1 3/4" PAPER TICKET

3/4" THK. PARTICLE BRD. SHELF W/
MELAMINE FIN. NO. (02A) TO BOTH SIDES
EXTENT OF PARTICLE BOARD
GABLE BEYOND
FIN. NO. (05) WITH 1" THICK
HARDWOOD TRIM FIN. NO. (28)

HARDWOOD TICKET MOULDING
(STRAIGHT) FIN. NO. (28)

1 3/4" THK. LOCKABLE WOOD
FRAMED DOOR FIN. NO. (28) W/
3/8" (10mm) THK. CLEAR
TEMPERED GLASS INSERT W/
RICHELIEU HANDLE #458160195,
SEE PAGE 1 OF 4 FOR
ADDITIONAL HARDWARE SPECS.



6
F277
DETAIL
6" = 1'-0"

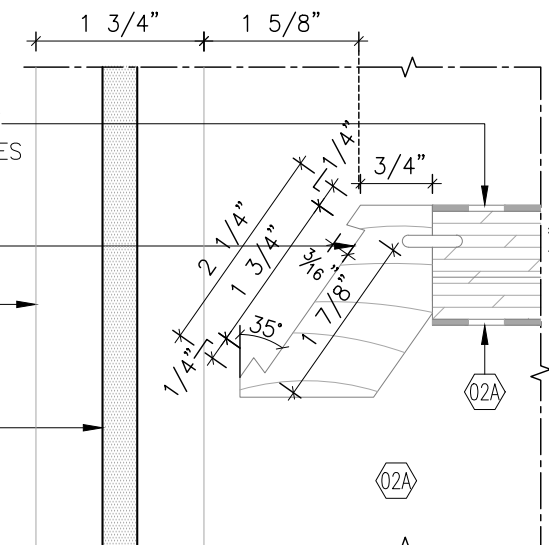
NOTE:
ALL WOOD TICKET MOULDINGS TO
ACCOMMODATE 1 3/4" PAPER TICKET

3/4" THK. PARTICLE BRD. SHELF W/
MELAMINE FIN. NO. (02A) TO BOTH SIDES

HARDWOOD TICKET MOULDING
(ANGLED) FIN. NO. (28)

EXTENT OF PARTICLE BOARD
GABLE BEYOND FIN. NO. (05) W/
1" THICK HARDWOOD TRIM FIN. NO. (28)

1 3/4" THK. LOCKABLE WOOD
FRAMED DOOR FIN. NO. (28) W/
3/8" (10mm) THK. CLEAR
TEMPERED GLASS INSERT W/
RICHELIEU HANDLE #458160195,
SEE PAGE 1 OF 4 FOR
ADDITIONAL HARDWARE SPECS.

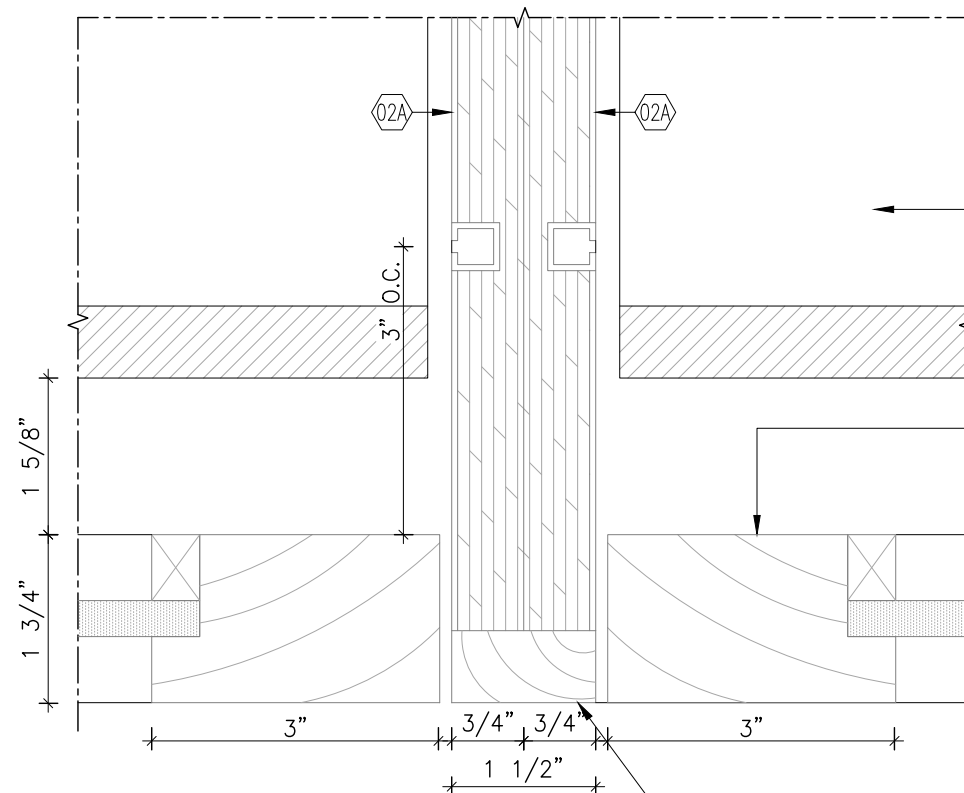


7
F277
DETAIL
6" = 1'-0"

L.E.D. LIGHTSTRIPS:
PROVIDE 24 @ 12" LENGTH AS
INDICATED WITHIN MILLWORK.

LED LIGHTSTRIPS BY TECHNILITE:
MODEL#: L3-32-GI-SEB
LENGTH=12"
OUTPUT=2.4 WATTS / 97 LUMENS PER FT.
COLOUR TEMP. 3200°K
DURATION: 50,000 HRS

*ALL L.E.D. LIGHTING AND ASSOCIATED
COMPONENTS TO BE SUPPLIED &
INSTALLED BY MILLWORK CONTRACTOR,
FINAL CONNECTION BY G.C.'S
ELECTRICAL SUBTRADE. ENSURE ALL
WIRING/DRIVERS ARE CONCEALED
FROM CUSTOMER'S VIEW.



8
F277
DETAIL
6" = 1'-0"

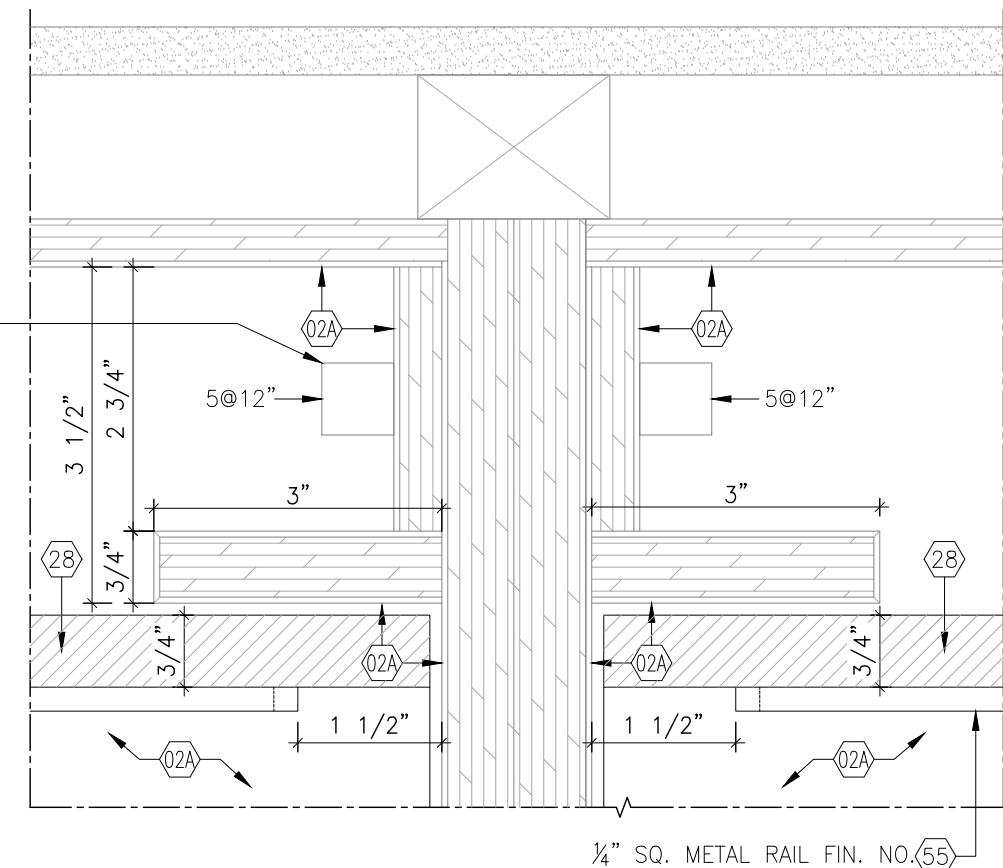
NOTE:
SOLID WOOD GRADE
TO BE FAS

ADJUSTABLE SHELF W/ HARDWOOD
TICKET MOULDING FIN. NO. (28) &
P. LAM. FIN. NO. (02A)

L.E.D. STRIPLIGHTS, SEE SPEC.
THIS PAGE

1 3/4" THK. LOCKABLE WOOD
FRAMED DOOR FIN. NO. (28) W/
3/8" (10mm) THK. CLEAR
TEMPERED GLASS INSERT W/
RICHELIEU HANDLE #458160195,
SEE PAGE 1 OF 4 FOR
ADDITIONAL HARDWARE SPECS.

HARDWOOD EDGE FIN. NO. (28)



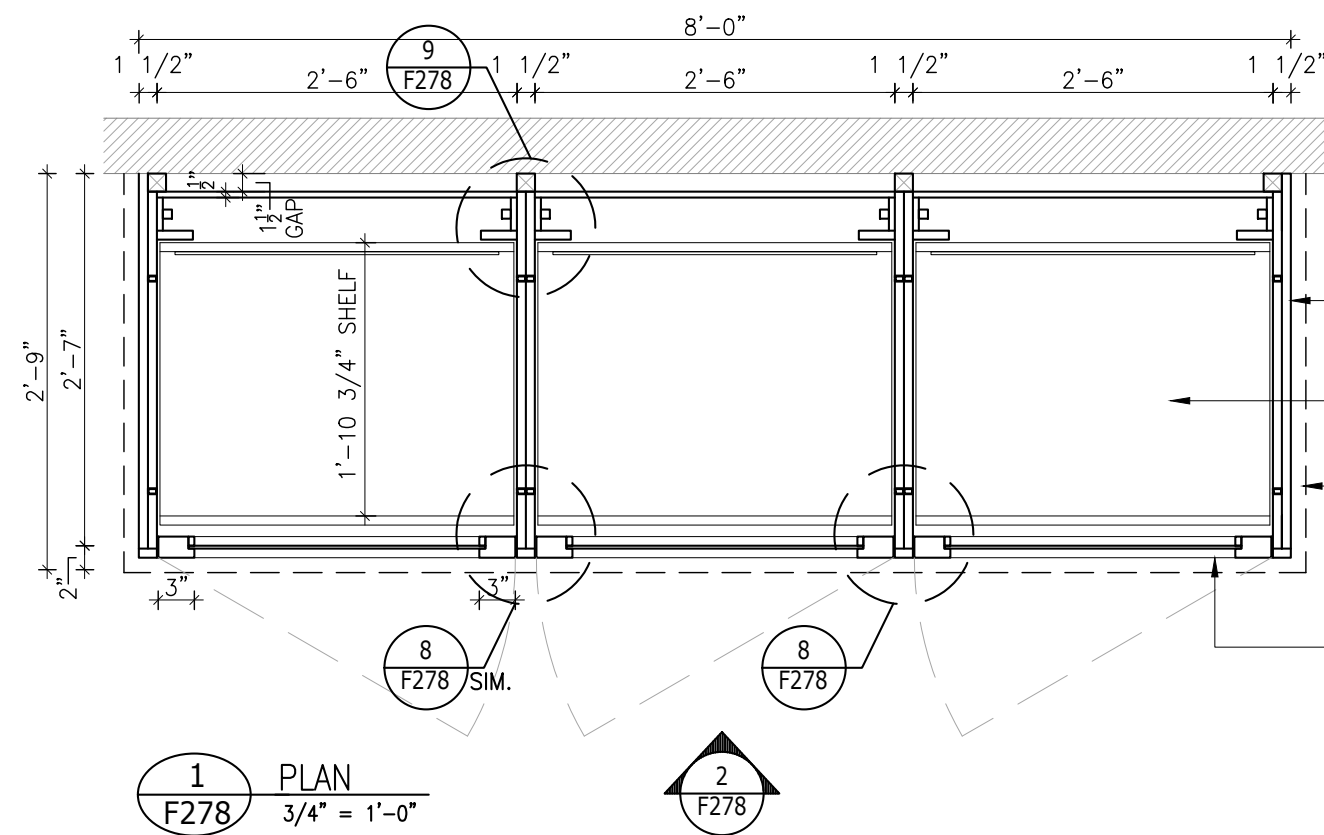
9
F277
DETAIL
6" = 1'-0"

LCBO

200 GENERAL LIST

2-MODULE GENERAL LIST PERIMETER LOCKABLE DISPLAY (7'-10" H.)

REVISION DATE	REV.	4 of 4	ISSUE DATE	STORE TYPE	STORE #
2021 MAR	17	F277	2021 APR		



1 PLAN
F278 3/4" = 1'-0"

2
F278

NOTE:
SOLID WOOD GRADE TO BE FAS

NOTE:
LOCKS FOR F204, F205, F255, F256, F268, F269, F270, F276, F277, F278, F305, F307, F331, F333, F358, F359, F360, F361, F407, F415 AND F416 TO BE KEYED ALIKE

P. LAM. FIN. NO. (05) TO SIDE (GRAIN DIRECTION TO RUN VERTICALLY)

ADJ. P. LAM. SHELVES FIN. NO. (02A) W/ WOOD TICKET MOULDING FIN. NO. (28)

DOTTED LINES OF 3/4" THK. PARTICLE BOARD SIGN BAND FIN. NO. (05) W/ HARDWOOD EDGES FIN. NO. (28) & CONCEALED FLUORESCENT LIGHTING, SEE DETAIL 4/F278

1 3/4" THK. LOCKABLE WOOD FRAMED DOOR FIN. NO. (28) W/ 3/8" (10mm) THK. CLEAR TEMPERED GLASS INSERT W/ RICHELIEU HANDLE #458160195, SEE THIS PAGE FOR ADDITIONAL HARDWARE SPECS.

NOTE:
ALL WOOD TICKET MOULDINGS TO ACCOMMODATE 1 3/4" PAPER TICKET

NOTE:
MILLWORK CONTRACTOR TO ENSURE THAT FIXTURE IS CONSTRUCTED SO THAT LIGHT FIXTURES CAN BE SERVICED AND/OR REMOVED WITHOUT DISMANTLING MILLWORK

GENERAL NOTES:
ALL VERTICAL SURFACES ON THE INTERIOR (GABLES, BACK PANELS, AND DIVIDERS) ARE TO BE CONSTRUCTED OF PREFINISHED PARTICLE BOARD PANELS W/ MELAMINE FIN. NO. (02A) BOTH SIDES. MILLWORK CONTRACTOR TO PROVIDE HARDWOOD EDGE IN FIN. NO. (28) TO ALL EXPOSED EDGES.

NOTE:
MILLWORK CONTRACTOR TO PROVIDE (1) COAT OF URETHANE SEALER AND (2) TOP COATS OF SATIN LACQUER TO FIN. NO. (28)

MILLWORK CONTRACTOR TO ENSURE THAT ALL SHELVES ARE IN EXACT ALIGNMENT WITH ADJACENT F252 & F253 UNITS.

HARDWARE SPECIFICATIONS:

ADAM RITE DEADLOCK #ARMS1850S410628
MORTISE CYLINDER #LSM1002SCC26D
1" C/W (2) KEYS CLEAR ANODIZED ALUMINUM FINISH
STRIKE FOR HOOK BOLT #ARMS4001031628
SPACER RING #IL861F2810 - 1/4" THK.
CLEAR ANODIZED ALUMINUM
NOTE: LOCK CYLINDER TO BE SUPPLIED & INSTALLED BY LCBO, FITUP BY G.C.

3" .060 GA 8FT LONG CONTINUOUS PIANO HINGE BY RICHELIEU
MODEL: #76096180 (BRUSHED NICKEL FINISH)

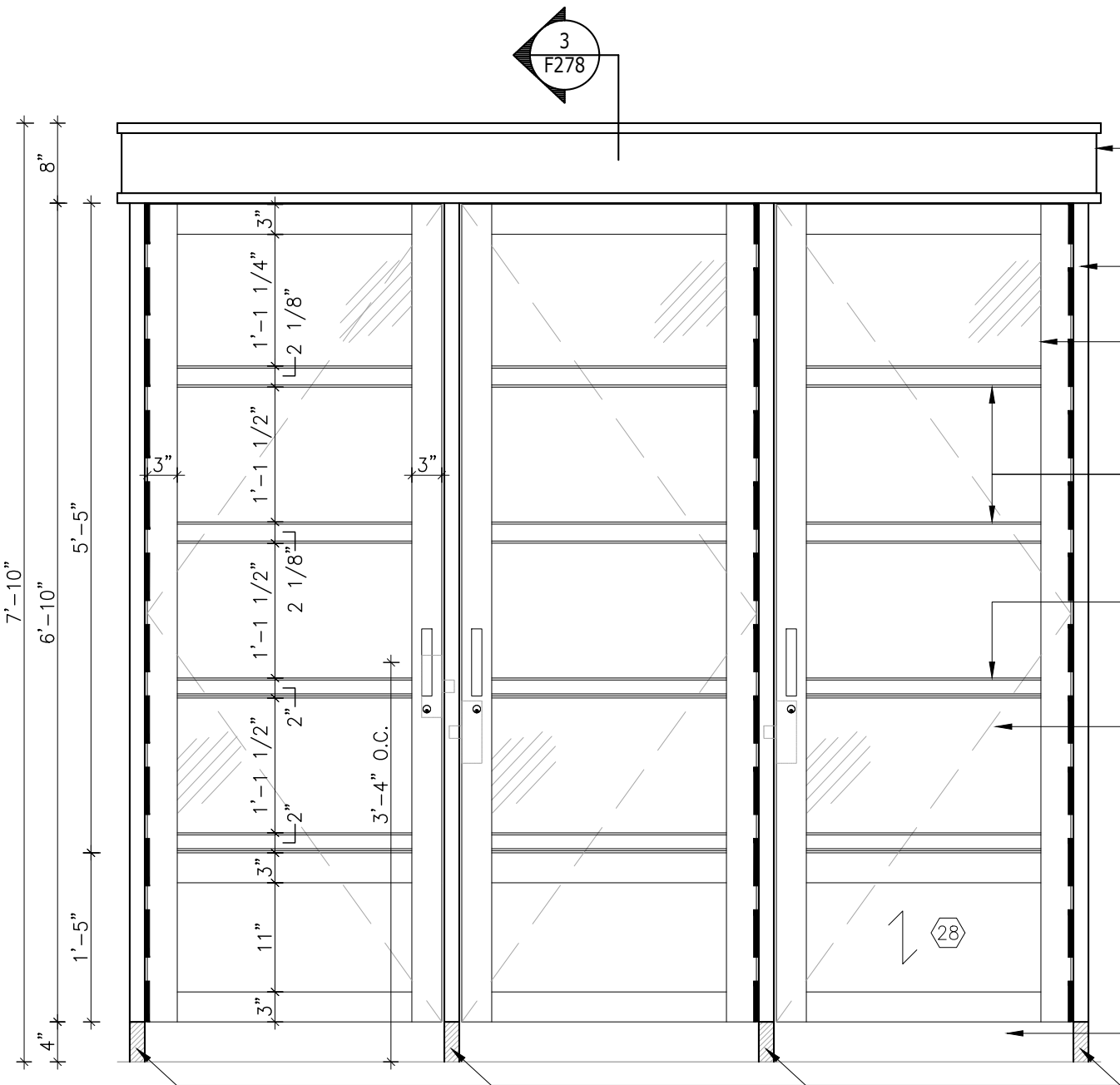
DOOR PULL BY RICHELIEU
MODEL: #458160195 (BRUSHED NICKEL FINISH)

HEAVY DUTY RECESSED SLOTTED STANDARDS W/ 5/8" SLOTS @ 1" O.C. (KEMBER #5000 SERIES) AND KEMBER #5037 STUB BRACKETS BOTH TO MATCH FIN. NO. (55)

LCBO	200 GENERAL LIST	REVISION DATE	REV.	1 of 4	ISSUE DATE	STORE TYPE	STORE #
	3-MODULE GENERAL LIST PERIMETER LOCKABLE DISPLAY (7'-10" H.)	2021 MAR	17	F278	2021 APR		

NOTE:
SOLID WOOD GRADE TO BE FAS

NOTE:
MILLWORK CONTRACTOR TO ENSURE THAT FIXTURE IS CONSTRUCTED SO THAT LIGHT FIXTURES CAN BE SERVICED AND/OR REMOVED WITHOUT DISMANTLING MILLWORK

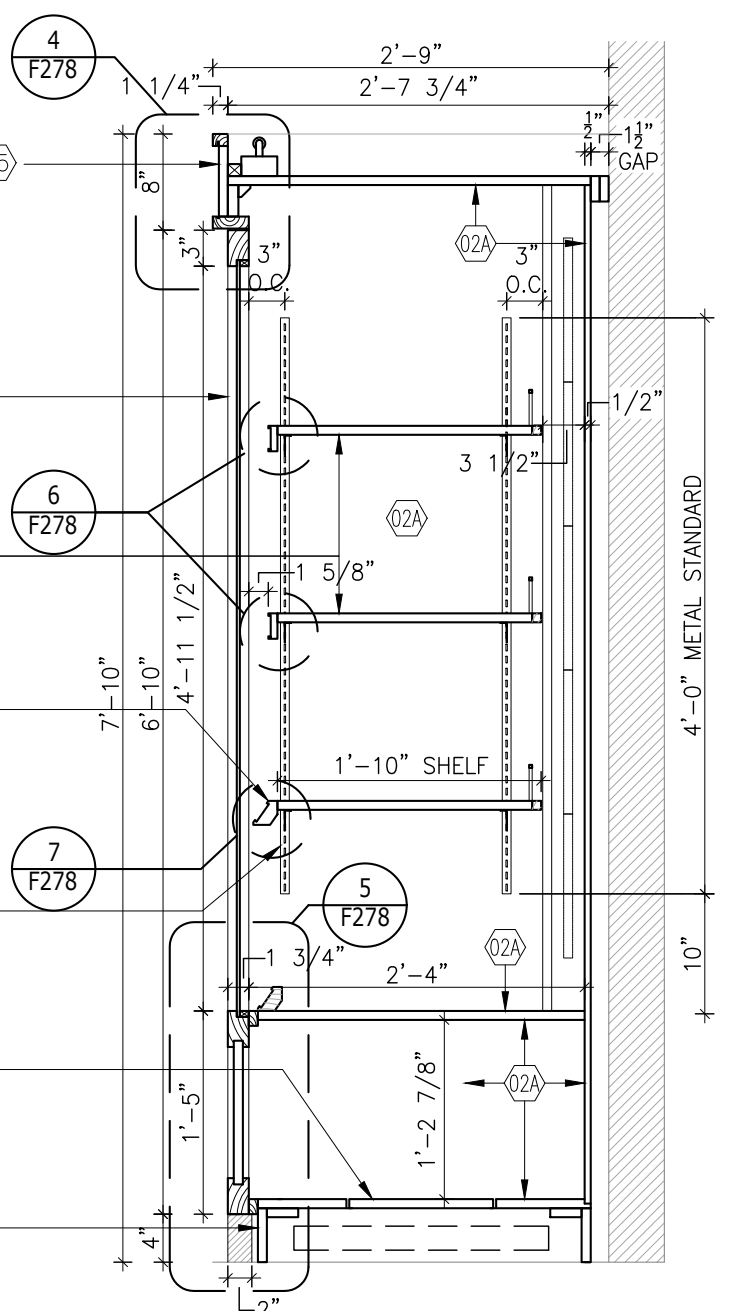


2 ELEVATION
F278 3/4" = 1'-0"

- 3/4" THK. PARTICLE BOARD SIGN BAND FIN. NO. (05) W/ HARDWOOD EDGES FIN. NO. (28) & CONCEALED FLUORESCENT LIGHTING, SEE DETAIL 4/F278
- FIN. NO. (28)
- 1 3/4" THK. LOCKABLE WOOD FRAMED DOOR FIN. NO. (28) W/ 3/8" (10mm) THK. CLEAR TEMPERED GLASS INSERT W/ RICHELIEU HANDLE #458160195, SEE PAGE 1 OF 4 FOR ADDITIONAL HARDWARE SPECS.
- ADJ. P. LAM. SHELVES FIN. NO. (02A) W/ STRAIGHT WOOD TICKET MOULDING FIN. NO. (28) W/ METAL BACK RAIL FIN. NO. (55)
- ADJ. P. LAM. SHELF FIN. NO. (02A) W/ ANGLED TICKET WOOD MOULDING FIN. NO. (28)
- MELAMINE FIN. NO. (02A) TO BACK PANEL BEYOND
- PROVIDE HEAVY DUTY RECESSED SLOTTED STANDARDS W/ 5/8" SLOTS @ 1" O.C. (KEMBER #5000 SERIES) AND KEMBER #5037 STUB BRACKETS BOTH TO MATCH FIN. NO. (55)
- PROVIDE REMOVABLE PANEL IN BASE C/W FINGER PULL FOR REMOTE DRIVERS & JUNCTION BOXES
- RECESSED BASE P. LAM. FIN. NO. (04)
- 4" H. x 1 1/2" x 2" METAL CORNER GUARD FIN. NO. (55)

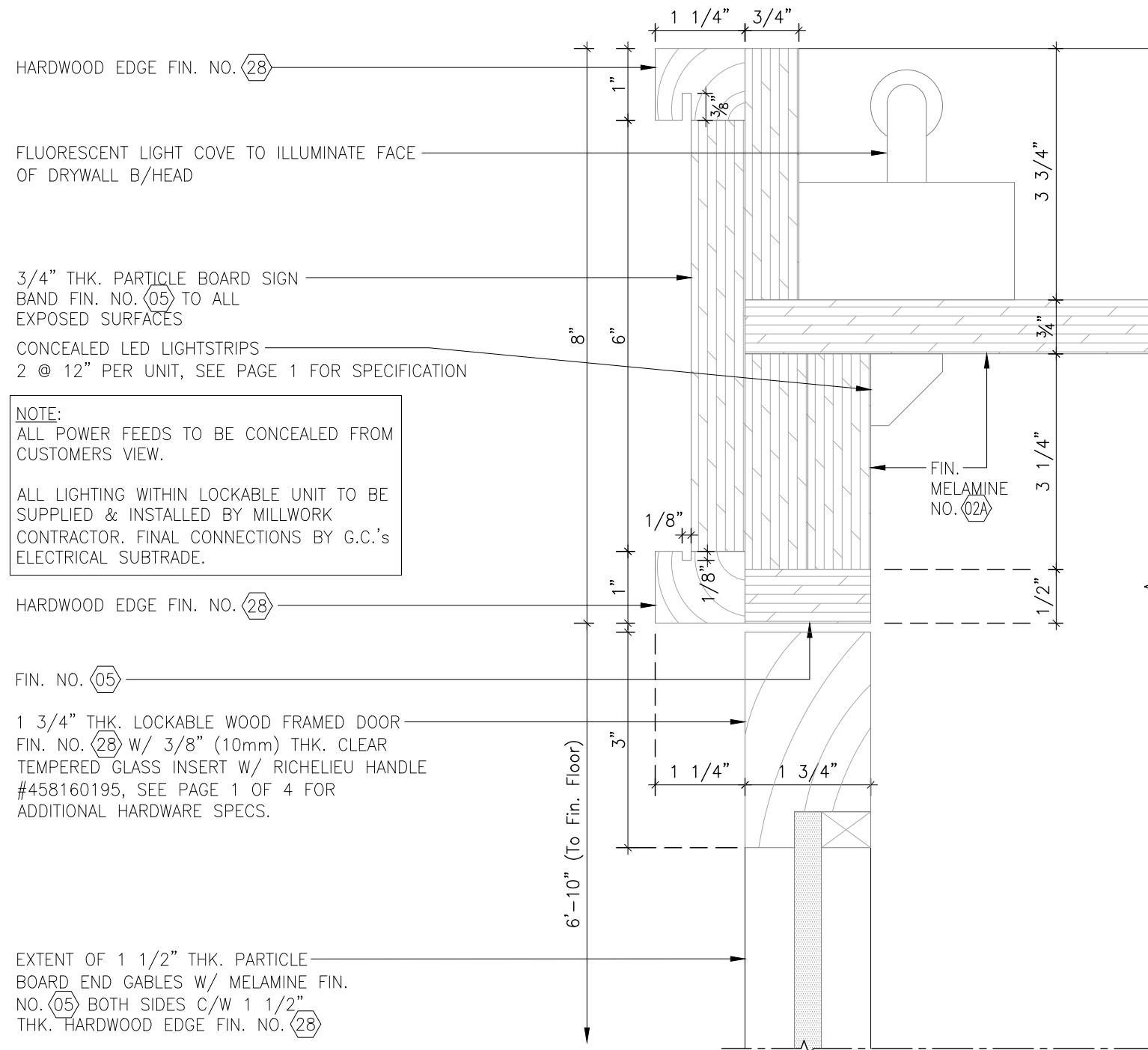
NOTE:
ALL WOOD TICKET MOULDINGS TO ACCOMMODATE 1 3/4" PAPER TICKET

NOTE:
EACH DOOR TO HAVE INDIVIDUAL LOCKING MECHANISM



3 SECTION
F278 3/4" = 1'-0"

LCBO	200 GENERAL LIST	REVISION DATE	REV.	2 of 4	ISSUE DATE	STORE TYPE	STORE #
	3-MODULE GENERAL LIST PERIMETER LOCKABLE DISPLAY (7'-10" H.)	2021 MAR	17	F278	2021 APR		



4 SECTION-DETAIL
F278 6" = 1'-0"

NOTE:
ALL WOOD TICKET MOULDINGS
TO ACCOMMODATE 1 3/4"
PAPER TICKET

MELAMINE FIN. NO. (02A)
TO GABLE BEYOND

FIXED HARDWOOD TICKET
MOULDING (ANGLED) FIN. NO. (28)

1 3/4" THK. LOCKABLE
WOOD FRAMED DOOR FIN. NO. (28)
(ALL SIDES) W/ 3/8"
(10mm) THK. CLEAR
TEMPERED GLASS INSERT W/
RICHELIEU HANDLE
#458160195, SEE PAGE
1 OF 4 FOR ADDITIONAL
HARDWARE SPECS.

NOTE:
SOLID WOOD GRADE
TO BE FAS

MAPLE VENEER TO MATCH
FIN. NO. (28)

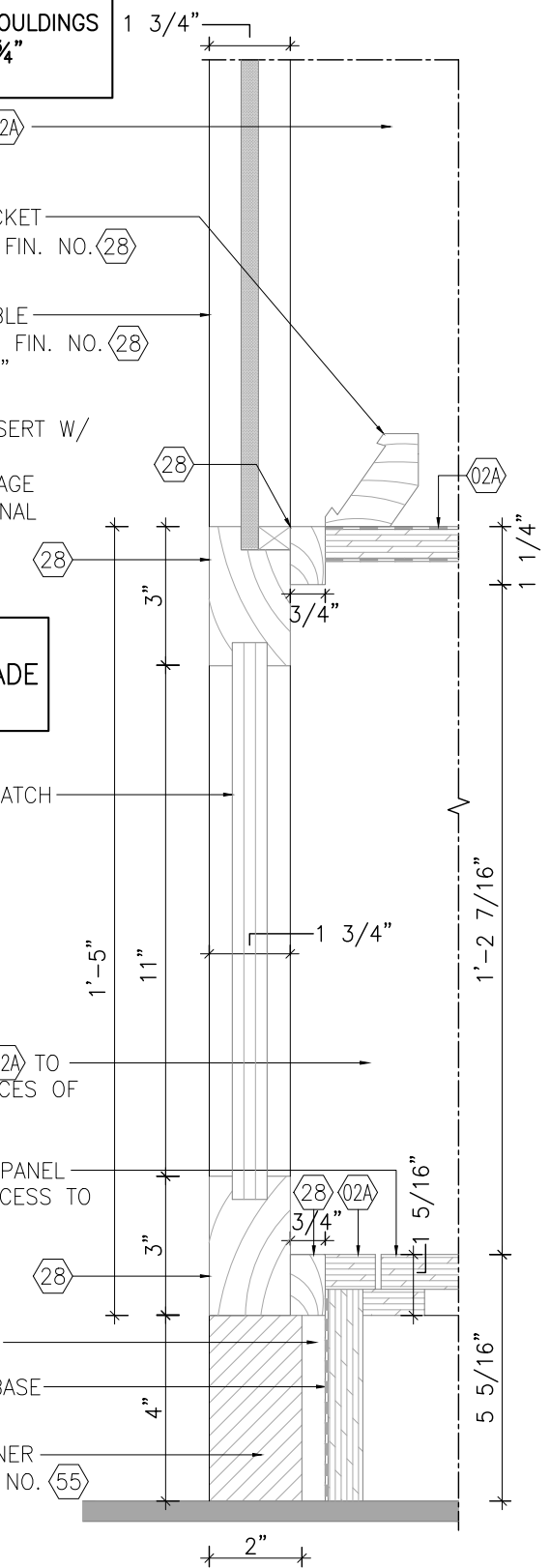
MELAMINE FIN. NO. (02A) TO
ALL INTERIOR SURFACES OF
LOCKABLE CABINET

REMOVABLE ACCESS PANEL
FIN. NO. (02A) FOR ACCESS TO
REMOTE BALLASTS

P. LAM. FIN. NO. (05)

RECESSED P. LAM. BASE
FIN. NO. (04)

4" HIGH METAL CORNER
GUARD BEYOND FIN. NO. (55)

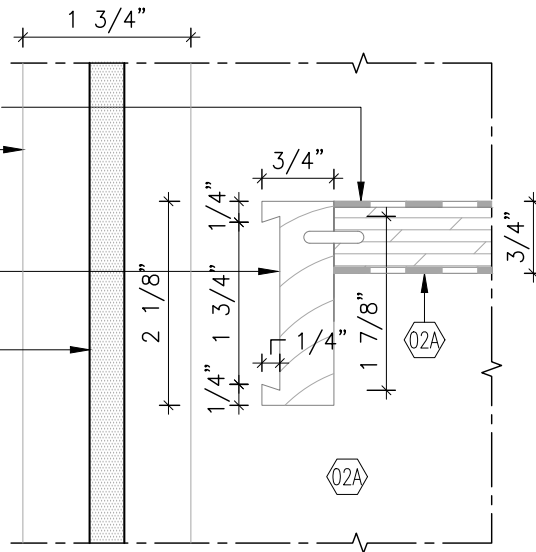


5 DETAIL
F278 3" = 1'-0"

LCBO	200 GENERAL LIST	REVISION DATE	REV.	3 of 4	ISSUE DATE	STORE TYPE	STORE #
	3-MODULE GENERAL LIST PERIMETER LOCKABLE DISPLAY (7'-10" H.)	2021 MAR	17	F278	2021 APR		

NOTE:
ALL WOOD TICKET MOULDINGS TO
ACCOMMODATE 1 3/4" PAPER TICKET

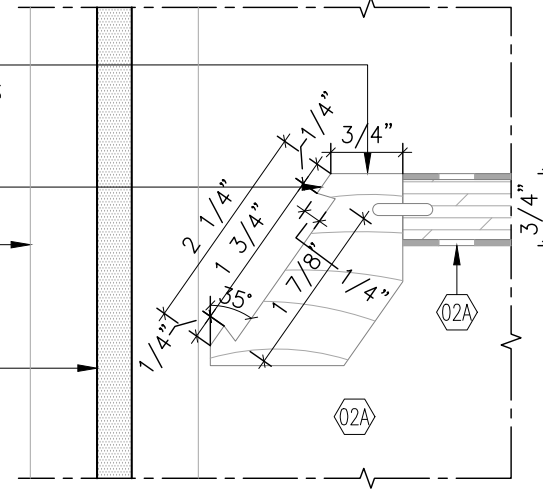
3/4" THK. PARTICLE BRD. SHELF W/
MELAMINE FIN. NO. (02A) TO BOTH SIDES
EXTENT OF PARTICLE BOARD
GABLE BEYOND
FIN. NO. (05) WITH 1" THICK
HARDWOOD TRIM FIN. NO. (28)
HARDWOOD TICKET MOULDING
(STRAIGHT) FIN. NO. (28)
1 3/4" THK. LOCKABLE WOOD
FRAMED DOOR FIN. NO. (28) W/
3/8" (10mm) THK. CLEAR
TEMPERED GLASS INSERT W/
RICHELIEU HANDLE #458160195,
SEE PAGE 1 OF 4 FOR
ADDITIONAL HARDWARE SPECS.



6
F278
6" = 1'-0"

NOTE:
ALL WOOD TICKET MOULDINGS TO
ACCOMMODATE 1 3/4" PAPER TICKET

3/4" THK. PARTICLE BRD. SHELF W/
MELAMINE FIN. NO. (02A) TO BOTH SIDES
HARDWOOD TICKET MOULDING
(ANGLED) FIN. NO. (28)
EXTENT OF PARTICLE BOARD
GABLE BEYOND FIN. NO. (05) W/
1" THICK HARDWOOD TRIM FIN. NO. (28)
1 3/4" THK. LOCKABLE WOOD
FRAMED DOOR FIN. NO. (28) W/
3/8" (10mm) THK. CLEAR
TEMPERED GLASS INSERT W/
RICHELIEU HANDLE #458160195,
SEE PAGE 1 OF 4 FOR
ADDITIONAL HARDWARE SPECS.

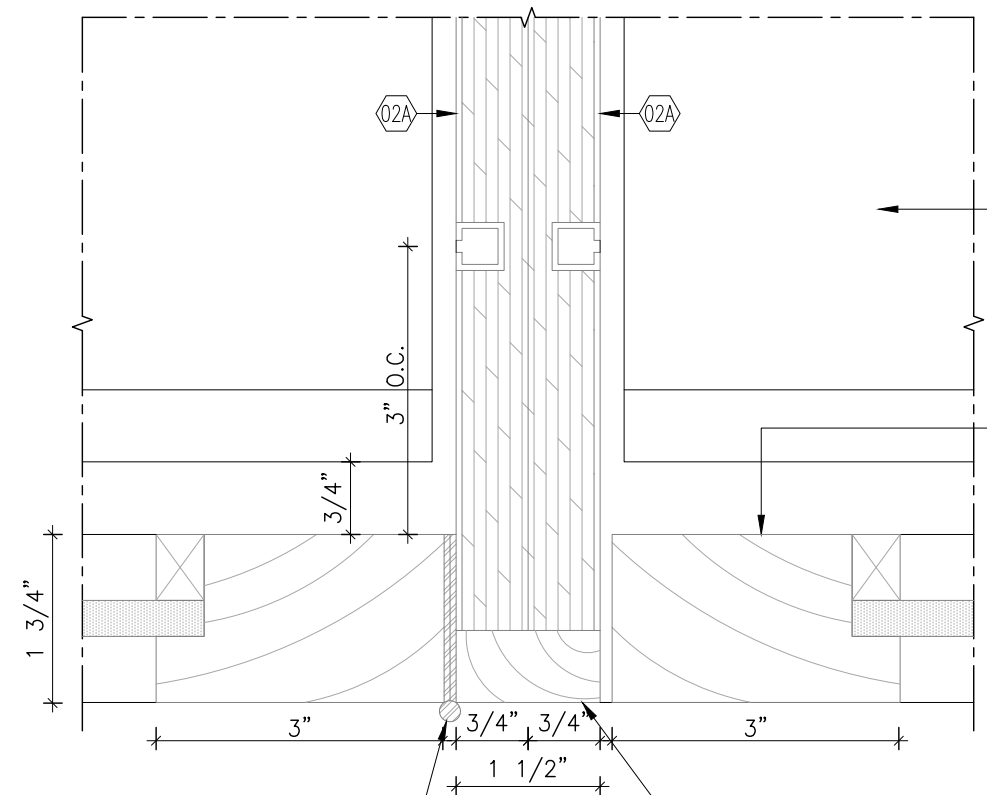


7
F278
6" = 1'-0"

L.E.D. LIGHTSTRIPS:
PROVIDE 36 @ 12" LENGTH AS
INDICATED WITHIN MILLWORK.

LED LIGHTSTRIPS BY TECHNILITE:
MODEL#: L3-32-GI-SEB
LENGTH=12"
OUTPUT=2.4 WATTS / 97 LUMENS PER FT.
COLOUR TEMP. 3200°K
DURATION: 50,000 HRS

*ALL L.E.D. LIGHTING AND ASSOCIATED
COMPONENTS TO BE SUPPLIED &
INSTALLED BY MILLWORK CONTRACTOR,
FINAL CONNECTION BY G.C.'S
ELECTRICAL SUBTRADE. ENSURE ALL
WIRING/DRIVERS ARE CONCEALED
FROM CUSTOMER'S VIEW.

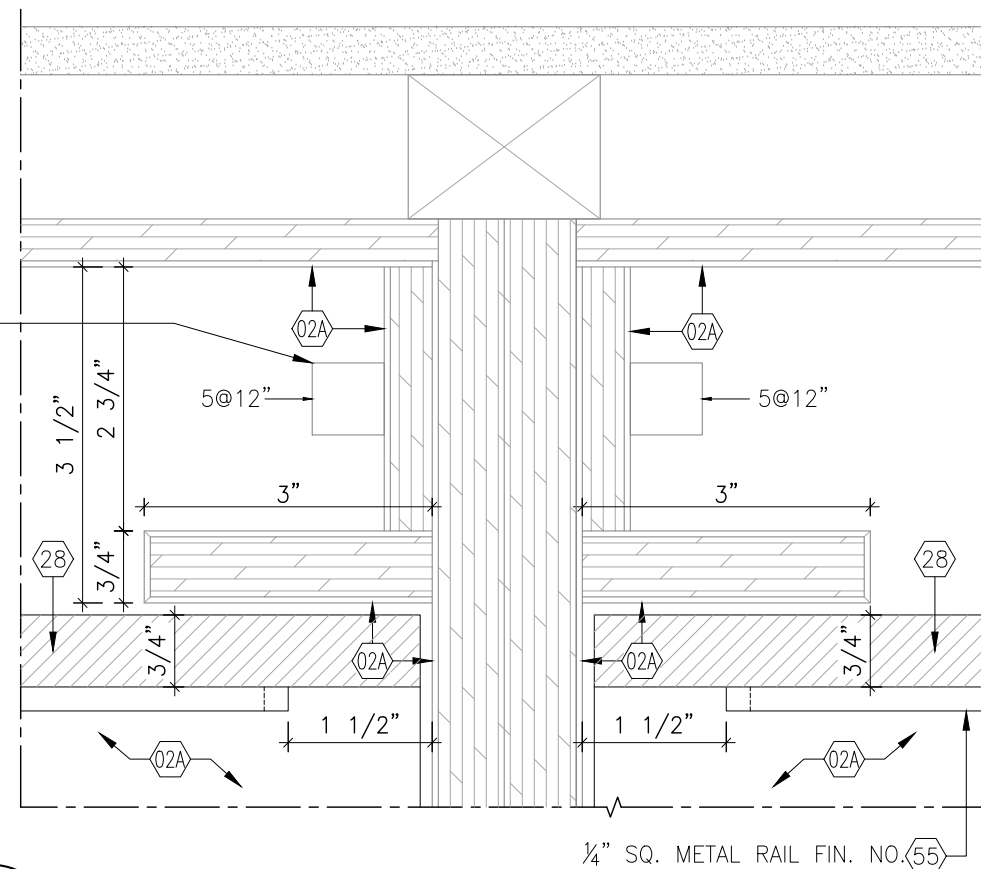


PIANO HINGE, REFER TO PAGE 1 OF 4
FOR HARDWARE SPECIFICATIONS

8
F278
6" = 1'-0"

NOTE:
SOLID WOOD GRADE
TO BE FAS

ADJUSTABLE SHELF W/ HARDWOOD
TICKET MOULDING FIN. NO. (28) &
P. LAM. FIN. NO. (02A)
L.E.D. STRIPLIGHTS, SEE SPEC.
THIS PAGE
1 3/4" THK. LOCKABLE WOOD
FRAMED DOOR FIN. NO. (28) W/
3/8" (10mm) THK. CLEAR
TEMPERED GLASS INSERT W/
RICHELIEU HANDLE #458160195,
SEE PAGE 1 OF 4 FOR
ADDITIONAL HARDWARE SPECS.



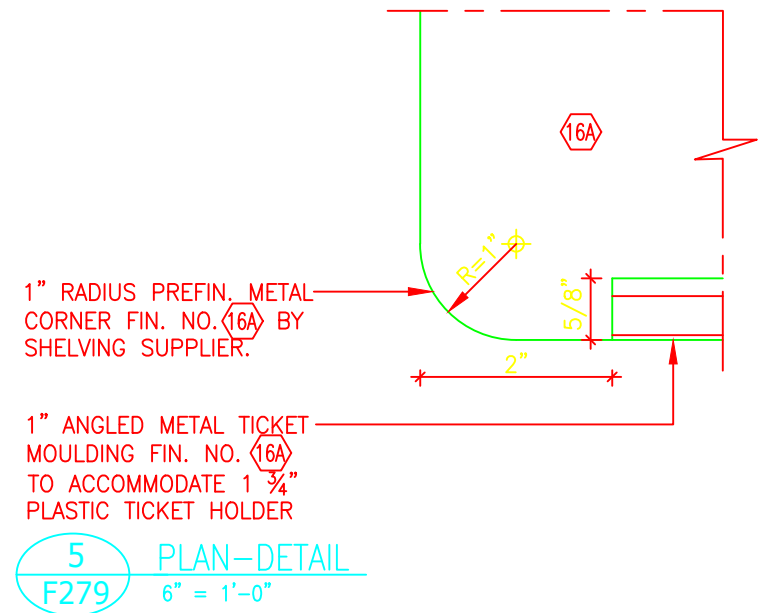
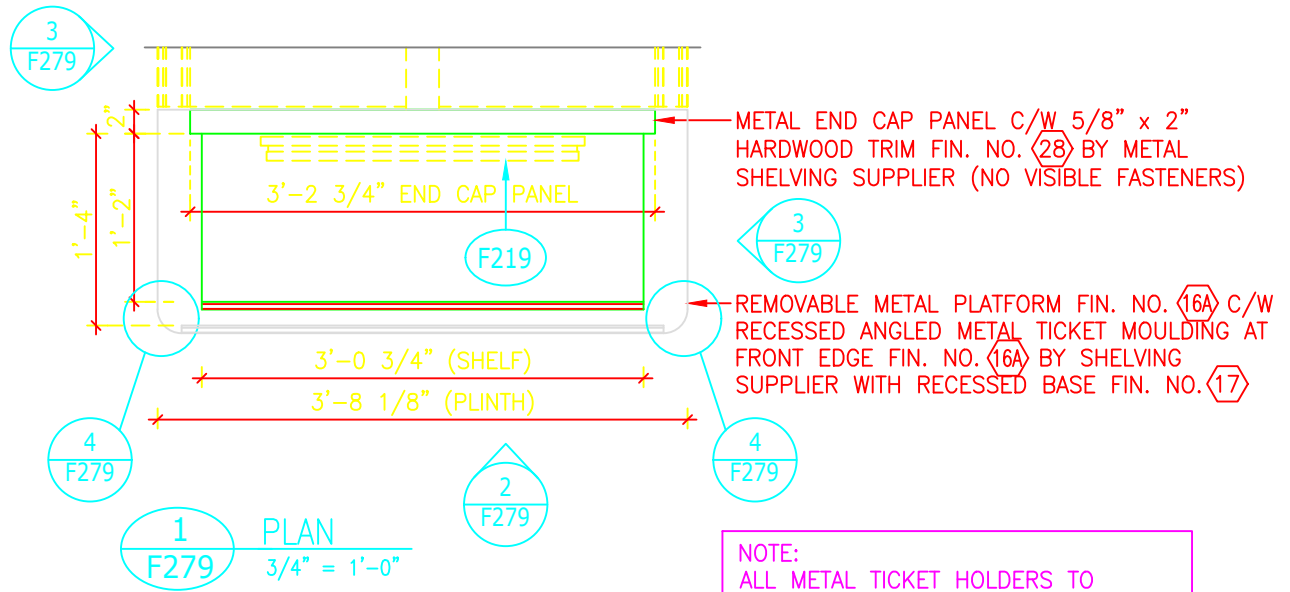
9
F278
6" = 1'-0"

LCBO

200 GENERAL LIST

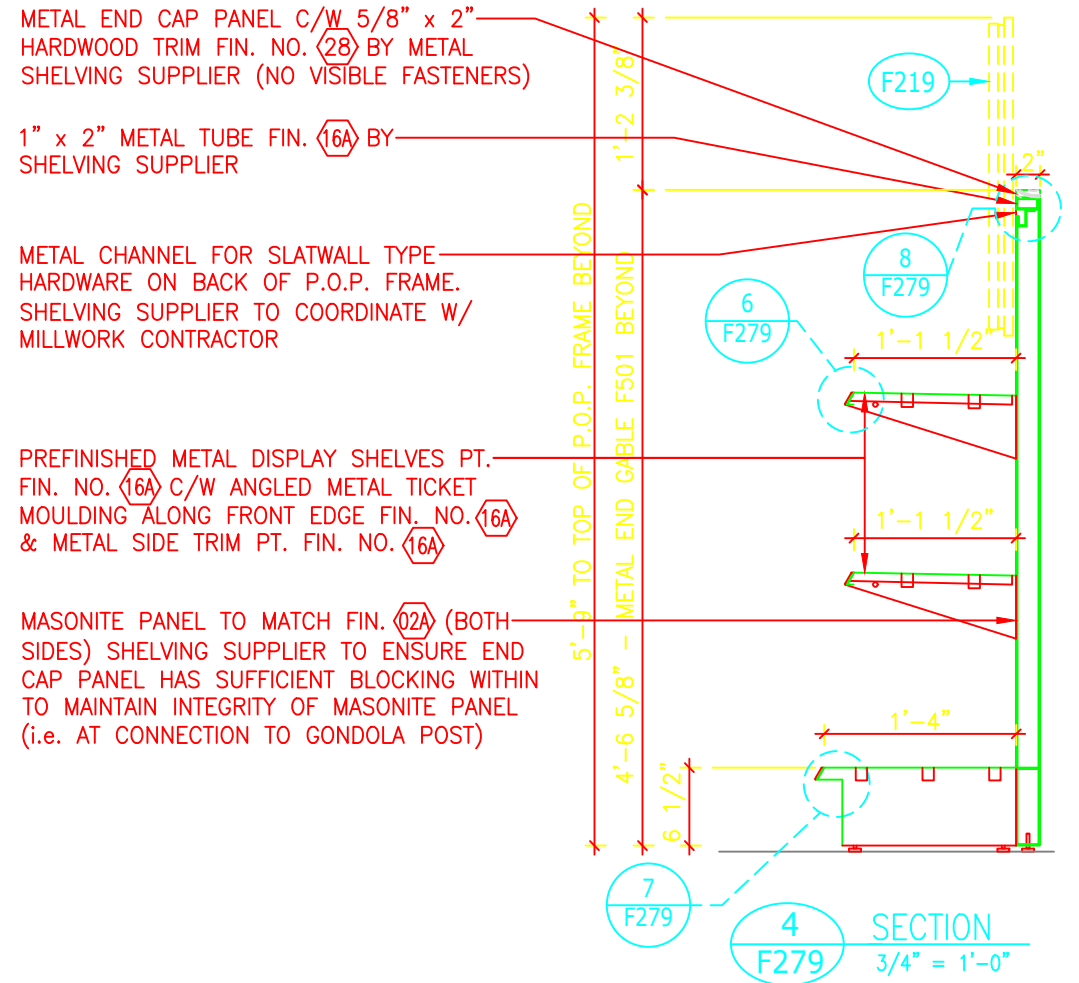
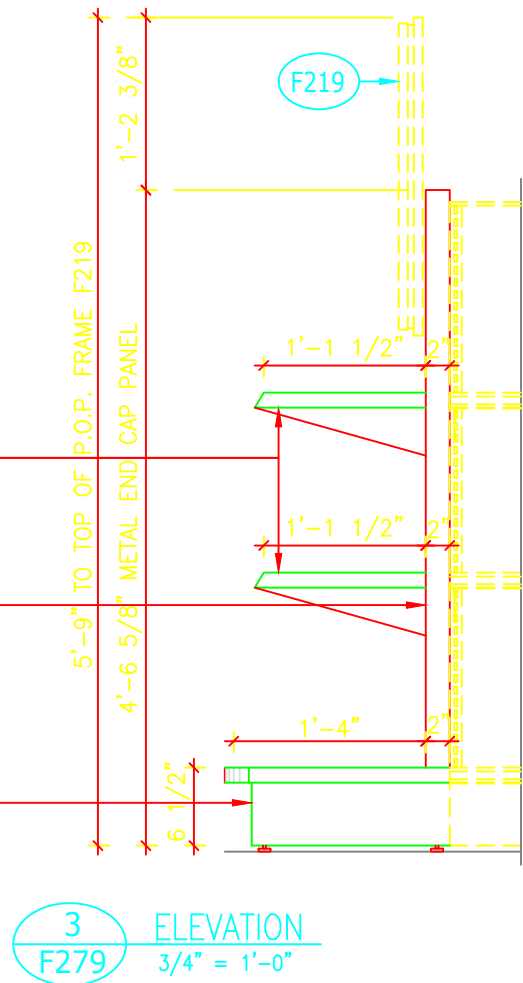
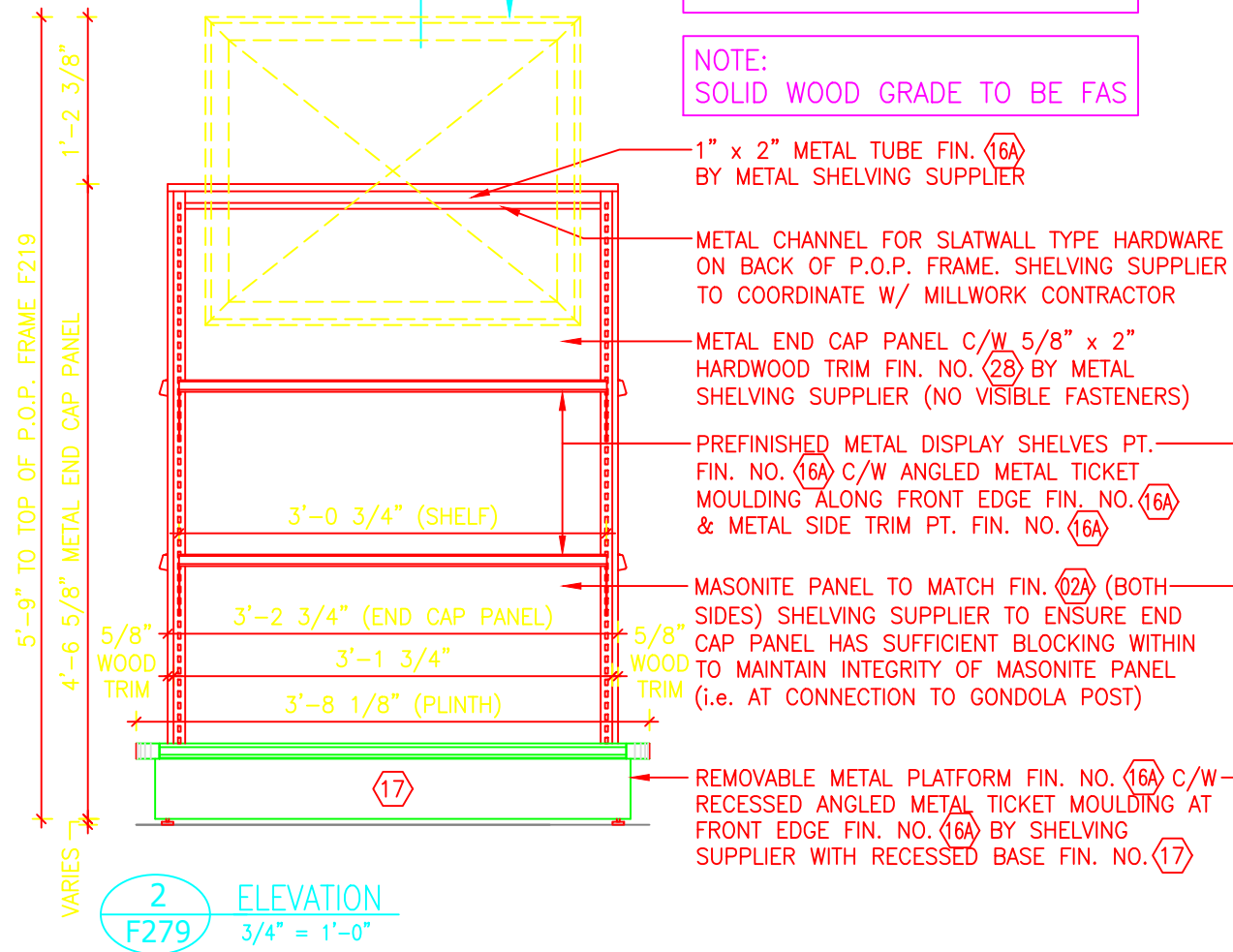
3-MODULE GENERAL LIST PERIMETER LOCKABLE DISPLAY (7'-10" H.)

REVISION DATE	REV.	4 of 4	ISSUE DATE	STORE TYPE	STORE #
2021 MAR	17	F278	2021 APR		



NOTE:
ALL METAL TICKET HOLDERS TO RECEIVE 1 3/4" PLASTIC TICKET HOLDER INSERT (TO BE SUPPLIED & INSTALLED BY METAL SHELVING SUPPLIER) TO SPAN LENGTH OF SHELF SECTION

NOTE:
SOLID WOOD GRADE TO BE FAS



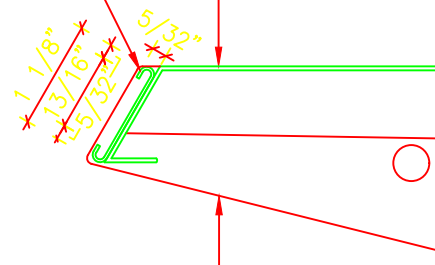
LCBO	200 GENERAL LIST	REVISION DATE	REV.	1 of 2	ISSUE DATE	STORE TYPE	STORE #
	METAL GONDOLA END (NARROW) - GENERAL LIST	2021 MAR.	17	F279	2021 APR		

HEAVY DUTY METAL SHELVING C/W ANGLED METAL TICKET HOLDERS ON H.D. METAL BRACKETS ALL IN FIN. NO. (16A)

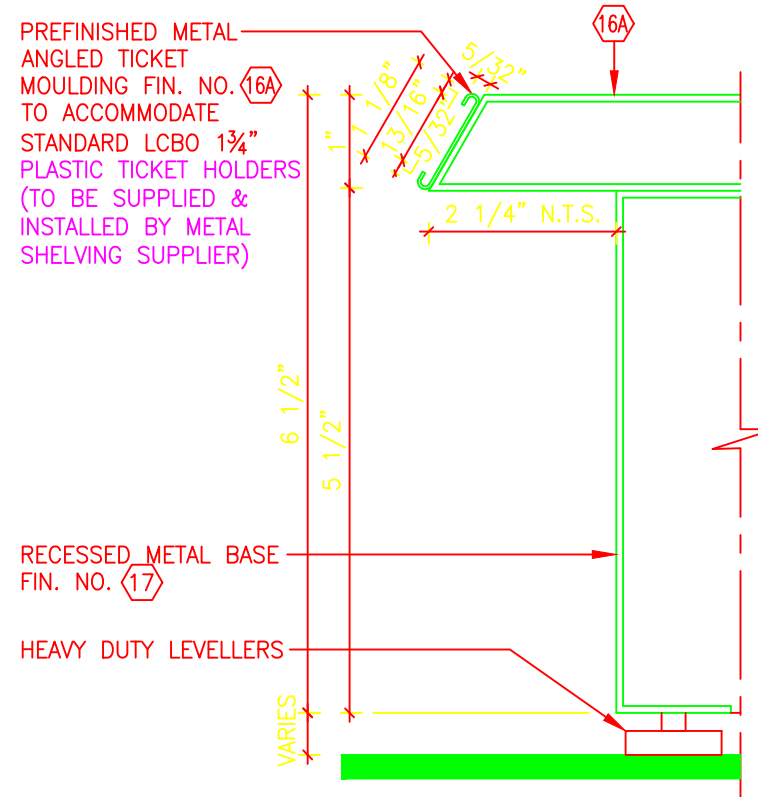
ANGLED METAL TICKET HOLDERS (20 GAUGE) FIN. NO. (16A) TO ACCOMMODATE STANDARD LCBO 1 3/4" PLASTIC TICKETS HOLDER (TO BE SUPPLIED & INSTALLED BY METAL SHELVING SUPPLIER)

NOTE:
NO VISIBLE HOLES IN FRONT OF TICKET HOLDER

METAL SHELF & BRACKET FIN. NO. (16A) BY METAL SHELVING SUPPLIER



6
F279
DETAIL
6" = 1'-0"



7
F279
DETAIL
6" = 1'-0"

NOTE:
SOLID WOOD GRADE TO BE FAS

1" METAL TUBE C/W METAL CHANNEL DETAIL FIN. NO. (16A) SHELVING SUPPLIER TO SUPPLY SHOP DWGS. FOR APPROVAL PRIOR TO FABRICATION

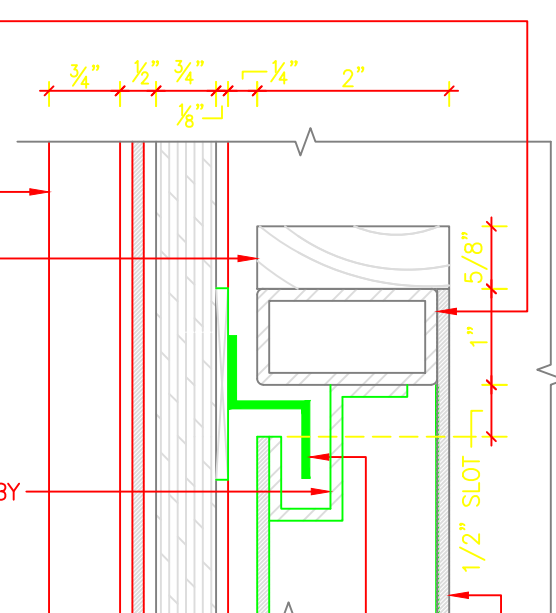
F219

SOLID WOOD TRIM OF END CAP PANEL FIN. (28) BY SHELVING SUPPLIER. METAL SHELVING SUPPLIER TO COORDINATE WOOD TRIM FINISH AND COLOUR TO MATCH MILLWORKER'S WOOD TRIM

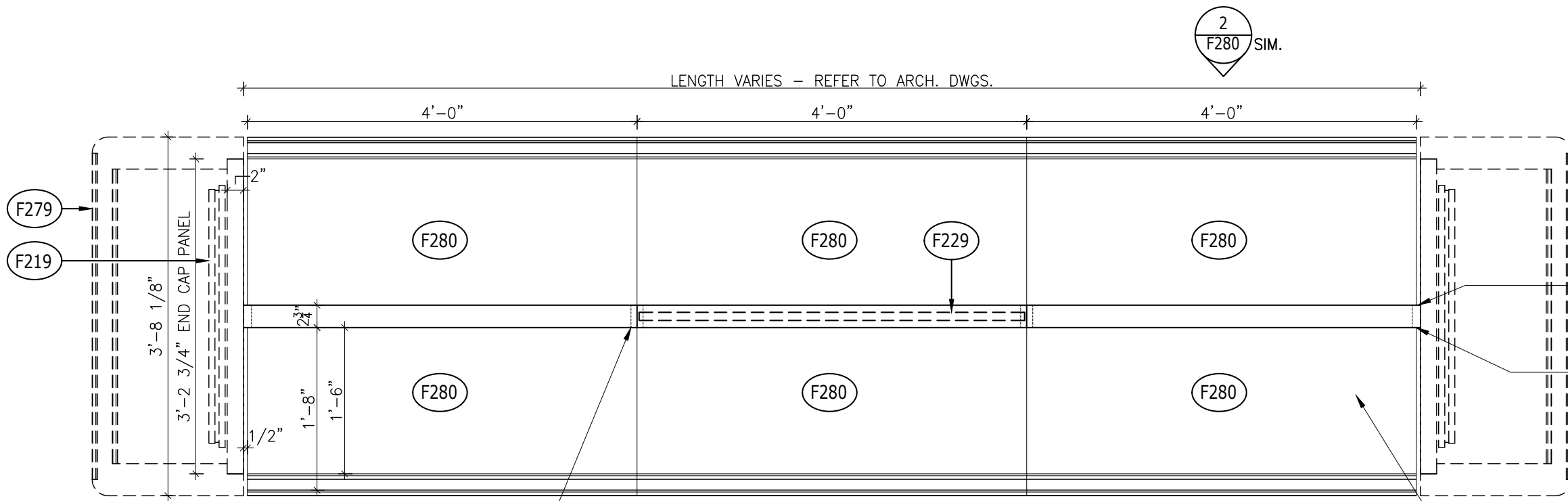
RE-INFORCED METAL CHANNEL BY SHELVING SUPPLIER TO ACCOMMODATE SLATWALL-TYPE HARDWARE AS SHOWN ABOVE

SLATWALL TYPE HARDWARE SCREW FIXED TO BACK OF F279

MASONITE BACK PANEL OF END CAP PANEL BY SHELVING SUPPLIER W/ TO MATCH FIN. NO. (16A)



8
F279
DETAIL
6" = 1'-0"



1
F280
PLAN
3/4" = 1'-0"

2 3/4" x 1 1/2" x 53 5/8"
HIGH HEAVY DUTY SLOTTED
METAL POST (SLOTS AT 1"
O.C. TYP.) FIN. NO. 16A

NOTE:
ALL METAL TICKET HOLDERS TO
RECEIVE 1 3/4" PLASTIC TICKET
HOLDER INSERT TO SPAN LENGTH
OF SHELF SECTION - TO BE
SUPPLIED & INSTALLED BY
METAL SHELVING SUPPLIER

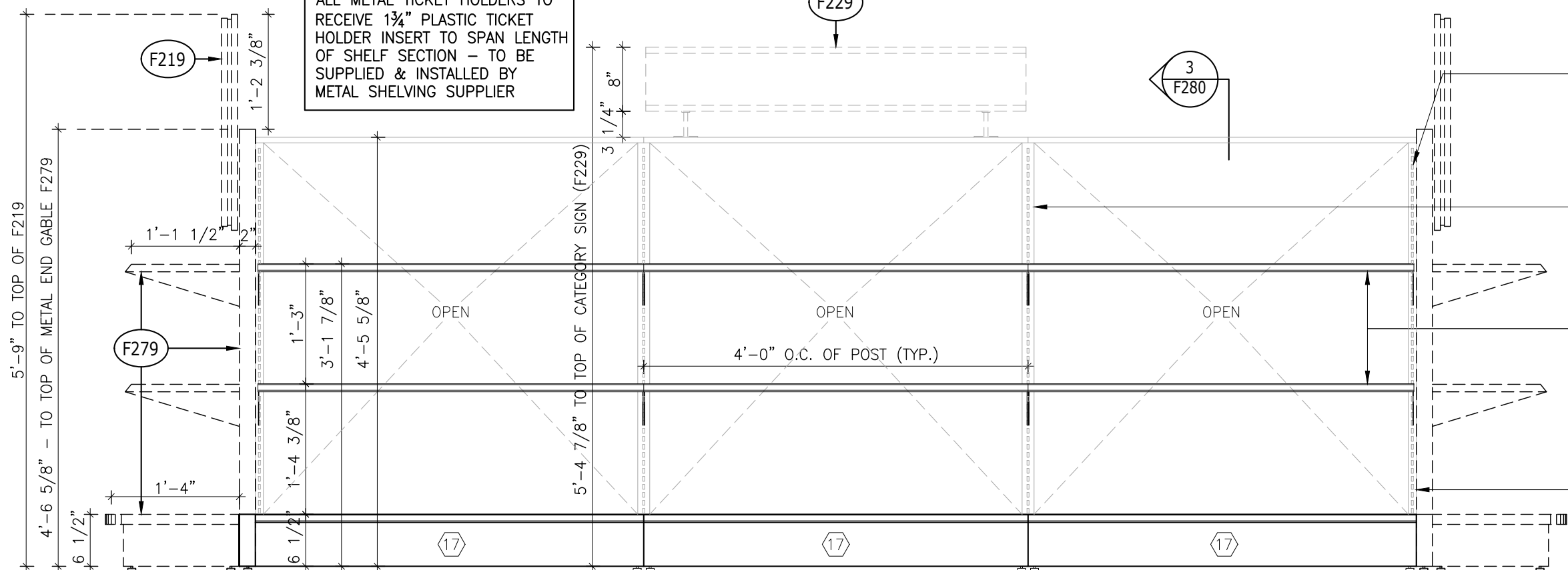
2
F280 SIM.

2
F280

2 3/4" x 1" x 53 5/8" HIGH
HEAVY DUTY SLOTTED METAL END
POST (SLOTS AT 1" O.C. TYP.)
FIN. NO. 16A

ALL END POSTS TO BE
MODIFIED AS REQUIRED
TO ENSURE THAT
THERE ARE NO GAPS
BETWEEN METAL
SHELVES AND END
GABLES (FILLER STRIPS
ARE NOT ACCEPTABLE)

HEAVY DUTY METAL SHELVING C/W
ANGLED METAL TICKET HOLDERS TO
ACCOMMODATE STANDARD LCBO 1 3/4"
PLASTIC TICKET HOLDERS AT ALL
SHELVES (SEE DETAIL 4, F280) ON H.D.
METAL BRACKETS ALL IN FIN. 16A



2
F280
ELEVATION
3/4" = 1'-0"

3
F280

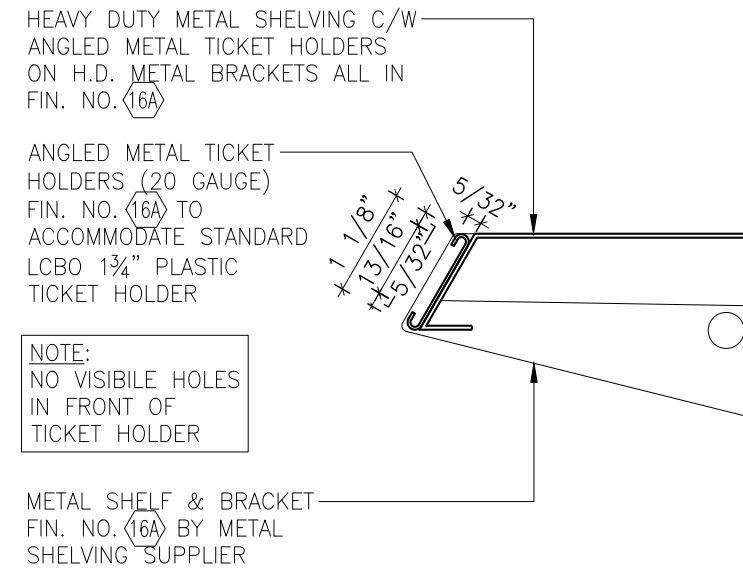
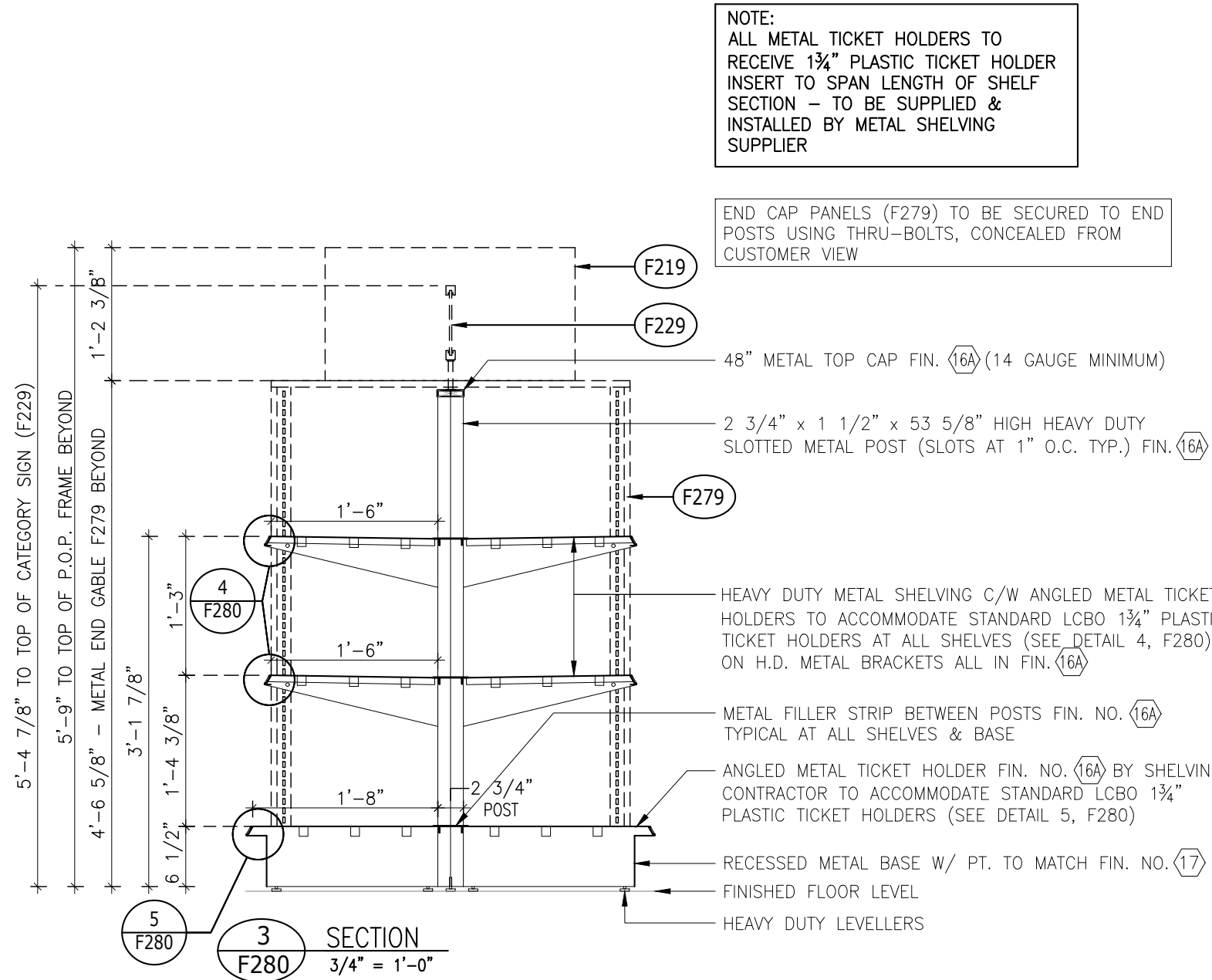
2 3/4" x 1" x 53 5/8"
HIGH HEAVY DUTY
SLOTTED METAL END
POST (SLOTS AT 1" O.C.
TYP.) FIN. NO. 16A

2 3/4" x 1 1/2" x
53 5/8" HIGH HEAVY
DUTY SLOTTED METAL
POST (SLOTS AT 1"
O.C. TYP.) FIN. NO. 16A

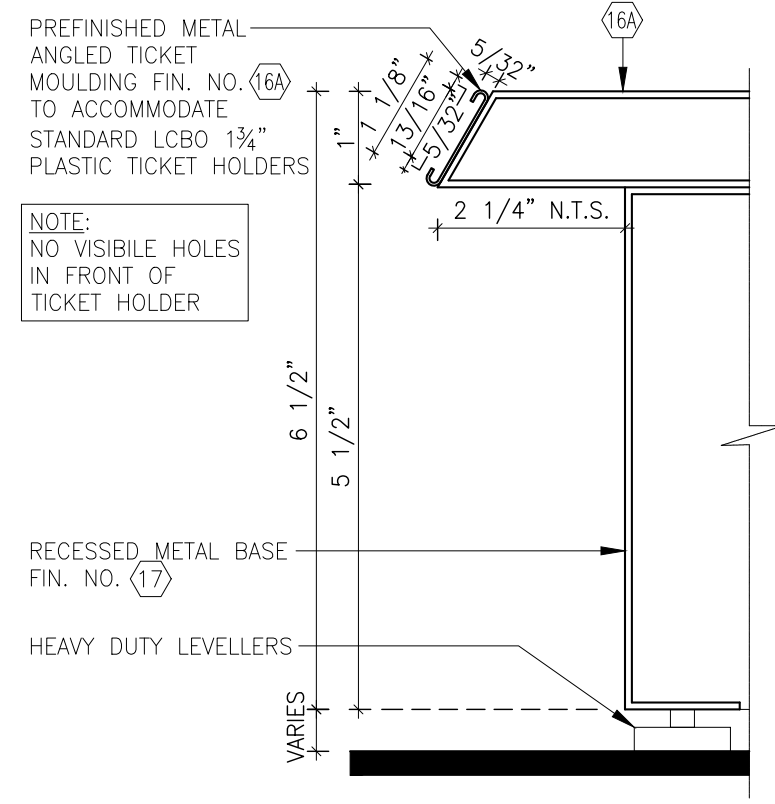
HEAVY DUTY METAL SHELVING C/W
ANGLED METAL TICKET HOLDERS TO
ACCOMMODATE STANDARD LCBO 1 3/4"
PLASTIC TICKET HOLDERS AT ALL
SHELVES (SEE DETAIL 4, F280) ON H.D.
METAL BRACKETS ALL IN FIN. 16A

ALL END POSTS TO BE MODIFIED AS
REQUIRED TO ENSURE THAT THERE
ARE NO GAPS BETWEEN METAL
SHELVES AND END GABLES (FILLER
STRIPS ARE NOT ACCEPTABLE)

LCBO	200 GENERAL LIST	REVISION DATE	REV.	1 of 2	ISSUE DATE	STORE TYPE	STORE #
	3-HIGH 4'-0" METAL FLOOR GONDOLA (NARROW) - GENERAL LIST	2021 MAR.	17	F280	2021 APR		

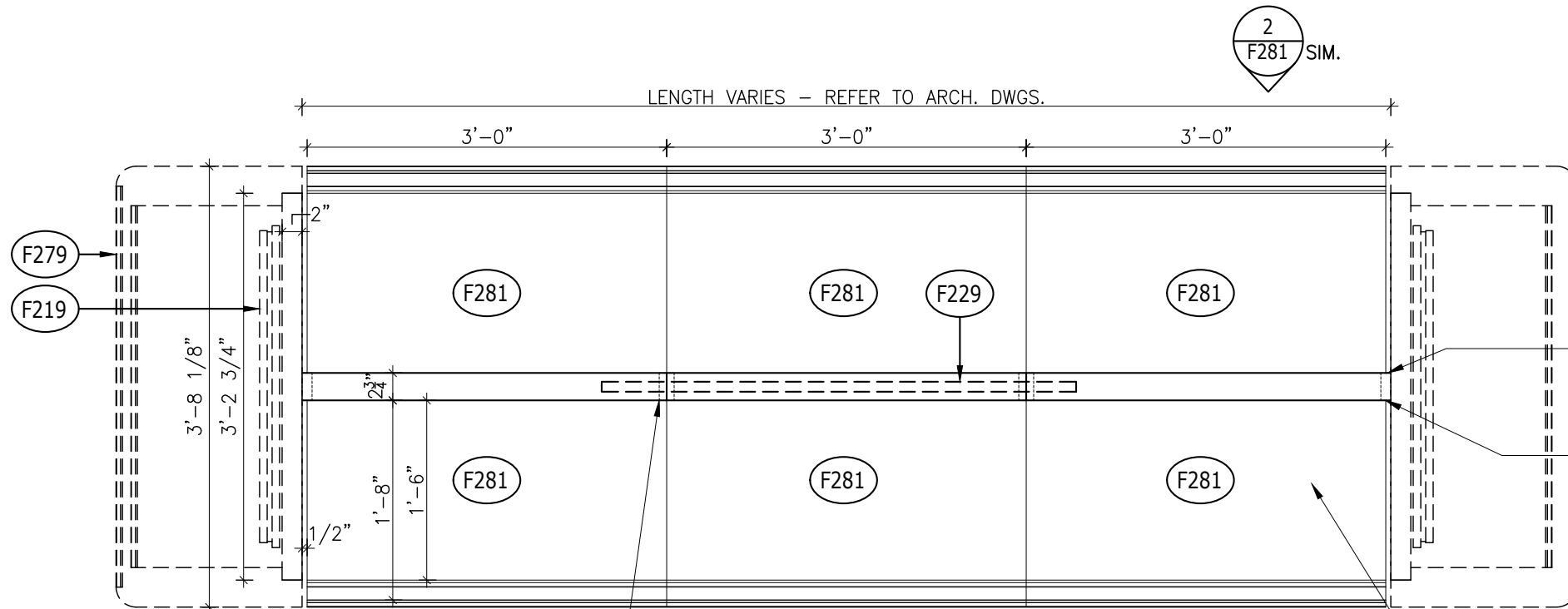


4 DETAIL
F280 6" = 1'-0"



5 DETAIL
F280 6" = 1'-0"

LCBO	200 GENERAL LIST	REVISION DATE	REV.	2 of 2	ISSUE DATE	STORE TYPE	STORE #
	3-HIGH 4'-0" METAL FLOOR GONDOLA (NARROW) - GENERAL LIST	2021 MAR.	17	F280	2021 APR		



1 PLAN
F281 3/4" = 1'-0"

2 3/4" x 1 1/2" x 53 5/8" HIGH HEAVY DUTY SLOTTED METAL POST (SLOTS AT 1" O.C. TYP.) FIN. NO. 16A

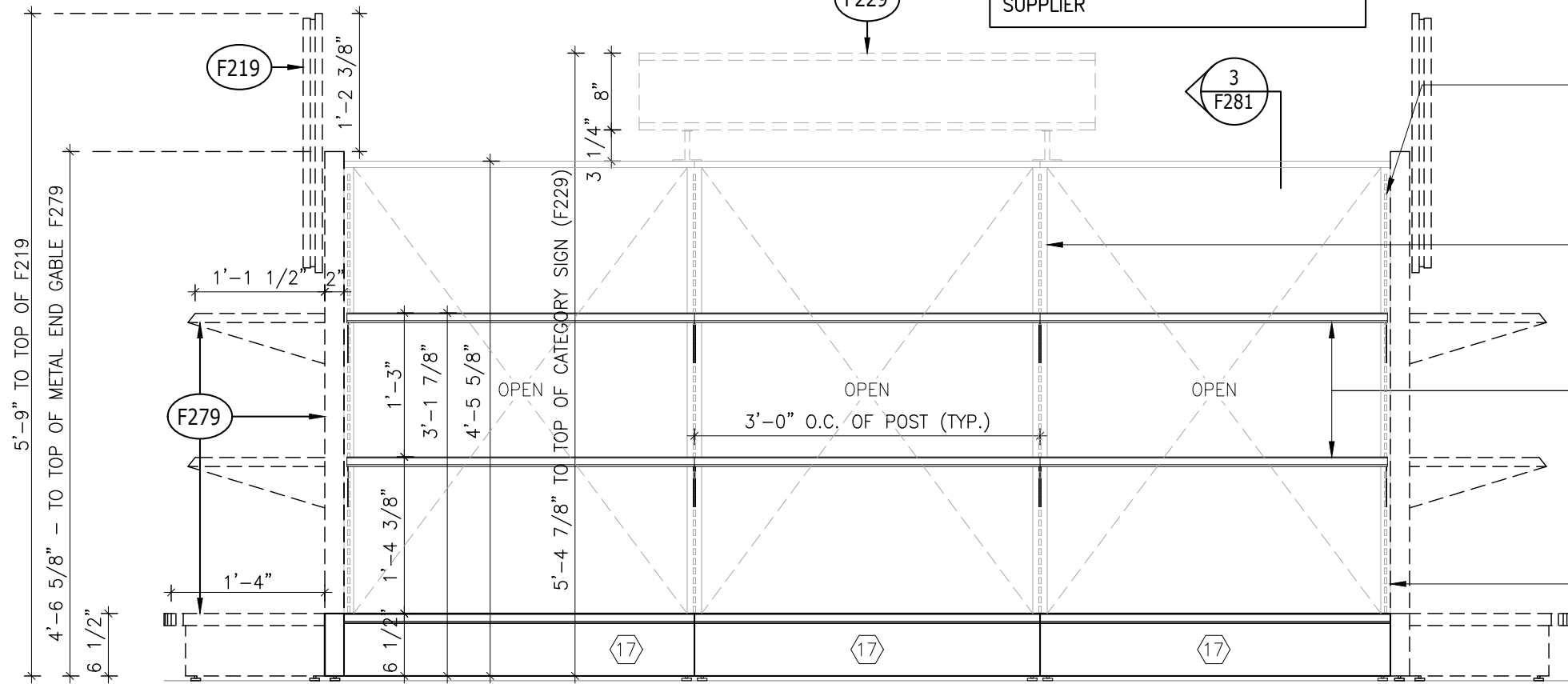
2
F281

NOTE:
ALL METAL TICKET HOLDERS TO RECEIVE 1 3/4" PLASTIC TICKET HOLDER INSERT TO SPAN LENGTH OF SHELF SECTION - TO BE SUPPLIED & INSTALLED BY METAL SHELVING SUPPLIER

2 3/4" x 1" x 53 5/8" HIGH HEAVY DUTY SLOTTED METAL END POST (SLOTS AT 1" O.C. TYP.) FIN. NO. 16A

ALL END POSTS TO BE MODIFIED AS REQUIRED TO ENSURE THAT THERE ARE NO GAPS BETWEEN METAL SHELVES AND END GABLES (FILLER STRIPS ARE NOT ACCEPTABLE)

HEAVY DUTY METAL SHELVING C/W ANGLED METAL TICKET HOLDERS TO ACCOMMODATE STANDARD LCBO 1 3/4" PLASTIC TICKET HOLDERS AT ALL SHELVES (SEE DETAIL 4, F281) ON H.D. METAL BRACKETS ALL IN FIN. 16A



2 ELEVATION
F281 3/4" = 1'-0"

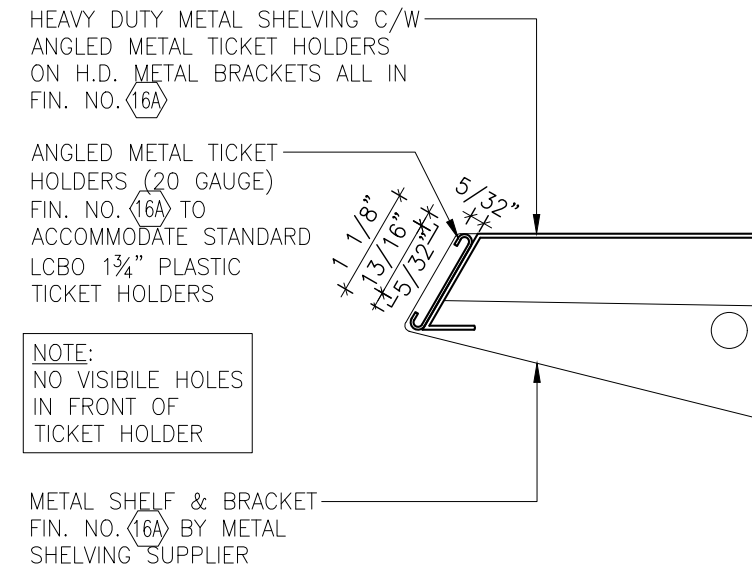
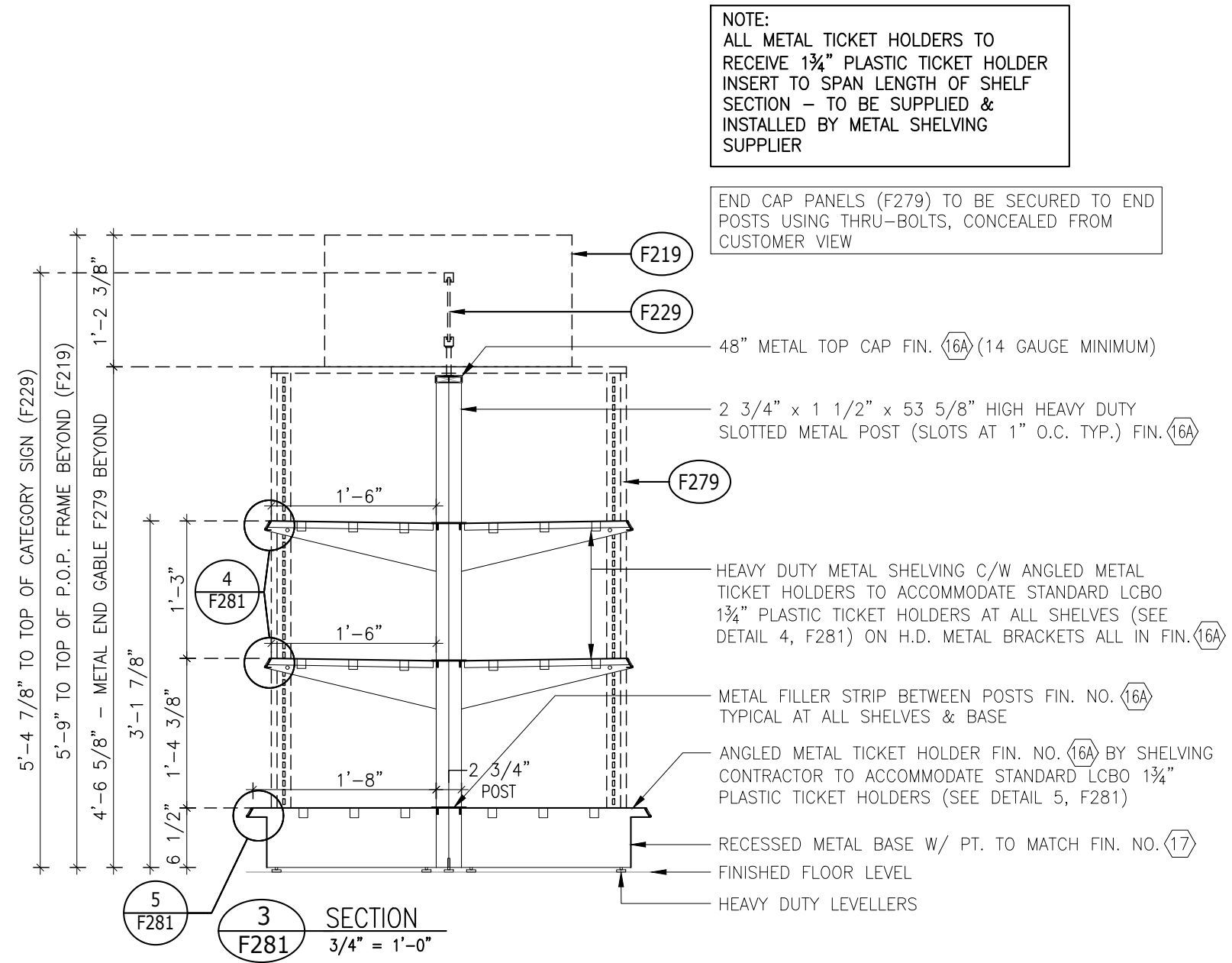
2 3/4" x 1" x 53 5/8" HIGH HEAVY DUTY SLOTTED METAL END POST (SLOTS AT 1" O.C. TYP.) FIN. NO. 16A

2 3/4" x 1 1/2" x 53 5/8" HIGH HEAVY DUTY SLOTTED METAL POST (SLOTS AT 1" O.C. TYP.) FIN. NO. 16A

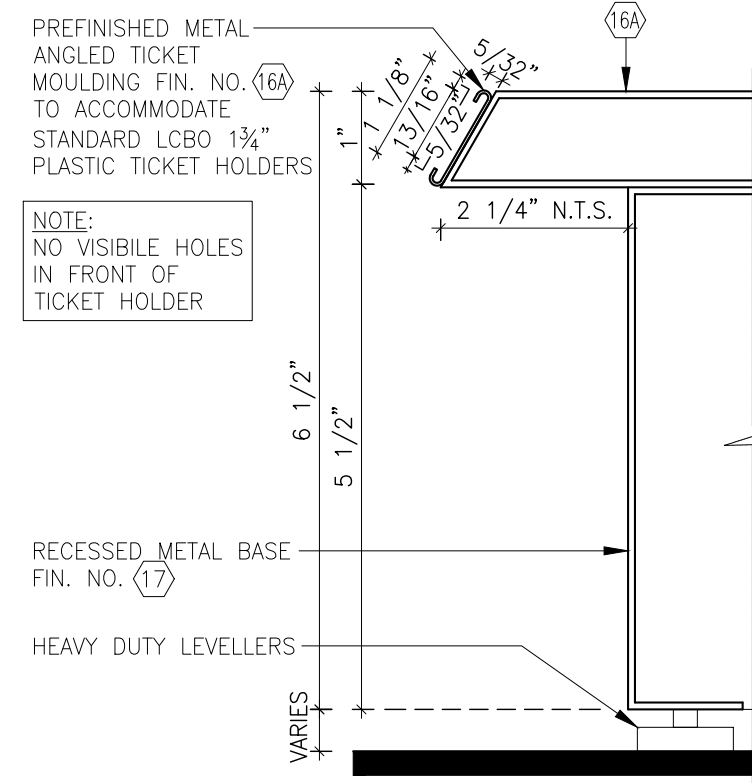
HEAVY DUTY METAL SHELVING C/W ANGLED METAL TICKET HOLDERS TO ACCOMMODATE STANDARD LCBO 1 3/4" PLASTIC TICKET HOLDERS AT ALL SHELVES (SEE DETAIL 4, F281) ON H.D. METAL BRACKETS ALL IN FIN. 16A

ALL END POSTS TO BE MODIFIED AS REQUIRED TO ENSURE THAT THERE ARE NO GAPS BETWEEN METAL SHELVES AND END GABLES (FILLER STRIPS ARE NOT ACCEPTABLE)

LCBO	200 GENERAL LIST	REVISION DATE	REV.	1 of 2	ISSUE DATE	STORE TYPE	STORE #
	3-HIGH 3'-0" METAL FLOOR GONDOLA (NARROW) - GENERAL LIST	2021 MAR.	17	F281	2021 APR		



4 DETAIL
 F281 6" = 1'-0"

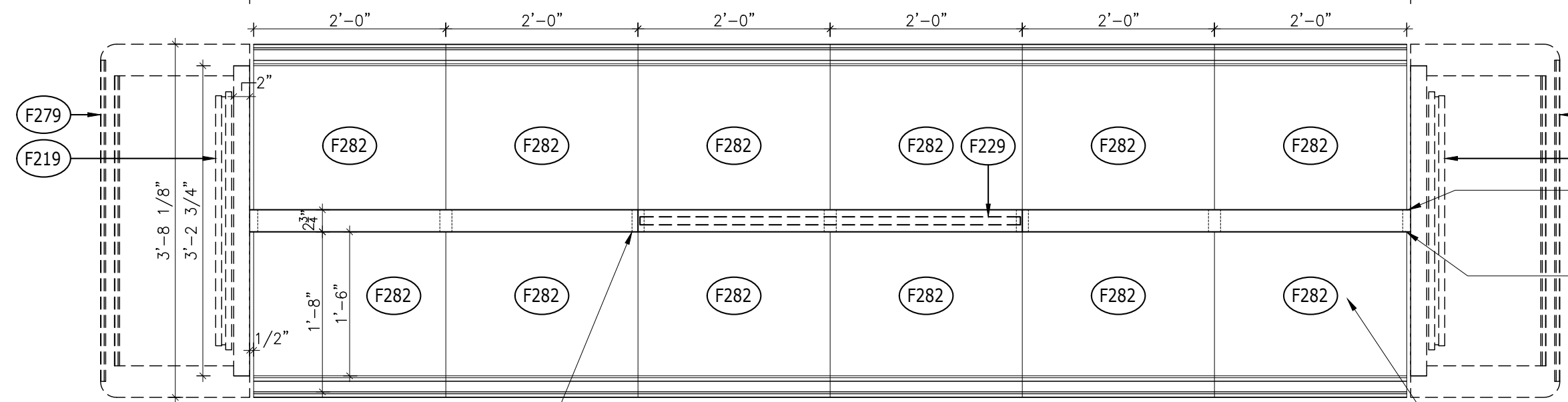


5 DETAIL
 F281 6" = 1'-0"

LCBO	200 GENERAL LIST	REVISION DATE	REV.	2 of 2	ISSUE DATE	STORE TYPE	STORE #
	3-HIGH 3'-0" METAL FLOOR GONDOLA (NARROW) - GENERAL LIST	2021 MAR.	17	F281	2021 APR		

2
F282 SIM.

LENGTH VARIES - REFER TO ARCH. DWGS.



1
F282
PLAN
3/4" = 1'-0"

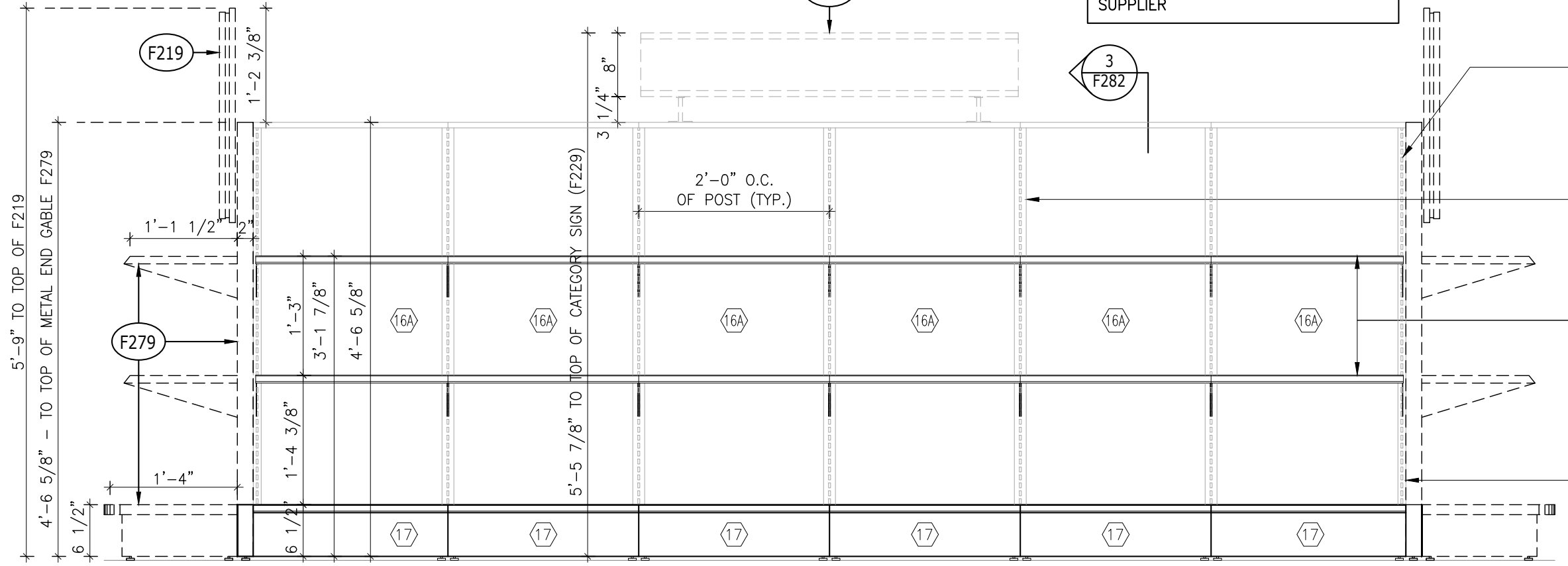
2 3/4" x 1 1/2" x 54 5/8"
HIGH HEAVY DUTY SLOTTED
METAL POST (SLOTS AT 1"
O.C. TYP.) FIN. NO. 16A

2
F282

NOTE:
ALL METAL TICKET HOLDERS TO
RECEIVE 1 3/4" PLASTIC TICKET HOLDER
INSERT TO SPAN LENGTH OF SHELF
SECTION - TO BE SUPPLIED &
INSTALLED BY METAL SHELVING
SUPPLIER

F279
F219
2 3/4" x 1" x 54 5/8" HIGH
HEAVY DUTY SLOTTED METAL END
POST (SLOTS AT 1" O.C. TYP.)
FIN. NO. 16A
ALL END POSTS TO BE MODIFIED
AS REQUIRED TO ENSURE THAT
THERE ARE NO GAPS BETWEEN
METAL SHELVES AND END GABLES
(FILLER STRIPS ARE NOT
ACCEPTABLE)

HEAVY DUTY METAL SHELVING C/W
ANGLED METAL TICKET HOLDERS TO
ACCOMMODATE STANDARD LCBO 1 3/4"
PLASTIC TICKET HOLDERS AT ALL
SHELVES (SEE DETAIL 4, F282) ON H.D.
METAL BRACKETS ALL IN FIN. 16A

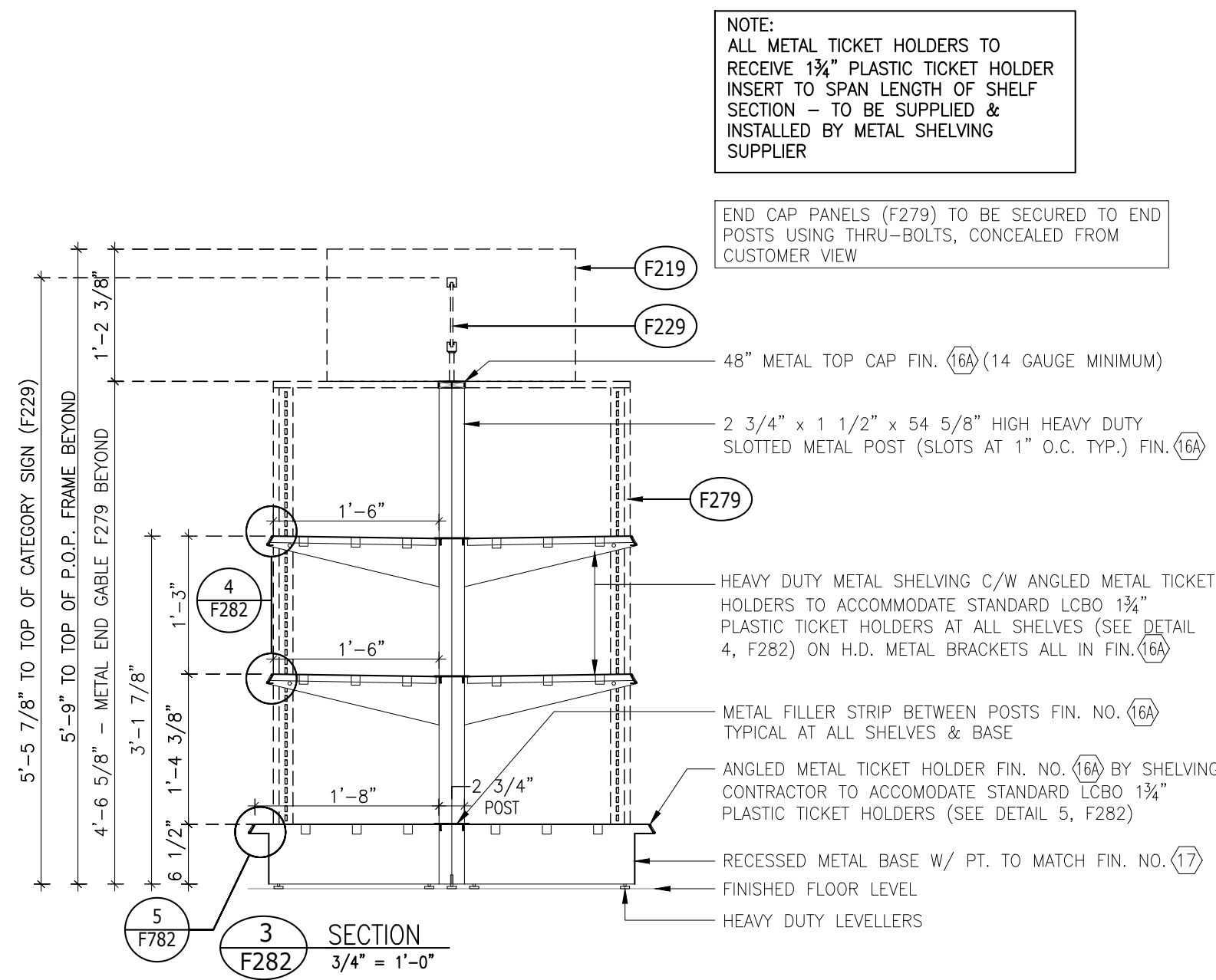


2
F282
ELEVATION
3/4" = 1'-0"

3
F282

2 3/4" x 1" x 53 5/8"
HIGH HEAVY DUTY
SLOTTED METAL END
POST (SLOTS AT 1" O.C.
TYP.) FIN. NO. 16A
2 3/4" x 1 1/2" x 54 5/8" HIGH
HEAVY DUTY SLOTTED METAL POST
(SLOTS AT 1" O.C. TYP.) FIN. NO. 16A
HEAVY DUTY METAL SHELVING C/W
ANGLED METAL TICKET HOLDERS TO
ACCOMMODATE STANDARD LCBO 1 3/4"
PLASTIC TICKET HOLDERS AT ALL
SHELVES (SEE DETAIL 4, F282) ON H.D.
METAL BRACKETS ALL IN FIN. 16A
ALL END POSTS TO BE MODIFIED AS
REQUIRED TO ENSURE THAT THERE
ARE NO GAPS BETWEEN METAL
SHELVES AND END GABLES (FILLER
STRIPS ARE NOT ACCEPTABLE)

LCBO	200 GENERAL LIST	REVISION DATE	REV.	1 of 2	ISSUE DATE	STORE TYPE	STORE #
	3-HIGH 2'-0" CONVERTIBLE FLOOR GONDOLA (NARROW) - GENERAL LIST	2021 MAR.	17	F282	2021 APR		



NOTE:
ALL METAL TICKET HOLDERS TO RECEIVE 1 3/4" PLASTIC TICKET HOLDER INSERT TO SPAN LENGTH OF SHELF SECTION - TO BE SUPPLIED & INSTALLED BY METAL SHELVING SUPPLIER

END CAP PANELS (F279) TO BE SECURED TO END POSTS USING THRU-BOLTS, CONCEALED FROM CUSTOMER VIEW

48" METAL TOP CAP FIN. (16A) (14 GAUGE MINIMUM)

2 3/4" x 1 1/2" x 54 5/8" HIGH HEAVY DUTY SLOTTED METAL POST (SLOTS AT 1" O.C. TYP.) FIN. (16A)

HEAVY DUTY METAL SHELVING C/W ANGLED METAL TICKET HOLDERS TO ACCOMMODATE STANDARD LCBO 1 3/4" PLASTIC TICKET HOLDERS AT ALL SHELVES (SEE DETAIL 4, F282) ON H.D. METAL BRACKETS ALL IN FIN. (16A)

METAL FILLER STRIP BETWEEN POSTS FIN. NO. (16A) TYPICAL AT ALL SHELVES & BASE

ANGLED METAL TICKET HOLDER FIN. NO. (16A) BY SHELVING CONTRACTOR TO ACCOMMODATE STANDARD LCBO 1 3/4" PLASTIC TICKET HOLDERS (SEE DETAIL 5, F282)

RECESSED METAL BASE W/ PT. TO MATCH FIN. NO. (17)

FINISHED FLOOR LEVEL

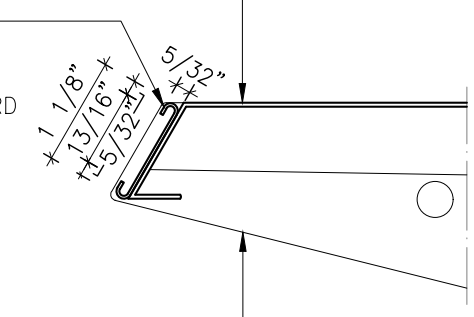
HEAVY DUTY LEVELLERS

HEAVY DUTY METAL SHELVING C/W ANGLED METAL TICKET HOLDERS ON H.D. METAL BRACKETS ALL IN FIN. NO. (16A)

ANGLED METAL TICKET HOLDERS (20 GAUGE) FIN. NO. (16A) TO ACCOMMODATE STANDARD LCBO 1 3/4" PLASTIC TICKET HOLDERS

NOTE:
NO VISIBLE HOLES IN FRONT OF TICKET HOLDER

METAL SHELF & BRACKET FIN. NO. (16A) BY METAL SHELVING SUPPLIER



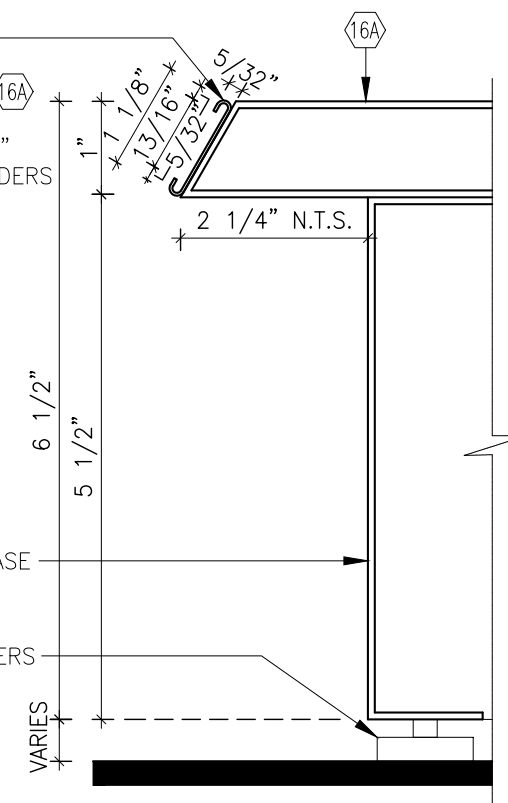
4 DETAIL
F282 6" = 1'-0"

PREFINISHED METAL ANGLED TICKET MOULDING FIN. NO. (16A) TO ACCOMMODATE STANDARD LCBO 1 3/4" PLASTIC TICKET HOLDERS

NOTE:
NO VISIBLE HOLES IN FRONT OF TICKET HOLDER

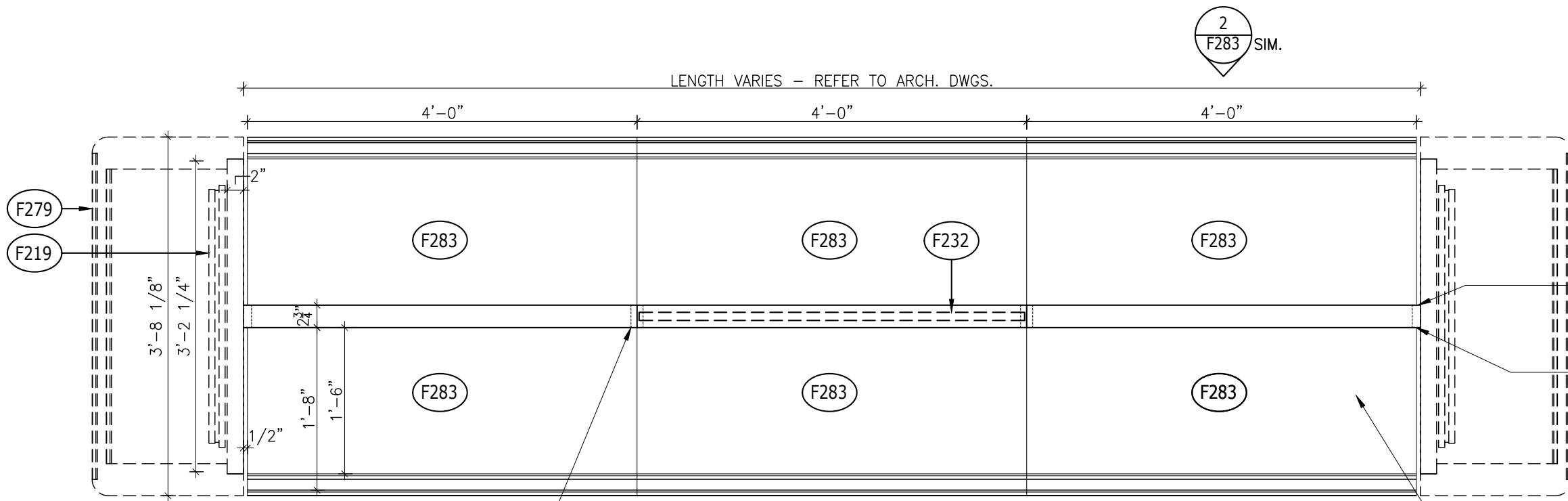
RECESSED METAL BASE FIN. NO. (17)

HEAVY DUTY LEVELLERS



5 DETAIL
F282 6" = 1'-0"

LCBO	200 GENERAL LIST	REVISION DATE	REV.	2 of 2	ISSUE DATE	STORE TYPE	STORE #
	3-HIGH 2'-0" CONVERTIBLE FLOOR GONDOLA (NARROW) - GENERAL LIST	2021 MAR.	17	F282	2021 APR		



1 PLAN
F283 3/4" = 1'-0"

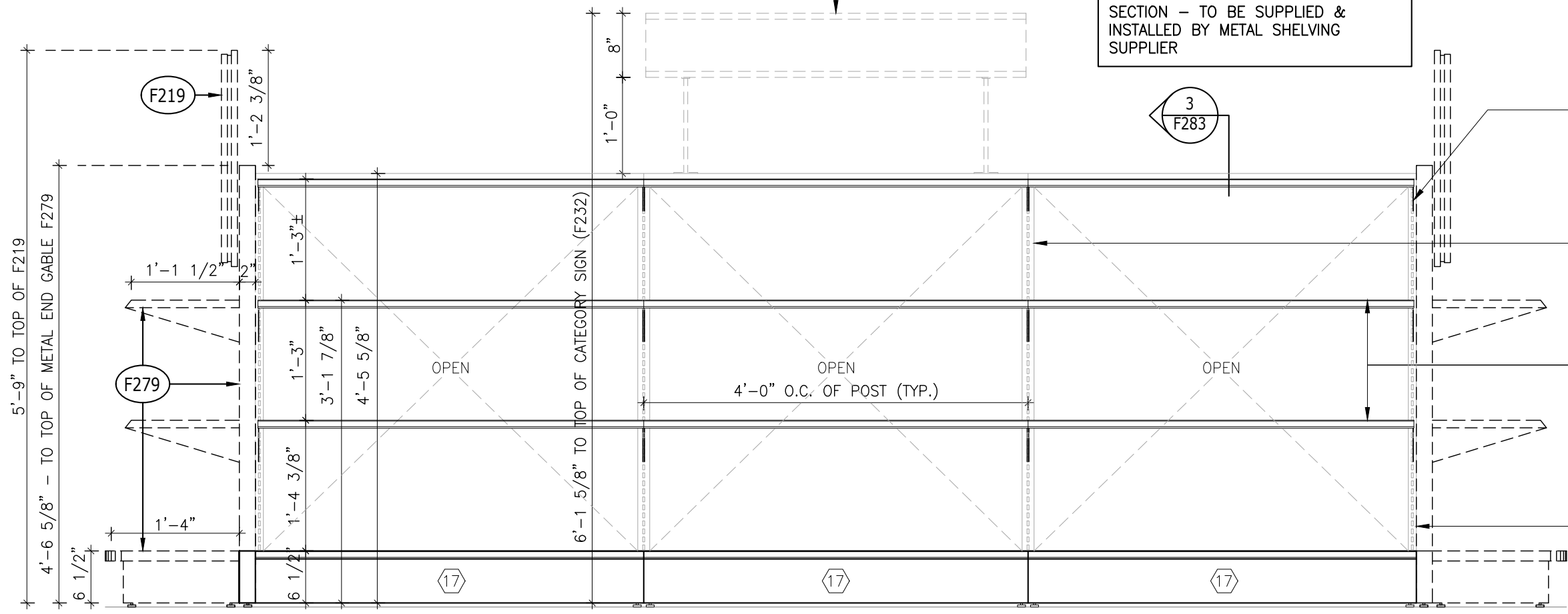
2 3/4" x 1 1/2" x 52 5/8" HIGH HEAVY DUTY SLOTTED METAL POST (SLOTS AT 1" O.C. TYP.) FIN. NO. 16A

NOTE:
ALL METAL TICKET HOLDERS TO RECEIVE 1 3/4" PLASTIC TICKET HOLDER INSERT TO SPAN LENGTH OF SHELF SECTION - TO BE SUPPLIED & INSTALLED BY METAL SHELVING SUPPLIER

2 3/4" x 1" x 53 5/8" HIGH HEAVY DUTY SLOTTED METAL END POST (SLOTS AT 1" O.C. TYP.) FIN. NO. 16A

ALL END POSTS TO BE MODIFIED AS REQUIRED TO ENSURE THAT THERE ARE NO GAPS BETWEEN METAL SHELVES AND END GABLES (FILLER STRIPS ARE NOT ACCEPTABLE)

HEAVY DUTY METAL SHELVING C/W ANGLED METAL TICKET HOLDERS TO ACCOMMODATE STANDARD LCBO 1 3/4" PLASTIC TICKET HOLDERS AT ALL SHELVES (SEE DETAIL 4, F283) ON H.D. METAL BRACKETS ALL IN FIN. 16A



2 ELEVATION
F283 3/4" = 1'-0"

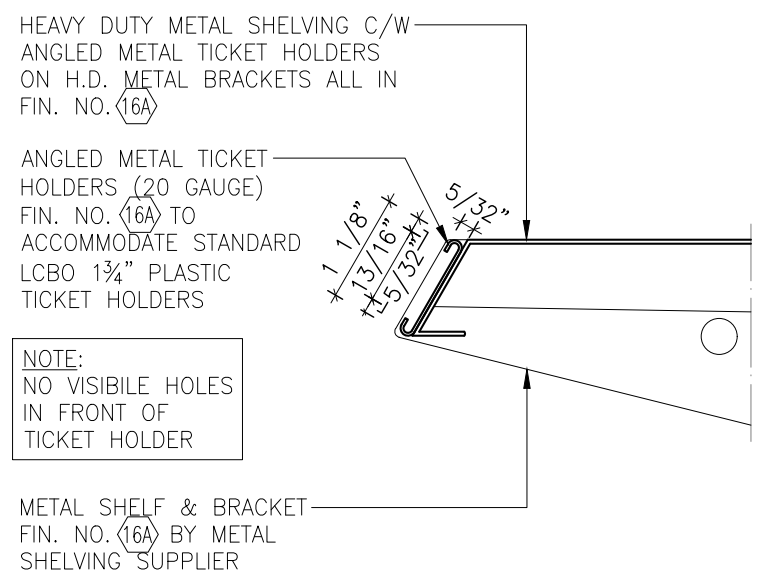
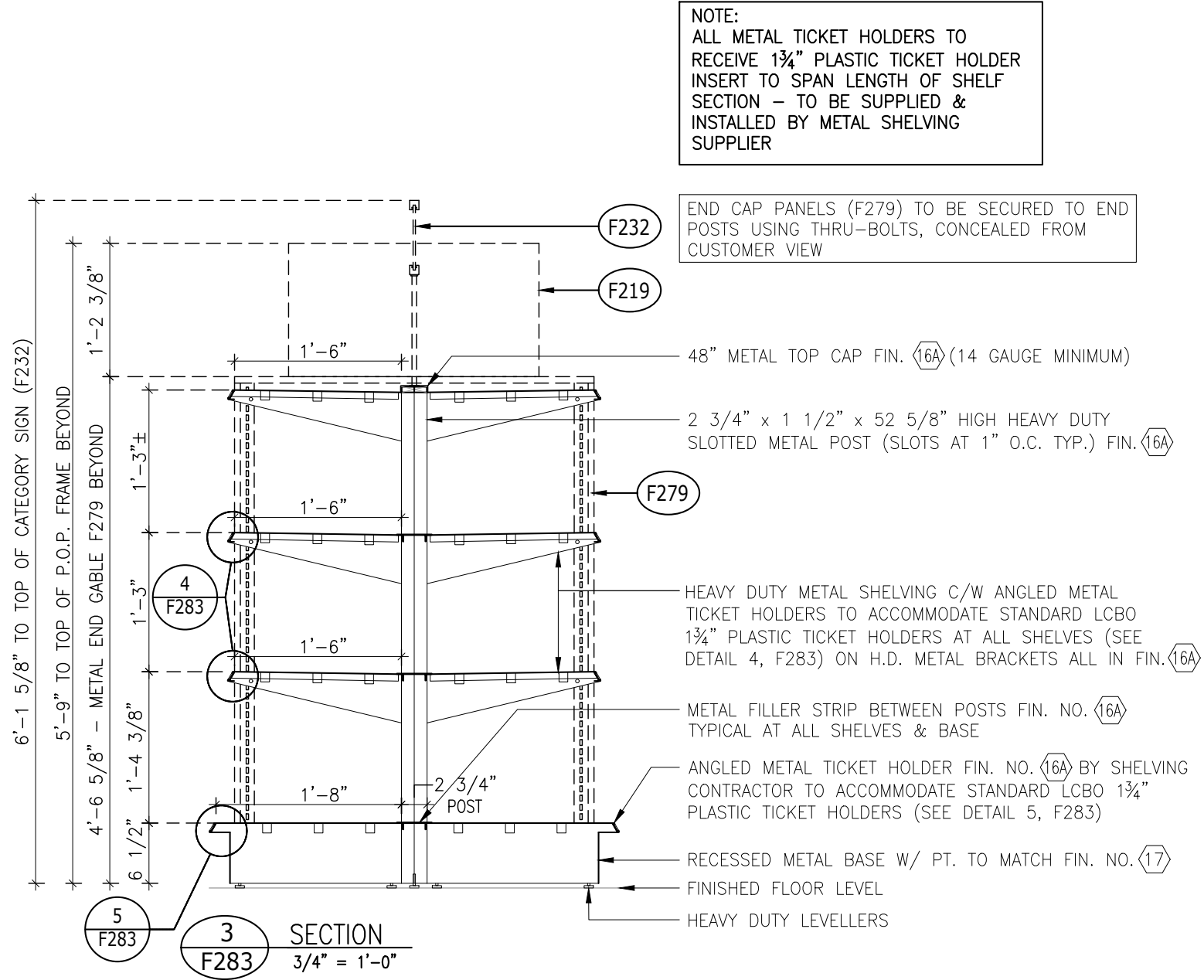
2 3/4" x 1" x 53 5/8" HIGH HEAVY DUTY SLOTTED METAL END POST (SLOTS AT 1" O.C. TYP.) FIN. NO. 16A

2 3/4" x 1 1/2" x 52 5/8" HIGH HEAVY DUTY SLOTTED METAL POST (SLOTS AT 1" O.C. TYP.) FIN. NO. 16A

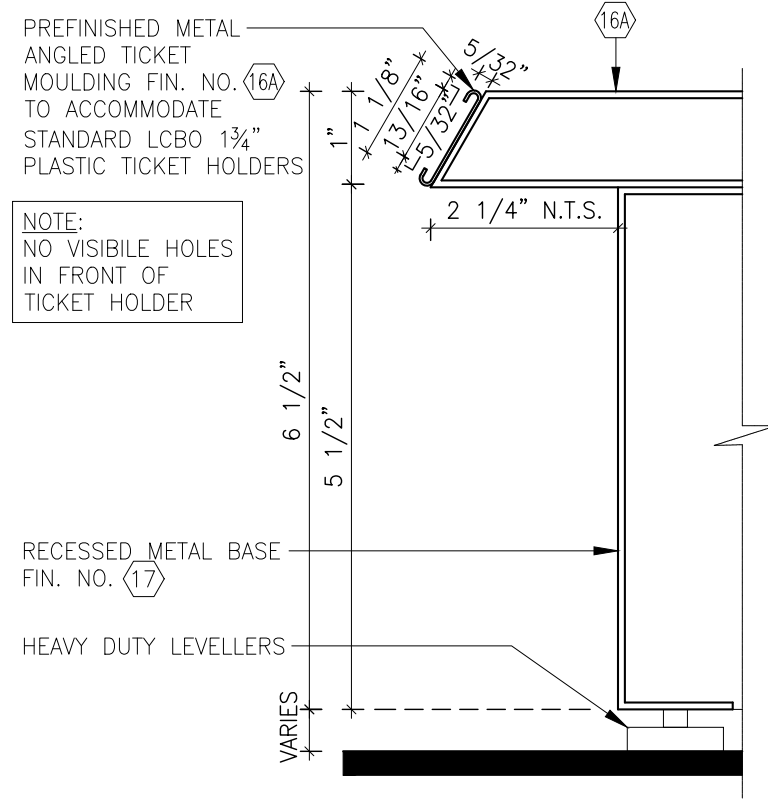
HEAVY DUTY METAL SHELVING C/W ANGLED METAL TICKET HOLDERS TO ACCOMMODATE STANDARD LCBO 1 3/4" PLASTIC TICKET HOLDERS AT ALL SHELVES (SEE DETAIL 4, F283) ON H.D. METAL BRACKETS ALL IN FIN. 16A

ALL END POSTS TO BE MODIFIED AS REQUIRED TO ENSURE THAT THERE ARE NO GAPS BETWEEN METAL SHELVES AND END GABLES (FILLER STRIPS ARE NOT ACCEPTABLE)

LCBO	200 GENERAL LIST	REVISION DATE	REV.	1 of 2	ISSUE DATE	STORE TYPE	STORE #
	4-HIGH 4'-0" METAL FLOOR GONDOLA (NARROW) - GENERAL LIST	2021 MAR	17	F283	2021 APR		

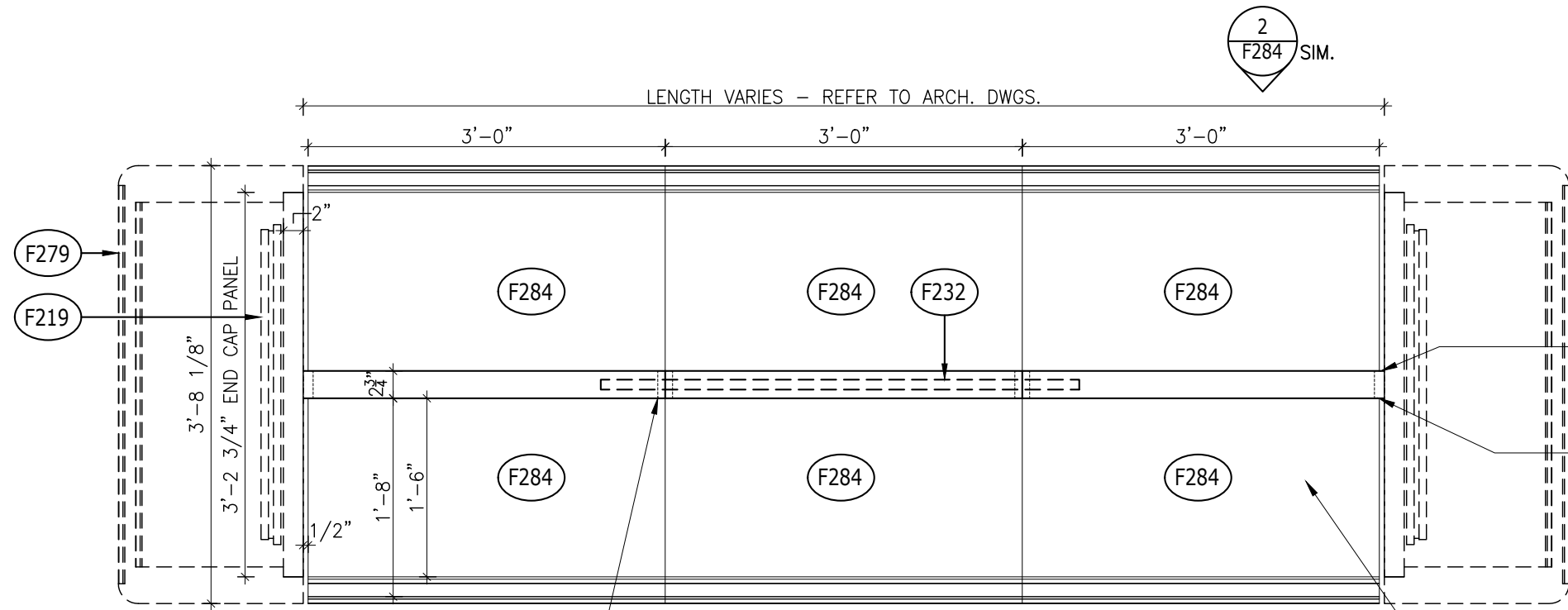


4 DETAIL
F283 6" = 1'-0"



5 DETAIL
F283 6" = 1'-0"

LCBO	200 GENERAL LIST	REVISION DATE	REV.	2 of 2	ISSUE DATE	STORE TYPE	STORE #
	4-HIGH 4'-0" METAL FLOOR GONDOLA (NARROW) - GENERAL LIST	2021 MAR.	17	F283	2021 APR		



1
F284
PLAN
3/4" = 1'-0"

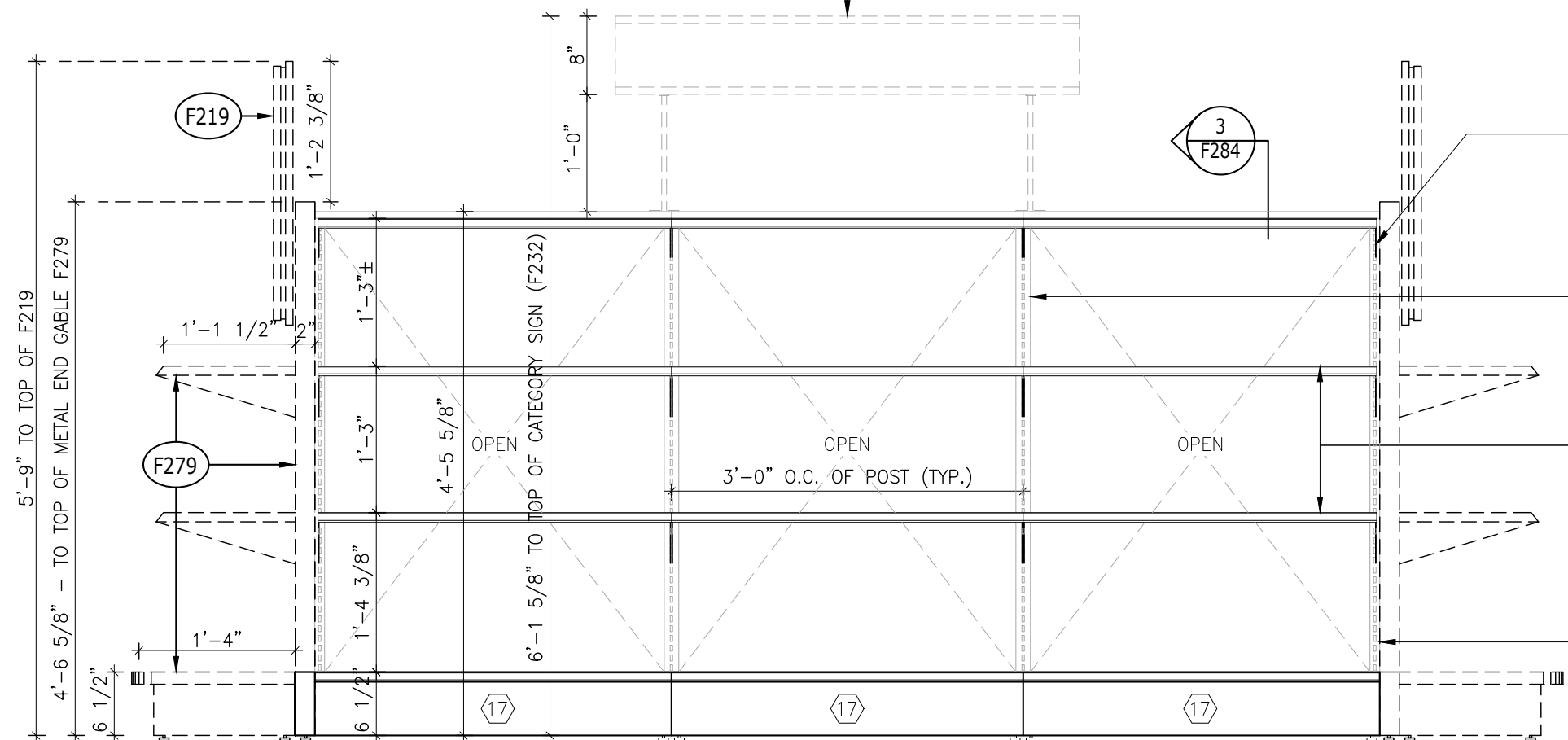
2 3/4" x 1 1/2" x 52 5/8" HIGH HEAVY DUTY SLOTTED METAL POST (SLOTS AT 1" O.C. TYP.) FIN. NO. 16A

NOTE:
ALL METAL TICKET HOLDERS TO RECEIVE 1 3/4" PLASTIC TICKET HOLDER INSERT TO SPAN LENGTH OF SHELF SECTION - TO BE SUPPLIED & INSTALLED BY METAL SHELVING SUPPLIER

2 3/4" x 1" x 53 5/8" HIGH HEAVY DUTY SLOTTED METAL END POST (SLOTS AT 1" O.C. TYP.) FIN. NO. 16A

ALL END POSTS TO BE MODIFIED AS REQUIRED TO ENSURE THAT THERE ARE NO GAPS BETWEEN METAL SHELVES AND END GABLES (FILLER STRIPS ARE NOT ACCEPTABLE)

HEAVY DUTY METAL SHELVING C/W ANGLED METAL TICKET HOLDERS TO ACCOMMODATE STANDARD LCBO 1 3/4" PLASTIC TICKET HOLDERS AT ALL SHELVES (SEE DETAIL 4, F284) ON H.D. METAL BRACKETS ALL IN FIN. 16A



2
F284
ELEVATION
3/4" = 1'-0"

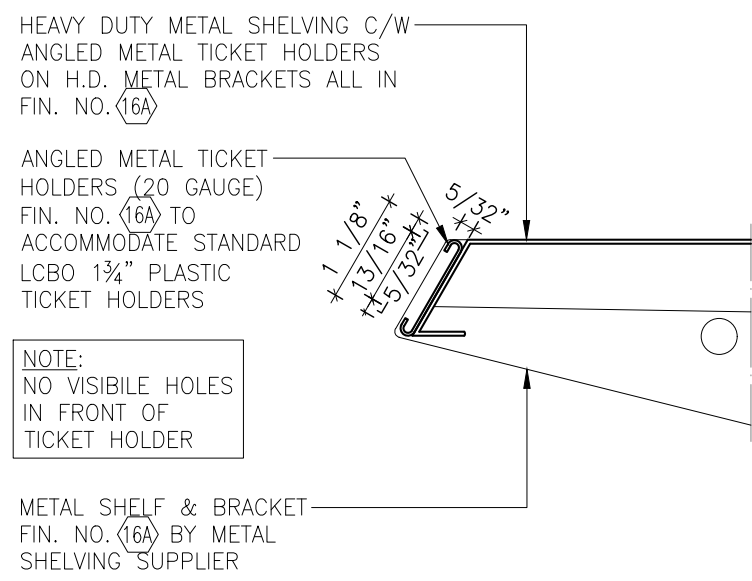
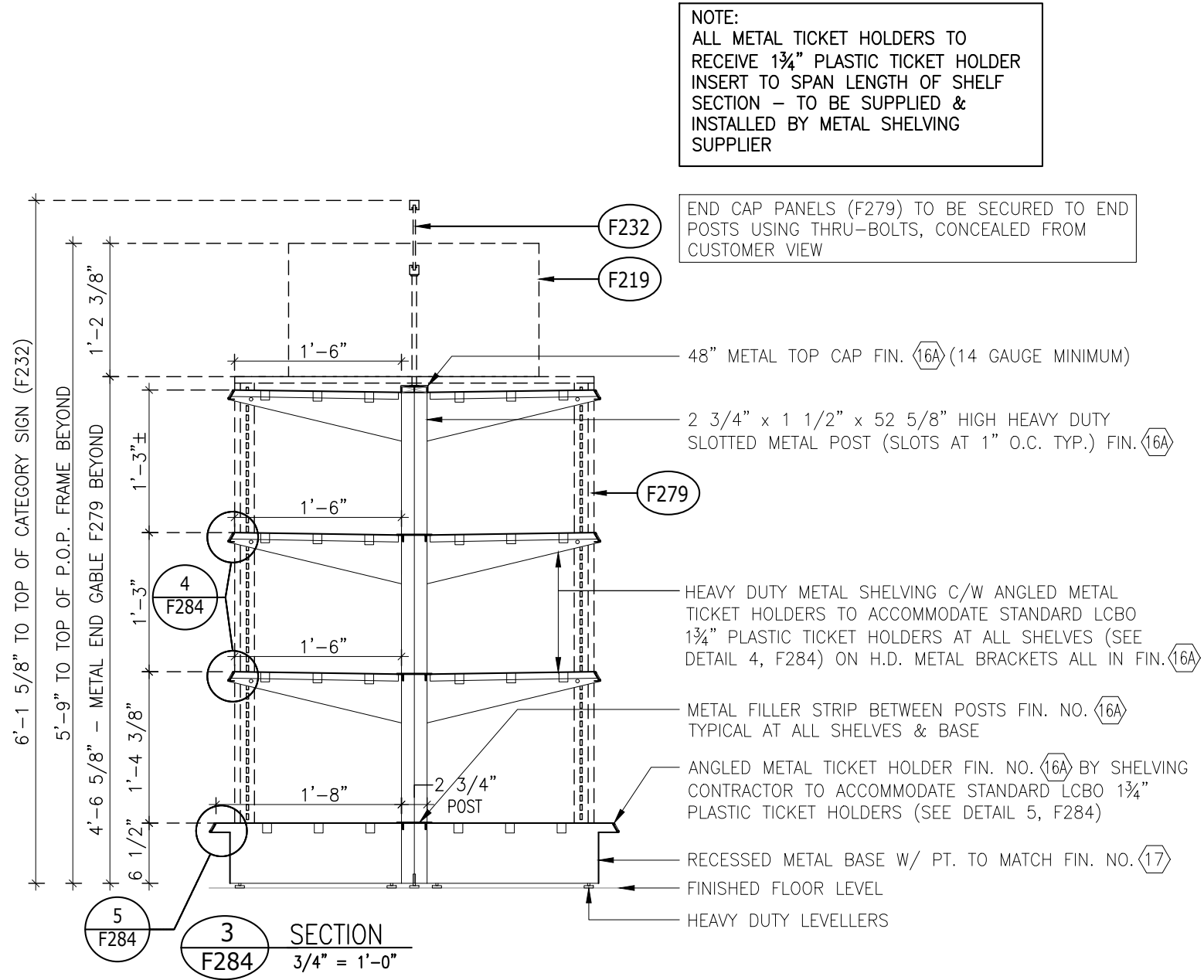
2 3/4" x 1" x 53 5/8" HIGH HEAVY DUTY SLOTTED METAL END POST (SLOTS AT 1" O.C. TYP.) FIN. NO. 16A

2 3/4" x 1 1/2" x 52 5/8" HIGH HEAVY DUTY SLOTTED METAL POST (SLOTS AT 1" O.C. TYP.) FIN. NO. 16A

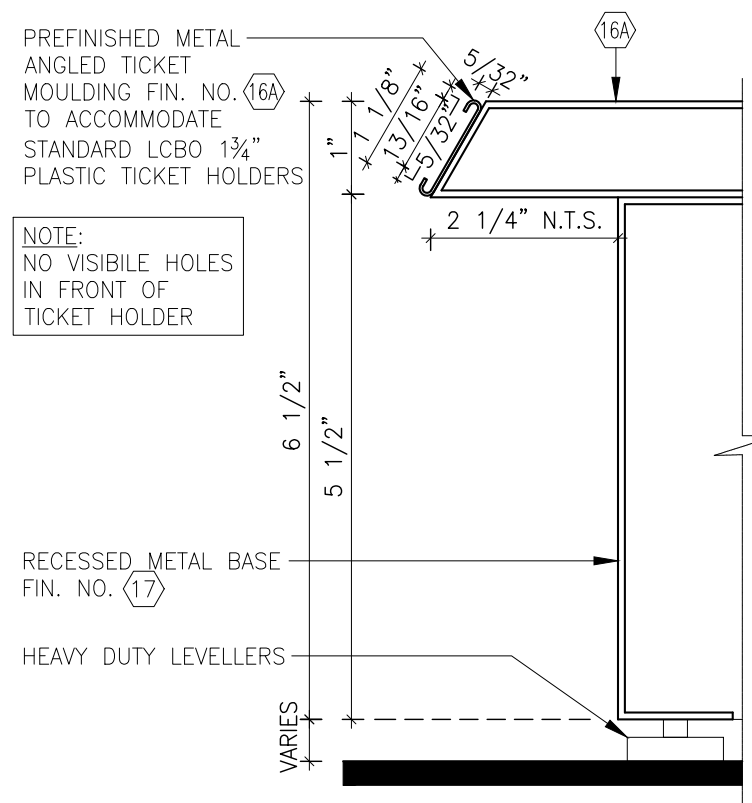
HEAVY DUTY METAL SHELVING C/W ANGLED METAL TICKET HOLDERS TO ACCOMMODATE STANDARD LCBO 1 3/4" PLASTIC TICKET HOLDERS AT ALL SHELVES (SEE DETAIL 4, F284) ON H.D. METAL BRACKETS ALL IN FIN. 16A

ALL END POSTS TO BE MODIFIED AS REQUIRED TO ENSURE THAT THERE ARE NO GAPS BETWEEN METAL SHELVES AND END GABLES (FILLER STRIPS ARE NOT ACCEPTABLE)

LCBO	200 GENERAL LIST	REVISION DATE	REV.	1 of 2	ISSUE DATE	STORE TYPE	STORE #
	4-HIGH 3'-0" METAL FLOOR GONDOLA (NARROW) - GENERAL LIST	2021 MAR.	17	F284	2021 APR		



4 DETAIL
F284 6" = 1'-0"

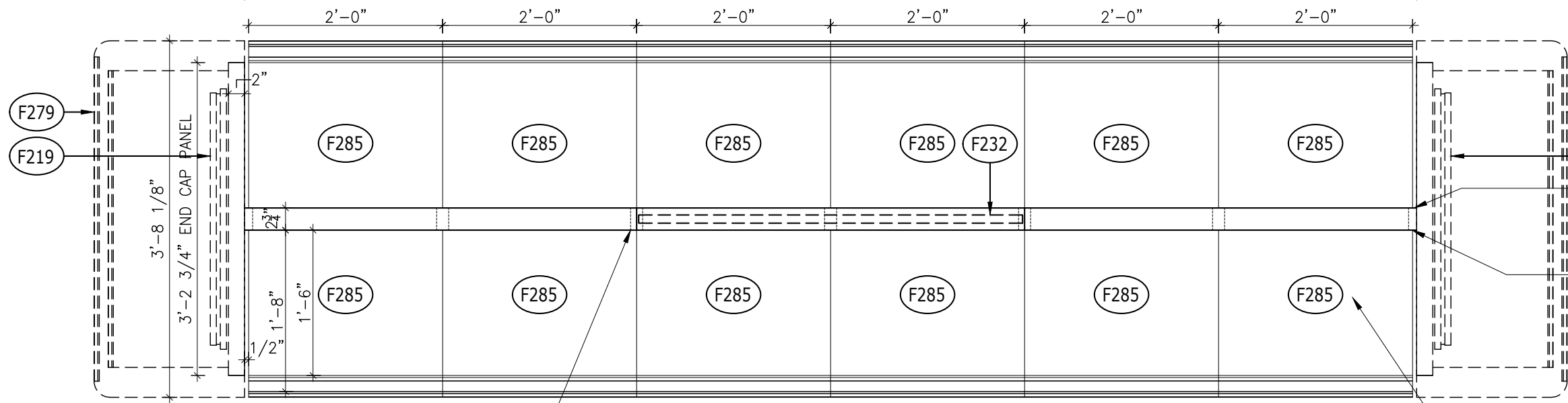


5 DETAIL
F284 6" = 1'-0"

LCBO	200 GENERAL LIST	REVISION DATE	REV.	2 of 2	ISSUE DATE	STORE TYPE	STORE #
	4-HIGH 3'-0" METAL FLOOR GONDOLA (NARROW) - GENERAL LIST	2021 MAR.	17	F284	2021 APR		

2
F285 SIM.

LENGTH VARIES - REFER TO ARCH. DWGS.



F279
F219
2 3/4" x 1" x 54 5/8" HIGH HEAVY DUTY SLOTTED METAL END POST (SLOTS AT 1" O.C. TYP.) FIN. NO. 16A

ALL END POSTS TO BE MODIFIED AS REQUIRED TO ENSURE THAT THERE ARE NO GAPS BETWEEN METAL SHELVES AND END GABLES (FILLER STRIPS ARE NOT ACCEPTABLE)

HEAVY DUTY METAL SHELVING C/W ANGLED METAL TICKET HOLDERS TO ACCOMMODATE STANDARD LCBO 1" HIGH PAPER TICKETS AT ALL SHELVES (SEE DETAIL 4, F285) ON H.D. METAL BRACKETS ALL IN FIN. 16A

2 3/4" x 1" x 54 5/8" HIGH HEAVY DUTY SLOTTED METAL END POST (SLOTS AT 1" O.C. TYP.) FIN. NO. 16A

2 3/4" x 1 1/2" x 54 5/8" HIGH HEAVY DUTY SLOTTED METAL POST (SLOTS AT 1" O.C. TYP.) FIN. NO. 16A

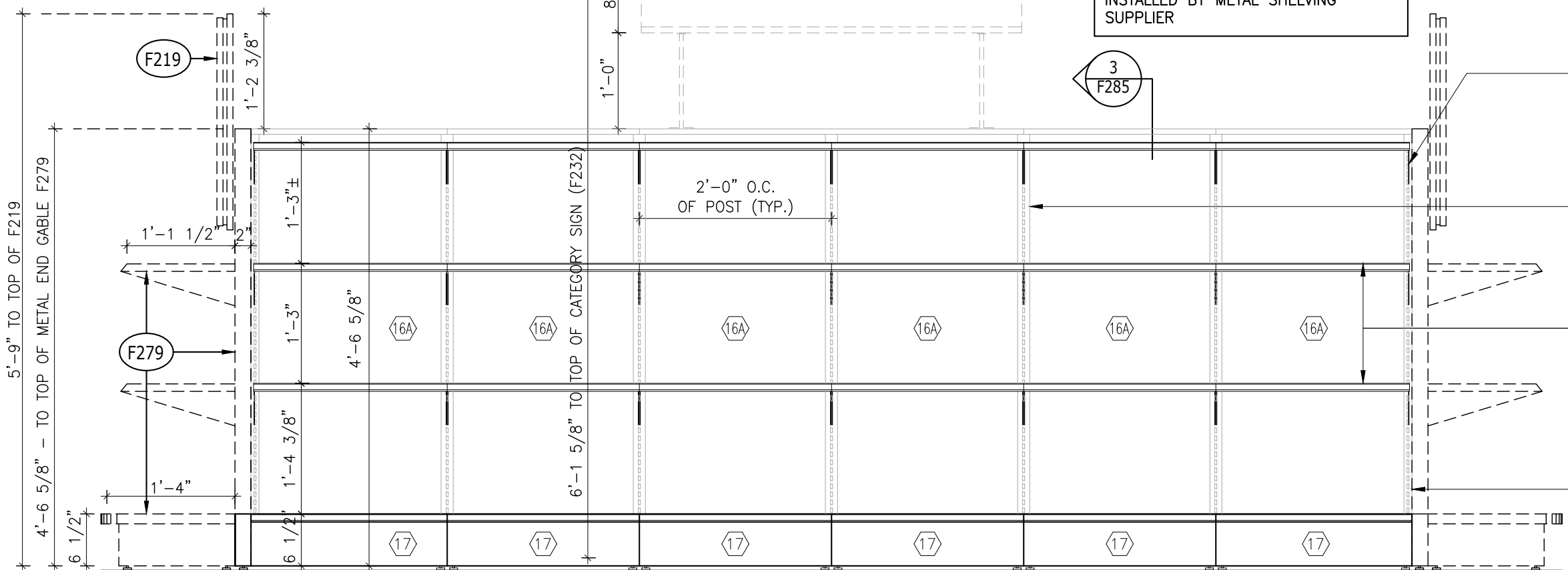
HEAVY DUTY METAL SHELVING C/W ANGLED METAL TICKET HOLDERS TO ACCOMMODATE STANDARD LCBO 1" HIGH PAPER TICKETS AT ALL SHELVES (SEE DETAIL 4, F285) ON H.D. METAL BRACKETS ALL IN FIN. 16A

ALL END POSTS TO BE MODIFIED AS REQUIRED TO ENSURE THAT THERE ARE NO GAPS BETWEEN METAL SHELVES AND END GABLES (FILLER STRIPS ARE NOT ACCEPTABLE)

NOTE:
ALL METAL TICKET HOLDERS TO RECEIVE 1 3/4" PLASTIC TICKET HOLDER INSERT TO SPAN LENGTH OF SHELF SECTION - TO BE SUPPLIED & INSTALLED BY METAL SHELVING SUPPLIER

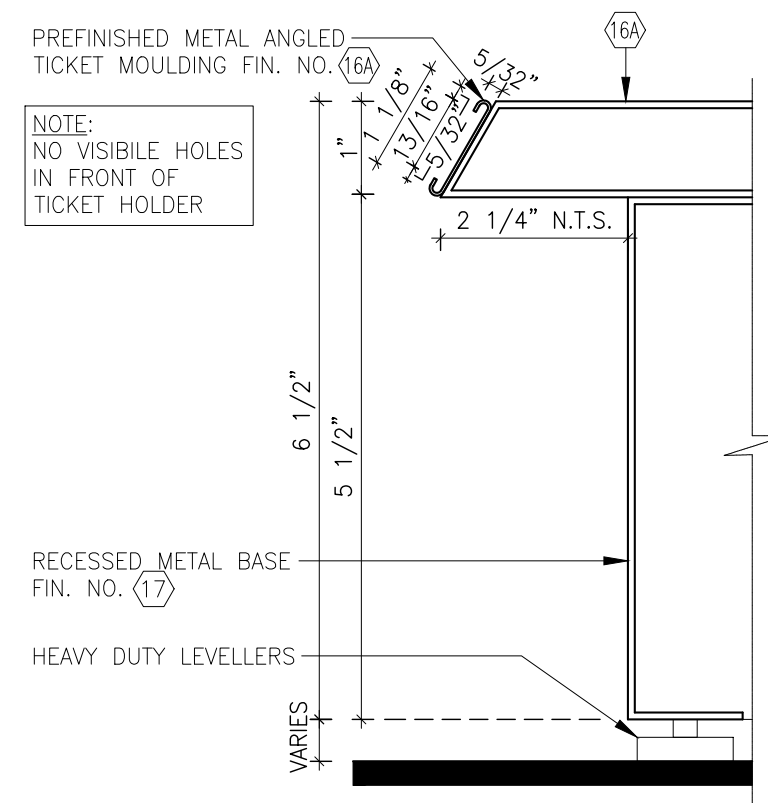
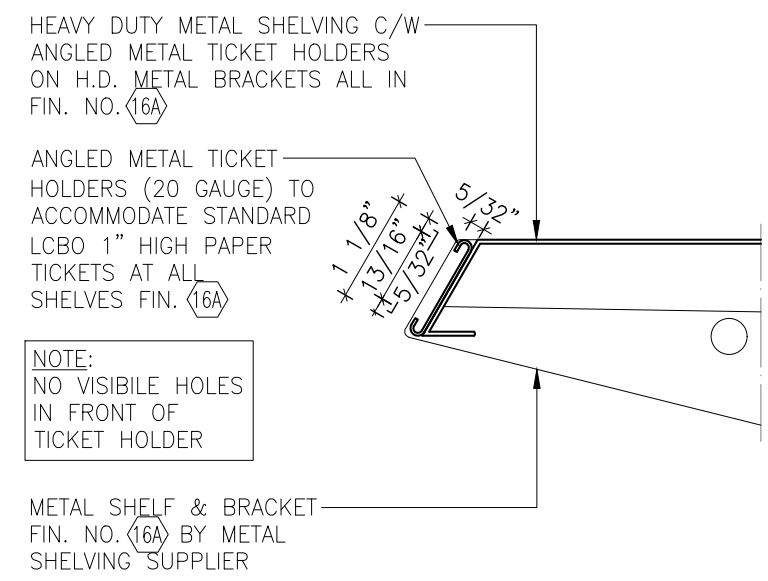
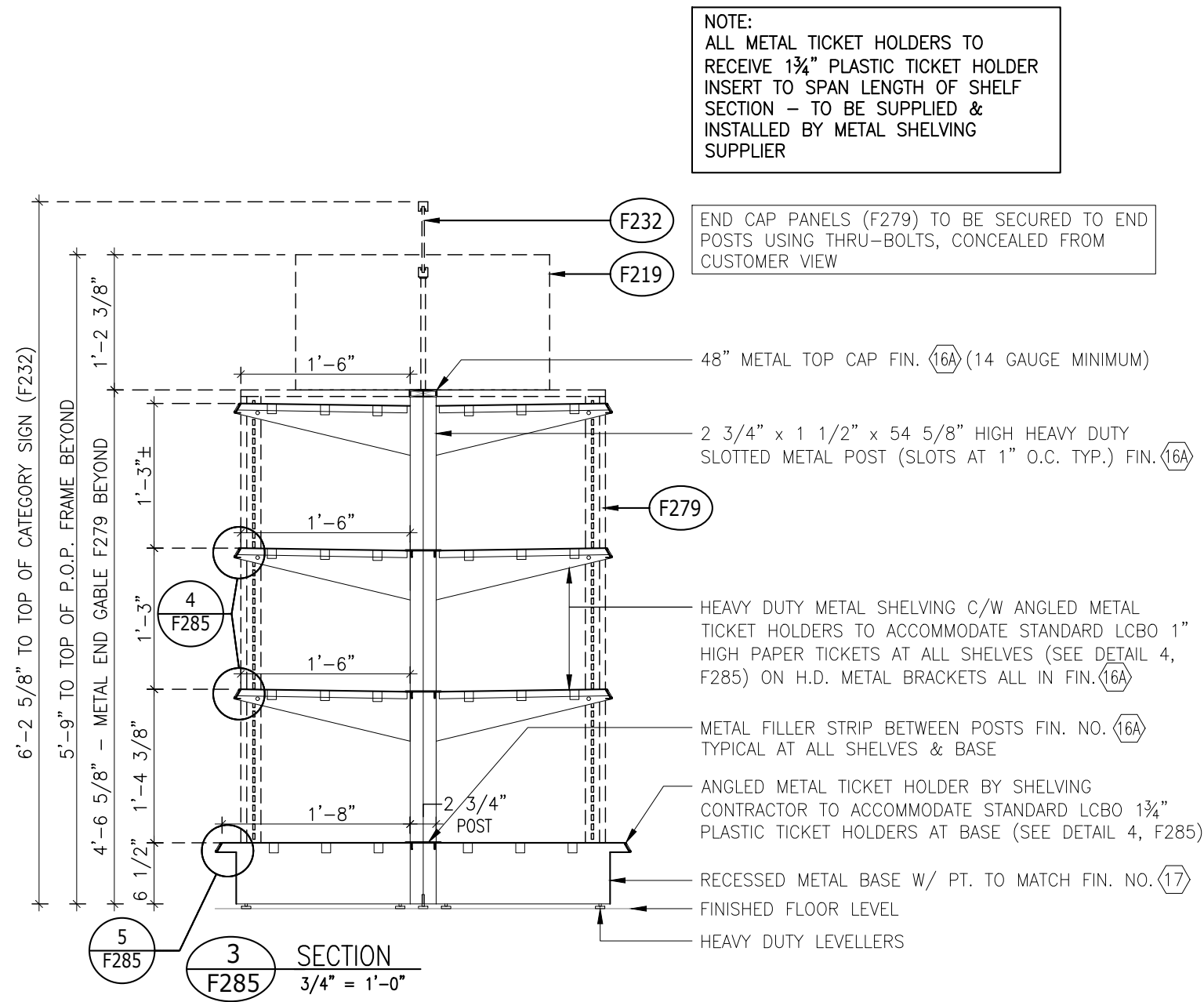
1 PLAN
F285 3/4" = 1'-0"

2 3/4" x 1 1/2" x 54 5/8" HIGH HEAVY DUTY SLOTTED METAL POST (SLOTS AT 1" O.C. TYP.) FIN. NO. 16A

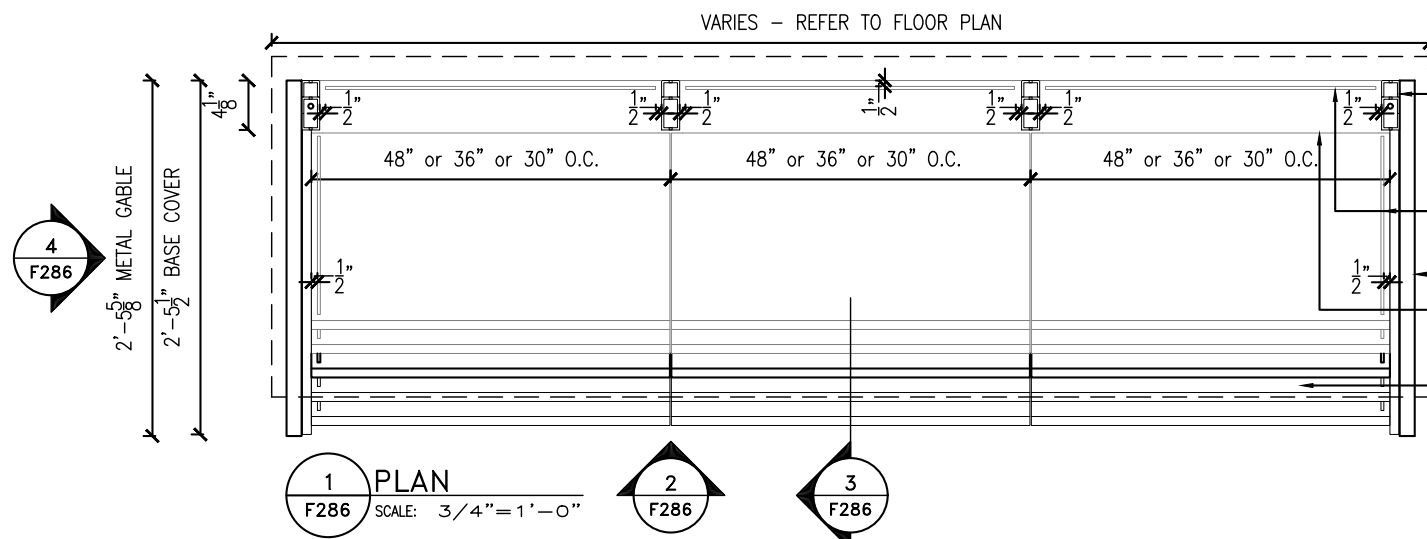


2 ELEVATION
F285 3/4" = 1'-0"

LCBO	200 GENERAL LIST	REVISION DATE	REV.	1 of 2	ISSUE DATE	STORE TYPE	STORE #
	4-HIGH 2'-0" CONVERTIBLE FLOOR GONDOLA (NARROW) - GENERAL LIST	2021 MAR.	17	F285	2021 APR		



LCBO	200 GENERAL LIST	REVISION DATE	REV.	2 of 2	ISSUE DATE	STORE TYPE	STORE #
	4-HIGH 2'-0" CONVERTIBLE FLOOR GONDOLA (NARROW) - GENERAL LIST	2021 MAR.	17	F285	2021 APR		



DOTTED LINE DENOTES LOCATION OF METAL FASCIA SIGNBAND ABOVE

4 1/8" x 1 1/2" x 7'-9" HIGH HEAVY DUTY SLOTTED METAL POST (SLOTS AT 1" O.C. TYP.) C/W CONTINUOUS FULL HEIGHT METAL CAP DETAIL TO BOTH SIDES OF POSTS TO CONCEAL WELDS, ALL IN FIN. NO. 24 (TYPICAL AT ALL POSTS)

1/4" SQ. METAL RAIL FIN. NO. 24 (TO BE SUPPLIED + INSTALLED BY SHELVING SUPPLIER)

METAL GABLE. FIN. NO. 24 (BY SHELVING SUPPLIER)

FRICTION-FIT METAL FILLER STRIP FIN. NO. 24 BETWEEN POSTS (APPROX. 4" DP.)

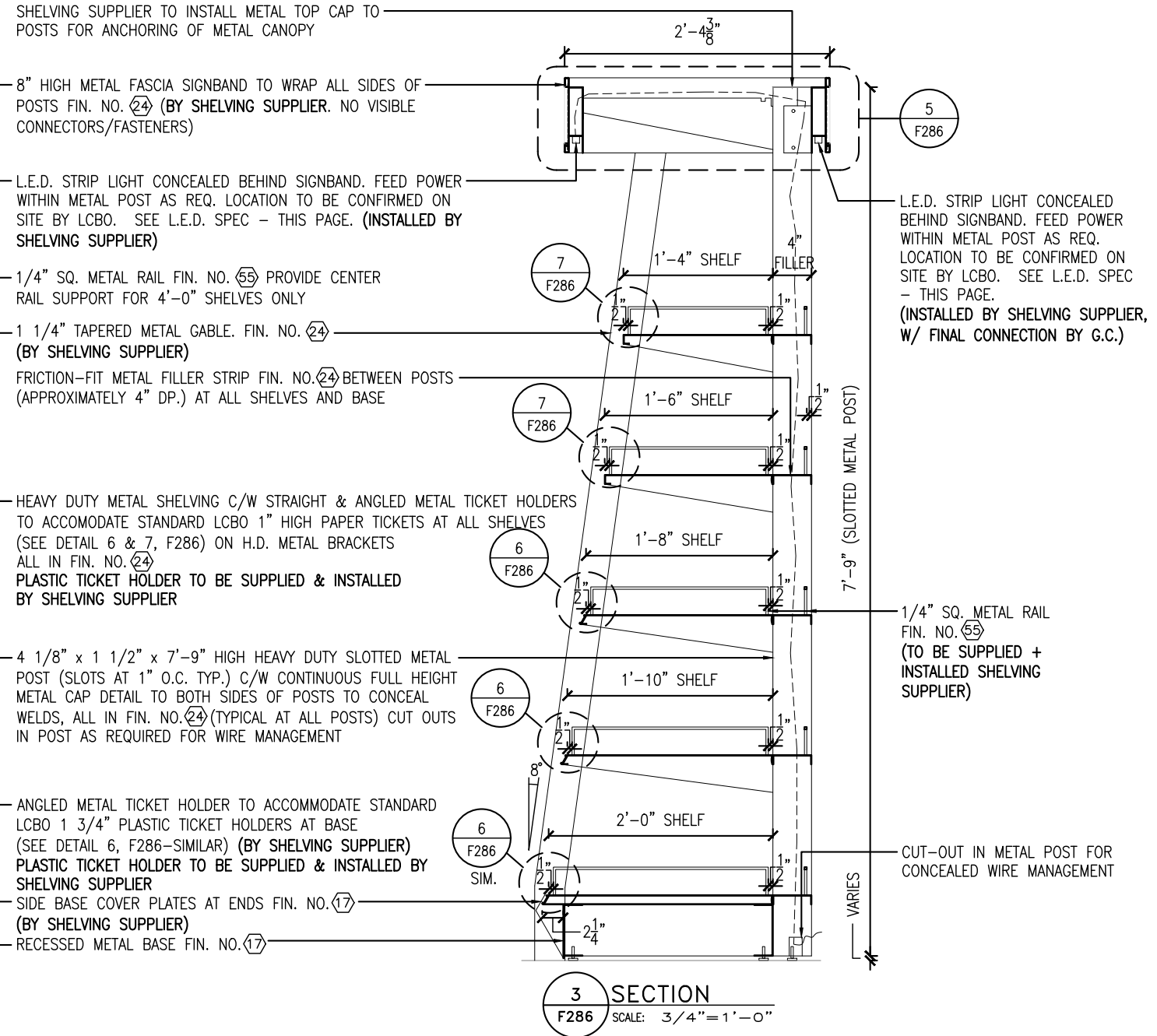
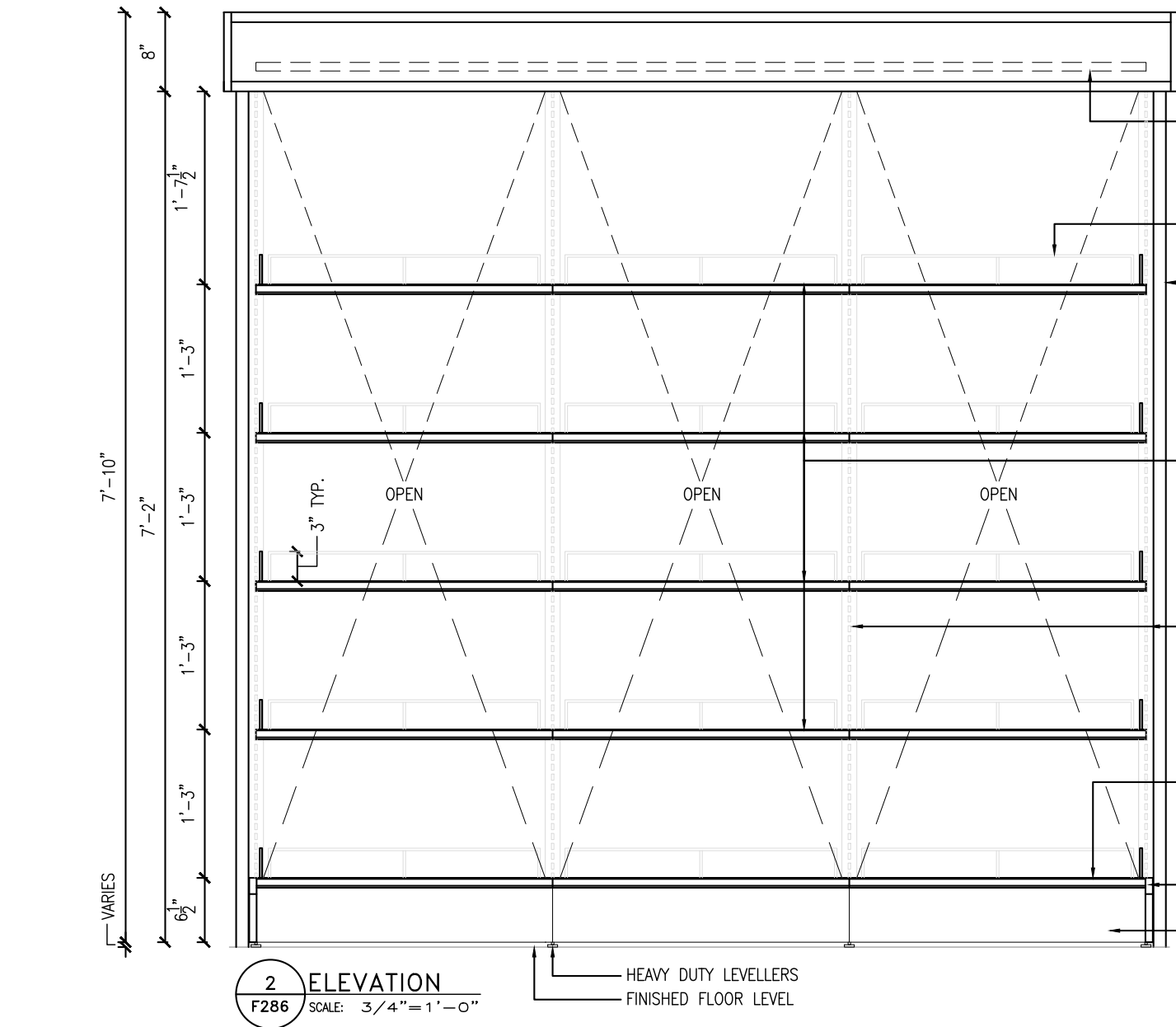
HEAVY DUTY METAL SHELVING C/W STRAIGHT & ANGLED METAL TICKET HOLDERS TO ACCOMMODATE STANDARD LCBO 1" HIGH PAPER TICKETS AT ALL SHELVES (SEE DETAIL 6 & 7, F286) ON H.D. METAL BRACKETS ALL IN FIN. NO. 24

PLASTIC TICKET HOLDER TO BE SUPPLIED & INSTALLED BY METAL SHELVING SUPPLIER

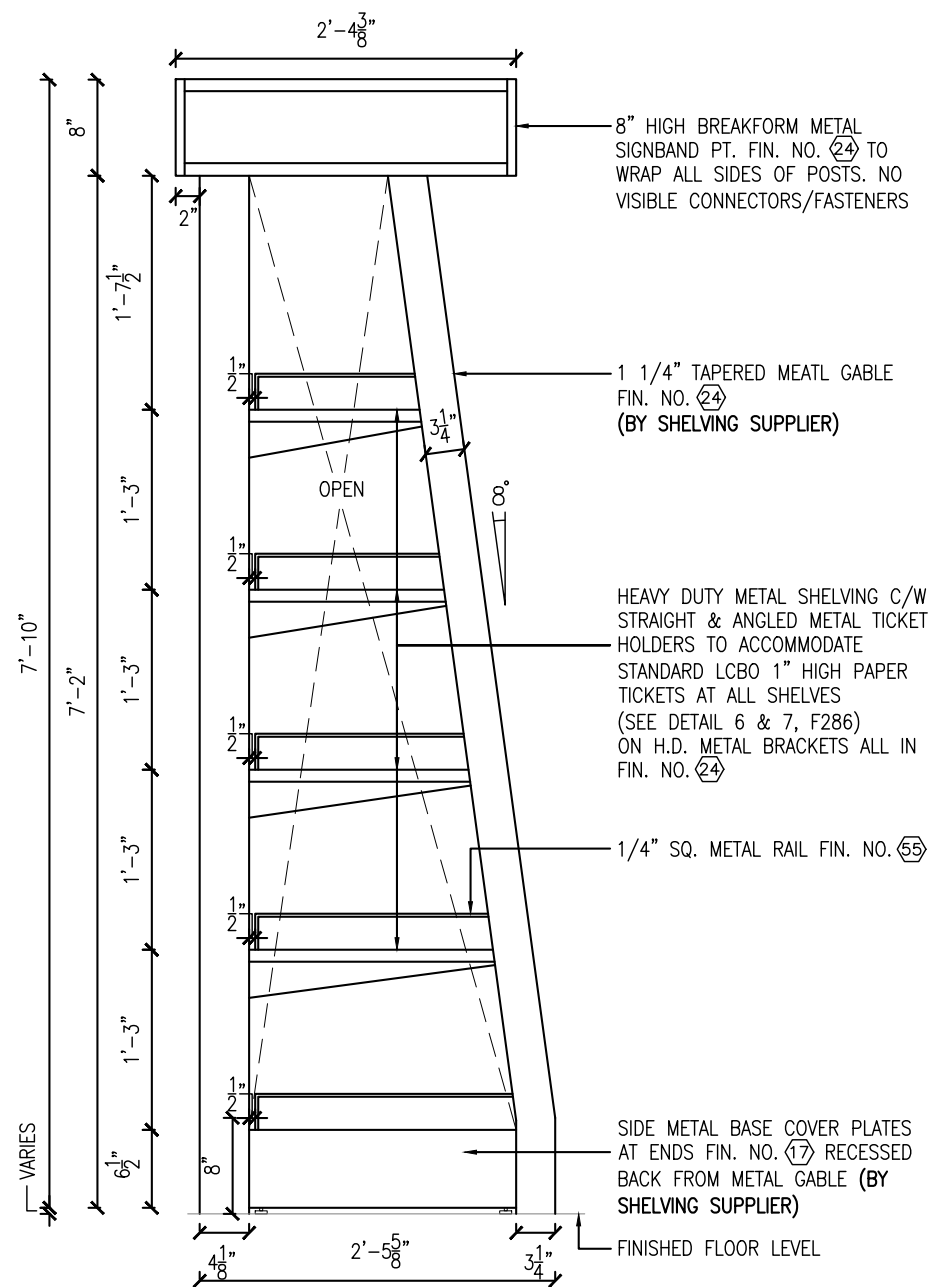
L.E.D. LIGHTSTRIPS:
PROVIDE LENGTH ACCORDING TO REQUIREMENTS OF FIXTURE LAYOUT. VARIES PER LOCATION, REFER TO PLAN FOR FIXTURE LAYOUT

L.E.D. LIGHTSTRIPS BY DELTALIGHT:
MODEL: FEMTOLINE 25 (FTL25)
PROFILE: 6 375 00 00
END CAP SET: 375 03 01
NL - FIXATION SET: 364 06 11
OUTPUT=15.1 WATTS/3 FT.
COLOUR TEMP. 3000°K
CONTACT: ROHAN PERIANA C: 416-457-6432

***ALL L.E.D. LIGHTING AND ASSOCIATED COMPONENTS TO BE SUPPLIED BY LCBO LIGHTING VENDOR & INSTALLED BY SHELVING SUPPLIER, FINAL CONNECTION BY G.C.'S ELECTRICAL SUBTRADE. ENSURE ALL WIRING/DRIVERS ARE CONCEALED FROM CUSTOMER'S VIEW.**



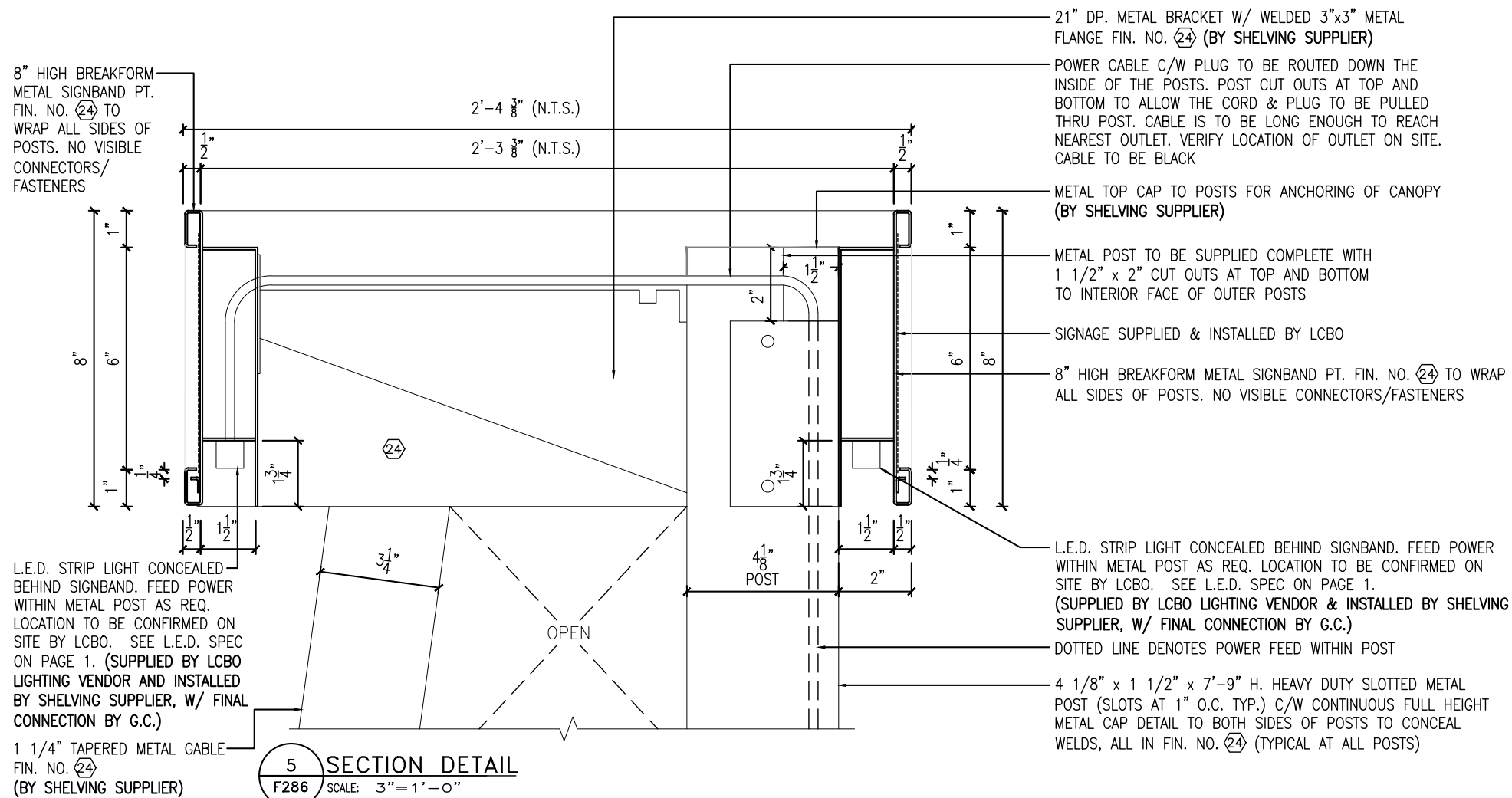
LCBO	200 - GENERAL LIST	REVISION DATE	REV.	1 of 2	ISSUE DATE	STORE TYPE	STORE #
	D/S GIFT/SPIRITS FIXTURE W/ MET. SHELVES & LEGS (ILLUMINATED) (7'-10" H.)	2021 MAR.	17	F286	2021 APR		



4 ELEVATION
F286 SCALE: 3/4" = 1'-0"

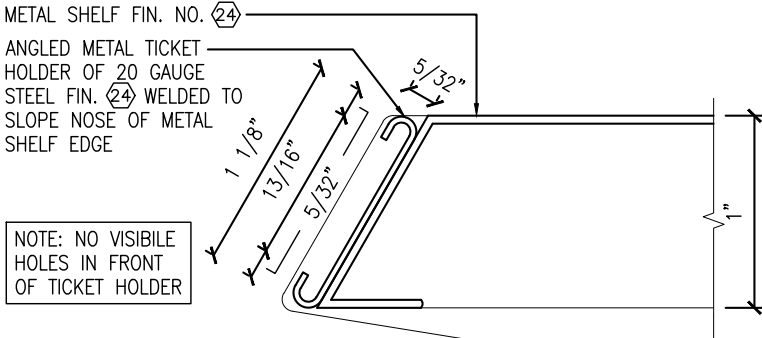
GENERAL NOTES:

1. ALL DIMENSIONS INDICATED FROM FINISH FLOOR ARE TAKEN FROM THE HIGHEST FINISHED FLOOR ELEVATION OF THAT FLOOR SYSTEM
2. DIMENSIONS SHOWN REFLECT SHELF AND BASE DIMENSIONS ONLY AND DO NOT TAKE METAL TICKET HOLDERS INTO ACCOUNT
3. ALL ADJUSTMENTS TO COMPENSATE FOR NON-LEVEL FLOOR SURFACES TO BE MADE AT BOTTOM END OF POST
4. SHELIVING SUPPLIER TO OBTAIN SIGNAGE SAMPLE FROM LCBO PRIOR TO FABRICATION TO ENSURE PROPER FIT OF SIGNAGE INSERT
5. G.C TO ENSURE ALL SHELVES ARE IN EXACT ALIGNMENT AND ARE TRUE AND LEVEL. PERFORATED SHELVES ARE ACCEPTABLE. SHELVES TO SUPPORT LOAD CAPACITY OF 500LBS
6. ALL METAL WORK TO BE GROUND AND SMOOTH. NO SHARP EDGES
7. BLACK PLASTIC 1 1/2" TICKET MOULDING WILL BE INSERTED TO METAL TICKET HOLDER
8. SUPPLIED BY SHELIVING SUPPLIER



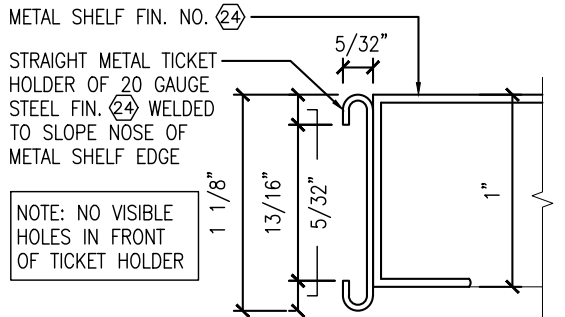
5 SECTION DETAIL
F286 SCALE: 3/4" = 1'-0"

NOTE:
ALL 1" METAL TICKET HOLDERS TO RECEIVE 1 3/4" PLASTIC TICKET HOLDER INSERT (TO BE SUPPLIED & INSTALLED BY SHELIVING SUPPLIER) TO SPAN LENGTH OF SHELF SECTION



NOTE: NO VISIBLE HOLES IN FRONT OF TICKET HOLDER

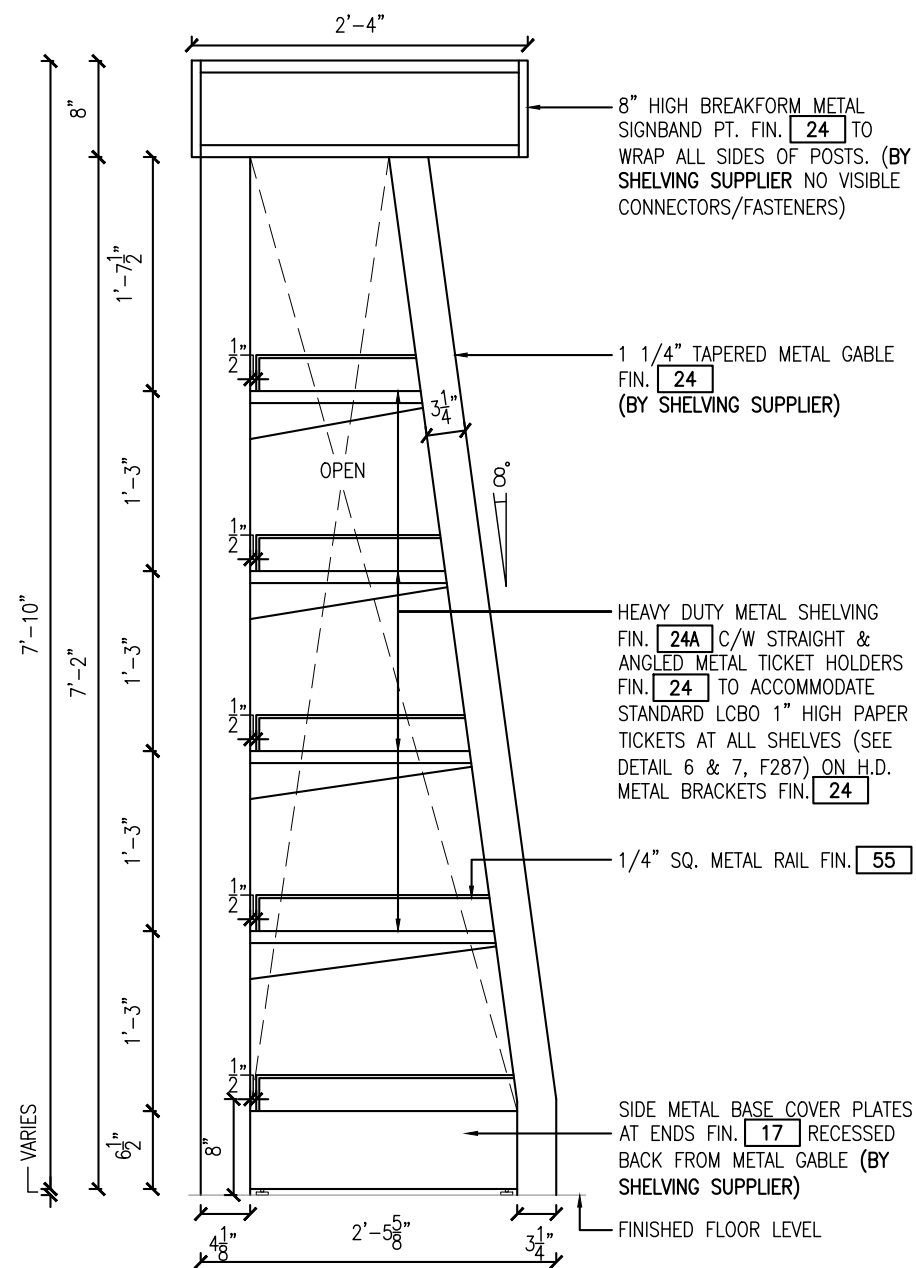
6 SECTION DETAIL
F286 SCALE: FULL SCALE



NOTE: NO VISIBLE HOLES IN FRONT OF TICKET HOLDER

7 SECTION DETAIL
F286 SCALE: FULL SCALE

LCBO	200 - GENERAL LIST	REVISION DATE	REV.	2 of 2	ISSUE DATE	STORE TYPE	STORE #
	D/S GIFT/SPIRITS FIXTURE W/ MET. SHELVES & LEGS (ILLUMINATED) (7'-10" H.)	2021 MAR.	17	F286	2021 APR		



NOTE:
ALL COMPONENTS SUPPLIED BY METAL SHELVING SUPPLIER INCLUDING TOP SIGNAGE CANOPY.

NOTE:
METAL SHELVING SUPPLIER TO ENSURE THAT FIXTURE IS CONSTRUCTED SO THAT LIGHT FIXTURES CAN BE SERVICED AND/OR REMOVED WITHOUT DISMANTLING FIXTURE

8" HIGH BREAKFORM METAL SIGNBAND PT. FIN. 24 TO WRAP ALL SIDES OF POSTS (BY SHELVING SUPPLIER NO VISIBLE CONNECTORS/FASTENERS)

1 1/4" TAPERED METAL GABLE FIN. 24 (BY SHELVING SUPPLIER)

HEAVY DUTY METAL SHELVING FIN. 24A C/W STRAIGHT & ANGLED METAL TICKET HOLDERS FIN. 24 TO ACCOMMODATE STANDARD LCBO 1" HIGH PAPER TICKETS AT ALL SHELVES (SEE DETAIL 6 & 7, F287) ON H.D. METAL BRACKETS FIN. 24

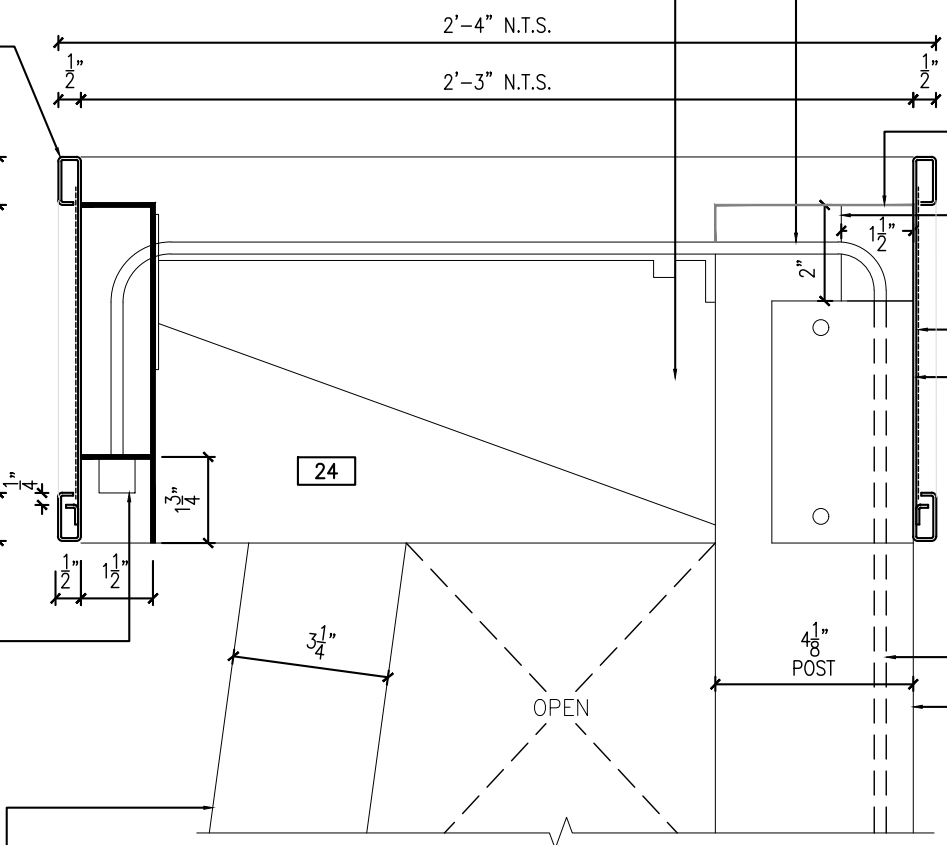
1/4" SQ. METAL RAIL FIN. 55

SIDE METAL BASE COVER PLATES AT ENDS FIN. 17 RECESSED BACK FROM METAL GABLE (BY SHELVING SUPPLIER)

FINISHED FLOOR LEVEL

L.E.D. STRIP LIGHT CONCEALED BEHIND SIGNBAND. FEED POWER WITHIN METAL POST AS REQ. LOCATION TO BE CONFIRMED ON SITE BY LCBO. SEE L.E.D. SPEC ON PAGE 1. (SUPPLIED BY LCBO LIGHTING VENDOR AND INSTALLED BY SHELVING SUPPLIER)

1 1/4" TAPERED METAL GABLE FIN. 24 (BY SHELVING SUPPLIER)



21" DP. METAL BRACKET W/ WELDED 3"x3" METAL FLANGE FIN. 24 (BY SHELVING SUPPLIER)

POWER CABLE C/W PLUG TO BE ROUTED DOWN THE INSIDE OF THE POSTS. POST CUT OUTS AT TOP AND BOTTOM TO ALLOW THE CORD & PLUG TO BE PULLED THRU POST. CABLE IS TO BE LONG ENOUGH TO REACH NEAREST OUTLET. VERIFY LOCATION OF OUTLET ON SITE. CABLE TO BE BLACK

METAL TOP CAP TO POSTS FOR ANCHORING OF CANOPY (BY SHELVING SUPPLIER)

METAL POST TO BE SUPPLIED COMPLETE WITH 1 1/2" x 2" CUT OUTS AT TOP AND BOTTOM TO INTERIOR FACE OF OUTER POSTS

SIGNAGE INSERT SUPPLIED & INSTALLED BY LCBO

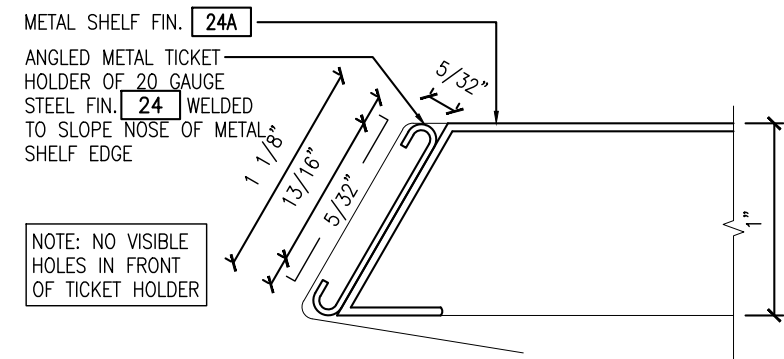
8" HIGH BREAKFORM METAL SIGNBAND PT. FIN. 24 TO WRAP ALL SIDES OF POSTS (BY SHELVING SUPPLIER NO VISIBLE CONNECTORS/FASTENERS)

DOTTED LINE DENOTES POWER FEED WITHIN POST

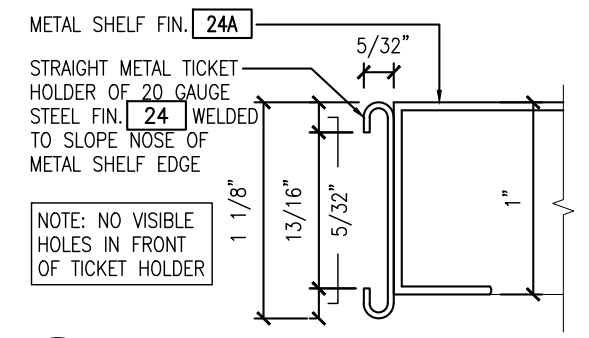
4 1/8" x 1 1/2" x 7'-9" H. HEAVY DUTY SLOTTED METAL POST (SLOTS AT 1" O.C. TYP.) C/W CONTINUOUS FULL HEIGHT METAL CAP DETAIL TO BOTH SIDES OF POSTS TO CONCEAL WELDS, ALL IN FIN. 24 (TYPICAL AT ALL POSTS)

5 SECTION DETAIL
F287 SCALE: 3"=1'-0"

NOTE:
ALL 1" METAL TICKET HOLDERS TO RECEIVE 1 3/4" PLASTIC TICKET HOLDER INSERT TO SPAN LENGTH OF SHELF SECTION
NOTE: PLASTIC TICKET HOLDER TO BE SUPPLIED & INSTALLED BY SHELVING SUPPLIER



6 SECTION DETAIL
F287 SCALE: FULL SCALE



7 SECTION DETAIL
F287 SCALE: FULL SCALE

4 ELEVATION
F287 SCALE: 3/4"=1'-0"

- GENERAL NOTES:
1. ALL DIMENSIONS INDICATED FROM FINISH FLOOR ARE TAKEN FROM THE HIGHEST FINISHED FLOOR ELEVATION OF THAT FLOOR SYSTEM
 2. DIMENSIONS SHOWN REFLECT SHELF AND BASE DIMENSIONS ONLY AND DO NOT TAKE METAL TICKET HOLDERS INTO ACCOUNT
 3. ALL ADJUSTMENTS TO COMPENSATE FOR NON-LEVEL FLOOR SURFACES TO BE MADE AT BOTTOM END OF POST
 4. SHELVING SUPPLIER TO OBTAIN SIGNAGE SAMPLE FROM LCBO PRIOR TO FABRICATION TO ENSURE PROPER FIT OF SIGNAGE INSERT
 5. G.C TO ENSURE ALL SHELVES ARE IN EXACT ALIGNMENT AND ARE TRUE AND LEVEL. PERFORATED SHELVES ARE ACCEPTABLE. SHELVES TO SUPPORT LOAD CAPACITY OF 500LBS
 6. ALL METAL WORK TO BE GROUND AND SMOOTH. NO SHARP EDGES
 7. BLACK PLASTIC 1 3/4" TICKET MOULDING WILL BE INSERTED TO METAL TICKET HOLDER
 8. SUPPLIED BY SHELVING SUPPLIER

LCBO	B200 GENERAL LIST	REVISION DATE	REV.	2 of 2	ISSUE DATE	STORE TYPE	STORE #
	DOUBLE SIDED GIFT/SPIRITS FIXTURE W/ FRONT LED CANOPY ILLUMINATION (7'-10" H.)	2021 MAR.	02	F287	2021 APR		

ITEM	NO PRODUIT	DESCRIPTION	QTÉ À Fournir
1	042-8041513AD-01	Trappe en acier	2
2	042-804361518A-01	Présentoir d'acier perforé sur 2 faces	1
3	042-804361518B	Porte de verre	2
4	109ADH700	FEUTRE ROND ADH. VERT 1/2" DIA.	4
5	109CLE990	Clé Allen en "L"	2
6	109MOU300	MOULURE 3" POUR LE VERRE	4
7	109ROU300	ROUES POUR PORTES COULISSANTES	8
8	109SER850	SERRURE INVUE #L410(PL801)	1
9	109SER851	PLAQUE DE SERRURE INVUE #L410(PL820-1)	1
10	118VIS990	Vis de sécurité	8
11	143ECR201	ECROUS "A H INSERT" 1/4"-20 - HEXAGONE 25/64"	8
12	ALLY01-17 9/16"	COULISSE DE PORTE COUPÉE DE LONGUEUR	2
13	ALMA06-13 1/8"	COULISSE COUPÉE DE LONGUEUR AVEC RUBAN 2 FACES	2
14	ALMA06-34 1/4"	COULISSE COUPÉE DE LONGUEUR AVEC RUBAN 2 FACES	1
15	ALNA05-34 1/4"	COULISSE HAUT COUPÉE DE LONGUEUR, RUBAN 2 FACES	1
16	SGD14	BLOC DE SECURITE POUR PORTE SHOWCASE DE 36"	2
17	109SER850-PROG	Instruction serrure	1

No. de plan: **042-804361518-01**

Description:
Présentoir de métal avec portes de verre

Notes générales:

W:\dessin\042\

Fabrication: **Bois**

COLOUR: 16A

Poids: **14.08789 Lbs**

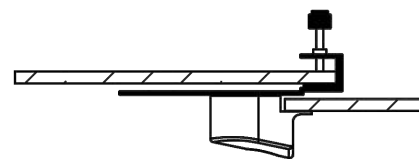
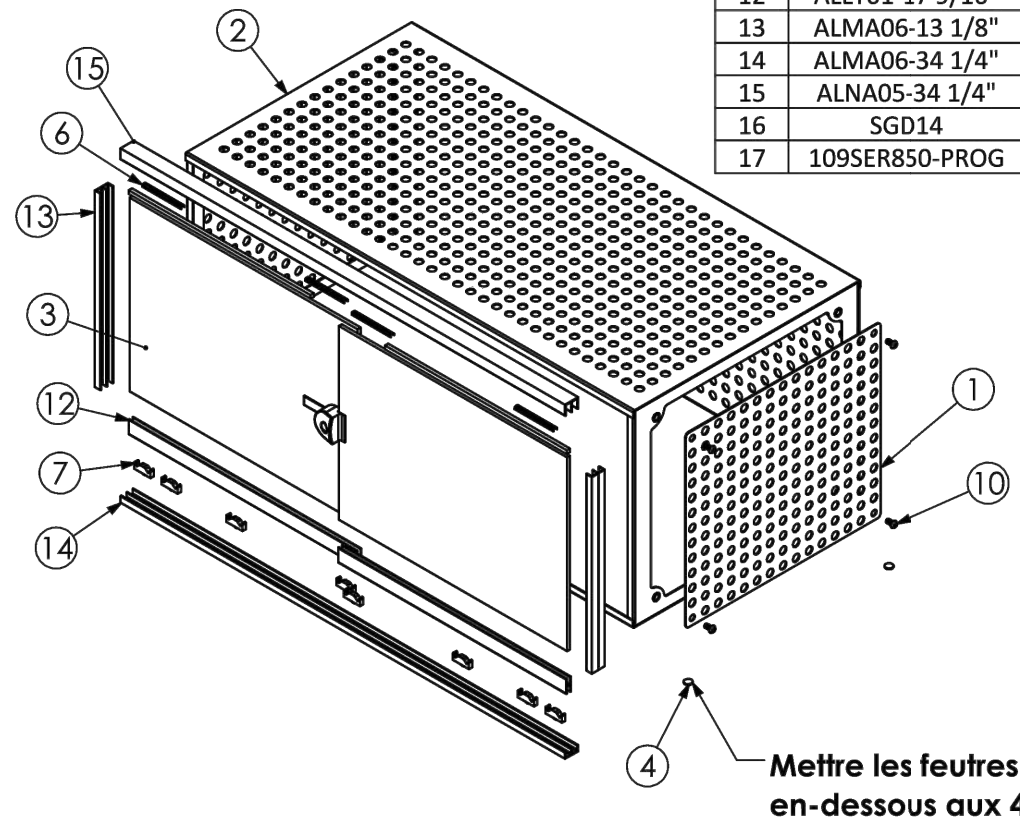
Tolérances
Fractions: ±1/16" Angles: ±1°

Auteur: **Dany B.** Date: **18-06-19**

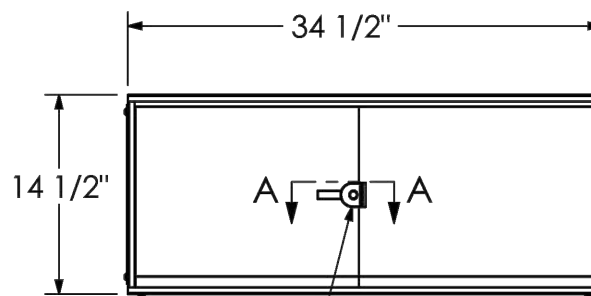
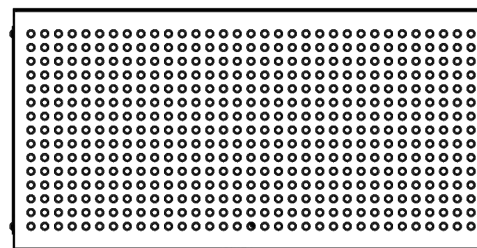
Vérifié par: **Dany N.** Date: **18-06-19**

Les informations contenues dans ce dessin sont la propriété exclusive de Vic Store Fixtures. Toute copie ou changement sans consentement écrit est interdit.
All the information contained in this drawing is the sole property of Vic Store Fixtures. Any reproduction or change without written notice is prohibited.

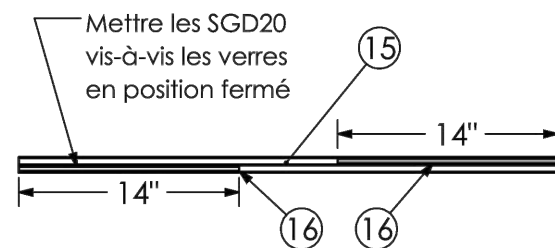
Page 1 de 1



COUPE A-A



Installer la plaque et la serrure au centrée en hauteur

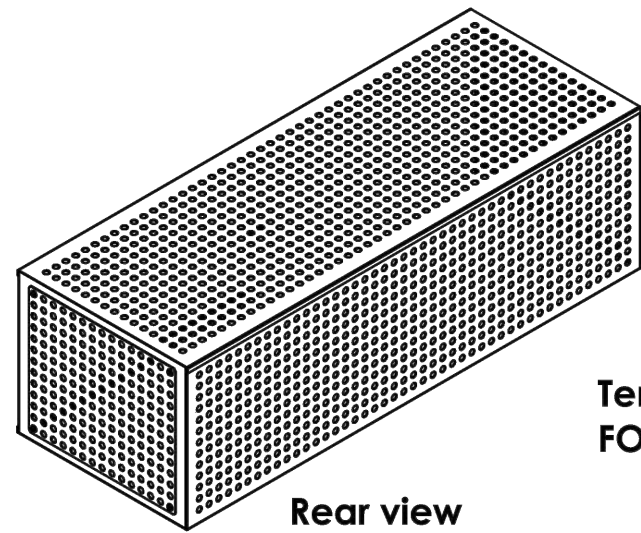


Mettre les SGD20 vis-à-vis les verres en position fermé

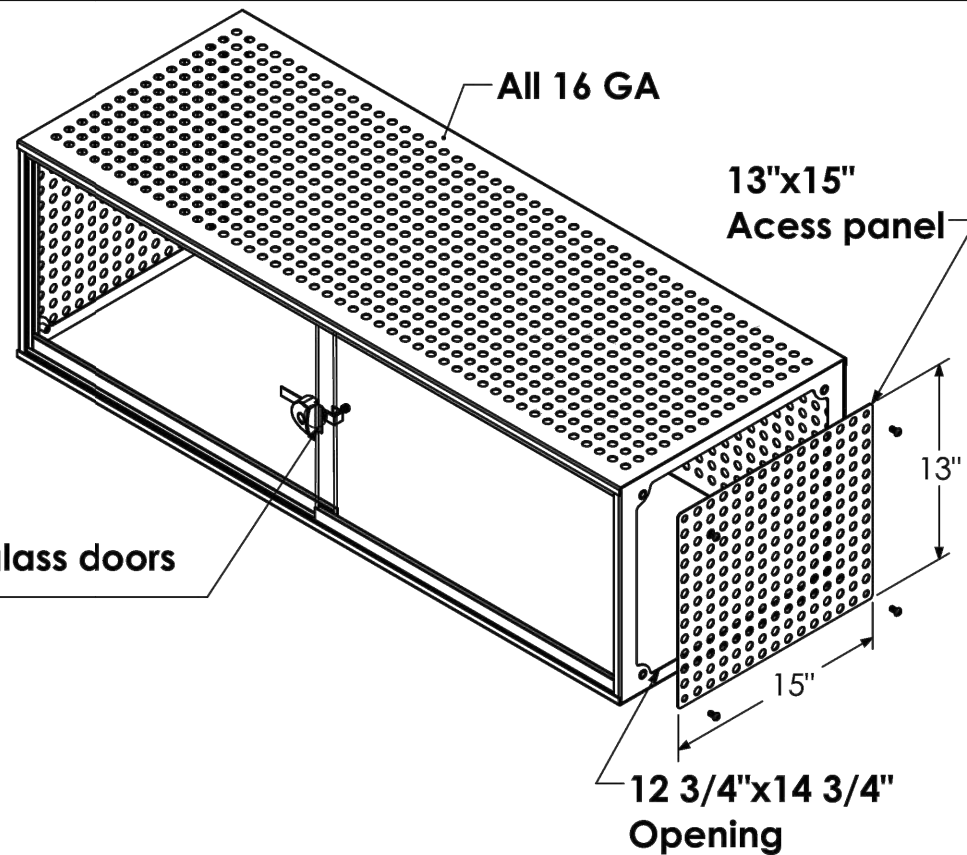
Mettre les feutres en-dessous aux 4 coins

COULISSE DU HAUT VUE DE DESSOUS

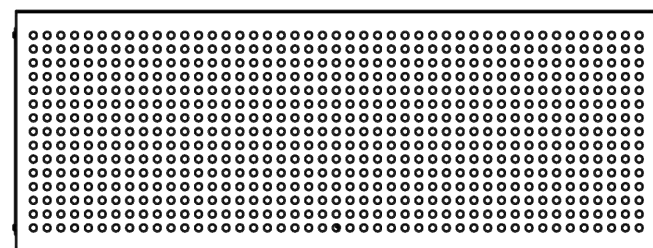
LCBO	F200 - GENERAL LIST	REVISION DATE	REV.	1 of 1	ISSUE DATE	STORE TYPE	STORE #
	INLINE ON SHELF LOCKABLE - 3'-0"L	2021 MAR	17	F288	2021 APR		



Rear view



Tempered glass doors
FOB lock

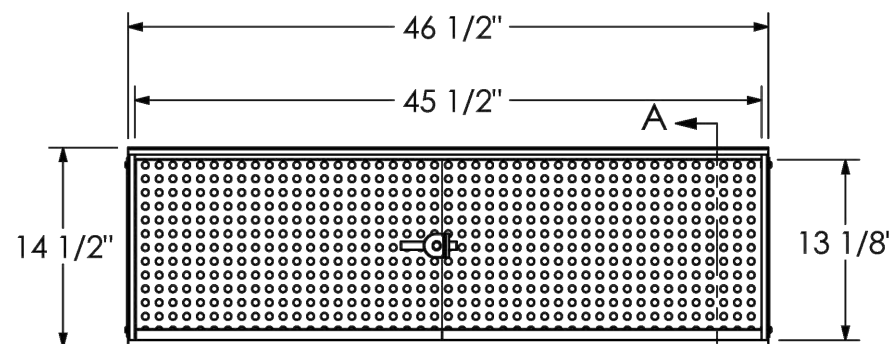


Top view

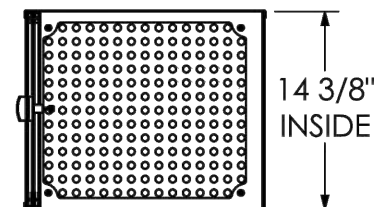
Access panel with security screws and tool supply with the showcase



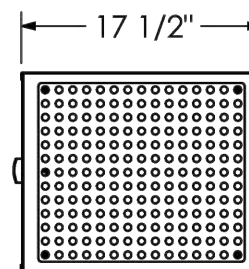
Tamper-Resistant Torx



Front view



SECTION A-A



Side view

No. de plan:
042-804481518-01

Description:
**FREESTANDING
LOCKABLE SHOWCASE**

Notes générales:

W:\dessin\042\

Fabrication:

Access panels are on both ends

Units come in both 3' and 4' versions and come in both black and off-white.

COLOUR: 16A

Poids: 18.46477 Lbs

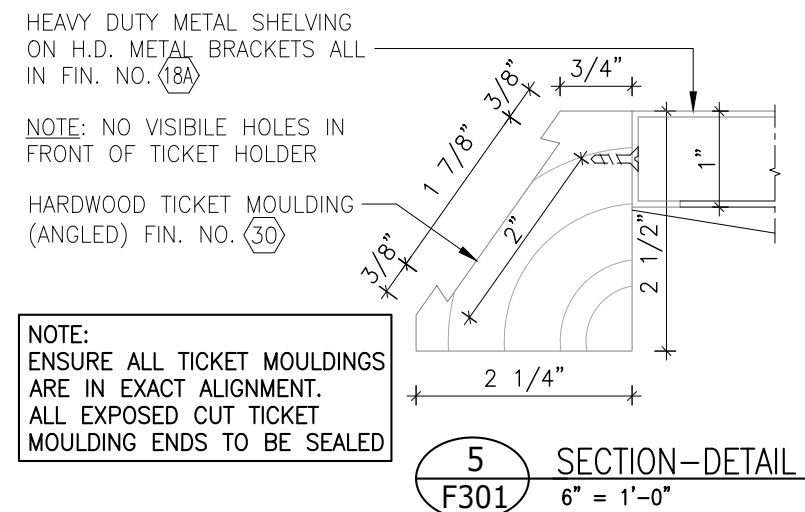
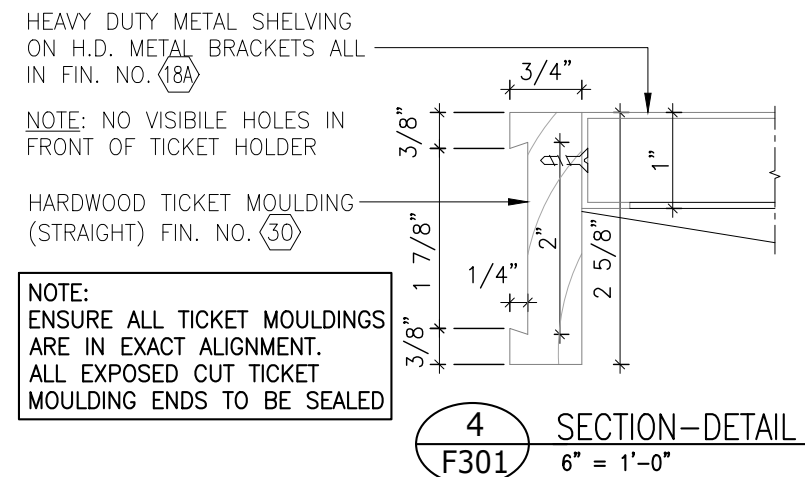
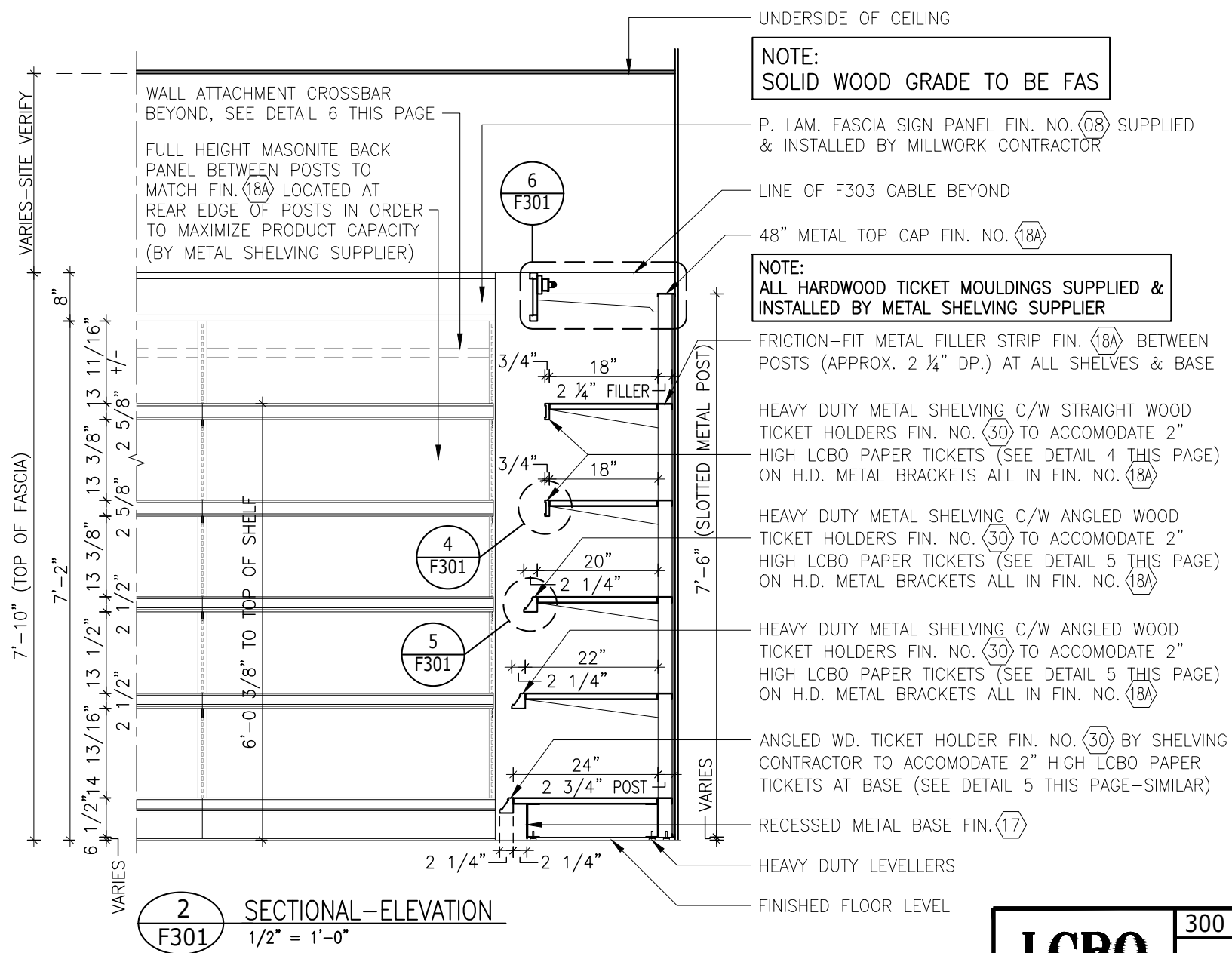
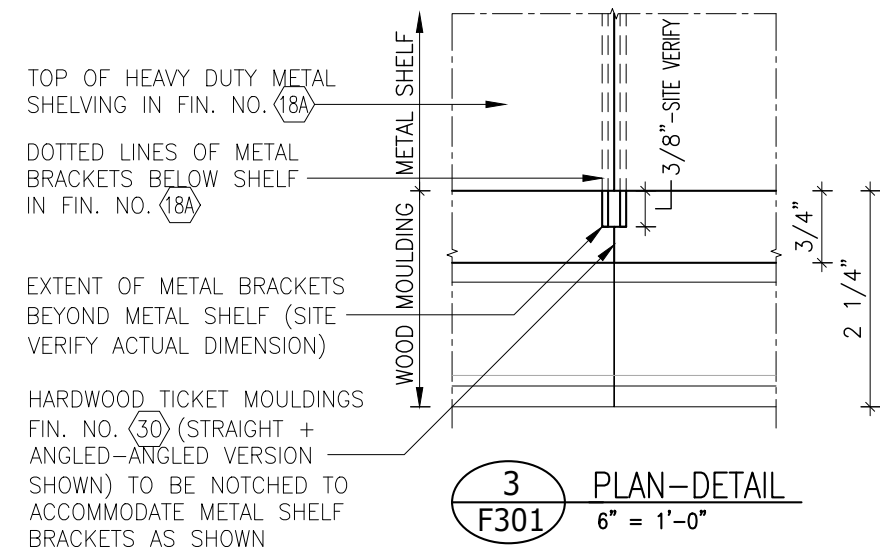
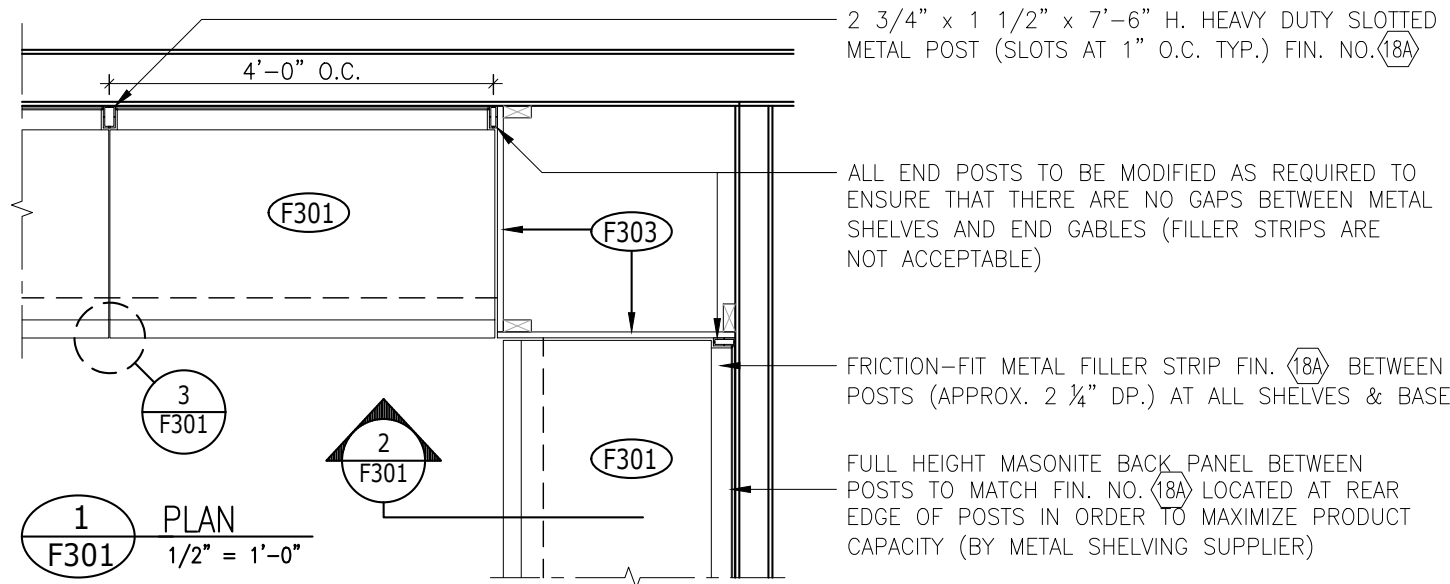
Tolérances
Fractions: ±1/16" Angles: ±1°

Auteur: Dany B. Date: 21-11-18

Vérifié par:

Les informations contenues dans ce dessin sont la propriété exclusive de Vic Store Fixtures. Toute copie ou changement sans consentement écrit est interdit.
All the information contained in this drawing is the sole property of Vic Store Fixtures. Any reproduction or change without written notice is prohibited.

Page 1 de 1



LCBO

300 VINTAGES

48" VINTAGES PERIMETER METAL SHELVING UNIT C/W FASCIA PANEL

REVISION DATE
2017 NOV

REV.
15

1 of 2
F301

ISSUE DATE
2021 APR

STORE TYPE

STORE #

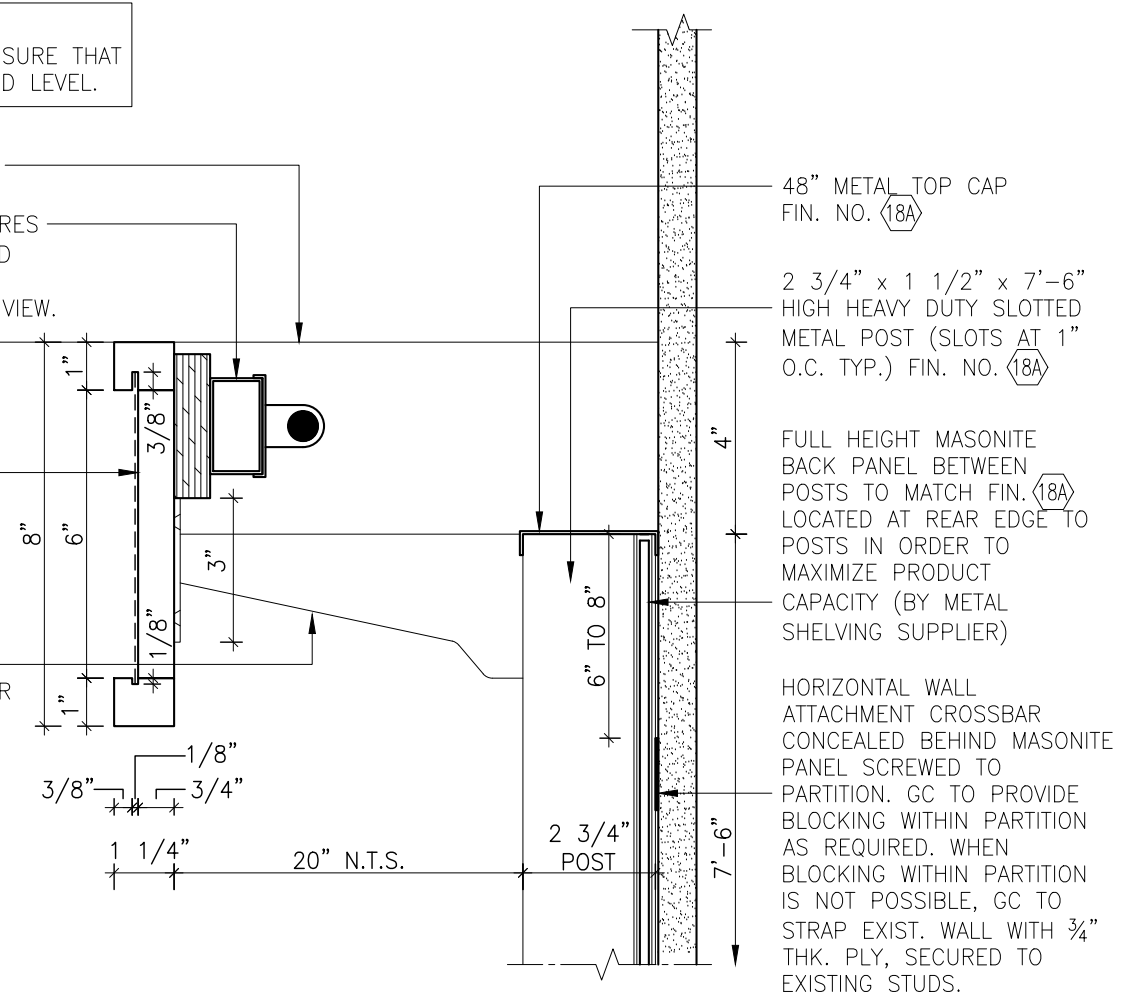
NOTE:
MILLWORK CONTRACTOR TO ENSURE THAT
WOOD SIGN BAND IS TRUE AND LEVEL.

LINE OF F303 GABLE BEYOND

T5 FLUORESCENT LIGHT FIXTURES
MOUNTED TO A 3/4" PLYWOOD
STRIP. ALL POWER FEEDS
CONCEALED FROM CUSTOMER VIEW.

P.LAM FASCIA SIGN PANEL
FIN. NO. (08) SUPPLIED
AND INSTALLED BY
MILLWORK CONTRACTOR
WITH AS FEW SEAMS AS
POSSIBLE (i.e. MINIMUM
8'-0" LENGTHS EXCEPT
AT END RUNS AS REQ'D.

20" METAL BRACKET W/
WELDED 3" X 3" METAL
FLANGE BY SHELVING SUPPLIER
ALL IN FIN. NO.



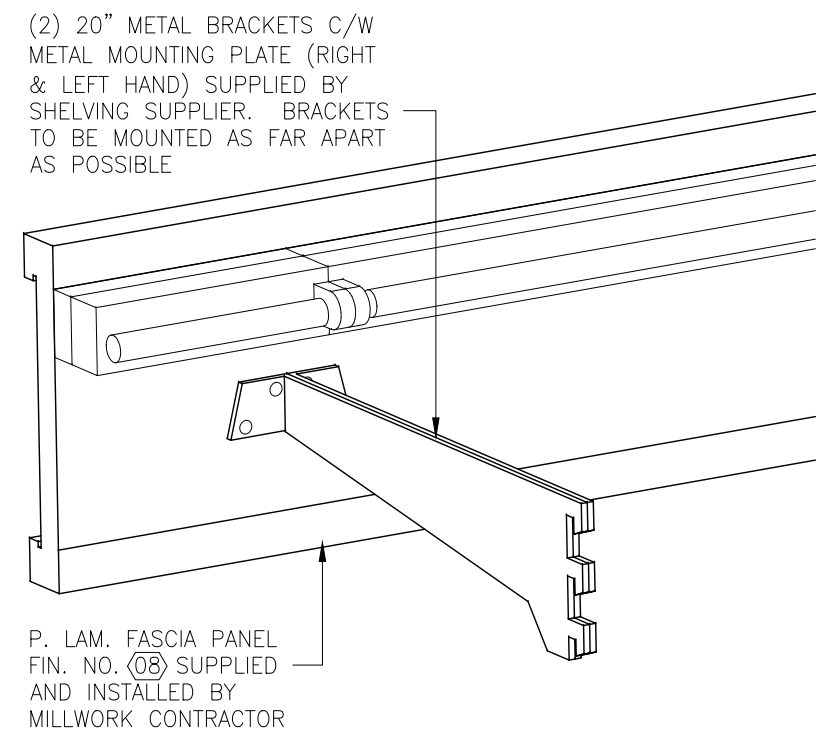
48" METAL TOP CAP
FIN. NO. (18A)

2 3/4" x 1 1/2" x 7'-6"
HIGH HEAVY DUTY SLOTTED
METAL POST (SLOTS AT 1"
O.C. TYP.) FIN. NO. (18A)

FULL HEIGHT MASONITE
BACK PANEL BETWEEN
POSTS TO MATCH FIN. (18A)
LOCATED AT REAR EDGE TO
POSTS IN ORDER TO
MAXIMIZE PRODUCT
CAPACITY (BY METAL
SHELVING SUPPLIER)

HORIZONTAL WALL
ATTACHMENT CROSSBAR
CONCEALED BEHIND MASONITE
PANEL SCREWED TO
PARTITION. GC TO PROVIDE
BLOCKING WITHIN PARTITION
AS REQUIRED. WHEN
BLOCKING WITHIN PARTITION
IS NOT POSSIBLE, GC TO
STRAP EXIST. WALL WITH 3/4"
THK. PLY, SECURED TO
EXISTING STUDS.

6 DETAIL
F301 3" = 1'-0"



(2) 20" METAL BRACKETS C/W
METAL MOUNTING PLATE (RIGHT
& LEFT HAND) SUPPLIED BY
SHELVING SUPPLIER. BRACKETS
TO BE MOUNTED AS FAR APART
AS POSSIBLE

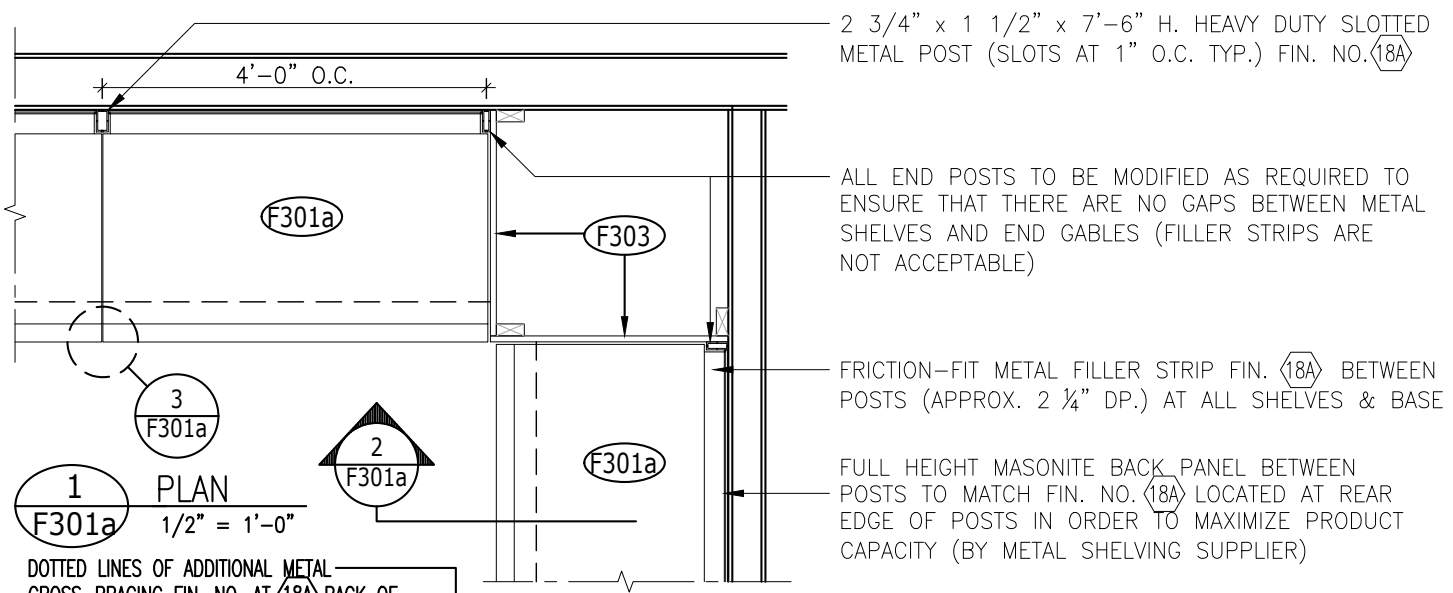
P. LAM. FASCIA PANEL
FIN. NO. (08) SUPPLIED
AND INSTALLED BY
MILLWORK CONTRACTOR

7 SIGN BAND MOUNTING ISOMETRIC
F301 N.T.S.

GENERAL NOTES

- DIMENSIONS SHOWN REFLECT SHELF & BASE DIMENSIONS ONLY & DO NOT TAKE TICKET HOLDERS INTO ACCOUNT, UNLESS SPECIFICALLY NOTED
- ALL ADJUSTMENTS TO COMPENSATE FOR NON-LEVEL FLOOR SURFACES TO BE MADE AT BOTTOM END OF POST
- GC TO CO-ORDINATE MILLWORK + METAL SHELF INSTALLATION
- T5 FLUORESCENT LIGHT FIXTURES TO BE SUPPLIED & INSTALLED BY G.C.
- GC RESPONSIBLE FOR INSTALLATION OF WALL STRAPPING AS REQ'D.
- MILLWORK CONTRACTOR TO OBTAIN SIGNAGE SAMPLE FROM LCBO PRIOR TO FABRICATION TO ENSURE PROPER FIT OF SIGNAGE INSERT
- SHELVING SUPPLIER TO OBTAIN 2" HIGH PAPER TICKET SAMPLE FROM LCBO PRIOR TO FABRICATION TO ENSURE PROPER FIT WITHIN TICKET MOULDING. SUBMIT SAMPLE FOR APPROVAL
- GC TO ENSURE ALL SHELVES ARE IN EXACT ALIGNMENT AND ARE TRUE & LEVEL. PERFORATED SHELVES ARE ACCEPTABLE. SHELVES TO SUPPORT LOAD CAPACITY OF 500LBS
- ALL END POSTS TO BE MODIFIED AS REQUIRED TO ENSURE THAT THERE ARE NO GAPS BETWEEN METAL SHELVES AND END GABLES (FILLER STRIPS ARE NOT ACCEPTABLE)

LCBO	300 VINTAGES	REVISION DATE	REV.	2 of 2	ISSUE DATE	STORE TYPE	STORE #
	48" VINTAGES PERIMETER METAL SHELVING UNIT C/W FASCIA PANEL	2021 MAR	17	F301	2021 APR		

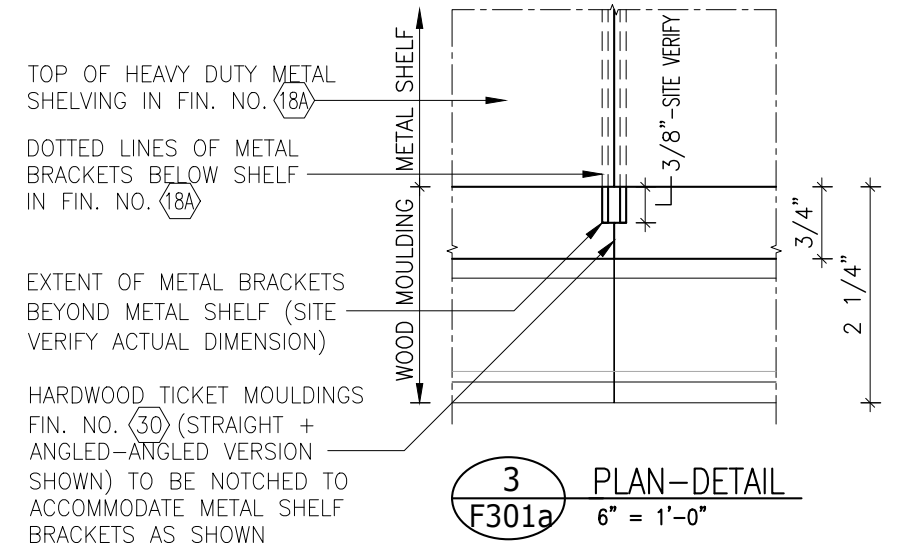


2 3/4" x 1 1/2" x 7'-6" H. HEAVY DUTY SLOTTED METAL POST (SLOTS AT 1" O.C. TYP.) FIN. NO. (18A)

ALL END POSTS TO BE MODIFIED AS REQUIRED TO ENSURE THAT THERE ARE NO GAPS BETWEEN METAL SHELVES AND END GABLES (FILLER STRIPS ARE NOT ACCEPTABLE)

FRICTION-FIT METAL FILLER STRIP FIN. (18A) BETWEEN POSTS (APPROX. 2 1/4" DP.) AT ALL SHELVES & BASE

FULL HEIGHT MASONITE BACK PANEL BETWEEN POSTS TO MATCH FIN. NO. (18A) LOCATED AT REAR EDGE OF POSTS IN ORDER TO MAXIMIZE PRODUCT CAPACITY (BY METAL SHELVING SUPPLIER)



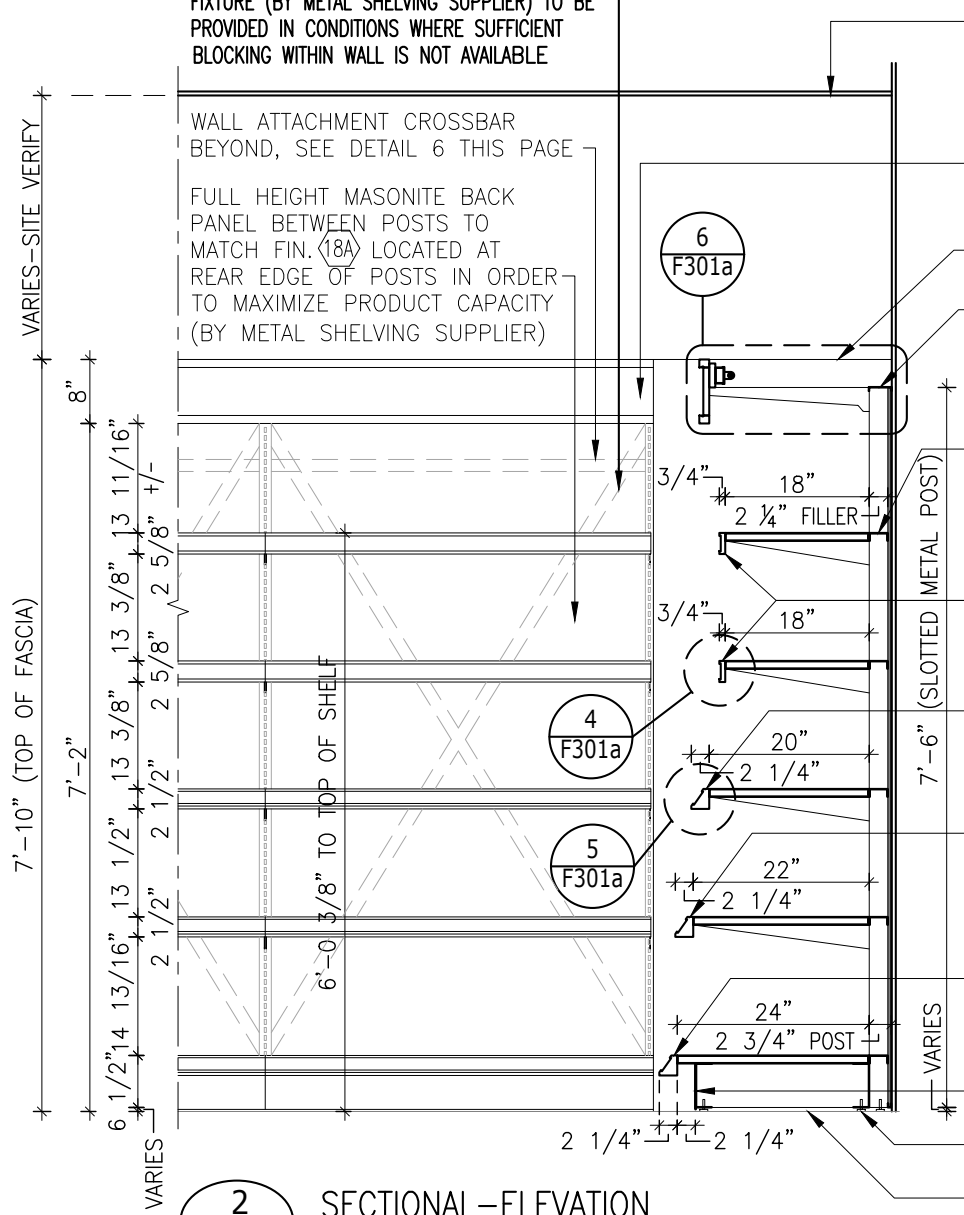
TOP OF HEAVY DUTY METAL SHELVING IN FIN. NO. (18A)

DOTTED LINES OF METAL BRACKETS BELOW SHELF IN FIN. NO. (18A)

EXTENT OF METAL BRACKETS BEYOND METAL SHELF (SITE VERIFY ACTUAL DIMENSION)

HARDWOOD TICKET MOULDINGS FIN. NO. (30) (STRAIGHT + ANGLED-ANGLED VERSION SHOWN) TO BE NOTCHED TO ACCOMMODATE METAL SHELF BRACKETS AS SHOWN

3 PLAN-DETAIL F301a 6" = 1'-0"



UNDERSIDE OF CEILING

NOTE: SOLID WOOD GRADE TO BE FAS

P. LAM. FASCIA SIGN PANEL FIN. NO. (08) SUPPLIED & INSTALLED BY MILLWORK CONTRACTOR

LINE OF F303 GABLE BEYOND

48" METAL TOP CAP FIN. NO. (18A)

NOTE: ALL HARDWOOD TICKET MOULDINGS SUPPLIED & INSTALLED BY METAL SHELVING SUPPLIER

FRICTION-FIT METAL FILLER STRIP FIN. (18A) BETWEEN POSTS (APPROX. 2 1/4" DP.) AT ALL SHELVES & BASE

HEAVY DUTY METAL SHELVING C/W STRAIGHT WOOD TICKET HOLDERS FIN. NO. (30) TO ACCOMMODATE 2" HIGH LCBO PAPER TICKETS (SEE DETAIL 4 THIS PAGE) ON H.D. METAL BRACKETS ALL IN FIN. NO. (18A)

HEAVY DUTY METAL SHELVING C/W ANGLED WOOD TICKET HOLDERS FIN. NO. (30) TO ACCOMMODATE 2" HIGH LCBO PAPER TICKETS (SEE DETAIL 5 THIS PAGE) ON H.D. METAL BRACKETS ALL IN FIN. NO. (18A)

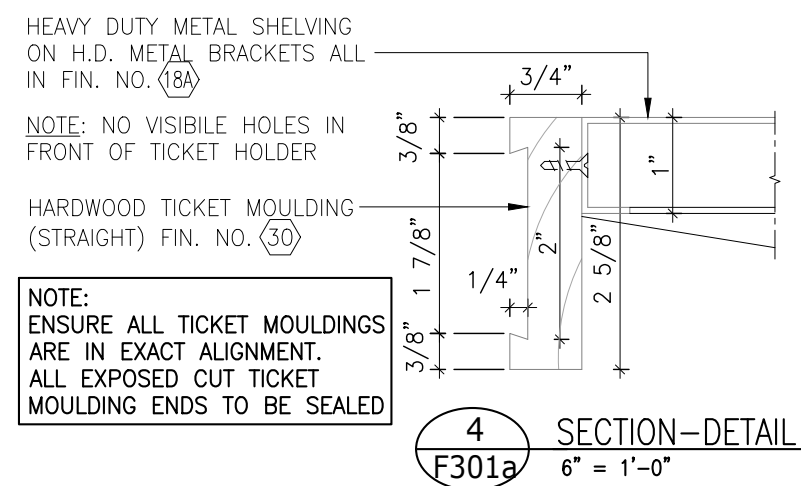
HEAVY DUTY METAL SHELVING C/W ANGLED WOOD TICKET HOLDERS FIN. NO. (30) TO ACCOMMODATE 2" HIGH LCBO PAPER TICKETS (SEE DETAIL 5 THIS PAGE) ON H.D. METAL BRACKETS ALL IN FIN. NO. (18A)

ANGLED WD. TICKET HOLDER FIN. NO. (30) BY SHELVING CONTRACTOR TO ACCOMMODATE 2" HIGH LCBO PAPER TICKETS AT BASE (SEE DETAIL 5 THIS PAGE-SIMILAR)

RECESSED METAL BASE FIN. (17)

HEAVY DUTY LEVELLERS

FINISHED FLOOR LEVEL



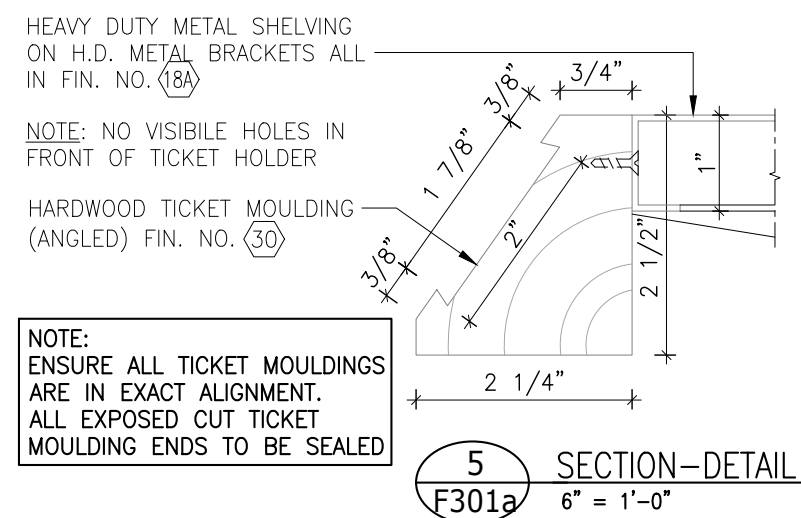
HEAVY DUTY METAL SHELVING ON H.D. METAL BRACKETS ALL IN FIN. NO. (18A)

NOTE: NO VISIBLE HOLES IN FRONT OF TICKET HOLDER

HARDWOOD TICKET MOULDING (STRAIGHT) FIN. NO. (30)

NOTE: ENSURE ALL TICKET MOULDINGS ARE IN EXACT ALIGNMENT. ALL EXPOSED CUT TICKET MOULDING ENDS TO BE SEALED

4 SECTION-DETAIL F301a 6" = 1'-0"



HEAVY DUTY METAL SHELVING ON H.D. METAL BRACKETS ALL IN FIN. NO. (18A)

NOTE: NO VISIBLE HOLES IN FRONT OF TICKET HOLDER

HARDWOOD TICKET MOULDING (ANGLED) FIN. NO. (30)

NOTE: ENSURE ALL TICKET MOULDINGS ARE IN EXACT ALIGNMENT. ALL EXPOSED CUT TICKET MOULDING ENDS TO BE SEALED

5 SECTION-DETAIL F301a 6" = 1'-0"

LCBO	300 VINTAGES	REVISION DATE	REV.	1 of 2	ISSUE DATE	STORE TYPE	STORE #
	48" VINTAGES PERIMETER METAL SHELVING UNIT C/W FASCIA PANEL & METAL CROSS BRACING	2021 MAR	17	F301a	2021 APR		

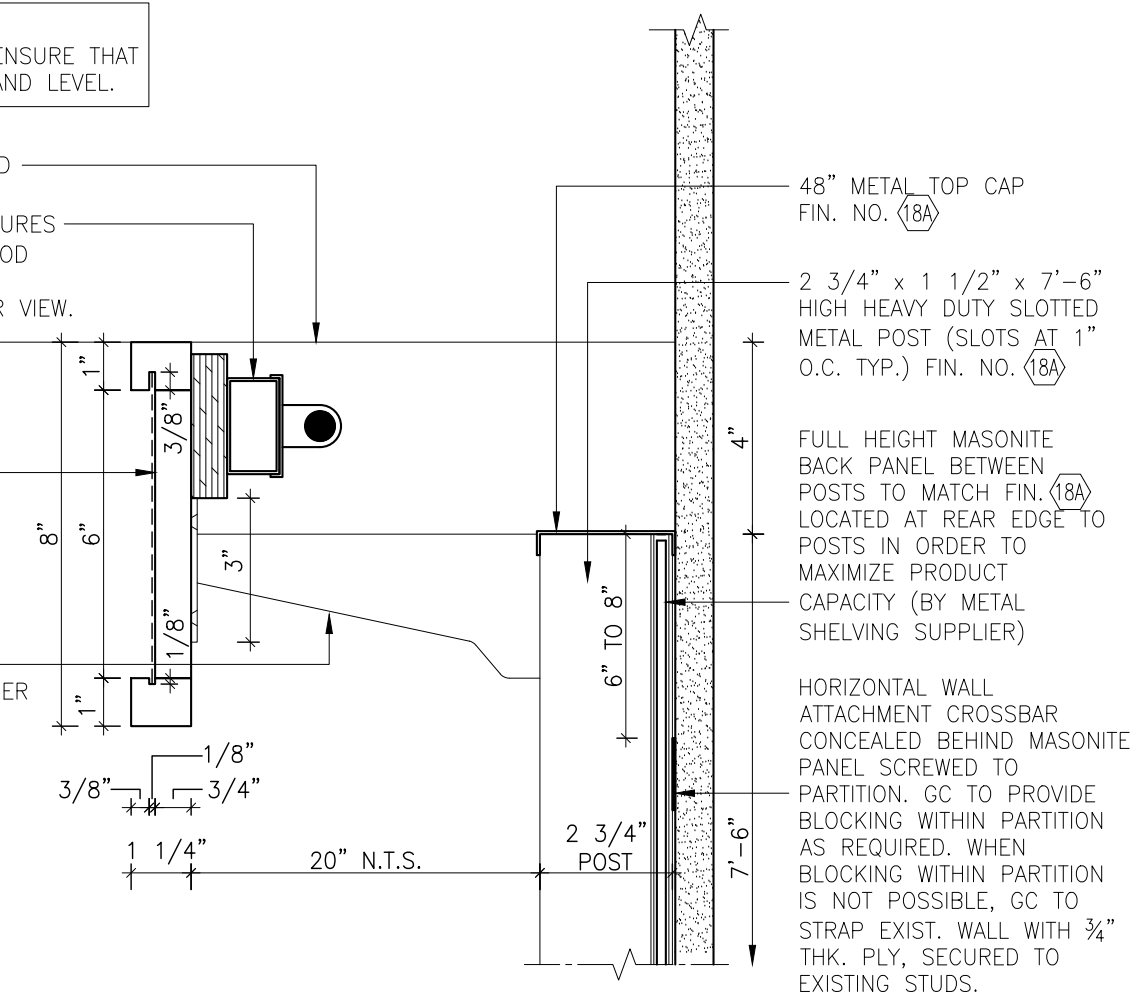
NOTE:
MILLWORK CONTRACTOR TO ENSURE THAT
WOOD SIGN BAND IS TRUE AND LEVEL.

LINE OF F303 GABLE BEYOND

T5 FLUORESCENT LIGHT FIXTURES
MOUNTED TO A 3/4" PLYWOOD
STRIP. ALL POWER FEEDS
CONCEALED FROM CUSTOMER VIEW.

P.LAM FASCIA SIGN PANEL
FIN. NO. (08) SUPPLIED
AND INSTALLED BY
MILLWORK CONTRACTOR
WITH AS FEW SEAMS AS
POSSIBLE (i.e. MINIMUM
8'-0" LENGTHS EXCEPT
AT END RUNS AS REQ'D.

20" METAL BRACKET W/
WELDED 3" X 3" METAL
FLANGE BY SHELVING SUPPLIER
ALL IN FIN. NO.



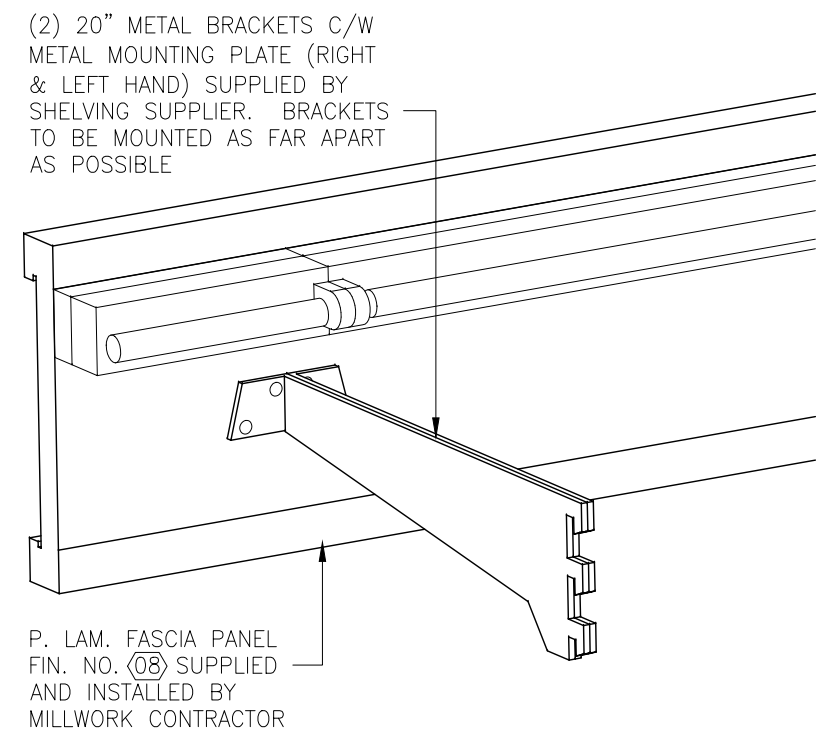
48" METAL TOP CAP
FIN. NO. (18A)

2 3/4" x 1 1/2" x 7'-6"
HIGH HEAVY DUTY SLOTTED
METAL POST (SLOTS AT 1"
O.C. TYP.) FIN. NO. (18A)

FULL HEIGHT MASONITE
BACK PANEL BETWEEN
POSTS TO MATCH FIN. (18A)
LOCATED AT REAR EDGE TO
POSTS IN ORDER TO
MAXIMIZE PRODUCT
CAPACITY (BY METAL
SHELVING SUPPLIER)

HORIZONTAL WALL
ATTACHMENT CROSSBAR
CONCEALED BEHIND MASONITE
PANEL SCREWED TO
PARTITION. GC TO PROVIDE
BLOCKING WITHIN PARTITION
AS REQUIRED. WHEN
BLOCKING WITHIN PARTITION
IS NOT POSSIBLE, GC TO
STRAP EXIST. WALL WITH 3/4"
THK. PLY, SECURED TO
EXISTING STUDS.

6 DETAIL
F301a 3" = 1'-0"



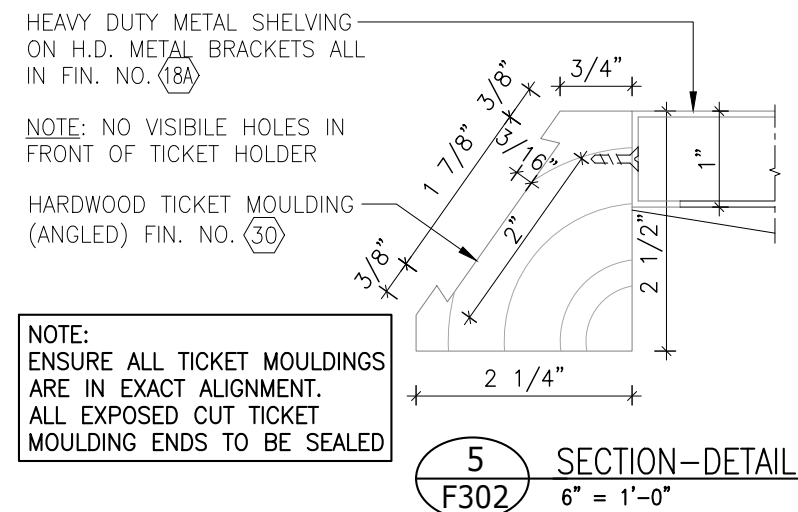
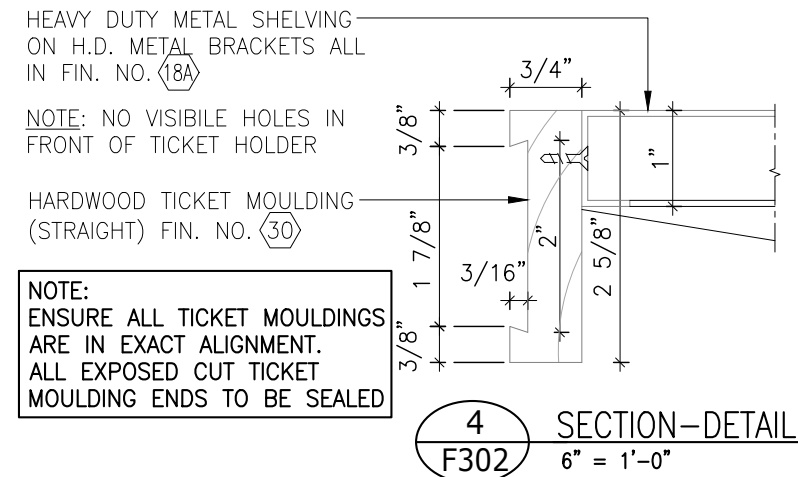
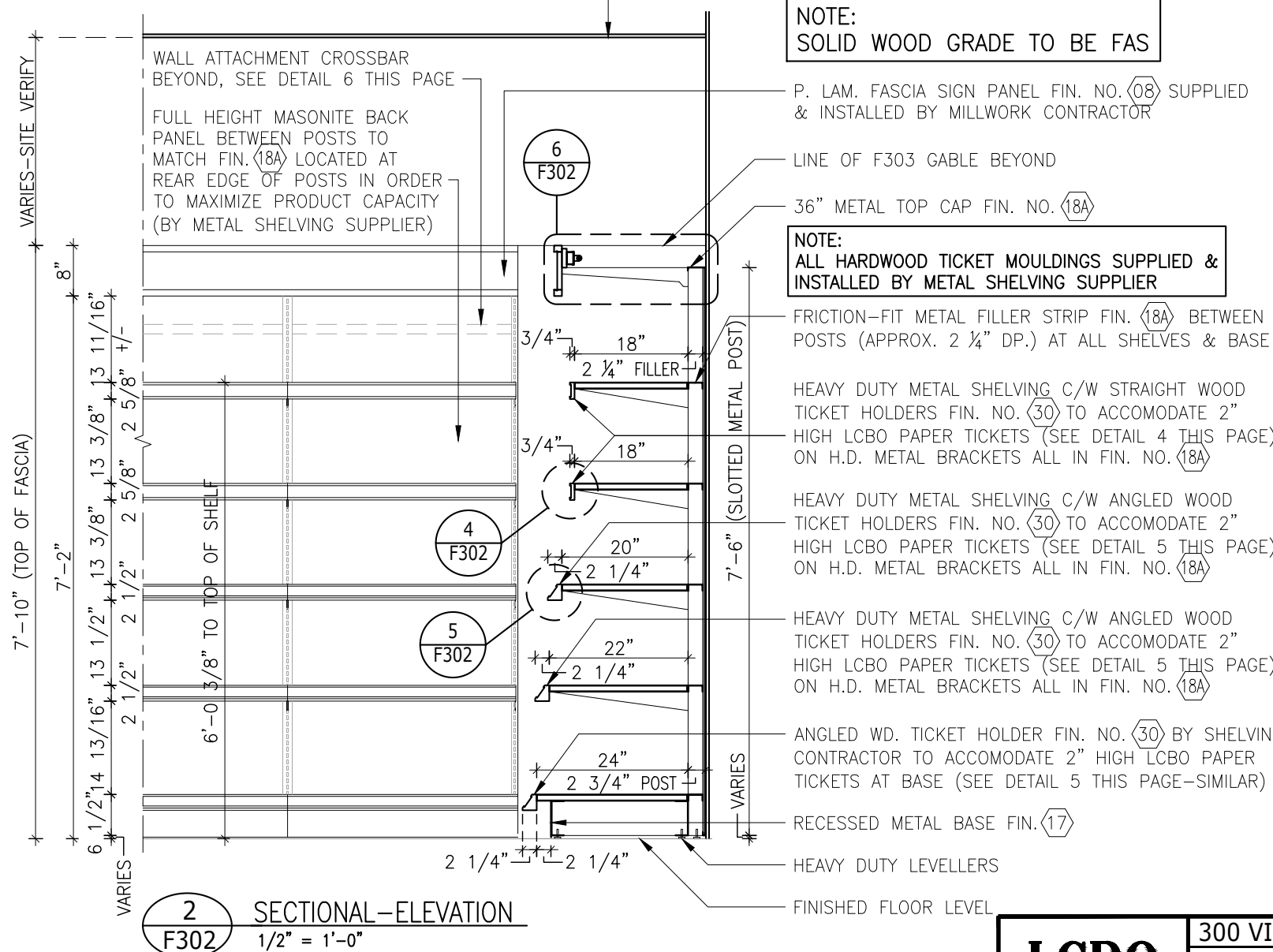
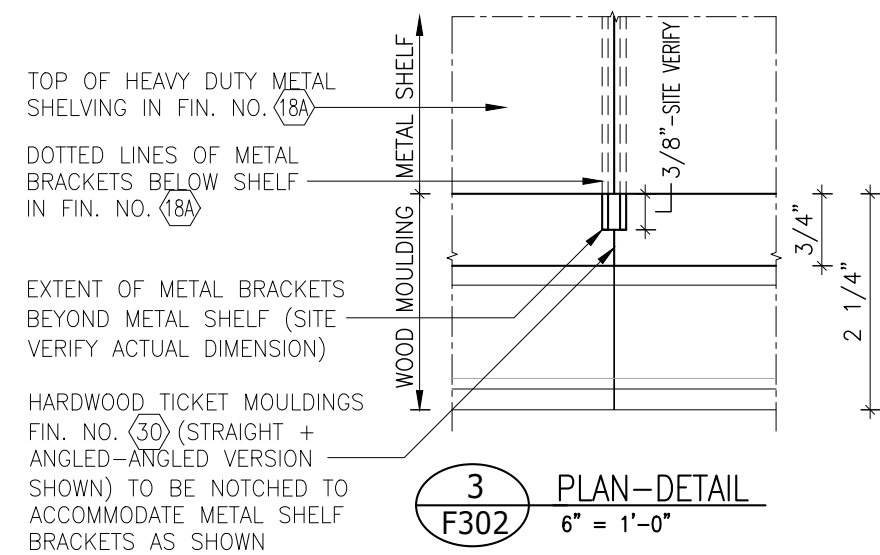
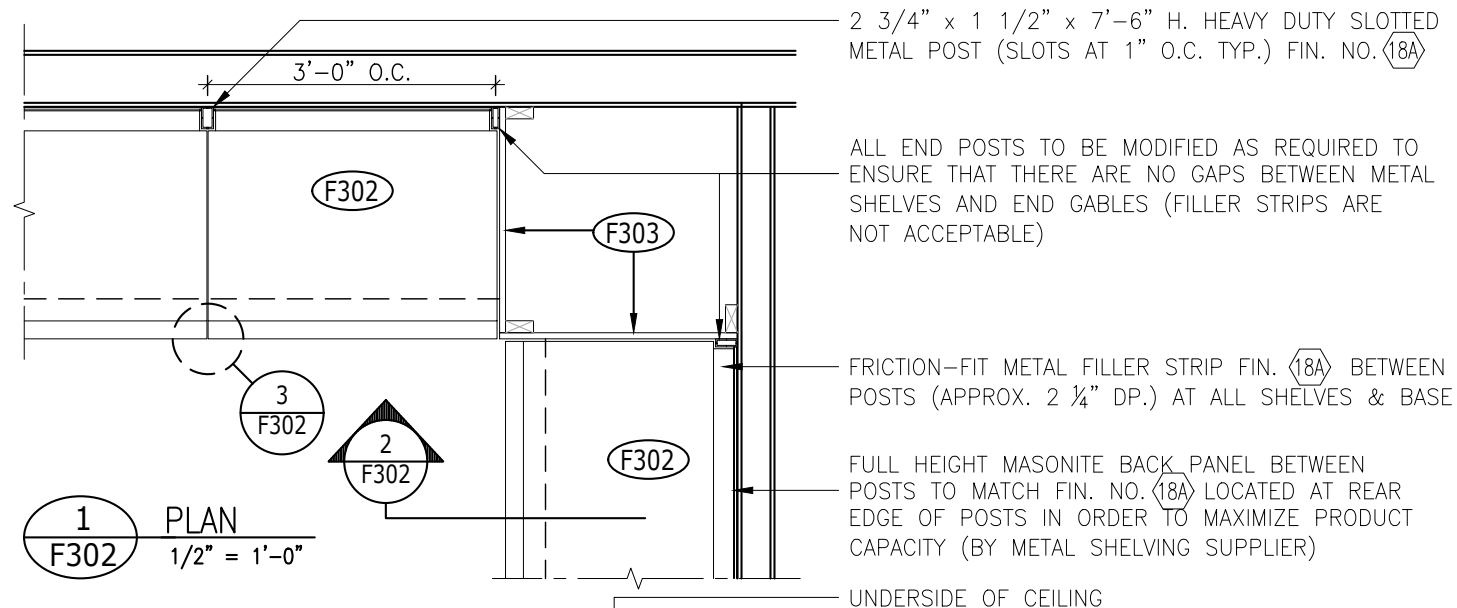
(2) 20" METAL BRACKETS C/W
METAL MOUNTING PLATE (RIGHT
& LEFT HAND) SUPPLIED BY
SHELVING SUPPLIER. BRACKETS
TO BE MOUNTED AS FAR APART
AS POSSIBLE

P. LAM. FASCIA PANEL
FIN. NO. (08) SUPPLIED
AND INSTALLED BY
MILLWORK CONTRACTOR

7 SIGN BAND MOUNTING ISOMETRIC
F301a N.T.S.

- GENERAL NOTES
- DIMENSIONS SHOWN REFLECT SHELF & BASE DIMENSIONS ONLY & DO NOT TAKE TICKET HOLDERS INTO ACCOUNT, UNLESS SPECIFICALLY NOTED
 - ALL ADJUSTMENTS TO COMPENSATE FOR NON-LEVEL FLOOR SURFACES TO BE MADE AT BOTTOM END OF POST
 - GC TO CO-ORDINATE MILLWORK + METAL SHELF INSTALLATION
 - T5 FLUORESCENT LIGHT FIXTURES TO BE SUPPLIED & INSTALLED BY G.C.
 - GC RESPONSIBLE FOR INSTALLATION OF WALL STRAPPING AS REQ'D.
 - MILLWORK CONTRACTOR TO OBTAIN SIGNAGE SAMPLE FROM LCBO PRIOR TO FABRICATION TO ENSURE PROPER FIT OF SIGNAGE INSERT
 - SHELVING SUPPLIER TO OBTAIN 2" HIGH PAPER TICKET SAMPLE FROM LCBO PRIOR TO FABRICATION TO ENSURE PROPER FIT WITHIN TICKET MOULDING. SUBMIT SAMPLE FOR APPROVAL
 - GC TO ENSURE ALL SHELVES ARE IN EXACT ALIGNMENT AND ARE TRUE & LEVEL. PERFORATED SHELVES ARE ACCEPTABLE. SHELVES TO SUPPORT LOAD CAPACITY OF 500LBS
 - ALL END POSTS TO BE MODIFIED AS REQUIRED TO ENSURE THAT THERE ARE NO GAPS BETWEEN METAL SHELVES AND END GABLES (FILLER STRIPS ARE NOT ACCEPTABLE)

LCBO	300 VINTAGES	REVISION DATE	REV.	2 of 2	ISSUE DATE	STORE TYPE	STORE #
	48" VINTAGES PERIMETER METAL SHELVING UNIT C/W FASCIA PANEL & METAL CROSS BRACING	2019 APR	16	F301a	2021 APR		



LCBO	300 VINTAGES	REVISION DATE	REV.	1 of 2	ISSUE DATE	STORE TYPE	STORE #
	36" VINTAGES PERIMETER METAL SHELVING UNIT C/W FASCIA PANEL	2021 MAR	17	F302	2021 APR		

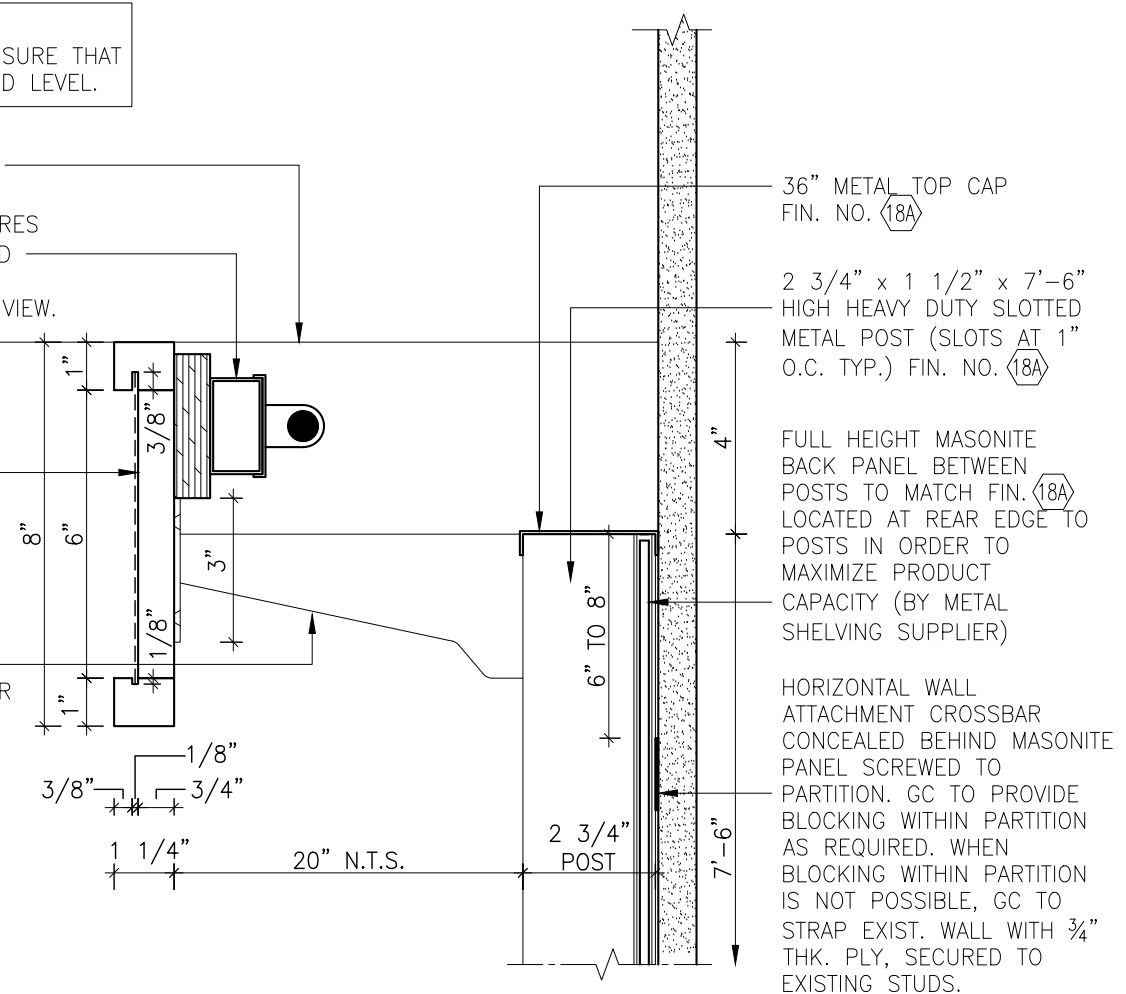
NOTE:
MILLWORK CONTRACTOR TO ENSURE THAT
WOOD SIGN BAND IS TRUE AND LEVEL.

LINE OF F303 GABLE BEYOND

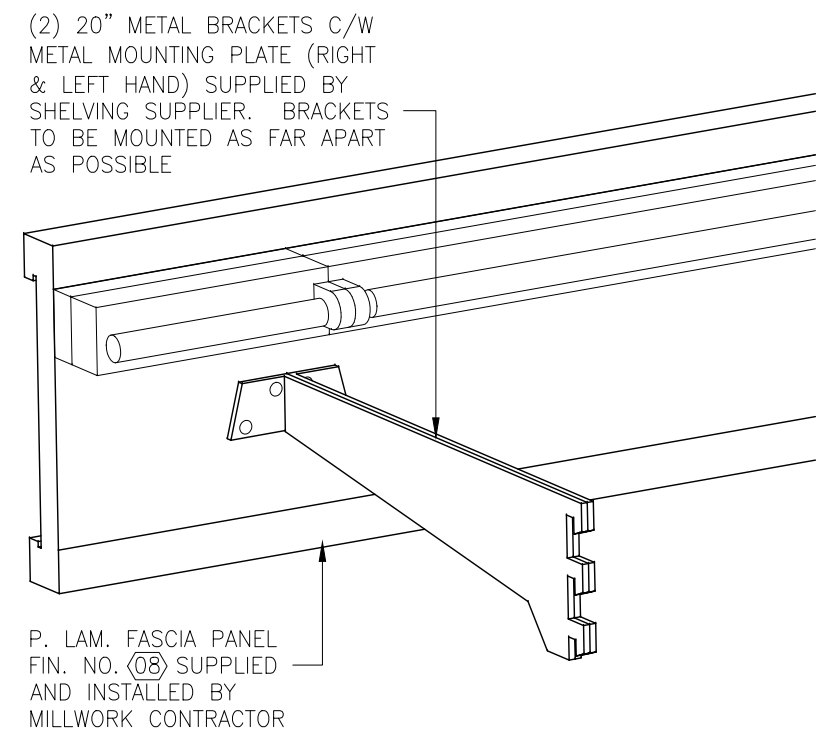
T5 FLUORESCENT LIGHT FIXTURES
MOUNTED TO A 3/4" PLYWOOD
STRIP. ALL POWER FEEDS
CONCEALED FROM CUSTOMER VIEW.

P.LAM FASCIA SIGN PANEL
FIN. NO. (08) SUPPLIED
AND INSTALLED BY
MILLWORK CONTRACTOR
WITH AS FEW SEAMS AS
POSSIBLE (i.e. MINIMUM
8'-0" LENGTHS EXCEPT
AT END RUNS AS REQ'D.

20" METAL BRACKET W/
WELDED 3" X 3" METAL
FLANGE BY SHELVING SUPPLIER
ALL IN FIN. NO. (18A)



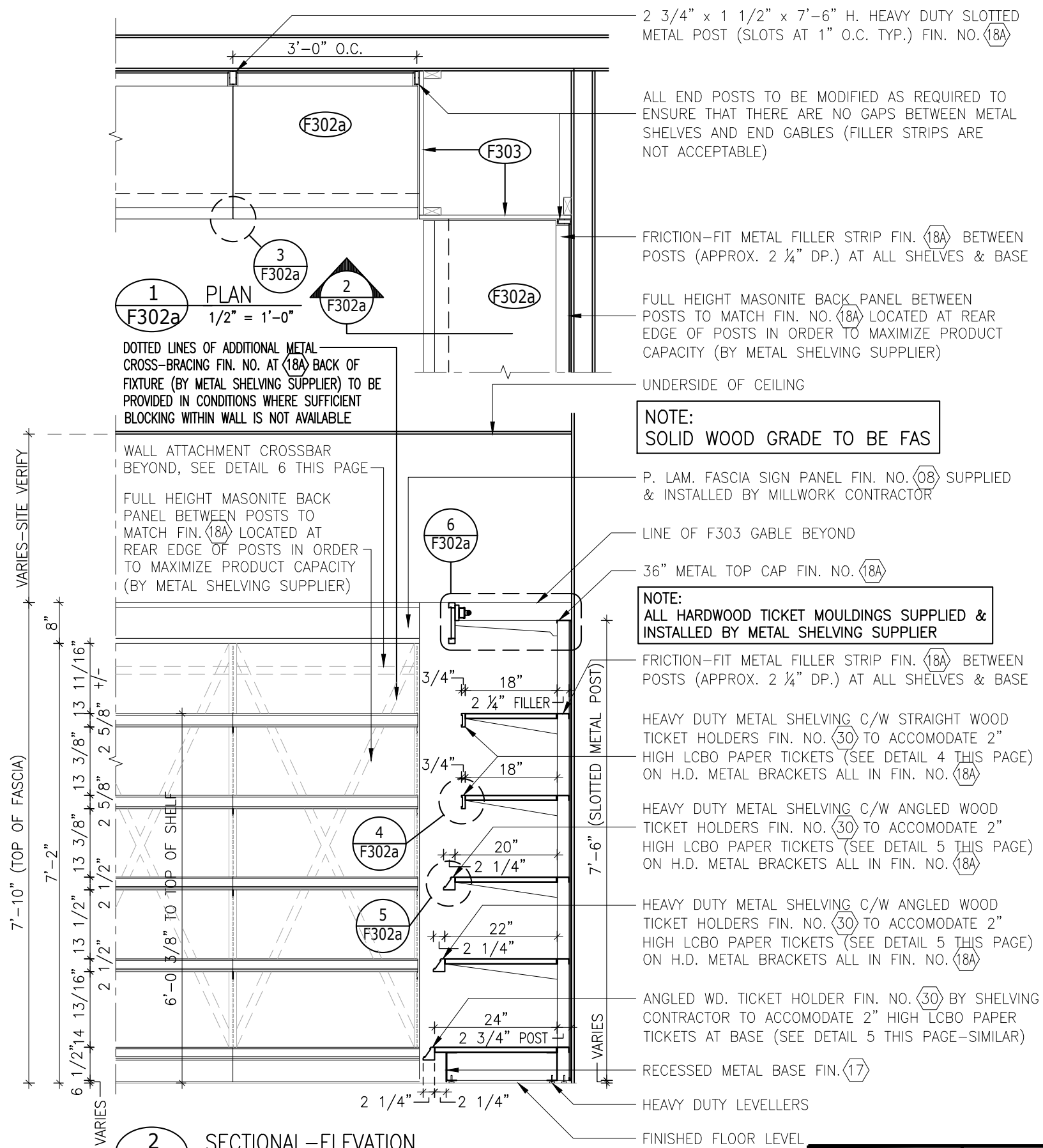
6
F302
DETAIL
3" = 1'-0"



7
F302
SIGN BAND MOUNTING ISOMETRIC
N.T.S.

- GENERAL NOTES
- DIMENSIONS SHOWN REFLECT SHELF & BASE DIMENSIONS ONLY & DO NOT TAKE TICKET HOLDERS INTO ACCOUNT, UNLESS SPECIFICALLY NOTED
 - ALL ADJUSTMENTS TO COMPENSATE FOR NON-LEVEL FLOOR SURFACES TO BE MADE AT BOTTOM END OF POST
 - GC TO CO-ORDINATE MILLWORK + METAL SHELF INSTALLATION
 - T5 FLUORESCENT LIGHT FIXTURES TO BE SUPPLIED & INSTALLED BY G.C.
 - GC RESPONSIBLE FOR INSTALLATION OF WALL STRAPPING AS REQ'D.
 - MILLWORK CONTRACTOR TO OBTAIN SIGNAGE SAMPLE FROM LCBO PRIOR TO FABRICATION TO ENSURE PROPER FIT OF SIGNAGE INSERT
 - SHELVING SUPPLIER TO OBTAIN 2" HIGH PAPER TICKET SAMPLE FROM LCBO PRIOR TO FABRICATION TO ENSURE PROPER FIT WITHIN TICKET MOULDING. SUBMIT SAMPLE FOR APPROVAL
 - GC TO ENSURE ALL SHELVES ARE IN EXACT ALIGNMENT AND ARE TRUE & LEVEL. PERFORATED SHELVES ARE ACCEPTABLE. SHELVES TO SUPPORT LOAD CAPACITY OF 500LBS
 - ALL END POSTS TO BE MODIFIED AS REQUIRED TO ENSURE THAT THERE ARE NO GAPS BETWEEN METAL SHELVES AND END GABLES (FILLER STRIPS ARE NOT ACCEPTABLE)

LCBO	300 VINTAGES	REVISION DATE	REV.	2 of 2	ISSUE DATE	STORE TYPE	STORE #
	36" VINTAGES PERIMETER METAL SHELVING UNIT C/W FASCIA PANEL	2021 MAR	17	F302	2021 APR		



2 3/4" x 1 1/2" x 7'-6" H. HEAVY DUTY SLOTTED METAL POST (SLOTS AT 1" O.C. TYP.) FIN. NO. (18A)

ALL END POSTS TO BE MODIFIED AS REQUIRED TO ENSURE THAT THERE ARE NO GAPS BETWEEN METAL SHELVES AND END GABLES (FILLER STRIPS ARE NOT ACCEPTABLE)

FRICTION-FIT METAL FILLER STRIP FIN. (18A) BETWEEN POSTS (APPROX. 2 1/4" DP.) AT ALL SHELVES & BASE

FULL HEIGHT MASONITE BACK PANEL BETWEEN POSTS TO MATCH FIN. NO. (18A) LOCATED AT REAR EDGE OF POSTS IN ORDER TO MAXIMIZE PRODUCT CAPACITY (BY METAL SHELVING SUPPLIER)

UNDERSIDE OF CEILING

NOTE:
SOLID WOOD GRADE TO BE FAS

P. LAM. FASCIA SIGN PANEL FIN. NO. (08) SUPPLIED & INSTALLED BY MILLWORK CONTRACTOR

LINE OF F303 GABLE BEYOND

36" METAL TOP CAP FIN. NO. (18A)

NOTE:
ALL HARDWOOD TICKET MOULDINGS SUPPLIED & INSTALLED BY METAL SHELVING SUPPLIER

FRICTION-FIT METAL FILLER STRIP FIN. (18A) BETWEEN POSTS (APPROX. 2 1/4" DP.) AT ALL SHELVES & BASE

HEAVY DUTY METAL SHELVING C/W STRAIGHT WOOD TICKET HOLDERS FIN. NO. (30) TO ACCOMMODATE 2" HIGH LCBO PAPER TICKETS (SEE DETAIL 4 THIS PAGE) ON H.D. METAL BRACKETS ALL IN FIN. NO. (18A)

HEAVY DUTY METAL SHELVING C/W ANGLED WOOD TICKET HOLDERS FIN. NO. (30) TO ACCOMMODATE 2" HIGH LCBO PAPER TICKETS (SEE DETAIL 5 THIS PAGE) ON H.D. METAL BRACKETS ALL IN FIN. NO. (18A)

HEAVY DUTY METAL SHELVING C/W ANGLED WOOD TICKET HOLDERS FIN. NO. (30) TO ACCOMMODATE 2" HIGH LCBO PAPER TICKETS (SEE DETAIL 5 THIS PAGE) ON H.D. METAL BRACKETS ALL IN FIN. NO. (18A)

ANGLED WD. TICKET HOLDER FIN. NO. (30) BY SHELVING CONTRACTOR TO ACCOMMODATE 2" HIGH LCBO PAPER TICKETS AT BASE (SEE DETAIL 5 THIS PAGE-SIMILAR)

RECESSED METAL BASE FIN. (17)

HEAVY DUTY LEVELLERS

FINISHED FLOOR LEVEL

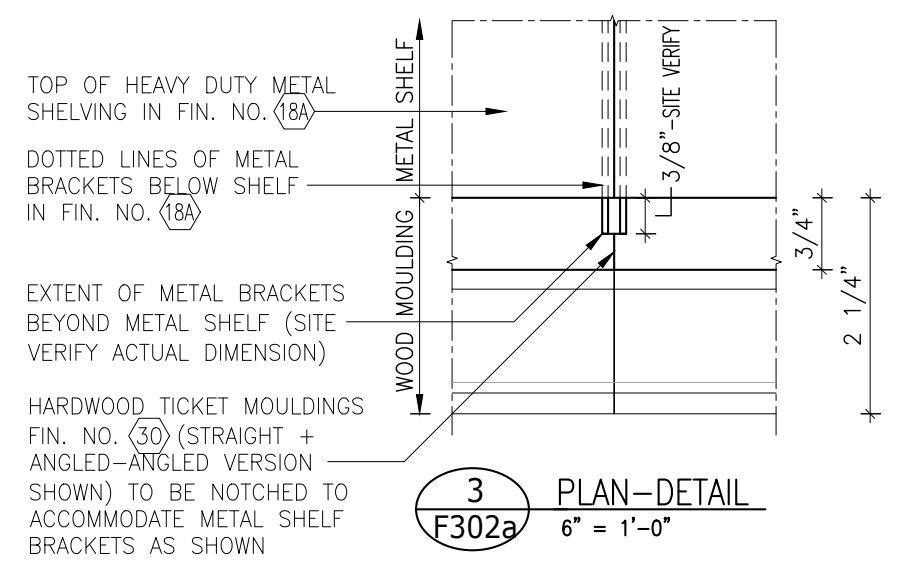
1 PLAN
F302a
1/2" = 1'-0"

DOTTED LINES OF ADDITIONAL METAL CROSS-BRACING FIN. NO. AT (18A) BACK OF FIXTURE (BY METAL SHELVING SUPPLIER) TO BE PROVIDED IN CONDITIONS WHERE SUFFICIENT BLOCKING WITHIN WALL IS NOT AVAILABLE

WALL ATTACHMENT CROSSBAR BEYOND, SEE DETAIL 6 THIS PAGE

FULL HEIGHT MASONITE BACK PANEL BETWEEN POSTS TO MATCH FIN. (18A) LOCATED AT REAR EDGE OF POSTS IN ORDER TO MAXIMIZE PRODUCT CAPACITY (BY METAL SHELVING SUPPLIER)

2 SECTIONAL-ELEVATION
F302
1/2" = 1'-0"



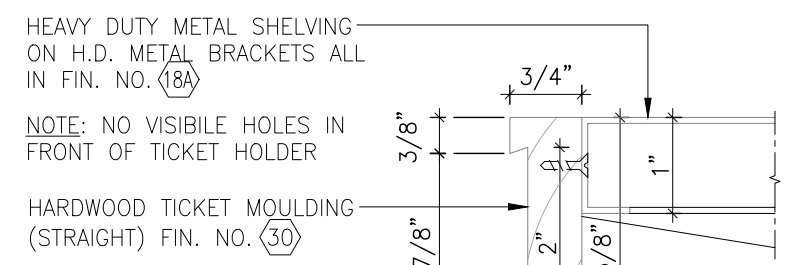
TOP OF HEAVY DUTY METAL SHELVING IN FIN. NO. (18A)

DOTTED LINES OF METAL BRACKETS BELOW SHELF IN FIN. NO. (18A)

EXTENT OF METAL BRACKETS BEYOND METAL SHELF (SITE VERIFY ACTUAL DIMENSION)

HARDWOOD TICKET MOULDINGS FIN. NO. (30) (STRAIGHT + ANGLED-ANGLED VERSION SHOWN) TO BE NOTCHED TO ACCOMMODATE METAL SHELF BRACKETS AS SHOWN

3 PLAN-DETAIL
F302a
6" = 1'-0"



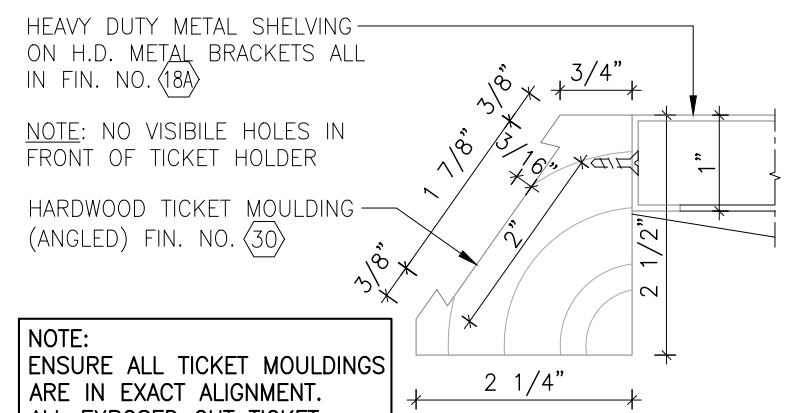
HEAVY DUTY METAL SHELVING ON H.D. METAL BRACKETS ALL IN FIN. NO. (18A)

NOTE: NO VISIBLE HOLES IN FRONT OF TICKET HOLDER

HARDWOOD TICKET MOULDING (STRAIGHT) FIN. NO. (30)

NOTE:
ENSURE ALL TICKET MOULDINGS ARE IN EXACT ALIGNMENT. ALL EXPOSED CUT TICKET MOULDING ENDS TO BE SEALED

4 SECTION-DETAIL
F302a
6" = 1'-0"



HEAVY DUTY METAL SHELVING ON H.D. METAL BRACKETS ALL IN FIN. NO. (18A)

NOTE: NO VISIBLE HOLES IN FRONT OF TICKET HOLDER

HARDWOOD TICKET MOULDING (ANGLED) FIN. NO. (30)

NOTE:
ENSURE ALL TICKET MOULDINGS ARE IN EXACT ALIGNMENT. ALL EXPOSED CUT TICKET MOULDING ENDS TO BE SEALED

5 SECTION-DETAIL
F302a
6" = 1'-0"

LCBO	300 VINTAGES	REVISION DATE	REV.	1 of 2	ISSUE DATE	STORE TYPE	STORE #
	36" VINTAGES PERIMETER METAL SHELVING UNIT C/W FASCIA PANEL & METAL CROSS BRACING	2021 MAR	17	F302a	2021 APR		

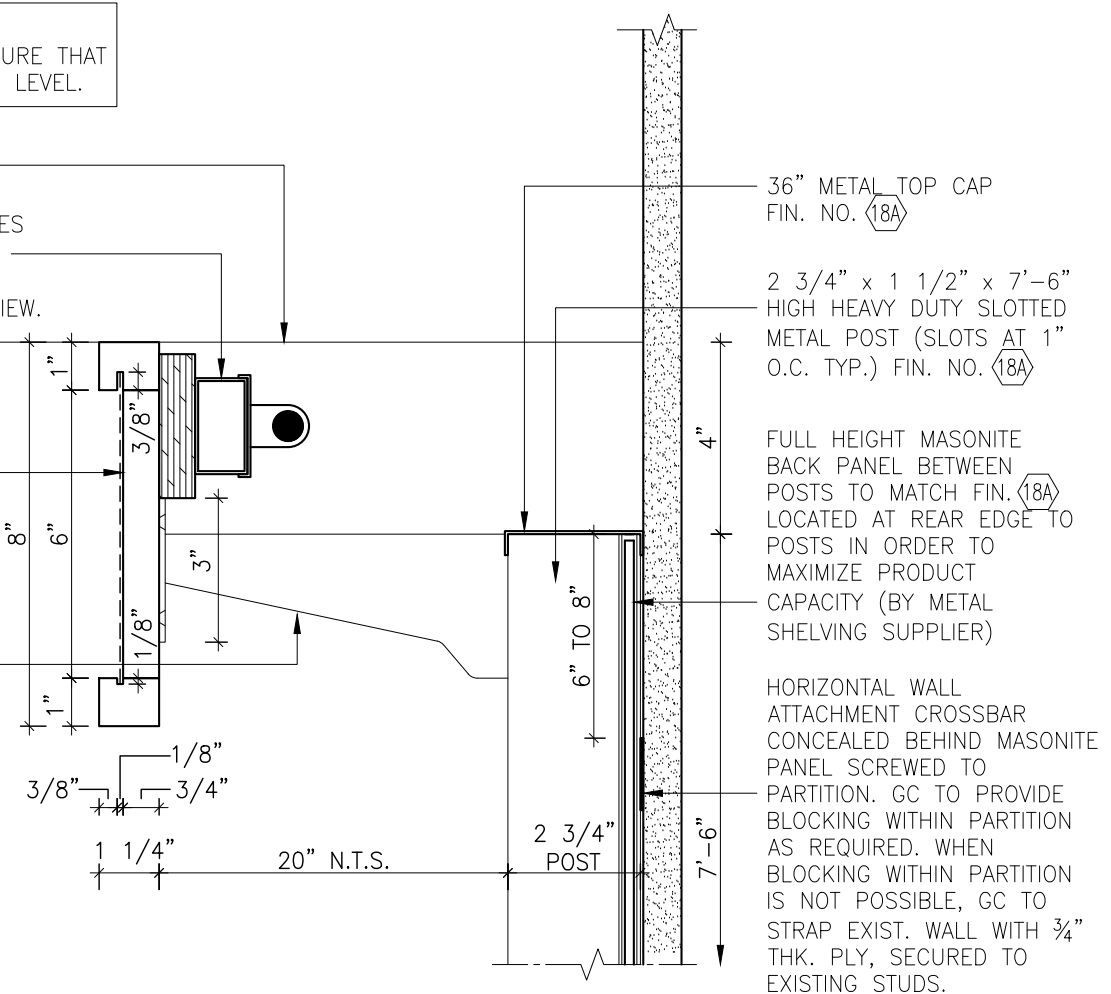
NOTE:
MILLWORK CONTRACTOR TO ENSURE THAT
WOOD SIGN BAND IS TRUE AND LEVEL.

LINE OF F303 GABLE BEYOND

T5 FLUORESCENT LIGHT FIXTURES
MOUNTED TO A 3/4" PLYWOOD
STRIP. ALL POWER FEEDS
CONCEALED FROM CUSTOMER VIEW.

P.LAM FASCIA SIGN PANEL
FIN. NO. (08) SUPPLIED
AND INSTALLED BY
MILLWORK CONTRACTOR
WITH AS FEW SEAMS AS
POSSIBLE (i.e. MINIMUM
8'-0" LENGTHS EXCEPT
AT END RUNS AS REQ'D.

20" METAL BRACKET W/
WELDED 3" X 3" METAL
FLANGE BY SHELVING SUPPLIER
ALL IN FIN. NO. (18A)



36" METAL TOP CAP
FIN. NO. (18A)

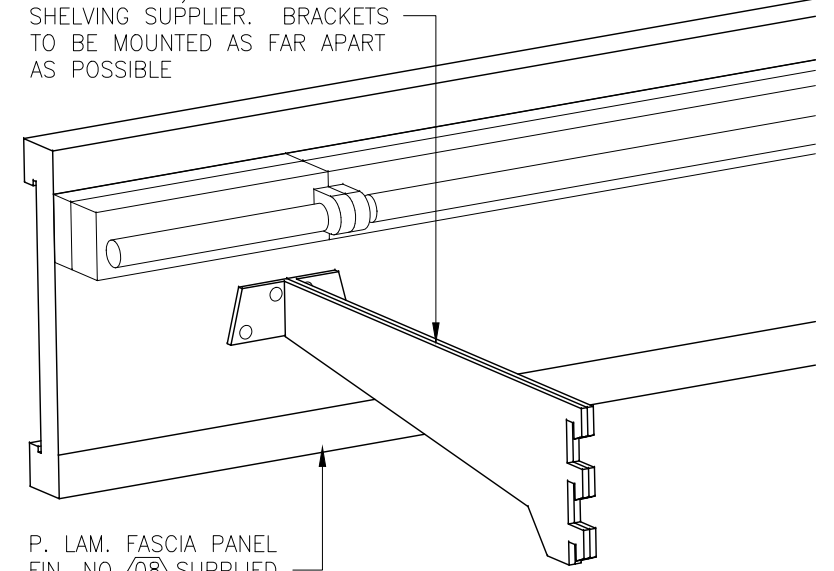
2 3/4" x 1 1/2" x 7'-6"
HIGH HEAVY DUTY SLOTTED
METAL POST (SLOTS AT 1"
O.C. TYP.) FIN. NO. (18A)

FULL HEIGHT MASONITE
BACK PANEL BETWEEN
POSTS TO MATCH FIN. (18A)
LOCATED AT REAR EDGE TO
POSTS IN ORDER TO
MAXIMIZE PRODUCT
CAPACITY (BY METAL
SHELVING SUPPLIER)

HORIZONTAL WALL
ATTACHMENT CROSSBAR
CONCEALED BEHIND MASONITE
PANEL SCREWED TO
PARTITION. GC TO PROVIDE
BLOCKING WITHIN PARTITION
AS REQUIRED. WHEN
BLOCKING WITHIN PARTITION
IS NOT POSSIBLE, GC TO
STRAP EXIST. WALL WITH 3/4"
THK. PLY, SECURED TO
EXISTING STUDS.

6 DETAIL
F302a 3" = 1'-0"

(2) 20" METAL BRACKETS C/W
METAL MOUNTING PLATE (RIGHT
& LEFT HAND) SUPPLIED BY
SHELVING SUPPLIER. BRACKETS
TO BE MOUNTED AS FAR APART
AS POSSIBLE



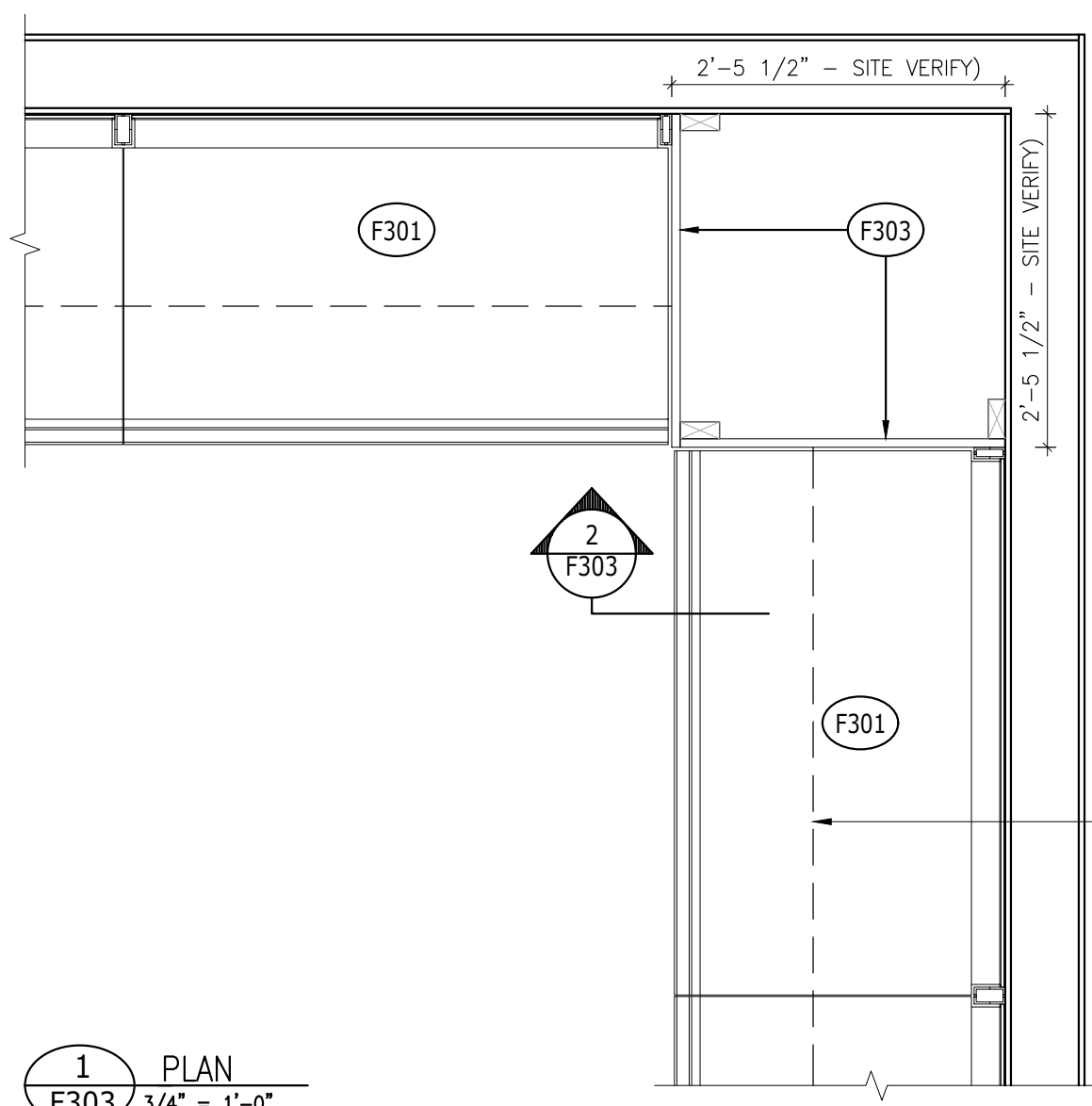
P. LAM. FASCIA PANEL
FIN. NO. (08) SUPPLIED
AND INSTALLED BY
MILLWORK CONTRACTOR

7 SIGN BAND MOUNTING ISOMETRIC
F302a N.T.S.

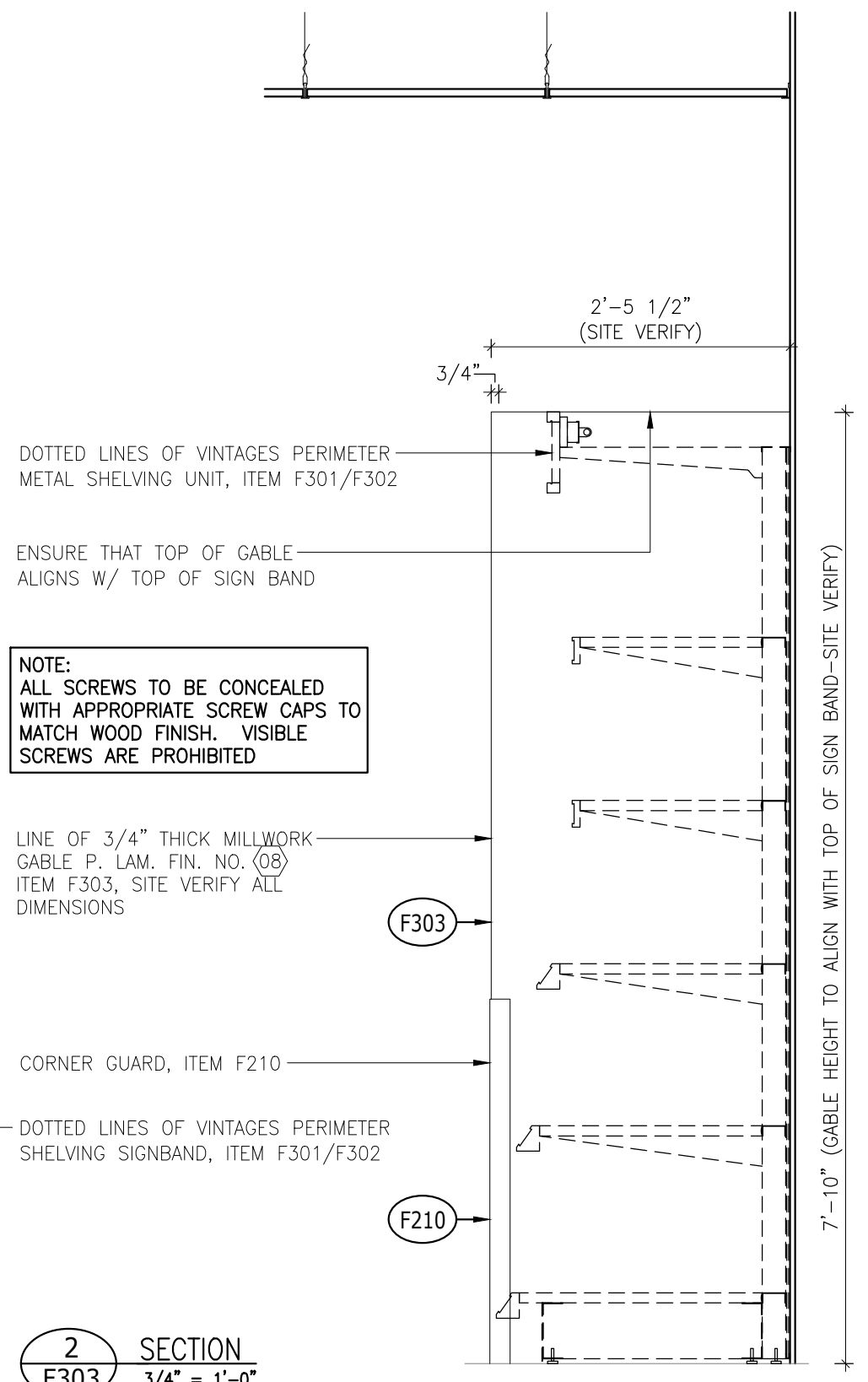
GENERAL NOTES

- DIMENSIONS SHOWN REFLECT SHELF & BASE DIMENSIONS ONLY & DO NOT TAKE TICKET HOLDERS INTO ACCOUNT, UNLESS SPECIFICALLY NOTED
- ALL ADJUSTMENTS TO COMPENSATE FOR NON-LEVEL FLOOR SURFACES TO BE MADE AT BOTTOM END OF POST
- GC TO CO-ORDINATE MILLWORK + METAL SHELF INSTALLATION
- T5 FLUORESCENT LIGHT FIXTURES TO BE SUPPLIED & INSTALLED BY G.C.
- GC RESPONSIBLE FOR INSTALLATION OF WALL STRAPPING AS REQ'D.
- MILLWORK CONTRACTOR TO OBTAIN SIGNAGE SAMPLE FROM LCBO PRIOR TO FABRICATION TO ENSURE PROPER FIT OF SIGNAGE INSERT
- SHELVING SUPPLIER TO OBTAIN 2" HIGH PAPER TICKET SAMPLE FROM LCBO PRIOR TO FABRICATION TO ENSURE PROPER FIT WITHIN TICKET MOULDING. SUBMIT SAMPLE FOR APPROVAL
- GC TO ENSURE ALL SHELVES ARE IN EXACT ALIGNMENT AND ARE TRUE & LEVEL. PERFORATED SHELVES ARE ACCEPTABLE. SHELVES TO SUPPORT LOAD CAPACITY OF 500LBS
- ALL END POSTS TO BE MODIFIED AS REQUIRED TO ENSURE THAT THERE ARE NO GAPS BETWEEN METAL SHELVES AND END GABLES (FILLER STRIPS ARE NOT ACCEPTABLE)

LCBO	300 VINTAGES	REVISION DATE	REV.	2 of 2	ISSUE DATE	STORE TYPE	STORE #
	36" VINTAGES PERIMETER METAL SHELVING UNIT C/W FASCIA PANEL & METAL CROSS BRACING	2019 APR	16	F302a	2021 APR		



1 PLAN
F303 3/4" = 1'-0"



DOTTED LINES OF VINTAGES PERIMETER METAL SHELVING UNIT, ITEM F301/F302

ENSURE THAT TOP OF GABLE ALIGNS W/ TOP OF SIGN BAND

NOTE:
ALL SCREWS TO BE CONCEALED WITH APPROPRIATE SCREW CAPS TO MATCH WOOD FINISH. VISIBLE SCREWS ARE PROHIBITED

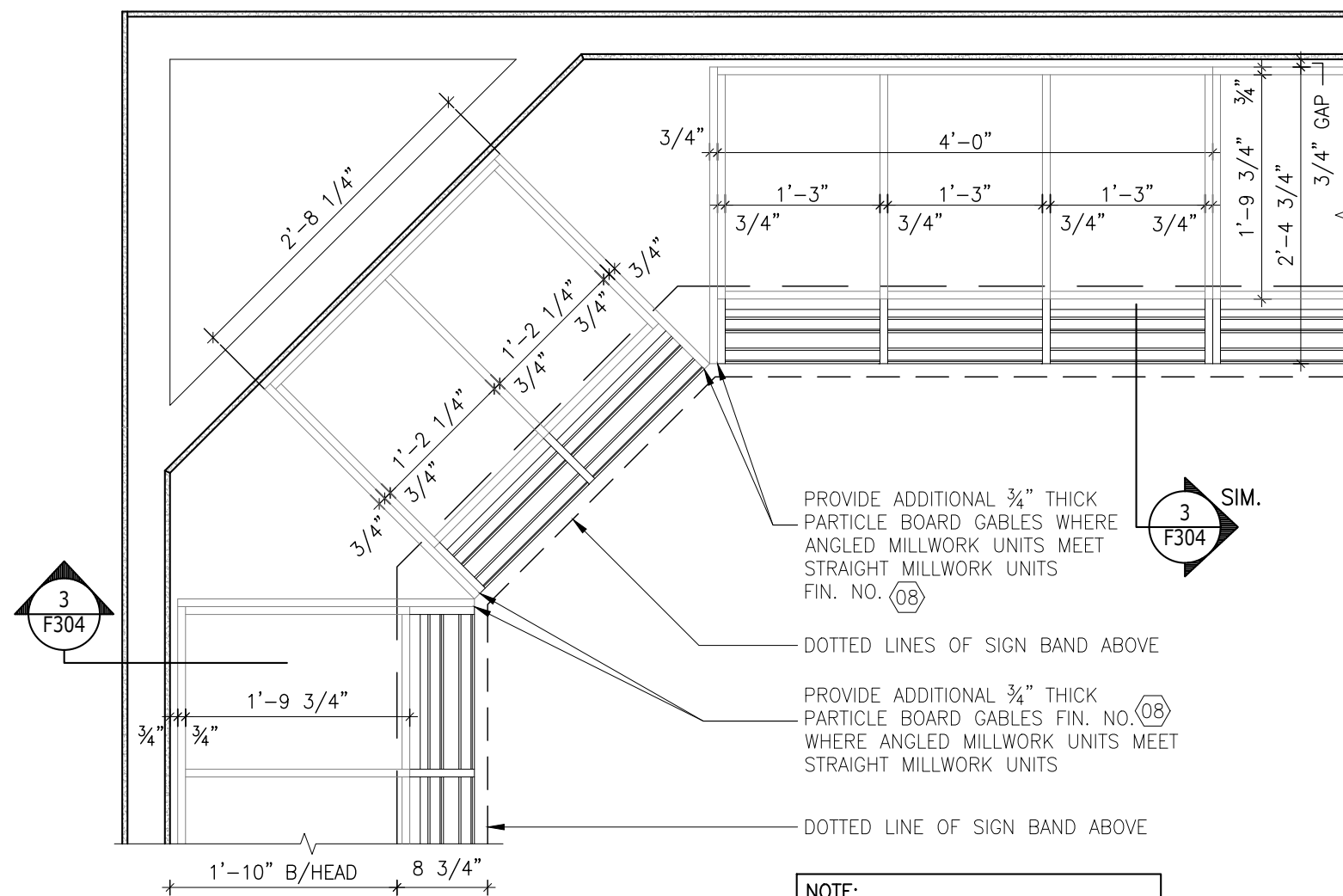
LINE OF 3/4" THICK MILLWORK GABLE P. LAM. FIN. NO. 08 ITEM F303, SITE VERIFY ALL DIMENSIONS

CORNER GUARD, ITEM F210

DOTTED LINES OF VINTAGES PERIMETER SHELVING SIGNBAND, ITEM F301/F302

2 SECTION
F303 3/4" = 1'-0"

LCBO	300 VINTAGES	REVISION DATE	REV.	1 of 1	ISSUE DATE	STORE TYPE	STORE #
	VINTAGES PERIMETER SHELVING GABLE/FILLER PANEL	2017 NOV	15	F303	2021 APR		



PROVIDE ADDITIONAL 3/4" THICK PARTICLE BOARD GABLES WHERE ANGLED MILLWORK UNITS MEET STRAIGHT MILLWORK UNITS FIN. NO. (08)

DOTTED LINES OF SIGN BAND ABOVE

PROVIDE ADDITIONAL 3/4" THICK PARTICLE BOARD GABLES FIN. NO. (08) WHERE ANGLED MILLWORK UNITS MEET STRAIGHT MILLWORK UNITS

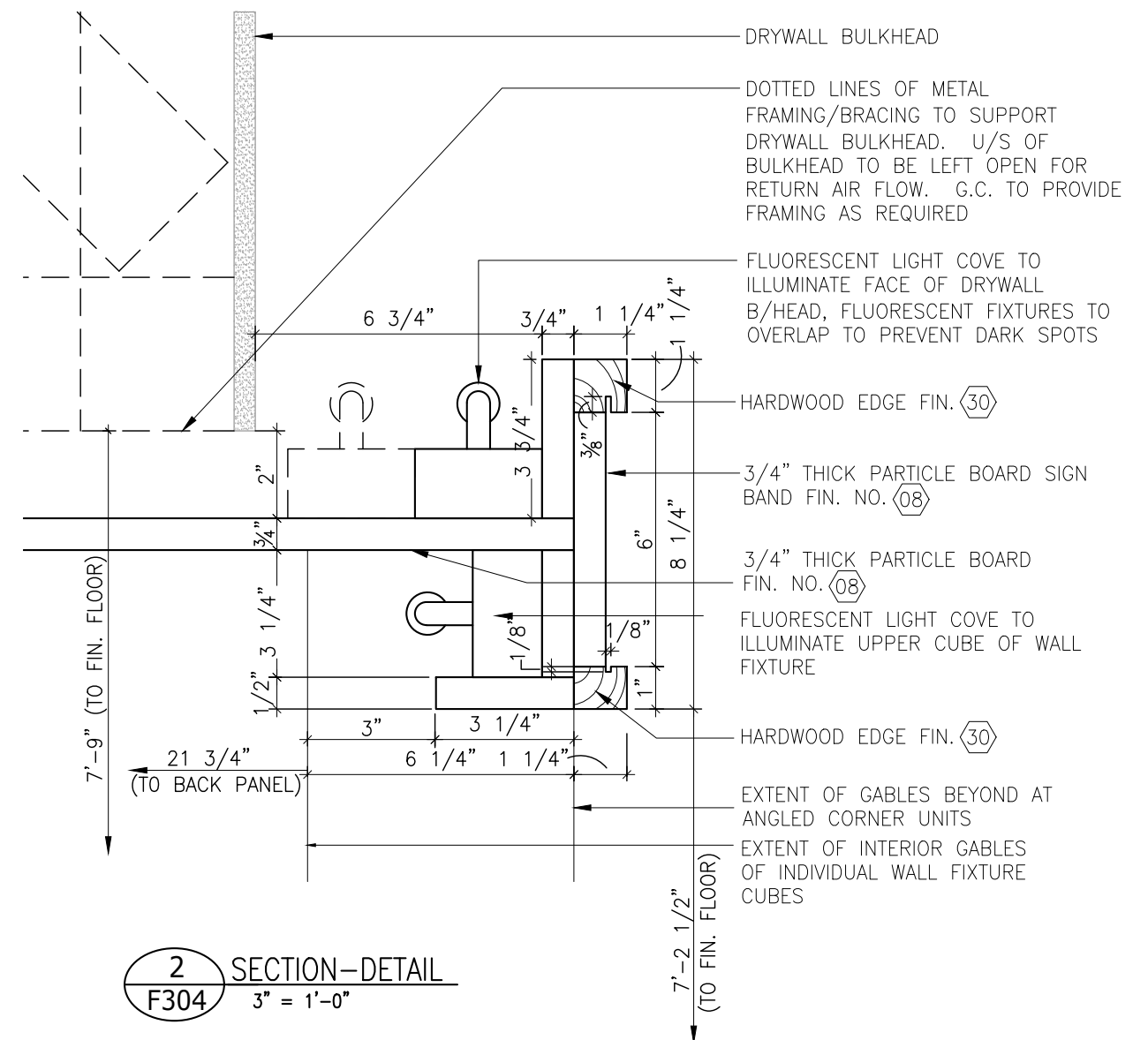
DOTTED LINE OF SIGN BAND ABOVE

NOTE:
ALL SCREWS TO BE CONCEALED WITH APPROPRIATE SCREW CAPS TO MATCH WOOD FINISH. VISIBLE SCREWS ARE PROHIBITED

NOTE:
SOLID WOOD GRADE TO BE FAS

1 PLAN
3/4" = 1'-0"

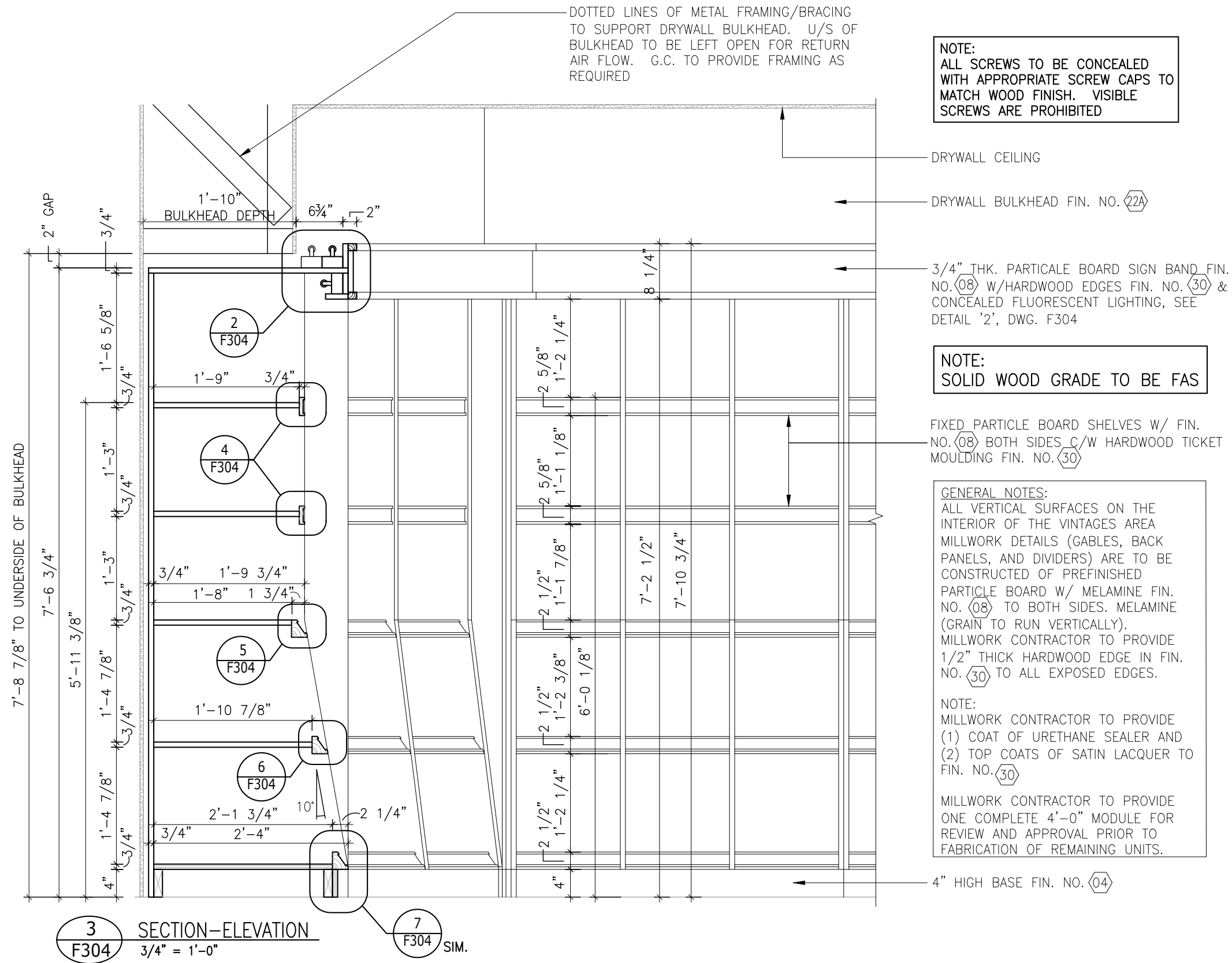
3 SIM.
F304



NOTE:
MILLWORK CONTRACTOR TO ENSURE THAT FIXTURE IS CONSTRUCTED SO THAT LIGHT FIXTURES CAN BE SERVICED AND/OR REMOVED WITHOUT DISMANTLING MILLWORK

NOTE:
ALL POWER FEEDS TO BE CONCEALED FROM CUSTOMERS VIEW.
ALL LIGHTING TO BE SUPPLIED AND INSTALLED BY G.C. CO-ORDINATE ALL DETAILS WITH MILLWORK CONTRACTOR.

LCBO	300 VINTAGES	REVISION DATE	REV.	1 of 3	ISSUE DATE	STORE TYPE	STORE #
	VINTAGES PERIMETER SHELVING	2017 NOV	15	F304	2021 APR		



DOTTED LINES OF METAL FRAMING/BRACING TO SUPPORT DRYWALL BULKHEAD. U/S OF BULKHEAD TO BE LEFT OPEN FOR RETURN AIR FLOW. G.C. TO PROVIDE FRAMING AS REQUIRED

NOTE:
ALL SCREWS TO BE CONCEALED WITH APPROPRIATE SCREW CAPS TO MATCH WOOD FINISH. VISIBLE SCREWS ARE PROHIBITED

DRYWALL CEILING
DRYWALL BULKHEAD FIN. NO. (22A)
3/4" THK. PARTICLE BOARD SIGN BAND FIN. NO. (08) W/HARDWOOD EDGES FIN. NO. (30) & CONCEALED FLUORESCENT LIGHTING, SEE DETAIL '2', DWG. F304

NOTE:
SOLID WOOD GRADE TO BE FAS

FIXED PARTICLE BOARD SHELVES W/ FIN. NO. (08) BOTH SIDES C/W HARDWOOD TICKET MOULDING FIN. NO. (30)

GENERAL NOTES:
ALL VERTICAL SURFACES ON THE INTERIOR OF THE VINTAGES AREA MILLWORK DETAILS (GABLES, BACK PANELS, AND DIVIDERS) ARE TO BE CONSTRUCTED OF PREFINISHED PARTICLE BOARD W/ MELAMINE FIN. NO. (08) TO BOTH SIDES. MELAMINE (GRAIN TO RUN VERTICALLY). MILLWORK CONTRACTOR TO PROVIDE 1/2" THICK HARDWOOD EDGE IN FIN. NO. (30) TO ALL EXPOSED EDGES.

NOTE:
MILLWORK CONTRACTOR TO PROVIDE (1) COAT OF URETHANE SEALER AND (2) TOP COATS OF SATIN LACQUER TO FIN. NO. (30)

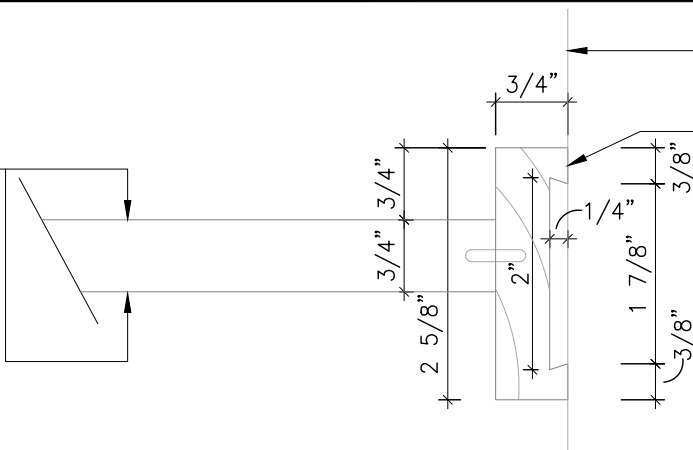
MILLWORK CONTRACTOR TO PROVIDE ONE COMPLETE 4'-0" MODULE FOR REVIEW AND APPROVAL PRIOR TO FABRICATION OF REMAINING UNITS.

4" HIGH BASE FIN. NO. (04)

3 SECTION-ELEVATION 3/4" = 1'-0"
7 F304 SIM.

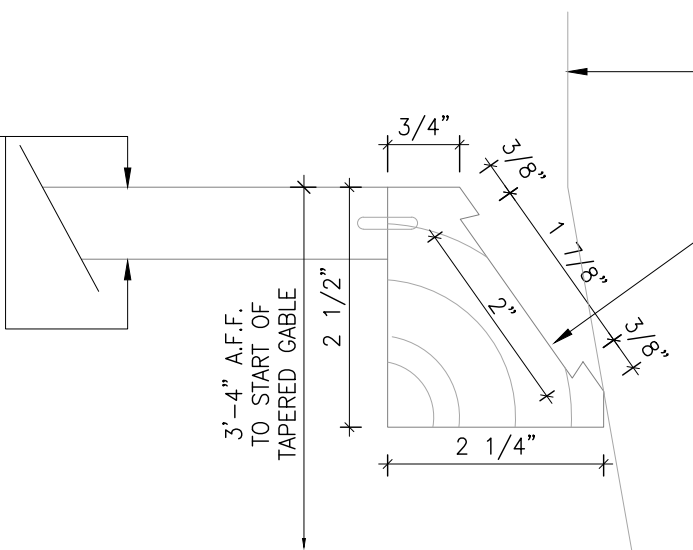
LCBO	300 VINTAGES	REVISION DATE	REV.	2 of 3	ISSUE DATE	STORE TYPE	STORE #
	VINTAGES PERIMETER SHELVING	2017 NOV	15	F304	2021 APR		

3/4" THK. PARTICLE BOARD SHELF
MELAMINE FIN. NO. (08)
TO BOTH SIDES



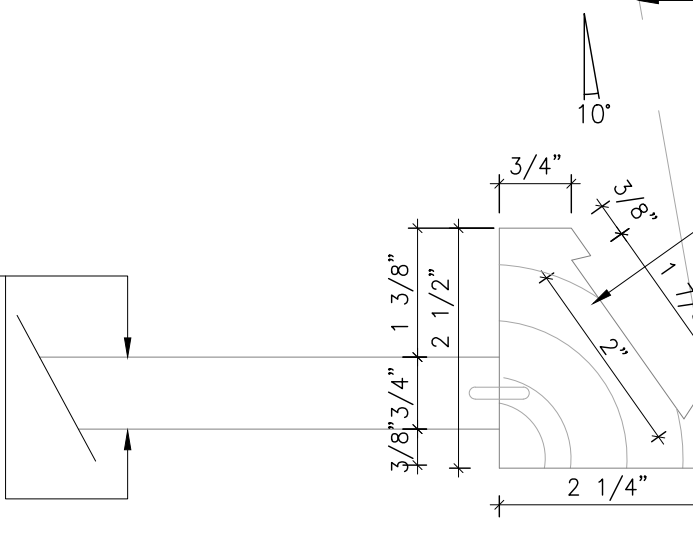
4 DETAIL
F304 6" = 1'-0"

3/4" THK. PARTICLE BOARD SHELF
MELAMINE FIN. NO. (08)
TO BOTH SIDES



5 DETAIL
F304 6" = 1'-0"

3/4" THK. PARTICLE BOARD SHELF
MELAMINE FIN. NO. (08)
TO BOTH SIDES



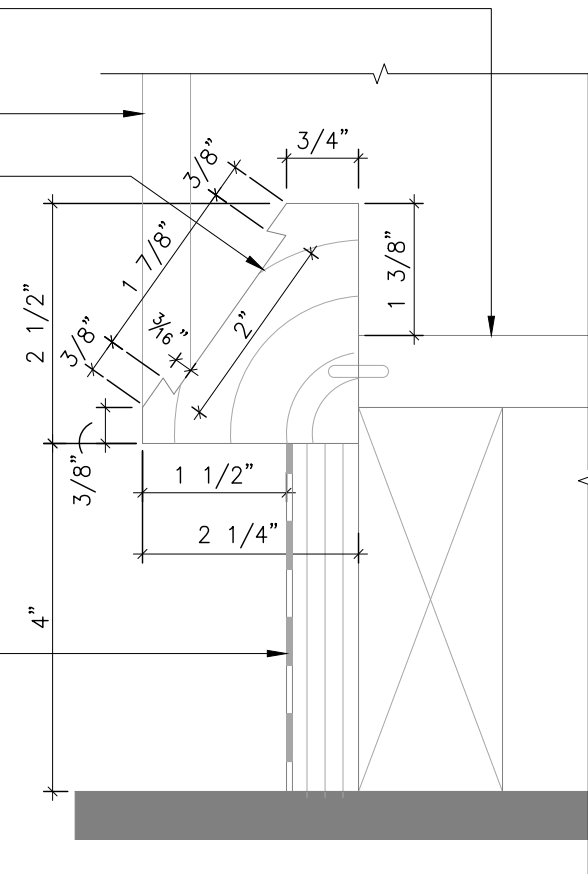
6 DETAIL
F304 6" = 1'-0"

3/4" PARTICLE BOARD W/
MELAMINE FIN. NO. (08)
BOTH SIDES

EXTENT OF GABLE BEYOND

HARDWOOD TICKET MOULDING (ANGLED) FIN. NO. (30)

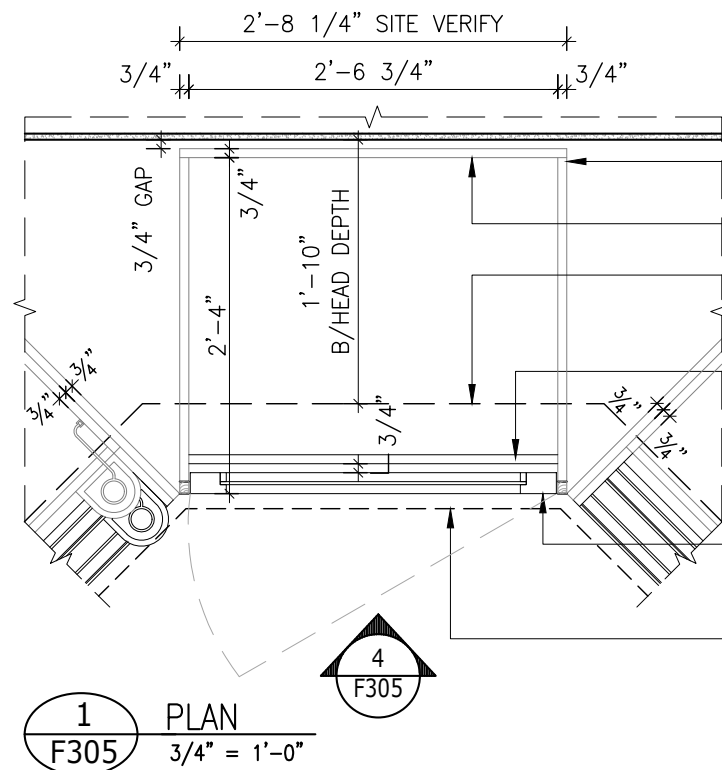
4" HIGH RECESSED PLY. BASE W/ P. LAM. FIN. NO. (04)



7 DETAIL
F304 6" = 1'-0"

NOTE:
SOLID WOOD GRADE TO BE FAS

LCBO	300 VINTAGES	REVISION DATE	REV.	3 of 3	ISSUE DATE	STORE TYPE	STORE #
	VINTAGES PERIMETER SHELVING	2017 NOV	15	F304	2021 APR		



1 PLAN
F305 3/4" = 1'-0"

NOTE:
SOLID WOOD GRADE TO BE FAS

- 3/4" THICK PARTICLE BOARD END GABLES W/MELAMINE FIN. NO. (08) BOTH SIDES C/W 1" THK. HARDWOOD EDGE FIN. NO. (30)
- FIN. NO. (08) TO BACK PANEL (TYP.)
- DOTTED LINE OF DRYWALL BULKHEAD ABOVE W/ PT. FIN. NO. (22A)
- 3/4" THICK FIXED SHELVES WITH HARDWOOD TICKET MOULDINGS C/W CONCEALED LED STRIP LIGHT FIXTURE
- 1 3/4" THK. LOCKABLE WOOD FRAMED DOOR FIN. NO. (30) W/ 3/8" (10mm) THK. CLEAR TEMPERED GLASS INSERT W/ RICHELIEU HANDLE #458160195, SEE THIS PAGE FOR ADDITIONAL HARDWARE SPECS.
- DOTTED LINES OF SIGN BAND ABOVE

NOTE:
LOCKS FOR F204, F205, F255, F256, F268, F269, F270, F276, F277, F278, F305, F307, F331, F333, F358, F359, F360, F361, F407, F415 AND F416 TO BE KEYED ALIKE

GENERAL NOTES:
ALL VERTICAL SURFACES ON THE INTERIOR OF THE VINTAGES AREA MILLWORK DETAILS (GABLES, BACK PANELS, AND DIVIDERS) ARE TO BE CONSTRUCTED OF PREFINISHED PARTICLE BOARD PANELS W/ MELAMINE FIN. NO. (08) BOTH SIDES, (GRAIN TO RUN VERTICALLY). MILLWORK CONTRACTOR TO PROVIDE HARDWOOD EDGE IN FIN. NO. (30) TO ALL EXPOSED EDGES.

NOTE:
MILLWORK CONTRACTOR TO PROVIDE (1) COAT OF URETHANE SEALER AND (2) TOP COATS OF SATIN LACQUER TO FIN. NO. (30)

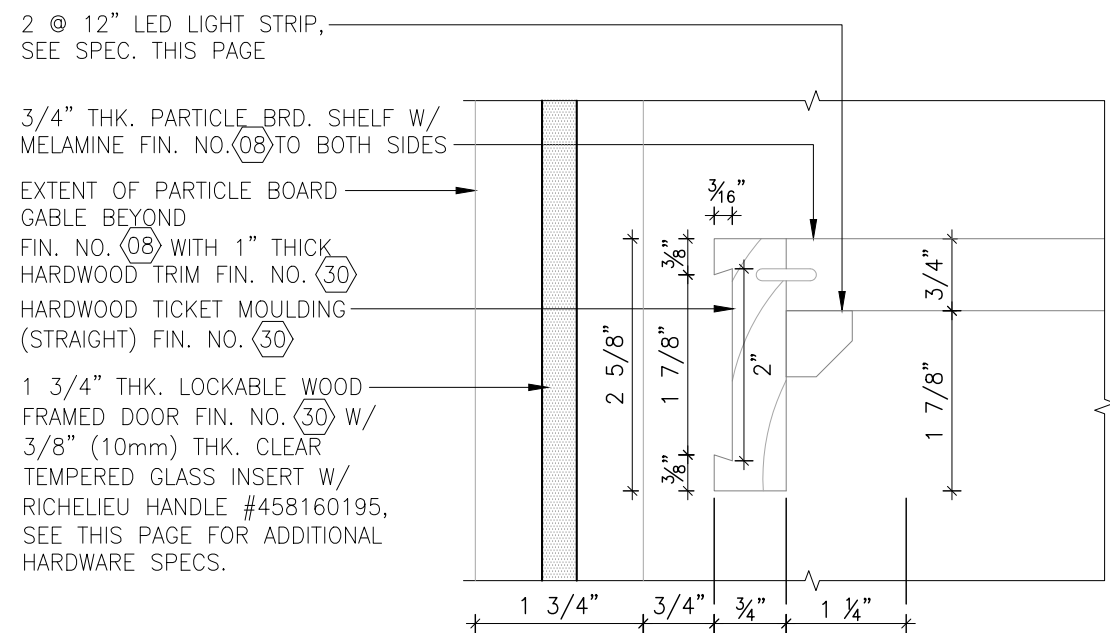
MILLWORK CONTRACTOR TO PROVIDE ONE COMPLETE 4'-0" MODULE FOR REVIEW AND APPROVAL PRIOR TO FABRICATION OF REMAINING UNITS.

MILLWORK CONTRACTOR TO ENSURE THAT FIXED SHELVES OF LOCKABLE UNIT F305 ARE IN EXACT ALIGNMENT WITH ADJACENT F304 UNITS.

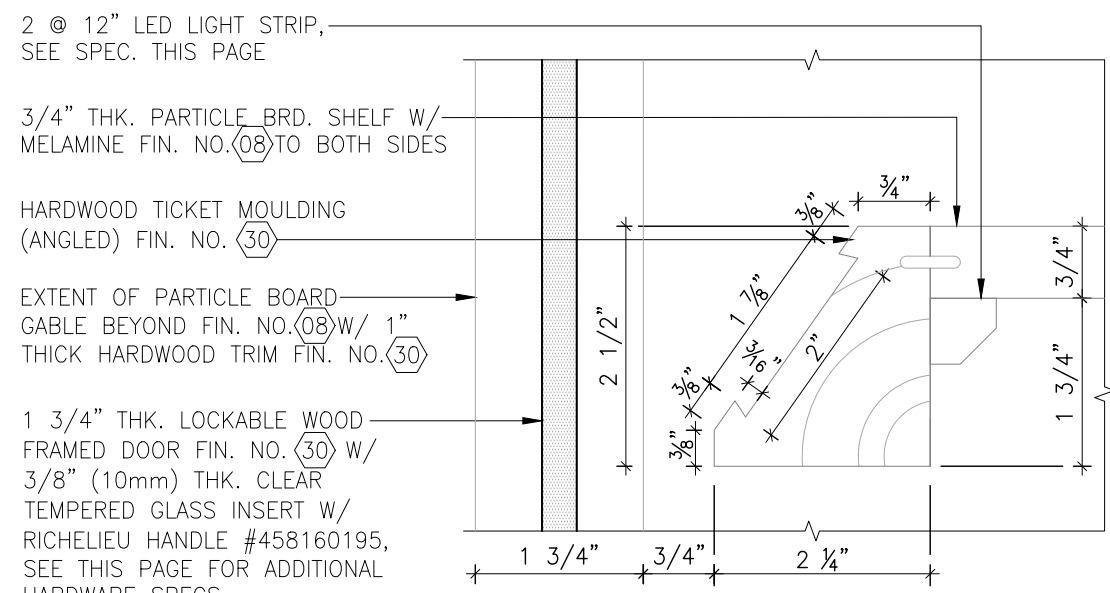
VINTAGES SIGN CARD IS 28" W. X 6 3/8" H.

GENERAL NOTES:

- ALL LIGHTING WITHIN F305 UNIT TO BE SUPPLIED & INSTALLED BY MILLWORK CONTRACTOR. ALL FINAL CONNECTIONS BY GC. MILLWORK CONTRACTOR & GC. TO COORDINATE AS REQ'D.
- L.E.D. LIGHT STRIP SPECIFICATIONS:
LED LIGHTSTRIPS BY TECHNILITE:
MODEL#: L3-32-GI-SEB
LENGTH=12" (x8)
OUTPUT=2.4 WATTS / 97 LUMENS PER FT.
COLOUR TEMP. 3200°K
DURATION: 50,000 HRS

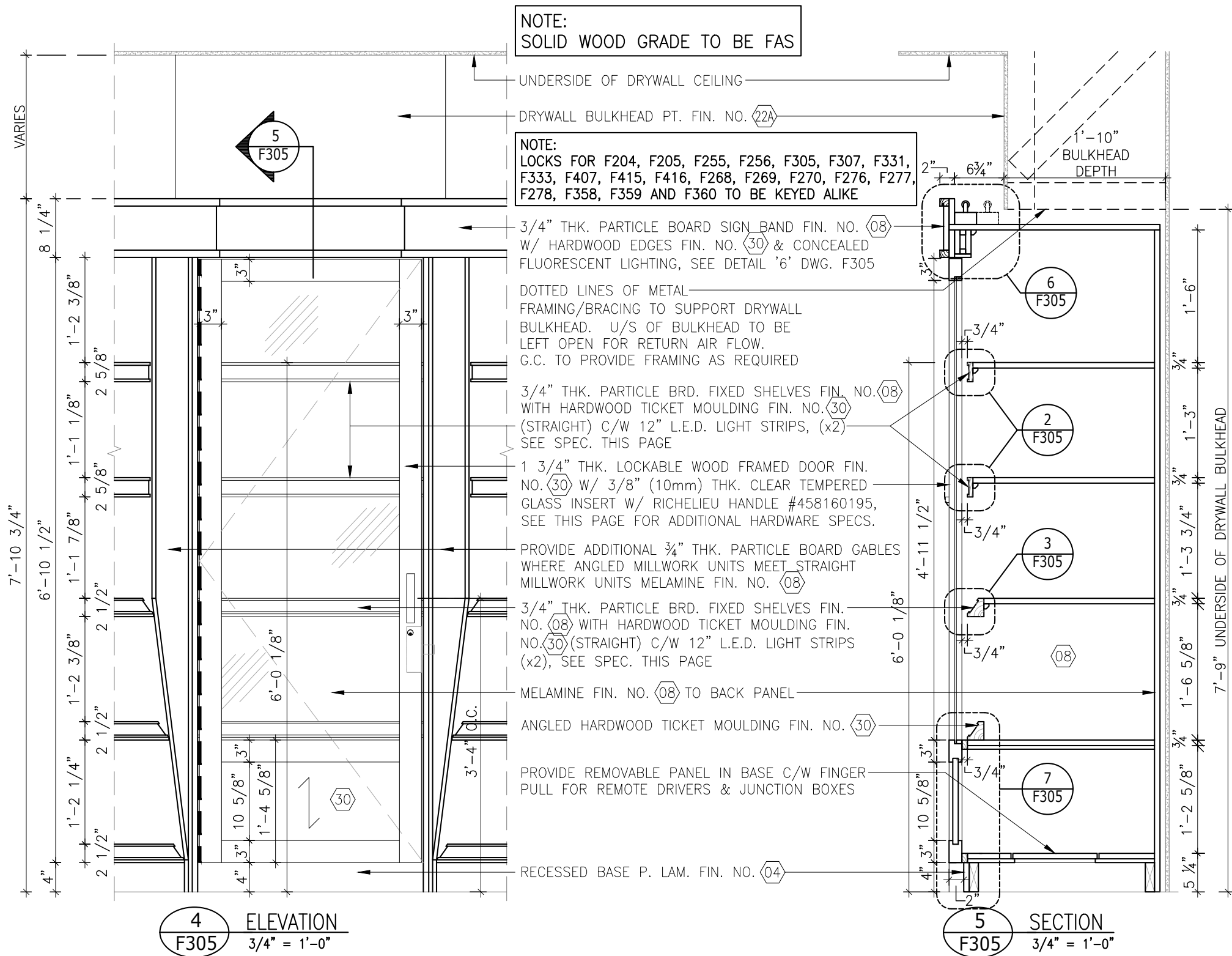


2 DETAIL
F305 6" = 1'-0"



3 DETAIL
F305 6" = 1'-0"

LCBO	300 VINTAGES	REVISION DATE	REV.	1 of 3	ISSUE DATE	STORE TYPE	STORE #
	VINTAGES PERIMETER LOCKABLE DISPLAY UNIT	2017 NOV	15	F305	2021 APR		



NOTE:
SOLID WOOD GRADE TO BE FAS

NOTE:
LOCKS FOR F204, F205, F255, F256, F305, F307, F331, F333, F407, F415, F416, F268, F269, F270, F276, F277, F278, F358, F359 AND F360 TO BE KEYED ALIKE

NOTE:
MILLWORK CONTRACTOR TO ENSURE THAT FIXTURE IS CONSTRUCTED SO THAT LIGHT FIXTURES CAN BE SERVICED AND/OR REMOVED WITHOUT DISMANTLING MILLWORK

HARDWARE SPECIFICATIONS:
ADAM RITE DEADLOCK #ARMS1850S410628
MORTISE CYLINDER #LSM1002SCC26D
1" C/W (2) KEYS CLEAR ANODIZED ALUMINUM FINISH
STRIKE FOR HOOK BOLT #ARMS4001031628
SPACER RING #L861F2810 - 1/4" THK.
CLEAR ANODIZED ALUMINUM
NOTE: LOCK CYLINDER TO BE SUPPLIED & INSTALLED BY LCBO, FITUP BY G.C.

3" .060 GA 8FT LONG CONTINUOUS
PIANO HINGE BY RICHELIEU
MODEL: #76096180 (BRUSHED NICKEL FINISH)

DOOR PULL BY RICHELIEU
MODEL: #458160195 (BRUSHED NICKEL FINISH)

GENERAL NOTES:
• ALL LIGHTING WITHIN F305 UNIT TO BE SUPPLIED & INSTALLED BY MILLWORK CONTRACTOR. ALL FINAL CONNECTIONS BY GC. MILLWORK CONTRACTOR & GC. TO COORDINATE AS REQ'D.
• L.E.D. LIGHT STRIP SPECIFICATIONS:

LED LIGHTSTRIPS BY TECHNILITE:
MODEL#: L3-32-GI-SEB
LENGTH=12" (x8)
OUTPUT=2.4 WATTS / 97 LUMENS PER FT.
COLOUR TEMP. 3200°K
DURATION: 50,000 HRS

4 ELEVATION
F305 3/4" = 1'-0"

5 SECTION
F305 3/4" = 1'-0"

LCBO	300 VINTAGES	REVISION DATE	REV.	2 of 3	ISSUE DATE	STORE TYPE	STORE #
	VINTAGES PERIMETER LOCKABLE DISPLAY UNIT	2017 NOV	15	F305	2021 APR		

DOTTED LINES OF METAL FRAMING/BRACING TO SUPPORT DRYWALL BULKHEAD. U/S OF BULKHEAD TO BE LEFT OPEN FOR RETURN AIR FLOW. G.C. TO PROVIDE FRAMING AS REQUIRED

DRYWALL BULKHEAD W/ PT. FIN. NO. (22A)

HARDWOOD EDGE FIN. NO. (30)

NOTE:
SOLID WOOD GRADE TO BE FAS

FLUORESCENT LIGHT COVE TO ILLUMINATE FACE OF DRYWALL B/HEAD, FLUORESCENT FIXTURES TO OVERLAP TO PREVENT DARK SPOTS. SUPPLIED AND INSTALLED BY G.C.

3/4" THK. PARTICLE BOARD SIGN BAND FIN. NO. (08) TO ALL EXPOSED SURFACES

NOTE:
ALL POWER FEEDS TO BE CONCEALED FROM CUSTOMERS VIEW.

ALL LIGHTING WITHIN LOCKABLE VINTAGES UNIT TO BE SUPPLIED & INSTALLED BY MILLWORK CONTRACTOR. FINAL CONNECTIONS BY G.C.'s ELECTRICAL SUBTRADE.

NOTE:
VINTAGES SIGN CARD IS 28" W. X 6 3/8" H.

HARDWOOD EDGE FIN. NO. (30)

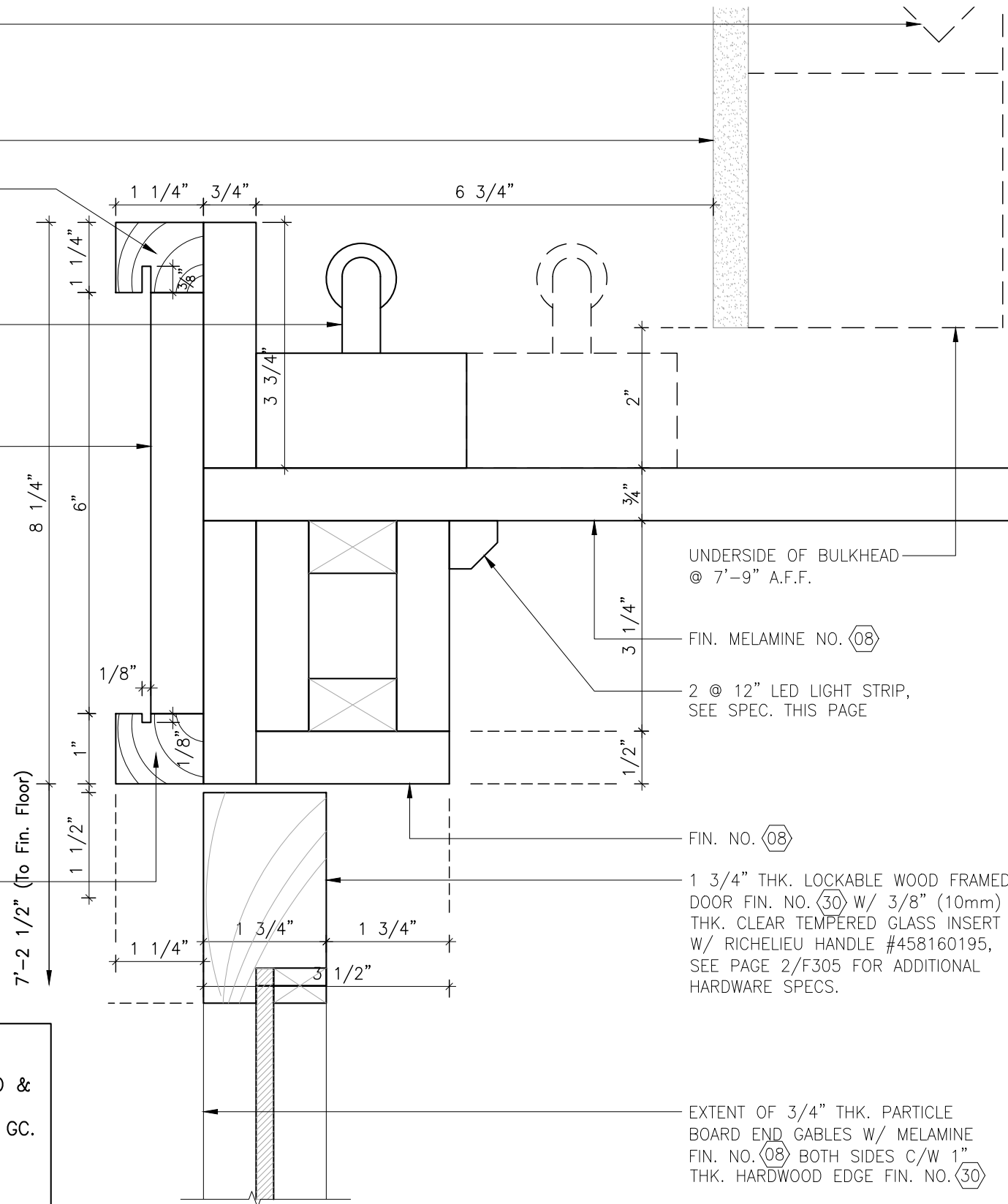
6 SECTION-DETAIL
F305 6" = 1'-0"

GENERAL NOTES:

- ALL LIGHTING WITHIN F305 UNIT TO BE SUPPLIED & INSTALLED BY MILLWORK CONTRACTOR. ALL FINAL CONNECTIONS BY GC. MILLWORK CONTRACTOR & GC. TO COORDINATE AS REQ'D.

- L.E.D. LIGHT STRIP SPECIFICATIONS:

LED LIGHTSTRIPS BY TECHNILITE:
MODEL#: L3-32-GI-SEB
LENGTH=12" (x8)
OUTPUT=2.4 WATTS / 97 LUMENS PER FT.
COLOUR TEMP. 3200°K
DURATION: 50,000 HRS



P. LAM. FIN. NO. (08) TO GABLE BEYOND

HARDWOOD TICKET MOULDING (ANGLED) FIN. NO. (30)

1 3/4" THK. LOCKABLE WOOD FRAMED DOOR FIN. NO. (30) (ALL SIDES) W/ 3/8" (10mm) THK. CLEAR TEMPERED GLASS INSERT W/ RICHELIEU HANDLE #458160195, SEE PAGE 2/F305 FOR ADDITIONAL HARDWARE SPECS.

BEECH VENEER TO MATCH FIN. NO. (30)

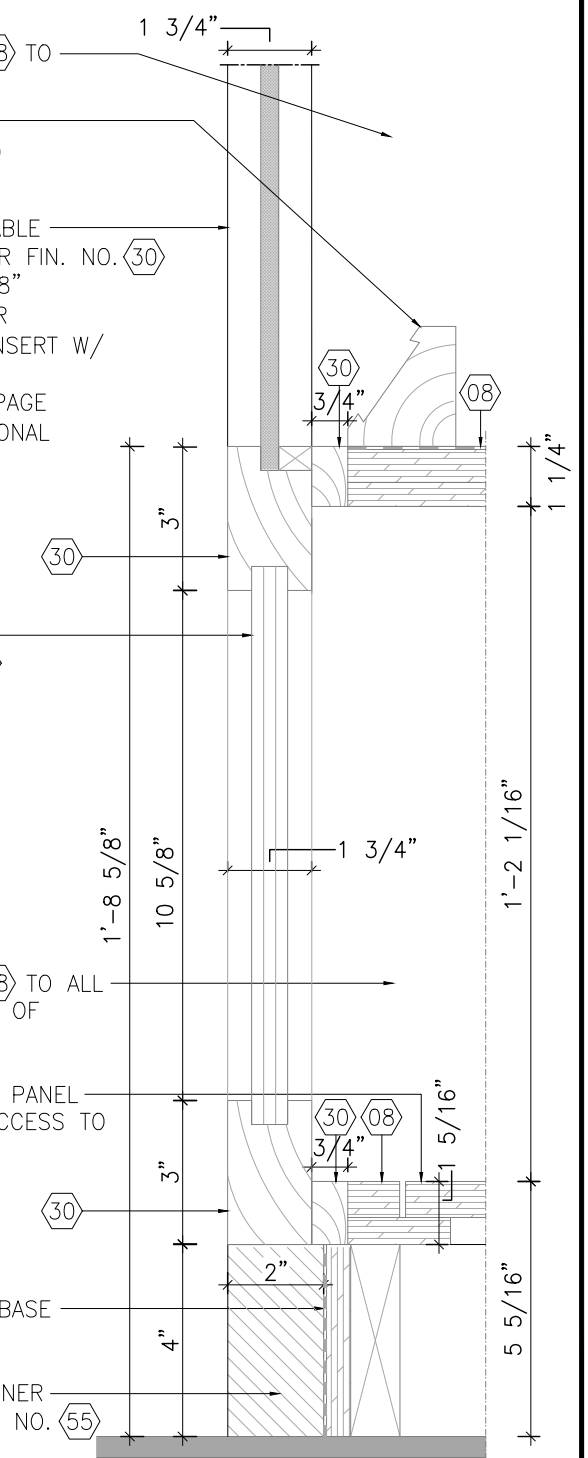
P. LAM. FIN. NO. (08) TO ALL INTERIOR SURFACES OF LOCKABLE CABINET

REMOVABLE ACCESS PANEL FIN. NO. (08) FOR ACCESS TO REMOTE BALLASTS

RECESSED P. LAM. BASE FIN. NO. (04)

4" HIGH METAL CORNER GUARD BEYOND FIN. NO. (55)

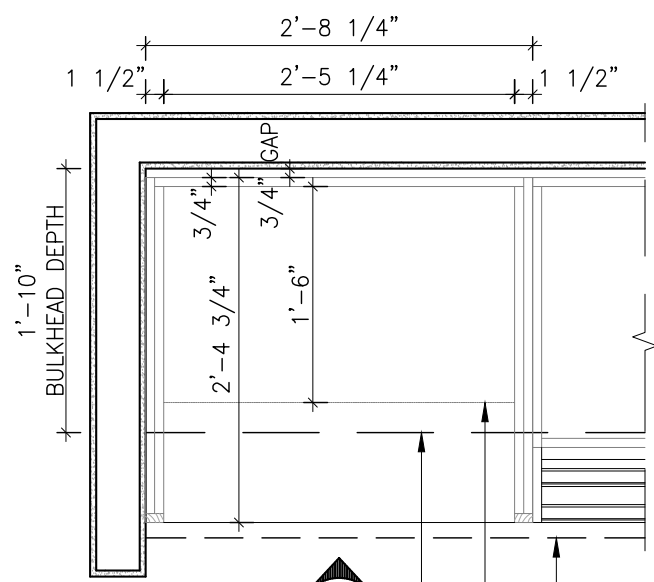
7 DETAIL
F305 3" = 1'-0"



LCBO	300 VINTAGES	REVISION DATE	REV.	3 of 3	ISSUE DATE	STORE TYPE	STORE #
	VINTAGES PERIMETER LOCKABLE DISPLAY UNIT	2017 NOV	15	F305	2021 APR		

NOTE:
SOLID WOOD GRADE TO BE FAS

NOTE:
MILLWORK CONTRACTOR TO ENSURE THAT
FIXTURE IS CONSTRUCTED SO THAT LIGHT
FIXTURES CAN BE SERVICED AND/OR
REMOVED WITHOUT DISMANTLING MILLWORK



DOTTED LINE OF DRYWALL BULKHEAD ABOVE

PROVIDE UPPER STORAGE DOORS IN P. LAM. FIN. NO. (08) W/ FINGER PULL

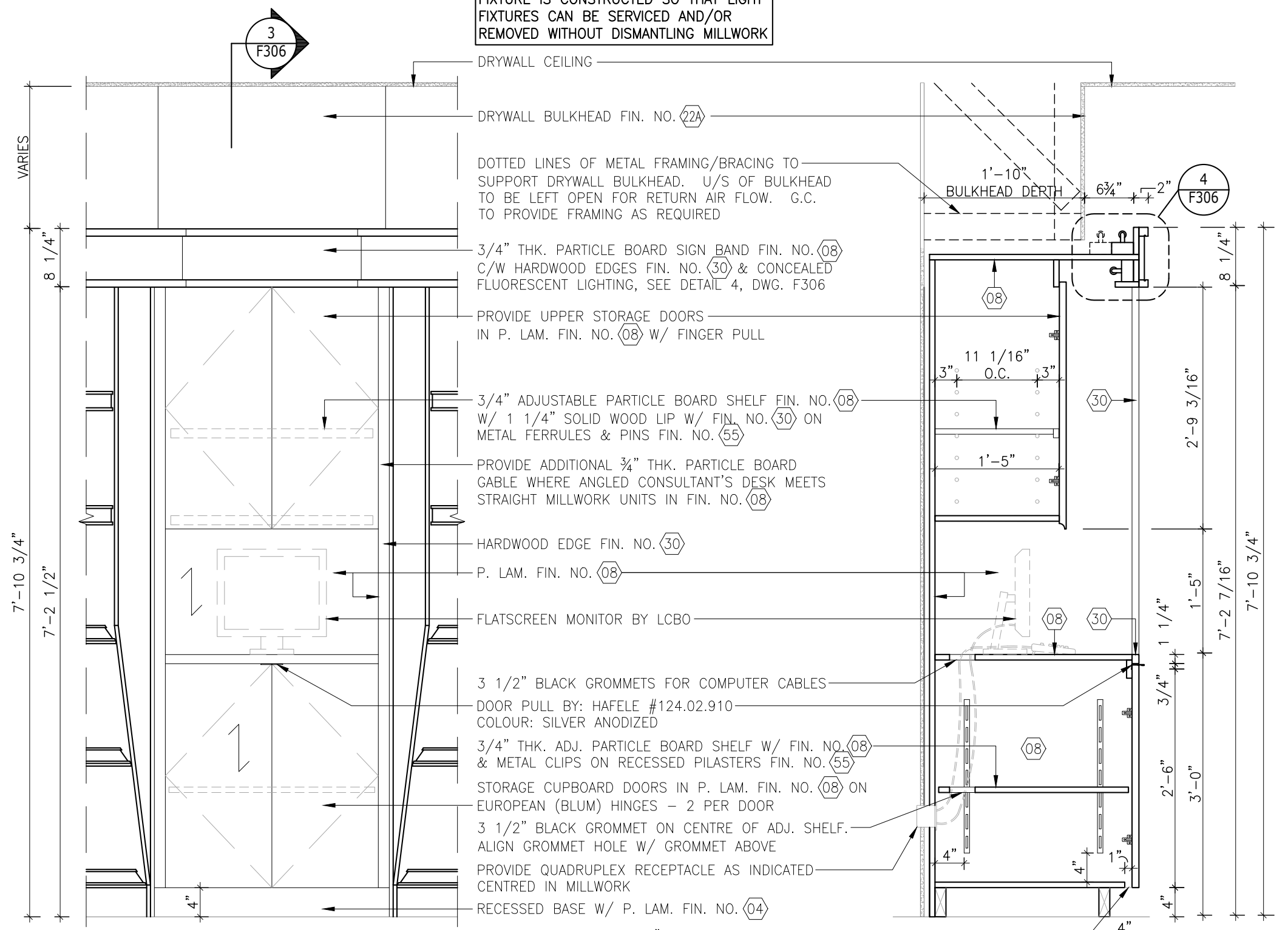
DOTTED LINE OF SIGN BAND ABOVE FIN. NO. (08) C/W HARDWOOD EDGES FIN. NO. (30)

1 PLAN
F306 3/4" = 1'-0"

GENERAL NOTES:
ALL VERTICAL SURFACES ON THE INTERIOR OF THE VINTAGES AREA MILLWORK DETAILS (GABLES, BACK PANELS, AND DIVIDERS) ARE TO BE CONSTRUCTED OF PREFINISHED PARTICLE BOARD W/ MELAMINE FIN. NO. (08) TO BOTH SIDES. MELAMINE (GRAIN TO RUN VERTICALLY). MILLWORK CONTRACTOR TO PROVIDE 1/2" THICK HARDWOOD EDGE IN FIN. NO. (30) TO ALL EXPOSED EDGES.

NOTE:
MILLWORK CONTRACTOR TO PROVIDE (1) COAT OF URETHANE SEALER AND (2) TOP COATS OF SATIN LACQUER TO FIN. NO. (30)

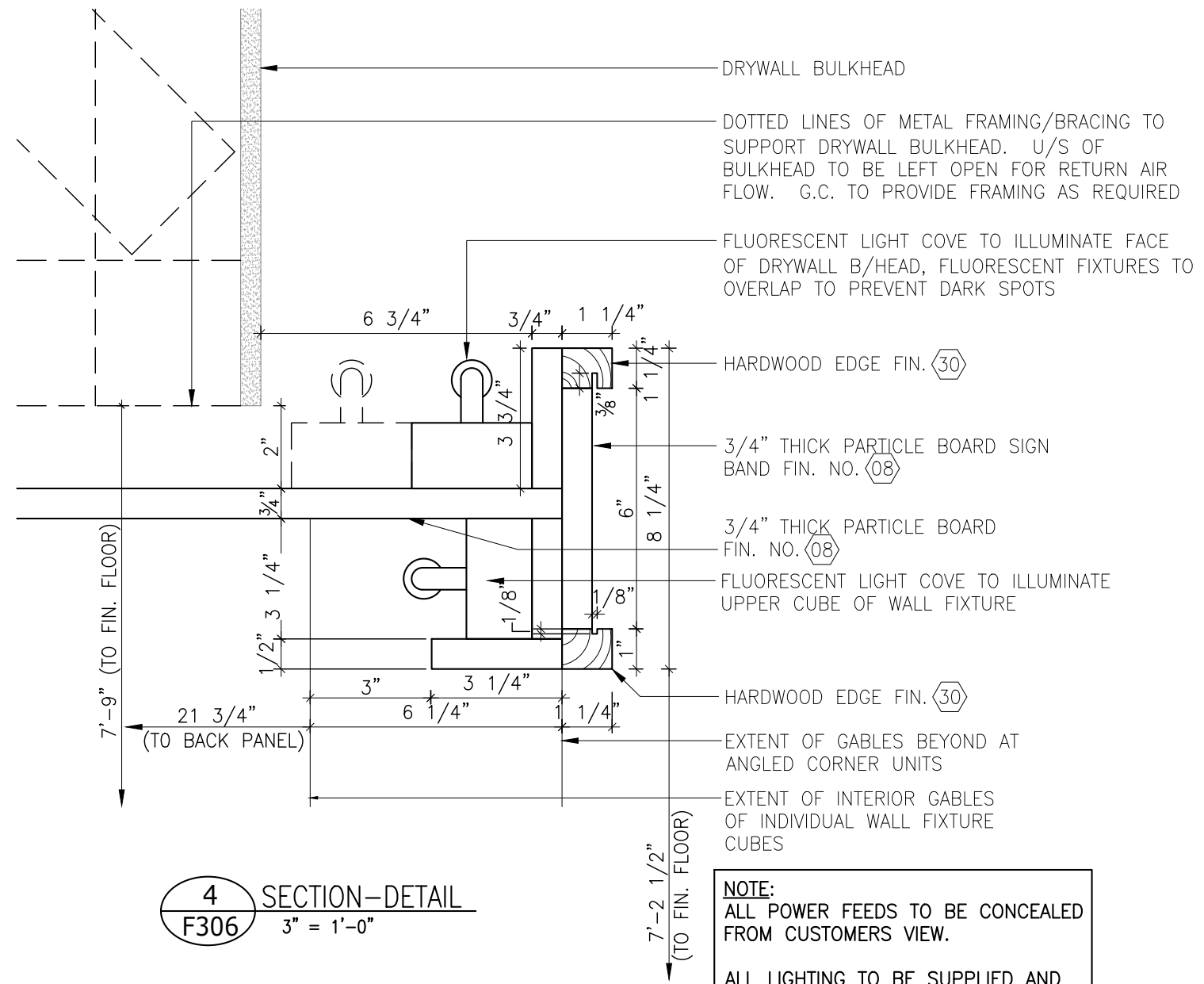
FIXTURE CONTRACTOR TO CONFIRM SIZE & REQUIREMENTS OF COMPUTER & TELEPHONE W/ LCBO



2 ELEVATION
F306 3/4" = 1'-0"

3 SECTION
F306 3/4" = 1'-0"

LCBO	300 VINTAGES	REVISION DATE	REV.	1 of 2	ISSUE DATE	STORE TYPE	STORE #
	VINTAGES CONSULTANT'S DESK	2017 NOV	15	F306	2021 APR		



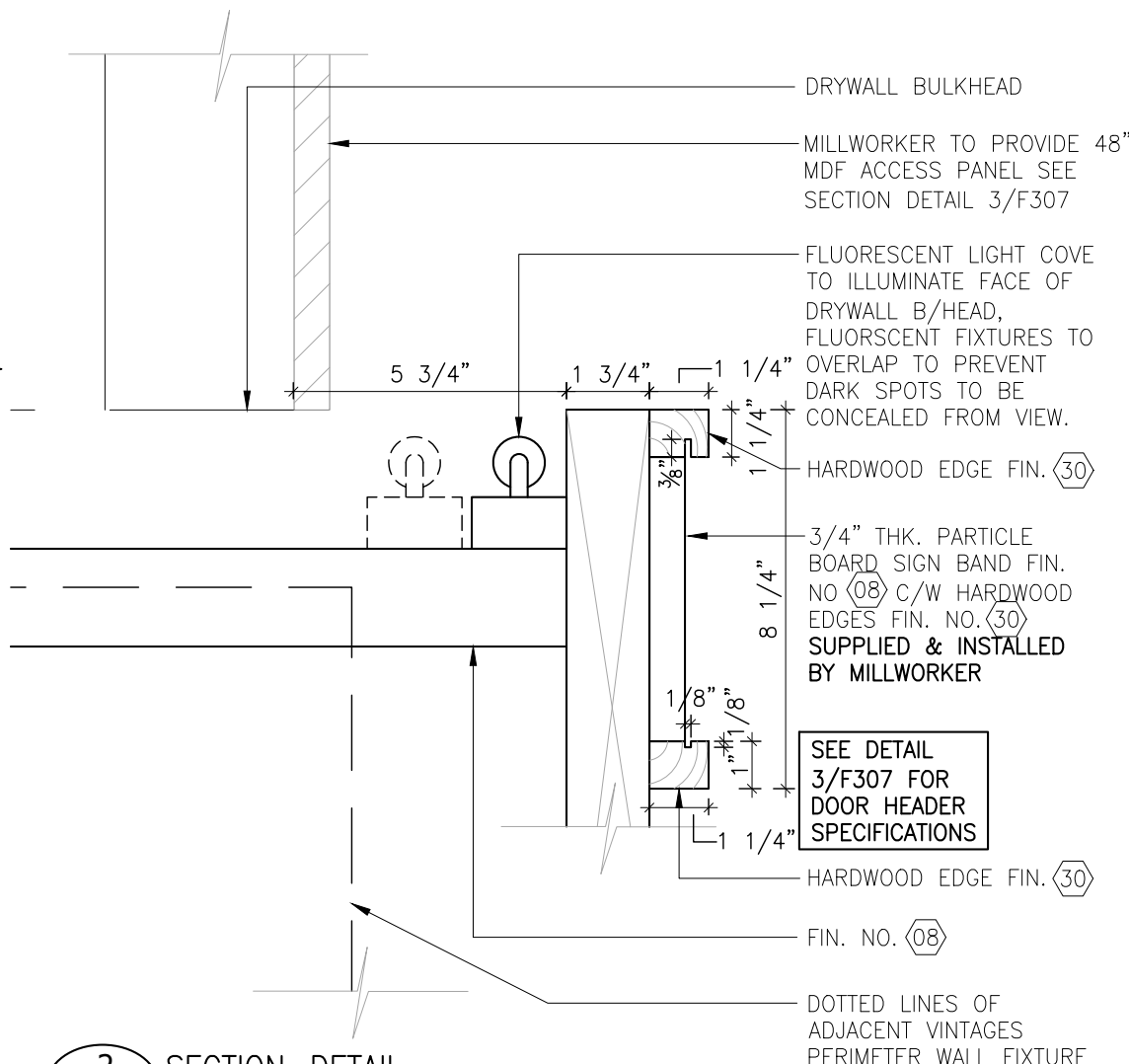
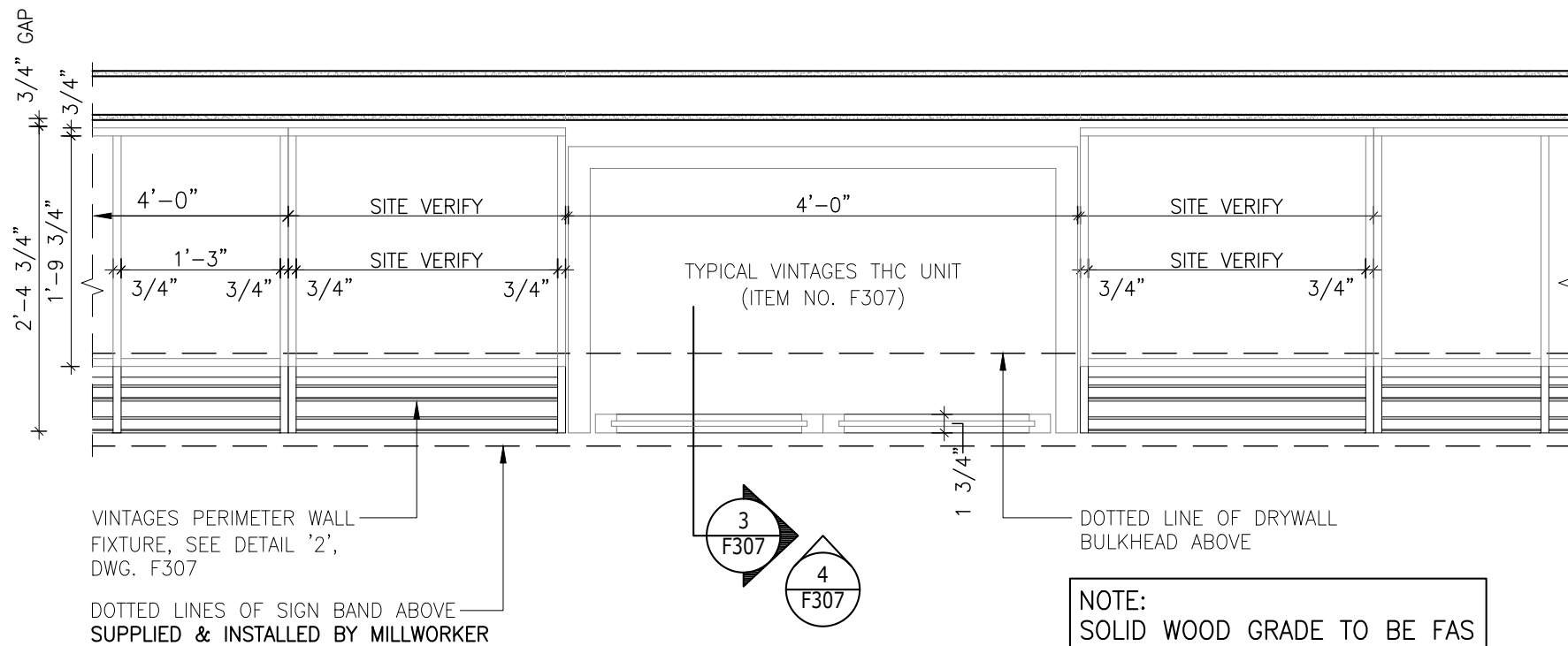
- DRYWALL BULKHEAD
- DOTTED LINES OF METAL FRAMING/BRACING TO SUPPORT DRYWALL BULKHEAD. U/S OF BULKHEAD TO BE LEFT OPEN FOR RETURN AIR FLOW. G.C. TO PROVIDE FRAMING AS REQUIRED
- FLUORESCENT LIGHT COVE TO ILLUMINATE FACE OF DRYWALL B/HEAD, FLUORESCENT FIXTURES TO OVERLAP TO PREVENT DARK SPOTS
- HARDWOOD EDGE FIN. (30)
- 3/4" THICK PARTICLE BOARD SIGN BAND FIN. NO. (08)
- 3/4" THICK PARTICLE BOARD FIN. NO. (08)
- FLUORESCENT LIGHT COVE TO ILLUMINATE UPPER CUBE OF WALL FIXTURE
- HARDWOOD EDGE FIN. (30)
- EXTENT OF GABLES BEYOND AT ANGLED CORNER UNITS
- EXTENT OF INTERIOR GABLES OF INDIVIDUAL WALL FIXTURE CUBES

4 SECTION-DETAIL
F306 3" = 1'-0"

NOTE:
 ALL POWER FEEDS TO BE CONCEALED FROM CUSTOMERS VIEW.
 ALL LIGHTING TO BE SUPPLIED AND INSTALLED BY G.C. CO-ORDINATE ALL DETAILS WITH MILLWORK CONTRACTOR.

NOTE:
 MILLWORK CONTRACTOR TO ENSURE THAT FIXTURE IS CONSTRUCTED SO THAT LIGHT FIXTURES CAN BE SERVICED AND/OR REMOVED WITHOUT DISMANTLING MILLWORK

LCBO	VINTAGE	REVISION DATE	REV.	2 of 2	ISSUE DATE	STORE TYPE	STORE #
	VINTAGES CONSULTANT'S DESK	2017 NOV	15	F306	2021 APR		



2 SECTION-DETAIL
F307 3" = 1'-0"

HARDWARE SPECIFICATIONS:

ADAM RITE DEADLOCK #ARMS1850S410628
MORTISE CYLINDER #LSM1002SCC26D
1" C/W (2) KEYS CLEAR ANODIZED ALUMINUM FINISH
STRIKE FOR HOOK BOLT #ARMS4001031628
SPACER RING #IL861F2810 - 1/4" THK.
CLEAR ANODIZED ALUMINUM
NOTE: LOCK CYLINDER TO BE SUPPLIED & INSTALLED BY LCBO

12" LONG EXTENSION BOLT W/ SLEEVE BY RICHELIEU
MODEL: #17153 (BRUSHED NICKEL FINISH)

4" LONG SURFACE BOLT W/ SLEEVE BY RICHELIEU
MODEL: #392NBV (BRUSHED NICKEL FINISH)

3" .060 GA 8FT LONG CONTINUOUS
PIANO HINGE BY RICHELIEU
MODEL: #76096180 (BRUSHED NICKEL FINISH)

DOOR PULL BY RICHELIEU
MODEL: #458160195 (BRUSHED NICKEL FINISH)

GENERAL NOTES:

EXTERIOR:

- THC UNIT SUPPLIER TO PROVIDE 1/2" BEECH VENEER PLYWOOD FINISH NO. (30) - (1) COAT CLEAR URETHANE SEALER AND (2) TOP COATS SATIN LACQUER TO FIN. (30)

INTERIOR:

- 1/2" BOTTLE RACKING, SHELVES & BRACKETS CLEAR CEDAR UNFINISHED (RESISTANT TO TEMPERATURE FLUCTUATIONS, MOULD, ETC.)

LIGHTING/TEMPERATURE CONTROL:

- DIGITAL TEMPERATURE CONTROL WITH AUDIO ALARM PRESET
- OVERHEATING TEMPERATURE 12C-16C
- OPTIMAL TEMP 54F
- REMOTE INDOOR CONDENSING UNIT R404A 115V 20A
- (UNIT TO BE MOUNTED ON BRACKETS IN WAREHOUSE WHEN ACCESSIBLE FROM INTERIOR WALL IN WAREHOUSE)
- CASE REQUIRES 115V 15A CIRCUIT

MILLWORK CONTRACTOR TO SUPPLY FASCIA SIGN BAND, REMOVABLE BASE & PANEL IN BULKHEAD ABOVE.

- ALL LIGHTING WITHIN F307 UNIT TO BE SUPPLIED BY MANUFACTURER W/ ALL FINAL CONNECTIONS BY GC. MANUFACTURER & GC. TO COORDINATE AS REQ'D.

L.E.D. STRIPLIGHT SPECIFICATIONS:

LED LIGHTSTRIPS BY TECHNILITE:
MODEL#: L3-32-GI-SEB
LENGTH=12"
OUTPUT=2.4 WATTS / 97 LUMENS PER FT.
COLOUR TEMP. 3200°K
DURATION: 50,000 HRS

NOTE:

G.C. TO PROVIDE ACCESS TO THC UNIT FROM WAREHOUSE SIDE (IF POSSIBLE), OTHERWISE PROVIDE ACCESS PANEL IN BULKHEAD ABOVE UNIT AS SHOWN. G.C TO COORDINATE WITH LCBO DESIGN COORDINATOR.

ALL POWER FEEDS TO BE CONCEALED FROM CUSTOMERS VIEW.

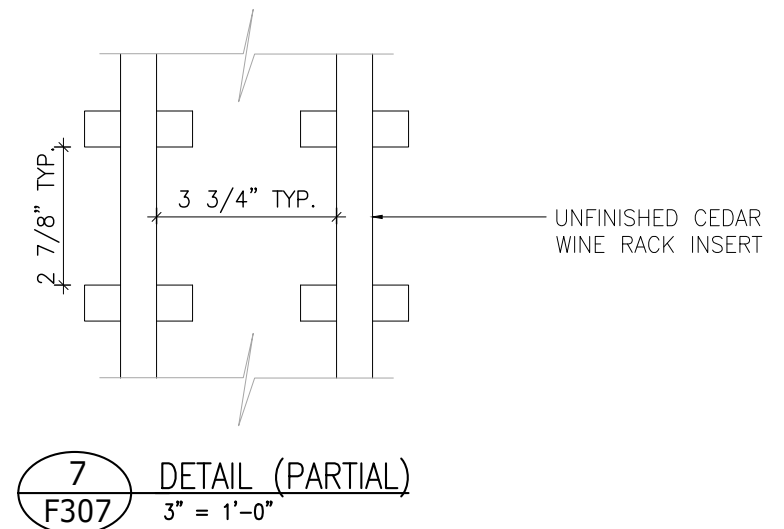
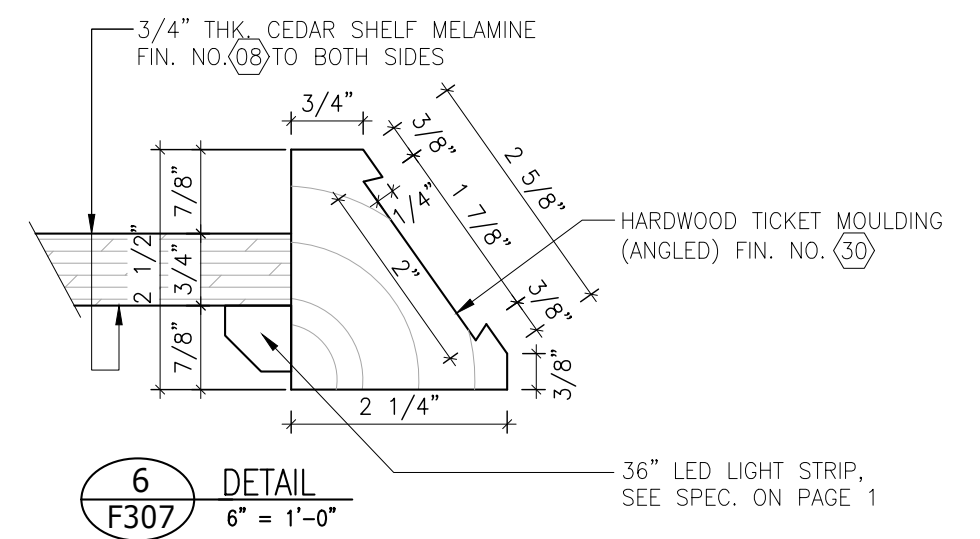
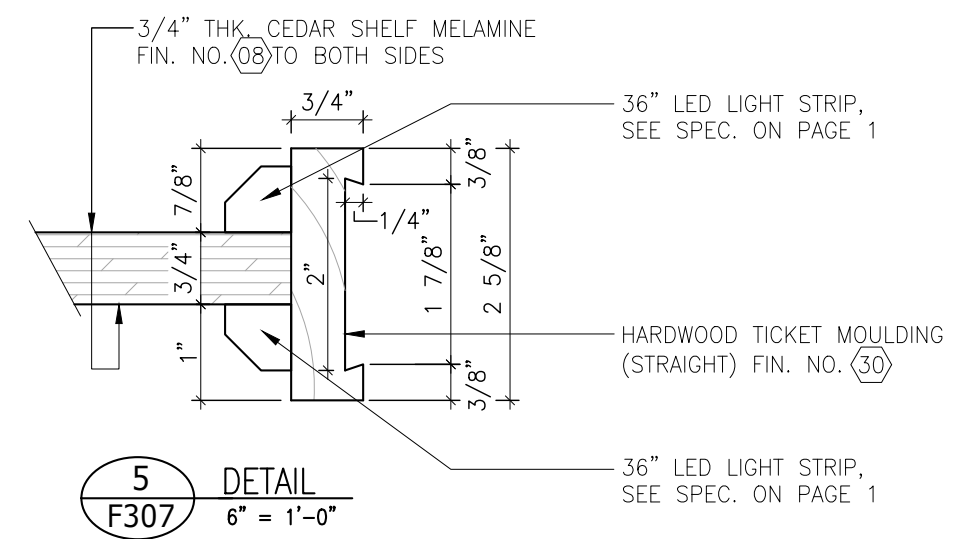
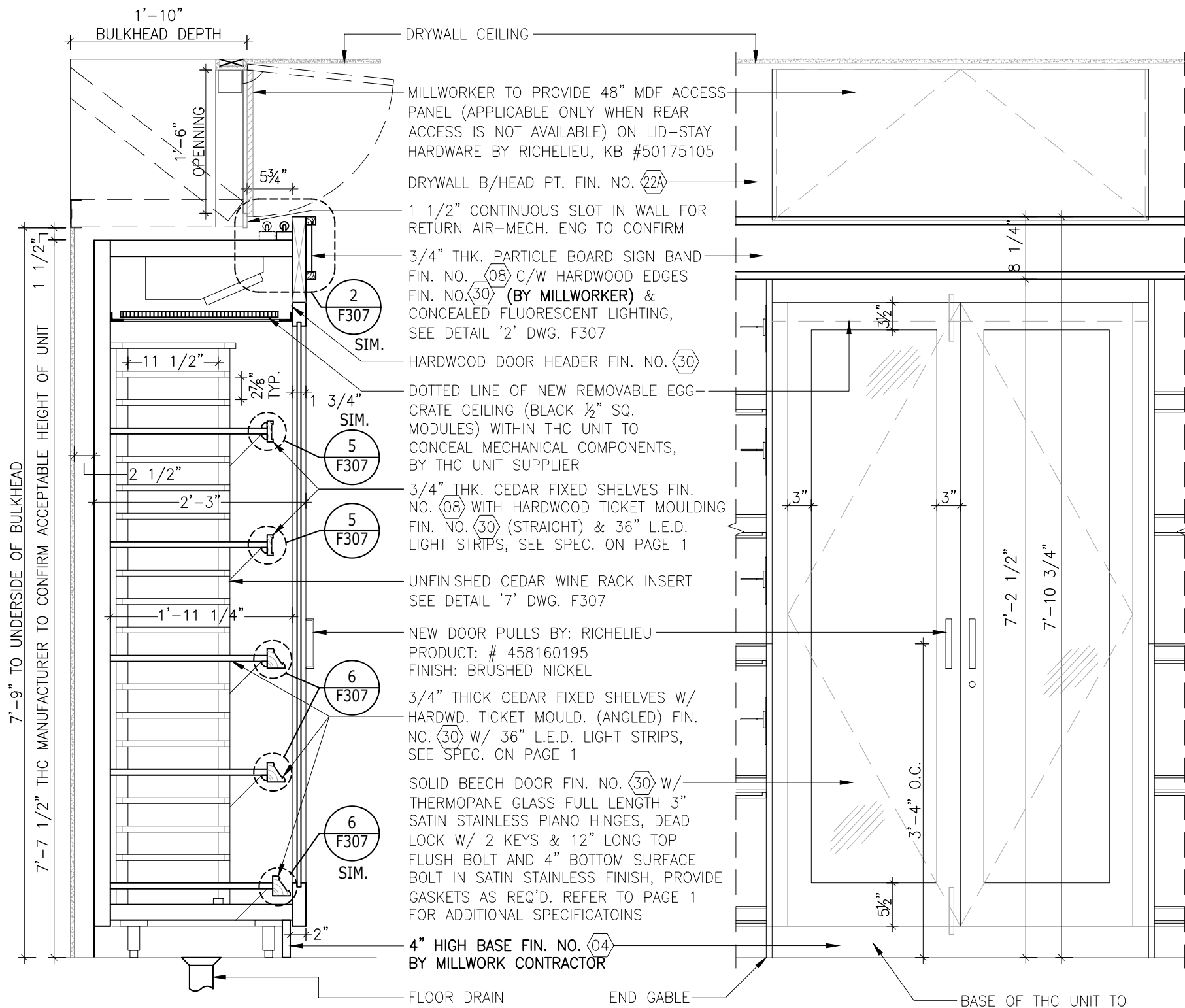
G.C. TO ENSURE THAT COVE LIGHTING IS CONCEALED.

LOCKS FOR F204, F205, F255, F256, F268, F269, F270, F276, F277, F278, F305, F307, F331, F333, F358, F359, F360, F361, F407, F415 AND F416 TO BE KEYED ALIKE

G.C. TO COORDINATE W/ LCBO RE: APPROVED SUPPLIER OF THC UNIT.

1 PLAN
F307 3/4" = 1'-0"

LCBO	300 VINTAGES	REVISION DATE	REV.	1 of 2	ISSUE DATE	STORE TYPE	STORE #
	VINTAGES THC UNIT	2021 MAR	17	F307	2021 APR		



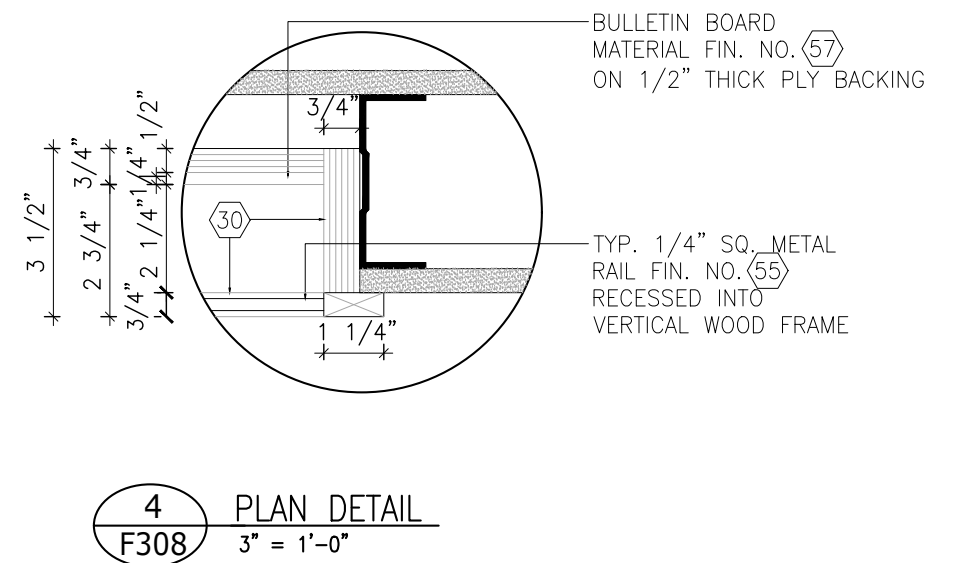
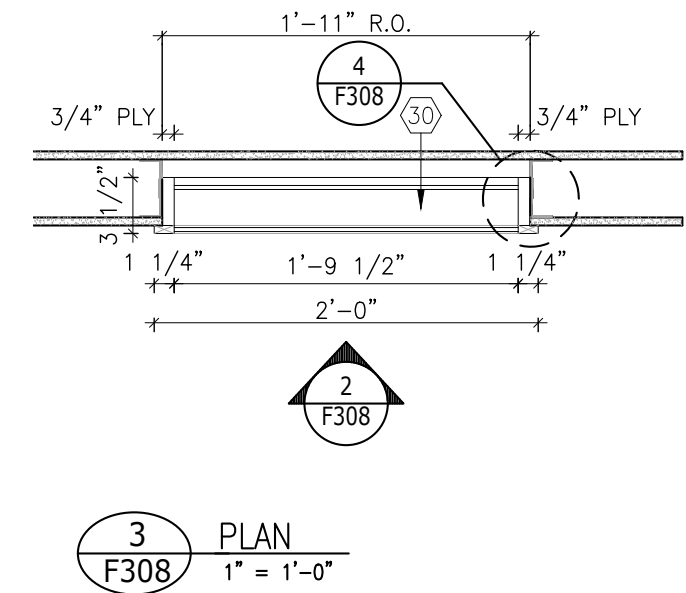
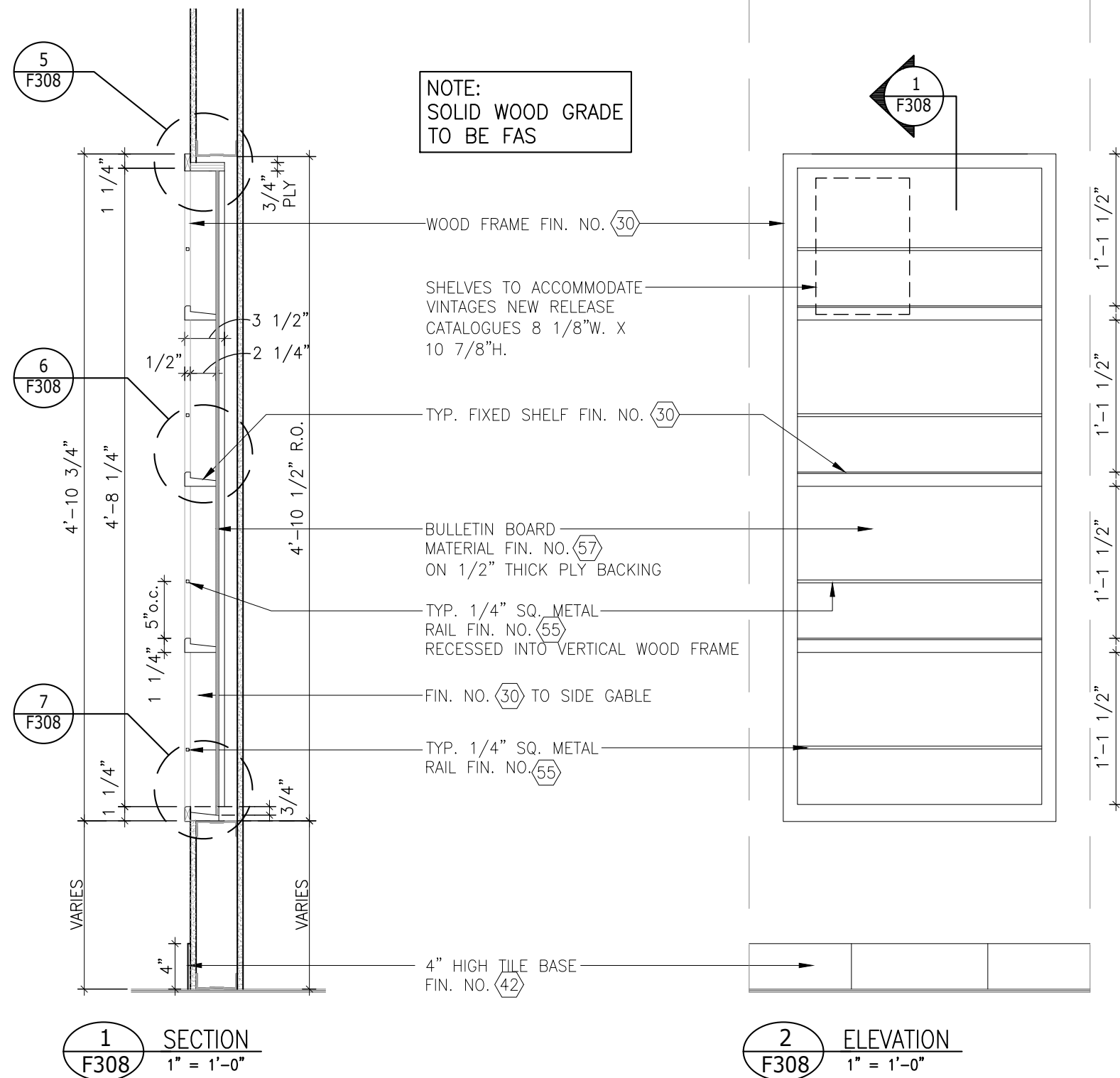
3 SECTION
F307 3/4" = 1'-0"

NOTE:
SOLID WOOD GRADE TO BE FAS

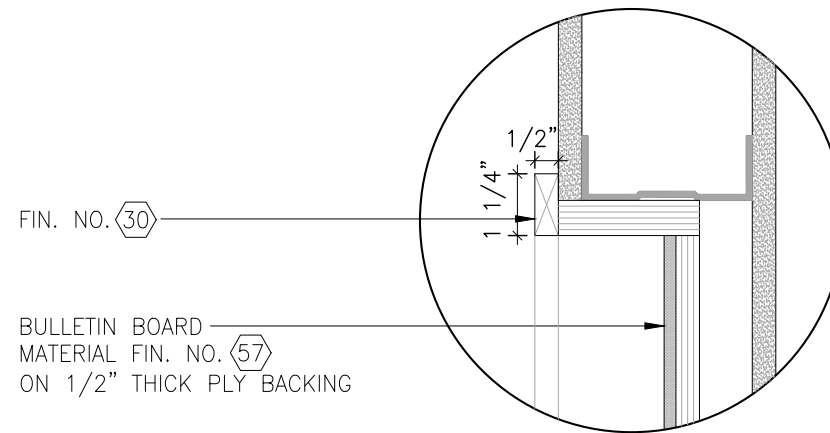
4 ELEVATION
F307 3/4" = 1'-0"

7 DETAIL (PARTIAL)
F307 3" = 1'-0"

LCBO	300 VINTAGES	REVISION DATE	REV.	2 of 2	ISSUE DATE	STORE TYPE	STORE #
	VINTAGES THC UNIT	2021 MAR	17	F307	2021 APR		



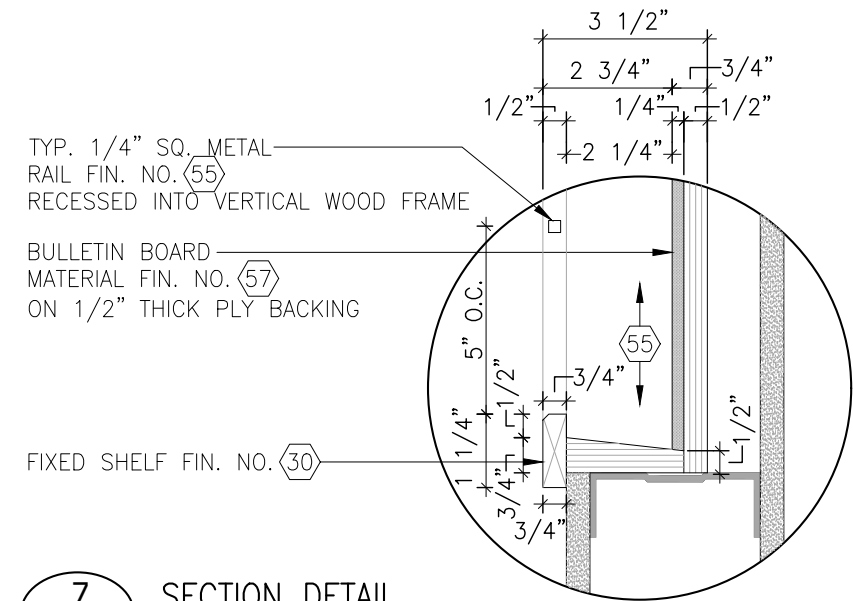
LCBO	300 VINTAGES	REVISION DATE	REV.	1 of 2	ISSUE DATE	STORE TYPE	STORE #
	VINTAGES SMALL CORKBOARD/ BROCHURE HOLDER (RECESSED)	2017 NOV	15	F308	2021 APR		



FIN. NO. (30)

BULLETIN BOARD
MATERIAL FIN. NO. (57)
ON 1/2" THICK PLY BACKING

5 SECTION DETAIL
F308 3" = 1'-0"



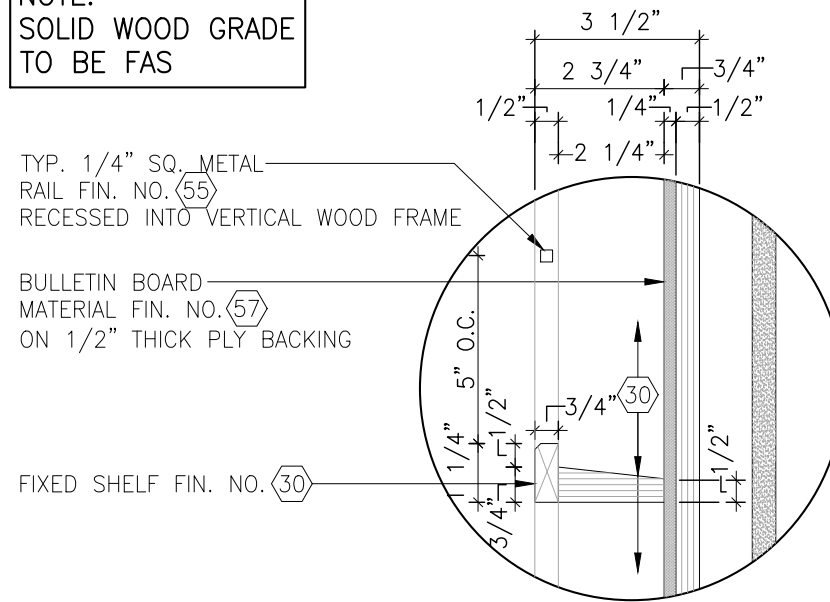
TYP. 1/4" SQ. METAL
RAIL FIN. NO. (55)
RECESSED INTO VERTICAL WOOD FRAME

BULLETIN BOARD
MATERIAL FIN. NO. (57)
ON 1/2" THICK PLY BACKING

FIXED SHELF FIN. NO. (30)

7 SECTION DETAIL
F308 3" = 1'-0"

NOTE:
SOLID WOOD GRADE
TO BE FAS



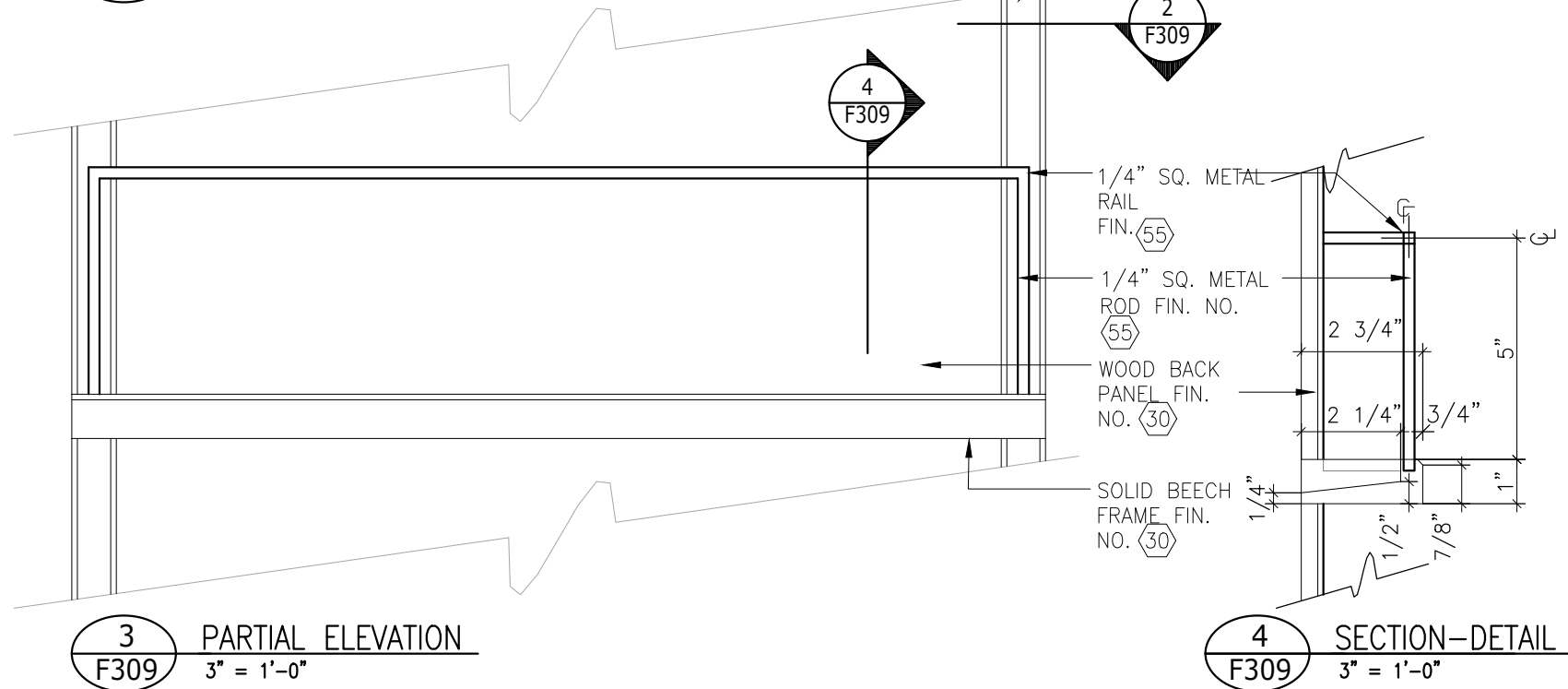
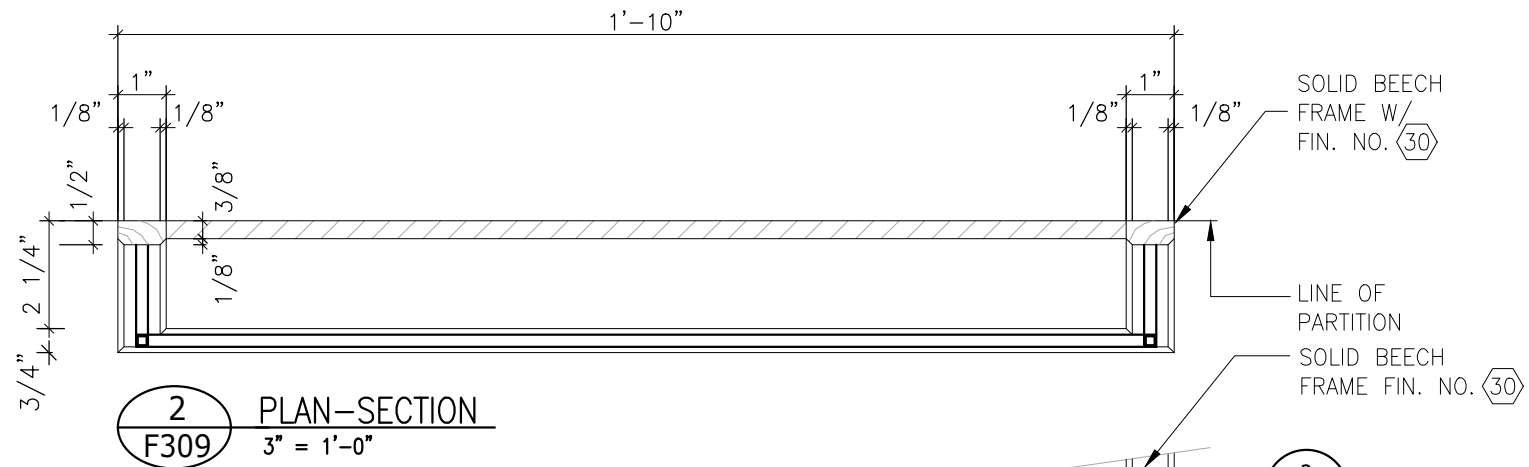
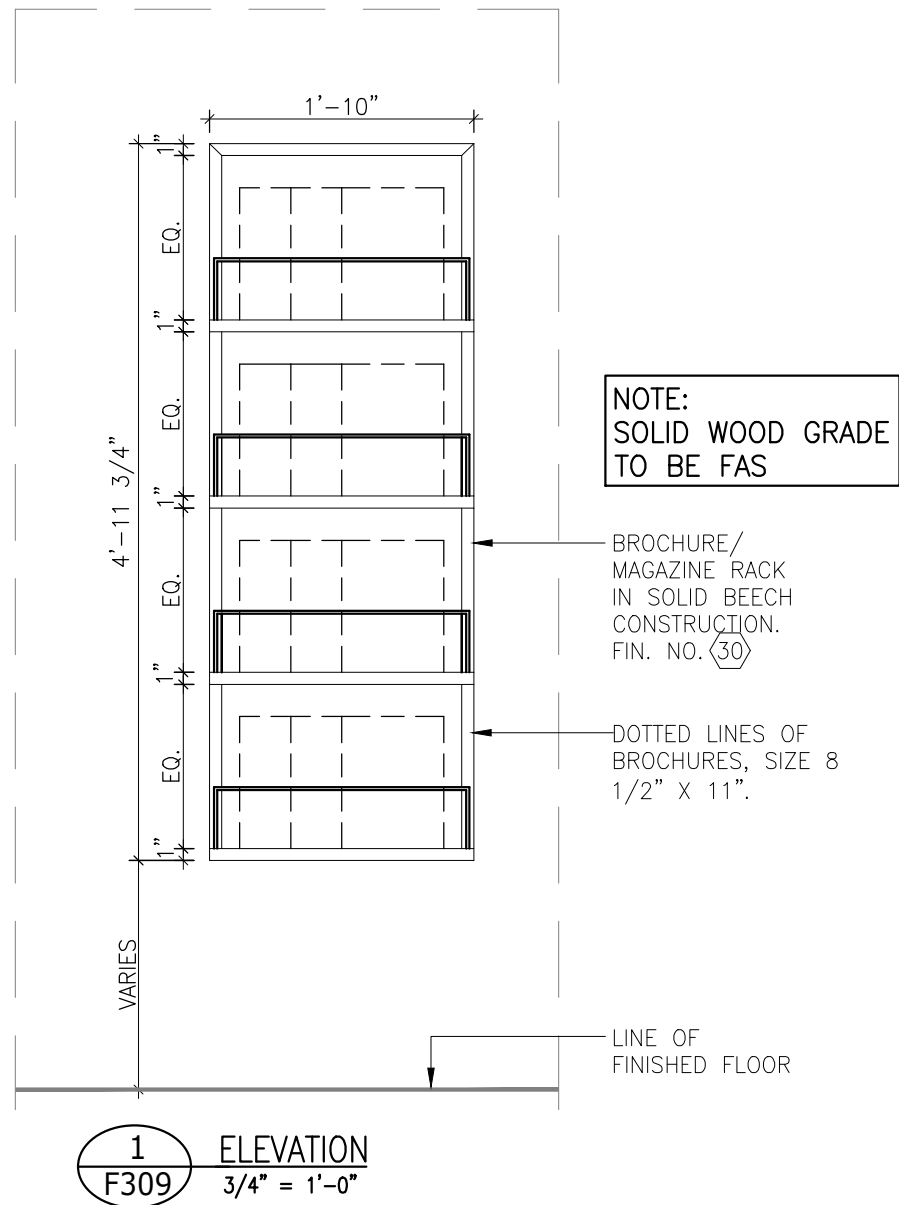
TYP. 1/4" SQ. METAL
RAIL FIN. NO. (55)
RECESSED INTO VERTICAL WOOD FRAME

BULLETIN BOARD
MATERIAL FIN. NO. (57)
ON 1/2" THICK PLY BACKING

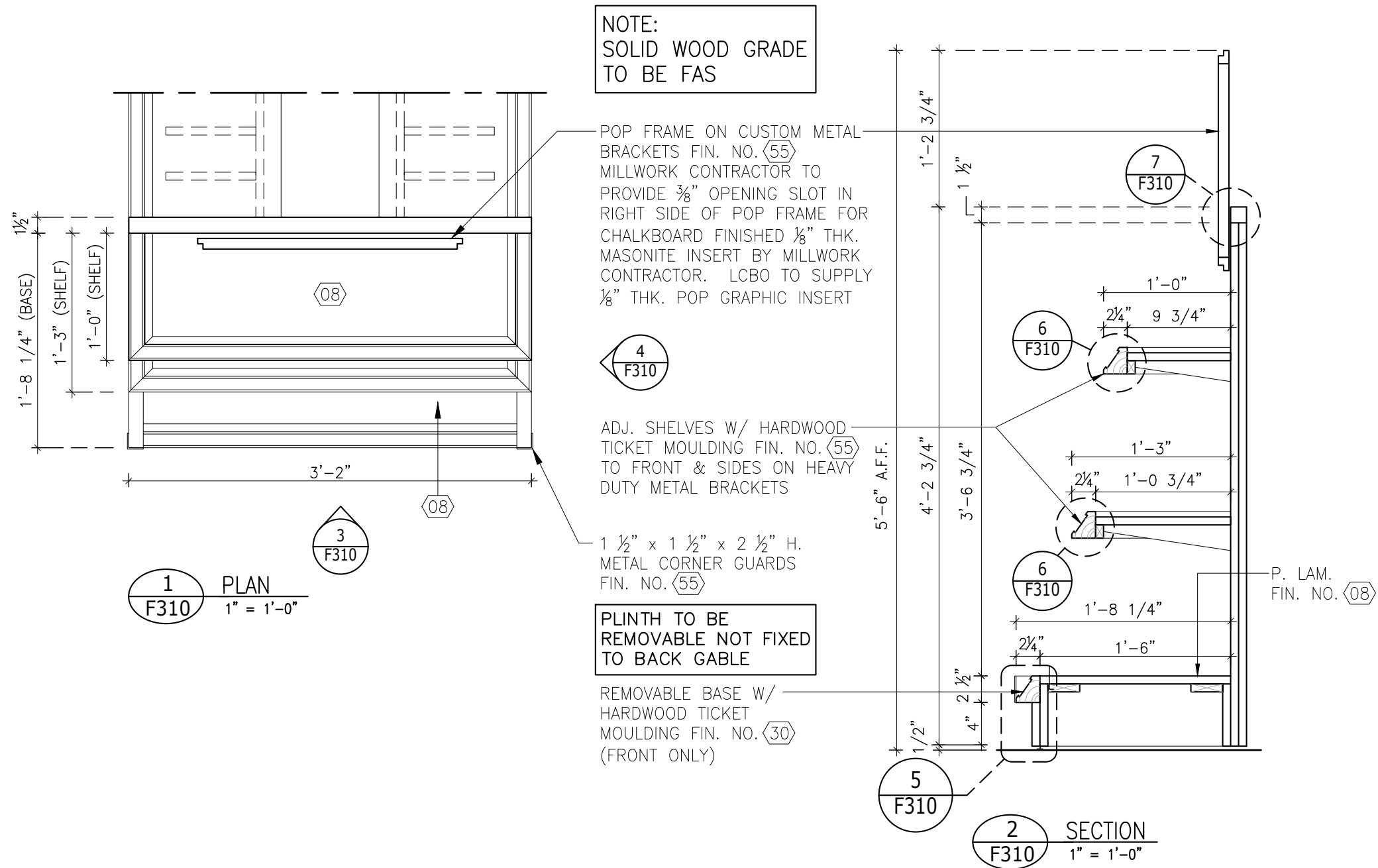
FIXED SHELF FIN. NO. (30)

6 SECTION DETAIL
F308 3" = 1'-0"

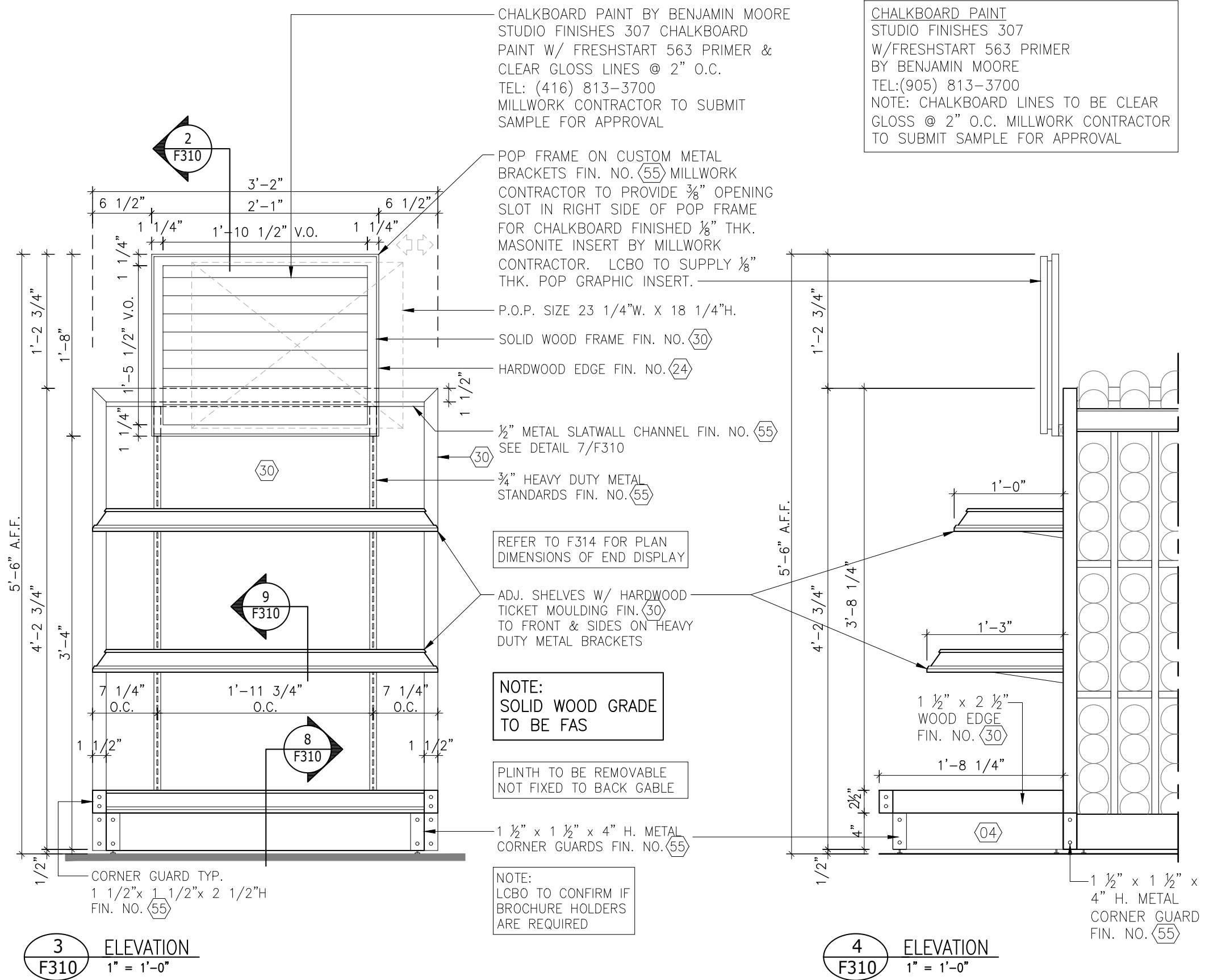
LCBO	300 VINTAGES	REVISION DATE	REV.	2 of 2	ISSUE DATE	STORE TYPE	STORE #
	VINTAGES SMALL CORKBOARD/ BROCHURE HOLDER (RECESSED)	2017 NOV	15	F308	2021 APR		



LCBO	300 VINTAGES	REVISION DATE	REV.	1 of 1	ISSUE DATE	STORE TYPE	STORE #
	VINTAGES LARGE BROCHURE RACK	2017 NOV	15	F309	2021 APR		



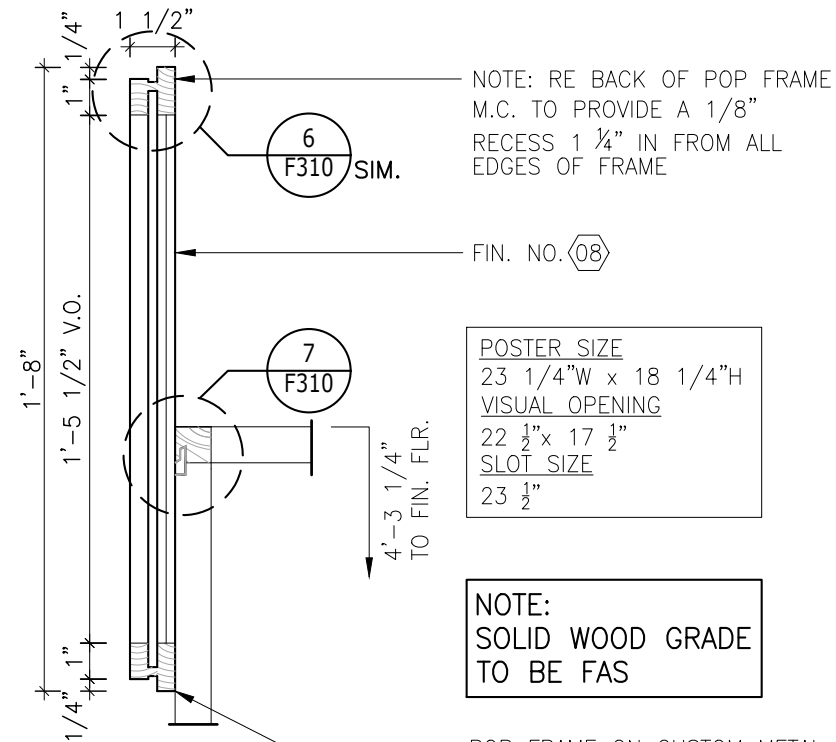
LCBO	300 VINTAGES	REVISION DATE	REV.	1 of 3	ISSUE DATE	STORE TYPE	STORE #
	VINTAGES TROLLEY CART END DISPLAY UNIT W/ CHALKBOARD (3'-2" WIDE)	2017 NOV	15	F310	2021 APR		



3 ELEVATION
F310 1" = 1'-0"

4 ELEVATION
F310 1" = 1'-0"

LCBO	300 VINTAGES	REVISION DATE	REV.	2 of 3	ISSUE DATE	STORE TYPE	STORE #
	VINTAGES TROLLEY CART END DISPLAY UNIT W/ CHALKBOARD (3'-2" WIDE)	2017 NOV	15	F310	2021 APR		



NOTE: RE BACK OF POP FRAME M.C. TO PROVIDE A 1/8" RECESS 1/4" IN FROM ALL EDGES OF FRAME

FIN. NO. 08

POSTER SIZE
23 1/4"W x 18 1/4"H
VISUAL OPENING
22 1/2" x 17 1/2"
SLOT SIZE
23 1/2"

NOTE:
SOLID WOOD GRADE
TO BE FAS

POP FRAME ON CUSTOM METAL BRACKETS FIN. NO. 55
MILLWORK CONTRACTOR TO PROVIDE 3/8" OPENING SLOT IN RIGHT SIDE OF POP FRAME FOR CHALKBOARD FINISHED 1/8" THK. MASONITE INSERT BY MILLWORK CONTRACTOR. LCBO TO SUPPLY 1/8" THK. POP GRAPHIC INSERT.

5 SECTION
F310 1 1/2" = 1'-0"

REMOV. 1/8" MASONITE PANEL 24" H. x 30" W. W/ CHALKBOARD PAINT BY BENJAMIN MOORE STUDIO FINISHES 307 CHALKBOARD PAINT W/ FRESHSTART 563 PRIMER & CLEAR GLOSS LINES @ 2" O.C. TEL: (416) 813-3700 MILLWORK CONTRACTOR TO SUBMIT SAMPLE FOR APPROVAL

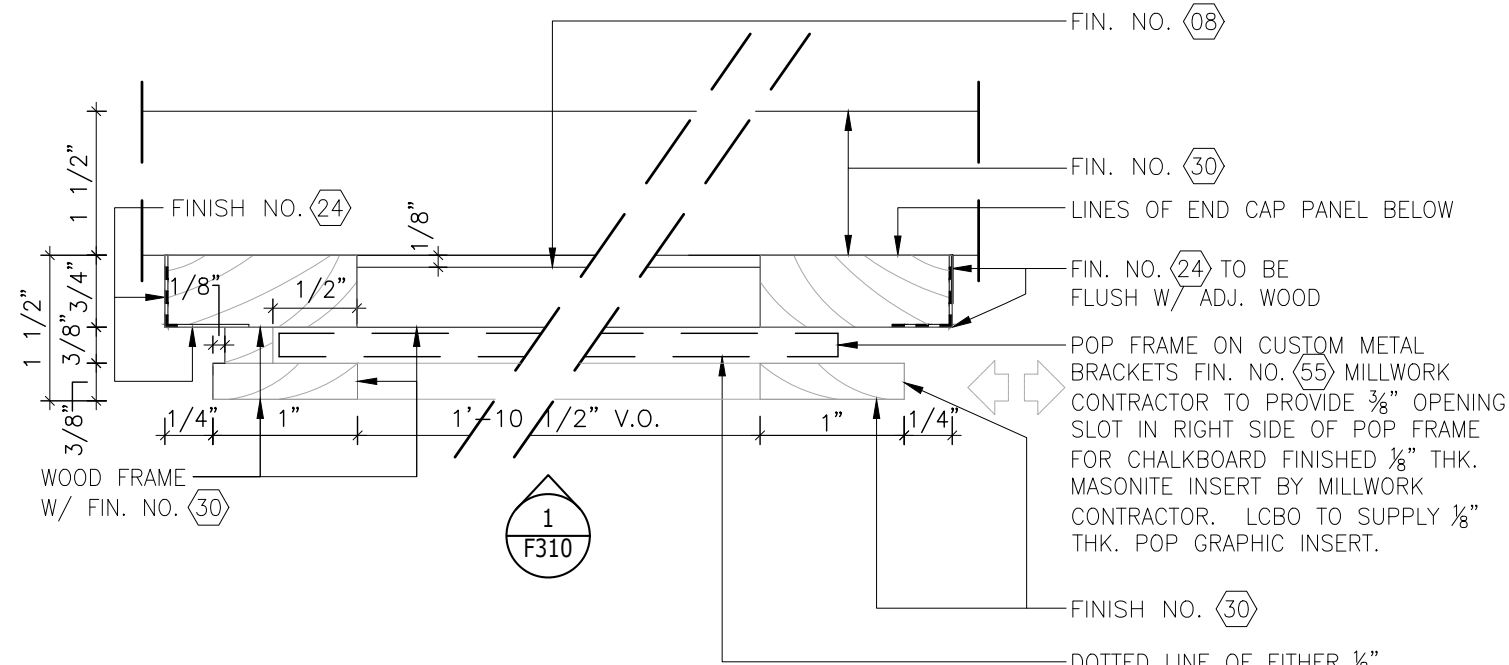
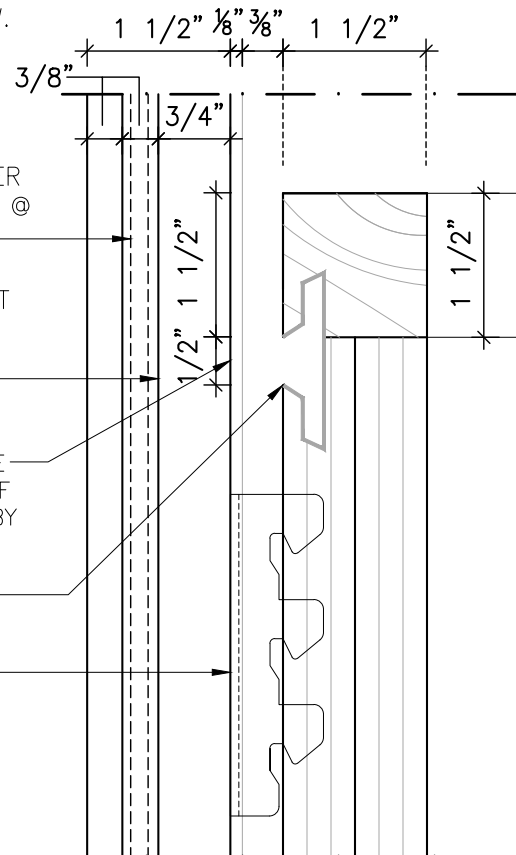
FACE OF BACK PANEL TO REMAIN UNFINISHED

SLATWALL TYPE HARDWARE SCREW FIXED TO BACK OF P.O.P. FRAME SUPPLIED BY MILLWORK CONTRACTOR

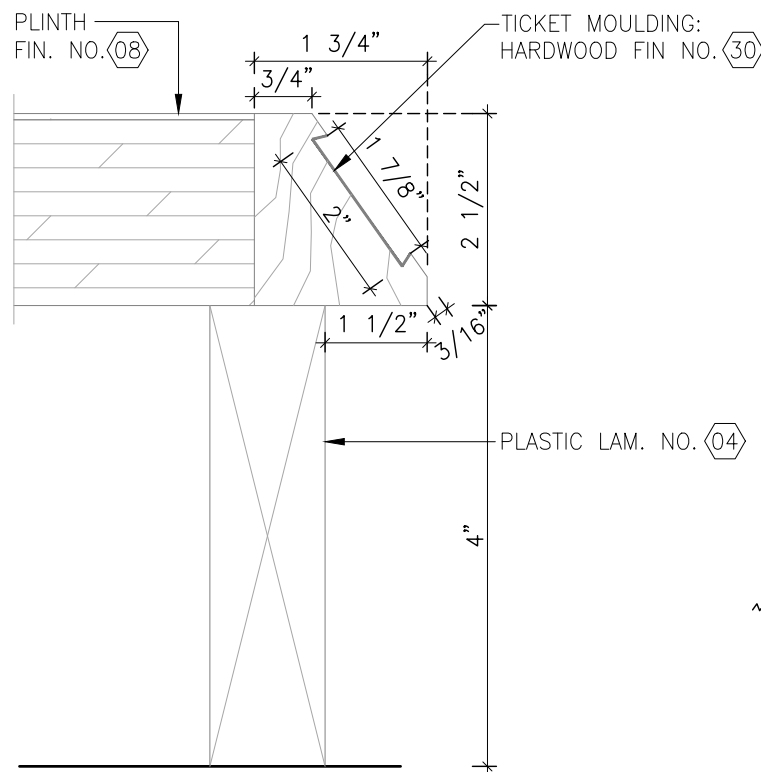
1/2" METAL SLATWALL CHANNEL FIN. NO. 55

CUSTOM METAL BRACKET FIN. NO. 55

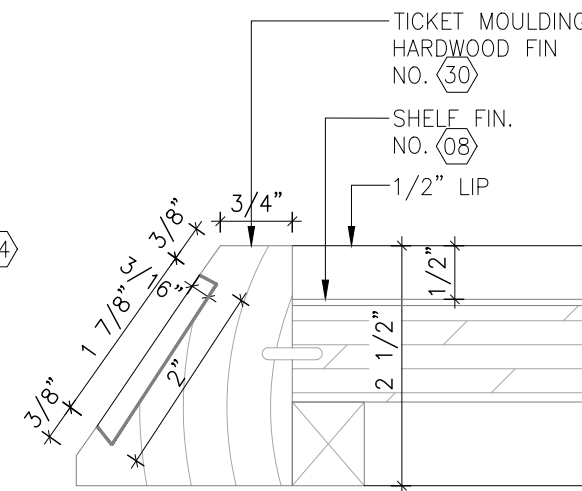
7 DETAIL
F310 6" = 1'-0"



6 PLAN SECTION
F310 N.T.S.



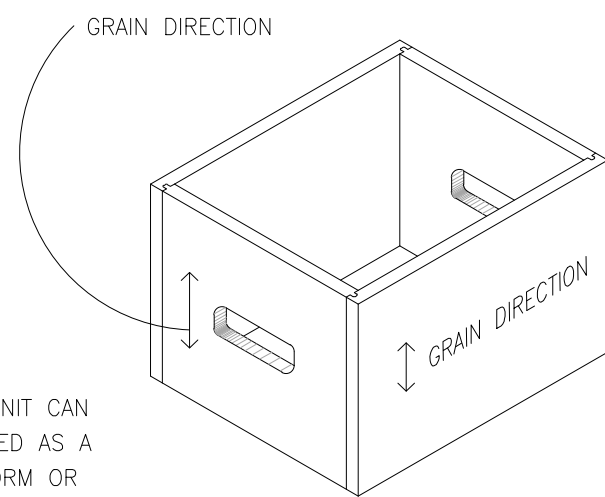
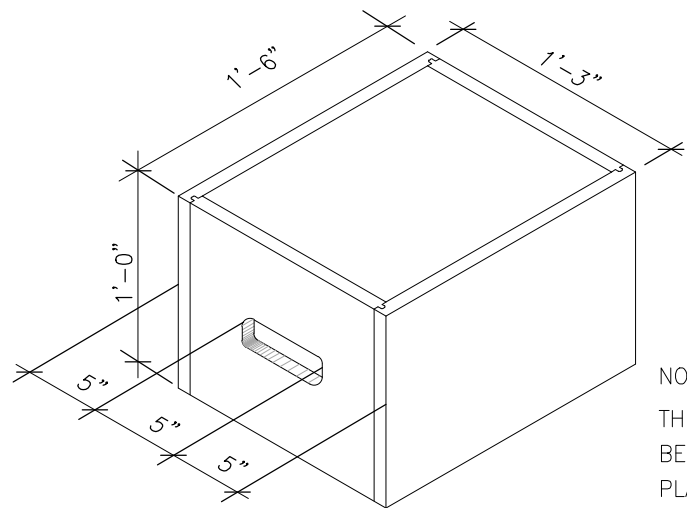
8 SECTION (BASE)
F310 6" = 1'-0"



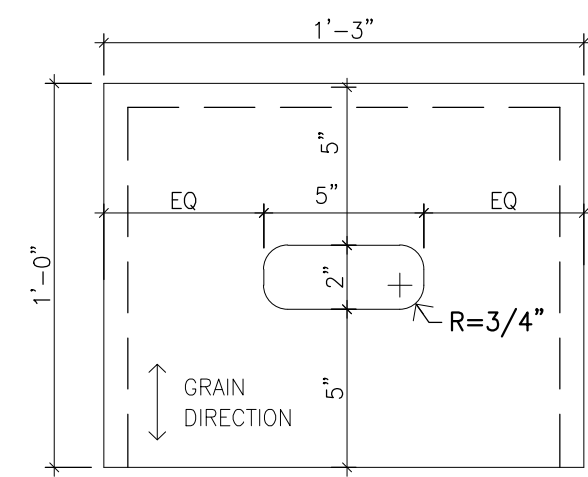
9 SECTION (ANGLED TICKET MOULDING)
F310 6" = 1'-0"

NOTE:
SOLID WOOD GRADE
TO BE FAS

LCBO	300 VINTAGES	REVISION DATE	REV.	3 of 3	ISSUE DATE	STORE TYPE	STORE #
	VINTAGES TROLLEY CART END DISPLAY UNIT W/ CHALKBOARD (3'-2" WIDE)	2017 NOV	15	F310			



NOTE:
THIS UNIT CAN
BE USED AS A
PLATFORM OR
A CONTAINER.



1 TYPE 'A'
F311 N.T.S.

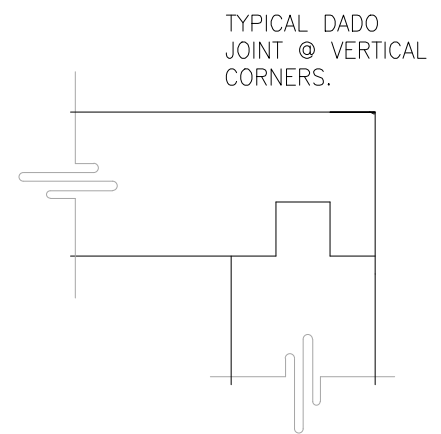
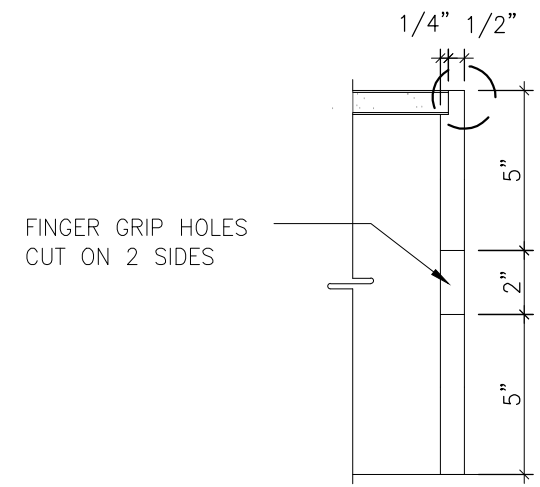
2 TYPE 'A'
F311 N.T.S.

3 TYPE 'A' ELEVATION
F311 2" = 1'-0"

NOTES

UNITS TO BE CONSTRUCTED OF 3/4" BEECH PLYWOOD FIN. NO. 30 SEALED W/CLEAR LACQUER FINISH. EDGES TO BE FINISHED PLYWOOD NOT BEECH VENEER.

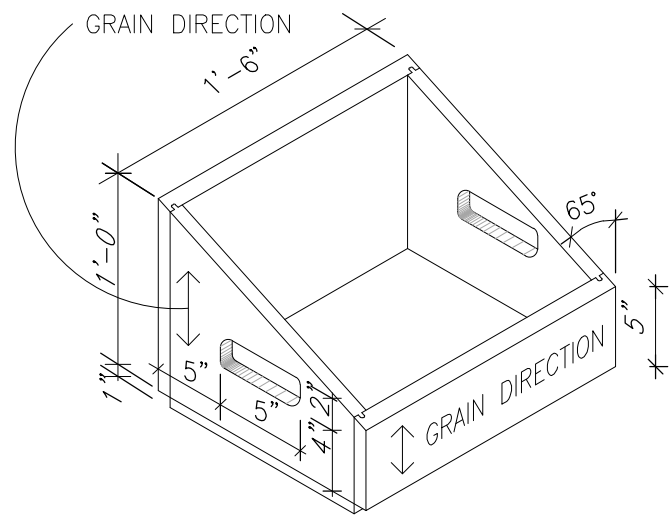
REFER TO ITEMIZATION LEGEND FOR QUANTITY OF PRODUCT RISERS



4 TYPICAL SECTION
F311 N.T.S.

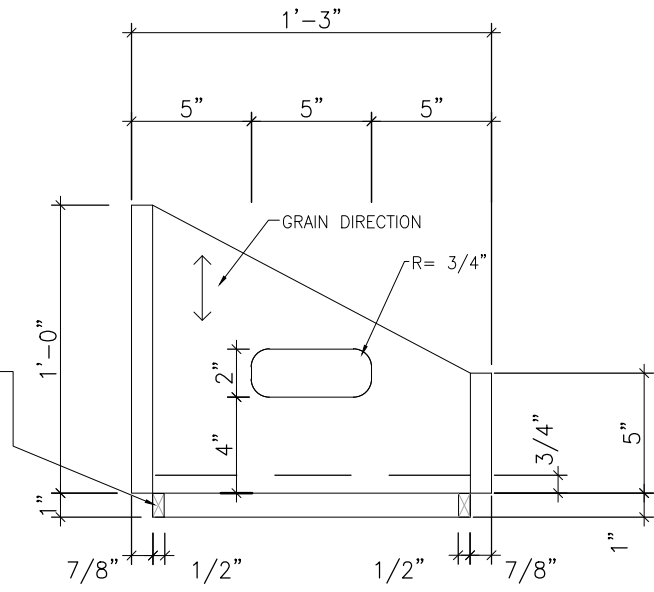
5 TYPICAL CORNER SECTION
F311 N.T.S.

LCBO	300 VINTAGES	REVISION DATE	REV.	1 of 1	ISSUE DATE	STORE TYPE	STORE #
	VINTAGES PRODUCT RISER (TYPE A)	2017 NOV	15	F311	2021 APR		



1 TYPE 'B'
F312 N.T.S.

1/2" THK. WOOD
FRAME AROUND
PERIMETER FOR
TIGHT FIT W/
PRODUCT RISER
TYPE "A"

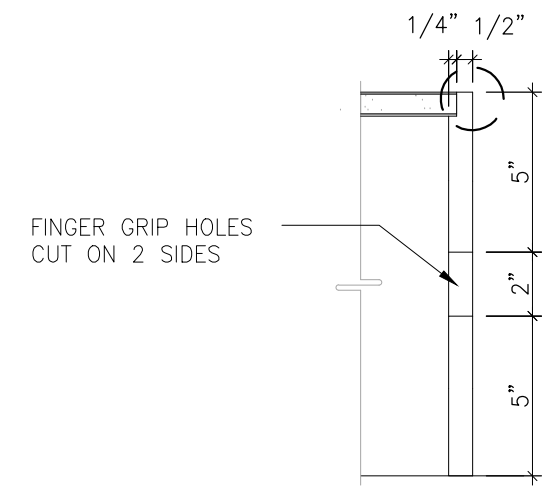


2 TYPE 'B' SIDE ELEVATION
F312 1 1/2" = 1'-0"

NOTES

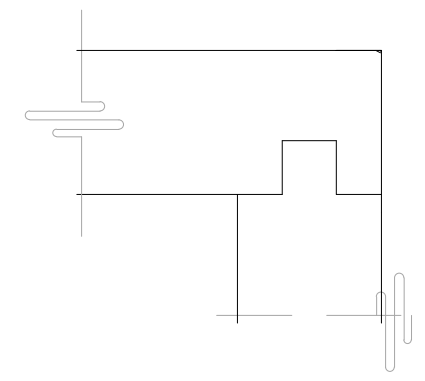
UNITS TO BE CONSTRUCTED
OF 3/4" BEECH PLYWOOD
FIN. NO. (30)
SEALED W/CLEAR LACQUER
FINISH. EDGES TO BE
FINISHED PLYWOOD NOT
BEECH VENEER.

REFER TO ITEMIZATION
LEGEND FOR QUANTITY
OF PRODUCT RISERS

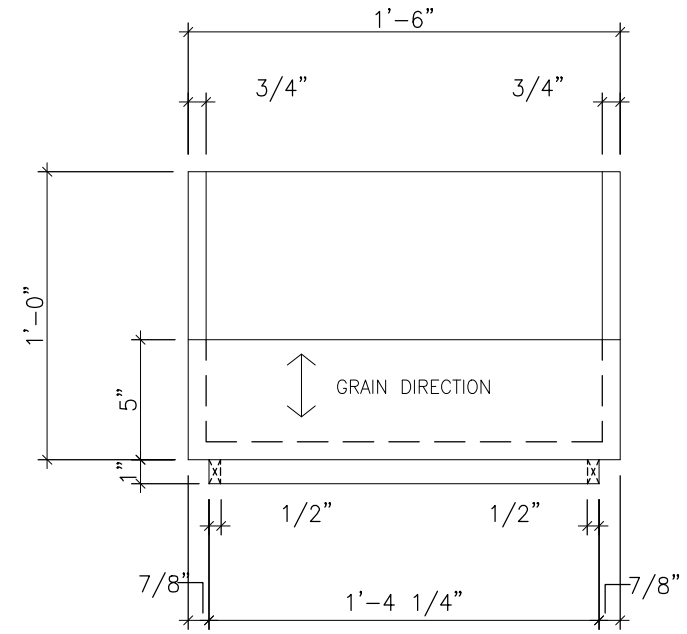


3 TYPICAL SECTION
F312 N.T.S.

TYPICAL DADO
JOINT @ VERTICAL
CORNERS.



4 TYPICAL CORNER SECTION
F312 N.T.S.



5 TYPE 'B' FRONT ELEVATION
F312 1 1/2" = 1'-0"

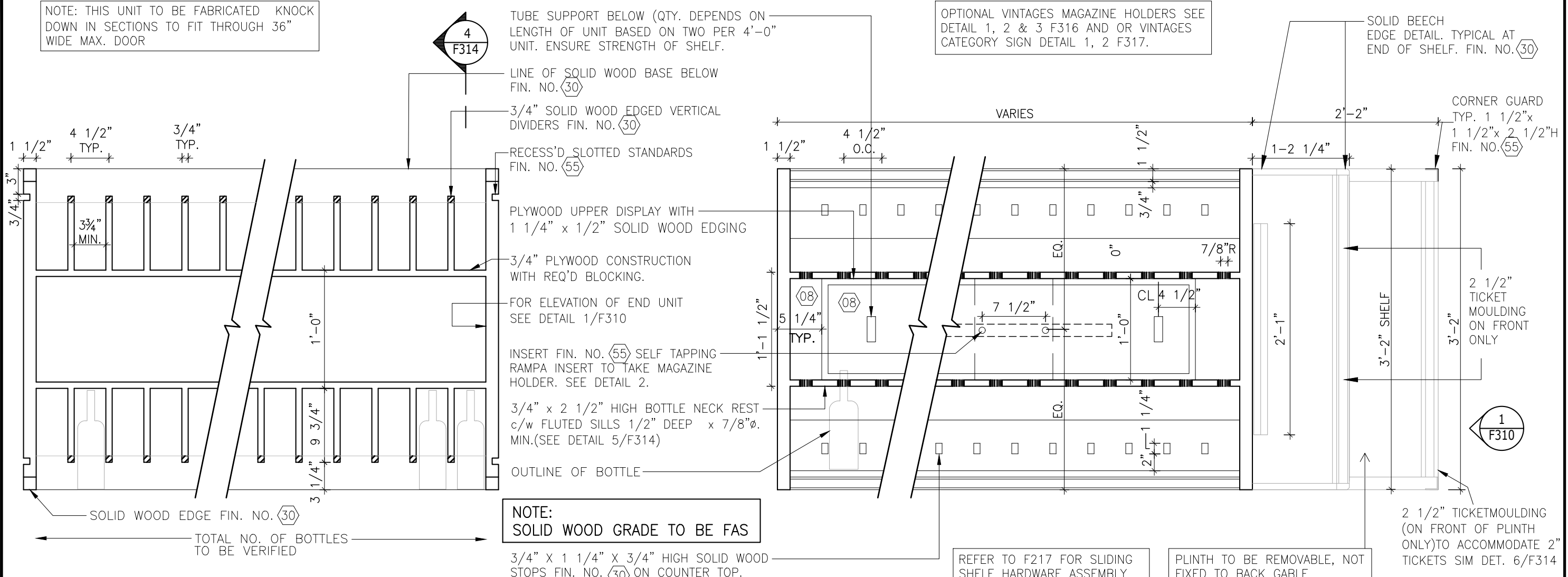
LCBO	300 VINTAGES	REVISION DATE	REV.	1 of 1	ISSUE DATE	STORE TYPE	STORE #
	VINTAGES PRODUCT RISER (TYPE B)	2017 NOV	15	F312	2021 APR		

RESERVED

LCBO	300 VINTAGES	REV. DATE	REV.		ISSUE DATE	STORE TYPE	STORE #
		2019 APR	16	F313	2021 APR		

NOTE: THIS UNIT TO BE FABRICATED KNOCK DOWN IN SECTIONS TO FIT THROUGH 36" WIDE MAX. DOOR

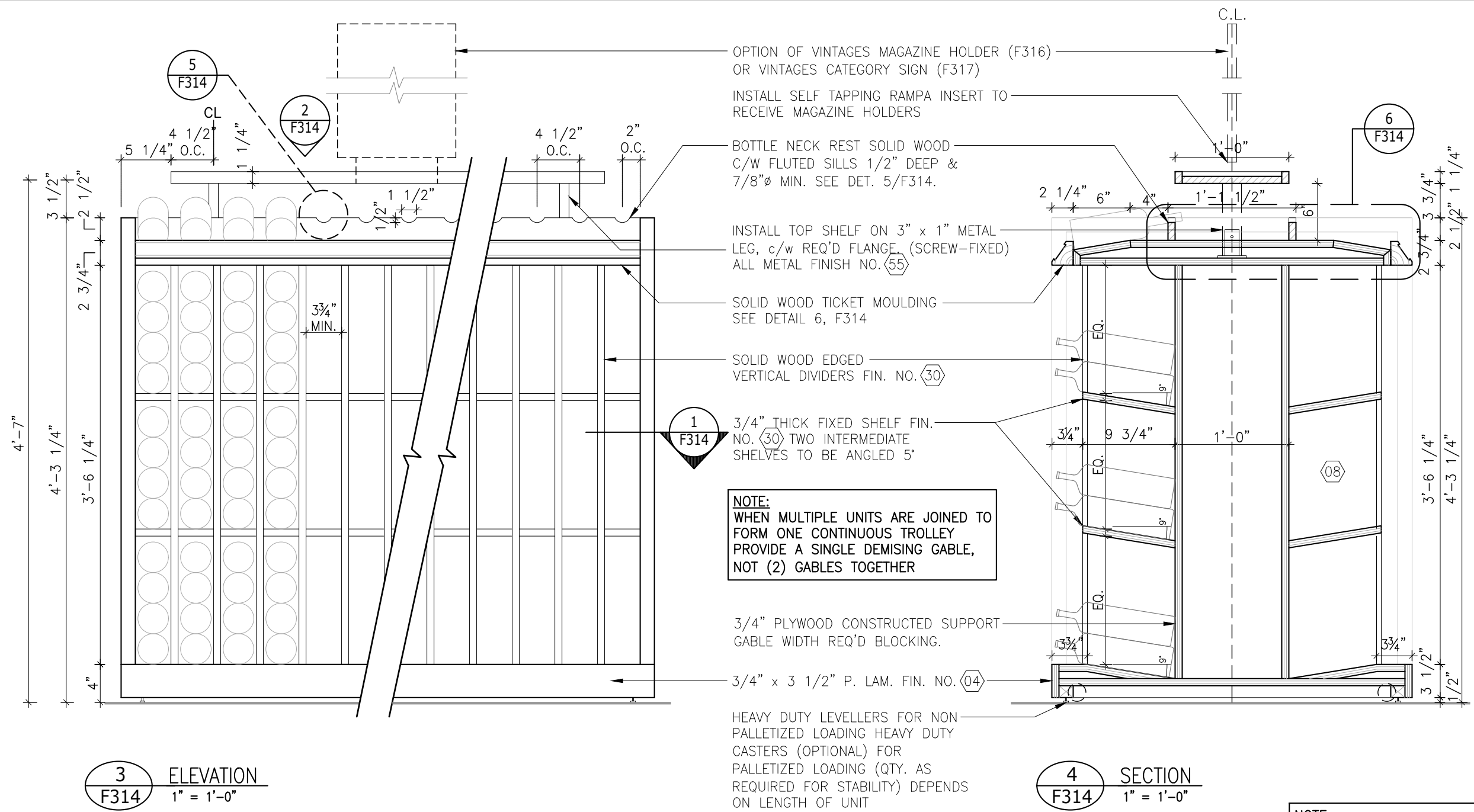
OPTIONAL VINTAGES MAGAZINE HOLDERS SEE DETAIL 1, 2 & 3 F316 AND OR VINTAGES CATEGORY SIGN DETAIL 1, 2 F317.



1 PLAN SECTION
F314 1" = 1'-0"

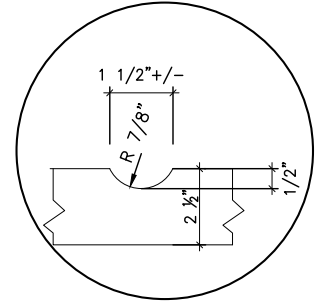
2 TOP VIEW PLAN
F314 1" = 1'-0"

LCBO	300 VINTAGES	REVISION DATE	REV.	1 of 3	ISSUE DATE	STORE TYPE	STORE #
	VINTAGES TROLLEY (3'-2" WIDE)	2021 NOV	15	F314	2021 APR		



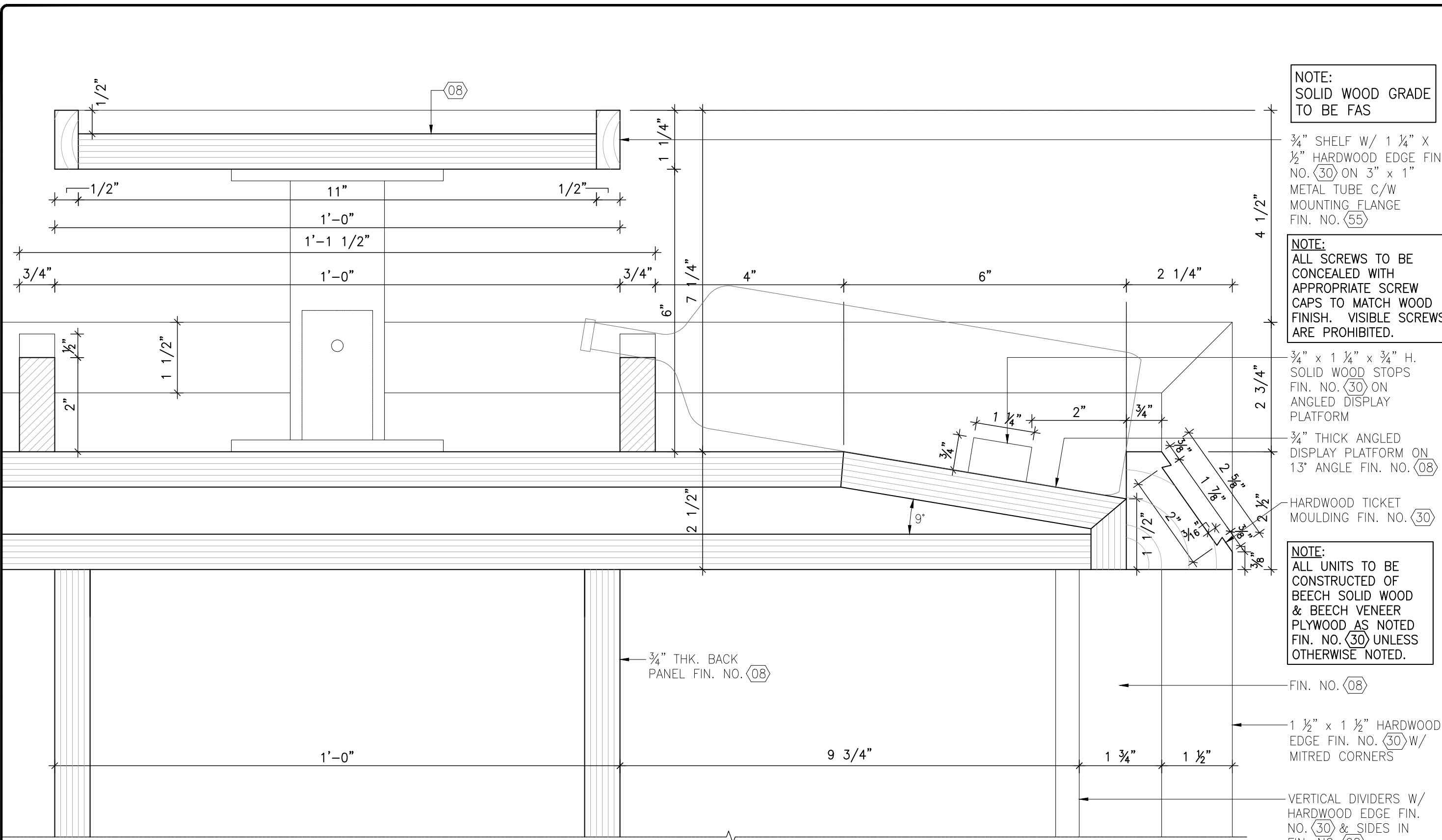
3 ELEVATION
F314 1" = 1'-0"

4 SECTION
F314 1" = 1'-0"



5 DETAIL (BOTTLE NECKREST)
F314 N.T.S.

LCBO	300 VINTAGES	REVISION DATE	REV.	2 of 3	ISSUE DATE	STORE TYPE	STORE #
	VINTAGES TROLLEY (3'-2" WIDE)	2017 NOV	15	F314	2021 APR		



NOTE:
SOLID WOOD GRADE
TO BE FAS

3/4" SHELF W/ 1 1/4" X
1/2" HARDWOOD EDGE FIN.
NO. (30) ON 3" X 1"
METAL TUBE C/W
MOUNTING FLANGE
FIN. NO. (55)

NOTE:
ALL SCREWS TO BE
CONCEALED WITH
APPROPRIATE SCREW
CAPS TO MATCH WOOD
FINISH. VISIBLE SCREWS
ARE PROHIBITED.

3/4" X 1 1/4" X 3/4" H.
SOLID WOOD STOPS
FIN. NO. (30) ON
ANGLED DISPLAY
PLATFORM

3/4" THICK ANGLED
DISPLAY PLATFORM ON
13" ANGLE FIN. NO. (08)

HARDWOOD TICKET
MOULDING FIN. NO. (30)

NOTE:
ALL UNITS TO BE
CONSTRUCTED OF
BEECH SOLID WOOD
& BEECH VENEER
PLYWOOD AS NOTED
FIN. NO. (30) UNLESS
OTHERWISE NOTED.

FIN. NO. (08)

1 1/2" X 1 1/2" HARDWOOD
EDGE FIN. NO. (30) W/
MITRED CORNERS

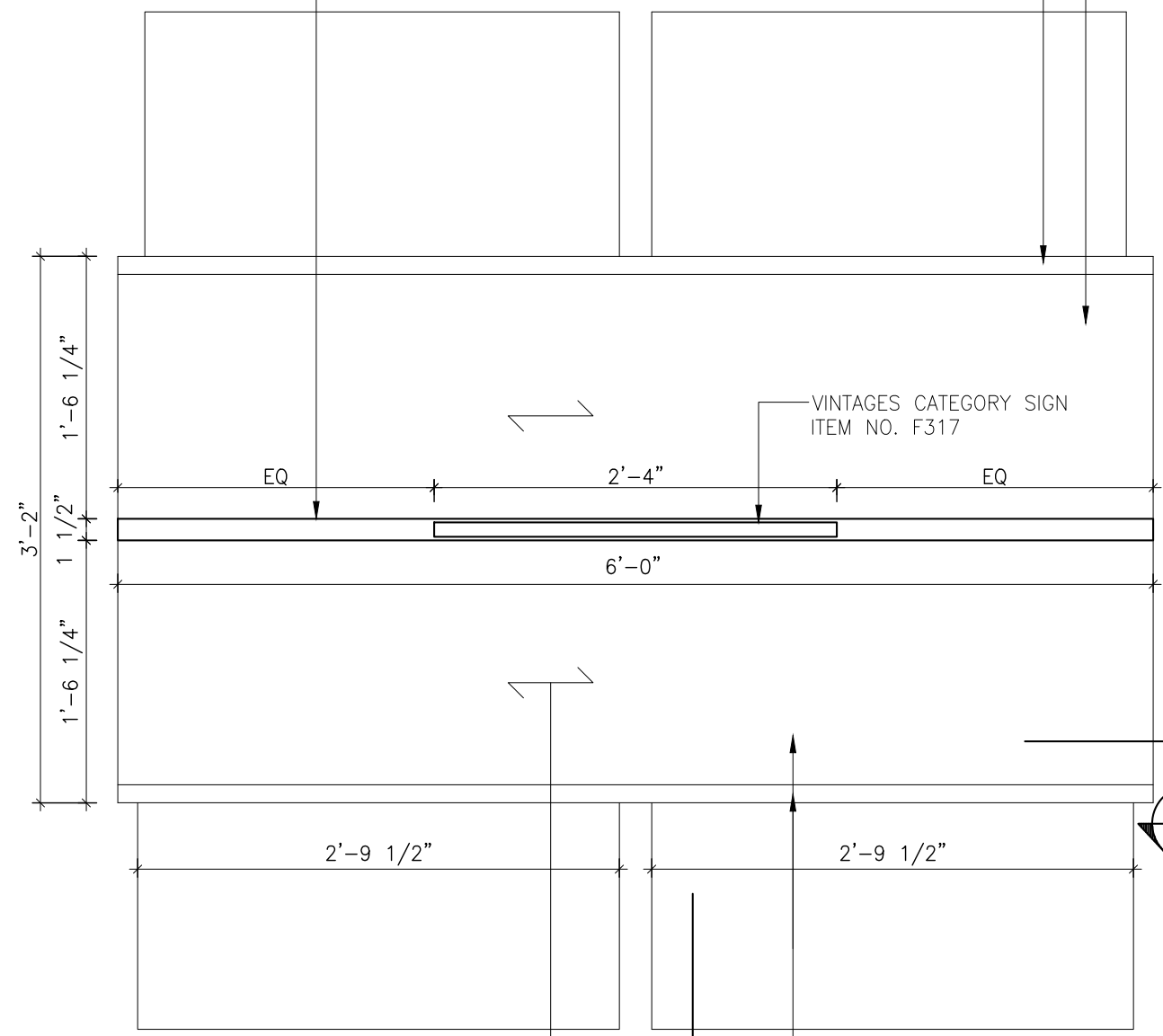
VERTICAL DIVIDERS W/
HARDWOOD EDGE FIN.
NO. (30) & SIDES IN
FIN. NO. (08)

6 DETAIL
F314 6" = 1'-0"

LCBO	300 VINTAGES	REVISION DATE	REV.	3 of 3	ISSUE DATE	STORE TYPE	STORE #
	VINTAGES TROLLEY (3'-2" WIDE)	2017 NOV	15	F314	2021 APR		

2 LAYERS 3/4" PLY FIN. NO. (08) W/
1 1/4" x 1 1/4" SOLID
WOOD EDGE FIN. NO. (30)

3/4" PLY BASE FIN. NO. (08) ON
HEAVY DUTY ADJ. LEVELLERS W/
1 1/4" x 1 1/4" SOLID
WOOD EDGE FIN. NO. (30)



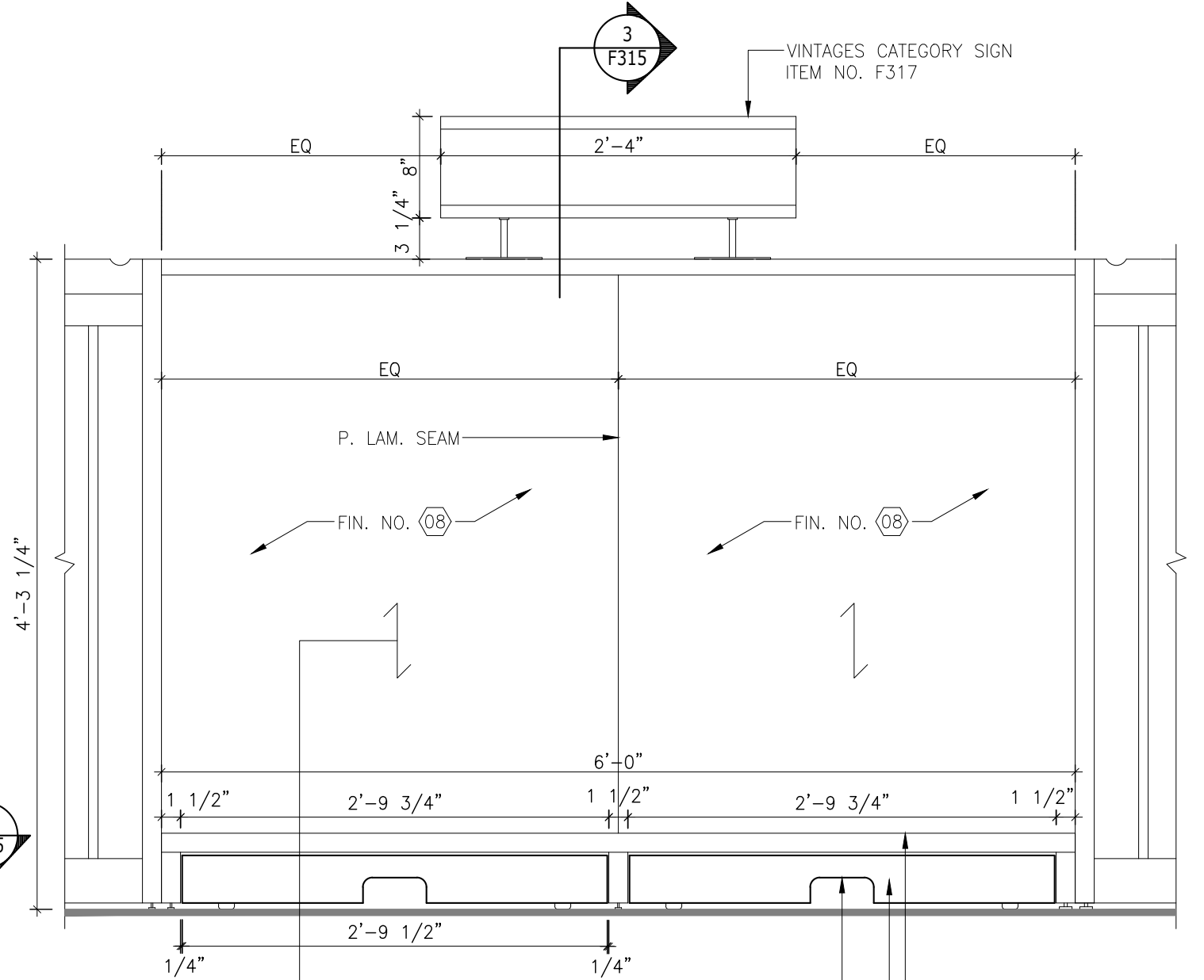
DIRECTION OF WOOD GRAIN

3/4" PLY BASE FIN. NO. (08) ON
HEAVY DUTY ADJ. LEVELLERS W/
1 1/4" x 1 1/4" SOLID
WOOD EDGE FIN. NO. (30)

2
F315

NOTE:
SOLID WOOD GRADE TO BE FAS

1 PLAN
F315 1" = 1'-0"



DIRECTION OF WOOD GRAIN

PROVIDE 2" x 5" HANDLING
CUT-OUTS W/ 3/4" RADIUS
TO INSIDE CORNERS

3/4" PLY BASE FIN. NO. (08) ON
HEAVY DUTY ADJ. LEVELLERS W/
1 1/4" x 1 1/4" SOLID
WOOD EDGE FIN. NO. (30)

3/4" PLY BASE FIN. NO. (04)

2 ELEVATION
F315 1" = 1'-0"

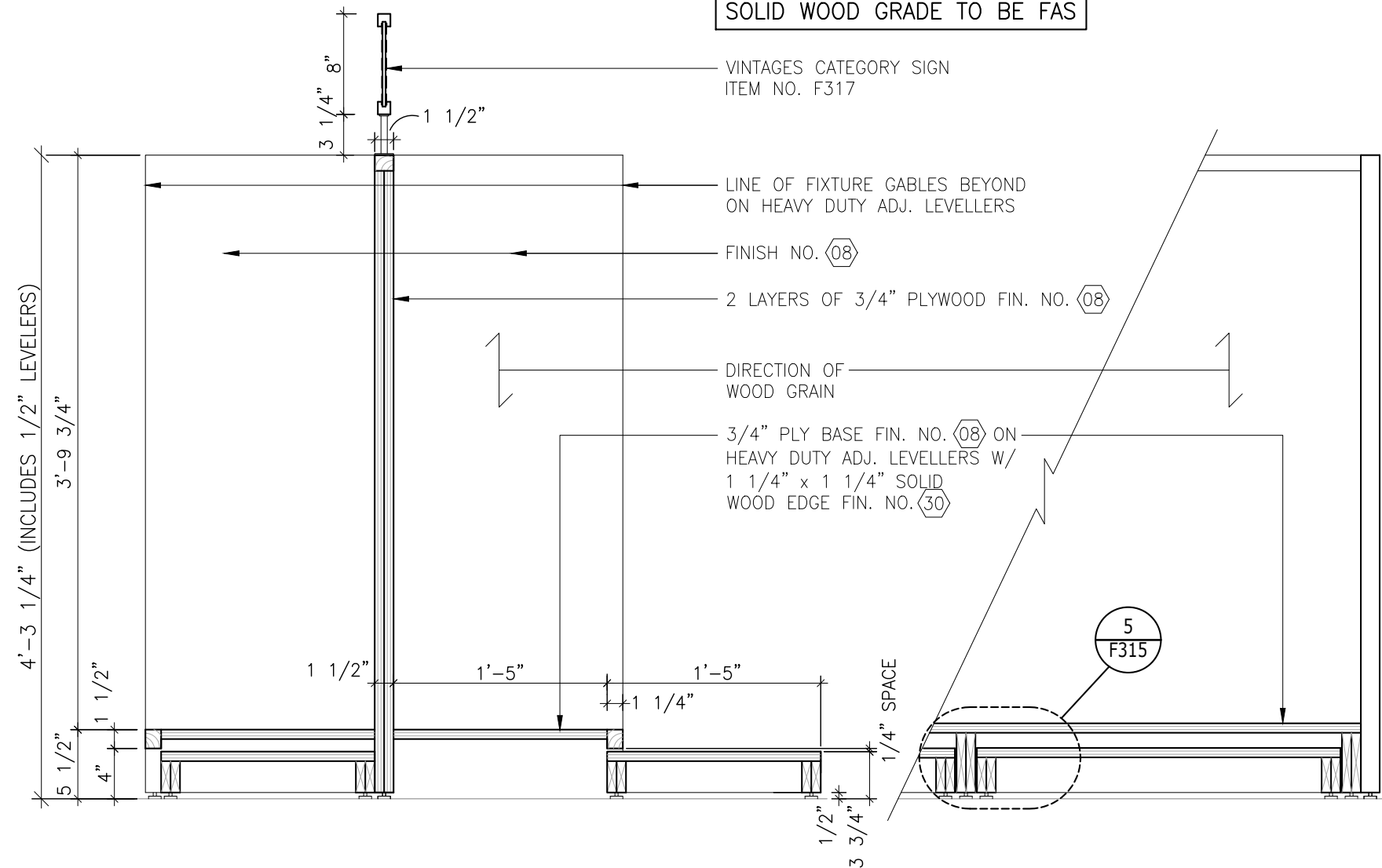
NOTE:
ALL UNITS TO BE CONSTRUCTED OF BEECH SOLID WOOD FIN. NO. (30) & PLYWOOD WITH FIN. NO. (08) UNLESS OTHERWISE NOTED. SEE DWG. NO. F311 & F312 FOR PRODUCT RISERS.

MILLWORK CONTRACTOR TO PROVIDE EXTERIOR FINISH TO THE UNIT - (1) COAT CLEAR URETHANE SEALER AND (2) COATS SATIN LACQUER TO FIN. NO. (30)

SEAMS IN P. LAM. TO BE POSITIONED AS PER DRAWING.

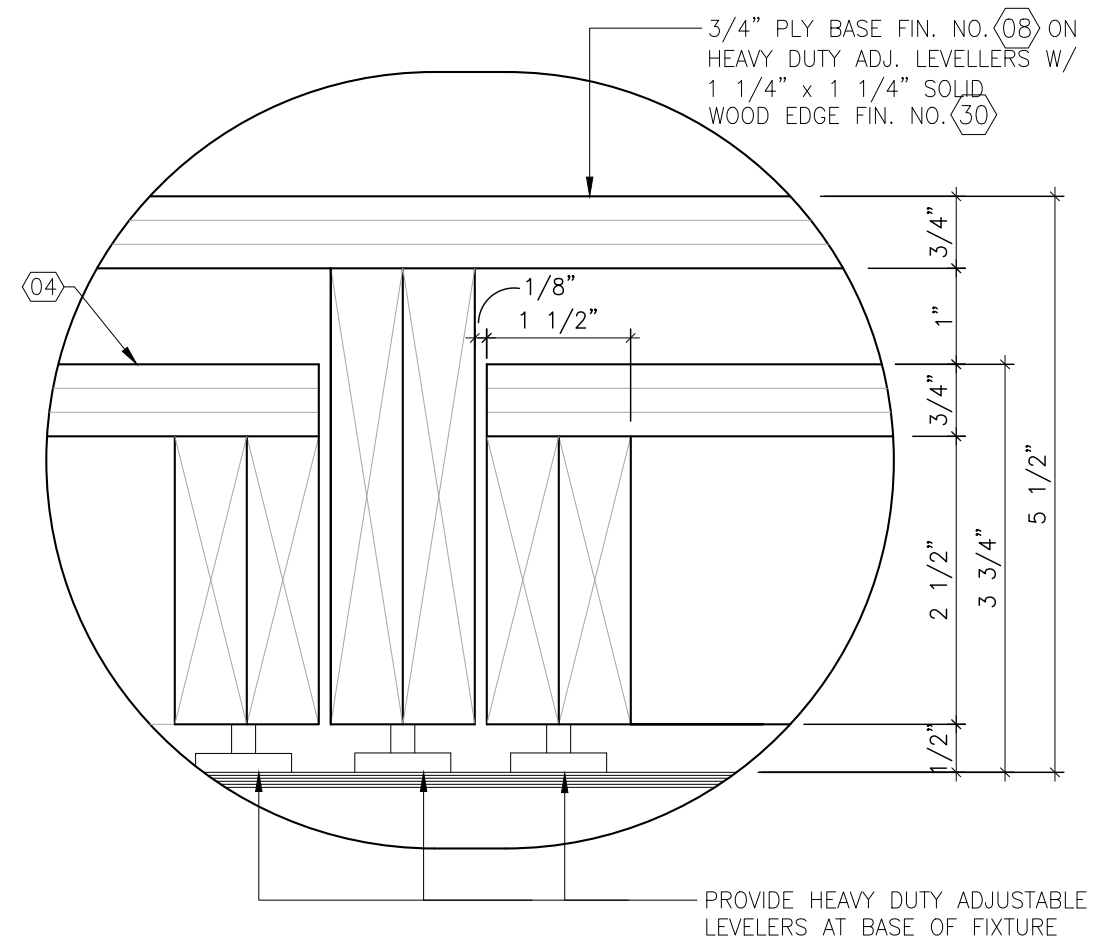
LCBO	300 VINTAGES	REVISION DATE	REV.	1 of 2	ISSUE DATE	STORE TYPE	STORE #
	VINTAGES NEW RELEASE PLINTH (3'-2" WIDE)	2017 NOV	15	F315	2021 APR		

NOTE:
SOLID WOOD GRADE TO BE FAS



3 SECTION
F315 1" = 1'-0"

4 SECTION
F315 1" = 1'-0"



5 DETAIL
F315 6" = 1'-0"

NOTE: PROVIDE STOPPER AT BACK OF PLINTH. PLINTH TO BE REMOVABLE.

NOTE:
ALL UNITS TO BE CONSTRUCTED OF BEECH SOLID WOOD FIN. NO. 30 & PLYWOOD WITH FIN. NO. 08 UNLESS OTHERWISE NOTED. SEE DWG. NO. F311 & F312 FOR PRODUCT RISERS.

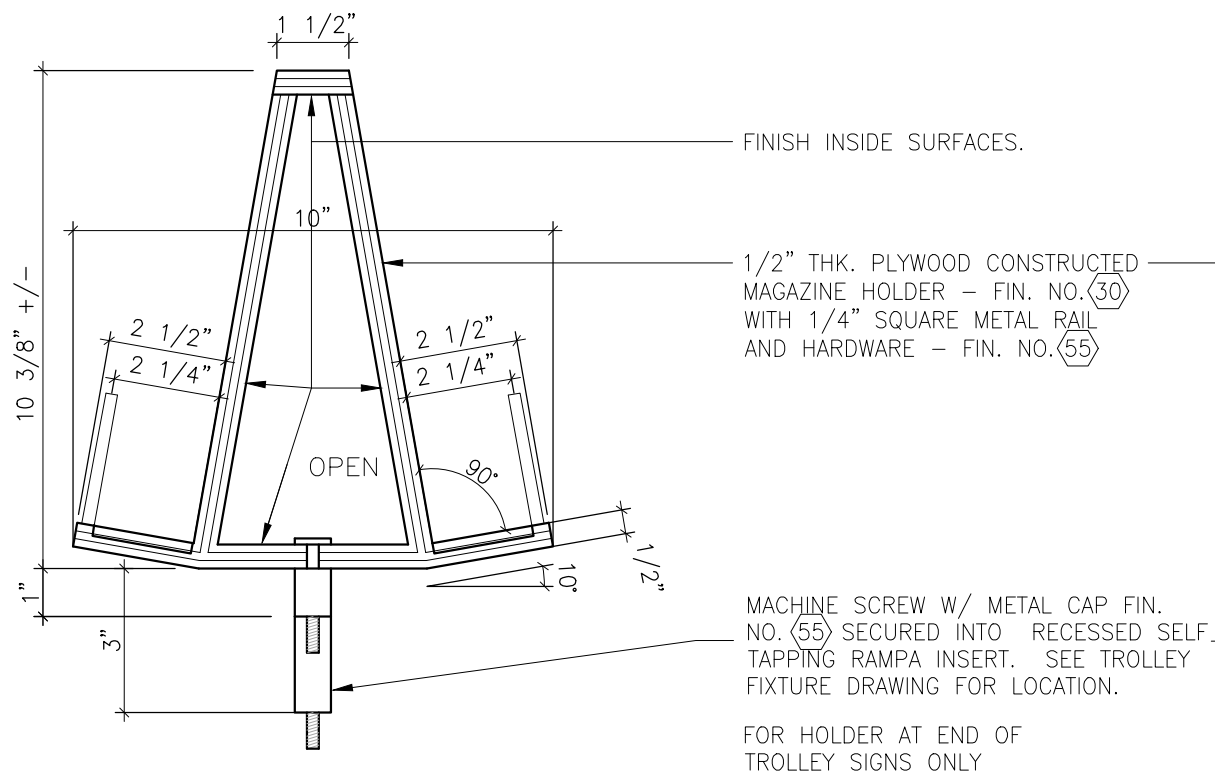
LCBO	300 VINTAGES	REVISION DATE	REV.	2 of 2	ISSUE DATE	STORE TYPE	STORE #
	VINTAGES NEW RELEASE PLINTH (3'-2" WIDE)	2017 NOV	15	F315	2021 APR		

NOTE:
 PROVIDE 2(TWO) 3/4" dia. BY 1" HIGH OR 2(TWO)
 3/4" dia. BY 3" HIGH METAL TUBES FINISH NO. (55)
 AND APPLICABLE HARDWARE AS NOTED.

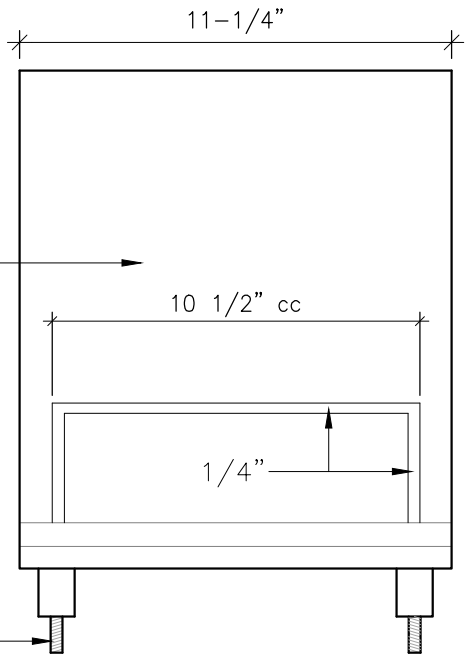
MACHINE SCREWS WITH METAL CAPS FINISH NO. (55)
 M. BERENSON & CO. LTD.

PART NO.	DIA.	LENGTH
D 408	.315 (8 mm)	.315 (8 mm)
D 410	.315 (8 mm)	.394 (10 mm)

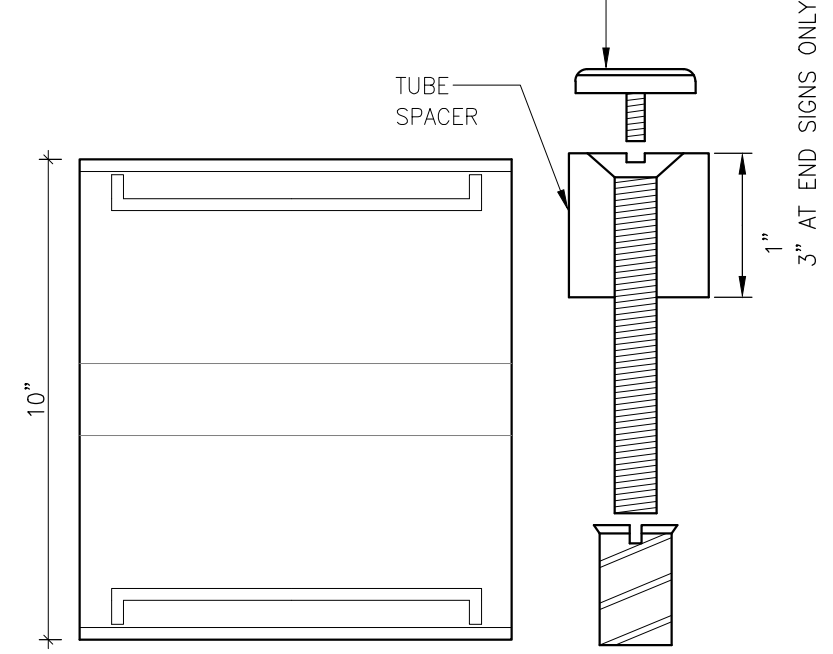
SERIES "D" METAL INSERT
 FINISH NO. (55) WITH COLLAR



1 SECTION
 F316 3" = 1'-0"



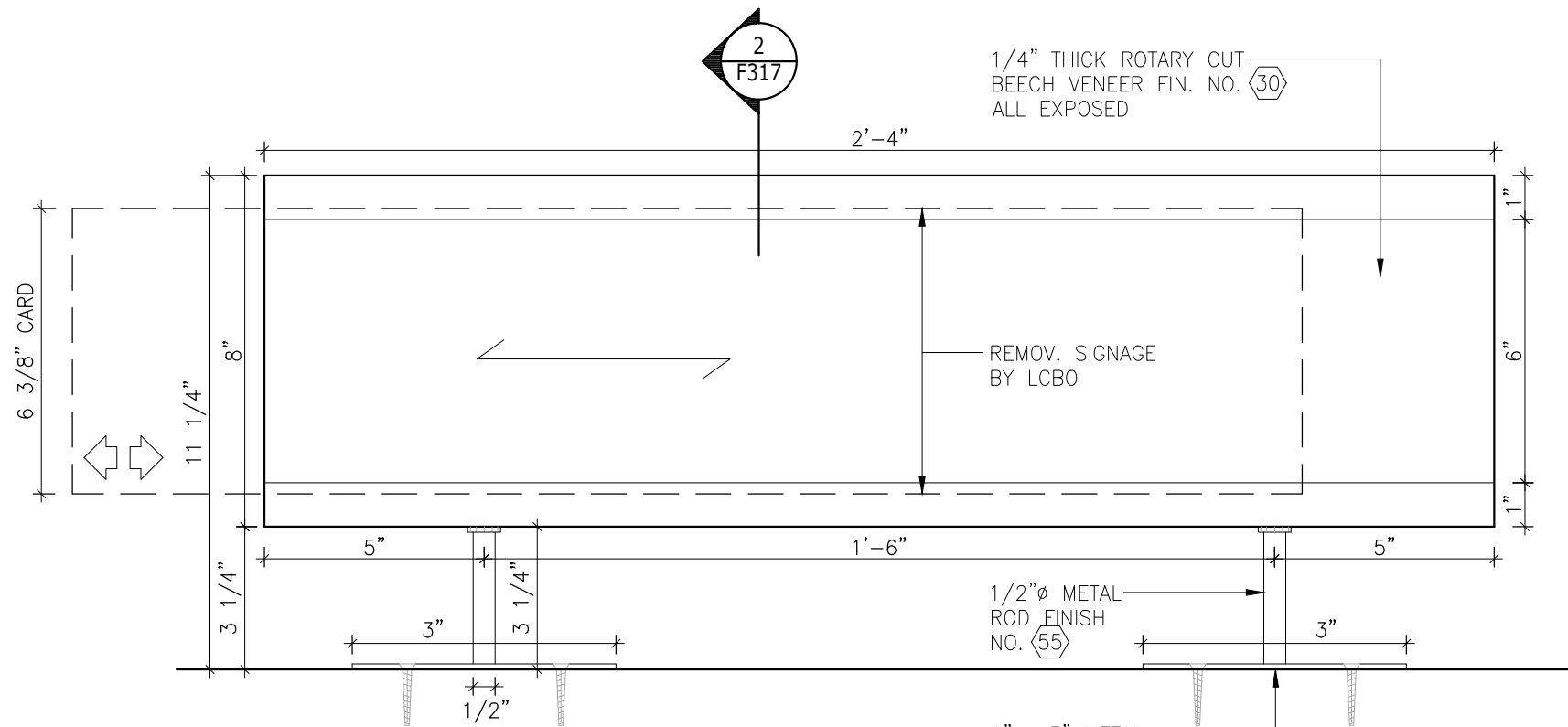
2 ELEVATION
 F316 3" = 1'-0"



3 PLAN
 F316 3" = 1'-0"

NOTE:
 STORE PLANNING COORDINATOR
 TO CONFIRM THE QUANTITY OF
 VINTAGE MAGAZINE HOLDERS.
 REFER TO MILLWORK ITEMIZATION
 AND PLAN.
 VINTAGES NEW RELEASE
 CATALOGUE IS 8 1/8"W. X
 10 7/8"H.

LCBO	300 VINTAGES	REVISION DATE	REV.	1 of 1	ISSUE DATE	STORE TYPE	STORE #
	VINTAGES MAGAZINE HOLDER	2017 MAR	15	F316	2021 APR		



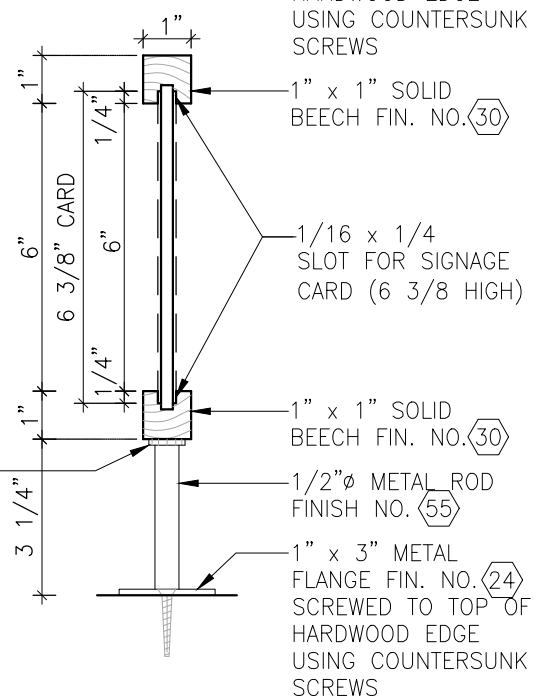
1 ELEVATION
F317 3" = 1'-0"

NOTE:
SOLID WOOD GRADE TO BE FAS

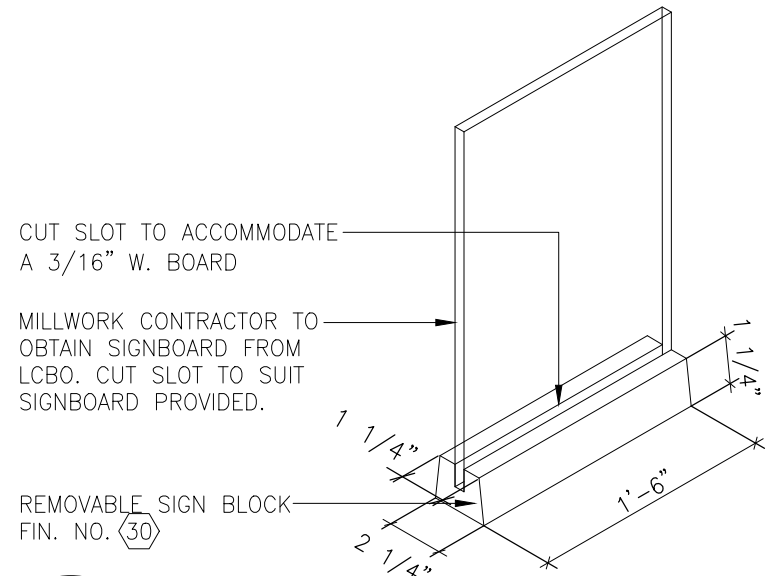
NOTE:
MILLWORK CONTRACTOR TO PROVIDE CONCEALED BLOCKING AS REQUIRED TO ENSURE STABILITY OF CATEGORY SIGN

2" X 3/4" X 1/8"
TOP FLANGE FINISH NO. (24) WELDED TO METAL ROD

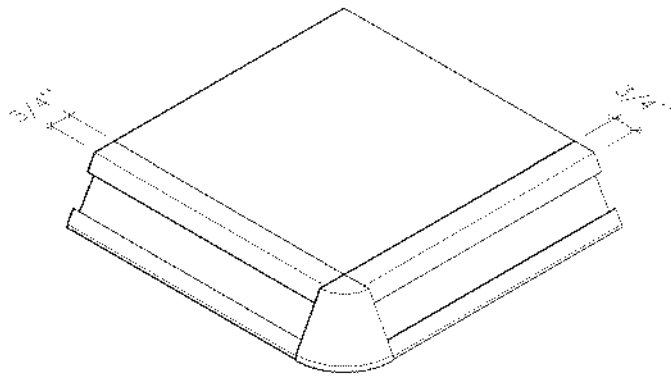
2 SECTION
F317 3" = 1'-0"



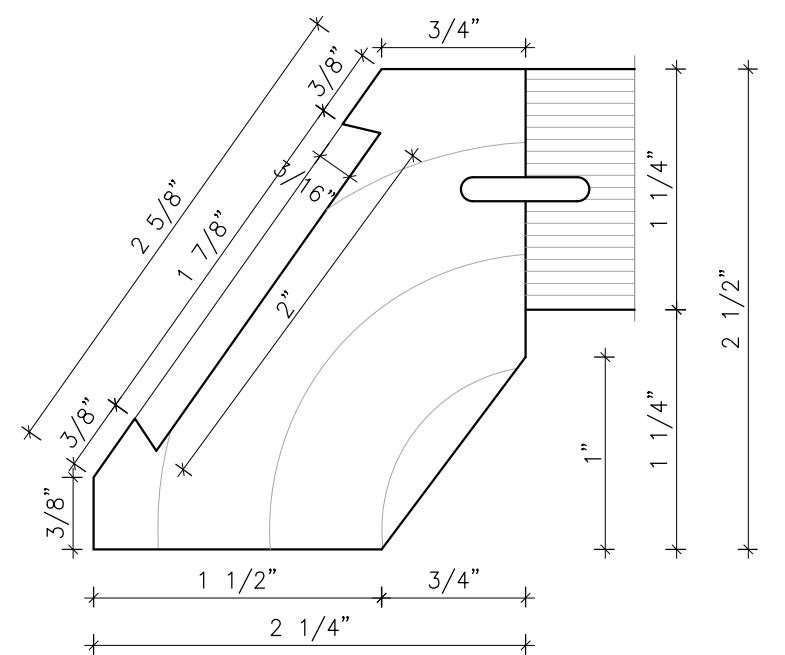
LCBO	300 VINTAGES	REVISION DATE	REV.	1 of 1	ISSUE DATE	STORE TYPE	STORE #
	VINTAGES CATEGORY SIGN	2017 NOV	15	F317	2021 APR		



5 SIGN HOLDER
F318 N.T.S.
2 1/2" x 2 1/2" x 1 1/4" SOLID BEECH HARDWOOD CORNER



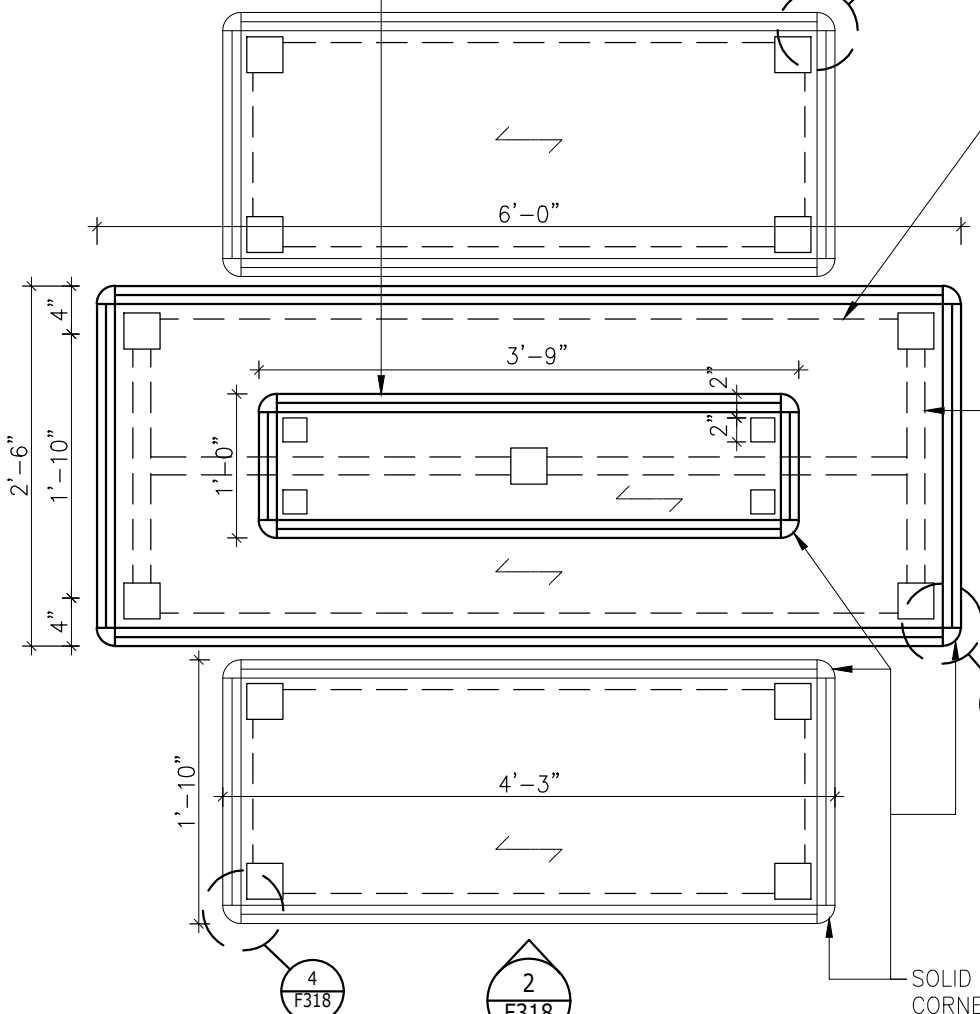
4 ISOMETRIC VIEW - CURVED WOOD BLOCK DETAIL
F318 AT CORNERS



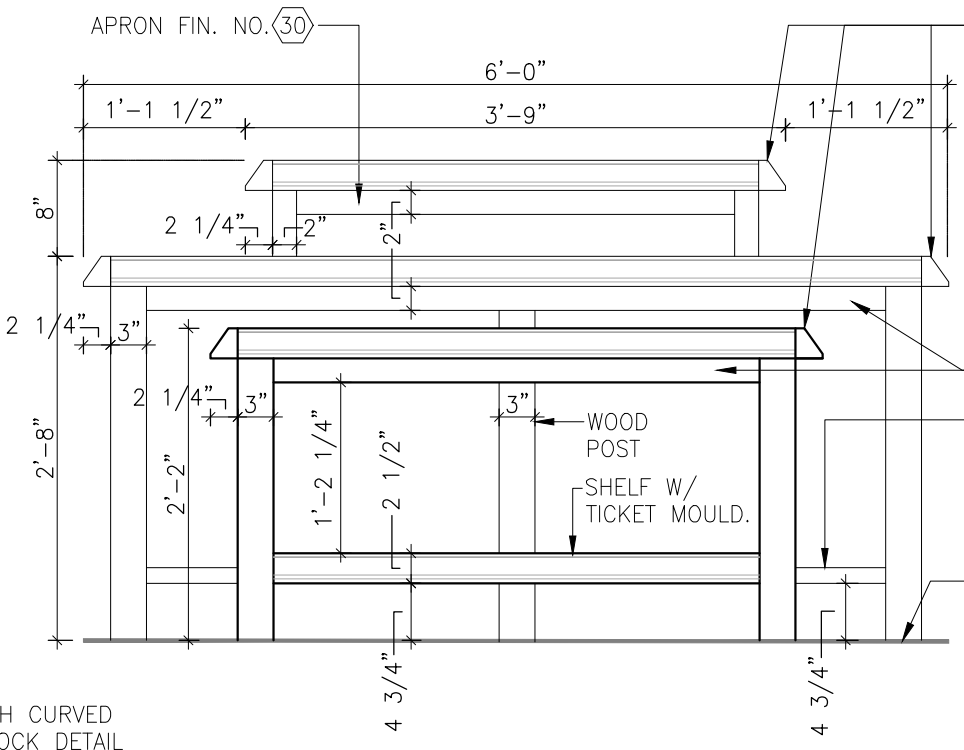
3 DETAIL
F318 1" = 1"

NOTE: ALL FINISHES TO BE FIN. NO. (30) UNLESS OTHERWISE NOTED

MILLWORK CONTRACTOR TO PROVIDE STORE MANAGER W/ TOUCH-UP STICKS MILLWORK CONTRACTOR TO EASE ALL CORNERS



1 PLAN
F318 3/4" = 1'-0"



2 ELEVATION
F318 3/4" = 1'-0"

NOTE: SOLID WOOD GRADE TO BE FAS

2" APRON FIN. NO. (30)

HORIZONTAL CROSS MEMBER

PROVIDE LEG GLIDES

NOTE: MAXIMUM ALLOWABLE DEFLECTION IS 1/720 UNDER 62 LBS./SF.

SOLID BEECH CURVED CORNER BLOCK DETAIL WITH TICKET MOULDING AT ALL EDGES, TO ALL TABLES AND SHELVES. TYPICAL AT ALL (4) CORNERS.

LCBO	300 VINTAGES	REVISION DATE	REV.	1 of 1	ISSUE DATE	STORE TYPE	STORE #
	VINTAGES NESTING TABLES	2017 NOV	15	F318	2021 APR		

PROVIDE 1/2" THK PANEL W/ FIN. NO. (03A) FOR CONCEALING WIRES

3 F319

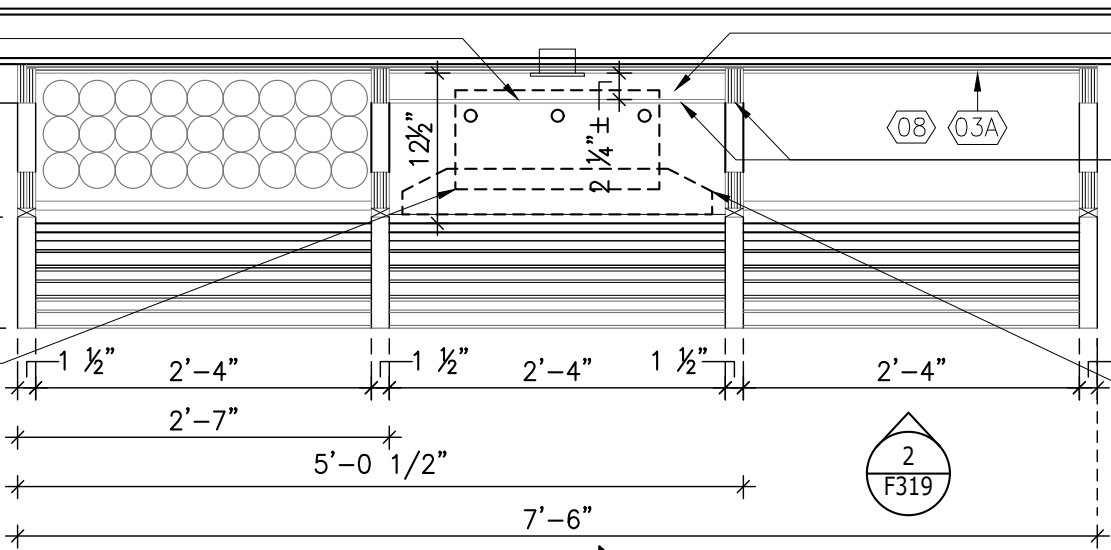
DVD PLAYER CONCEALED WITHIN CABINET. DVD PLAYER TO BE SUPPLIED BY G.C. G.C. TO REFER TO THE SRRS FOR EQUIPMENT SPECIFICATIONS

FLUORESCENT LIGHT FIXTURES CONCEALED WITHIN FASCIA/SIGN BAND FOR ILLUMINATION OF SHELVING

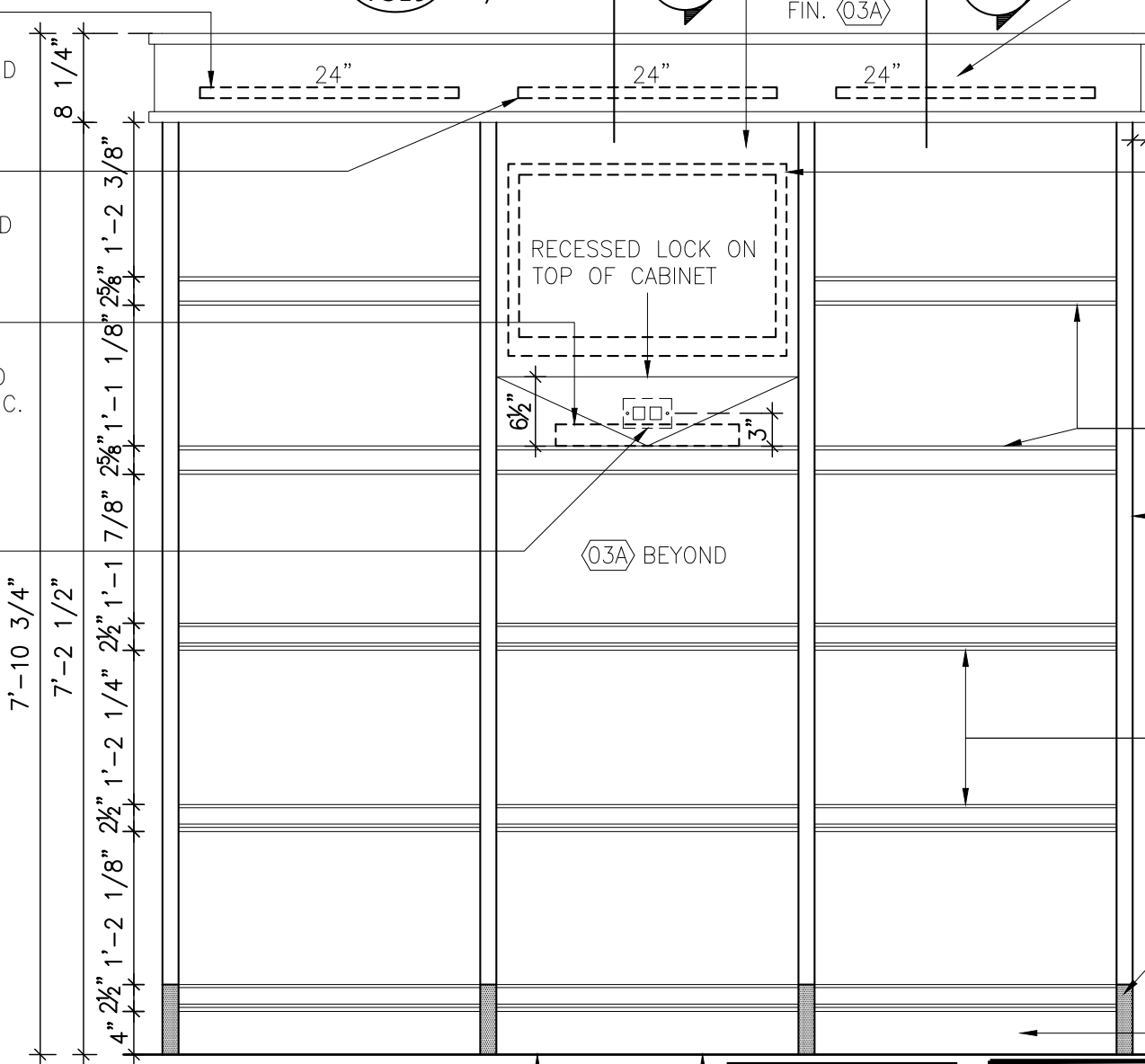
NOTE: CENTER FLUORESCENT LIGHT FIXTURE TO BE SWITCHED OFF ONCE FUTURE LCD MONITOR IS INSTALLED

DVD PLAYER CONCEALED WITHIN CABINET. DVD PLAYER TO BE SUPPLIED BY G.C. G.C. TO REFER TO THE SRRS FOR EQUIPMENT SPECIFICATIONS

PROVIDE RECESSED ELECTRICAL OUTLET W/ STAINLESS STEEL COVER PLATE IN BACK PANEL OF FIXTURE



1 PLAN 3/4" = 1'-0"



2 ELEVATION 3/4" = 1'-0"

NOTE: BASE TO BE SCRIBED TO FLOOR

2 1/4" ± X 2'-4" LONG AREA TO BE OPEN TO CABINET BELOW

ALIGN 1/2" THICK PANEL WITH FACE OF MDF POST AS SHOWN.

3 F319 SIM.

MONITOR & TILTING WALL MOUNT BRACKET (ROCKETFISH #RF-TVMLPT02 OR APPROVED EQUAL) TO BE SUPPLIED & INSTALLED BY GC. SECURE METAL BRACKET TO 1/2" THICK PANEL AT BACK OF FIXTURE. G.C. & LCBO TO COORDINATE POSITION OF LCD & INSTALLATION OF BRACKET. ENSURE FACE OF LCD MONITOR DOES PROJECT BEYOND FACE OF FIXTURE. G.C. TO REFER TO SRRS FOR EQUIPMENT SPECIFICATIONS

MDF SIGN BAND W/ AUTOMOTIVE PT. FIN. NO. (24) & CONCEALED FLUORESCENT LIGHTING

PROVIDE SHOP DWGS. FOR APPROVAL, PRIOR TO FABRICATION

MONITOR & TILTING WALL MOUNT BRACKET (ROCKETFISH #RF-TVMLPT02 OR APPROVED EQUAL) TO BE SUPPLIED & INSTALLED BY GC. SECURE METAL BRACKET TO 1/2" THICK PANEL AT BACK OF FIXTURE. G.C. & LCBO TO COORDINATE POSITION OF LCD & INSTALLATION OF BRACKET. ENSURE FACE OF LCD MONITOR DOES PROJECT BEYOND FACE OF FIXTURE. G.C. TO REFER TO SRRS FOR EQUIPMENT SPECIFICATIONS

FIXED SHELVES FIN. NO. (08) W/ STRAIGHT HARDWOOD TICKET MOULDING FIN. NO. (30)

TAPERED MDF POST W/ AUTOMOTIVE PT. FIN. NO. (24)

MDF POST W/ AUTOMOTIVE PT. FIN. NO. (24)

3/4" X 1 1/2" THK. MDF RAIL W/ AUTOMOTIVE PT. FIN. NO. (24)

FIXED SHELVES FIN. NO. (08) W/ ANGLED HARDWOOD TICKET MOULDING FIN. NO. (30)

NOTE: G.C. TO SECURE FIXTURE TO WALL W/ STRAPPING AS NECESSARY TO ENSURE STABILITY

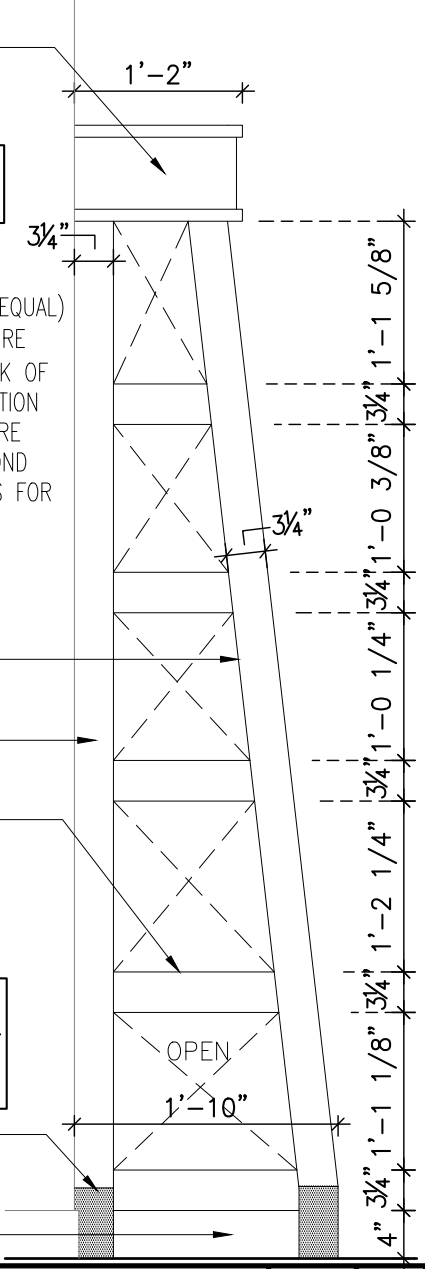
6 1/2" HIGH METAL CORNER GUARD FIN. (24)

RECESSED 4" HIGH BASE FIN. NO. (04)

GENERAL NOTES:
G.C. TO PROVIDE POWER SOURCE FOR FIXTURE (IF REQUIRED) IN WALL BEHIND FIXTURE OR CONCEALED IN WALL BEHIND SIGN BAND. G.C. TO COORDINATE WITH MILLWORK CONTRACTOR AND ENSURE THAT ALL WIRES ARE CONCEALED FROM CUSTOMER VIEW
MILLWORK CONTRACTOR TO PROVIDE PROTOTYPE FOR REVIEW AND APPROVAL PRIOR TO FABRICATION OF REMAINING UNITS.
REFER TO THE SRRS FOR A.V. EQUIPMENT SPECIFICATION, TO BE SUPPLIED BY THE G.C.

NOTE: SOLID WOOD GRADE TO BE FAS

NOTE: MILLWORK CONTRACTOR TO ENSURE THAT FIXTURE IS CONSTRUCTED SO THAT LIGHT FIXTURES CAN BE SERVICED AND/OR REMOVED WITHOUT DISMANTLING MILLWORK

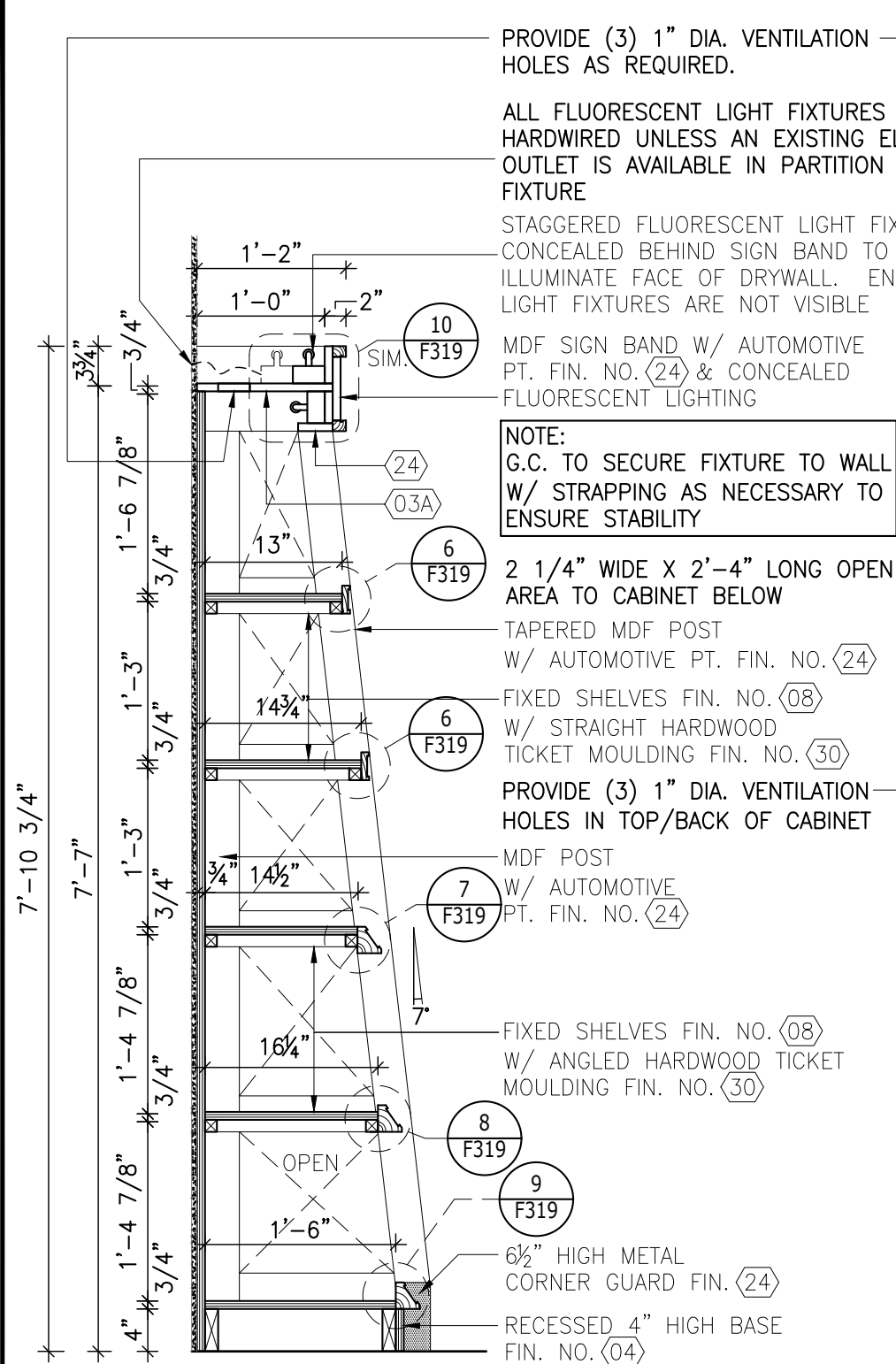


3 ELEVATION 3/4" = 1'-0"

LCBO

300 VINTAGES
FEATURE FIXTURE-3 MODULE (7'-6" WIDE)

REVISION DATE	REV.	1 of 3	ISSUE DATE	STORE TYPE	STORE #
2017 NOV	15	F319	2021 APR		



4 SECTION
F319 3/4" = 1'-0"

PROVIDE SHOP DWGS. FOR APPROVAL, PRIOR TO FABRICATION

NOTE:
SOLID WOOD GRADE TO BE FAS

PROVIDE (3) 1" DIA. VENTILATION HOLES AS REQUIRED.

ALL FLUORESCENT LIGHT FIXTURES TO BE HARDWIRED UNLESS AN EXISTING ELECTRICAL OUTLET IS AVAILABLE IN PARTITION BEHIND FIXTURE

STAGGERED FLUORESCENT LIGHT FIXTURES CONCEALED BEHIND SIGN BAND TO ILLUMINATE FACE OF DRYWALL. ENSURE LIGHT FIXTURES ARE NOT VISIBLE

MDF SIGN BAND W/ AUTOMOTIVE PT. FIN. NO. (24) & CONCEALED FLUORESCENT LIGHTING

NOTE:
G.C. TO SECURE FIXTURE TO WALL W/ STRAPPING AS NECESSARY TO ENSURE STABILITY

2 1/4" WIDE X 2'-4" LONG OPEN AREA TO CABINET BELOW

TAPERED MDF POST W/ AUTOMOTIVE PT. FIN. NO. (24)

FIXED SHELVES FIN. NO. (08) W/ STRAIGHT HARDWOOD TICKET MOULDING FIN. NO. (30)

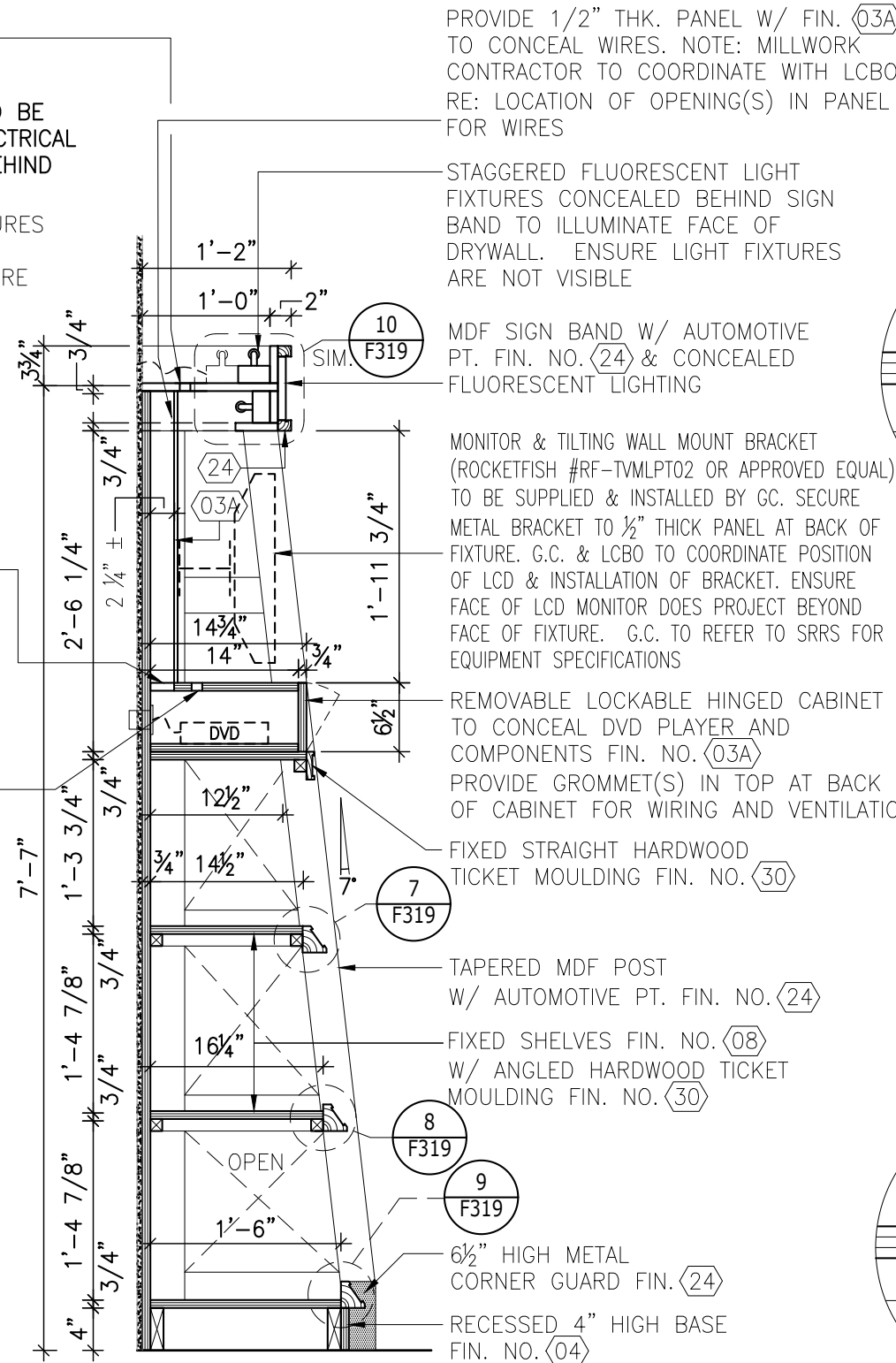
PROVIDE (3) 1" DIA. VENTILATION HOLES IN TOP/BACK OF CABINET

MDF POST W/ AUTOMOTIVE PT. FIN. NO. (24)

FIXED SHELVES FIN. NO. (08) W/ ANGLED HARDWOOD TICKET MOULDING FIN. NO. (30)

6 1/2" HIGH METAL CORNER GUARD FIN. (24)

RECESSED 4" HIGH BASE FIN. NO. (04)



5 SECTION
F319 3/4" = 1'-0"

PROVIDE 1/2" THK. PANEL W/ FIN. (03A) TO CONCEAL WIRES. NOTE: MILLWORK CONTRACTOR TO COORDINATE WITH LCBO RE: LOCATION OF OPENING(S) IN PANEL FOR WIRES

STAGGERED FLUORESCENT LIGHT FIXTURES CONCEALED BEHIND SIGN BAND TO ILLUMINATE FACE OF DRYWALL. ENSURE LIGHT FIXTURES ARE NOT VISIBLE

MDF SIGN BAND W/ AUTOMOTIVE PT. FIN. NO. (24) & CONCEALED FLUORESCENT LIGHTING

MONITOR & TILTING WALL MOUNT BRACKET (ROCKETFISH #RF-TVMLPT02 OR APPROVED EQUAL) TO BE SUPPLIED & INSTALLED BY GC. SECURE METAL BRACKET TO 1/2" THICK PANEL AT BACK OF FIXTURE. G.C. & LCBO TO COORDINATE POSITION OF LCD & INSTALLATION OF BRACKET. ENSURE FACE OF LCD MONITOR DOES PROJECT BEYOND FACE OF FIXTURE. G.C. TO REFER TO SRRS FOR EQUIPMENT SPECIFICATIONS

REMOVABLE LOCKABLE HINGED CABINET TO CONCEAL DVD PLAYER AND COMPONENTS FIN. NO. (03A)

PROVIDE GROMMET(S) IN TOP AT BACK OF CABINET FOR WIRING AND VENTILATION

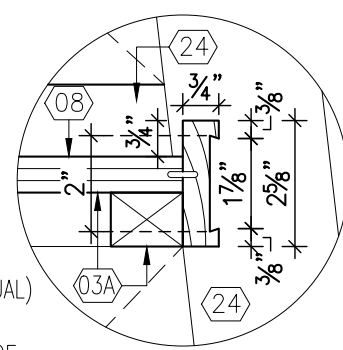
FIXED STRAIGHT HARDWOOD TICKET MOULDING FIN. NO. (30)

TAPERED MDF POST W/ AUTOMOTIVE PT. FIN. NO. (24)

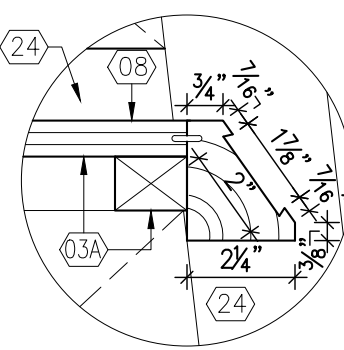
FIXED SHELVES FIN. NO. (08) W/ ANGLED HARDWOOD TICKET MOULDING FIN. NO. (30)

6 1/2" HIGH METAL CORNER GUARD FIN. (24)

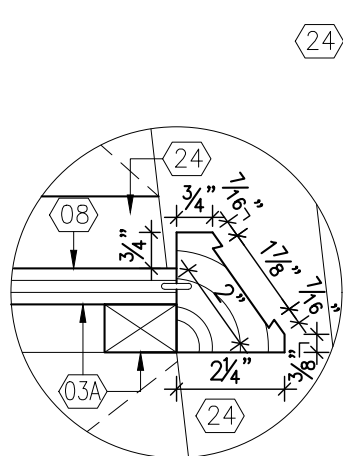
RECESSED 4" HIGH BASE FIN. NO. (04)



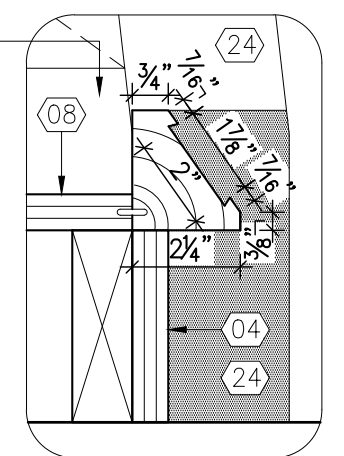
6 DETAIL
F319 3/4" = 1'-0"



7 DETAIL
F319 3/4" = 1'-0"



8 DETAIL
F319 3/4" = 1'-0"



9 DETAIL
F319 3/4" = 1'-0"

GENERAL NOTES:
G.C. TO PROVIDE POWER SOURCE FOR FIXTURE (IF REQUIRED) IN WALL BEHIND FIXTURE OR CONCEALED IN WALL BEHIND SIGN BAND. G.C. TO COORDINATE WITH MILLWORK CONTRACTOR AND ENSURE THAT ALL WIRES ARE CONCEALED FROM CUSTOMER VIEW

MILLWORK CONTRACTOR TO PROVIDE PROTOTYPE FOR REVIEW AND APPROVAL PRIOR TO FABRICATION OF REMAINING UNITS.

REFER TO THE SRRS FOR A.V. EQUIPMENT SPECIFICATION, TO BE SUPPLIED BY THE G.C.

LCBO	300 VINTAGES	REVISION DATE	REV.	2 of 3	ISSUE DATE	STORE TYPE	STORE #
	FEATURE FIXTURE-3 MODULE (7'-6" WIDE)	2017 NOV	15	F319	2021 APR		

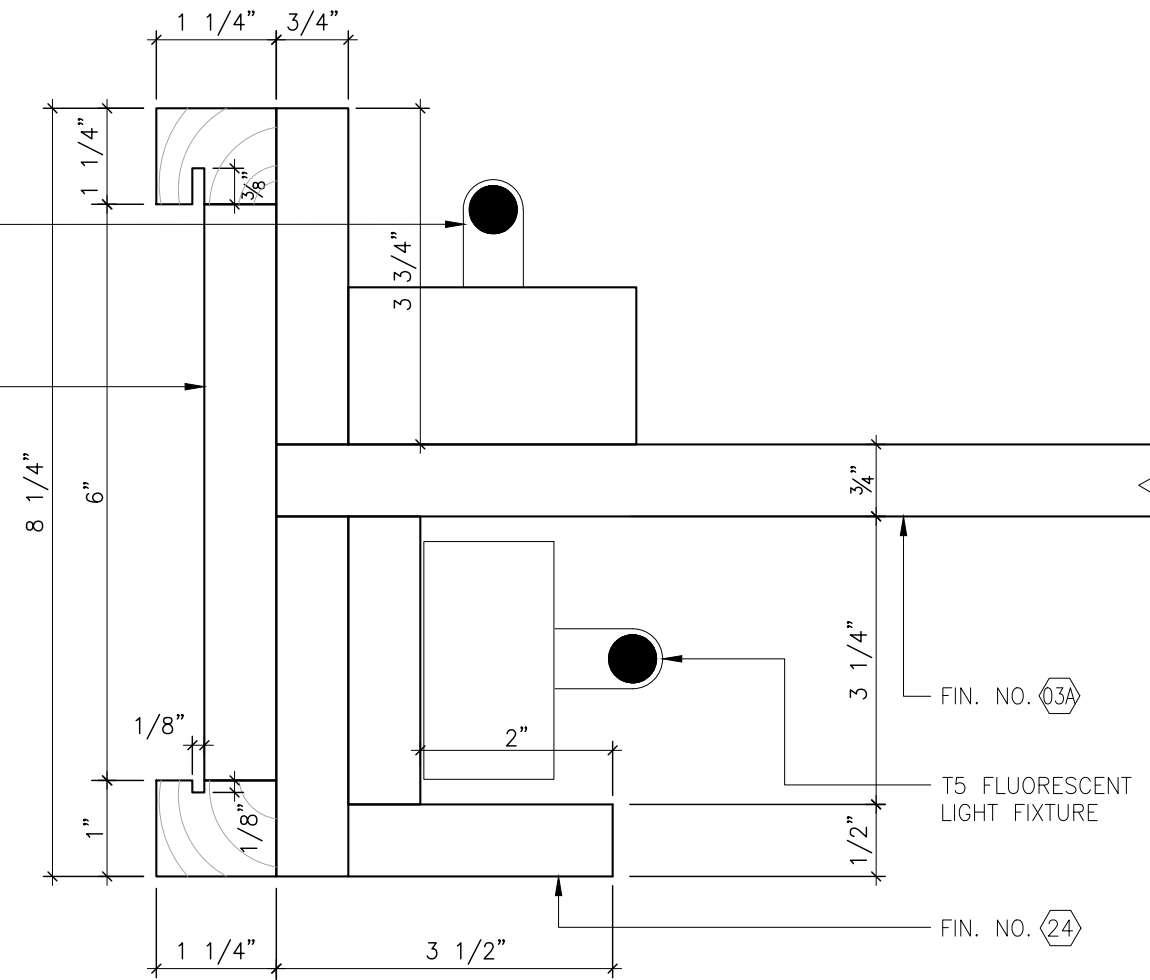
T5 FLUORESCENT LIGHT COVE TO ILLUMINATE FACE OF DRYWALL B/HEAD, FLUORSCENT FIXTURES TO OVERLAP TO PREVENT DARK SPOTS. SUPPLIED AND INSTALLED BY MILLWORK CONTRACTOR.

MDF SIGN BAND FIN. NO. (24) TO ALL EXPOSED SURFACES

NOTE:
ALL POWER FEEDS TO BE CONCEALED FROM CUSTOMERS VIEW.

ALL LIGHTING WITHIN UNIT TO BE SUPPLIED & INSTALLED BY MILLWORK CONTRACTOR. FINAL CONNECTIONS BY G.C.'s ELECTRICAL SUBTRADE.

NOTE:
MILLWORK CONTRACTOR TO ENSURE THAT FIXTURE IS CONSTRUCTED SO THAT LIGHT FIXTURES CAN BE SERVICED AND/OR REMOVED WITHOUT DISMANTLING MILLWORK



10 SECTION-DETAIL
F320 6" = 1'-0"

LCBO	300 VINTAGES	REVISION DATE	REV.	3 of 3	ISSUE DATE	STORE TYPE	STORE #
	FEATURE FIXTURE-3 MODULE (7'-6" WIDE)	2017 NOV	15	F319	2021 APR		

PROVIDE 1/2" THK. PANEL W/ FIN. NO. (03A) FOR CONCEALING WIRES

3 F320

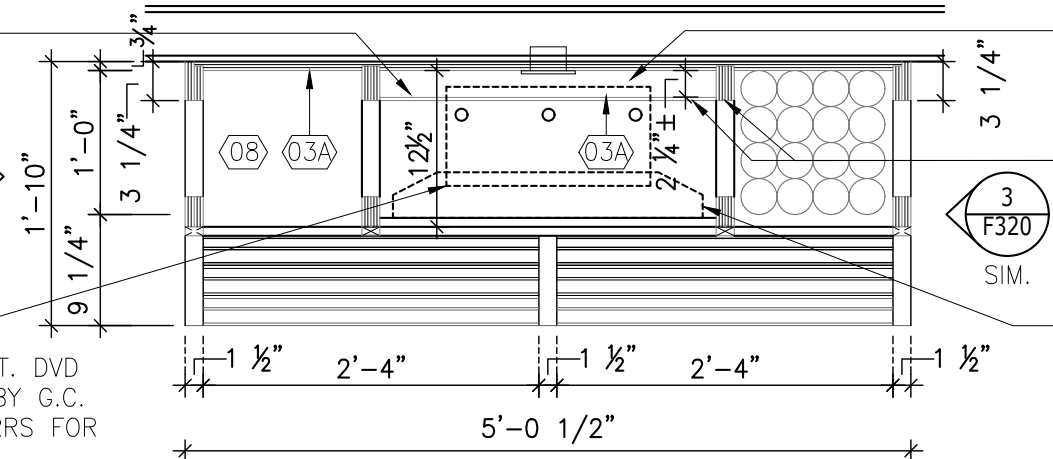
DVD PLAYER CONCEALED WITHIN CABINET. DVD PLAYER TO BE SUPPLIED BY G.C. G.C. TO REFER TO THE SRRS FOR EQUIPMENT SPECIFICATIONS

FLUORESCENT LIGHT FIXTURES CONCEALED WITHIN FASCIA/SIGN BAND FOR ILLUMINATION OF SHELVING

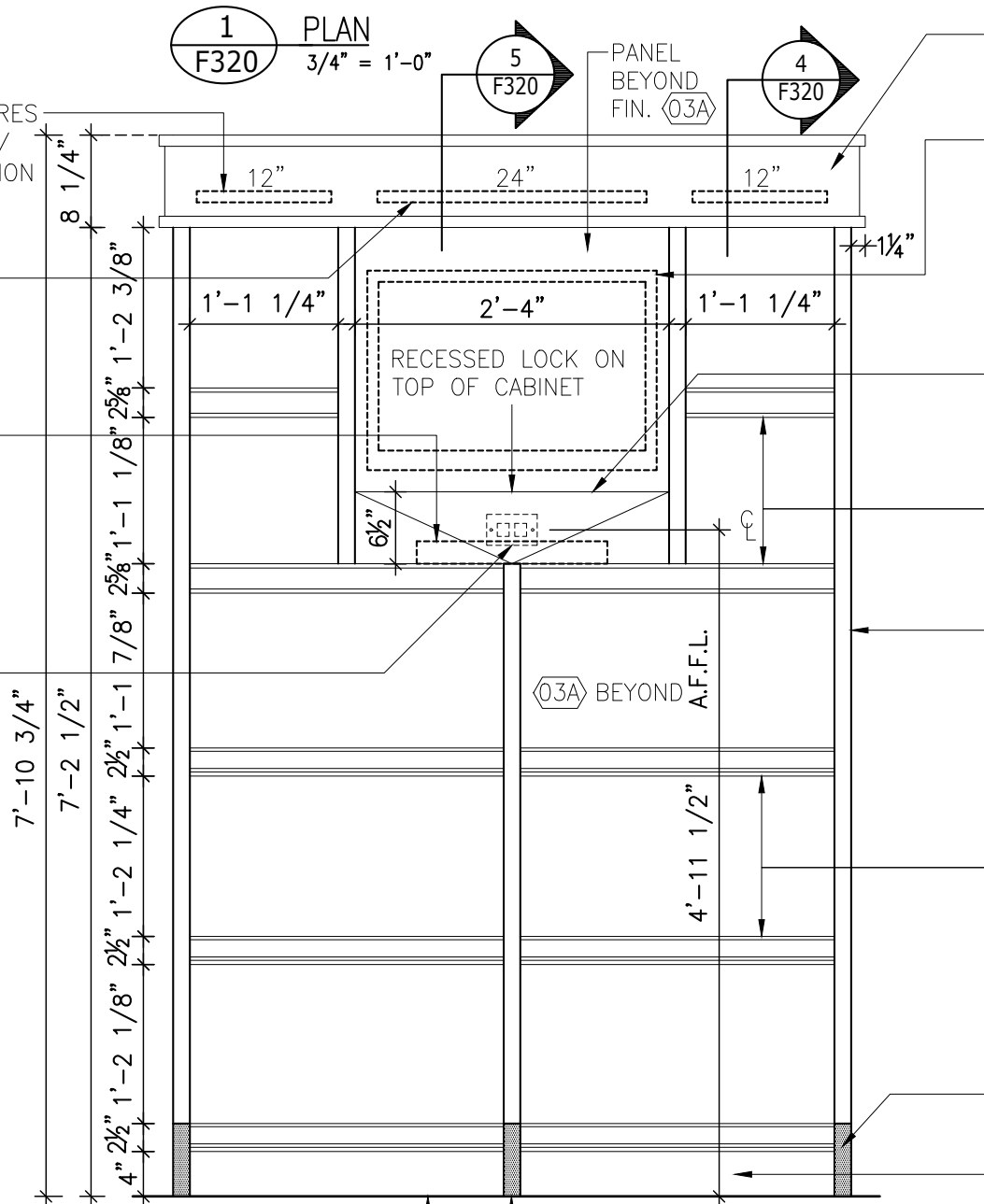
NOTE: CENTER FLUORESCENT LIGHT FIXTURE TO BE SWITCHED OFF ONCE FUTURE LCD MONITOR IS INSTALLED

DVD PLAYER CONCEALED WITHIN CABINET. DVD PLAYER TO BE SUPPLIED BY G.C. G.C. TO REFER TO THE SRRS FOR EQUIPMENT SPECIFICATIONS

PROVIDE RECESSED ELECTRICAL OUTLET W/ STAINLESS STEEL COVER PLATE IN BACK PANEL OF FIXTURE



1 PLAN F320 3/4" = 1'-0"



2 ELEVATION F320 3/4" = 1'-0"

NOTE: BASE TO BE SCRIBED TO FLOOR

2 1/4" ± X 2'-4" LONG AREA TO BE OPEN TO CABINET BELOW

ALIGN 1/2" THICK PANEL WITH FACE OF MDF POST AS SHOWN.

MONITOR & TILTING WALL MOUNT BRACKET (ROCKETFISH #RF-TVMLPT02 OR APPROVED EQUAL) TO BE SUPPLIED & INSTALLED BY GC. SECURE METAL BRACKET TO 1/2" THICK PANEL AT BACK OF FIXTURE. G.C. & LCBO TO COORDINATE POSITION OF LCD & INSTALLATION OF BRACKET. ENSURE FACE OF LCD MONITOR DOES PROJECT BEYOND FACE OF FIXTURE. G.C. TO REFER TO SRRS FOR EQUIPMENT SPECIFICATIONS

MDF SIGN BAND W/ AUTOMOTIVE PT. FIN. NO. (24) & CONCEALED FLUORESCENT LIGHTING

MONITOR & TILTING WALL MOUNT BRACKET (ROCKETFISH #RF-TVMLPT02 OR APPROVED EQUAL) TO BE SUPPLIED & INSTALLED BY GC. SECURE METAL BRACKET TO 1/2" THICK PANEL AT BACK OF FIXTURE. G.C. & LCBO TO COORDINATE POSITION OF LCD & INSTALLATION OF BRACKET. ENSURE FACE OF LCD MONITOR DOES PROJECT BEYOND FACE OF FIXTURE. G.C. TO REFER TO SRRS FOR EQUIPMENT SPECIFICATIONS

LOCKABLE HINGED CABINET TO CONCEAL DVD PLAYER & COMPONENTS FIN. NO. (03A) (TO BE REMOVABLE)

FIXED SHELVES FIN. NO. (08) W/ STRAIGHT HARDWOOD TICKET MOULDING FIN. NO. (30)

TAPERED MDF POST W/ AUTOMOTIVE PT. FIN. NO. (24)

MDF POST W/ AUTOMOTIVE PT. FIN. NO. (24)

3/4" X 1 1/2" THK. MDF RAIL W/ AUTOMOTIVE PT. FIN. NO. (24)

FIXED SHELVES FIN. NO. (08) W/ ANGLED HARDWOOD TICKET MOULDING FIN. NO. (30)

NOTE: G.C. TO SECURE FIXTURE TO WALL W/ STRAPPING AS NECESSARY TO ENSURE STABILITY

6 1/2" HIGH METAL CORNER GUARD FIN. NO. (24)

RECESSED 4" HIGH BASE FIN. NO. (04)

GENERAL NOTES:

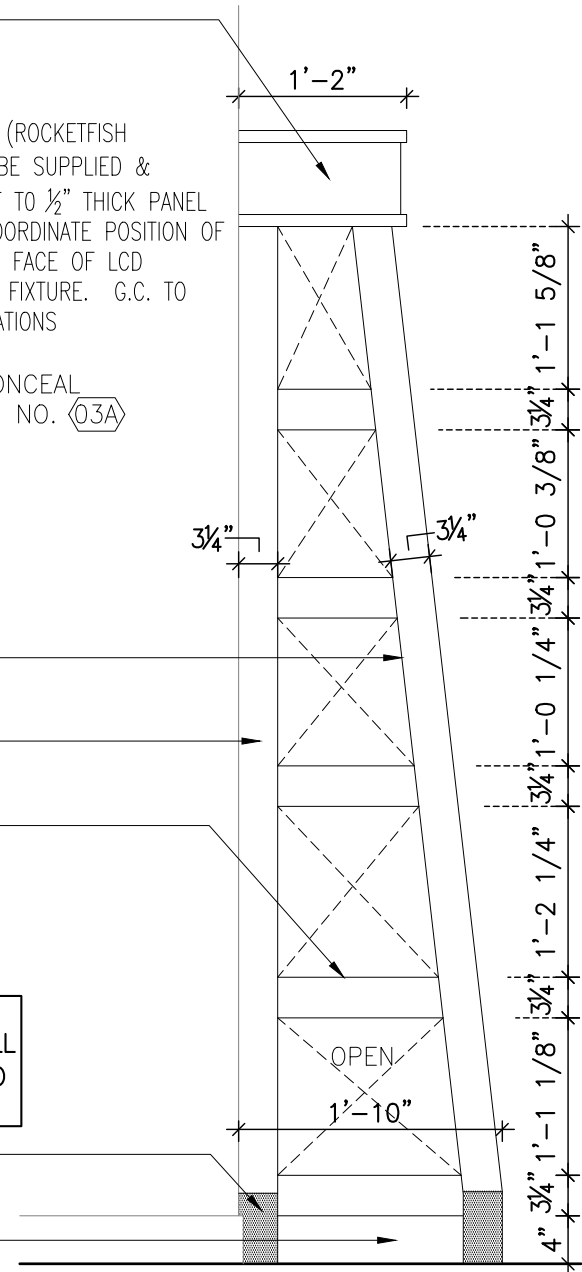
G.C. TO PROVIDE POWER SOURCE FOR FIXTURE (IF REQUIRED) IN WALL BEHIND FIXTURE OR CONCEALED IN WALL BEHIND SIGN BAND. G.C. TO COORDINATE WITH MILLWORK CONTRACTOR AND ENSURE THAT ALL WIRES ARE CONCEALED FROM CUSTOMER VIEW

MILLWORK CONTRACTOR TO PROVIDE PROTOTYPE FOR REVIEW AND APPROVAL PRIOR TO FABRICATION OF REMAINING UNITS.

REFER TO THE SRRS FOR A.V. EQUIPMENT SPECIFICATION, TO BE SUPPLIED BY THE G.C.

NOTE: SOLID WOOD GRADE TO BE FAS

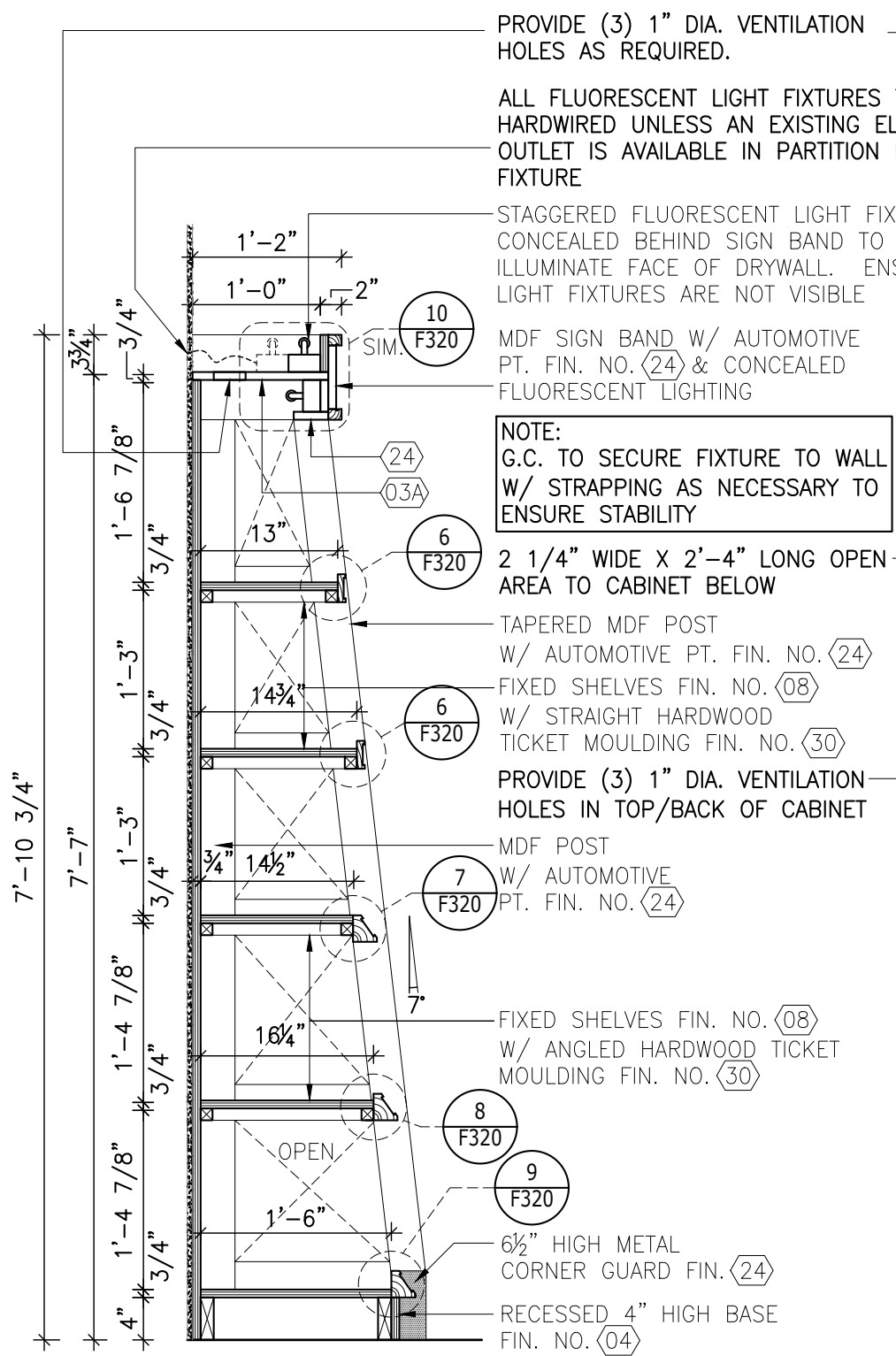
NOTE: MILLWORK CONTRACTOR TO ENSURE THAT FIXTURE IS CONSTRUCTED SO THAT LIGHT FIXTURES CAN BE SERVICED AND/OR REMOVED WITHOUT DISMANTLING MILLWORK



PROVIDE SHOP DWGS. FOR APPROVAL, PRIOR TO FABRICATION

3 ELEVATION F320 3/4" = 1'-0"

LCBO	300 VINTAGES	REVISION DATE	REV.	1 of 3	ISSUE DATE	STORE TYPE	STORE #
	FEATURE FIXTURE - 2 MODULE	2017 NOV	15	F320	2021 APR		



PROVIDE (3) 1" DIA. VENTILATION HOLES AS REQUIRED.

ALL FLUORESCENT LIGHT FIXTURES TO BE HARDWIRED UNLESS AN EXISTING ELECTRICAL OUTLET IS AVAILABLE IN PARTITION BEHIND FIXTURE

STAGGERED FLUORESCENT LIGHT FIXTURES CONCEALED BEHIND SIGN BAND TO ILLUMINATE FACE OF DRYWALL. ENSURE LIGHT FIXTURES ARE NOT VISIBLE

MDF SIGN BAND W/ AUTOMOTIVE PT. FIN. NO. (24) & CONCEALED FLUORESCENT LIGHTING

NOTE:
G.C. TO SECURE FIXTURE TO WALL W/ STRAPPING AS NECESSARY TO ENSURE STABILITY

2 1/4" WIDE X 2'-4" LONG OPEN AREA TO CABINET BELOW

TAPERED MDF POST W/ AUTOMOTIVE PT. FIN. NO. (24)

FIXED SHELVES FIN. NO. (08) W/ STRAIGHT HARDWOOD TICKET MOULDING FIN. NO. (30)

PROVIDE (3) 1" DIA. VENTILATION HOLES IN TOP/BACK OF CABINET

MDF POST W/ AUTOMOTIVE PT. FIN. NO. (24)

FIXED SHELVES FIN. NO. (08) W/ ANGLED HARDWOOD TICKET MOULDING FIN. NO. (30)

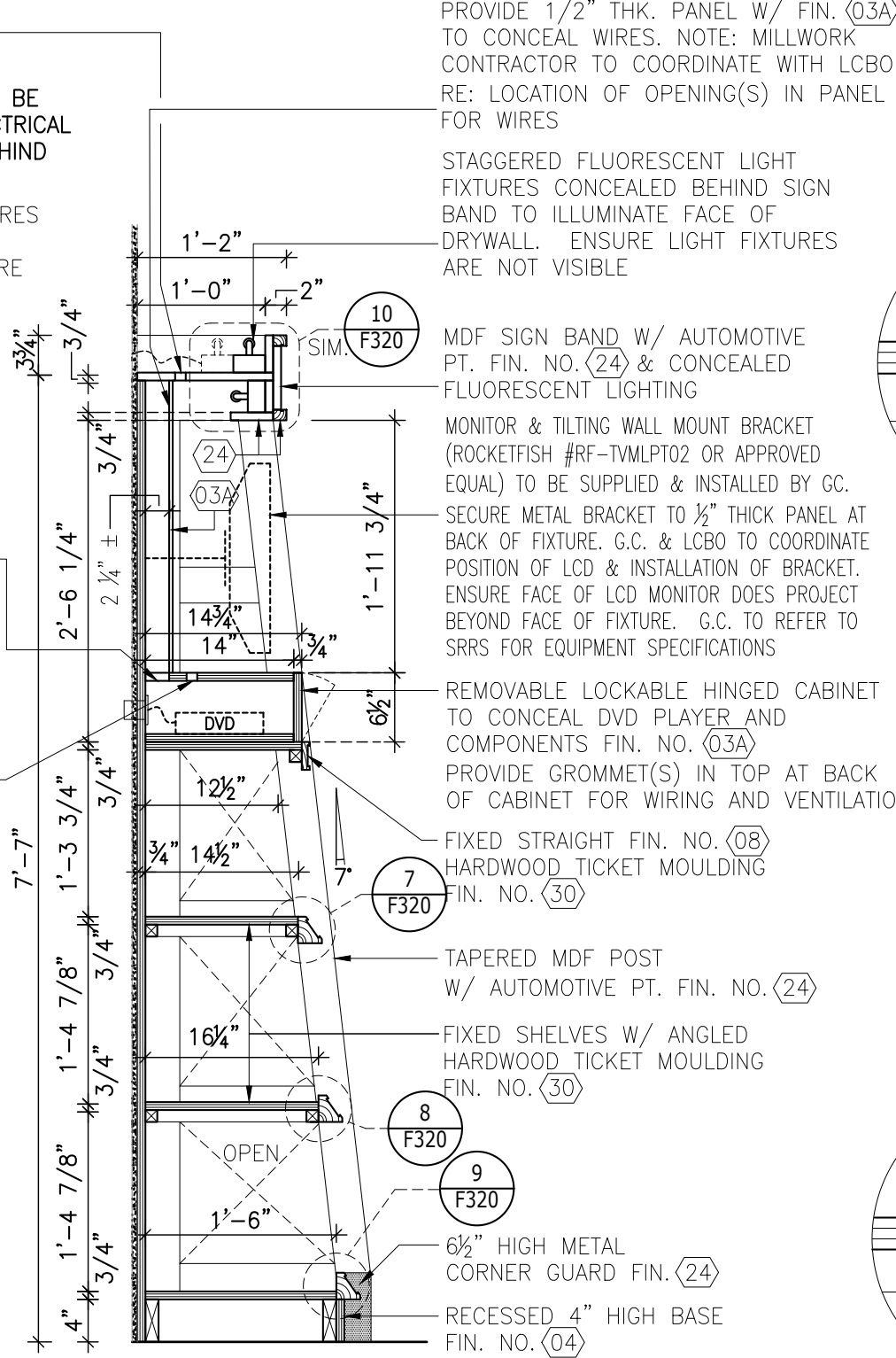
6 1/2" HIGH METAL CORNER GUARD FIN. (24)

RECESSED 4" HIGH BASE FIN. NO. (04)

4 SECTION
F320 3/4" = 1'-0"

PROVIDE SHOP DWGS. FOR APPROVAL, PRIOR TO FABRICATION

NOTE:
SOLID WOOD GRADE TO BE FAS



PROVIDE 1/2" THK. PANEL W/ FIN. (03A) TO CONCEAL WIRES. NOTE: MILLWORK CONTRACTOR TO COORDINATE WITH LCBO RE: LOCATION OF OPENING(S) IN PANEL FOR WIRES

STAGGERED FLUORESCENT LIGHT FIXTURES CONCEALED BEHIND SIGN BAND TO ILLUMINATE FACE OF DRYWALL. ENSURE LIGHT FIXTURES ARE NOT VISIBLE

MDF SIGN BAND W/ AUTOMOTIVE PT. FIN. NO. (24) & CONCEALED FLUORESCENT LIGHTING

MONITOR & TILTING WALL MOUNT BRACKET (ROCKETFISH #RF-TVMLPT02 OR APPROVED EQUAL) TO BE SUPPLIED & INSTALLED BY GC. SECURE METAL BRACKET TO 1/2" THICK PANEL AT BACK OF FIXTURE. G.C. & LCBO TO COORDINATE POSITION OF LCD & INSTALLATION OF BRACKET. ENSURE FACE OF LCD MONITOR DOES PROJECT BEYOND FACE OF FIXTURE. G.C. TO REFER TO SRRS FOR EQUIPMENT SPECIFICATIONS

REMOVABLE LOCKABLE HINGED CABINET TO CONCEAL DVD PLAYER AND COMPONENTS FIN. NO. (03A)

PROVIDE GROMMET(S) IN TOP AT BACK OF CABINET FOR WIRING AND VENTILATION

FIXED STRAIGHT FIN. NO. (08) HARDWOOD TICKET MOULDING FIN. NO. (30)

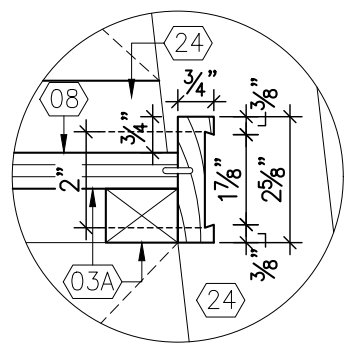
TAPERED MDF POST W/ AUTOMOTIVE PT. FIN. NO. (24)

FIXED SHELVES W/ ANGLED HARDWOOD TICKET MOULDING FIN. NO. (30)

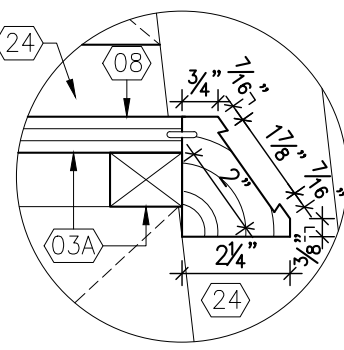
6 1/2" HIGH METAL CORNER GUARD FIN. (24)

RECESSED 4" HIGH BASE FIN. NO. (04)

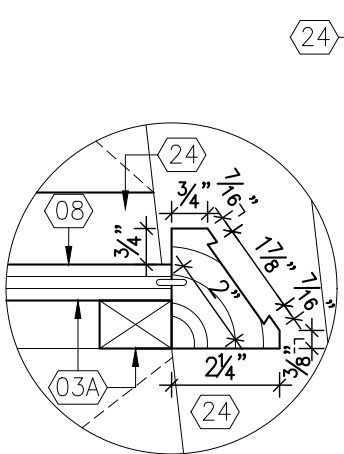
5 SECTION
F320 3/4" = 1'-0"



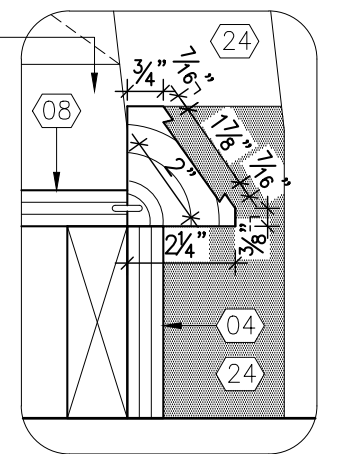
6 DETAIL
F320 3/4" = 1'-0"



7 DETAIL
F320 3/4" = 1'-0"



8 DETAIL
F320 3/4" = 1'-0"



9 DETAIL
F320 3/4" = 1'-0"

GENERAL NOTES:
G.C. TO PROVIDE POWER SOURCE FOR FIXTURE (IF REQUIRED) IN WALL BEHIND FIXTURE OR CONCEALED IN WALL BEHIND SIGN BAND. G.C. TO COORDINATE WITH MILLWORK CONTRACTOR AND ENSURE THAT ALL WIRES ARE CONCEALED FROM CUSTOMER VIEW

MILLWORK CONTRACTOR TO PROVIDE PROTOTYPE FOR REVIEW AND APPROVAL PRIOR TO FABRICATION OF REMAINING UNITS.

REFER TO THE SRRS FOR A.V. EQUIPMENT SPECIFICATION, TO BE SUPPLIED BY THE G.C.

LCBO	300 VINTAGES	REVISION DATE	REV.	2 of 3	ISSUE DATE	STORE TYPE	STORE #
	FEATURE FIXTURE - 2 MODULE	2017 NOV	15	F320	2021 APR		

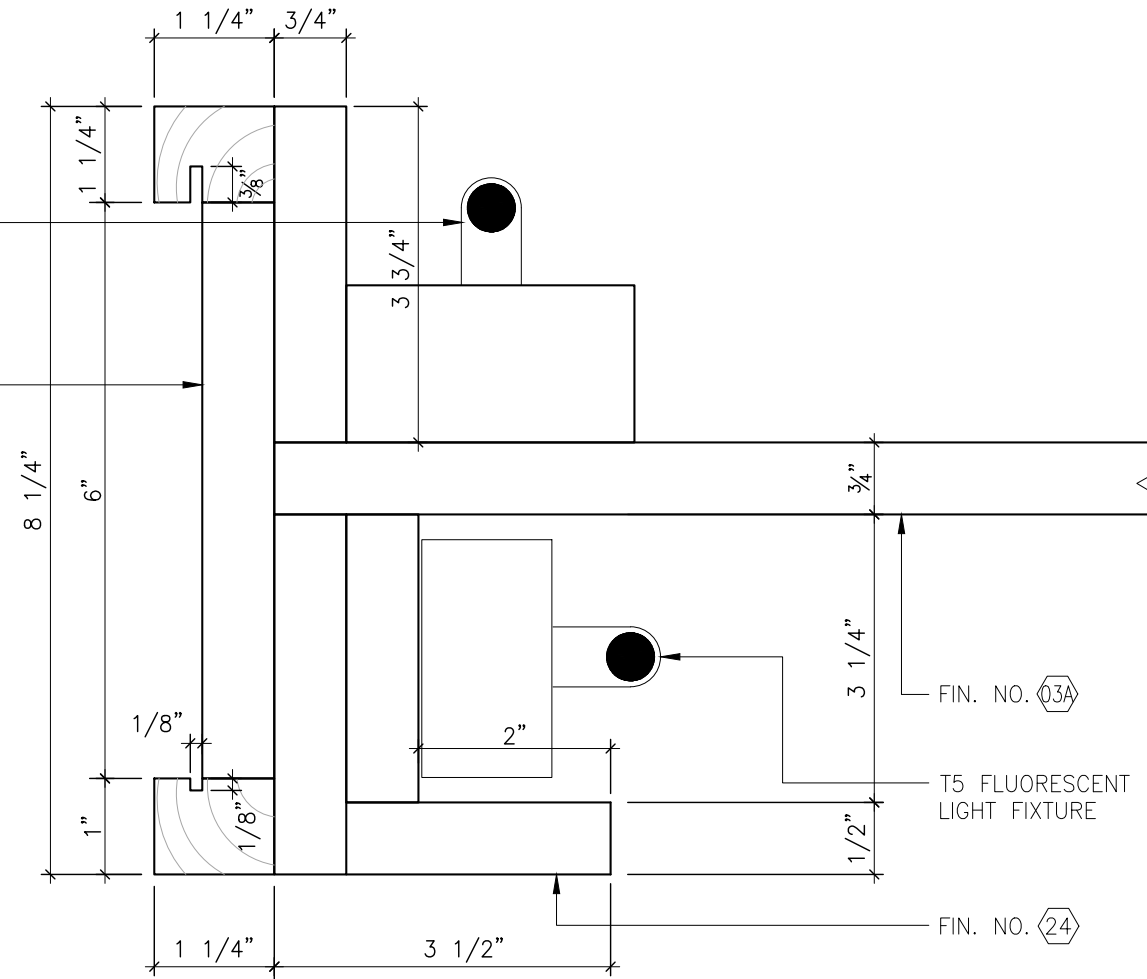
T5 FLUORESCENT LIGHT COVE TO ILLUMINATE FACE OF DRYWALL B/HEAD, FLUORSCENT FIXTURES TO OVERLAP TO PREVENT DARK SPOTS. SUPPLIED AND INSTALLED BY MILLWORK CONTRACTOR.

MDF SIGN BAND FIN. NO. (24) TO ALL EXPOSED SURFACES

NOTE:
ALL POWER FEEDS TO BE CONCEALED FROM CUSTOMERS VIEW.

ALL LIGHTING WITHIN UNIT TO BE SUPPLIED & INSTALLED BY MILLWORK CONTRACTOR. FINAL CONNECTIONS BY G.C.'s ELECTRICAL SUBTRADE.

NOTE:
MILLWORK CONTRACTOR TO ENSURE THAT FIXTURE IS CONSTRUCTED SO THAT LIGHT FIXTURES CAN BE SERVICED AND/OR REMOVED WITHOUT DISMANTLING MILLWORK

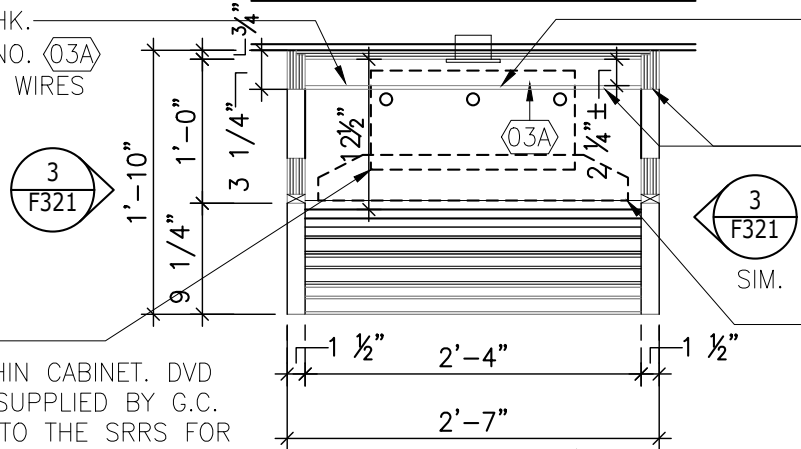


10 SECTION-DETAIL
F320 6" = 1'-0"

LCBO	300 VINTAGES	REVISION DATE	REV.	3 of 3	ISSUE DATE	STORE TYPE	STORE #
	FEATURE FIXTURE - 2 MODULE	2017 NOV	15	F320	2021 APR		

PROVIDE 1/2" THK. PANEL W/ FIN. NO. (03A) FOR CONCEALING WIRES

2 1/4" ± X 2'-4" LONG AREA TO BE OPEN TO CABINET BELOW



ALIGN 1/2" THICK PANEL WITH FACE OF MDF POST AS SHOWN.

MONITOR & TILTING WALL MOUNT BRACKET (ROCKETFISH #RF-TVMLPT02 OR APPROVED EQUAL) TO BE SUPPLIED & INSTALLED BY GC. SECURE METAL BRACKET TO 1/2" THICK PANEL AT BACK OF FIXTURE. G.C. & LCBO TO COORDINATE POSITION OF LCD & INSTALLATION OF BRACKET. ENSURE FACE OF LCD MONITOR DOES PROJECT BEYOND FACE OF FIXTURE. G.C. TO REFER TO SRRS FOR EQUIPMENT SPECIFICATIONS

DVD PLAYER CONCEALED WITHIN CABINET. DVD PLAYER TO BE SUPPLIED BY G.C. G.C. TO REFER TO THE SRRS FOR EQUIPMENT SPECIFICATIONS

GENERAL NOTES:
 G.C. TO PROVIDE POWER SOURCE FOR FIXTURE (IF REQUIRED) IN WALL BEHIND FIXTURE OR CONCEALED IN WALL BEHIND SIGN BAND. G.C. TO COORDINATE WITH MILLWORK CONTRACTOR AND ENSURE THAT ALL WIRES ARE CONCEALED FROM CUSTOMER VIEW
 MILLWORK CONTRACTOR TO PROVIDE PROTOTYPE FOR REVIEW AND APPROVAL PRIOR TO FABRICATION OF REMAINING UNITS.
 REFER TO THE SRRS FOR A.V. EQUIPMENT SPECIFICATION, TO BE SUPPLIED BY THE G.C.

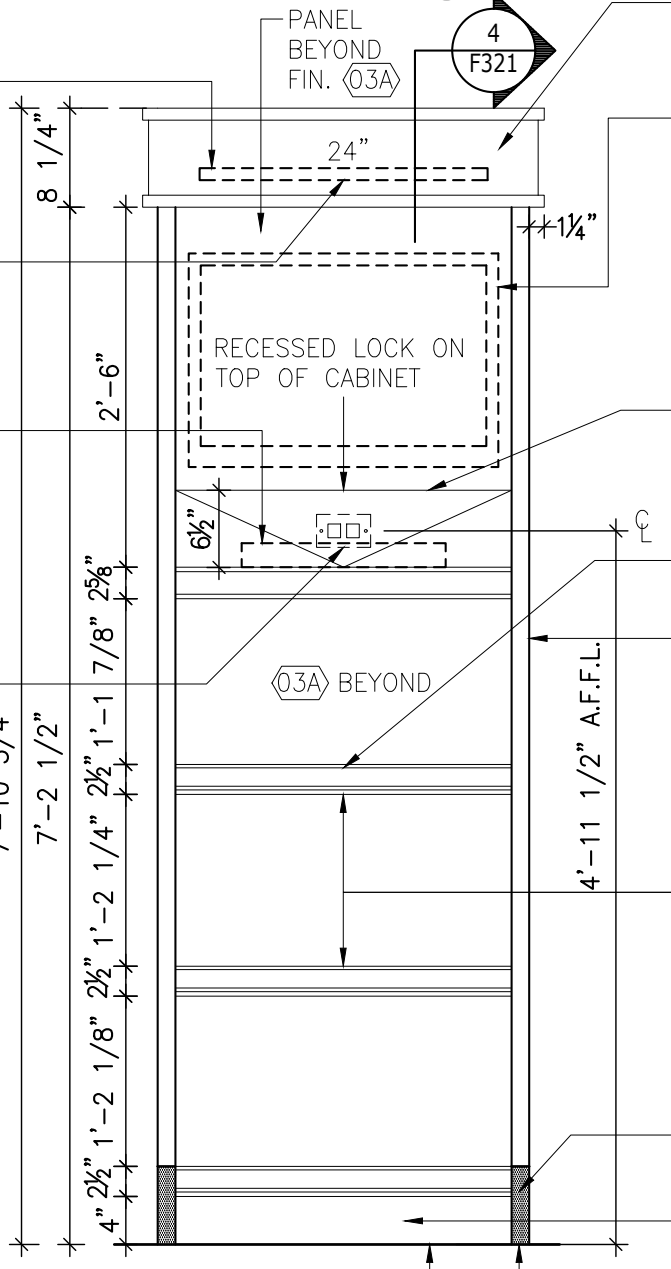
1 PLAN
 F321 3/4" = 1'-0"

FLUORESCENT LIGHT FIXTURE CONCEALED WITHIN FASCIA/SIGN BAND FOR ILLUMINATION OF SHELVING

NOTE: CENTER FLUORESCENT LIGHT FIXTURE TO BE SWITCHED OFF ONCE FUTURE LCD MONITOR IS INSTALLED

DVD PLAYER CONCEALED WITHIN CABINET. DVD PLAYER TO BE SUPPLIED BY G.C. G.C. TO REFER TO THE SRRS FOR EQUIPMENT SPECIFICATIONS

PROVIDE RECESSED ELECTRICAL OUTLET W/ STAINLESS STEEL COVER PLATE IN BACK PANEL OF FIXTURE



MDF SIGN BAND W/ AUTOMOTIVE PT. FIN. NO. (24) & CONCEALED FLUORESCENT LIGHTING

MONITOR & TILTING WALL MOUNT BRACKET (ROCKETFISH #RF-TVMLPT02 OR APPROVED EQUAL) TO BE SUPPLIED & INSTALLED BY GC. SECURE METAL BRACKET TO 1/2" THICK PANEL AT BACK OF FIXTURE. G.C. & LCBO TO COORDINATE POSITION OF LCD & INSTALLATION OF BRACKET. ENSURE FACE OF LCD MONITOR DOES PROJECT BEYOND FACE OF FIXTURE. G.C. TO REFER TO SRRS FOR EQUIPMENT SPECIFICATIONS

LOCKABLE HINGED CABINET TO CONCEAL DVD PLAYER & COMPONENTS FIN. NO. (03A) (TO BE REMOVABLE)

FIXED SHELVES FIN. NO. (08) W/ STRAIGHT HARDWOOD TICKET MOULDING FIN. NO. (30)

TAPERED MDF POST W/ AUTOMOTIVE PT. FIN. NO. (24)

MDF POST W/ AUTOMOTIVE PT. FIN. NO. (24)

3/4" X 1 1/2" THK. MDF RAIL W/ AUTOMOTIVE PT. FIN. NO. (24)

FIXED SHELVES FIN. NO. (08) W/ ANGLED HARDWOOD TICKET MOULDING FIN. NO. (30)

6 1/2" HIGH METAL CORNER GUARD FIN. (24)

RECESSED 4" HIGH BASE FIN. NO. (04)

NOTE: BASE TO BE SCRIBED TO FLOOR

NOTE: SOLID WOOD GRADE TO BE FAS

NOTE: MILLWORK CONTRACTOR TO ENSURE THAT FIXTURE IS CONSTRUCTED SO THAT LIGHT FIXTURES CAN BE SERVICED AND/OR REMOVED WITHOUT DISMANTLING MILLWORK

NOTE: G.C. TO SECURE FIXTURE TO WALL W/ STRAPPING AS NECESSARY TO ENSURE STABILITY

PROVIDE SHOP DWGS. FOR APPROVAL, PRIOR TO FABRICATION

3 ELEVATION
 F321 3/4" = 1'-0"

2 ELEVATION
 F321 3/4" = 1'-0"

LCBO	300 VINTAGES	REVISION DATE	REV.	1 of 3	ISSUE DATE	STORE TYPE	STORE #
	FEATURE FIXTURE - SINGLE MODULE (2'-7" WIDE)	2017 NOV	15	F321	2021 APR		

PROVIDE (3) 1" DIA. VENTILATION HOLES AS REQUIRED.

ALL FLUORESCENT LIGHT FIXTURES TO BE HARDWIRED UNLESS AN EXISTING ELECTRICAL OUTLET IS AVAILABLE IN PARTITION BEHIND FIXTURE

NOTE:
G.C. TO SECURE FIXTURE TO WALL W/ STRAPPING AS NECESSARY TO ENSURE STABILITY

PROVIDE (3) 1" DIA. VENTILATION HOLES IN TOP/BACK OF CABINET

PROVIDE SHOP DWGS. FOR APPROVAL, PRIOR TO FABRICATION

2 1/4" WIDE X 2'-4" LONG OPEN AREA TO CABINET BELOW

GENERAL NOTES:
G.C. TO PROVIDE POWER SOURCE FOR FIXTURE (IF REQUIRED) IN WALL BEHIND FIXTURE OR CONCEALED IN WALL BEHIND SIGN BAND. G.C. TO COORDINATE WITH MILLWORK CONTRACTOR AND ENSURE THAT ALL WIRES ARE CONCEALED FROM CUSTOMER VIEW

MILLWORK CONTRACTOR TO PROVIDE PROTOTYPE FOR REVIEW AND APPROVAL PRIOR TO FABRICATION OF REMAINING UNITS.

REFER TO THE SRRS FOR A.V. EQUIPMENT SPECIFICATION, TO BE SUPPLIED BY THE G.C.

NOTE:
SOLID WOOD GRADE TO BE FAS

PROVIDE 1/2" THK. PANEL W/ FIN. (03A) TO CONCEAL WIRES. NOTE: MILLWORK CONTRACTOR TO COORDINATE WITH LCBO RE: LOCATION OF OPENING(S) IN PANEL FOR WIRES

STAGGERED FLUORESCENT LIGHT FIXTURES CONCEALED BEHIND SIGN BAND TO ILLUMINATE FACE OF DRYWALL. ENSURE LIGHT FIXTURES ARE NOT VISIBLE

MDF SIGN BAND W/ AUTOMOTIVE PT. FIN. NO. (24) & CONCEALED FLUORESCENT LIGHTING

MONITOR & TILTING WALL MOUNT BRACKET (ROCKETFISH #RF-TVMLPT02 OR APPROVED EQUAL) TO BE SUPPLIED & INSTALLED BY GC. SECURE METAL BRACKET TO 1/2" THICK PANEL AT BACK OF FIXTURE. G.C. & LCBO TO COORDINATE POSITION OF LCD & INSTALLATION OF BRACKET. ENSURE FACE OF LCD MONITOR DOES PROJECT BEYOND FACE OF FIXTURE. G.C. TO REFER TO SRRS FOR EQUIPMENT SPECIFICATIONS

REMOVABLE LOCKABLE HINGED CABINET TO CONCEAL DVD PLAYER AND COMPONENTS FIN. NO. (03A)
PROVIDE GROMMET(S) IN TOP AT BACK OF CABINET FOR WIRING AND VENTILATION

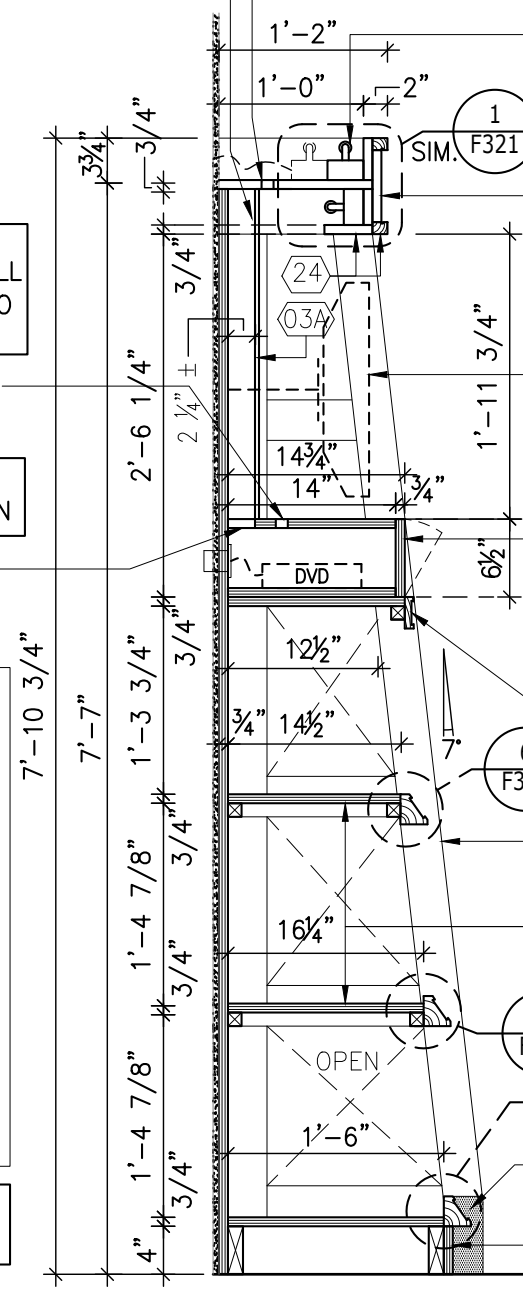
FIXED STRAIGHT HARDWOOD TICKET MOULDING FIN. NO. (30)

TAPERED MDF POST W/ AUTOMOTIVE PT. FIN. NO. (24)

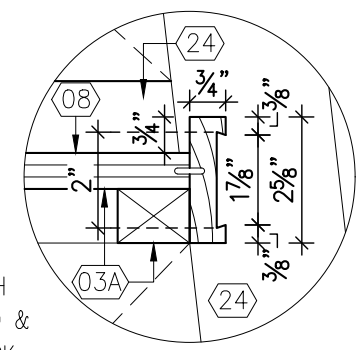
FIXED SHELVES FIN. NO. (08) W/ ANGLED HARDWOOD TICKET MOULDING FIN. NO. (30)

6 1/2" HIGH METAL CORNER GUARD FIN. (24)

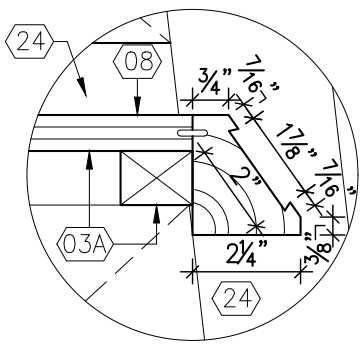
RECESSED 4" HIGH BASE FIN. NO. (04)



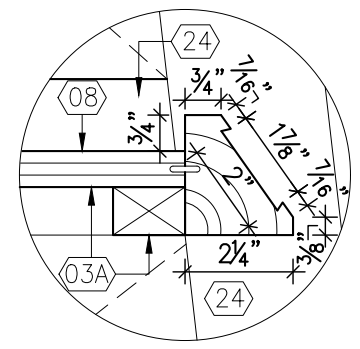
4 SECTION
F321 3/4" = 1'-0"



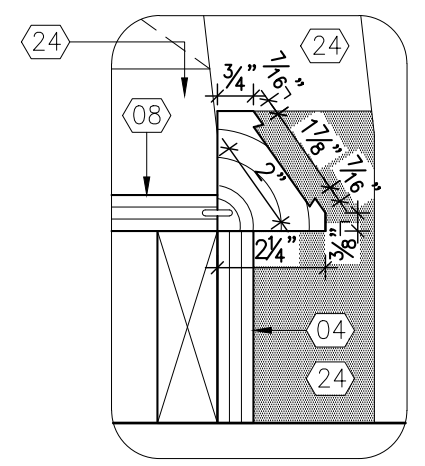
5 DETAIL
F321 3" = 1'-0"



6 DETAIL
F321 3" = 1'-0"



7 DETAIL
F321 3" = 1'-0"



8 DETAIL
F321 3" = 1'-0"

LCBO	300 VINTAGES	REVISION DATE	REV.	2 of 3	ISSUE DATE	STORE TYPE	STORE #
	FEATURE FIXTURE - SINGLE MODULE (2'-7" WIDE)	2017 NOV	15	F321	2021 APR		

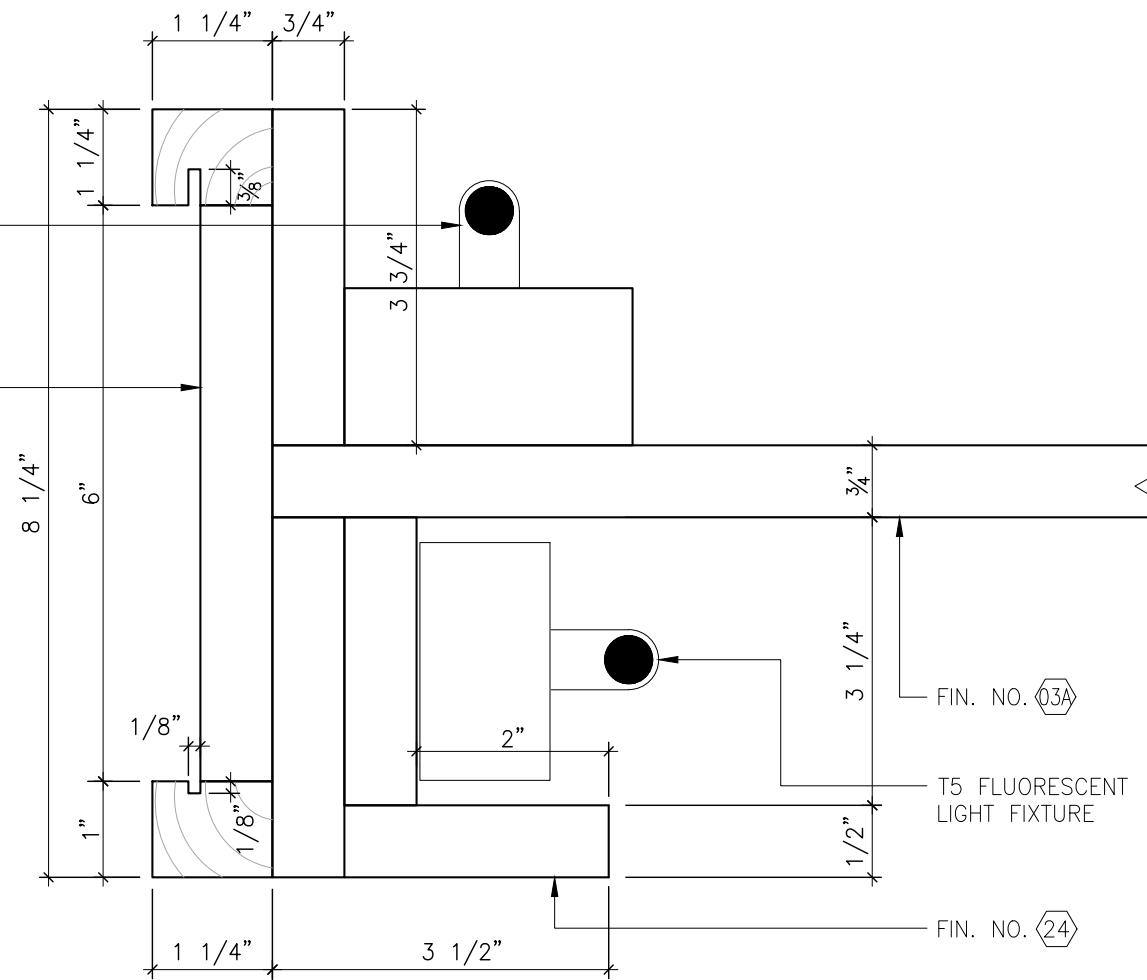
T5 FLUORESCENT LIGHT COVE TO ILLUMINATE FACE OF DRYWALL B/HEAD, FLUORSCENT FIXTURES TO OVERLAP TO PREVENT DARK SPOTS. SUPPLIED AND INSTALLED BY MILLWORK CONTRACTOR.

MDF SIGN BAND FIN. NO. (24) TO ALL EXPOSED SURFACES

NOTE:
ALL POWER FEEDS TO BE CONCEALED FROM CUSTOMERS VIEW.

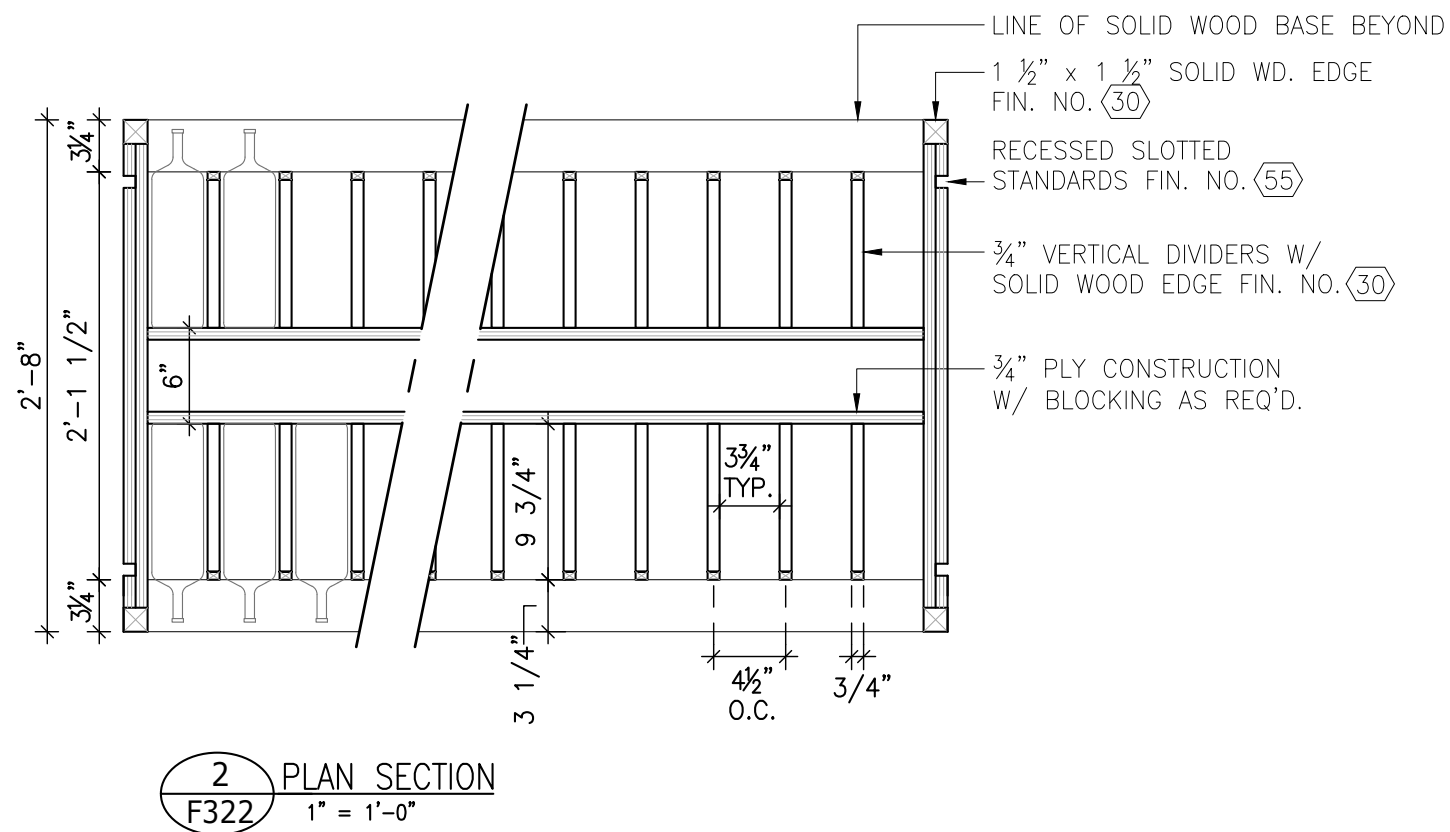
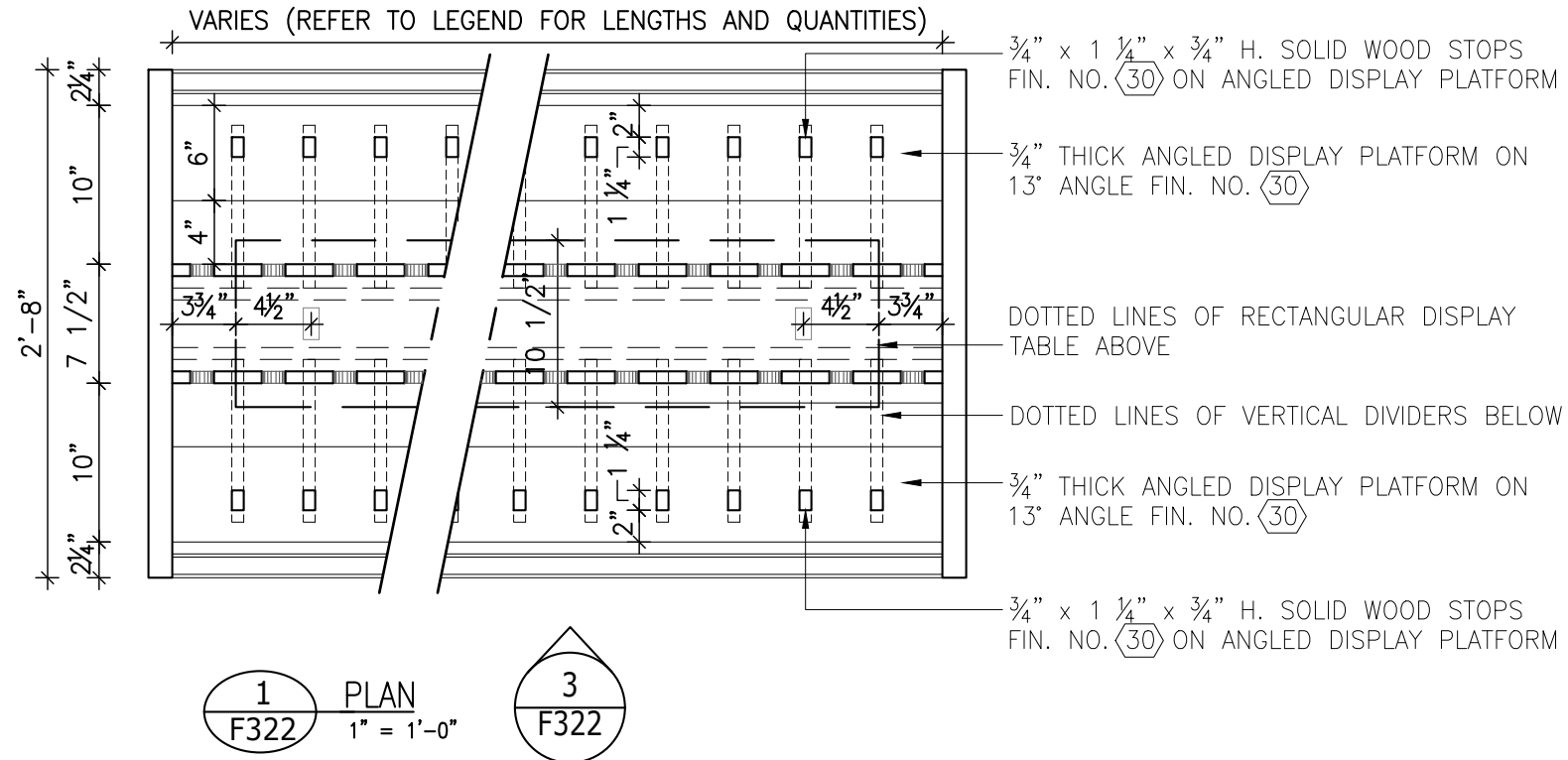
ALL LIGHTING WITHIN UNIT TO BE SUPPLIED & INSTALLED BY MILLWORK CONTRACTOR. FINAL CONNECTIONS BY G.C.'s ELECTRICAL SUBTRADE.

NOTE:
MILLWORK CONTRACTOR TO ENSURE THAT FIXTURE IS CONSTRUCTED SO THAT LIGHT FIXTURES CAN BE SERVICED AND/OR REMOVED WITHOUT DISMANTLING MILLWORK



10 SECTION-DETAIL
F320 6" = 1'-0"

LCBO	300 VINTAGES	REVISION DATE	REV.	3 of 3	ISSUE DATE	STORE TYPE	STORE #
	FEATURE FIXTURE - SINGLE MODULE (2'-7" WIDE)	2017 NOV	15	F321	2021 APR		



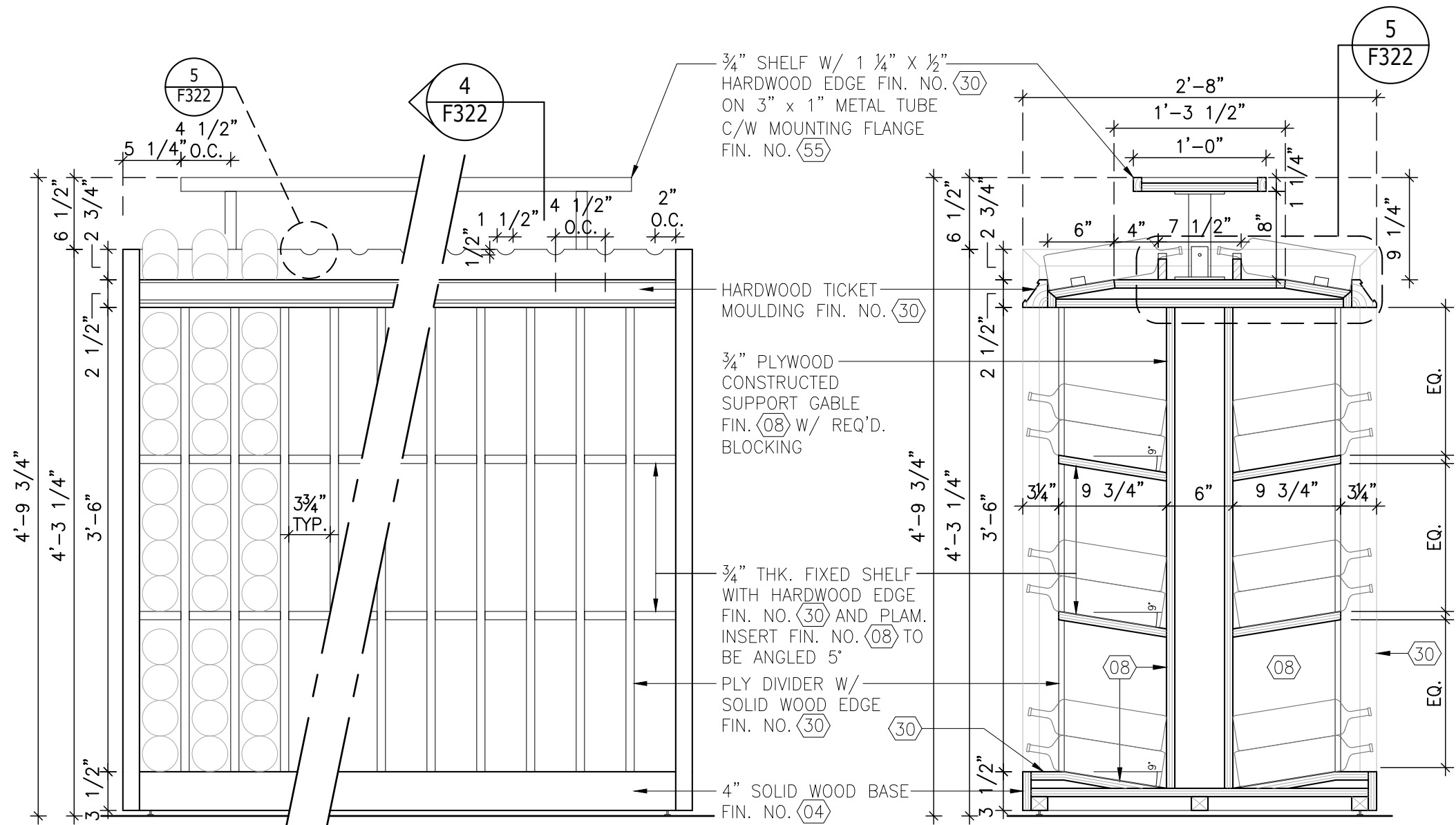
NOTE:
SOLID WOOD GRADE TO BE FAS

NOTE:
THIS UNIT TO BE FABRICATED IN
KNOCK DOWN SECTIONS TO FIT
THROUGH 36" WIDE (MAX.) DOOR

MILLWORK CONTRACTOR TO
ADVISE RE: METHOD OF
CONSTRUCTING FLOOR FIXTURES
TO ACHIEVE THE APPEARANCE OF
ONE CONTINUOUS UNIT.

NOTE:
ALL SCREWS TO BE CONCEALED
WITH APPROPRIATE SCREW CAPS
TO MATCH WOOD FINISH. VISIBLE
SCREWS ARE PROHIBITED.

LCBO	300 VINTAGES	REVISION DATE	REV.	1 of 3	ISSUE DATE	STORE TYPE	STORE #
	VINTAGES TROLLEY (2'-8" WIDE)	2017 NOV	15	F322	2021 APR		



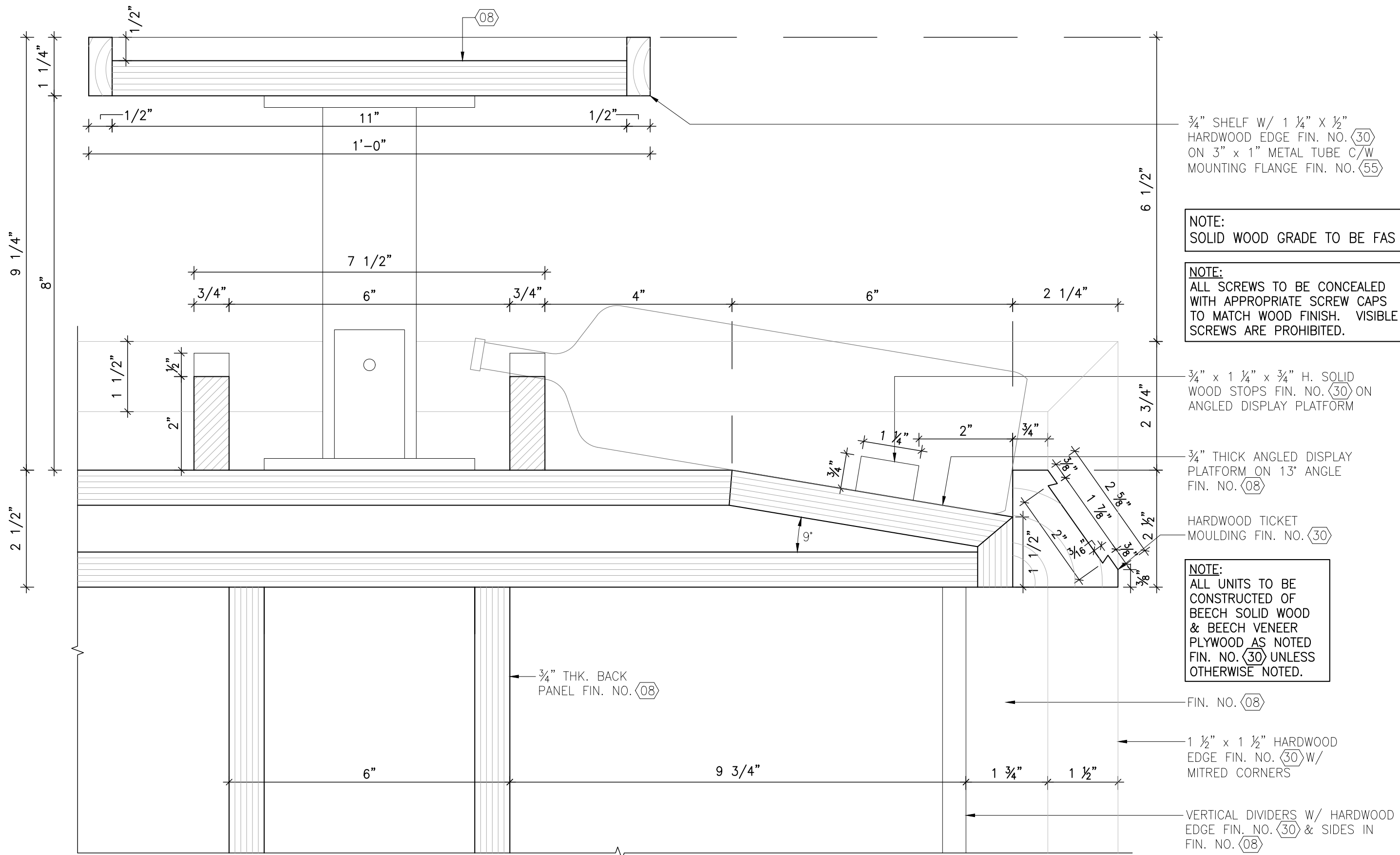
3
F322 ELEVATION
1" = 1'-0"

4
F322 SECTION
1" = 1'-0"

NOTE:
SOLID WOOD GRADE TO BE FAS

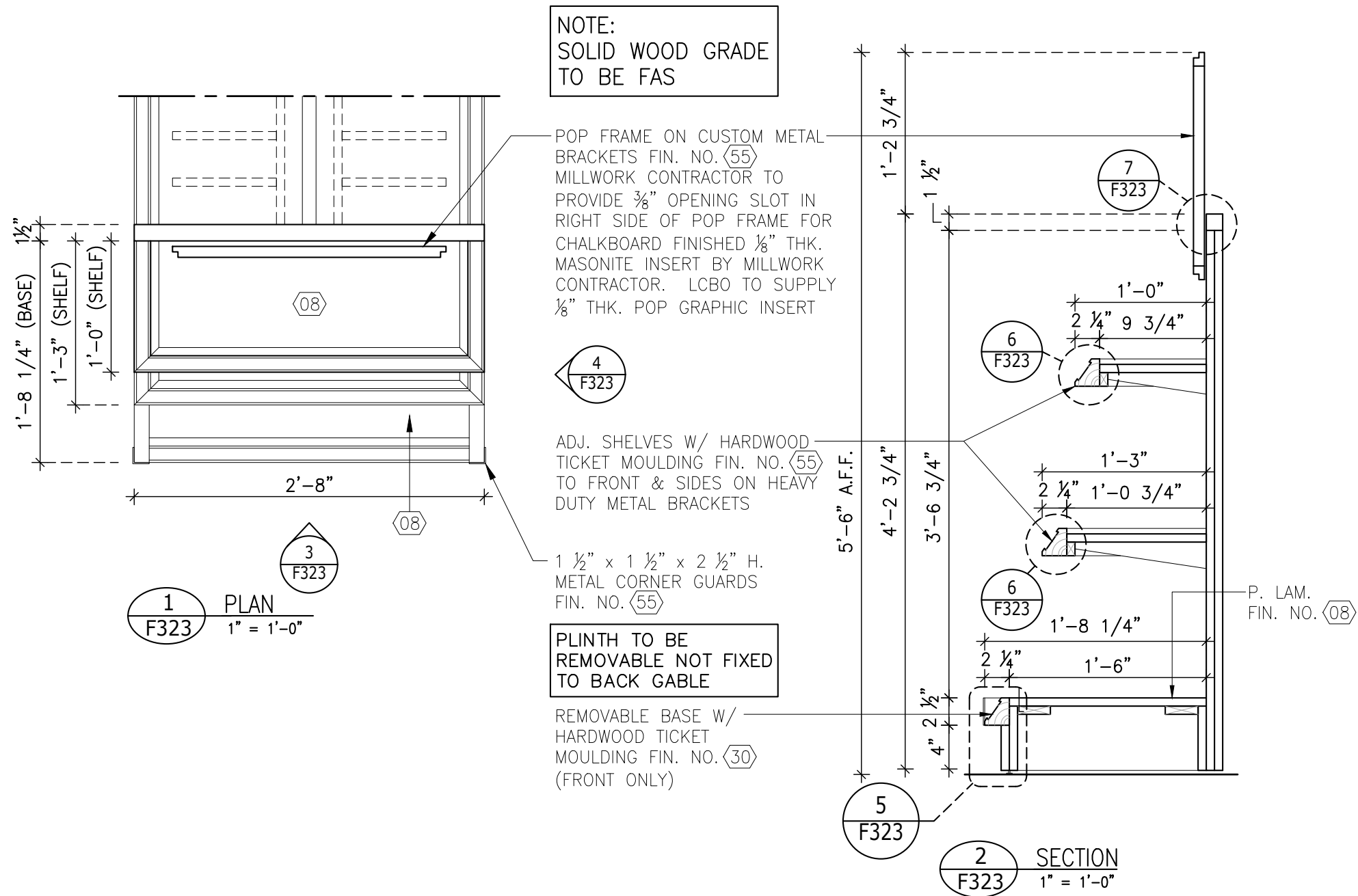
NOTE:
ALL SCREWS TO BE CONCEALED
WITH APPROPRIATE SCREW CAPS
TO MATCH WOOD FINISH. VISIBLE
SCREWS ARE PROHIBITED.

LCBO	300 VINTAGES	REVISION DATE	REV.	2 of 3	ISSUE DATE	STORE TYPE	STORE #
	VINTAGES TROLLEY (2'-8" WIDE)	2017 NOV	15	F322	2021 APR		

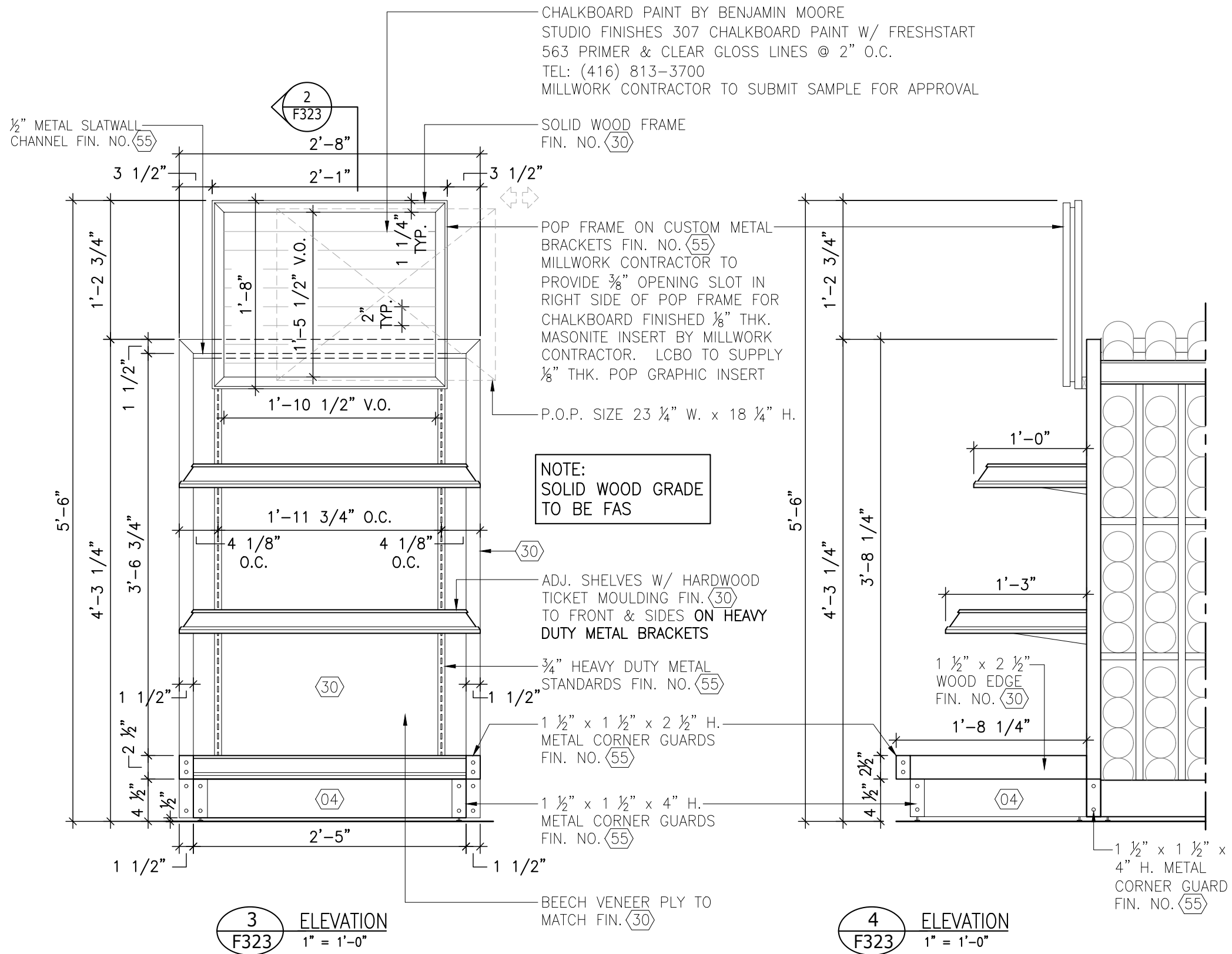


5 DETAIL
F322 6" = 1'-0"

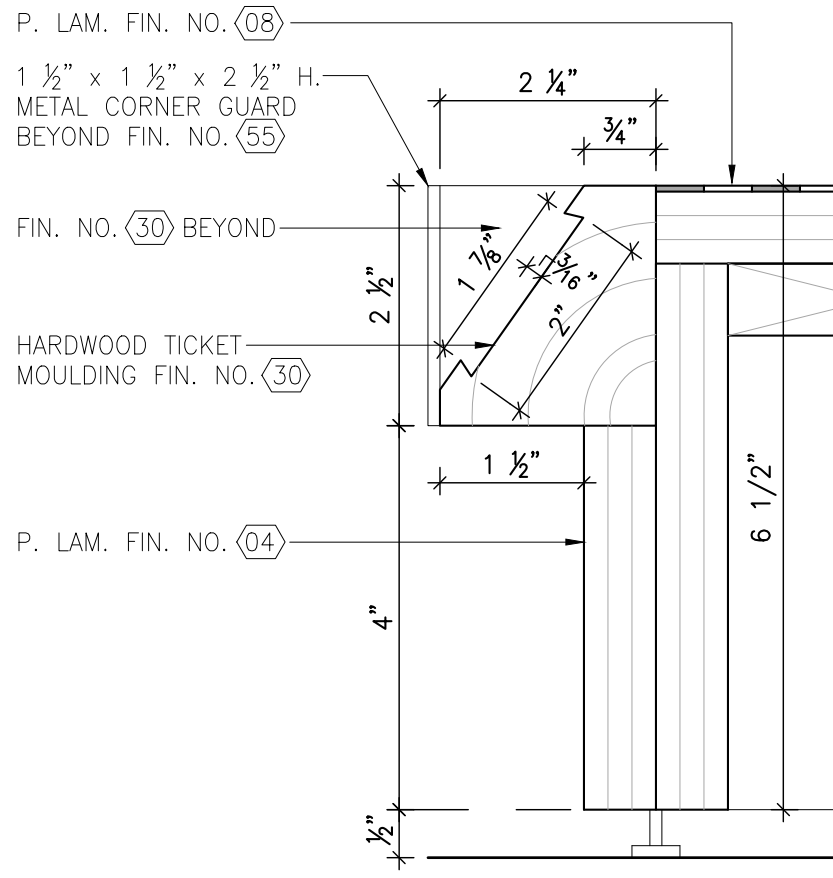
LCBO	300 VINTAGES	REVISION DATE	REV.	3 of 3	ISSUE DATE	STORE TYPE	STORE #
	VINTAGES TROLLEY (2'-8" WIDE)	2017 NOV	15	F322	2021 APR		



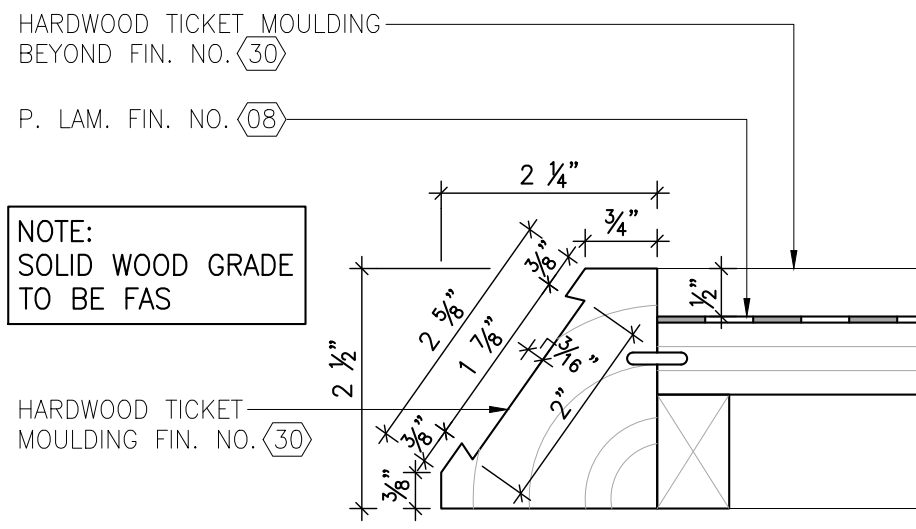
LCBO	300 VINTAGES	REVISION DATE	REV.	1 of 3	ISSUE DATE	STORE TYPE	STORE #
	VINTAGES TROLLEY CART END DISPLAY UNIT w/ CHALKBOARD - 2'-8" WIDE	2017 NOV	15	F323	2021 APR		



LCBO	300 VINTAGES	REVISION DATE	REV.	2 of 3	ISSUE DATE	STORE TYPE	STORE #
	VINTAGES TROLLEY CART END DISPLAY UNIT w/ CHALKBOARD - 2'-8" WIDE	2017 NOV	15	F323	2021 APR		



5 SECTION (BASE)
F323 6" = 1'-0"



NOTE:
SOLID WOOD GRADE
TO BE FAS

6 SECTION (ANGLED TICKET MOULDING)
F323 6" = 1'-0"

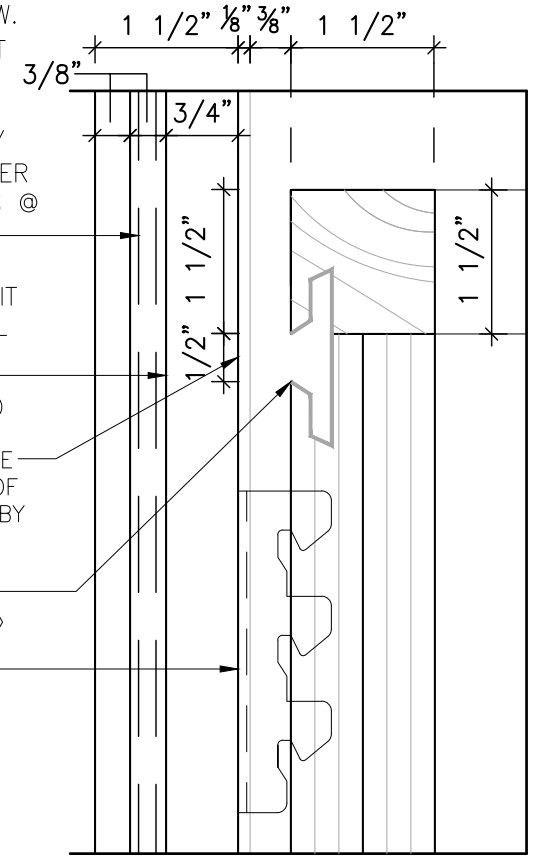
REMOV. 1/8" MASONITE
PANEL 24" H. x 30" W.
W/ CHALKBOARD PAINT
BY BENJAMIN MOORE
STUDIO FINISHES 307
CHALKBOARD PAINT W/
FRESHSTART 563 PRIMER
& CLEAR GLOSS LINES @
2" O.C. TEL: (416)
813-3700 MILLWORK
CONTRACTOR TO SUBMIT
SAMPLE FOR APPROVAL

FACE OF BACK PANEL
TO REMAIN UNFINISHED

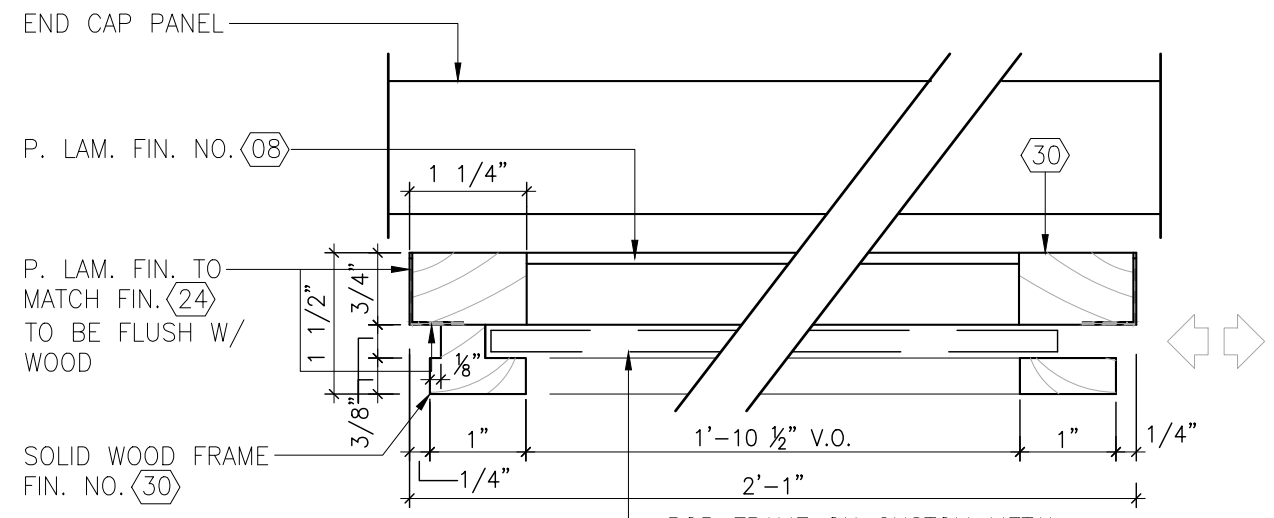
SLATWALL TYPE HARDWARE
SCREW FIXED TO BACK OF
P.O.P. FRAME SUPPLIED BY
MILLWORK CONTRACTOR

1/2" METAL SLATWALL
CHANNEL FIN. NO. 55

CUSTOM METAL
BRACKET FIN. NO. 55



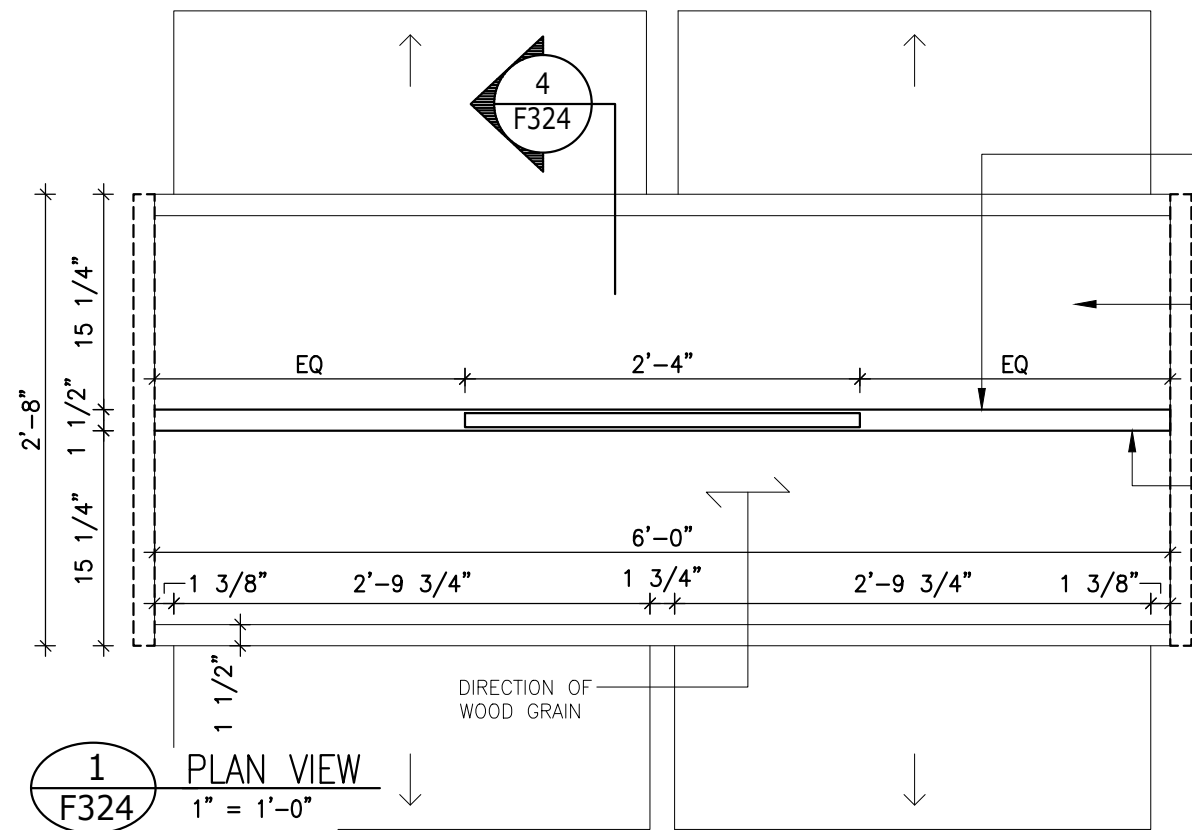
7 DETAIL
F323 6" = 1'-0"



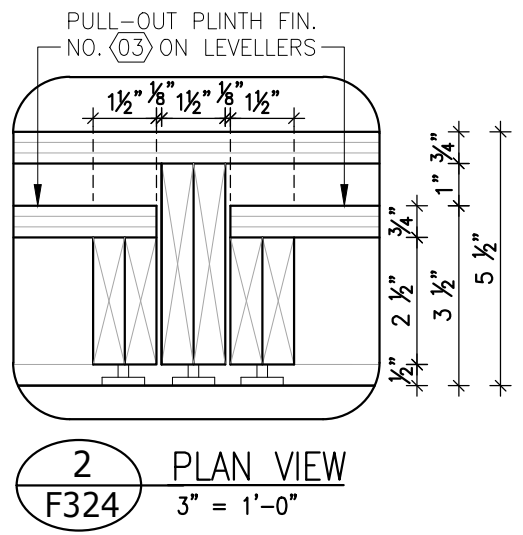
CHALKBOARD PAINT
STUDIO FINISHES 307
W/FRESHSTART 563 PRIMER
BY BENJAMIN MOORE
TEL:(905) 813-3700
NOTE: CHALKBOARD LINES TO BE CLEAR GLOSS @ 2" O.C.
MILLWORK CONTRACTOR TO SUBMIT SAMPLE FOR APPROVAL

8 PLAN SECTION - REMOVABLE P.O.P. FRAME
F323 6" = 1'-0"

LCBO	300 VINTAGES	REVISION DATE	REV.	3 of 3	ISSUE DATE	STORE TYPE	STORE #
	VINTAGES TROLLEY CART END DISPLAY UNIT w/ CHALKBOARD - 2'-8" WIDE	2017 NOV	15	F323	2021 APR		



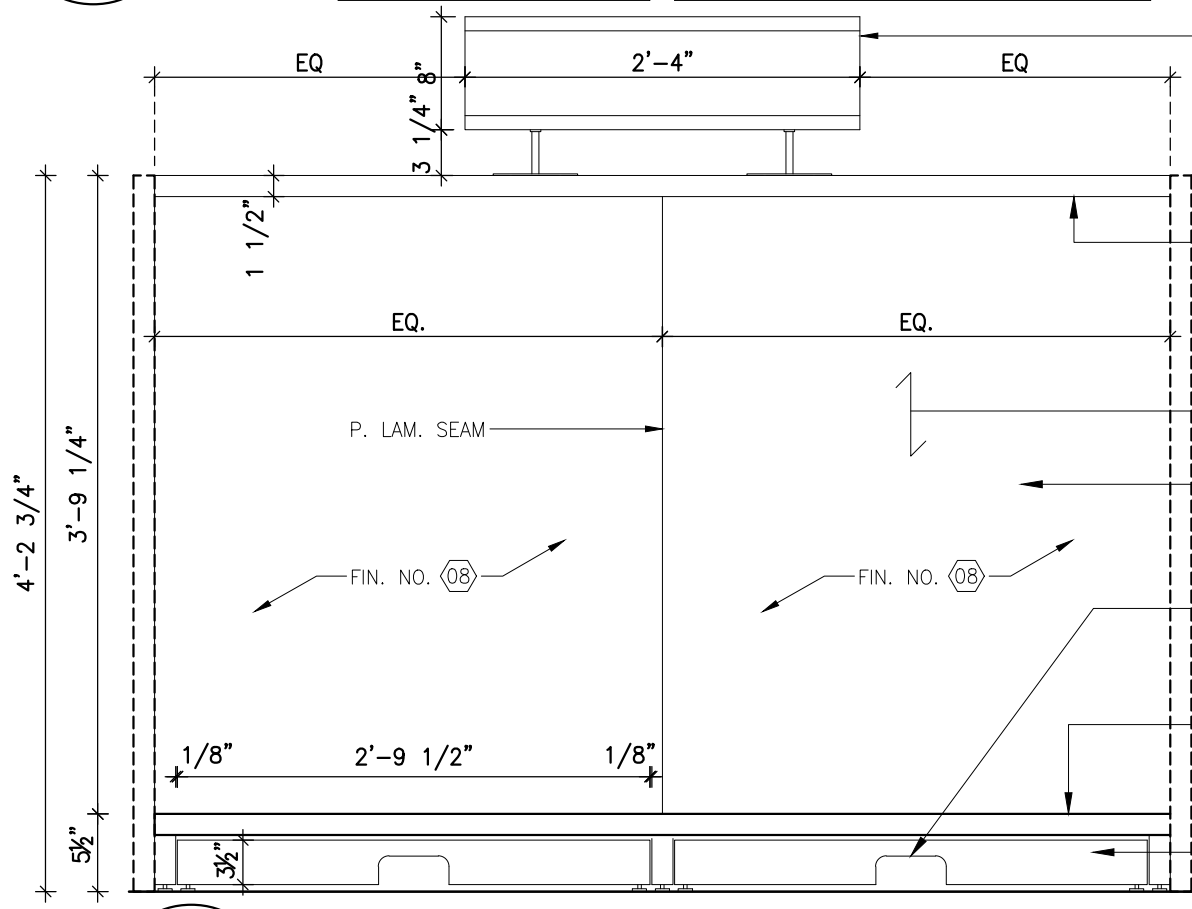
- 2 LAYERS 3/4" PLY FIN. NO. (08) W/ 1 1/2" x 1 1/2" SOLID WOOD EDGE FIN. NO. (30)
- 3/4" PLY BASE FIN. NO. (08) ON HEAVY DUTY ADJ. LEVELLERS W/ 1 1/2" x 1 1/2" SOLID WOOD EDGE FIN. NO. (30)
- 1 1/2" x 1 1/2" SOLID WOOD EDGE FIN. NO. (30)



NOTE:
ALL UNITS TO BE CONSTRUCTED OF BEECH SOLID WOOD FIN. NO. (30) & PLYWOOD WITH FIN. NO. (08) UNLESS OTHERWISE NOTED. SEE DWG. NO. F311 & F312 FOR PRODUCT RISERS.

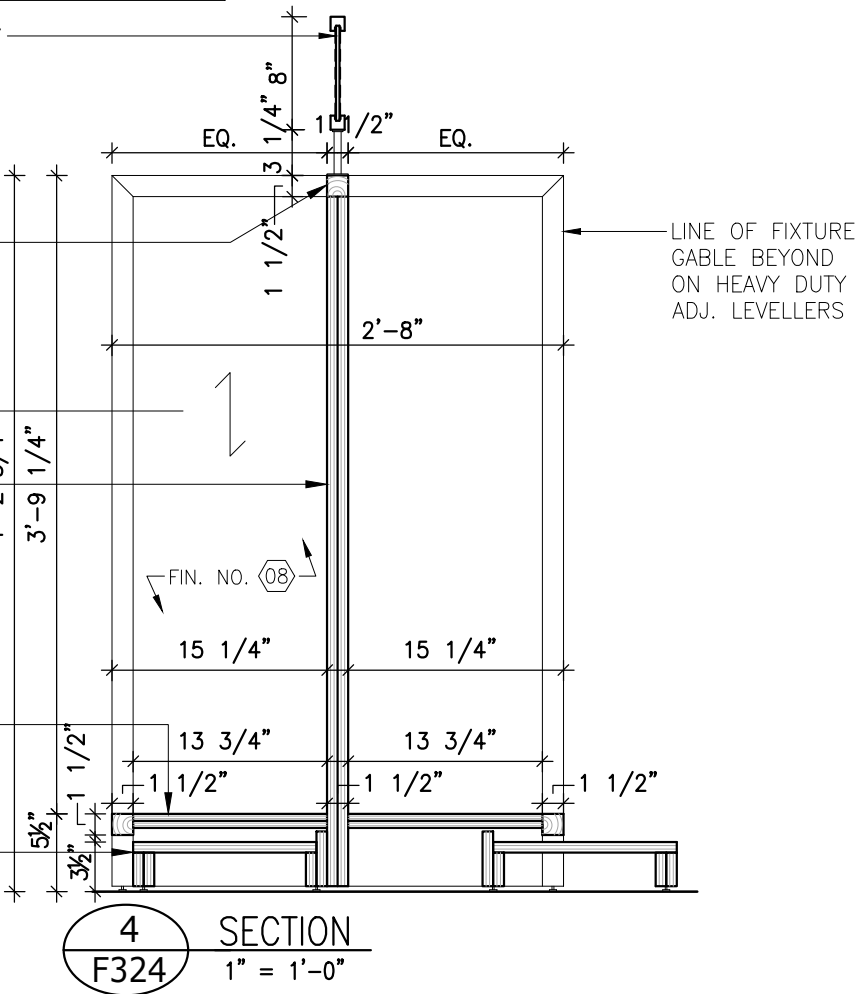
MILLWORK CONTRACTOR TO PROVIDE EXTERIOR FINISH - (1) COAT CLEAR URETHANE SEALER AND (2) COATS SATIN LACQUER TO FIN. NO. (30)

SEAMS IN P. LAM. TO BE POSITIONED AS PER DRAWING.

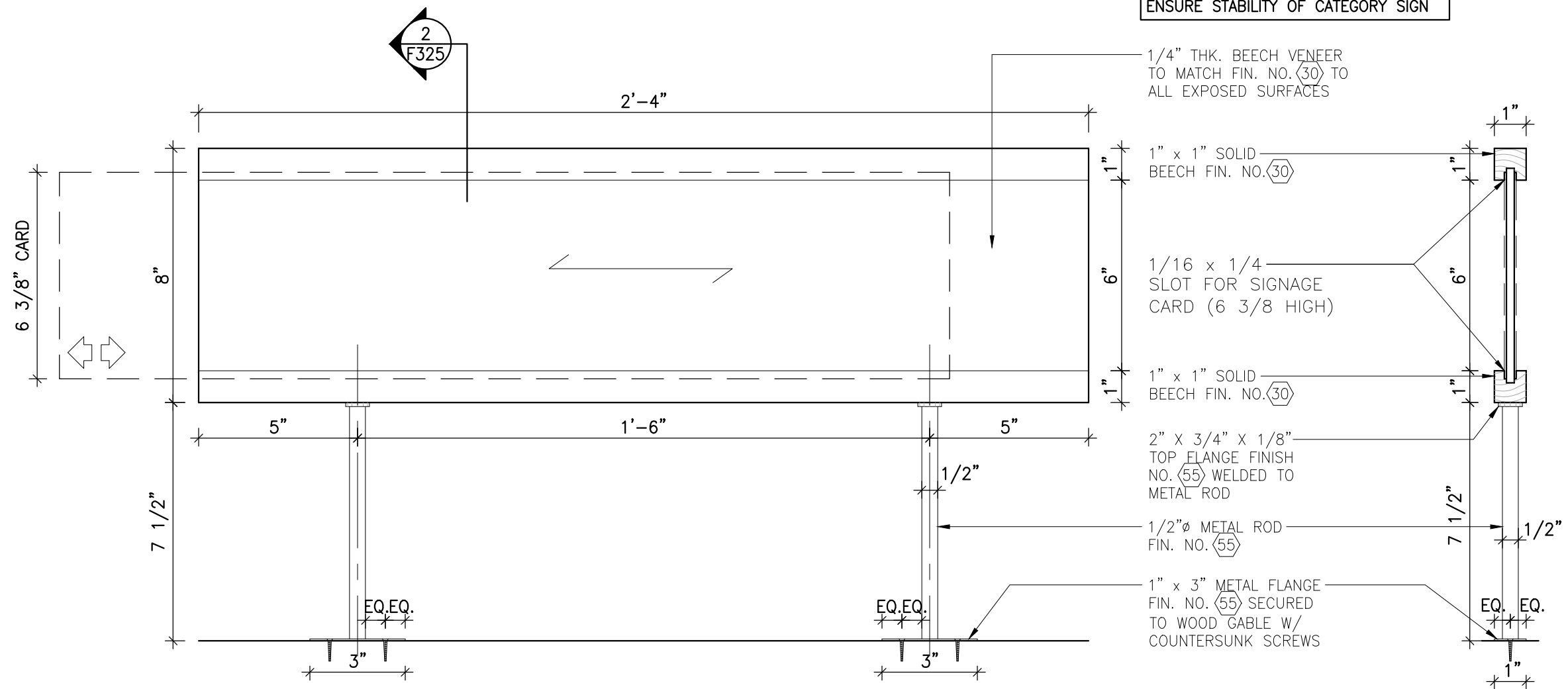


NOTE:
SOLID WOOD GRADE TO BE FAS

- 1 1/2" x 1 1/2" SOLID WOOD EDGE FIN. (30)
- DIRECTION OF WOOD GRAIN
- 2 LAYERS 3/4" PLY FIN. NO. (08) W/ 1 1/2" x 1 1/2" SOLID WOOD EDGE FIN. NO. (30)
- PROVIDE 2" x 5" HANDLING CUT-OUTS W/ 3/4" RADIUS TO INSIDE CORNERS
- 3/4" PLY BASE FIN. NO. (08) ON HEAVY DUTY ADJ. LEVELLERS W/ 1 1/2" x 1 1/2" SOLID WOOD EDGE FIN. NO. (30)
- PULL-OUT PLINTH FIN. NO. (04) ON LEVELLERS



LCBO	300 VINTAGES	REVISION DATE	REV.	1 of 1	ISSUE DATE	STORE TYPE	STORE #
	VINTAGES NEW RELEASE PLINTH - 2'-8" WIDE	2017 NOV	15	F324	2021 APR		



NOTE:
SOLID WOOD GRADE TO BE FAS

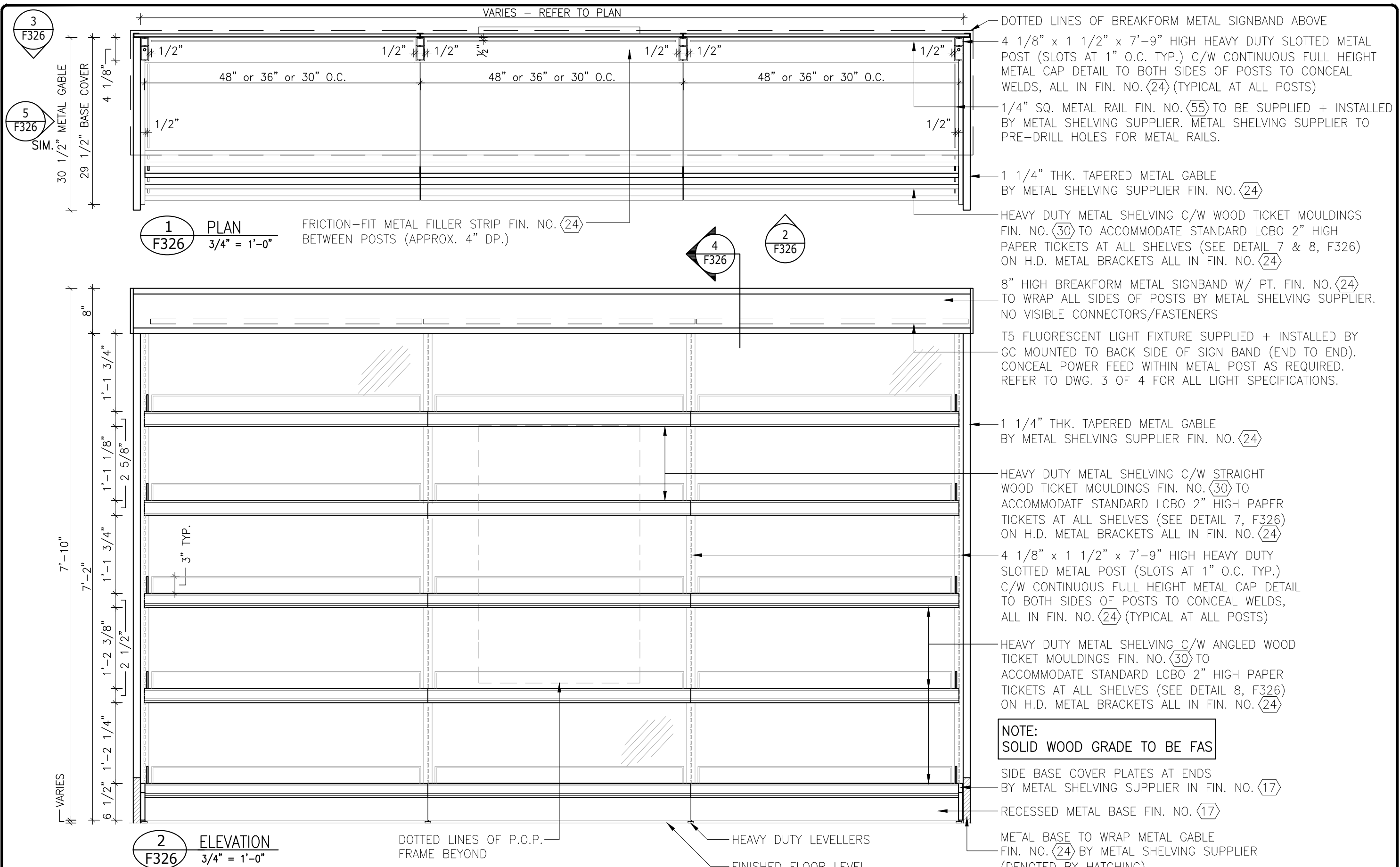
NOTE:
MILLWORK CONTRACTOR TO PROVIDE
CONCEALED BLOCKING AS REQUIRED TO
ENSURE STABILITY OF CATEGORY SIGN

1 ELEVATION
F325 3" = 1'-0"

2 ELEVATION / SECTION
F325 3" = 1'-0"

NOTE:
FOR VINTAGES RELEASE PLINTH WHEN
SHELVES ARE ADDED TO FIXTURE

LCBO	300 VINTAGES	REVISION DATE	REV.	1 of 1	ISSUE DATE	STORE TYPE	STORE #
	VINTAGES CATEGORY SIGN W/ EXTENDED STEMS	2017 NOV	15	F325	2021 APR		

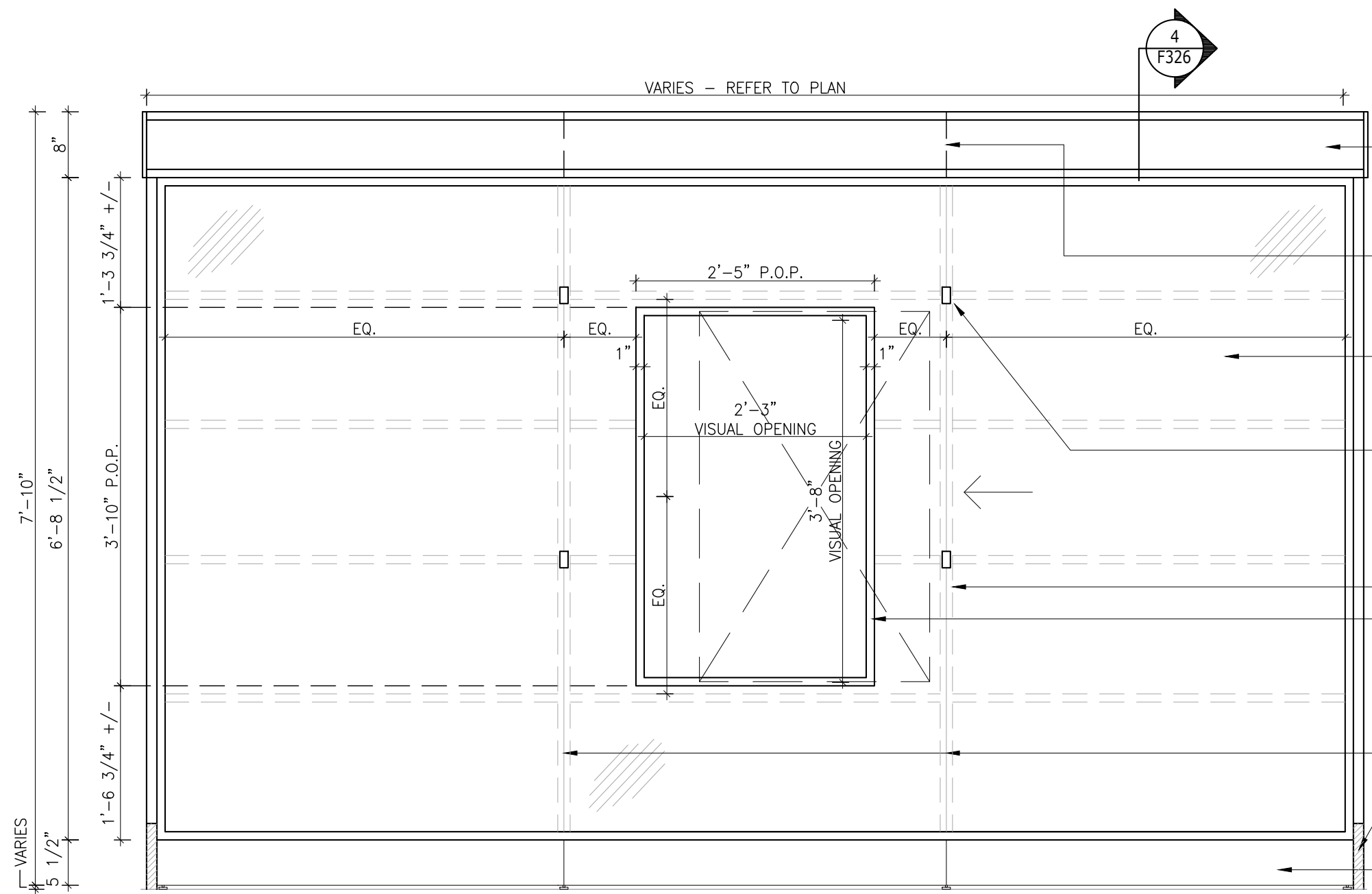


1 PLAN
F326 3/4" = 1'-0"

2 ELEVATION
F326 3/4" = 1'-0"

- 3 F326 METAL GABLE
- 5 F326 SIM. METAL GABLE
- 4 F326 METAL GABLE
- 2 F326 METAL GABLE
- 1 F326 METAL GABLE
- FRICITION-FIT METAL FILLER STRIP FIN. NO. (24) BETWEEN POSTS (APPROX. 4" DP.)
- DOTTED LINES OF BREAKFORM METAL SIGNBAND ABOVE
- 4 1/8" x 1 1/2" x 7'-9" HIGH HEAVY DUTY SLOTTED METAL POST (SLOTS AT 1" O.C. TYP.) C/W CONTINUOUS FULL HEIGHT METAL CAP DETAIL TO BOTH SIDES OF POSTS TO CONCEAL WELDS, ALL IN FIN. NO. (24) (TYPICAL AT ALL POSTS)
- 1/4" SQ. METAL RAIL FIN. NO. (55) TO BE SUPPLIED + INSTALLED BY METAL SHELVING SUPPLIER. METAL SHELVING SUPPLIER TO PRE-DRILL HOLES FOR METAL RAILS.
- 1 1/4" THK. TAPERED METAL GABLE BY METAL SHELVING SUPPLIER FIN. NO. (24)
- HEAVY DUTY METAL SHELVING C/W WOOD TICKET MOULDINGS FIN. NO. (30) TO ACCOMMODATE STANDARD LCBO 2" HIGH PAPER TICKETS AT ALL SHELVES (SEE DETAIL 7 & 8, F326) ON H.D. METAL BRACKETS ALL IN FIN. NO. (24)
- 8" HIGH BREAKFORM METAL SIGNBAND W/ PT. FIN. NO. (24) TO WRAP ALL SIDES OF POSTS BY METAL SHELVING SUPPLIER. NO VISIBLE CONNECTORS/FASTENERS
- T5 FLUORESCENT LIGHT FIXTURE SUPPLIED + INSTALLED BY GC MOUNTED TO BACK SIDE OF SIGN BAND (END TO END). CONCEAL POWER FEED WITHIN METAL POST AS REQUIRED. REFER TO DWG. 3 OF 4 FOR ALL LIGHT SPECIFICATIONS.
- 1 1/4" THK. TAPERED METAL GABLE BY METAL SHELVING SUPPLIER FIN. NO. (24)
- HEAVY DUTY METAL SHELVING C/W STRAIGHT WOOD TICKET MOULDINGS FIN. NO. (30) TO ACCOMMODATE STANDARD LCBO 2" HIGH PAPER TICKETS AT ALL SHELVES (SEE DETAIL 7, F326) ON H.D. METAL BRACKETS ALL IN FIN. NO. (24)
- 4 1/8" x 1 1/2" x 7'-9" HIGH HEAVY DUTY SLOTTED METAL POST (SLOTS AT 1" O.C. TYP.) C/W CONTINUOUS FULL HEIGHT METAL CAP DETAIL TO BOTH SIDES OF POSTS TO CONCEAL WELDS, ALL IN FIN. NO. (24) (TYPICAL AT ALL POSTS)
- HEAVY DUTY METAL SHELVING C/W ANGLED WOOD TICKET MOULDINGS FIN. NO. (30) TO ACCOMMODATE STANDARD LCBO 2" HIGH PAPER TICKETS AT ALL SHELVES (SEE DETAIL 8, F326) ON H.D. METAL BRACKETS ALL IN FIN. NO. (24)
- NOTE:**
SOLID WOOD GRADE TO BE FAS
- SIDE BASE COVER PLATES AT ENDS BY METAL SHELVING SUPPLIER IN FIN. NO. (17)
- RECESSED METAL BASE FIN. NO. (17)
- METAL BASE TO WRAP METAL GABLE FIN. NO. (24) BY METAL SHELVING SUPPLIER (DENOTED BY HATCHING)
- HEAVY DUTY LEVELLERS
- FINISHED FLOOR LEVEL
- DOTTED LINES OF P.O.P. FRAME BEYOND

LCBO	300 VINTAGES	REVISION DATE	REV.	1 of 4	ISSUE DATE	STORE TYPE	STORE #
	VINTAGES DOUBLE-SIDED GIFT/SPIRITS FIXTURE WITH U.V. PETG PANEL & GRAPHIC	2017 NOV	15	F326	2021 APR		



NOTE:
SOLID WOOD GRADE TO BE FAS

8" H. BREAKFORM METAL SIGNBAND WITH PT. FIN. NO. (24)
TO WRAP ALL SIDES OF POSTS BY METAL SHELVING SUPPLIER.
NO VISIBLE CONNECTORS/ FASTENERS

METAL SHELVING SUPPLIER TO ALIGN SEAM
LOCATIONS IN BREAKFORM METAL SIGNBAND
W/ METAL SHELVING POSTS AS REQ'D.

.220" NOMINAL CLEAR PETG CENTER CORE W/ .006" 5
YEAR DADE UV FILM FUSED ON BOTH SIDES, FINE SUEDE
IN 1" x 3/8" METAL FRAME FIN. NO. (55) (ALL SIDES)

SATIN STAINLESS METAL CLIPS FIN. NO (55) TO SECURE
ADJACENT PLEXI PANELS. PLEXI SEAMS TO MEET O.C. OF
METAL POSTS BEYOND, CLIPS TO ALIGN WITH SHELVING
BEYOND. (SEE ATTACHED CUT SHEET SIM.)

DOTTED LINES OF 1 1/2" METAL POST BEYOND (TYP.)

HOLES TO BE PRE-DRILLED IN PLEXI PANEL TO
RECEIVE P.O.P. FRAME FIN. NO. (24). FRAME TO BE
ACCESSIBLE FROM SIDE (NOT FLIP FRAME)

1/8" THK. STYRENE POSTER 28" WIDE X 45" HIGH

SEAM LINE

METAL BASE TO WRAP METAL GABLE FIN. (24)
BY METAL SHELVING SUPPLIER (DENOTED BY HATCHING)

SIDE BASE COVER PLATES AT ENDS
BY METAL SHELVING SUPPLIER IN FIN. NO. (17)
RECESSED BACK FROM METAL GABLE

NOTE:
METAL SHELVING SUPPLIER TO
SUGGEST BEST METHOD OF FASTENING
OF P.O.P. FRAME TO ACRYLIC

3 ELEVATION
F326 3/4" = 1'-0"

LCBO	300 VINTAGES	REVISION DATE	REV.	2 of 4	ISSUE DATE	STORE TYPE	STORE #
	VINTAGES DOUBLE-SIDED GIFT/SPIRITS FIXTURE WITH U.V. PETG PANEL & GRAPHIC	2017 NOV	15	F326	2021 APR		

CUT-OUT IN METAL POST FOR CONCEALED POWER FEED

8" HIGH BREAKFORM METAL SIGNBAND W/ PT. FIN. NO. (24)
TO WRAP ALL SIDES OF POSTS BY METAL SHELVING SUPPLIER.
NO VISIBLE CONNECTORS/FASTENERS

T5 FLUORESCENT LIGHT FIXTURE SUPPLIED +
INSTALLED BY GC MOUNTED TO BACK SIDE OF SIGN
BAND (END TO END). CONCEAL POWER FEED WITHIN
METAL POST AS REQUIRED. REFER TO DWG. 3 OF 4
FOR ALL LIGHT SPECIFICATIONS.

1 1/4" THK. TAPERED METAL GABLE
BY METAL SHELVING SUPPLIER FIN. NO. (24)

FRICTION-FIT METAL FILLER STRIP FIN. NO. (24)
BETWEEN POSTS (APPROXIMATELY 4" DP.) AT
ALL SHELVES AND BASE

HEAVY DUTY METAL SHELVING C/W STRAIGHT WOOD
TICKET MOULDINGS FIN. NO. (30) TO ACCOMMODATE
STANDARD LCBO 2" HIGH PAPER TICKETS AT ALL
SHELVES (SEE DETAIL 7, F326) ON H.D. METAL
BRACKETS ALL IN FIN. NO. (24)

4 1/8" x 1 1/2" x 7'-9" HIGH HEAVY DUTY
SLOTTED METAL POST (SLOTS AT 1" O.C. TYP.)
C/W CONTINUOUS FULL HEIGHT METAL CAP DETAIL
TO BOTH SIDES OF POSTS TO CONCEAL WELDS,
ALL IN FIN. NO. (24) (TYPICAL AT ALL POSTS)

HEAVY DUTY METAL SHELVING C/W ANGLED WOOD
TICKET MOULDINGS FIN. NO. (30) TO ACCOMMODATE
STANDARD LCBO 2" HIGH PAPER TICKETS AT ALL
SHELVES (SEE DETAIL 8, F326) ON H.D. METAL
BRACKETS ALL IN FIN. NO. (24)

SIDE BASE COVER PLATES AT ENDS
BY METAL SHELVING SUPPLIER IN FIN. NO. (17)

RECESSED METAL BASE FIN. NO. (17)

METAL BASE TO WRAP METAL GABLE FIN. (24)
BY METAL SHELVING SUPPLIER (DENOTED BY HATCHING)

4 SECTION
F326 3/4" = 1'-0"

3" HIGH METAL RAILS (FOR SHELVES)

SHELF LENGTH	HOLE SPACING
36"	32" O.C.
48"	44" O.C.

SHELF DEPTH	HOLE SPACING
16"	14" O.C.
18"	16" O.C.
20"	18" O.C.
22"	20" O.C.
24"	22" O.C.

5
F326

NOTE:
SOLID WOOD GRADE TO BE FAS

SHELVING SUPPLIER TO INSTALL METAL TOP CAP TO
POSTS FOR ANCHORING OF BREAKFORM METAL CANOPY

8" H. BREAKFORM METAL SIGNBAND WITH PT. FIN. NO. (24)
TO WRAP ALL SIDES OF POSTS BY METAL SHELVING
SUPPLIER. NO VISIBLE CONNECTORS/ FASTENERS

HEAVY DUTY METAL SHELVING C/W STRAIGHT WOOD
TICKET MOULDINGS FIN. NO. (30) TO ACCOMMODATE
STANDARD LCBO 2" HIGH PAPER TICKETS AT ALL
SHELVES (SEE DETAIL 7, F326) ON H.D. METAL
BRACKETS ALL IN FIN. NO. (24)

HOLES TO BE PRE-DRILLED IN PLEXI PANEL TO
RECEIVE P.O.P. FRAME FIN. NO. (24). FRAME TO BE
ACCESSIBLE FROM SIDE (NOT FLIP FRAME)

HEAVY DUTY METAL SHELVING C/W ANGLED WOOD
TICKET MOULDINGS FIN. NO. (30) TO ACCOMMODATE
STANDARD LCBO 2" HIGH PAPER TICKETS AT ALL
SHELVES (SEE DETAIL 8, F326) ON H.D. METAL
BRACKETS ALL IN FIN. NO. (24)

1 1/4" THK. TAPERED METAL GABLE
BY METAL SHELVING SUPPLIER FIN. NO. (24)

.220" NOMINAL CLEAR PETG CENTER CORE W/ .006" 5
YEAR DADE UV FILM FUSED ON BOTH SIDES, FINE SUEDE
IN 1" x 3/8" METAL FRAME FIN. NO. (55)(ALL SIDES)

METAL BASE TO WRAP METAL GABLE
FIN. (24) BY METAL SHELVING SUPPLIER
(DENOTED BY HATCHING)

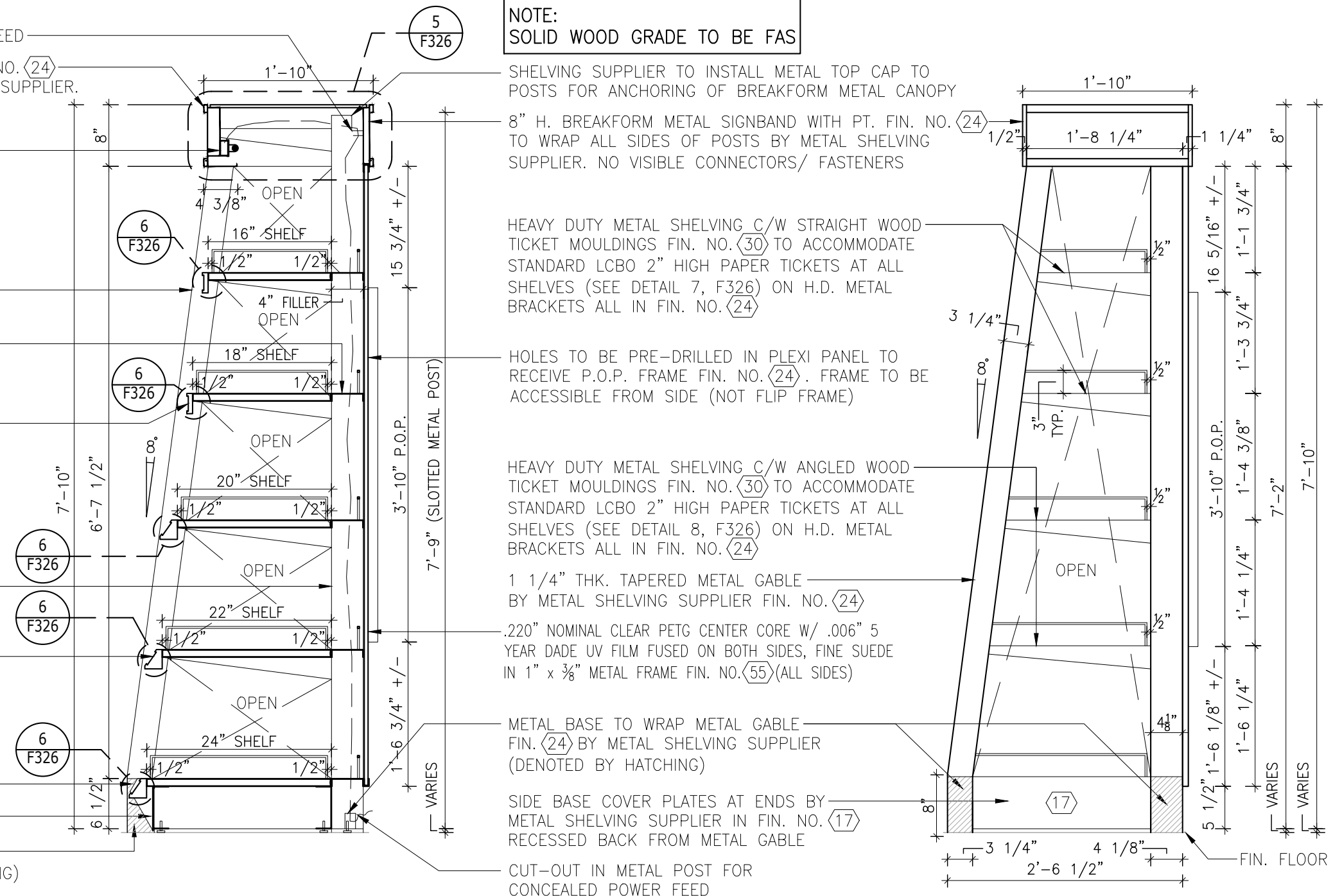
SIDE BASE COVER PLATES AT ENDS BY
METAL SHELVING SUPPLIER IN FIN. NO. (17)
RECESSED BACK FROM METAL GABLE

CUT-OUT IN METAL POST FOR
CONCEALED POWER FEED

5 ELEVATION
F326 3/4" = 1'-0"

NOTE:

ALL LIGHTING TO BE SUPPLIED + INSTALLED BY GC. COORDINATE CUT-OUT OPENING WITH METAL SHELVING
SUPPLIER AS REQUIRED. ENSURE ALL WIRING IS CONCEALED FROM CUSTOMERS VIEW. GC TO COORDINATE WITH
SUPPLIER TO ENSURE TIMELY DELIVERY OF LIGHTS TO SUIT THE CONSTRUCTION SCHEDULE.



LCBO	300 VINTAGES	REVISION DATE	REV.	3 of 4	ISSUE DATE	STORE TYPE	STORE #
	VINTAGES DOUBLE-SIDED GIFT/SPIRITS FIXTURE WITH U.V. PETG PANEL & GRAPHIC	2017 NOV	15	F326	2021 APR		

NOTE:
SOLID WOOD GRADE TO BE FAS

NOTE:
ALL COMPONENTS SUPPLIED BY METAL SHELVING SUPPLIER INCLUDING TOP SIGNAGE CANOPY.

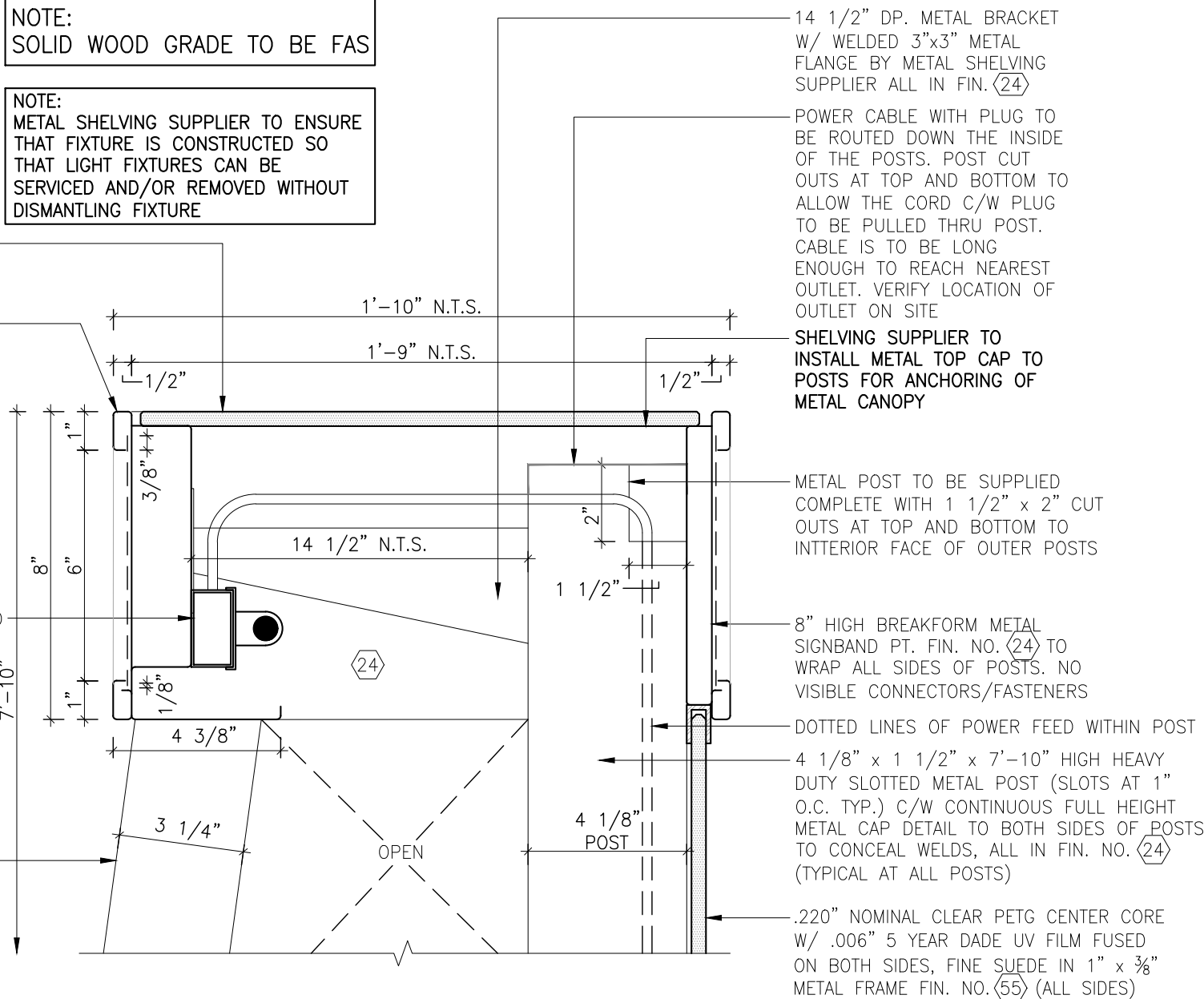
NOTE:
METAL SHELVING SUPPLIER TO ENSURE THAT FIXTURE IS CONSTRUCTED SO THAT LIGHT FIXTURES CAN BE SERVICED AND/OR REMOVED WITHOUT DISMANTLING FIXTURE

3/8" THK. FROSTED PLEXI-GLASS INSERTS ON RUBBER CUSHIONS

8" HIGH BREAKFORM METAL SIGNBAND PT. FIN. NO. (24) TO WRAP ALL SIDES OF POSTS. NO VISIBLE CONNECTORS/FASTENERS

T5 FLUORESCENT LIGHT FIXTURE SUPPLIED + INSTALLED BY GC MOUNTED TO BACK SIDE OF SIGN BAND (END TO END). CONCEAL POWER FEED WITHIN METAL POST AS REQUIRED

1 1/4" x 3 1/4" TAPERED METAL POST BY METAL SHELVING SUPPLIER PT. FIN. NO. (24)



14 1/2" DP. METAL BRACKET W/ WELDED 3"x3" METAL FLANGE BY METAL SHELVING SUPPLIER ALL IN FIN. (24)

POWER CABLE WITH PLUG TO BE ROUTED DOWN THE INSIDE OF THE POSTS. POST CUT OUTS AT TOP AND BOTTOM TO ALLOW THE CORD C/W PLUG TO BE PULLED THRU POST. CABLE IS TO BE LONG ENOUGH TO REACH NEAREST OUTLET. VERIFY LOCATION OF OUTLET ON SITE

SHELVING SUPPLIER TO INSTALL METAL TOP CAP TO POSTS FOR ANCHORING OF METAL CANOPY

METAL POST TO BE SUPPLIED COMPLETE WITH 1 1/2" x 2" CUT OUTS AT TOP AND BOTTOM TO INTERIOR FACE OF OUTER POSTS

8" HIGH BREAKFORM METAL SIGNBAND PT. FIN. NO. (24) TO WRAP ALL SIDES OF POSTS. NO VISIBLE CONNECTORS/FASTENERS

DOTTED LINES OF POWER FEED WITHIN POST

4 1/8" x 1 1/2" x 7'-10" HIGH HEAVY DUTY SLOTTED METAL POST (SLOTS AT 1" O.C. TYP.) C/W CONTINUOUS FULL HEIGHT METAL CAP DETAIL TO BOTH SIDES OF POSTS TO CONCEAL WELDS, ALL IN FIN. NO. (24) (TYPICAL AT ALL POSTS)

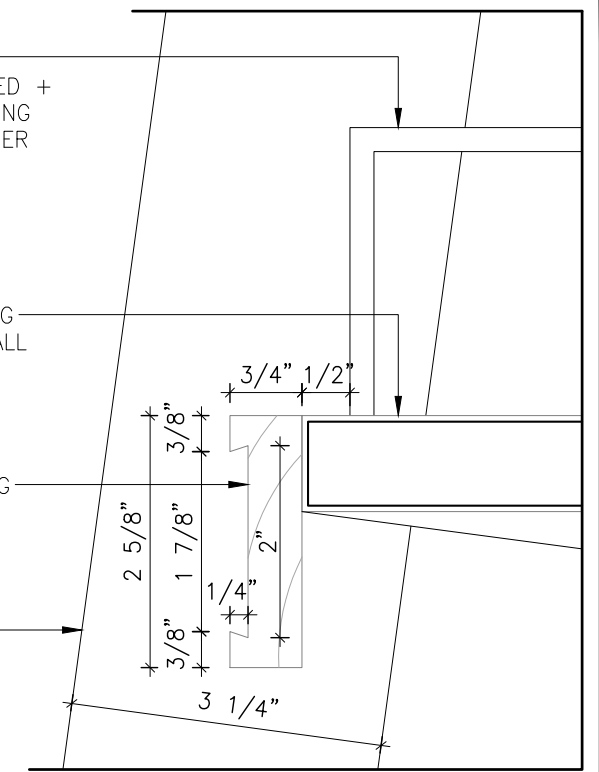
.220" NOMINAL CLEAR PETG CENTER CORE W/ .006" 5 YEAR DADE UV FILM FUSED ON BOTH SIDES, FINE SUEDE IN 1" x 3/8" METAL FRAME FIN. NO. (55) (ALL SIDES)

1/4" SQ. METAL RAIL FIN. NO. (55) TO BE SUPPLIED + INSTALLED BY METAL SHELVING SUPPLIER. SHELVING SUPPLIER TO PRE-DRILL HOLES FOR METAL RAILS.

HEAVY DUTY METAL SHELVING ON H.D. METAL BRACKETS ALL IN FIN. NO. (24)

HARDWOOD TICKET MOULDING (STRAIGHT) FIN. NO. (30)

1 1/4" x 3 1/4" TAPERED METAL POST BY METAL SHELVING SUPPLIER PT. FIN. NO. (24)



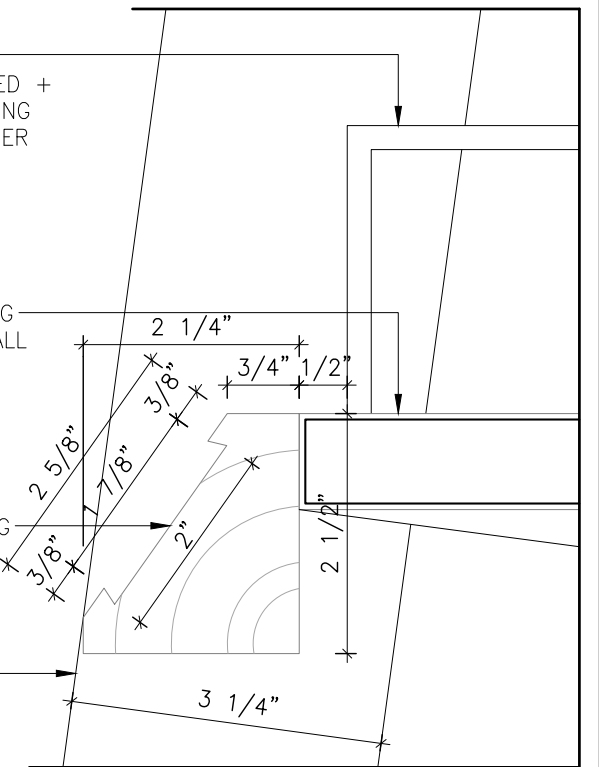
6 DETAIL
F326 6" = 1'-0"

1/4" SQ. METAL RAIL FIN. NO. (55) TO BE SUPPLIED + INSTALLED BY METAL SHELVING SUPPLIER. SHELVING SUPPLIER TO PRE-DRILL HOLES FOR METAL RAILS.

HEAVY DUTY METAL SHELVING ON H.D. METAL BRACKETS ALL IN FIN. NO. (24)

HARDWOOD TICKET MOULDING (ANGLED) FIN. NO. (30)

1 1/4" x 3 1/4" TAPERED METAL POST BY METAL SHELVING SUPPLIER PT. FIN. NO. (24)

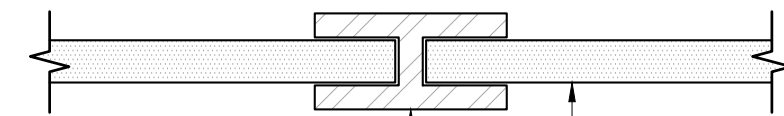


7 DETAIL
F326 6" = 1'-0"

5 DETAIL
F326 3" = 1'-0"

GENERAL NOTES

- DIMENSIONS SHOWN REFLECT SHELF & BASE DIMENSIONS ONLY & DO NOT TAKE METAL TICKET HOLDERS INTO ACCOUNT
- ALL ADJUSTMENTS TO COMPENSATE FOR NON-LEVEL FLOOR SURFACES TO BE MADE AT BOTTOM END OF POST
- METAL SHELVING SUPPLIER TO OBTAIN SIGNAGE SAMPLE FROM LCBO PRIOR TO FABRICATION TO ENSURE PROPER FIT OF SIGNAGE INSERT
- METAL SHELVING SUPPLIER TO OBTAIN 1" HIGH PAPER TICKET SAMPLE FROM LCBO PRIOR TO FABRICATION TO ENSURE PROPER FIT WITHIN TICKET MOULDING. SUBMIT SAMPLE FOR APPROVAL
- ENSURE ALL SHELVES ARE IN EXACT ALIGNMENT AND ARE TRUE & LEVEL. PERFORATED SHELVES ARE NOT ACCEPTABLE. SHELVES TO SUPPORT LOAD CAPACITY OF 500LBS
- ALL METAL SHELVING COMPONENTS TO BE SUPPLIED TO GC FOR FINAL ASSEMBLY ON-SITE (TO BE COORDINATED BY GC)

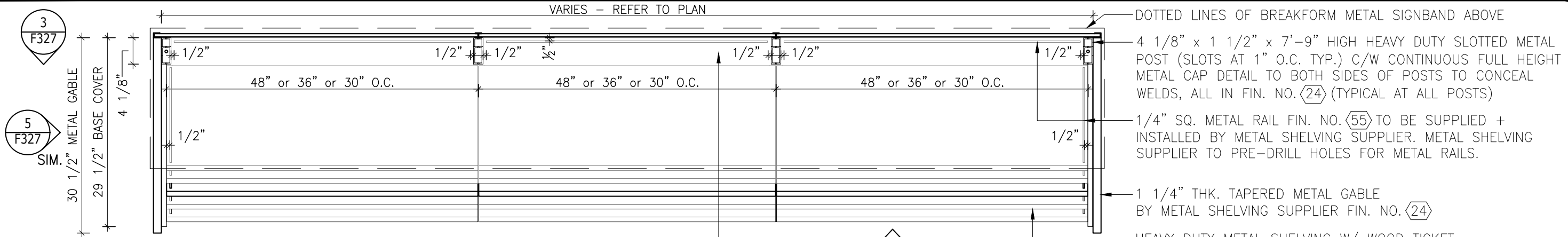


SATIN STAINLESS METAL CLIPS FIN. NO. (55) TO SECURE ADJACENT PLEXI PANELS. PLEXI SEAMS TO MEET O.C. OF METAL POSTS BEYOND, CLIPS TO ALIGN WITH SHELVING BEYOND.

.220" NOMINAL CLEAR PETG CENTER CORE W/ .006" 5 YEAR DADE UV FILM FUSED ON BOTH SIDES, FINE SUEDE IN 1" x 3/8" METAL FRAME FIN. NO. (55) (ALL SIDES)

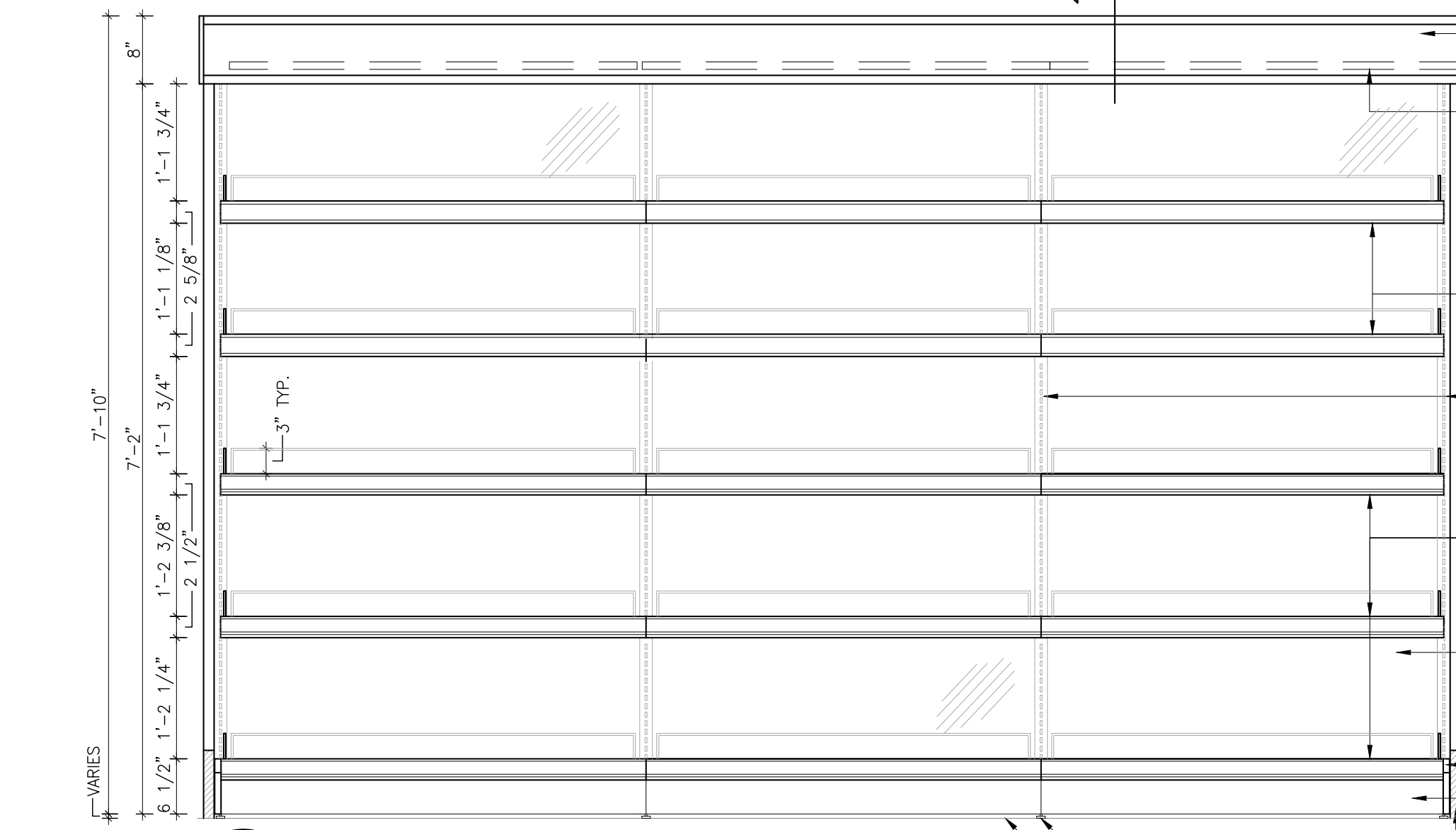
8 GLAZING CLIP DETAIL
F326 FULL SCALE

LCBO	300 VINTAGES	REVISION DATE	REV.	4 of 4	ISSUE DATE	STORE TYPE	STORE #
	VINTAGES DOUBLE-SIDED GIFT/SPIRITS FIXTURE WITH U.V. PETG PANEL & GRAPHIC	2017 NOV	15	F326	2021 APR		



1 PLAN
F327 3/4" = 1'-0"

FRICITION-FIT METAL FILLER STRIP FIN. NO. 24 BETWEEN POSTS (APPROX. 4" DP.)

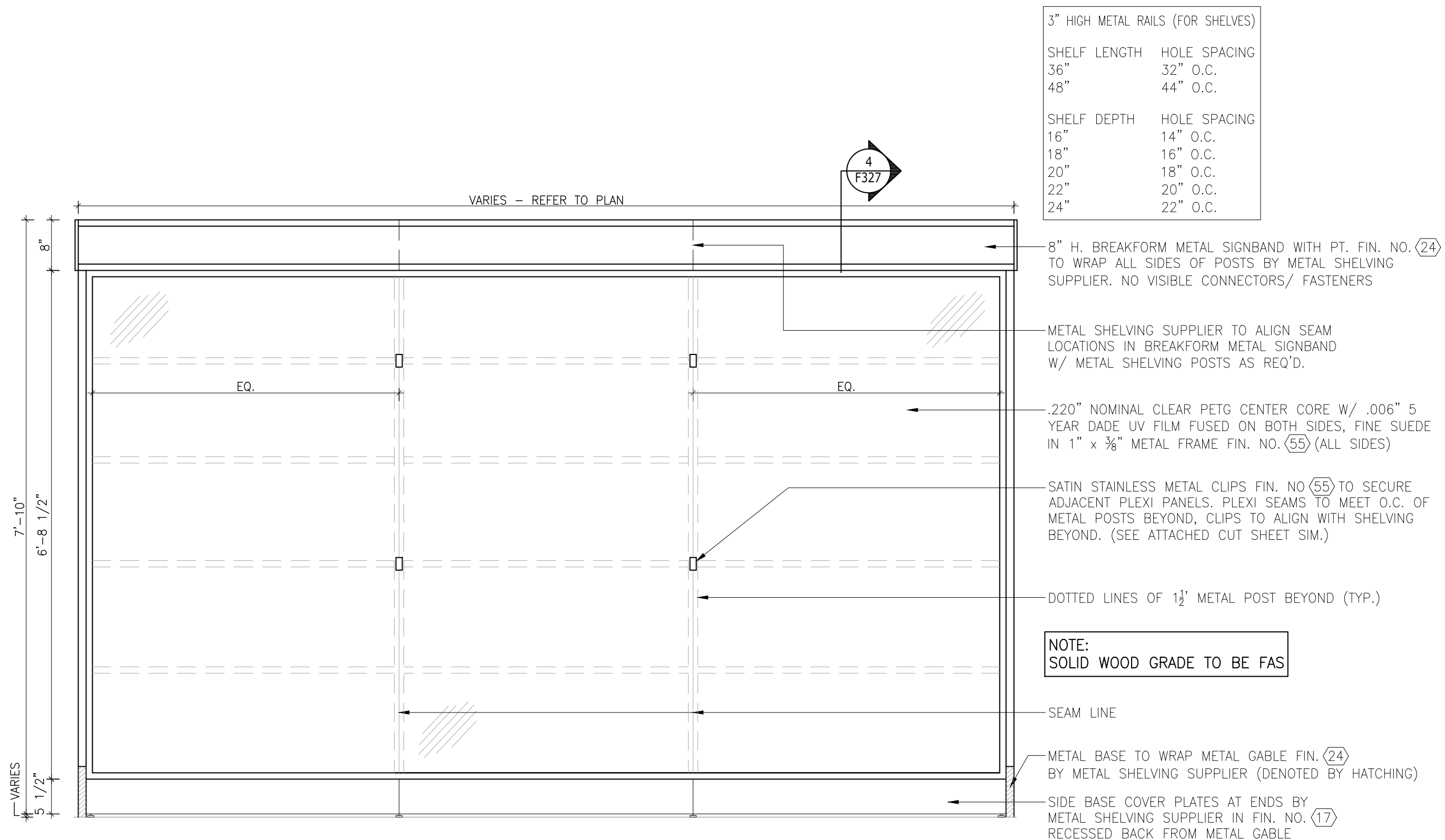


2 ELEVATION
F327 3/4" = 1'-0"

NOTE:
SOLID WOOD GRADE TO BE FAS

- DOTTED LINES OF BREAKFORM METAL SIGNBAND ABOVE
- 4 1/8" x 1 1/2" x 7'-9" HIGH HEAVY DUTY SLOTTED METAL POST (SLOTS AT 1" O.C. TYP.) C/W CONTINUOUS FULL HEIGHT METAL CAP DETAIL TO BOTH SIDES OF POSTS TO CONCEAL WELDS, ALL IN FIN. NO. 24 (TYPICAL AT ALL POSTS)
- 1/4" SQ. METAL RAIL FIN. NO. 55 TO BE SUPPLIED + INSTALLED BY METAL SHELVING SUPPLIER. METAL SHELVING SUPPLIER TO PRE-DRILL HOLES FOR METAL RAILS.
- 1 1/4" THK. TAPERED METAL GABLE BY METAL SHELVING SUPPLIER FIN. NO. 24
- HEAVY DUTY METAL SHELVING W/ WOOD TICKET MOULDINGS FIN. NO. 30 TO ACCOMMODATE STANDARD LCBO 2" HIGH PAPER TICKETS (SEE DETAIL 7 & 8, F327) ON H.D. METAL BRACKETS ALL IN FIN. NO. 24
- 8" HIGH BREAKFORM METAL SIGNBAND W/ PT. FIN. NO. 24 TO WRAP ALL SIDES OF POSTS BY METAL SHELVING SUPPLIER. NO VISIBLE CONNECTORS/FASTENERS
- T5 FLUORESCENT LIGHT FIXTURE SUPPLIED + INSTALLED BY GC MOUNTED TO BACK SIDE OF SIGN BAND (END TO END). CONCEAL POWER FEED WITHIN METAL POST AS REQUIRED. REFER TO DWG. 3 OF 4 FOR ALL LIGHT SPECIFICATIONS.
- 1 1/4" THK. TAPERED METAL GABLE BY METAL SHELVING SUPPLIER FIN. NO. 24
- HEAVY DUTY METAL SHELVING W/ STRAIGHT WOOD TICKET MOULDINGS TO ACCOMMODATE STANDARD LCBO 2" HIGH PAPER TICKETS (SEE DETAIL 7, F327) ON H.D. METAL BRACKETS ALL IN FIN. NO. 24
- 4 1/8" x 1 1/2" x 7'-9" HIGH HEAVY DUTY SLOTTED METAL POST (SLOTS AT 1" O.C. TYP.) C/W CONTINUOUS FULL HEIGHT METAL CAP DETAIL TO BOTH SIDES OF POSTS TO CONCEAL WELDS, ALL IN FIN. NO. 24 (TYPICAL AT ALL POSTS)
- HEAVY DUTY METAL SHELVING W/ ANGLED WOOD TICKET MOULDINGS FIN. NO. 30 TO ACCOMMODATE STANDARD LCBO 2" HIGH PAPER TICKETS (SEE DETAIL 8, F327) ON H.D. METAL BRACKETS ALL IN FIN. NO. 24
- .220" NOMINAL CLEAR PETG CENTER CORE W/ .006" 5 YEAR DADE UV FILM FUSED ON BOTH SIDES, FINE SUEDE IN 1" x 3/8" METAL FRAME FIN. NO. 55 (ALL SIDES)
- SIDE BASE COVER PLATES AT ENDS BY METAL SHELVING SUPPLIER IN FIN. NO. 17
- RECESSED METAL BASE FIN. NO. 17
- METAL BASE TO WRAP METAL GABLE FIN. NO. 24 BY METAL SHELVING SUPPLIER (DENOTED BY HATCHING)
- HEAVY DUTY LEVELLERS
- FINISHED FLOOR LEVEL

LCBO	300 VINTAGES	REVISION DATE	REV.	1 of 4	ISSUE DATE	STORE TYPE	STORE #
	VINTAGES DOUBLE-SIDED GIFT/SPIRITS FIXTURE WITH U.V. PETG PANEL	2021 MAR	17	F327	2021 APR		



3" HIGH METAL RAILS (FOR SHELVES)	
SHELF LENGTH	HOLE SPACING
36"	32" O.C.
48"	44" O.C.
SHELF DEPTH	HOLE SPACING
16"	14" O.C.
18"	16" O.C.
20"	18" O.C.
22"	20" O.C.
24"	22" O.C.

3
F327 ELEVATION
3/4" = 1'-0"

NOTE:
SOLID WOOD GRADE TO BE FAS

LCBO	300 VINTAGES	REVISION DATE	REV.	2 of 4	ISSUE DATE	STORE TYPE	STORE #
	VINTAGES DOUBLE-SIDED GIFT/SPIRITS FIXTURE WITH U.V. PETG PANEL	2021 MAR	17	F327	2021 APR		

CUT-OUT IN METAL POST FOR CONCEALED POWER FEED

8" HIGH BREAKFORM METAL SIGNBAND W/ PT. FIN. NO. (24)
TO WRAP ALL SIDES OF POSTS BY METAL SHELIVING
SUPPLIER. NO VISIBLE CONNECTORS/FASTENERS

T5 FLUORESCENT LIGHT FIXTURE SUPPLIED +
INSTALLED BY GC MOUNTED TO BACK SIDE OF SIGN
BAND (END TO END). CONCEAL POWER FEED WITHIN
METAL POST AS REQUIRED. REFER TO DWG. 3 OF 4
FOR ALL LIGHT SPECIFICATIONS.

1 1/4" THK. TAPERED METAL GABLE
BY METAL SHELIVING SUPPLIER FIN. NO. (24)

FRICITION-FIT METAL FILLER STRIP FIN. NO. (24)
BETWEEN POSTS (APPROXIMATELY 4" DP.) AT
ALL SHELVES AND BASE

HEAVY DUTY METAL SHELIVING C/W STRAIGHT WOOD
TICKET MOULDINGS FIN. NO. (30) TO ACCOMMODATE
STANDARD LCBO 2" HIGH PAPER TICKETS AT ALL
SHELVES (SEE DETAIL 7, F327) ON H.D. METAL
BRACKETS ALL IN FIN. NO. (24)

4 1/8" x 1 1/2" x 7'-9" HIGH HEAVY DUTY
SLOTTED METAL POST (SLOTS AT 1" O.C. TYP.)
C/W CONTINUOUS FULL HEIGHT METAL CAP
TO BOTH SIDES OF POSTS TO CONCEAL WELDS,
ALL IN FIN. NO. (24) (TYPICAL AT ALL POSTS)

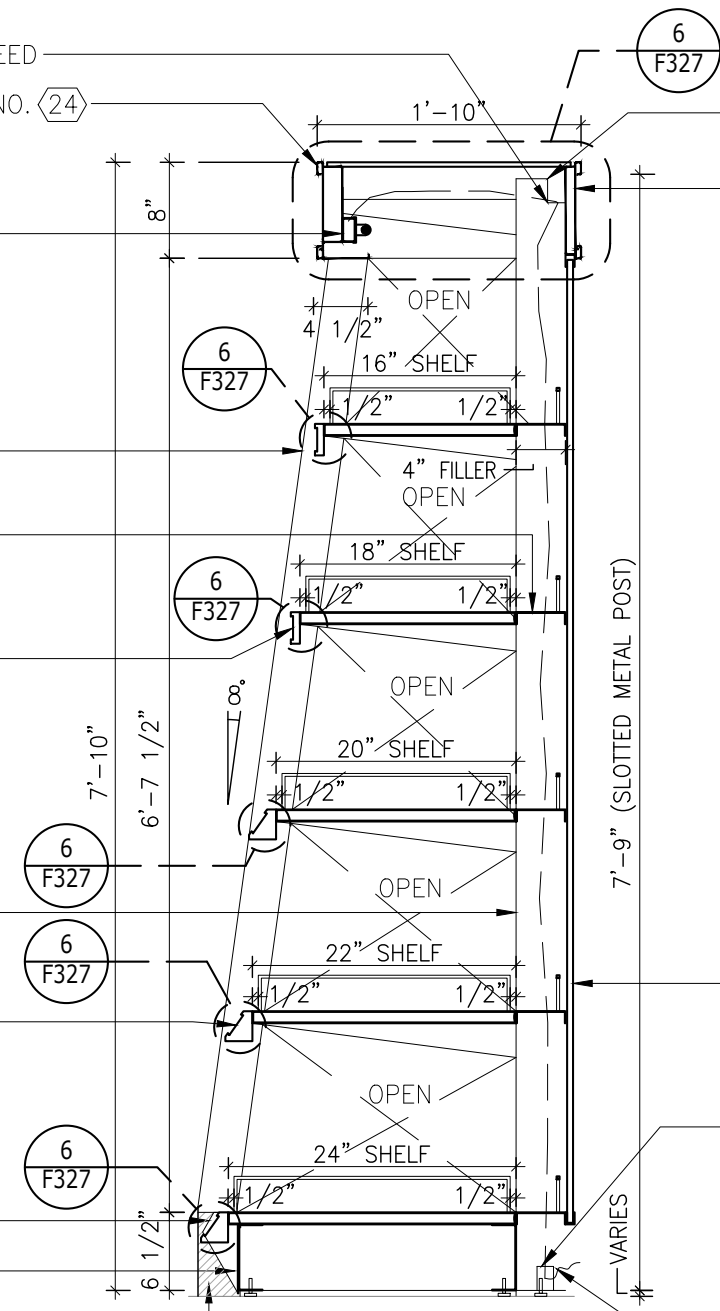
HEAVY DUTY METAL SHELIVING C/W ANGLED WOOD
TICKET MOULDINGS FIN. NO. (30) TO ACCOMMODATE
STANDARD LCBO 2" HIGH PAPER TICKETS AT ALL
SHELVES (SEE DETAIL 8, F327) ON H.D. METAL
BRACKETS ALL IN FIN. NO. (24)

SIDE BASE COVER PLATES AT ENDS
BY METAL SHELIVING SUPPLIER IN FIN. NO. (17)

RECESSED METAL BASE FIN. NO. (17)

METAL BASE TO WRAP METAL GABLE FIN. (24)
BY METAL SHELIVING SUPPLIER (DENOTED BY HATCHING)

4 SECTION
F327 3/4" = 1'-0"



SHELIVING SUPPLIER TO INSTALL METAL TOP CAP
TO POSTS FOR ANCHORING OF METAL CANOPY

8" H. BREAKFORM METAL SIGNBAND WITH PT. FIN. NO. (24)
TO WRAP ALL SIDES OF POSTS BY METAL SHELIVING
SUPPLIER. NO VISIBLE CONNECTORS/ FASTENERS

HEAVY DUTY METAL SHELIVING C/W STRAIGHT WOOD
TICKET MOULDINGS FIN. NO. (30) TO ACCOMMODATE
STANDARD LCBO 2" HIGH PAPER TICKETS AT ALL
SHELVES (SEE DETAIL 7, F327) ON H.D. METAL
BRACKETS ALL IN FIN. NO. (24)

NOTE:
SOLID WOOD GRADE TO BE FAS

HEAVY DUTY METAL SHELIVING C/W ANGLED WOOD
TICKET MOULDINGS FIN. NO. (30) TO ACCOMMODATE
STANDARD LCBO 2" HIGH PAPER TICKETS AT ALL
SHELVES (SEE DETAIL 8, F327) ON H.D. METAL
BRACKETS ALL IN FIN. NO. (24)

1 1/4" THK. TAPERED METAL GABLE
BY METAL SHELIVING SUPPLIER FIN. NO. (24)

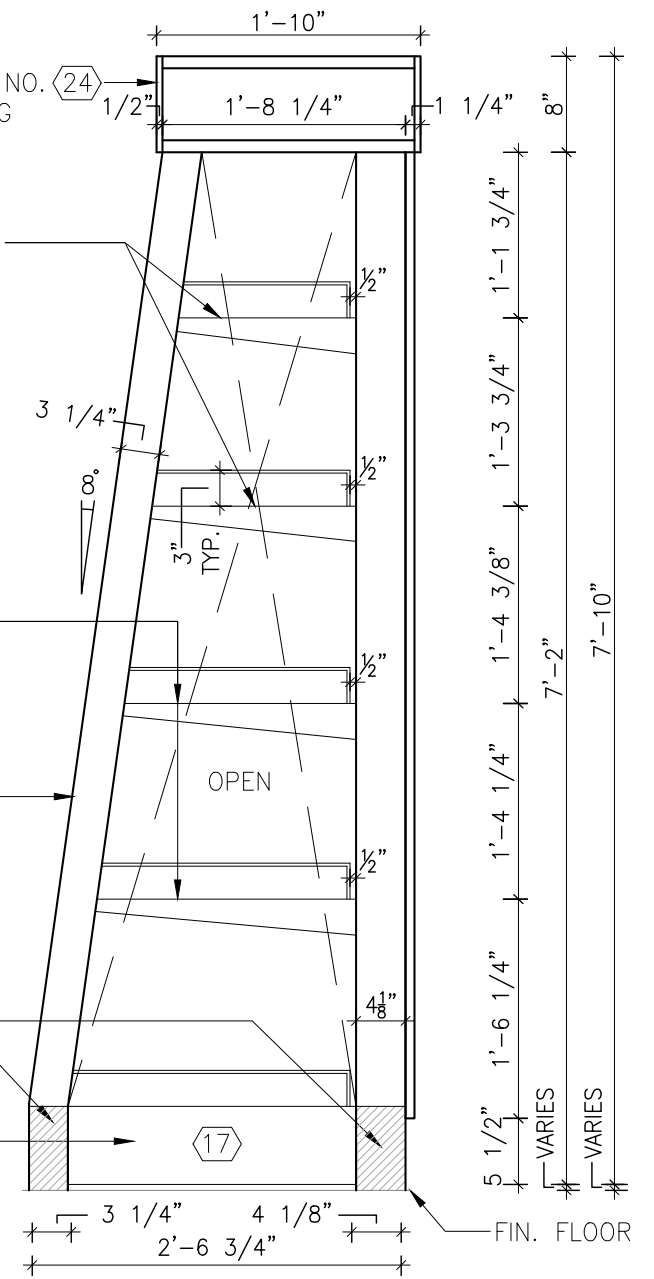
.220" NOMINAL CLEAR PETG CENTER CORE W/ .006" 5
YEAR DADE UV FILM FUSED ON BOTH SIDES, FINE SUEDE
IN 1" x 3/8" METAL FRAME FIN. NO. (55) (ALL SIDES)

METAL BASE TO WRAP METAL GABLE FIN. (24)
BY METAL SHELIVING SUPPLIER
(DENOTED BY HATCHING)

SIDE BASE COVER PLATES AT ENDS BY
METAL SHELIVING SUPPLIER IN FIN. NO. (17)
RECESSED BACK FROM METAL GABLE

CUT-OUT IN METAL POST FOR
CONCEALED POWER FEED

5 ELEVATION
F327 3/4" = 1'-0"



NOTE:

ALL LIGHTING TO BE SUPPLIED + INSTALLED BY GC. COORDINATE CUT-OUT OPENING WITH MILLWORK
CONTRACTOR AS REQUIRED. ENSURE ALL WIRING IS CONCEALED FROM CUSTOMERS VIEW. GC TO COORDINATE
WITH SUPPLIER TO ENSURE TIMELY DELIVERY OF LIGHTS TO SUIT THE CONSTRUCTION SCHEDULE.

LCBO	300 VINTAGES	REVISION DATE	REV.	3 of 4	ISSUE DATE	STORE TYPE	STORE #
	VINTAGES DOUBLE-SIDED GIFT/SPIRITS FIXTURE WITH U.V. PETG PANEL	2021 MAR	17	F327	2021 APR		

NOTE:
SOLID WOOD GRADE TO BE FAS

NOTE:
ALL COMPONENTS
SUPPLIED BY METAL
SHELVING SUPPLIER
INCLUDING TOP SIGNAGE
CANOPY.

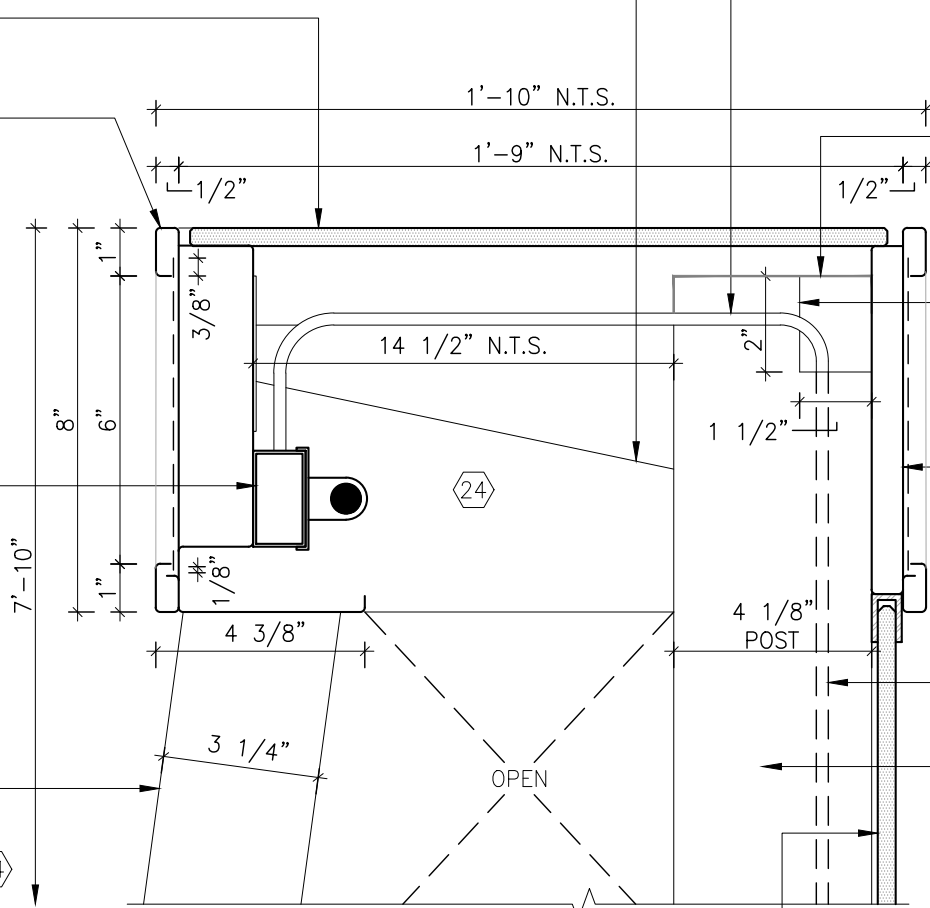
NOTE:
METAL SHELVING SUPPLIER TO ENSURE
THAT FIXTURE IS CONSTRUCTED SO
THAT LIGHT FIXTURES CAN BE
SERVICED AND/OR REMOVED WITHOUT
DISMANTLING FIXTURE

3/8" THK. FROSTED
PLEXI-GLASS INSERTS ON
RUBBER CUSHIONS

8" HIGH BREAKFORM
METAL SIGNBAND PT.
FIN. NO. (24) TO WRAP
ALL SIDES OF POSTS.
NO VISIBLE
CONNECTORS/FASTENERS

T5 FLUORESCENT LIGHT
FIXTURE SUPPLIED +
INSTALLED BY GC
MOUNTED TO BACK SIDE
OF SIGN BAND (END TO
END). CONCEAL POWER
FEED WITHIN METAL POST
AS REQUIRED

1 1/4" x 3 1/4"
TAPERED METAL POST
BY METAL SHELVING
SUPPLIER PT. FIN. NO. (24)



14 1/2" DP. METAL BRACKET
W/ WELDED 3"x3" METAL
FLANGE BY METAL SHELVING
SUPPLIER ALL IN FIN. (24)

POWER CABLE WITH PLUG TO
BE ROUTED DOWN THE INSIDE
OF THE POSTS. POST CUT
OUTS AT TOP AND BOTTOM TO
ALLOW THE CORD C/W PLUG
TO BE PULLED THRU POST.
CABLE IS TO BE LONG
ENOUGH TO REACH NEAREST
OUTLET. VERIFY LOCATION OF
OUTLET ON SITE

SHELVING SUPPLIER TO
INSTALL METAL TOP CAP TO
POSTS FOR ANCHORING OF
METAL CANOPY

METAL POST TO BE SUPPLIED
COMPLETE WITH 1 1/2" x 2"
CUT OUTS AT TOP AND
BOTTOM TO INTERIOR FACE OF
OUTER POSTS

8" HIGH BREAKFORM
METAL SIGNBAND PT.
FIN. NO. (24) TO WRAP
ALL SIDES OF POSTS.
NO VISIBLE
CONNECTORS/FASTENERS

DOTTED LINES OF POWER
FEED WITHIN POST

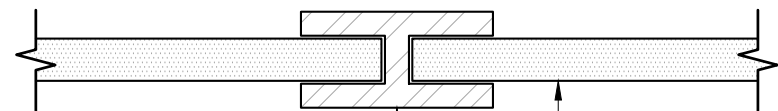
4 1/8" x 1 1/2" x 7'-6"
HIGH HEAVY DUTY SLOTTED
METAL POST (SLOTS AT 1"
O.C. TYP.) C/W CONTINUOUS
FULL HEIGHT METAL CAP
DETAIL TO BOTH SIDES OF
POSTS TO CONCEAL WELDS,
ALL IN FIN. NO. (24)
(TYPICAL AT ALL POSTS)

.220" NOMINAL CLEAR PETG CENTER CORE W/ .006" 5 YEAR
DADE UV FILM FUSED ON BOTH SIDES, FINE SUEDE IN 1" x 3/8"
METAL FRAME FIN. NO. (55) (ALL SIDES)

6 **DETAIL**
F327 3" = 1'-0"

GENERAL NOTES

- DIMENSIONS SHOWN REFLECT SHELF & BASE DIMENSIONS ONLY & DO NOT TAKE METAL TICKET HOLDERS INTO ACCOUNT
- ALL ADJUSTMENTS TO COMPENSATE FOR NON-LEVEL FLOOR SURFACES TO BE MADE AT BOTTOM END OF POST
- GC TO CO-ORDINATE MILLWORK + METAL SHELF INSTALLATION
- METAL SHELVING SUPPLIER TO OBTAIN SIGNAGE SAMPLE FROM LCBO PRIOR TO FABRICATION TO ENSURE PROPER FIT OF SIGNAGE INSERT
- METAL SHELVING SUPPLIER TO OBTAIN 2" HIGH PAPER TICKET SAMPLE FROM LCBO PRIOR TO FABRICATION TO ENSURE PROPER FIT WITHIN TICKET MOULDING. SUBMIT SAMPLE FOR APPROVAL
- ENSURE ALL SHELVES ARE IN EXACT ALIGNMENT AND ARE TRUE & LEVEL. PERFORATED SHELVES ARE NOT ACCEPTABLE. SHELVES TO SUPPORT LOAD CAPACITY OF 500LBS
- ALL METAL SHELVING COMPONENTS TO BE SUPPLIED TO MILLWORK CONTRACTOR BY GC. MILLWORK CONTRACTOR RESPONSIBLE FOR FINAL ASSEMBLY ON-SITE.



SATIN STAINLESS METAL CLIPS
FIN. NO. (55) TO SECURE
ADJACENT PLEXI PANELS. PLEXI
SEAMS TO MEET O.C. OF METAL
POSTS BEYOND, CLIPS TO ALIGN
WITH SHELVING BEYOND.

.220" NOMINAL CLEAR PETG CENTER
CORE W/ .006" 5 YEAR DADE UV FILM
FUSED ON BOTH SIDES, FINE SUEDE IN
1" x 3/8" METAL FRAME FIN. NO. (55)
(ALL SIDES)

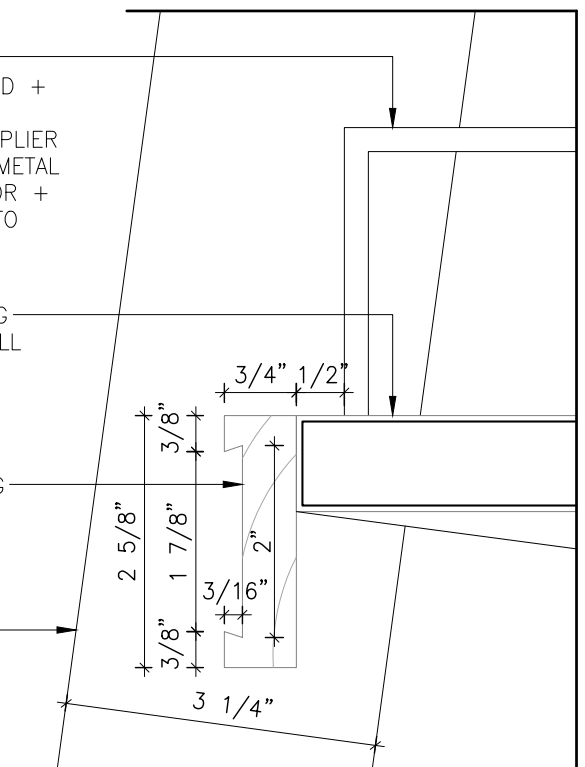
9 **GLAZING CLIP DETAIL**
F327 FULL SCALE

1/4" SQ. METAL RAIL
FIN. NO. (55) TO BE SUPPLIED +
INSTALLED BY MILLWORK
CONTRACTOR. SHELVING SUPPLIER
TO PRE-DRILL HOLES FOR METAL
RAILS. MILLWORK CONTRACTOR +
METAL SHELVING SUPPLIER TO
COORDINATE.

HEAVY DUTY METAL SHELVING
ON H.D. METAL BRACKETS ALL
IN FIN. NO. (24)

HARDWOOD TICKET MOULDING
(STRAIGHT) FIN. NO. (30)

1 1/4" x 3 1/4"
TAPERED METAL POST BY
METAL SHELVING SUPPLIER
PT. FIN. NO. (24)



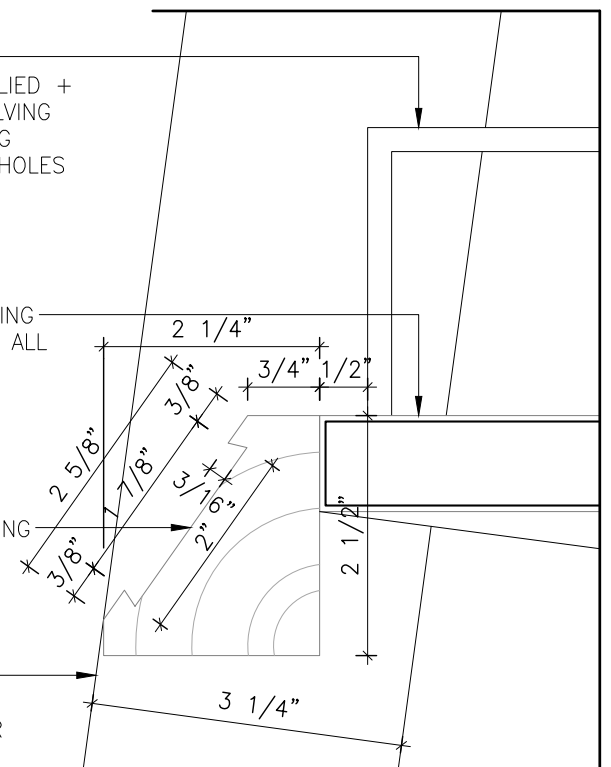
7 **DETAIL**
F327 6" = 1'-0"

1/4" SQ. METAL RAIL
FIN. NO. (55) TO BE SUPPLIED +
INSTALLED BY METAL SHELVING
SUPPLIER. METAL SHELVING
SUPPLIER TO PRE-DRILL HOLES
FOR METAL RAILS.

HEAVY DUTY METAL SHELVING
ON H.D. METAL BRACKETS ALL
IN FIN. NO. (24)

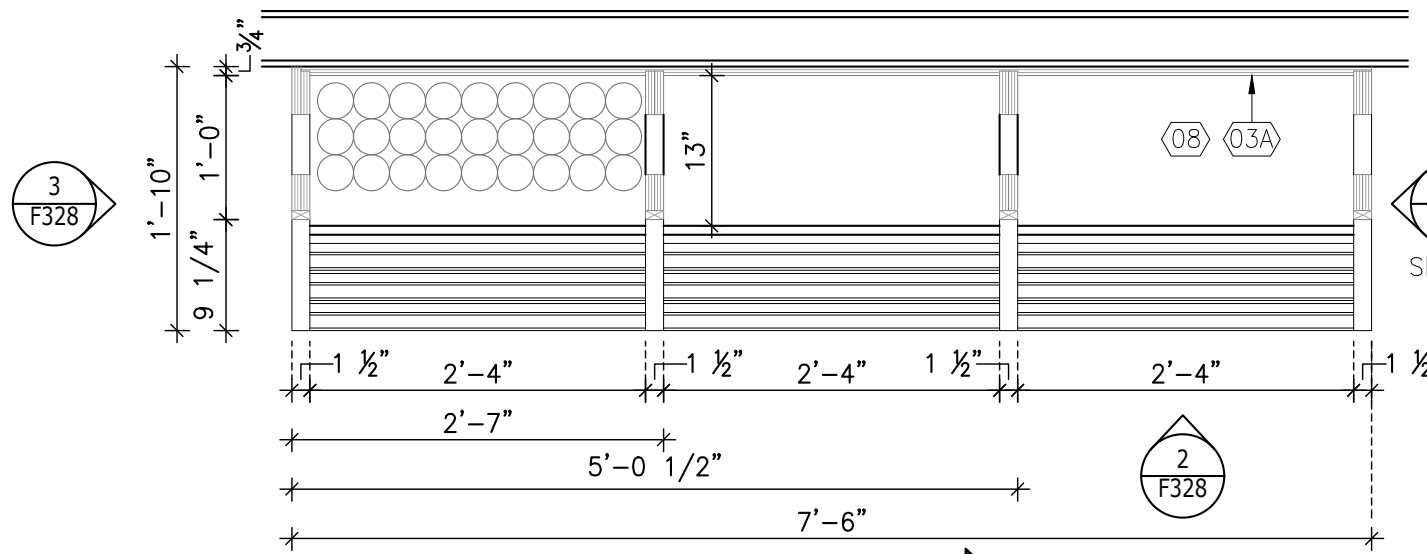
HARDWOOD TICKET MOULDING
(ANGLED) FIN. NO. (30)

1 1/4" x 3 1/4"
TAPERED METAL POST BY
METAL SHELVING SUPPLIER
PT. FIN. NO. (24)



8 **DETAIL**
F327 6" = 1'-0"

LCBO	300 VINTAGES	REVISION DATE	REV.	4 of 4	ISSUE DATE	STORE TYPE	STORE #
	VINTAGES DOUBLE-SIDED GIFT/SPIRITS FIXTURE WITH U.V. PETG PANEL	2021 MAR	17	F327	2021 APR		

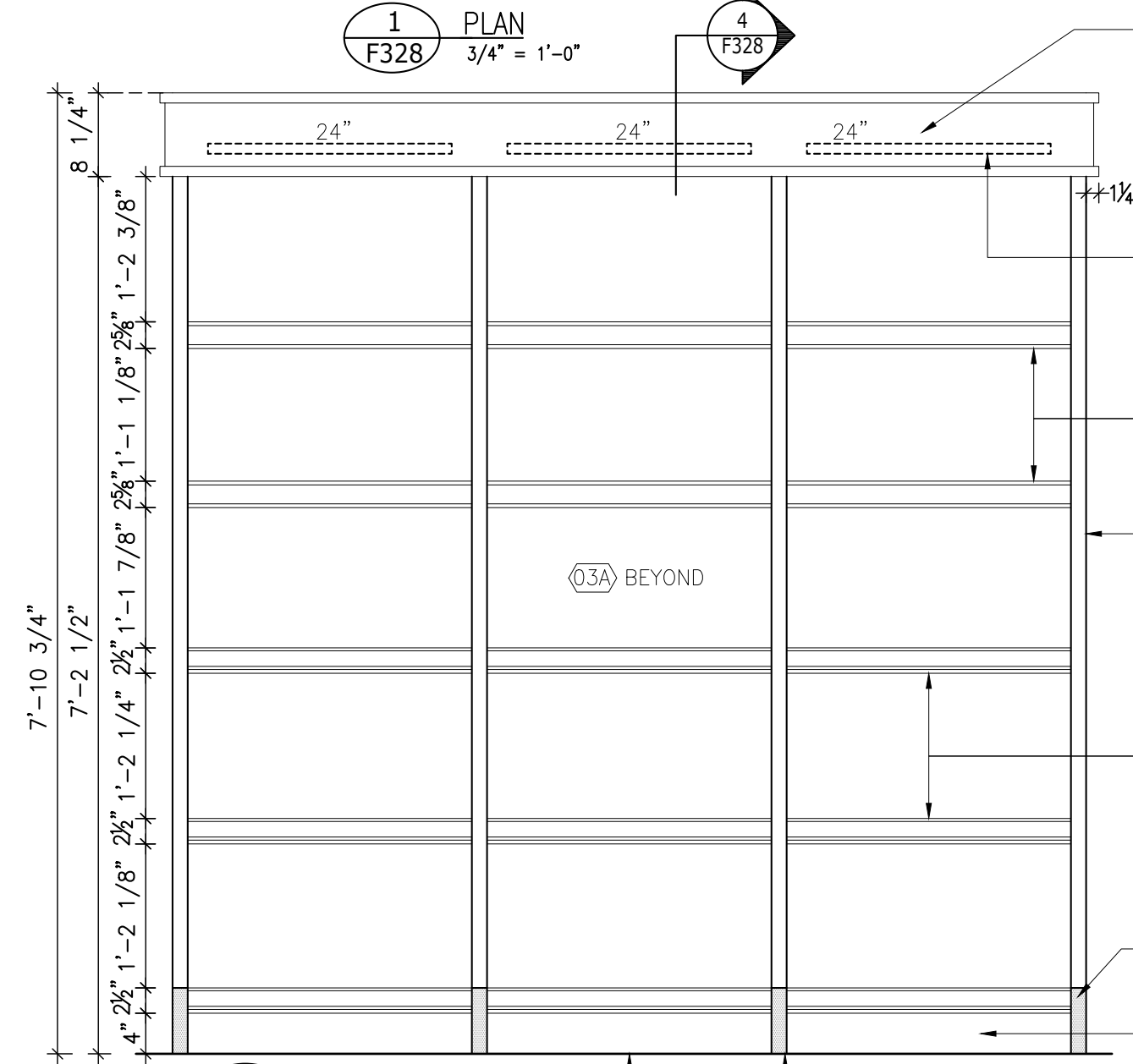


GENERAL NOTES:

G.C. TO PROVIDE POWER SOURCE FOR FIXTURE (IF REQUIRED) IN WALL BEHIND FIXTURE OR CONCEALED IN WALL BEHIND SIGN BAND.

G.C. TO COORDINATE WITH MILLWORK CONTRACTOR AND ENSURE THAT ALL WIRES ARE CONCEALED FROM CUSTOMER VIEW

MILLWORK CONTRACTOR TO PROVIDE PROTOTYPE FOR REVIEW AND APPROVAL PRIOR TO FABRICATION OF REMAINING UNITS.



MDF SIGN BAND W/ AUTOMOTIVE PT. FIN. NO. (24) & CONCEALED FLUORESCENT LIGHTING

PROVIDE SHOP DWGS. FOR APPROVAL, PRIOR TO FABRICATION

FLUORESCENT LIGHT FIXTURES CONCEALED WITHIN FASCIA/SIGN BAND FOR ILLUMINATION OF SHELVING

FIXED SHELVES FIN. NO. (08) W/ STRAIGHT HARDWOOD TICKET MOULDING FIN. NO. (30) BEYOND

TAPERED MDF POST W/ AUTOMOTIVE PT. FIN. NO. (24)

MDF POST W/ AUTOMOTIVE PT. FIN. NO. (24)

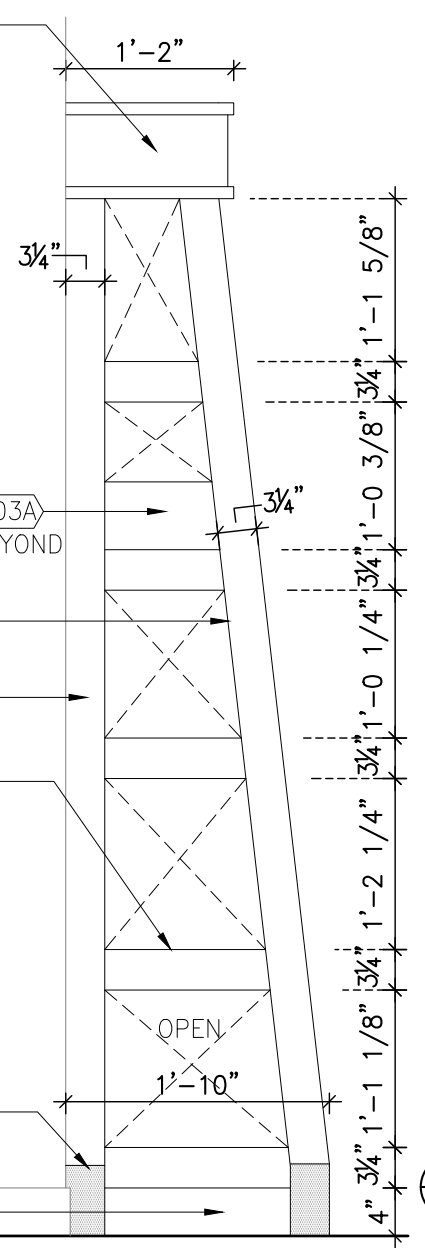
3/4" X 1 1/2" THK. MDF RAIL W/ AUTOMOTIVE PT. FIN. NO. (24)

FIXED SHELVES FIN. NO. (08) W/ ANGLED HARDWOOD TICKET MOULDING FIN. NO. (30)

NOTE:
G.C. TO SECURE FIXTURE TO WALL W/ STRAPPING AS NECESSARY TO ENSURE STABILITY

6 1/2" HIGH METAL CORNER GUARD FIN. (24)

RECESSED 4" HIGH BASE FIN. NO. (04)



NOTE:
SOLID WOOD GRADE TO BE FAS

NOTE:
MILLWORK CONTRACTOR TO ENSURE THAT FIXTURE IS CONSTRUCTED SO THAT LIGHT FIXTURES CAN BE SERVICED AND/OR REMOVED WITHOUT DISMANTLING MILLWORK

2
ELEVATION
F328
3/4" = 1'-0"

3
ELEVATION
F328
3/4" = 1'-0"

LCBO 300 VINTAGES FEATURE FIXTURE-3 MODULE (7'-6" WIDE - NO DIGITAL MEDIA)	REVISION DATE	REV.	1 of 3	ISSUE DATE	STORE TYPE	STORE #
	2017 NOV	15	F328	2021 APR		

NOTE:
SOLID WOOD GRADE TO BE FAS

PROVIDE 1" DIA. VENTILATION HOLES (AS REQ'D.)

ALL FLUORESCENT LIGHT FIXTURES TO BE HARDWIRED UNLESS AN EXISTING ELECTRICAL OUTLET IS AVAILABLE IN PARTITION BEHIND FIXTURE

STAGGERED FLUORESCENT LIGHT FIXTURES CONCEALED BEHIND SIGN BAND TO ILLUMINATE FACE OF DRYWALL. ENSURE LIGHT FIXTURES ARE NOT VISIBLE

MDF SIGN BAND W/ AUTOMOTIVE PT. FIN. NO. (24) & CONCEALED FLUORESCENT LIGHTING

NOTE:
G.C. TO SECURE FIXTURE TO WALL W/ STRAPPING AS NECESSARY TO ENSURE STABILITY

TAPERED MDF POST W/ AUTOMOTIVE PT. FIN. NO. (24)

FIXED SHELVES FIN. NO. (08) W/ STRAIGHT HARDWOOD TICKET MOULDING FIN. NO. (30)

MDF POST W/ AUTOMOTIVE PT. FIN. NO. (24)

FIXED SHELVES FIN. NO. (08) W/ ANGLED HARDWOOD TICKET MOULDING FIN. NO. (30)

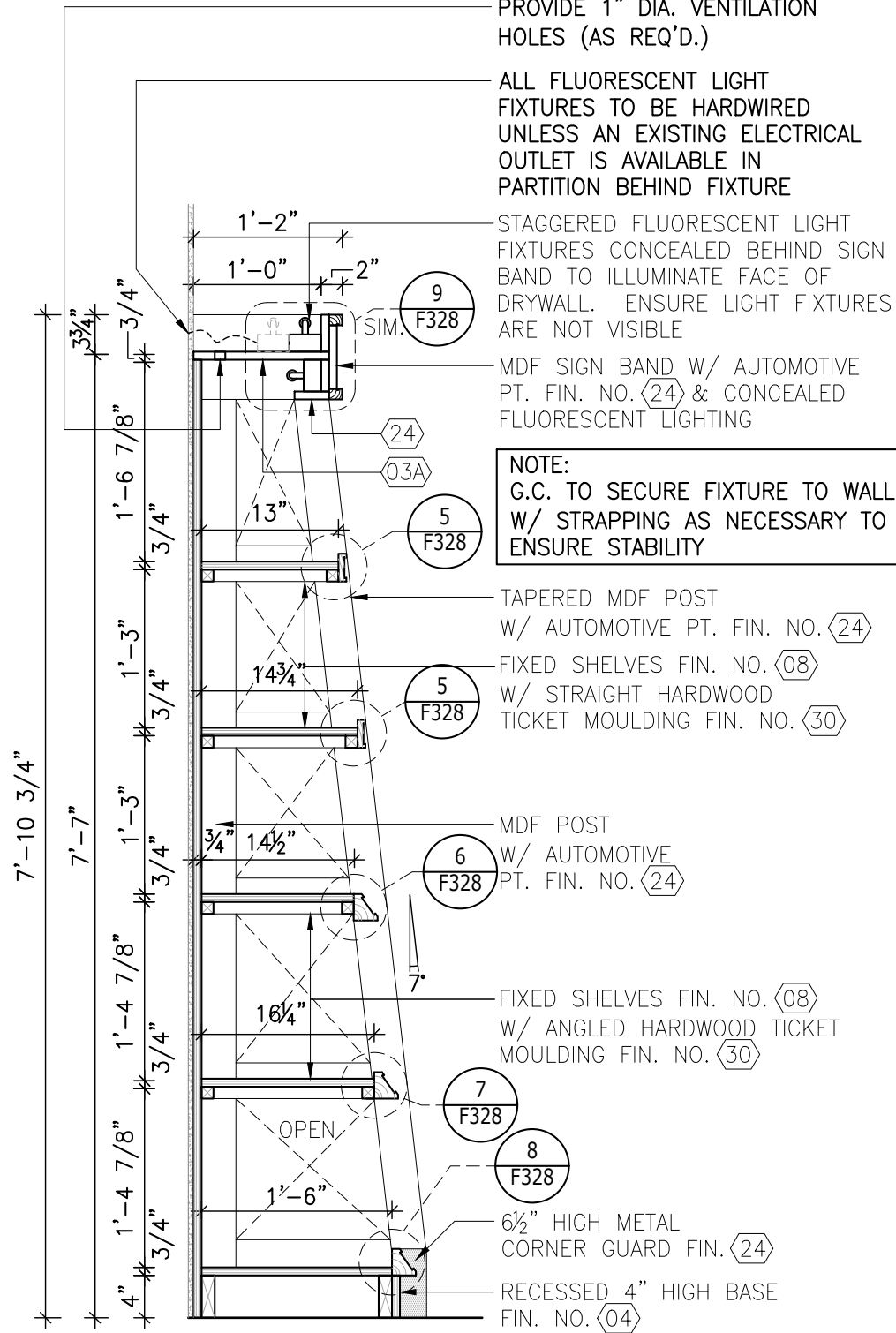
7 F328

8 F328

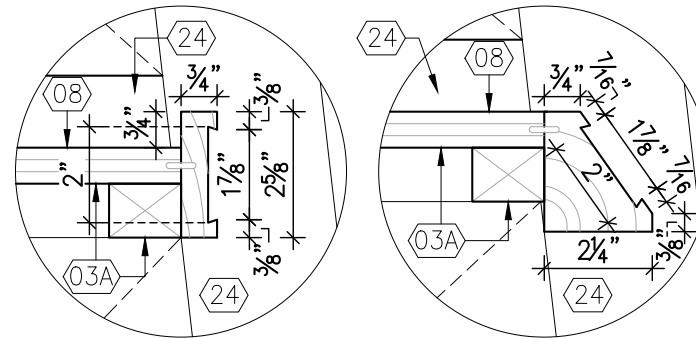
6 1/2" HIGH METAL CORNER GUARD FIN. (24)

RECESSED 4" HIGH BASE FIN. NO. (04)

PROVIDE SHOP DWGS. FOR APPROVAL, PRIOR TO FABRICATION



4 SECTION
F328 3/4" = 1'-0"



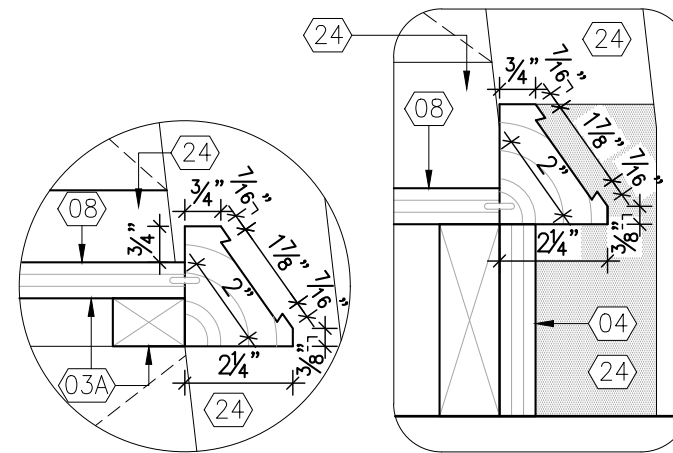
5 DETAIL
F328 3/4" = 1'-0"

6 DETAIL
F328 3/4" = 1'-0"

GENERAL NOTES:

G.C. TO PROVIDE POWER SOURCE FOR FIXTURE (IF REQUIRED) IN WALL BEHIND FIXTURE OR CONCEALED IN WALL BEHIND SIGN BAND.
G.C. TO COORDINATE WITH MILLWORK CONTRACTOR AND ENSURE THAT ALL WIRES ARE CONCEALED FROM CUSTOMER VIEW

MILLWORK CONTRACTOR TO PROVIDE PROTOTYPE FOR REVIEW AND APPROVAL PRIOR TO FABRICATION OF REMAINING UNITS.



7 DETAIL
F328 3/4" = 1'-0"

8 DETAIL
F328 3/4" = 1'-0"

LCBO

300 VINTAGES
FEATURE FIXTURE-3 MODULE (7'-6" WIDE - NO DIGITAL MEDIA)

REVISION DATE	REV.		ISSUE DATE	STORE TYPE	STORE #
2017 NOV	15	F328	2021 APR		

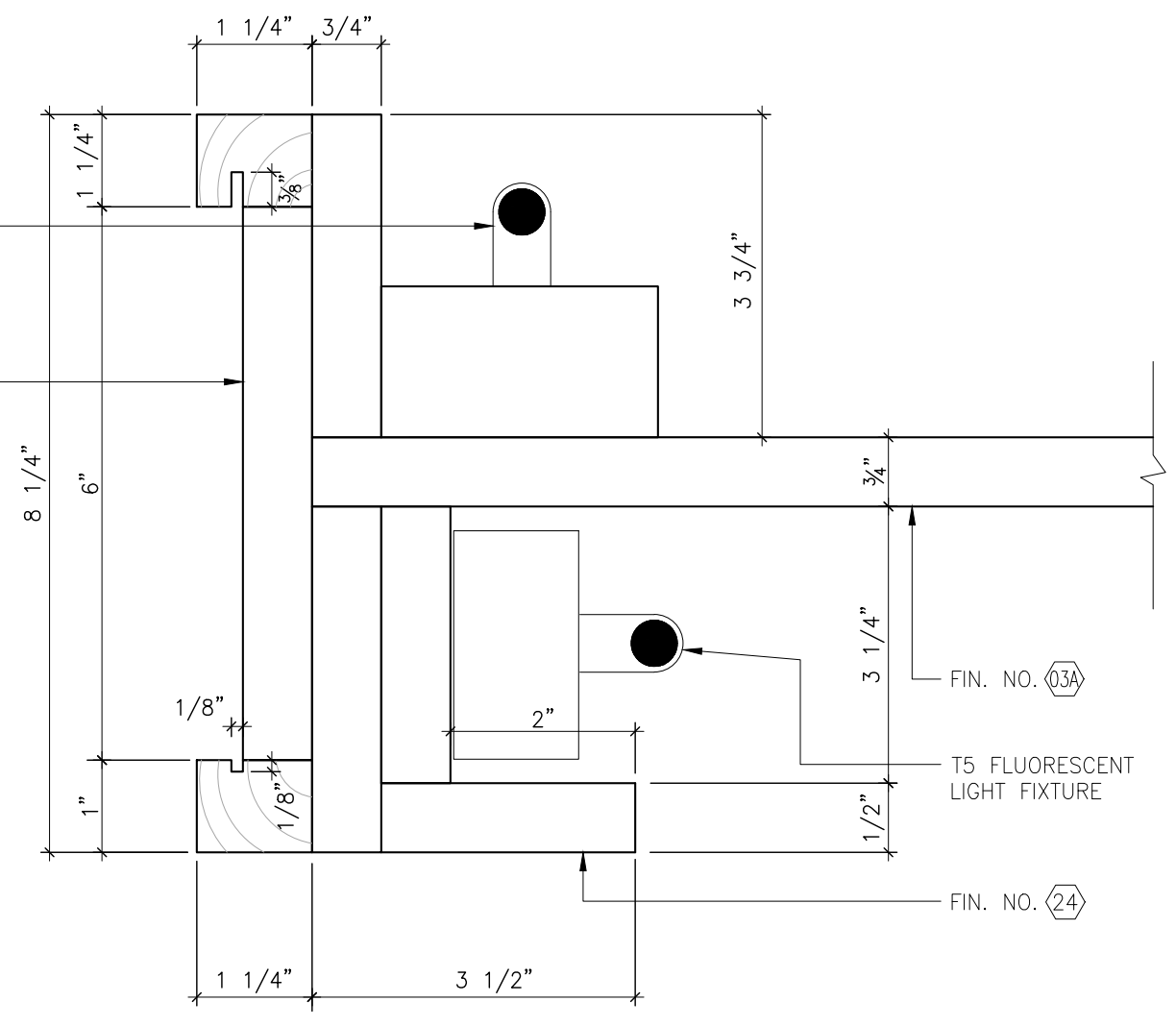
T5 FLUORESCENT LIGHT COVE TO ILLUMINATE FACE OF DRYWALL B/HEAD, FLUORSCENT FIXTURES TO OVERLAP TO PREVENT DARK SPOTS. SUPPLIED AND INSTALLED BY MILLWORK CONTRACTOR.

MDF SIGN BAND FIN. NO. (24) TO ALL EXPOSED SURFACES

NOTE:
ALL POWER FEEDS TO BE CONCEALED FROM CUSTOMERS VIEW.

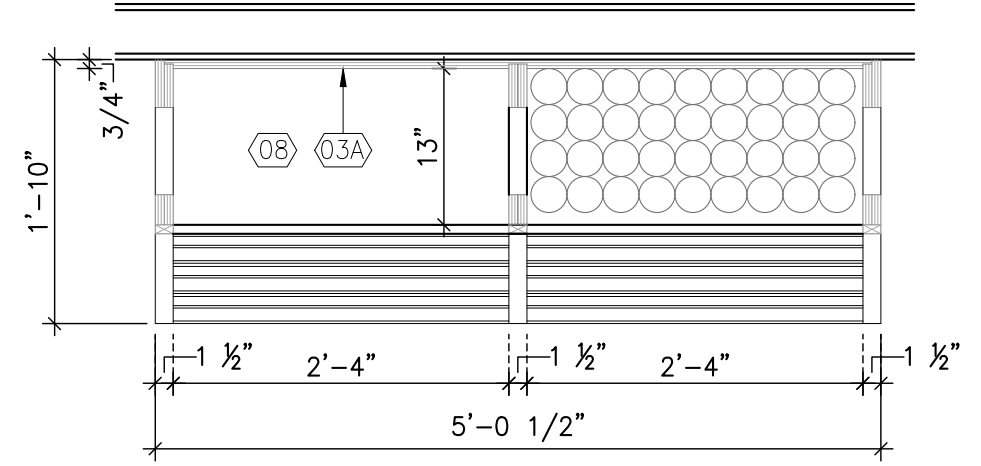
ALL LIGHTING WITHIN UNIT TO BE SUPPLIED & INSTALLED BY MILLWORK CONTRACTOR. FINAL CONNECTIONS BY G.C.'s ELECTRICAL SUBTRADE.

NOTE:
MILLWORK CONTRACTOR TO ENSURE THAT FIXTURE IS CONSTRUCTED SO THAT LIGHT FIXTURES CAN BE SERVICED AND/OR REMOVED WITHOUT DISMANTLING MILLWORK



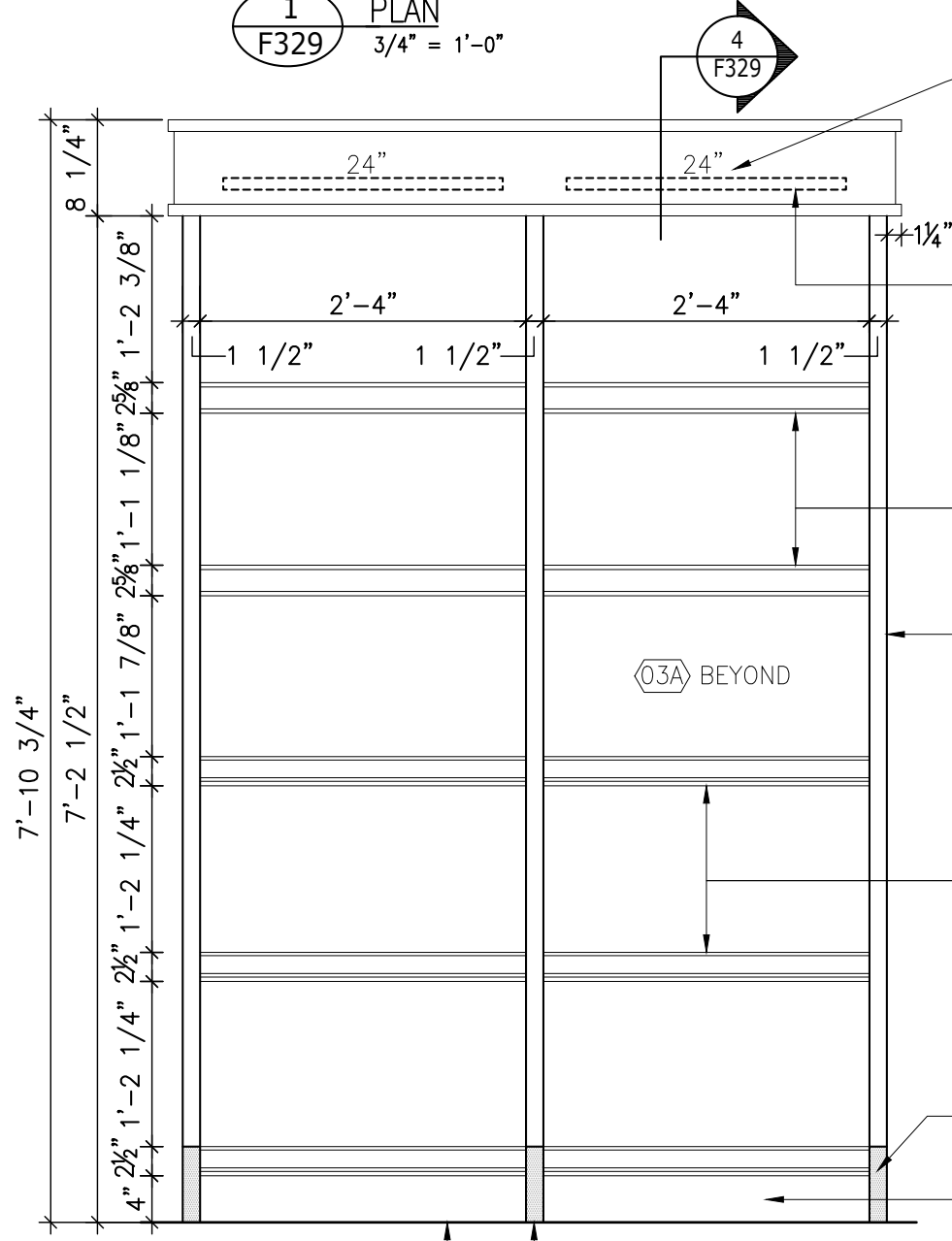
9 SECTION-DETAIL
F328 6" = 1'-0"

LCBO	300 VINTAGES	REVISION DATE	REV.	3 of 3	ISSUE DATE	STORE TYPE	STORE #
	FEATURE FIXTURE-3 MODULE (7'-6" WIDE - NO DIGITAL MEDIA)	2017 NOV	15	F328	2021 APR		



1 PLAN
F329
3/4" = 1'-0"

GENERAL NOTES:
 G.C. TO PROVIDE POWER SOURCE FOR FIXTURE (IF REQUIRED) IN WALL BEHIND FIXTURE OR CONCEALED IN WALL BEHIND SIGN BAND.
 G.C. TO COORDINATE WITH MILLWORK CONTRACTOR AND ENSURE THAT ALL WIRES ARE CONCEALED FROM CUSTOMER VIEW
 MILLWORK CONTRACTOR TO PROVIDE PROTOTYPE FOR REVIEW AND APPROVAL PRIOR TO FABRICATION OF REMAINING UNITS.



2 ELEVATION
F329
3/4" = 1'-0"

NOTE: BASE TO BE SCRIBED TO FLOOR

MDF SIGN BAND W/ AUTOMOTIVE PT. FIN. NO. (24) & CONCEALED FLUORESCENT LIGHTING

FLUORESCENT LIGHT FIXTURES CONCEALED WITHIN FASCIA/SIGN BAND FOR ILLUMINATION OF SHELVING

FIXED SHELVES FIN. NO. (08) W/ STRAIGHT HARDWOOD TICKET MOULDING FIN. NO. (30)

TAPERED MDF POST W/ AUTOMOTIVE PT. FIN. NO. (24)

MDF POST W/ AUTOMOTIVE PT. FIN. NO. (24)

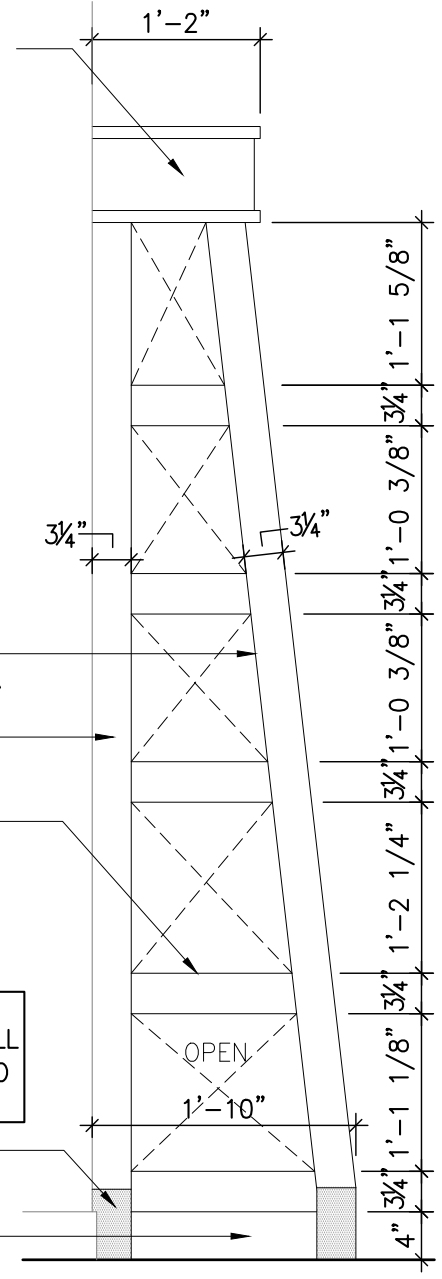
3/4" X 1 1/2" THK. MDF RAIL W/ AUTOMOTIVE PT. FIN. NO. (24)

FIXED SHELVES FIN. NO. (08) W/ ANGLED HARDWOOD TICKET MOULDING FIN. NO. (30)

NOTE:
G.C. TO SECURE FIXTURE TO WALL W/ STRAPPING AS NECESSARY TO ENSURE STABILITY

6 1/2" HIGH METAL CORNER GUARD FIN. (24)

RECESSED 4" HIGH BASE FIN. NO. (04)



3 ELEVATION
F329
3/4" = 1'-0"

NOTE:
SOLID WOOD GRADE TO BE FAS

NOTE:
MILLWORK CONTRACTOR TO ENSURE THAT FIXTURE IS CONSTRUCTED SO THAT LIGHT FIXTURES CAN BE SERVICED AND/OR REMOVED WITHOUT DISMANTLING MILLWORK

PROVIDE SHOP DWGS. FOR APPROVAL, PRIOR TO FABRICATION

LCBO	300 VINTAGES	REVISION DATE	REV.	1 of 3	ISSUE DATE	STORE TYPE	STORE #
	FEATURE FIXTURE - 2 MODULE (NO DIGITAL MEDIA)	2017 NOV	15	F329	2021 APR		

NOTE:
SOLID WOOD GRADE TO BE FAS

PROVIDE 1" DIA. VENTILATION HOLES (AS REQ'D.)

ALL FLUORESCENT LIGHT FIXTURES TO BE HARDWIRED UNLESS AN EXISTING ELECTRICAL OUTLET IS AVAILABLE IN PARTITION BEHIND FIXTURE

STAGGERED FLUORESCENT LIGHT FIXTURES CONCEALED BEHIND SIGN BAND TO ILLUMINATE FACE OF DRYWALL. ENSURE LIGHT FIXTURES ARE NOT VISIBLE

MDF SIGN BAND W/ AUTOMOTIVE PT. FIN. NO. (24) & CONCEALED FLUORESCENT LIGHTING

NOTE:
G.C. TO SECURE FIXTURE TO WALL W/ STRAPPING AS NECESSARY TO ENSURE STABILITY

TAPERED MDF POST W/ AUTOMOTIVE PT. FIN. NO. (24)

FIXED SHELVES FIN. NO. (08) W/ STRAIGHT HARDWOOD TICKET MOULDING FIN. NO. (30)

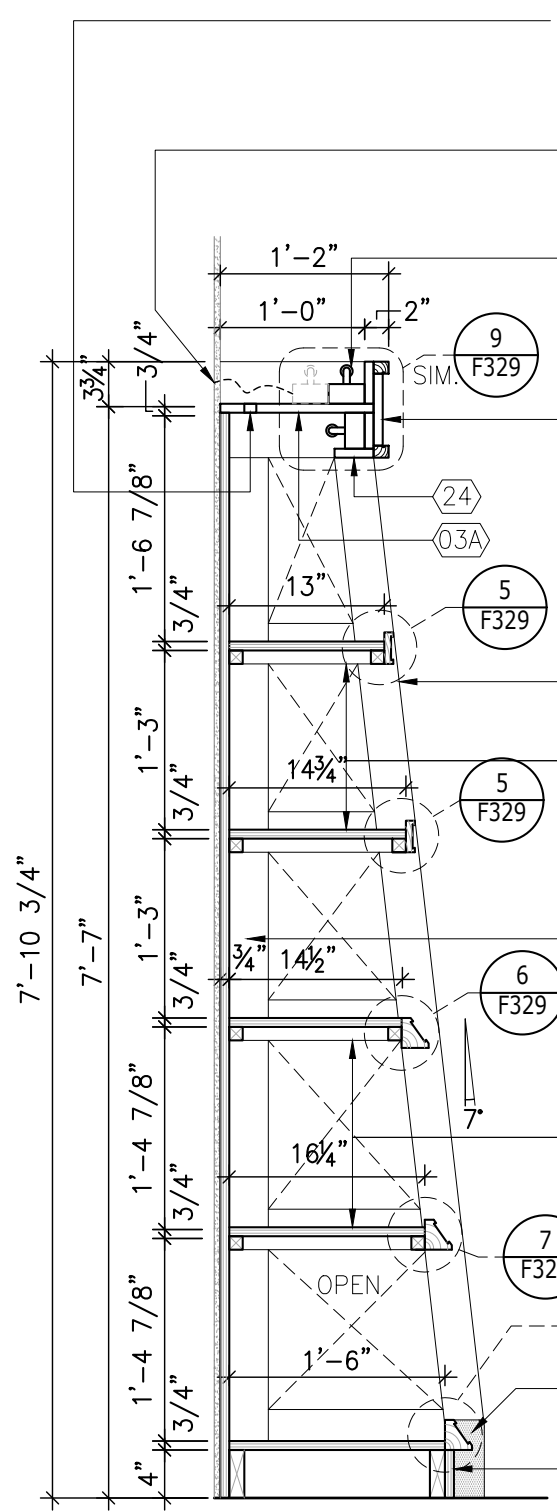
MDF POST W/ AUTOMOTIVE PT. FIN. NO. (24)

FIXED SHELVES FIN. NO. (08) W/ ANGLED HARDWOOD TICKET MOULDING FIN. NO. (30)

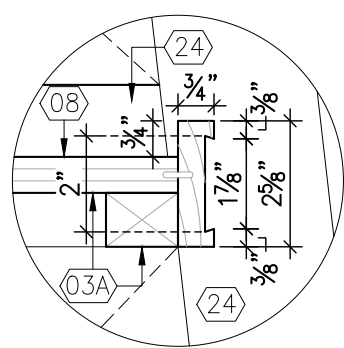
6 1/2" HIGH METAL CORNER GUARD FIN. (24)

RECESSED 4" HIGH BASE FIN. NO. (04)

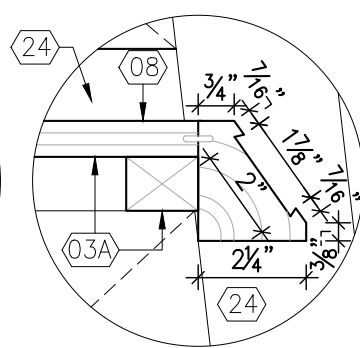
PROVIDE SHOP DWGS. FOR APPROVAL, PRIOR TO FABRICATION



4 SECTION
F329 3/4" = 1'-0"



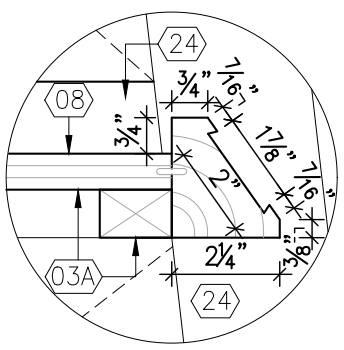
5 DETAIL
F329 3/4" = 1'-0"



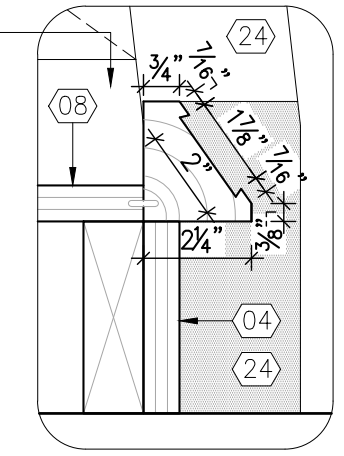
6 DETAIL
F329 3/4" = 1'-0"

GENERAL NOTES:
G.C. TO PROVIDE POWER SOURCE FOR FIXTURE (IF REQUIRED) IN WALL BEHIND FIXTURE OR CONCEALED IN WALL BEHIND SIGN BAND.
G.C. TO COORDINATE WITH MILLWORK CONTRACTOR AND ENSURE THAT ALL WIRES ARE CONCEALED FROM CUSTOMER VIEW

MILLWORK CONTRACTOR TO PROVIDE PROTOTYPE FOR REVIEW AND APPROVAL PRIOR TO FABRICATION OF REMAINING UNITS.



7 DETAIL
F329 3/4" = 1'-0"



8 DETAIL
F329 3/4" = 1'-0"

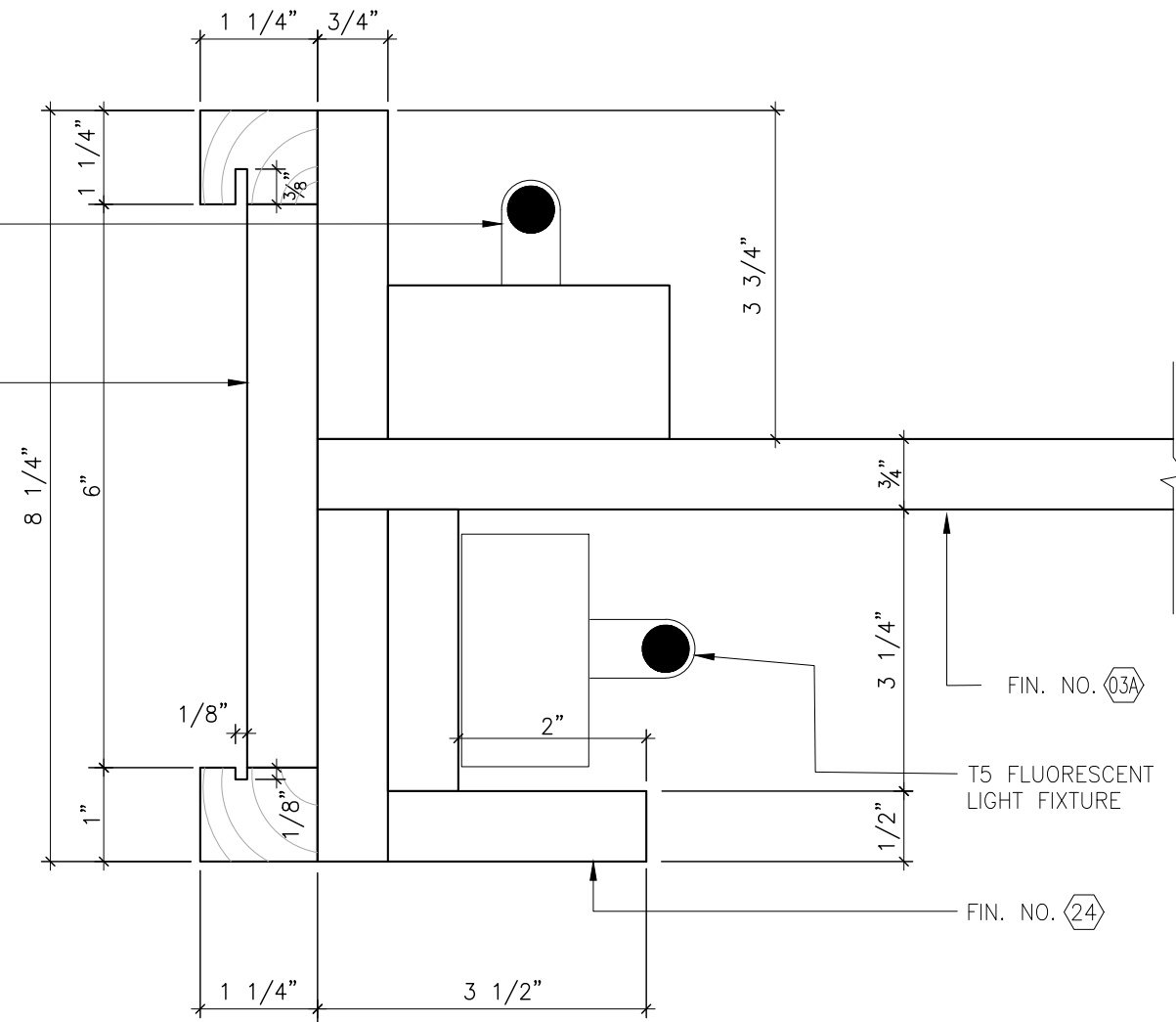
LCBO	300 VINTAGES	REVISION DATE	REV.	2 of 3	ISSUE DATE	STORE TYPE	STORE #
	FEATURE FIXTURE - 2 MODULE (NO DIGITAL MEDIA)	2017 NOV	15	F329	2021 APR		

T5 FLUORESCENT LIGHT COVE TO ILLUMINATE FACE OF DRYWALL B/HEAD, FLUORESCENT FIXTURES TO OVERLAP TO PREVENT DARK SPOTS. SUPPLIED AND INSTALLED BY MILLWORK CONTRACTOR.

MDF SIGN BAND FIN. NO. (24) TO ALL EXPOSED SURFACES

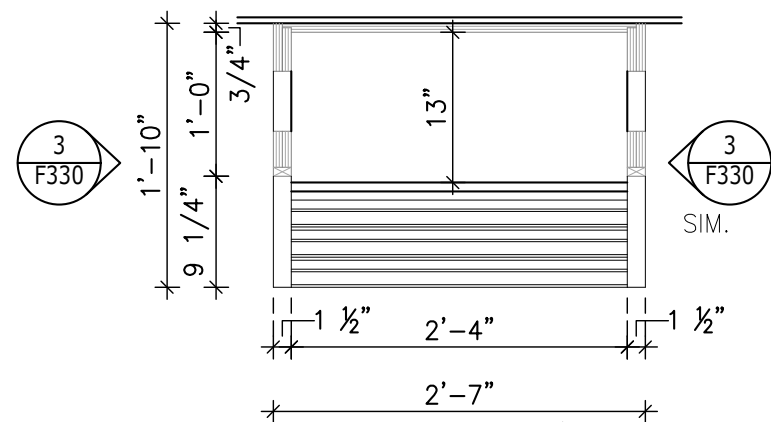
NOTE:
ALL POWER FEEDS TO BE CONCEALED FROM CUSTOMERS VIEW.
ALL LIGHTING WITHIN UNIT TO BE SUPPLIED & INSTALLED BY MILLWORK CONTRACTOR. FINAL CONNECTIONS BY G.C.'S ELECTRICAL SUBTRADE.

NOTE:
MILLWORK CONTRACTOR TO ENSURE THAT FIXTURE IS CONSTRUCTED SO THAT LIGHT FIXTURES CAN BE SERVICED AND/OR REMOVED WITHOUT DISMANTLING MILLWORK

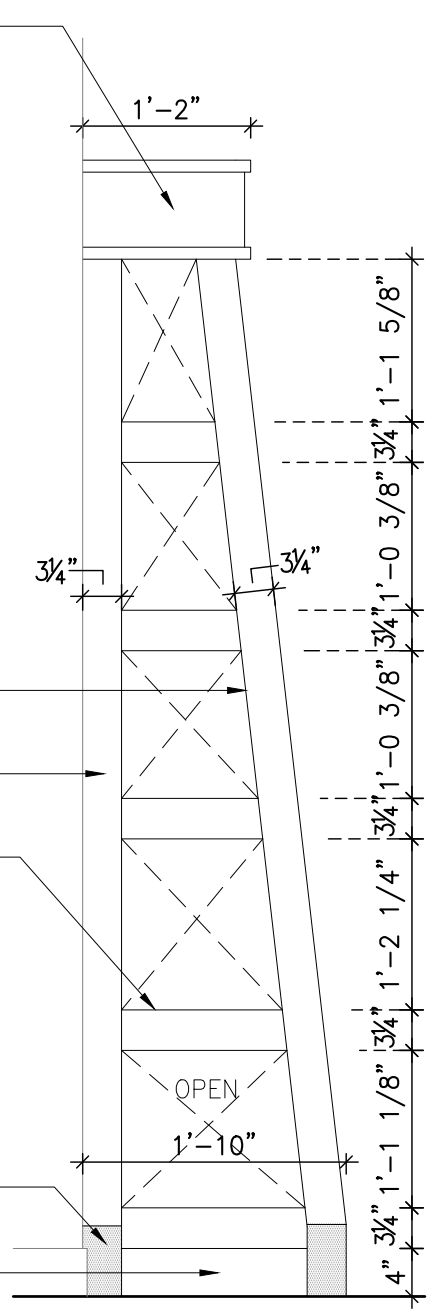
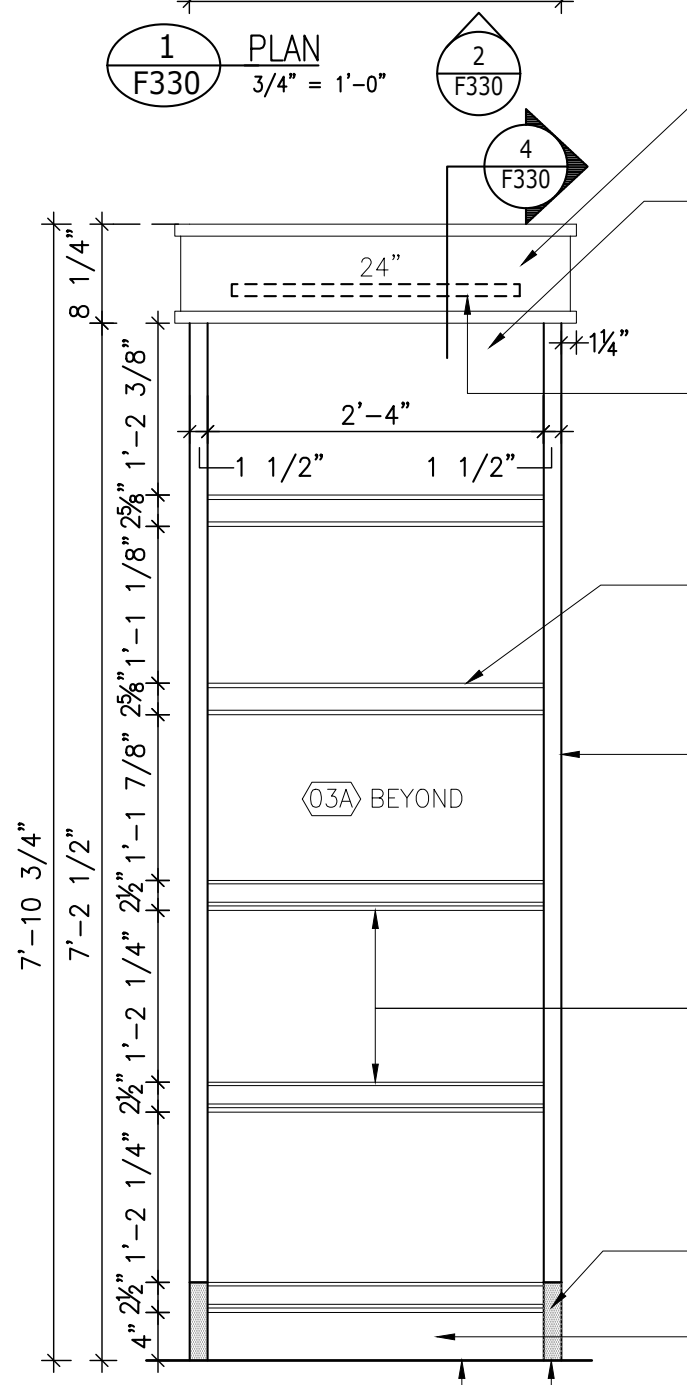


9 SECTION-DETAIL
F329 6" = 1'-0"

LCBO	300 VINTAGES	REVISION DATE	REV.	3 of 3	ISSUE DATE	STORE TYPE	STORE #
	FEATURE FIXTURE - 2 MODULE (NO DIGITAL MEDIA)	2017 NOV	15	F329	2021 APR		



GENERAL NOTES:
 G.C. TO PROVIDE POWER SOURCE FOR FIXTURE (IF REQUIRED) IN WALL BEHIND FIXTURE OR CONCEALED IN WALL BEHIND SIGN BAND.
 G.C. TO COORDINATE WITH MILLWORK CONTRACTOR AND ENSURE THAT ALL WIRES ARE CONCEALED FROM CUSTOMER VIEW
 MILLWORK CONTRACTOR TO PROVIDE PROTOTYPE FOR REVIEW AND APPROVAL PRIOR TO FABRICATION OF REMAINING UNITS.



MDF SIGN BAND W/ AUTOMOTIVE PT. FIN. NO. (24) & CONCEALED FLUORESCENT LIGHTING
 PANEL BEYOND W/ FIN. NO. (03A)
 FLUORESCENT LIGHT FIXTURE CONCEALED WITHIN FASCIA/SIGN BAND FOR ILLUMINATION OF SHELVING
 FIXED SHELVES FIN. NO. (08) W/ STRAIGHT HARDWOOD TICKET MOULDING FIN. NO. (30)
 TAPERED MDF POST W/ AUTOMOTIVE PT. FIN. NO. (24)
 MDF POST W/ AUTOMOTIVE PT. FIN. NO. (24)
 3/4" X 1 1/2" THK. MDF RAIL W/ AUTOMOTIVE PT. FIN. NO. (24)
 FIXED SHELVES W/ ANGLED HARDWOOD TICKET MOULDING FIN. NO. (30)
 6 1/2" HIGH METAL CORNER GUARD FIN. (24)
 RECESSED 4" HIGH BASE FIN. NO. (04)

NOTE:
 SOLID WOOD GRADE TO BE FAS

NOTE:
 MILLWORK CONTRACTOR TO ENSURE THAT FIXTURE IS CONSTRUCTED SO THAT LIGHT FIXTURES CAN BE SERVICED AND/OR REMOVED WITHOUT DISMANTLING MILLWORK

NOTE:
 G.C. TO SECURE FIXTURE TO WALL W/ STRAPPING AS NECESSARY TO ENSURE STABILITY

PROVIDE SHOP DWGS. FOR APPROVAL, PRIOR TO FABRICATION

2 ELEVATION
 F330 3/4" = 1'-0"

3 ELEVATION
 F330 3/4" = 1'-0"

NOTE: BASE TO BE SCRIBED TO FLOOR

LCBO	300 VINTAGES	REVISION DATE	REV.	1 of 3	ISSUE DATE	STORE TYPE	STORE #
	FEATURE FIXTURE - SINGLE MODULE (2'-7" WIDE - NO DIGITAL MEDIA)	2017 NOV	15	F330	2021 APR		

NOTE:
SOLID WOOD GRADE TO BE FAS

PROVIDE 1" DIA. VENTILATION HOLES (AS REQ'D.)

ALL FLUORESCENT LIGHT FIXTURES TO BE HARDWIRED UNLESS AN EXISTING ELECTRICAL OUTLET IS AVAILABLE IN PARTITION BEHIND FIXTURE

STAGGERED FLUORESCENT LIGHT FIXTURES CONCEALED BEHIND SIGN BAND TO ILLUMINATE FACE OF DRYWALL. ENSURE LIGHT FIXTURES ARE NOT VISIBLE

MDF SIGN BAND W/ AUTOMOTIVE PT. FIN. NO. (24) & CONCEALED FLUORESCENT LIGHTING

NOTE:
G.C. TO SECURE FIXTURE TO WALL W/ STRAPPING AS NECESSARY TO ENSURE STABILITY

TAPERED MDF POST W/ AUTOMOTIVE PT. FIN. NO. (24)

FIXED SHELVES FIN. NO. (08) W/ STRAIGHT HARDWOOD TICKET MOULDING FIN. NO. (30)

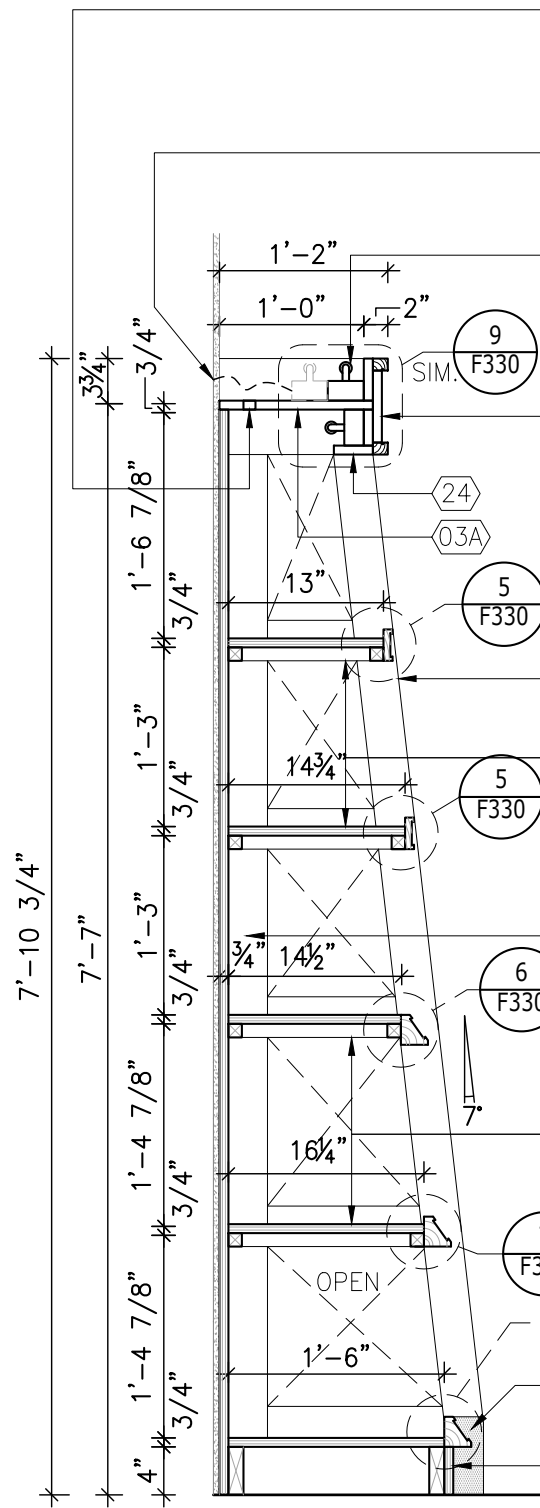
MDF POST W/ AUTOMOTIVE PT. FIN. NO. (24)

FIXED SHELVES FIN. NO. (08) W/ ANGLED HARDWOOD TICKET MOULDING FIN. NO. (30)

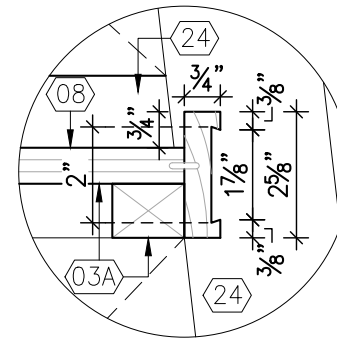
6 1/2" HIGH METAL CORNER GUARD FIN. (24)

RECESSED 4" HIGH BASE FIN. NO. (04)

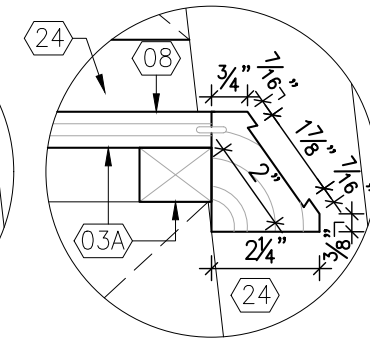
PROVIDE SHOP DWGS. FOR APPROVAL, PRIOR TO FABRICATION



4 SECTION
F707 3/4" = 1'-0"



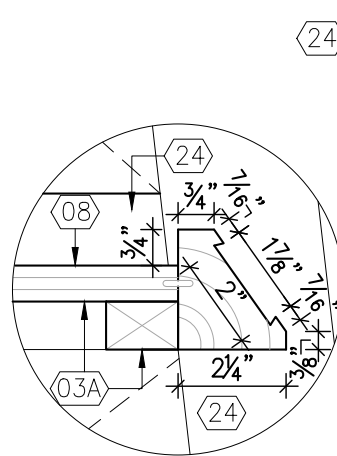
5 DETAIL
F330 3/4" = 1'-0"



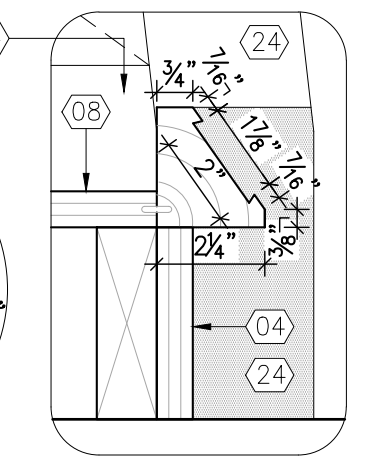
6 DETAIL
F330 3/4" = 1'-0"

GENERAL NOTES:
G.C. TO PROVIDE POWER SOURCE FOR FIXTURE (IF REQUIRED) IN WALL BEHIND FIXTURE OR CONCEALED IN WALL BEHIND SIGN BAND.
G.C. TO COORDINATE WITH MILLWORK CONTRACTOR AND ENSURE THAT ALL WIRES ARE CONCEALED FROM CUSTOMER VIEW

MILLWORK CONTRACTOR TO PROVIDE PROTOTYPE FOR REVIEW AND APPROVAL PRIOR TO FABRICATION OF REMAINING UNITS.



7 DETAIL
F330 3/4" = 1'-0"



8 DETAIL
F330 3/4" = 1'-0"

LCBO	300 VINTAGES	REVISION DATE	REV.	2 of 3	ISSUE DATE	STORE TYPE	STORE #
	FEATURE FIXTURE - SINGLE MODULE (2'-7" WIDE - NO DIGITAL MEDIA)	2017 NOV	15	F330	2021 APR		

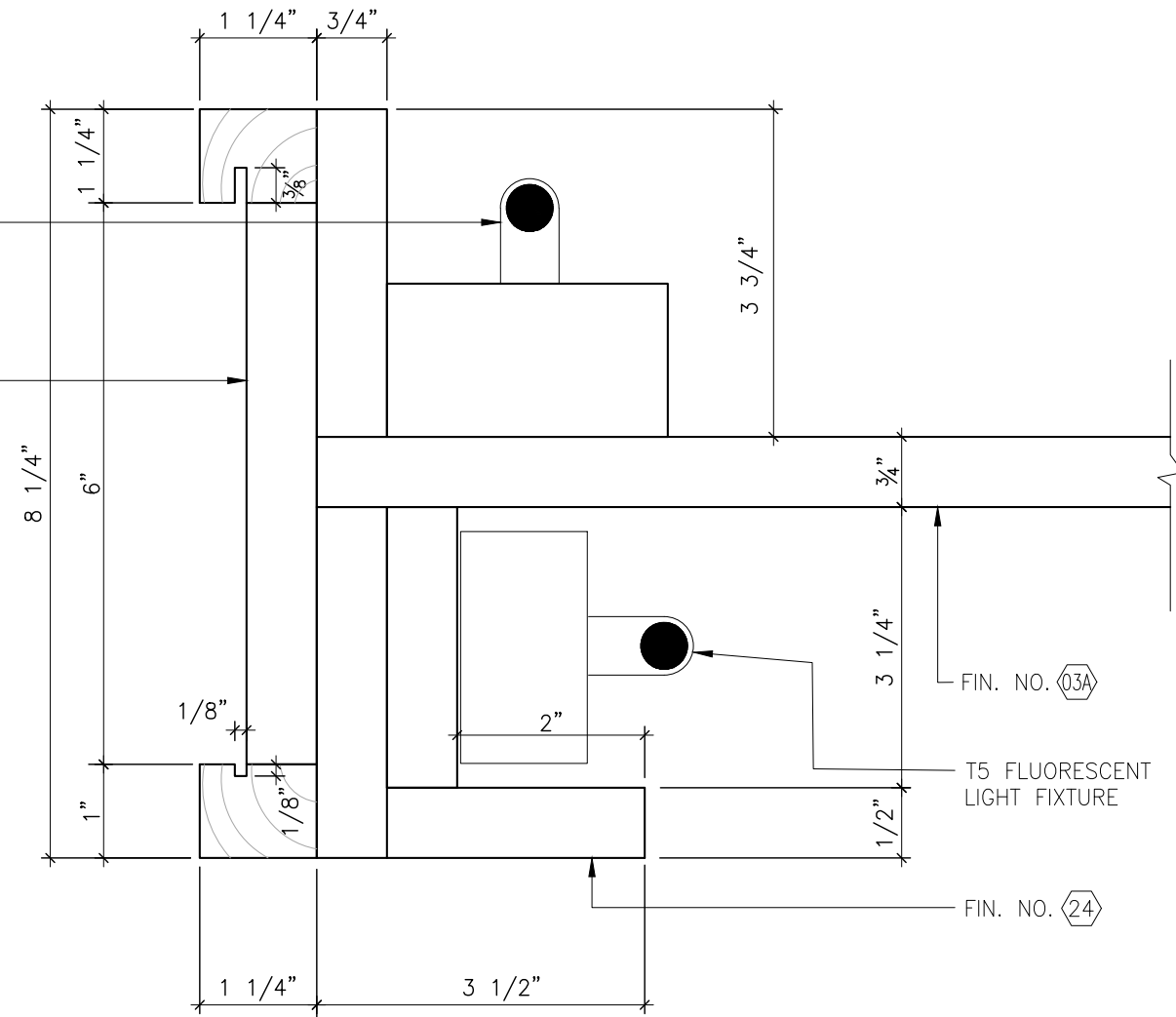
T5 FLUORESCENT LIGHT COVE TO ILLUMINATE FACE OF DRYWALL B/HEAD, FLUORESCENT FIXTURES TO OVERLAP TO PREVENT DARK SPOTS. SUPPLIED AND INSTALLED BY MILLWORK CONTRACTOR.

MDF SIGN BAND FIN. NO. (24) TO ALL EXPOSED SURFACES

NOTE:
ALL POWER FEEDS TO BE CONCEALED FROM CUSTOMERS VIEW.

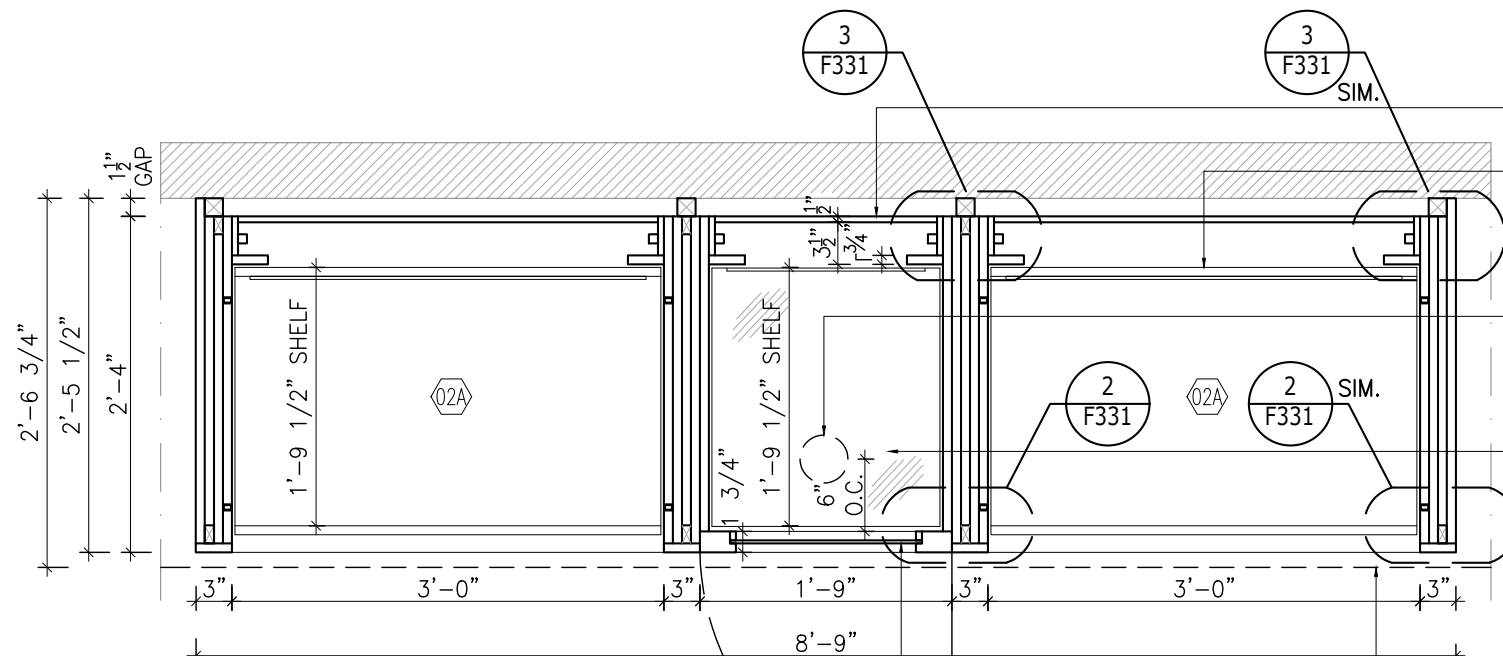
ALL LIGHTING WITHIN UNIT TO BE SUPPLIED & INSTALLED BY MILLWORK CONTRACTOR. FINAL CONNECTIONS BY G.C.'s ELECTRICAL SUBTRADE.

NOTE:
MILLWORK CONTRACTOR TO ENSURE THAT FIXTURE IS CONSTRUCTED SO THAT LIGHT FIXTURES CAN BE SERVICED AND/OR REMOVED WITHOUT DISMANTLING MILLWORK



9 SECTION-DETAIL
F330 6" = 1'-0"

LCBO	300 VINTAGES	REVISION DATE	REV.	3 of 3	ISSUE DATE	STORE TYPE	STORE #
	FEATURE FIXTURE - SINGLE MODULE (2'-7" WIDE - NO DIGITAL MEDIA)	2017 NOV	15	F330	2021 APR		



1 PLAN
F331 3/4" = 1'-0"

3 F331

NOTE:
SOLID WOOD GRADE TO BE FAS

NOTE:
LOCKS FOR F204, F205, F255, F256, F268, F269, F270, F276, F277, F278, F305, F307, F331, F333, F358, F359, F360, F361, F407, F415 AND F416 TO BE KEYED ALIKE

1/2" THK. P. LAM. PANEL FIN. NO. (02A)
AT CENTRE DISPLAY MODULE

ADJ. P. LAM. SHELVES FIN. NO. (02A) W/
HARDWOOD TICKET MOULDING FIN. NO. (30)
& 1/4" SQ. METAL RAIL AT BACK OF
SHELF FIN. NO. (55)

DOTTED LINES OF RECESSED L.E.D.
POTLIGHT BEYOND SUPPLIED + INSTALLED
BY MILLWORK CONTRACTOR, FINAL
CONNECTIONS BY GC.

ADJUSTABLE 3/8" THK. CLEAR TEMP. GLASS
SHELF ON ADJUSTABLE METAL SHELF CLIPS
#3020180 (NICKEL) BY RICHELIEU C/W 1/4" SQ.
METAL RAIL FIN. NO. (55) AT BACK OF SHELF,
SEE DET '11', DWG. F331

TOP OF GLASS SHELVES TO ALIGN W/ TOP OF
ADJACENT PLYWOOD SHELVES

DOTTED LINE OF WOOD FASCIA ABOVE

1 3/4" THK. LOCKABLE WOOD FRAMED
DOOR FIN. NO. (30) W/ 3/8" (10mm) THK.
CLEAR TEMPERED GLASS INSERT W/
RICHELIEU HANDLE #458160195, SEE PAGE
2/F331 FOR ADDITIONAL HARDWARE SPECS.

GENERAL NOTES:
ALL VERTICAL SURFACES ON THE INTERIOR OF THE 'WHISKY' MILLWORK
DETAILS (GABLES, BACK PANELS, AND DIVIDERS) ARE TO BE CONSTRUCTED OF
PREFINISHED PARTICLE BOARD PANELS W/ MELAMINE FIN. NO. (02A) BOTH
SIDES. MILLWORK CONTRACTOR TO PROVIDE HARDWOOD EDGE IN FIN. NO. (30)
TO ALL EXPOSED EDGES.

NOTE:
MILLWORK CONTRACTOR TO PROVIDE (1) COAT OF URETHANE SEALER AND
(2) TOP COATS OF SATIN LACQUER TO FIN. NO. (30)

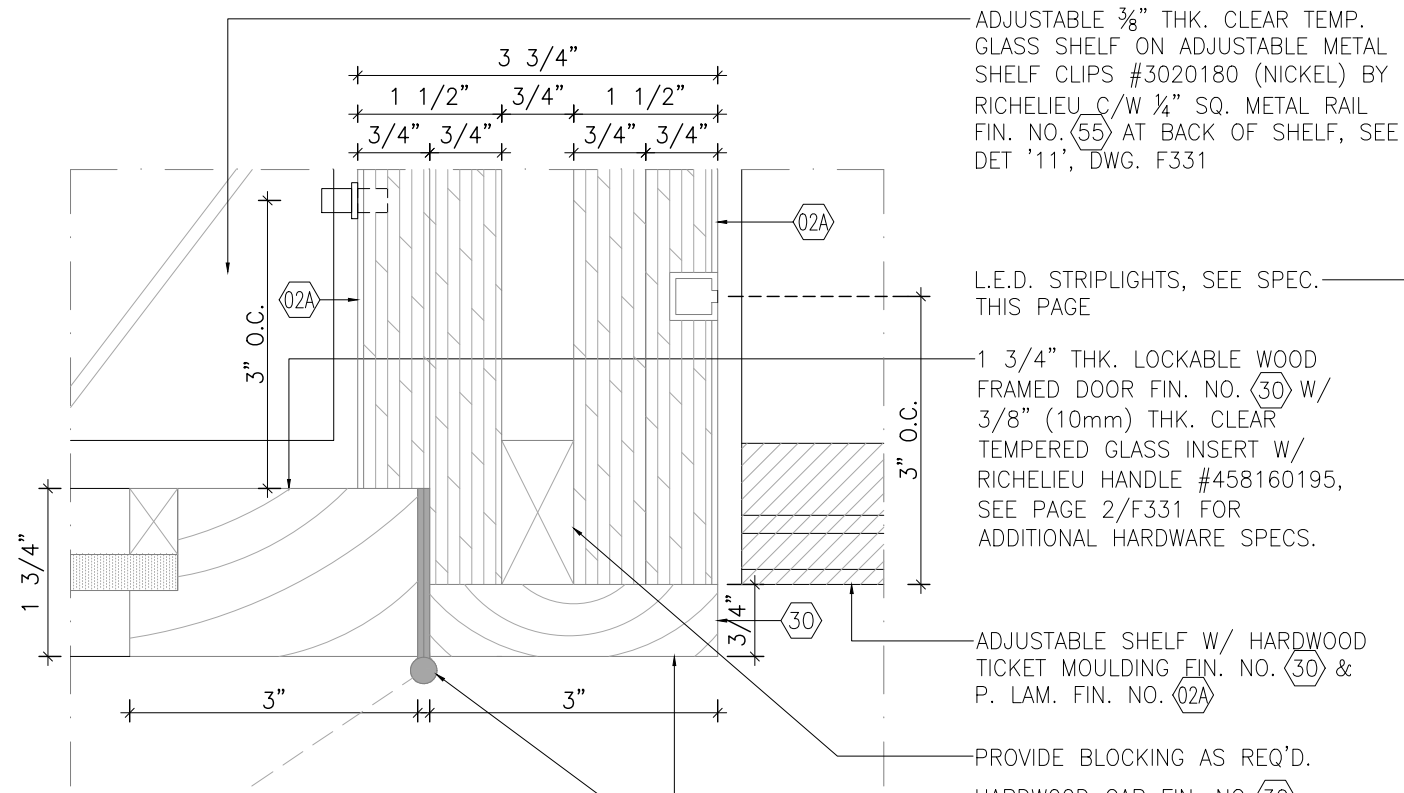
MILLWORK CONTRACTOR TO ENSURE THAT ALL SHELVES ARE IN EXACT
ALIGNMENT WITH ADJACENT PERIMETER SHELVING.

L.E.D. LIGHTSTRIPS:
PROVIDE 34 @ 12" LENGTH AS INDICATED WITHIN MILLWORK.

LED LIGHTSTRIPS BY TECHNILITE:
MODEL#: L3-32-GI-SEB
LENGTH=12"
OUTPUT=2.4 WATTS / 97 LUMENS PER FT.
COLOUR TEMP. 3200°K
DURATION: 50,000 HRS

RECESSED MINI L.E.D. POTLIGHT BY: JUNO LIGHTING GROUP
MINI LED GIMBAL - 3000°K
#MG1LG2-3K-NFL-SN (SATIN NICKEL)

*ALL L.E.D. LIGHTING AND ASSOCIATED COMPONENTS TO BE SUPPLIED &
INSTALLED BY MILLWORK CONTRACTOR, FINAL CONNECTION BY G.C.'S
ELECTRICAL SUBTRADE. ENSURE ALL WIRING/DRIVERS ARE CONCEALED FROM
CUSTOMER'S VIEW.



2 DETAIL
F331 6" = 1'-0"

ADJUSTABLE 3/8" THK. CLEAR TEMP.
GLASS SHELF ON ADJUSTABLE METAL
SHELF CLIPS #3020180 (NICKEL) BY
RICHELIEU C/W 1/4" SQ. METAL RAIL
FIN. NO. (55) AT BACK OF SHELF, SEE
DET '11', DWG. F331

L.E.D. STRIPLIGHTS, SEE SPEC.
THIS PAGE

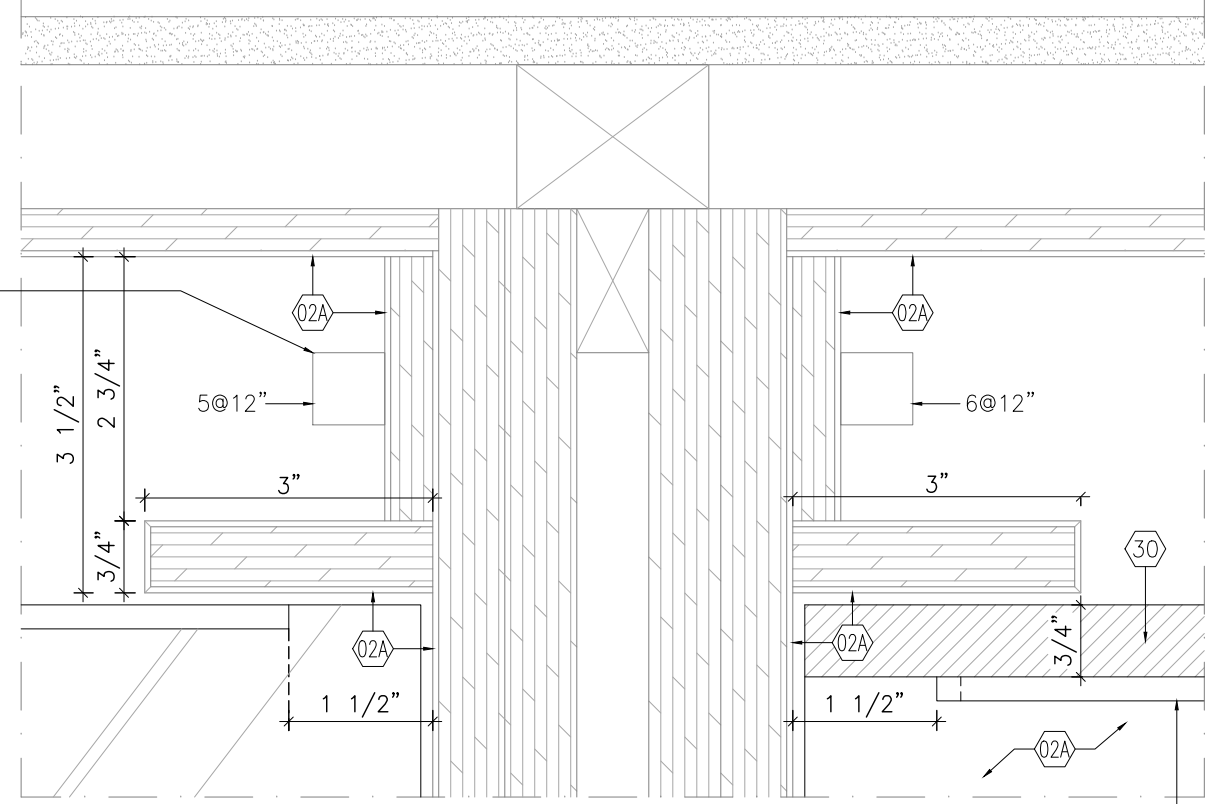
1 3/4" THK. LOCKABLE WOOD
FRAMED DOOR FIN. NO. (30) W/
3/8" (10mm) THK. CLEAR
TEMPERED GLASS INSERT W/
RICHELIEU HANDLE #458160195,
SEE PAGE 2/F331 FOR
ADDITIONAL HARDWARE SPECS.

ADJUSTABLE SHELF W/ HARDWOOD
TICKET MOULDING FIN. NO. (30) &
P. LAM. FIN. NO. (02A)

PROVIDE BLOCKING AS REQ'D.

HARDWOOD CAP FIN. NO. (30)

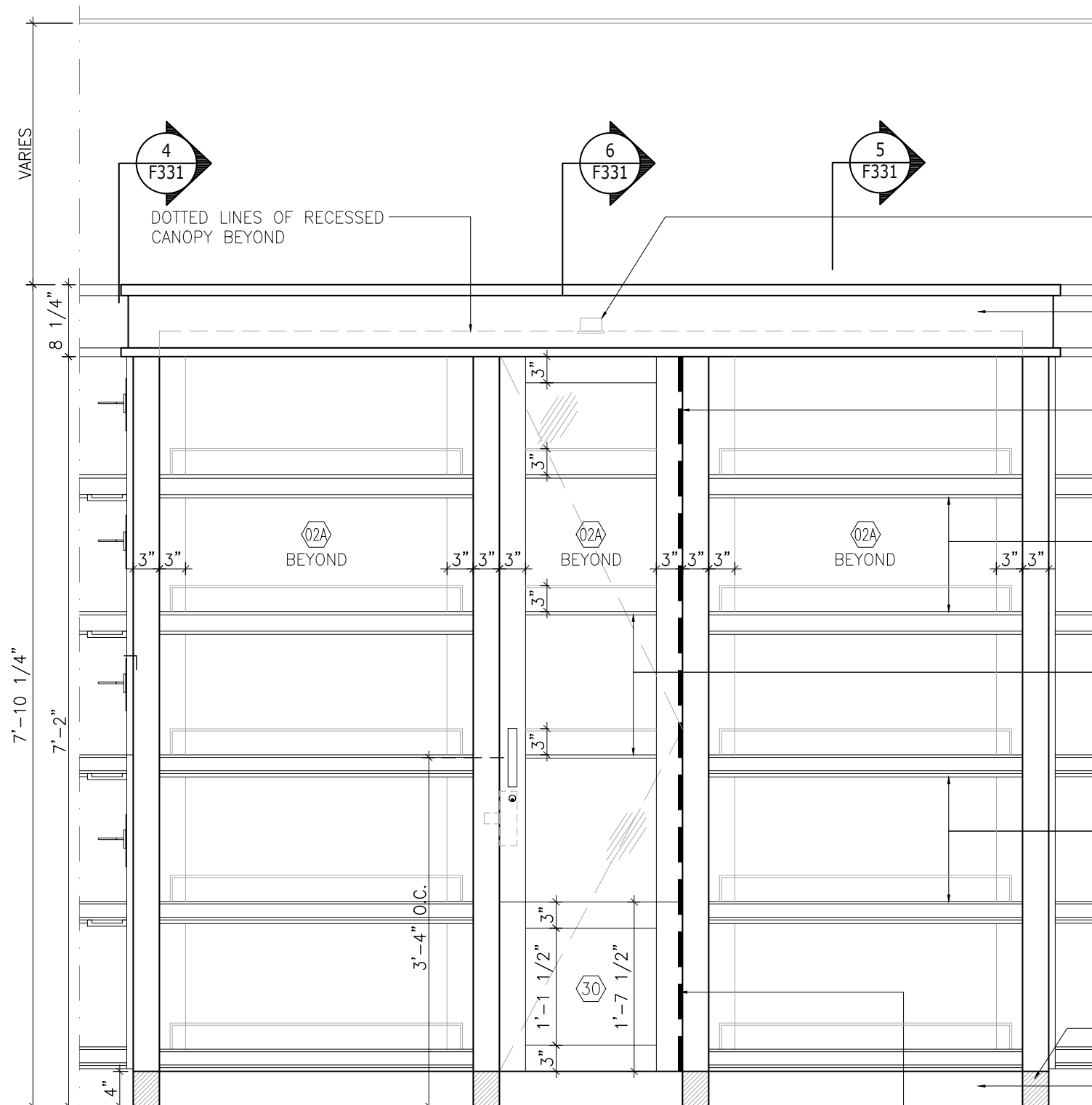
CONTINUOUS PIANO HINGE (BRUSHED
NICKEL). REFER TO 2/F331 FOR SPEC.



3 DETAIL
F331 6" = 1'-0"

1/4" SQ. METAL RAIL FIN. NO. (55)

LCBO	300 VINTAGES	REVISION DATE	REV.	1 of 4	ISSUE DATE	STORE TYPE	STORE #
	WHISKY WALL FIXTURE	2017 NOV	15	F331	2021 APR		



3 ELEVATION
F331 3/4" = 1'-0"

NOTE:
LOCKS FOR F204, F205, F255, F256, F268, F269, F270, F276, F277, F278, F305, F307, F331, F333, F358, F359, F360, F361, F407, F415 AND F416 TO BE KEYED ALIKE

DOTTED LINES OF RECESSED L.E.D. POTLIGHT BEYOND SUPPLIED + INSTALLED BY MILLWORK CONTRACTOR, FINAL CONNECTIONS BY GC.

3/4" THK. PARTICLE BOARD SIGN BAND FIN. NO. (08) W/ HARDWOOD EDGES FIN. NO. (30) & CONCEALED FLUORESCENT LIGHTING, SEE DETAIL '12' DWG. F331

1 3/4" THK. LOCKABLE WOOD FRAMED DOOR FIN. NO. (30) W/ 3/8" (10mm) THK. CLEAR TEMPERED GLASS INSERT W/ RICHELIEU HANDLE #458160195, SEE THIS PAGE FOR ADDITIONAL HARDWARE SPECS.

ADJ. P. LAM. SHELVES FIN. NO. (02A) W/ STRAIGHT HARDWOOD TICKET MOULDING FIN. NO. (30) & 1/4" SQ. METAL RAIL AT BACK OF SHELF FIN. NO. (55)

ADJUSTABLE 3/8" THK. CLEAR TEMP. GLASS SHELF ON ADJUSTABLE METAL SHELF CLIPS #3020180 (NICKEL) BY RICHELIEU C/W 1/4" SQ. METAL RAIL FIN. NO. (55) AT BACK OF SHELF, SEE DET '11', DWG. F331
TOP OF GLASS SHELVES TO ALIGN W/ TOP OF ADJACENT PLYWOOD SHELVES

ADJ. P. LAM. SHELVES FIN. NO. (02A) W/ ANGLED HARDWOOD TICKET MOULDING FIN. NO. (30) & 1/4" SQ. METAL RAIL AT BACK OF SHELF FIN. NO. (55)

NOTE:
SOLID WOOD GRADE TO BE FAS

4" HIGH METAL CORNER GUARD FIN. NO. (55)

RECESSED BASE P. LAM. FIN. NO. (04)

DOTTED LINE OF CONTINUOUS PIANO HINGE (BRUSHED NICKEL). SEE THIS PAGE FOR SPEC.

GENERAL NOTES:
ALL VERTICAL SURFACES ON THE INTERIOR OF THE 'WHISKY' MILLWORK DETAILS (GABLES, BACK PANELS, AND DIVIDERS) ARE TO BE CONSTRUCTED OF PREFINISHED PARTICLE BOARD PANELS W/ MELAMINE FIN. NO. (02A) BOTH SIDES. MILLWORK CONTRACTOR TO PROVIDE HARDWOOD EDGE IN FIN. NO. (30) TO ALL EXPOSED EDGES.

NOTE:
MILLWORK CONTRACTOR TO PROVIDE (1) COAT OF URETHANE SEALER AND (2) TOP COATS OF SATIN LACQUER TO FIN. NO. (30)

MILLWORK CONTRACTOR TO ENSURE THAT ALL SHELVES ARE IN EXACT ALIGNMENT WITH ADJACENT PERIMETER SHELVING.

L.E.D. LIGHTSTRIPS:
PROVIDE 34 @ 12" LENGTH AS INDICATED WITHIN MILLWORK.

LED LIGHTSTRIPS BY TECHNILITE:
MODEL#: L3-32-GI-SEB
LENGTH=12"
OUTPUT=2.4 WATTS / 97 LUMENS PER FT.
COLOUR TEMP. 3200°K
DURATION: 50,000 HRS

RECESSED MINI L.E.D. POTLIGHT BY: JUNO LIGHTING GROUP
MINI LED GIMBAL - 3000°K
#MG1LG2-3K-NFL-SN (SATIN NICKEL)

*ALL L.E.D. LIGHTING AND ASSOCIATED COMPONENTS TO BE SUPPLIED & INSTALLED BY MILLWORK CONTRACTOR, FINAL CONNECTION BY G.C.'S ELECTRICAL SUBTRADE. ENSURE ALL WIRING/DRIVERS ARE CONCEALED FROM CUSTOMER'S VIEW.

HARDWARE SPECIFICATIONS:
ADAM RITE DEADLOCK #ARMS1850S410628
MORTISE CYLINDER #LSM1002SCC26D
1" C/W (2) KEYS CLEAR ANODIZED ALUMINUM FINISH
STRIKE FOR HOOK BOLT #ARMS4001031628
SPACER RING #IL861F2810 - 1/4" THK.
CLEAR ANODIZED ALUMINUM
NOTE: LOCK CYLINDER TO BE SUPPLIED & INSTALLED BY LCBO, FITUP BY G.C.

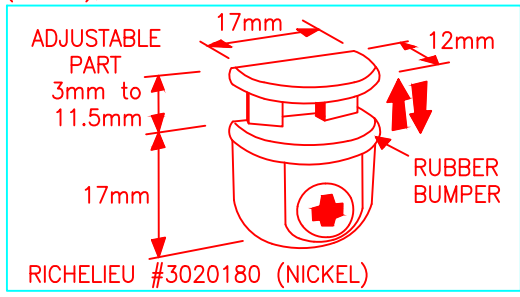
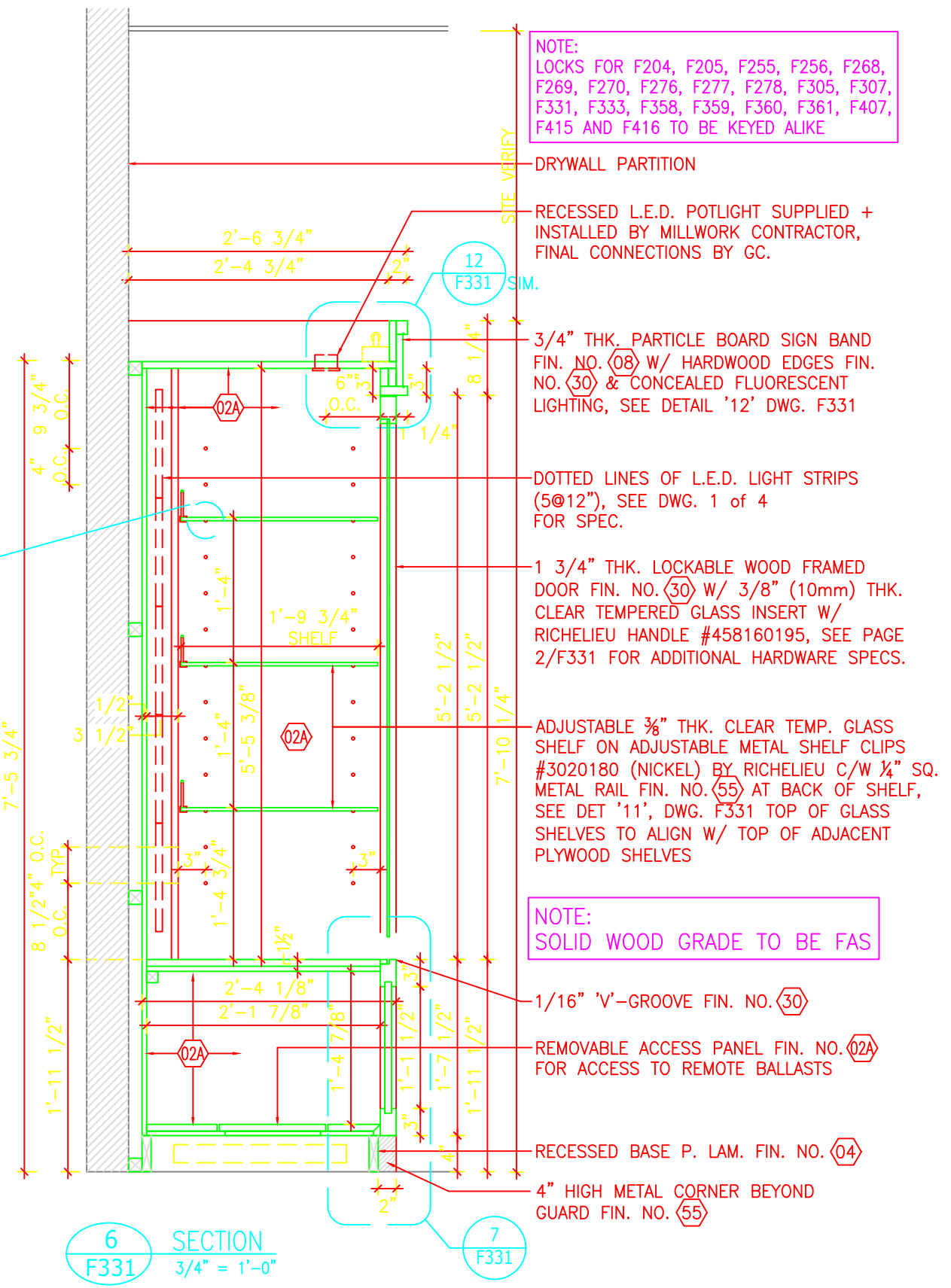
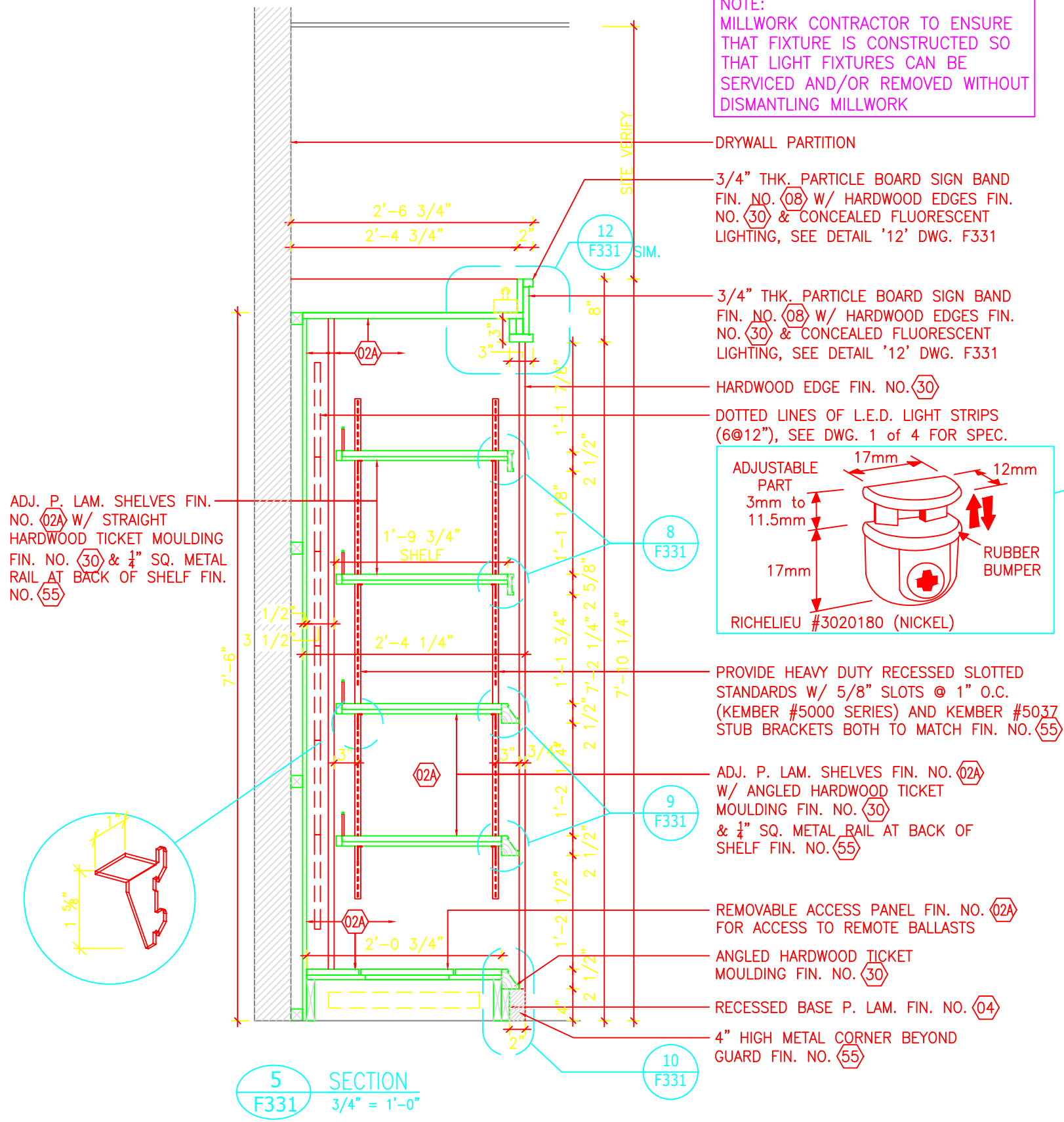
3" .060 GA 8FT LONG CONTINUOUS PIANO HINGE BY RICHELIEU
MODEL: #76096180 (BRUSHED NICKEL FINISH)

DOOR PULL BY RICHELIEU
MODEL: #458160195 (BRUSHED NICKEL FINISH)

LCBO	300 VINTAGES	REVISION DATE	REV.	2 of 4	ISSUE DATE	STORE TYPE	STORE #
	WHISKY WALL FIXTURE	2017 NOV	15	F331	2021 APR		

NOTE:
MILLWORK CONTRACTOR TO ENSURE THAT FIXTURE IS CONSTRUCTED SO THAT LIGHT FIXTURES CAN BE SERVICED AND/OR REMOVED WITHOUT DISMANTLING MILLWORK

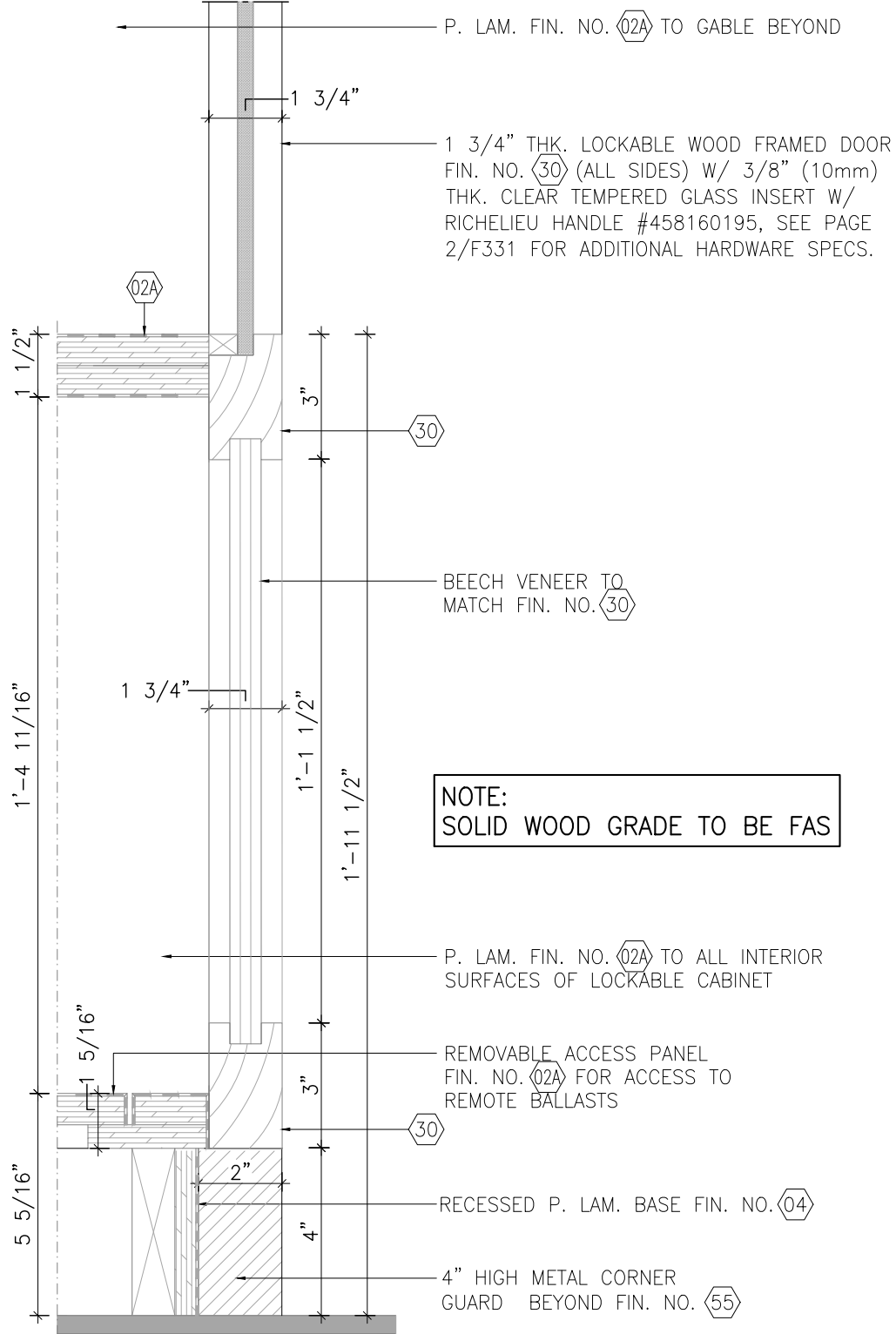
NOTE:
LOCKS FOR F204, F205, F255, F256, F268, F269, F270, F276, F277, F278, F305, F307, F331, F333, F358, F359, F360, F361, F407, F415 AND F416 TO BE KEYPED ALIKE



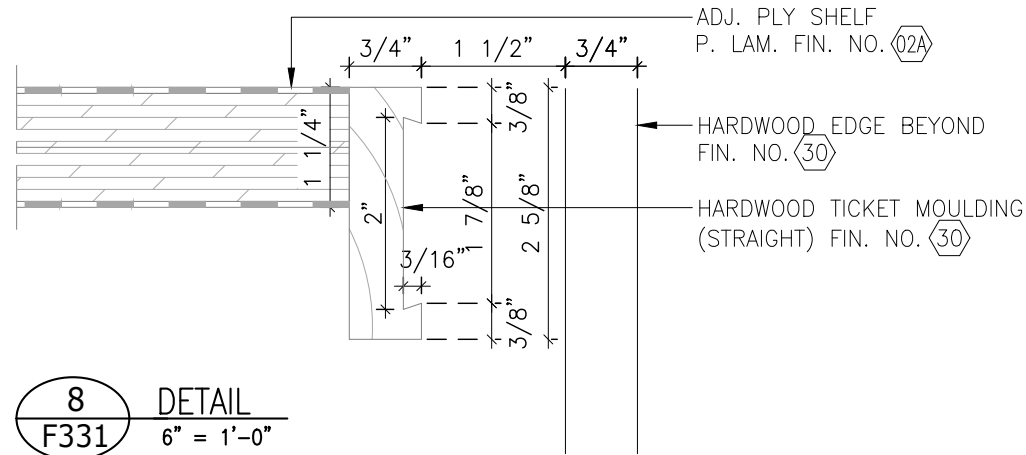
ADJ. P. LAM. SHELVES FIN. NO. (02A) W/ STRAIGHT HARDWOOD TICKET MOULDING FIN. NO. (30) & 1/4\"/>

NOTE:
SOLID WOOD GRADE TO BE FAS

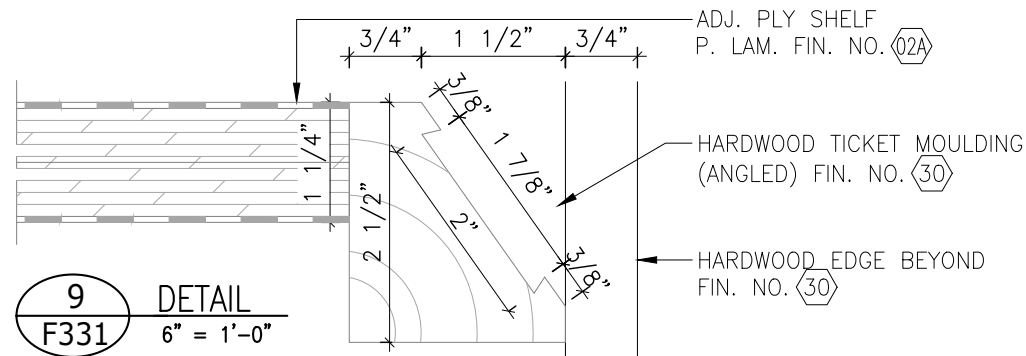
LCBO	300 VINTAGES	REVISION DATE	REV.	3 of 4	ISSUE DATE	STORE TYPE	STORE #
	WHISKY WALL FIXTURE	2017 NOV	15	F331	2021 APR		



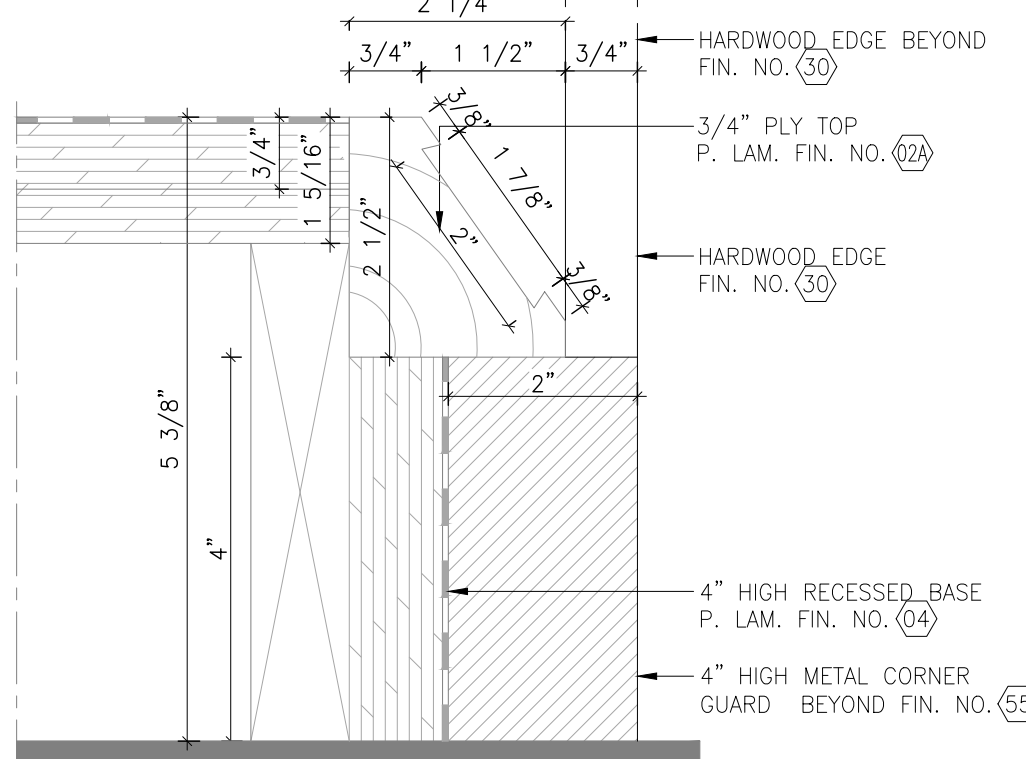
7 DETAIL
F331 3" = 1'-0"



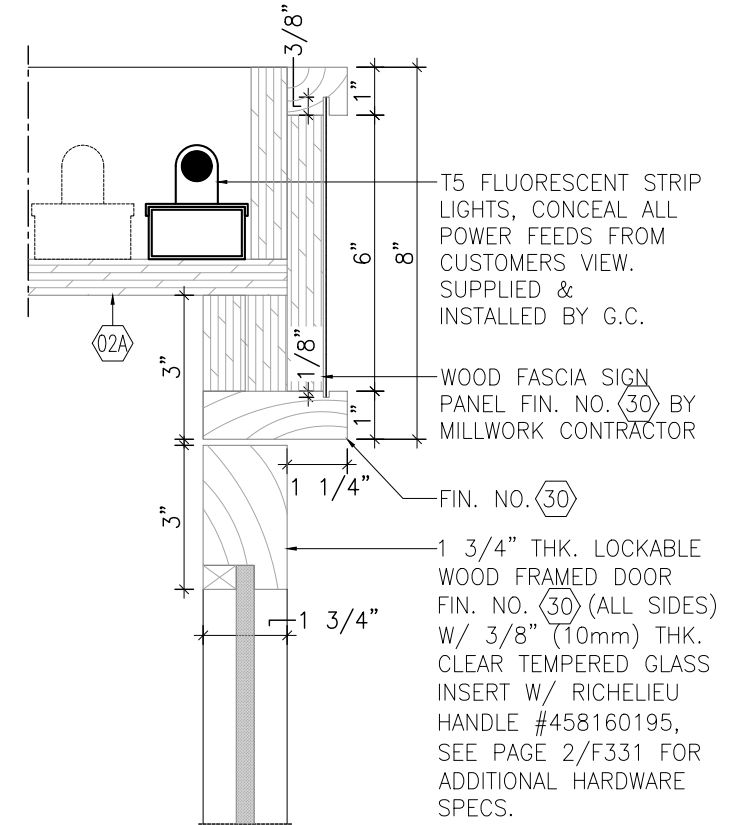
8 DETAIL
F331 6" = 1'-0"



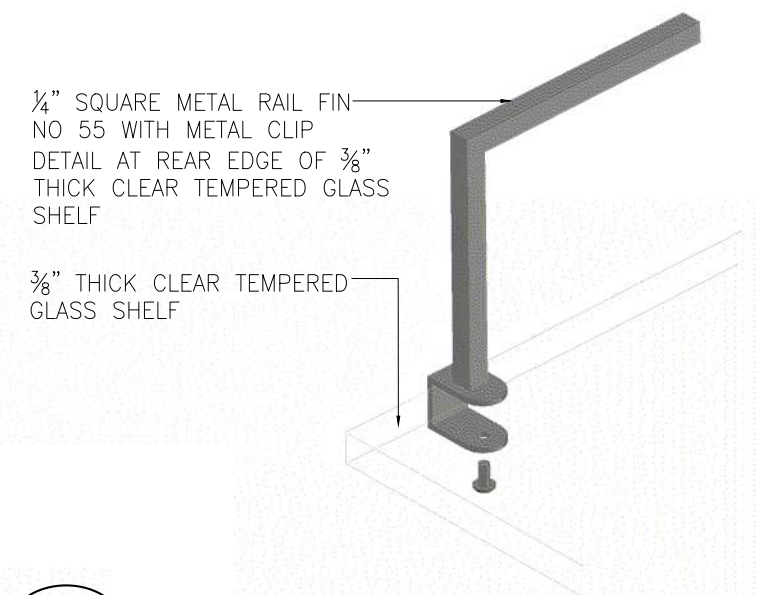
9 DETAIL
F331 6" = 1'-0"



10 DETAIL
F331 6" = 1'-0"

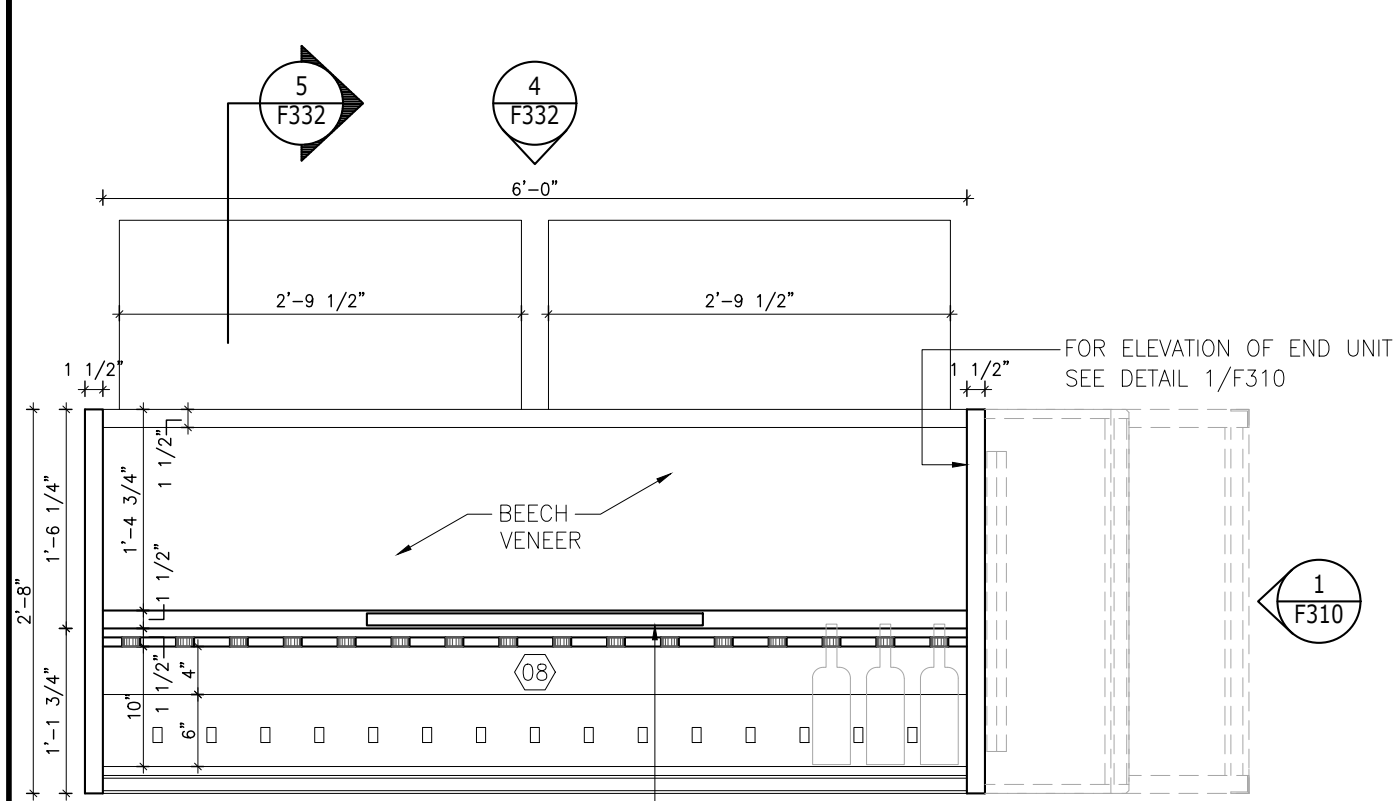


12 DETAIL
F331 3" = 1'-0"



11 ISOMETRIC DETAIL
F331 N.T.S.

LCBO	300 VINTAGES	REVISION DATE	REV.	4 of 4	ISSUE DATE	STORE TYPE	STORE #
	WHISKY WALL FIXTURE	2017 NOV	15	F331	2021 APR		



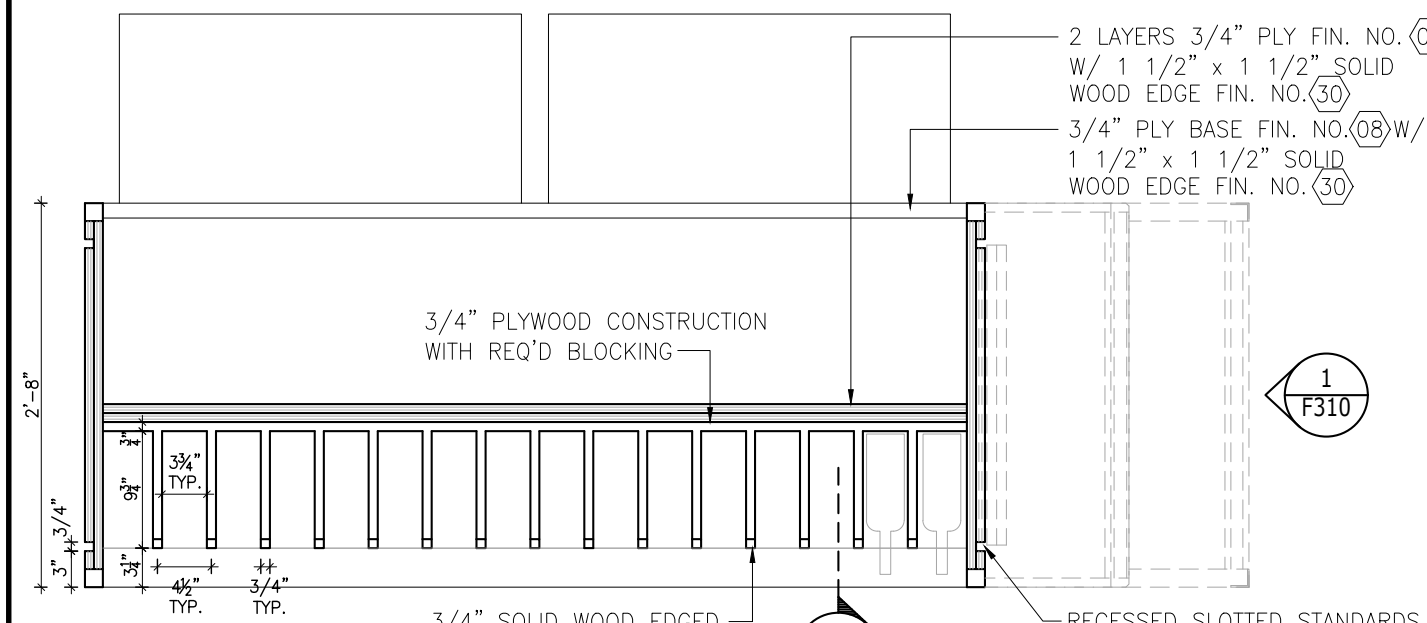
1 PLAN
F332 3/4" = 1'-0"

3 F332

VINTAGES CATEGORY SIGN, F317
ENSURE ROD LOCATIONS DO NOT
INTERFERE W/ BOTTLE NECKS

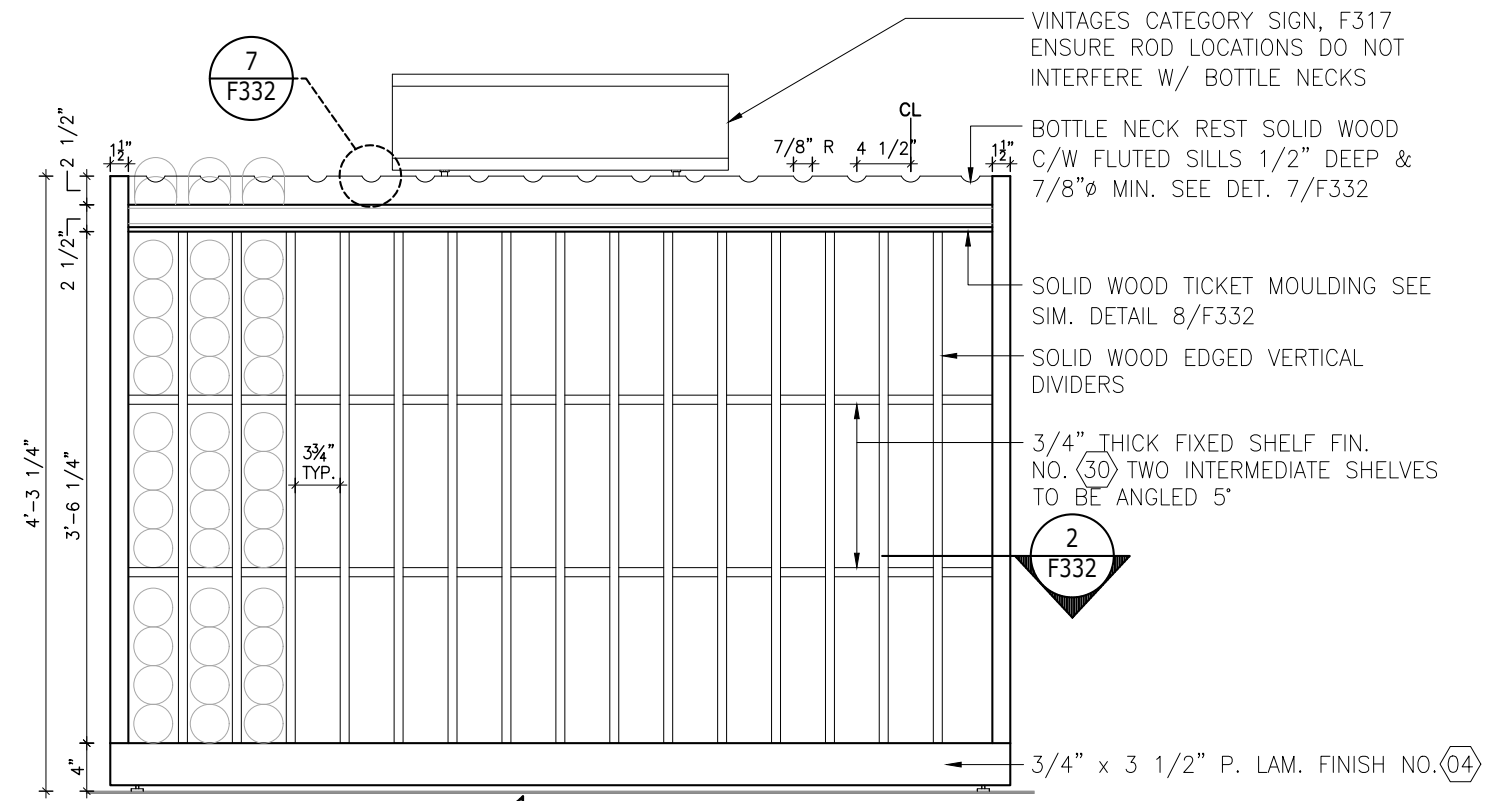
NOTE: THIS UNIT TO BE
FABRICATED KNOCK DOWN IN
SECTIONS TO FIT THROUGH
36" WIDE MAX. DOOR

2 LAYERS 3/4" PLY FIN. NO. (08)
W/ 1 1/2" x 1 1/2" SOLID
WOOD EDGE FIN. NO. (30)
3/4" PLY BASE FIN. NO. (08) W/
1 1/2" x 1 1/2" SOLID
WOOD EDGE FIN. NO. (30)



2 PLAN
F332 3/4" = 1'-0"

5 F332



3 ELEVATION
F332 3/4" = 1'-0"

5 F332

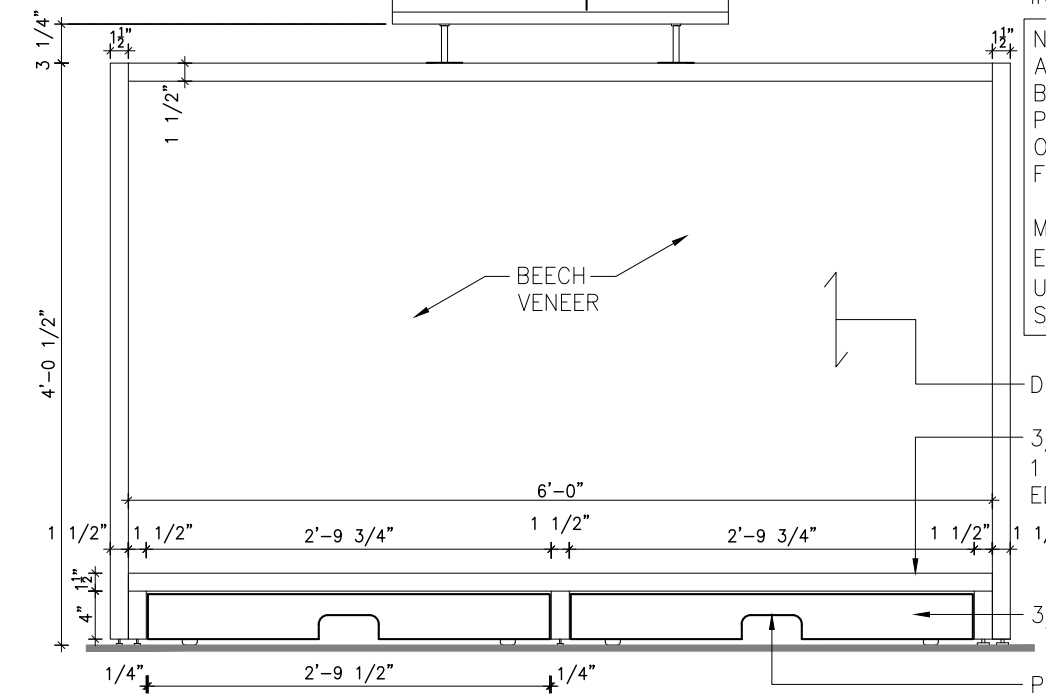
NOTE:
SOLID WOOD GRADE TO BE FAS

VINTAGES CATEGORY SIGN, F317
ENSURE ROD LOCATIONS DO NOT
INTERFERE W/ BOTTLE NECKS

NOTE:
ALL UNITS TO BE CONSTRUCTED OF
BEECH SOLID WOOD FIN. NO. (30) &
PLYWOOD WITH FIN. NO. (08) UNLESS
OTHERWISE NOTED. SEE DWG. F311 &
F312 FOR PRODUCT RISERS.

MILLWORK CONTRACTOR TO PROVIDE
EXTERIOR FINISH - (1) COAT CLEAR
URETHANE SEALER AND (2) COATS
SATIN LACQUER TO FIN. NO. (30)

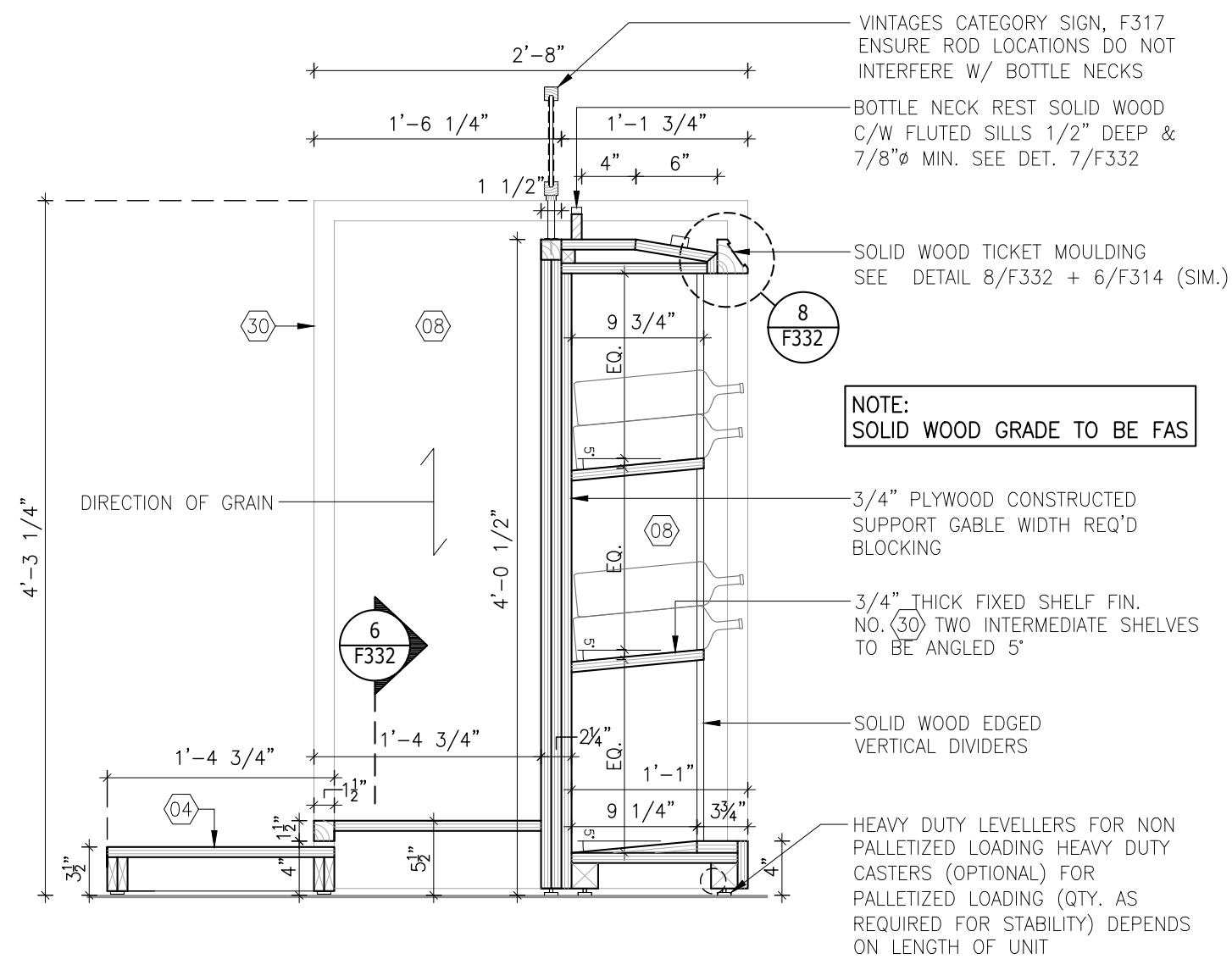
DIRECTION OF GRAIN
3/4" PLY BASE FIN. NO. (08) W/
1 1/2" x 1 1/2" SOLID
WOOD
EDGE FIN. NO. (30)



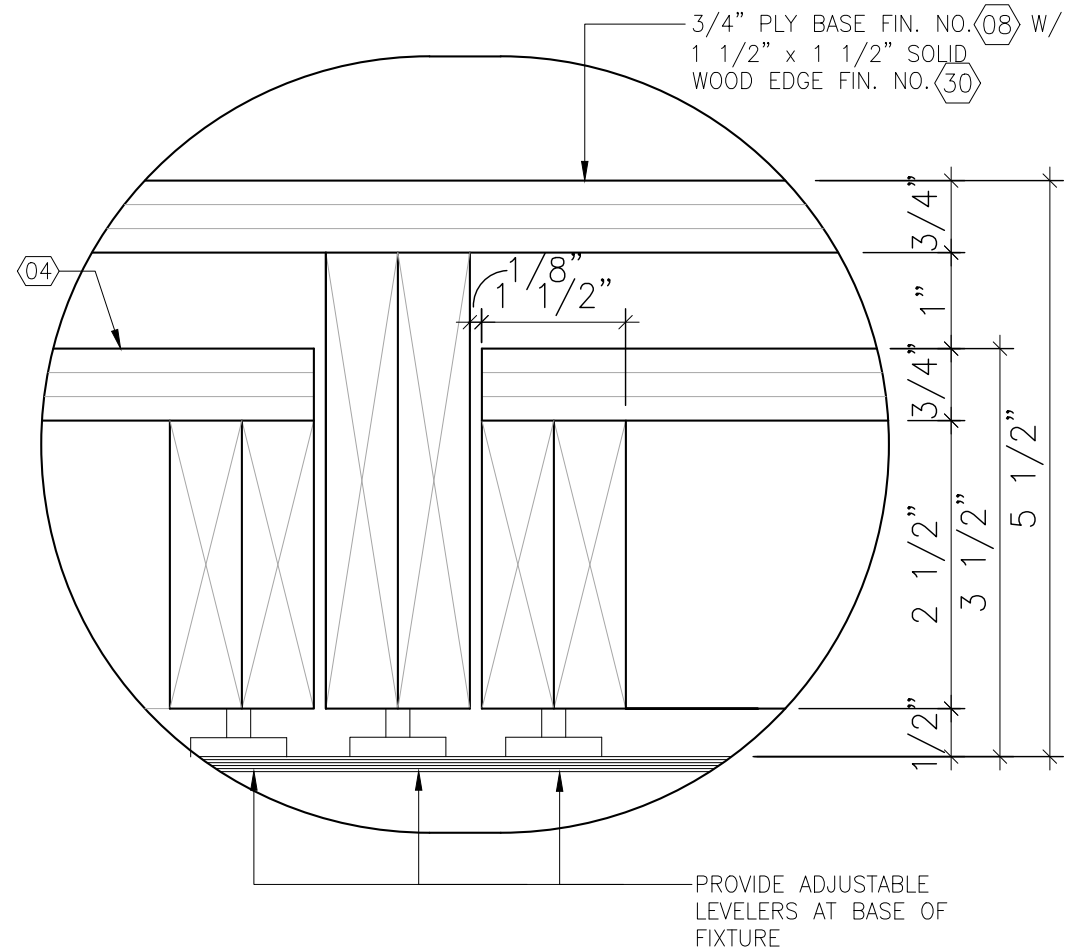
4 ELEVATION
F332 3/4" = 1'-0"

3/4" PLY BASE FIN. NO. (04)
PROVIDE 2" x 5" HANDLING
CUT-OUTS W/ 3/4" RADIUS
TO INSIDE CORNERS

LCBO	300 VINTAGES	REVISION DATE	REV.	1 of 2	ISSUE DATE	STORE TYPE	STORE #
	VINTAGES HALF TROLLEY/RELEASE PLINTH	2017 NOV	15	F332	2021 APR		



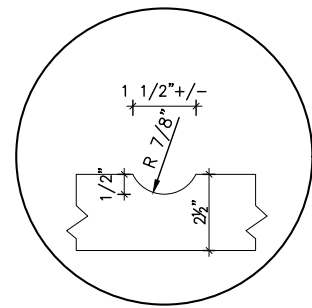
NOTE:
SOLID WOOD GRADE TO BE FAS



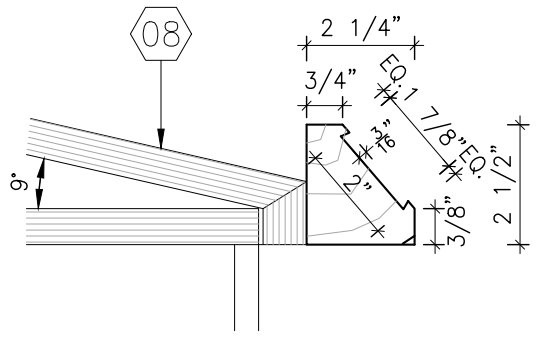
NOTE: PROVIDE STOPPER AT BACK OF PLINTH. PLINTH TO BE REMOVABLE SIMILAR TO DETAIL ON DRAWING F212 & F213.

5 SECTION
F332 1" = 1'-0"

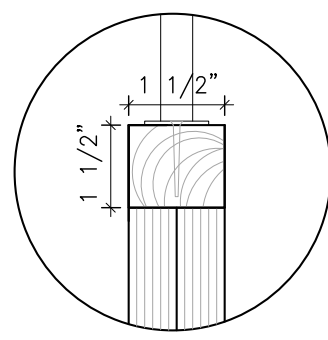
6 DETAIL
F332 6" = 1'-0"



7 DETAIL (BOTTLE NECKREST)
F332 N.T.S.

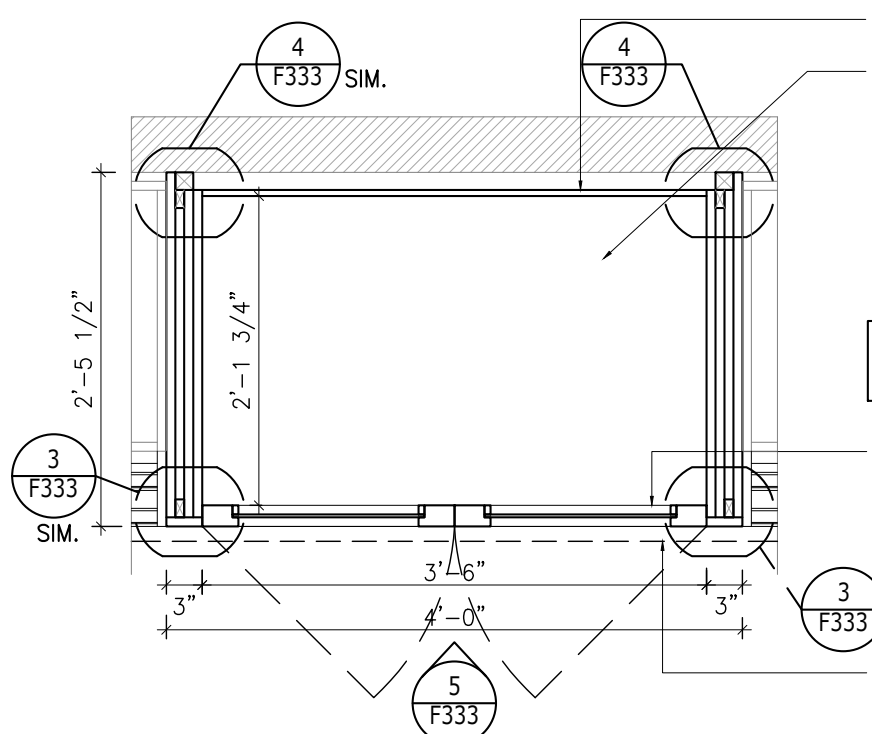


8 SECTION
F332 N.T.S.



9 SECTION
F332 1" = 1'-0"

LCBO	300 VINTAGES	REVISION DATE	REV.	2 of 2	ISSUE DATE	STORE TYPE	STORE #
	VINTAGES HALF TROLLEY/RELEASE PLINTH	2017 NOV	15	F332	2021 APR		



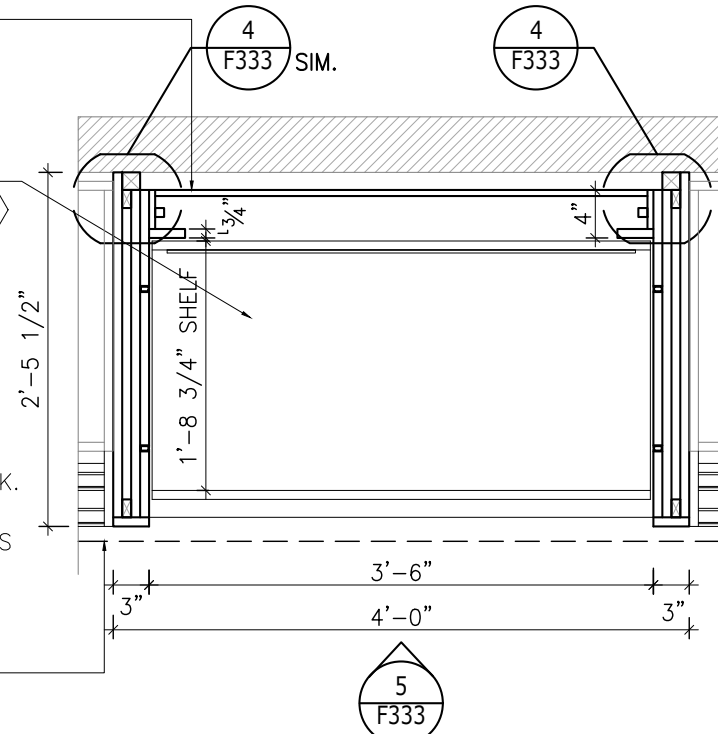
1 PLAN-SECTION
F333 3/4" = 1'-0"

1/2" THK. P. LAM. PANEL FIN. NO. **(02A)**
 FIXED P. LAM. SHELF FIN. NO. **(02A)**
 W/ STRAIGHT HARDWOOD TICKET
 MOULDING FIN. NO. **(30)**
 ADJ. P. LAM. SHELVES FIN. NO. **(02A)** W/
 HARDWOOD TICKET MOULDING FIN. NO. **(30)**
 & 1/4" SQ. METAL RAIL AT BACK OF
 SHELF FIN. NO. **(55)**

NOTE:
 SOLID WOOD GRADE TO BE FAS

1 3/4" THK. LOCKABLE WOOD FRAMED
 DOOR FIN. NO. **(30)** W/ 3/8" (10mm) THK.
 CLEAR TEMPERED GLASS INSERT W/
 RICHELIEU HANDLE #458160195, SEE THIS
 PAGE FOR ADDITIONAL HARDWARE SPECS.

DOTTED LINE OF WOOD FASCIA ABOVE



2 PLAN-SECTION
F333 3/4" = 1'-0"

GENERAL NOTES:
 ALL VERTICAL SURFACES ON THE INTERIOR OF THE 'WHISKY' MILLWORK
 DETAILS (GABLES, BACK PANELS, AND DIVIDERS) ARE TO BE CONSTRUCTED OF
 PREFINISHED PARTICLE BOARD PANELS W/ MELAMINE FIN. NO. **(02A)** BOTH
 SIDES. MILLWORK CONTRACTOR TO PROVIDE HARDWOOD EDGE IN FIN. NO. **(30)**
 TO ALL EXPOSED EDGES.

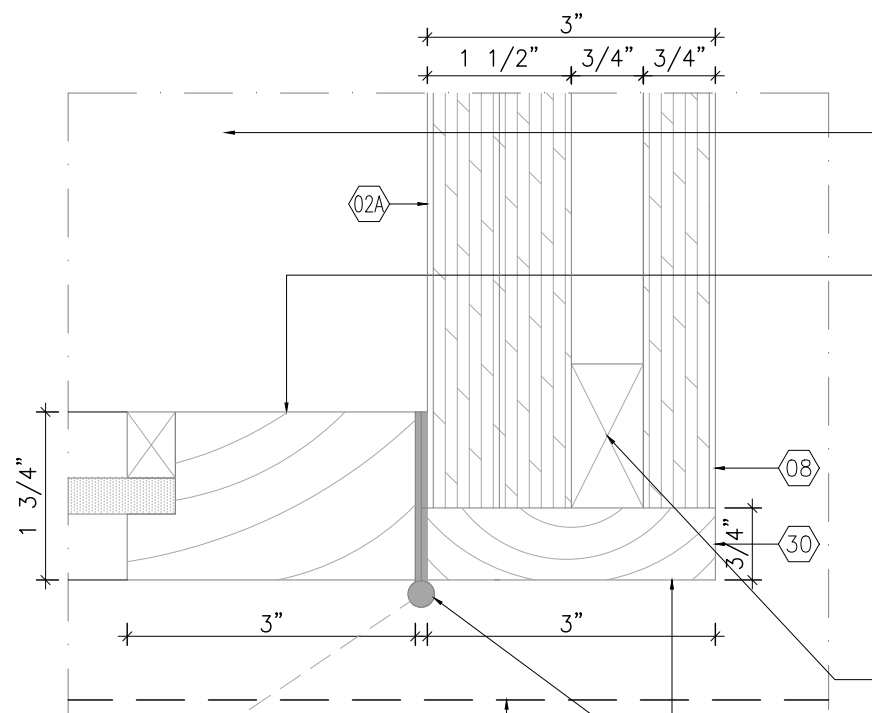
NOTE:
 MILLWORK CONTRACTOR TO PROVIDE (1) COAT OF URETHANE SEALER AND
 (2) TOP COATS OF SATIN LACQUER TO FIN. NO. **(30)**

MILLWORK CONTRACTOR TO ENSURE THAT ALL SHELVES ARE IN EXACT
 ALIGNMENT WITH ADJACENT PERIMETER SHELIVING.

L.E.D. LIGHTSTRIPS:
 PROVIDE 12 @ 12" LENGTH AS INDICATED WITHIN MILLWORK.

LED LIGHTSTRIPS BY TECHNILITE:
 MODEL#: L3-32-GI-SEB
 LENGTH=12"
 OUTPUT=2.4 WATTS / 97 LUMENS PER FT.
 COLOUR TEMP. 3200°K
 DURATION: 50,000 HRS

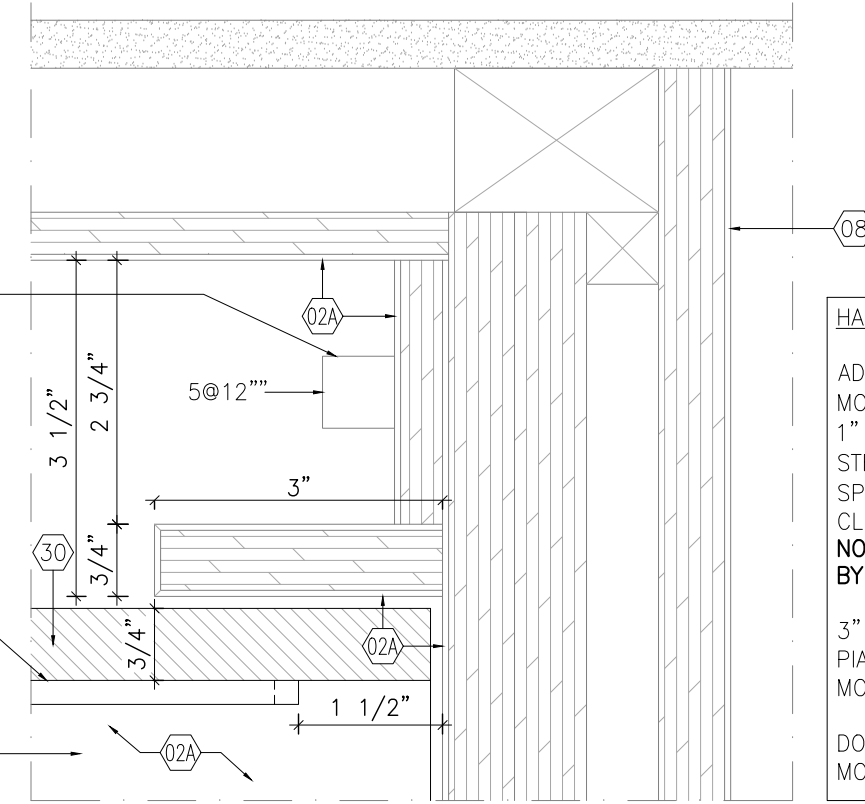
*ALL L.E.D. LIGHTING AND ASSOCIATED COMPONENTS TO BE SUPPLIED &
 INSTALLED BY MILLWORK CONTRACTOR, FINAL CONNECTION BY G.C.'S
 ELECTRICAL SUBTRADE. ENSURE ALL WIRING/DRIVERS ARE CONCEALED FROM
 CUSTOMER'S VIEW.



3 DETAIL
F333 6" = 1'-0"

FIXED SHELF W/ STRAIGHT HARDWOOD
 TICKET MOULDING FIN. NO. **(30)** &
 P. LAM. FIN. NO. **(02A)**
 L.E.D. STRIPLIGHTS, SEE SPEC.
 THIS PAGE
 1 3/4" THK. LOCKABLE WOOD FRAMED
 DOOR FIN. NO. **(30)** W/ 3/8" (10mm)
 THK. CLEAR TEMPERED GLASS INSERT
 W/ RICHELIEU HANDLE #458160195,
 SEE THIS PAGE FOR ADDITIONAL
 HARDWARE SPECS.

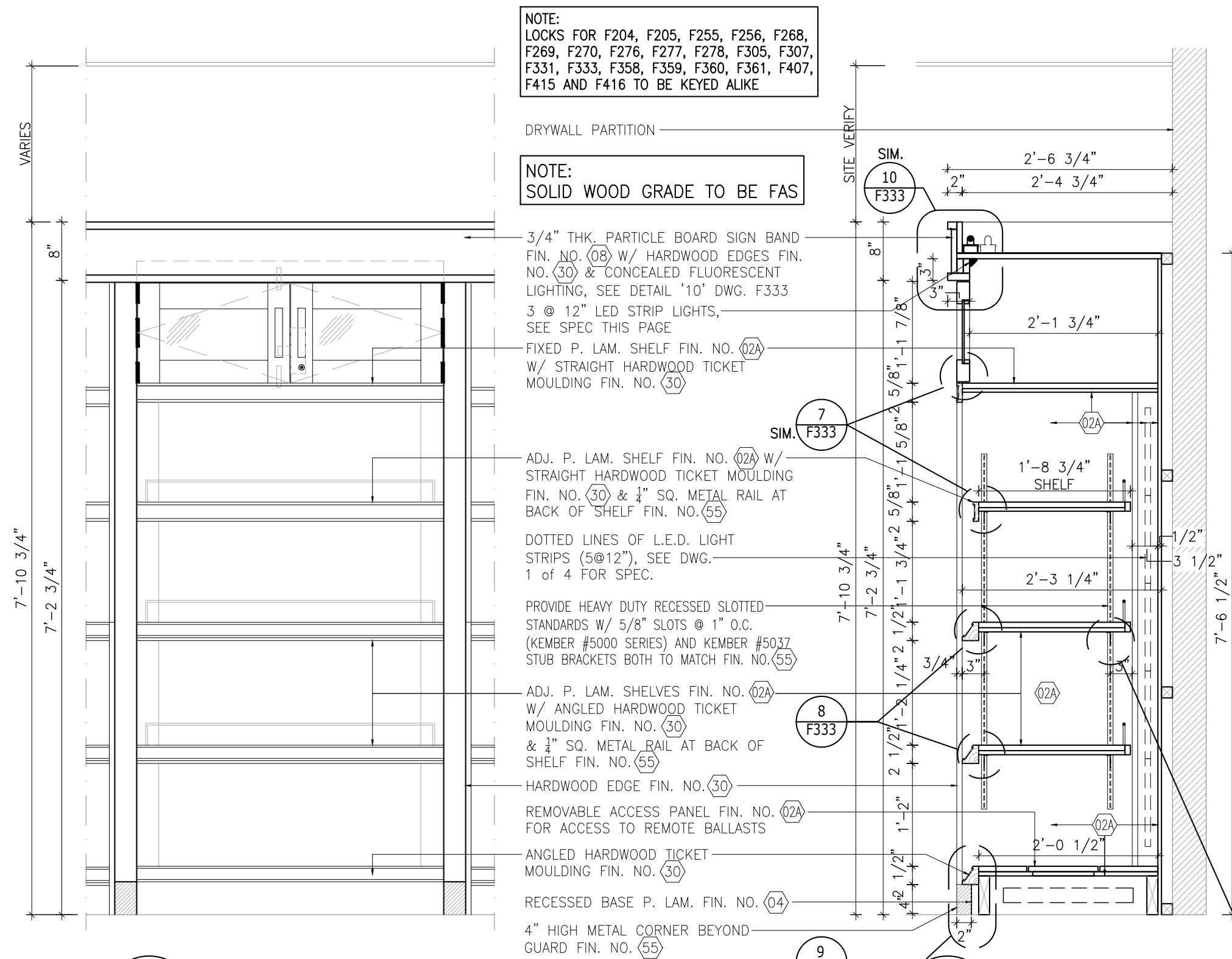
1/4" SQ. METAL RAIL FIN. NO. **(55)**
 ADJUSTABLE SHELF W/ HARDWOOD
 TICKET MOULDING FIN. NO. **(30)** &
 P. LAM. FIN. NO. **(02A)**
 PROVIDE BLOCKING AS REQ'D.
 HARDWOOD CAP FIN. NO. **(30)**
 CONTINUOUS PIANO HINGE (BRUSHED
 NICKEL). SEE SPEC. THIS PAGE
 DOTTED LINES OF FASCIA SIGN BAND
 ABOVE FIN. NO. **(08)**



4 DETAIL
F333 6" = 1'-0"

HARDWARE SPECIFICATIONS:
 ADAM RITE DEADLOCK #ARMS1850S410628
 MORTISE CYLINDER #LSM1002SCC26D
 1" C/W (2) KEYS CLEAR ANODIZED ALUMINUM FINISH
 STRIKE FOR HOOK BOLT #ARMS4001031628
 SPACER RING #IL861F2810 - 1/4" THK.
 CLEAR ANODIZED ALUMINUM
**NOTE: LOCK CYLINDER TO BE SUPPLIED & INSTALLED
 BY LCBO, FITUP BY G.C.**
 3" .060 GA 8FT LONG CONTINUOUS
 PIANO HINGE BY RICHELIEU
 MODEL: #76096180 (BRUSHED NICKEL FINISH)
 DOOR PULL BY RICHELIEU
 MODEL: #458160195 (BRUSHED NICKEL FINISH)

LCBO	300 VINTAGES	REVISION DATE	REV.	1 of 3	ISSUE DATE	STORE TYPE	STORE #
	4'-0" VINTAGES WHISKY WALL FIXTURE	2017 NOV	15	F333	2021 APR		



5 ELEVATION
F333 3/4" = 1'-0"

6 SECTION
F333 3/4" = 1'-0"

NOTE:
LOCKS FOR F204, F205, F255, F256, F268, F269, F270, F276, F277, F278, F305, F307, F331, F333, F358, F359, F360, F361, F407, F415 AND F416 TO BE KEYED ALIKE

NOTE:
SOLID WOOD GRADE TO BE FAS

GENERAL NOTES:
ALL VERTICAL SURFACES ON THE INTERIOR OF THE 'WHISKY' MILLWORK DETAILS (GABLES, BACK PANELS, AND DIVIDERS) ARE TO BE CONSTRUCTED OF PREFINISHED PARTICLE BOARD PANELS W/ MELAMINE FIN. NO. (02A) BOTH SIDES. MILLWORK CONTRACTOR TO PROVIDE HARDWOOD EDGE IN FIN. NO. (30) TO ALL EXPOSED EDGES.

NOTE:
MILLWORK CONTRACTOR TO PROVIDE (1) COAT OF URETHANE SEALER AND (2) TOP COATS OF SATIN LACQUER TO FIN. NO. (30)

MILLWORK CONTRACTOR TO ENSURE THAT ALL SHELVES ARE IN EXACT ALIGNMENT WITH ADJACENT PERIMETER SHELVING.

L.E.D. LIGHTSTRIPS:
PROVIDE 12 @ 12" LENGTH AS INDICATED WITHIN MILLWORK.

LED LIGHTSTRIPS BY TECHNILITE:
MODEL#: L3-32-GI-SEB
LENGTH=12"
OUTPUT=2.4 WATTS / 97 LUMENS PER FT.
COLOUR TEMP. 3200°K
DURATION: 50,000 HRS

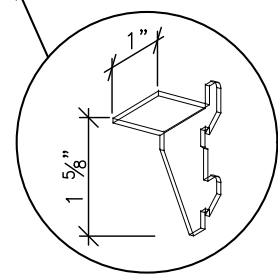
*ALL L.E.D. LIGHTING AND ASSOCIATED COMPONENTS TO BE SUPPLIED & INSTALLED BY MILLWORK CONTRACTOR, FINAL CONNECTION BY G.C.'S ELECTRICAL SUBTRADE. ENSURE ALL WIRING/DRIVERS ARE CONCEALED FROM CUSTOMER'S VIEW.

HARDWARE SPECIFICATIONS:

ADAM RITE DEADLOCK #ARMS1850S410628
MORTISE CYLINDER #LSM1002SCC26D
1" C/W (2) KEYS CLEAR ANODIZED ALUMINUM FINISH
STRIKE FOR HOOK BOLT #ARMS4001031628
SPACER RING #IL861F2810 - 1/4" THK.
CLEAR ANODIZED ALUMINUM
NOTE: LOCK CYLINDER TO BE SUPPLIED & INSTALLED BY LCBO, FITUP BY G.C.

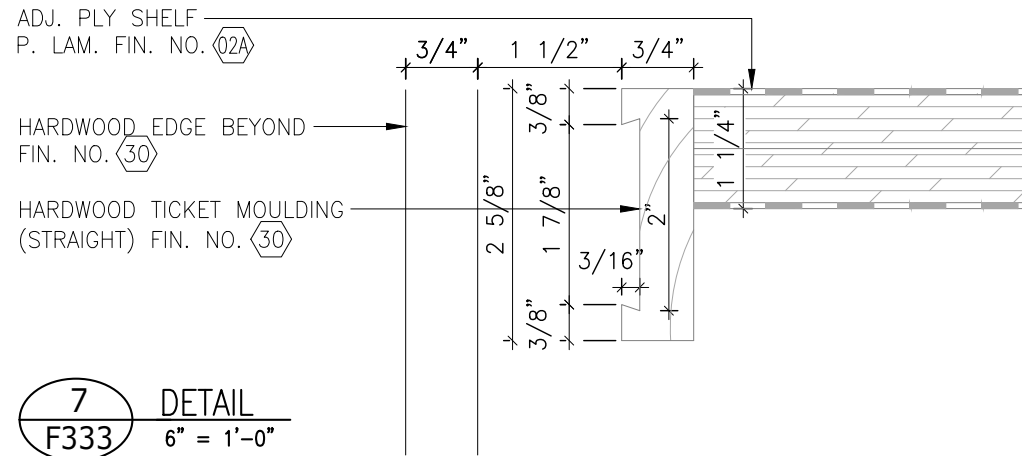
3" .060 GA 8FT LONG CONTINUOUS
PIANO HINGE BY RICHELIEU
MODEL: #76096180 (BRUSHED NICKEL FINISH)

DOOR PULL BY RICHELIEU
MODEL: #458160195 (BRUSHED NICKEL FINISH)

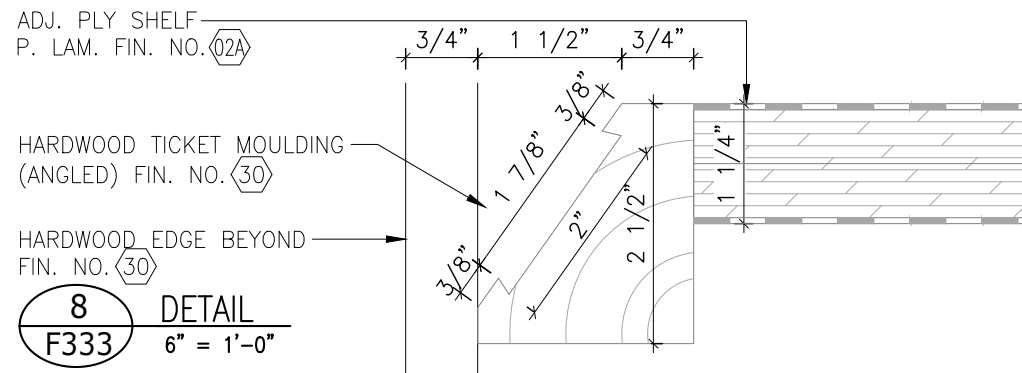


NOTE:
MILLWORK CONTRACTOR TO ENSURE THAT FIXTURE IS CONSTRUCTED SO THAT LIGHT FIXTURES CAN BE SERVICED AND/OR REMOVED WITHOUT DISMANTLING MILLWORK

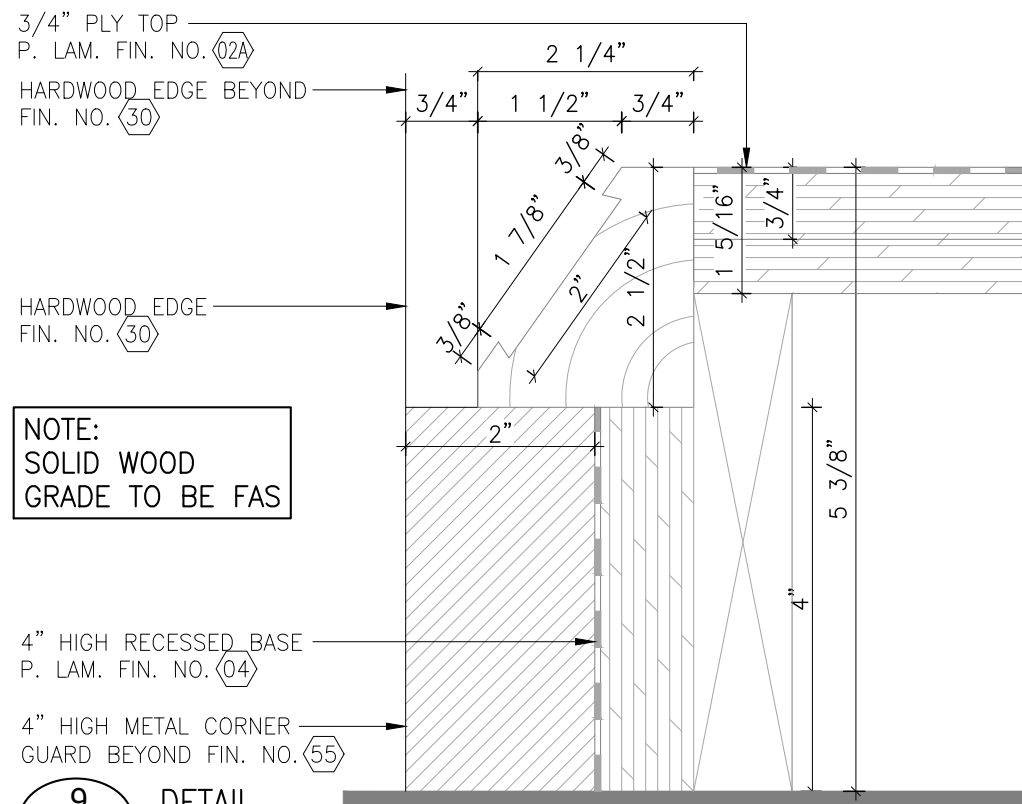
LCBO	300 VINTAGES	REVISION DATE	REV.	2 of 3	ISSUE DATE	STORE TYPE	STORE #
	4'-0" VINTAGES WHISKY WALL FIXTURE	2017 NOV	15	F333	2021 APR		



7 DETAIL
F333 6" = 1'-0"

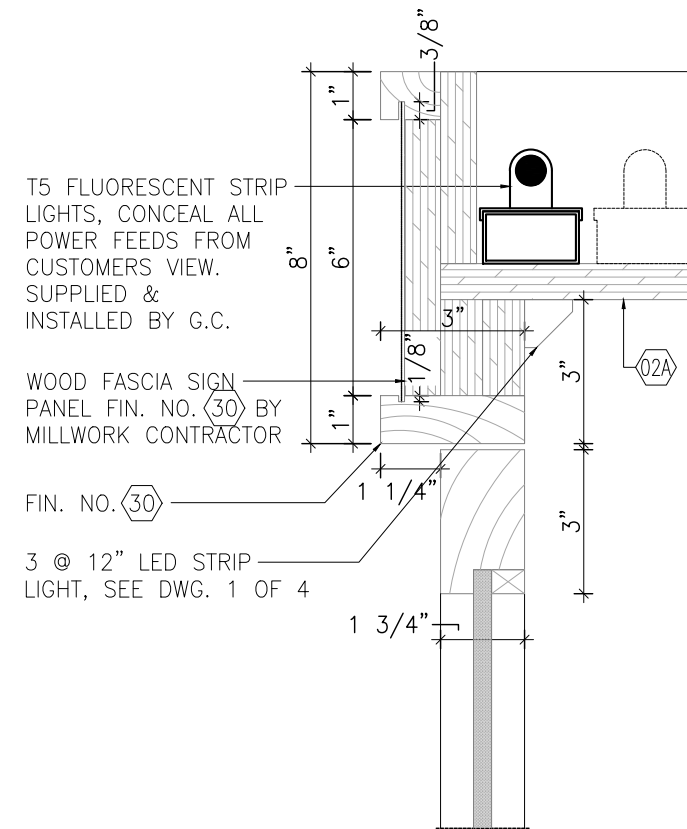


8 DETAIL
F333 6" = 1'-0"



9 DETAIL
F333 6" = 1'-0"

NOTE:
SOLID WOOD
GRADE TO BE FAS

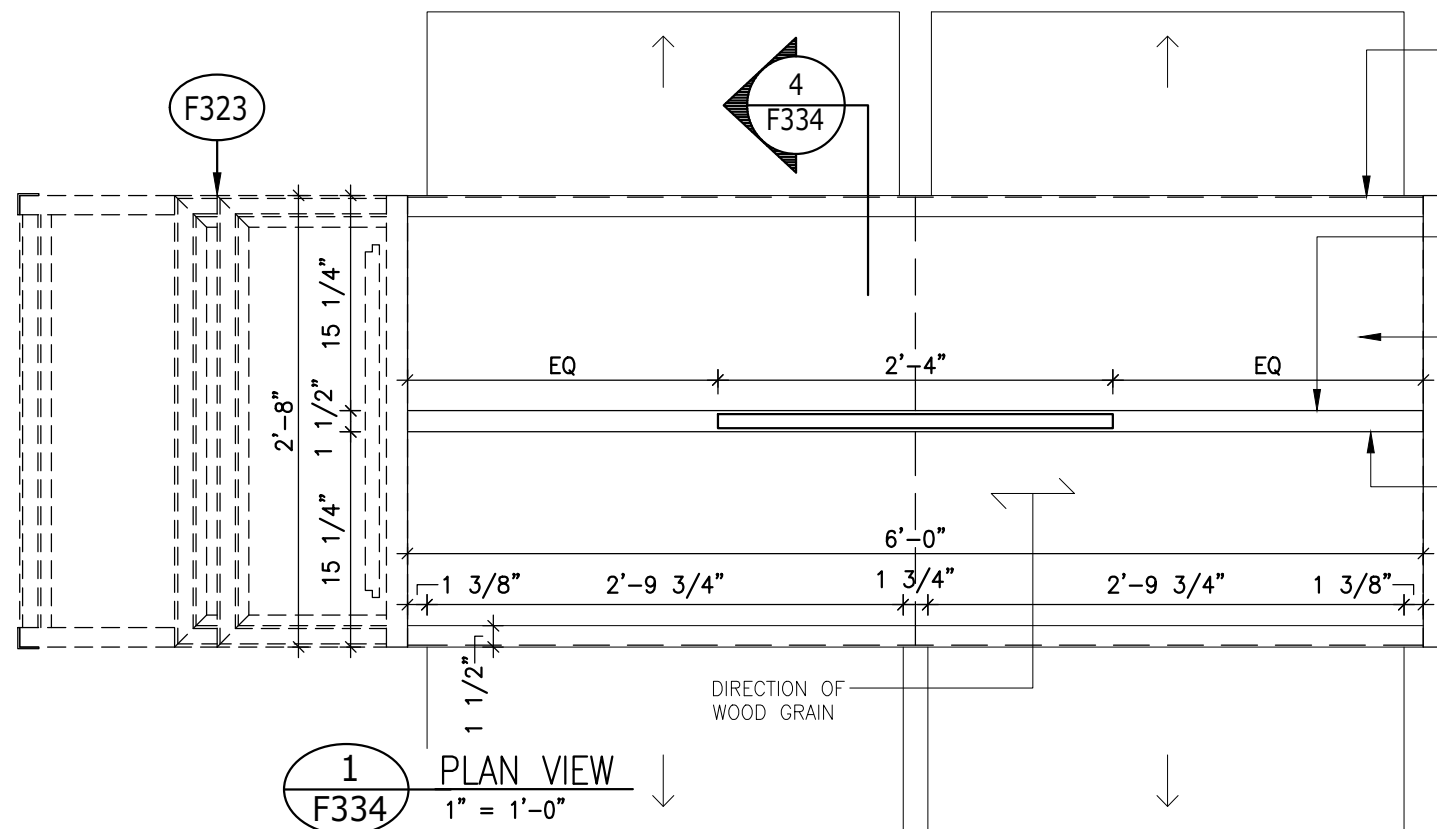


10 DETAIL
F333 3" = 1'-0"

LCBO

300 VINTAGES
4'-0" VINTAGES WHISKY WALL FIXTURE

REVISION DATE	REV.	3 of 3	ISSUE DATE	STORE TYPE	STORE #
2017 NOV	15	F333	2021 APR		



ADJ. P. LAM. SHELVES FIN. NO. (08)
C/W HARDWOOD TICKET MOULDING
FIN. NO. (30) ON HEAVY DUTY
METAL BRACKETS FIN. NO. (55)

2 LAYERS 3/4" PLY FIN. NO. (08)
W/ 1 1/2" x 1 1/2" SOLID
WOOD EDGE FIN. NO. (30)

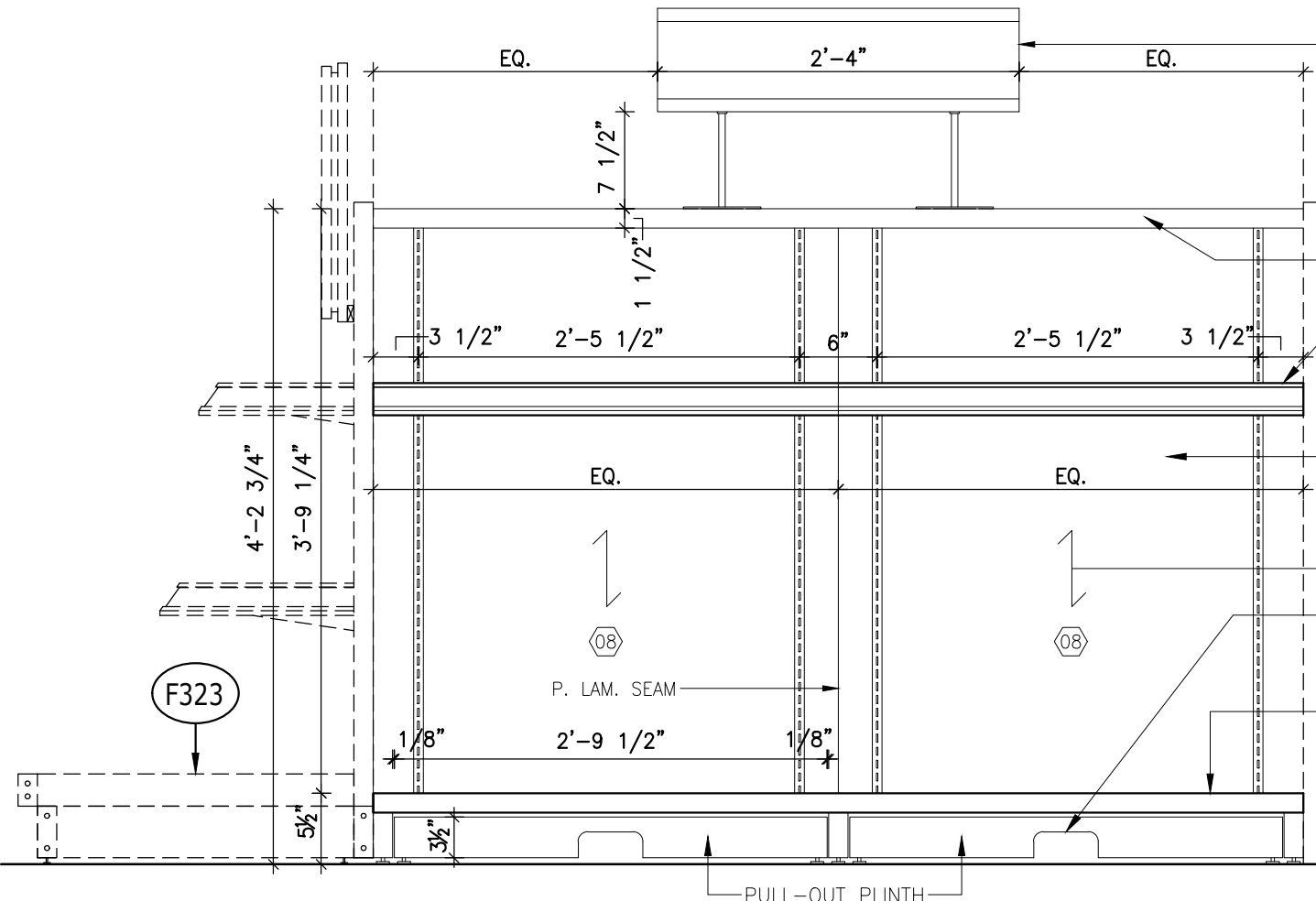
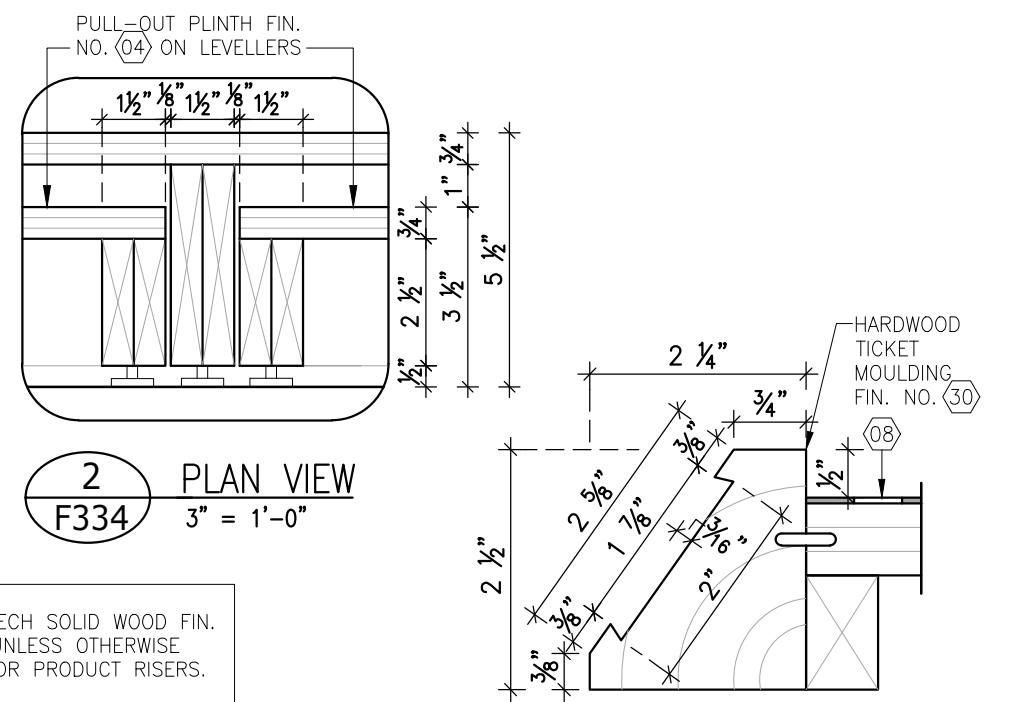
3/4" PLY BASE FIN. NO. (08) ON
HEAVY DUTY ADJ. LEVELLERS W/
1 1/2" x 1 1/2" SOLID
WOOD EDGE FIN. NO. (30)

1 1/2" x 1 1/2" SOLID
WOOD EDGE FIN. NO. (30)

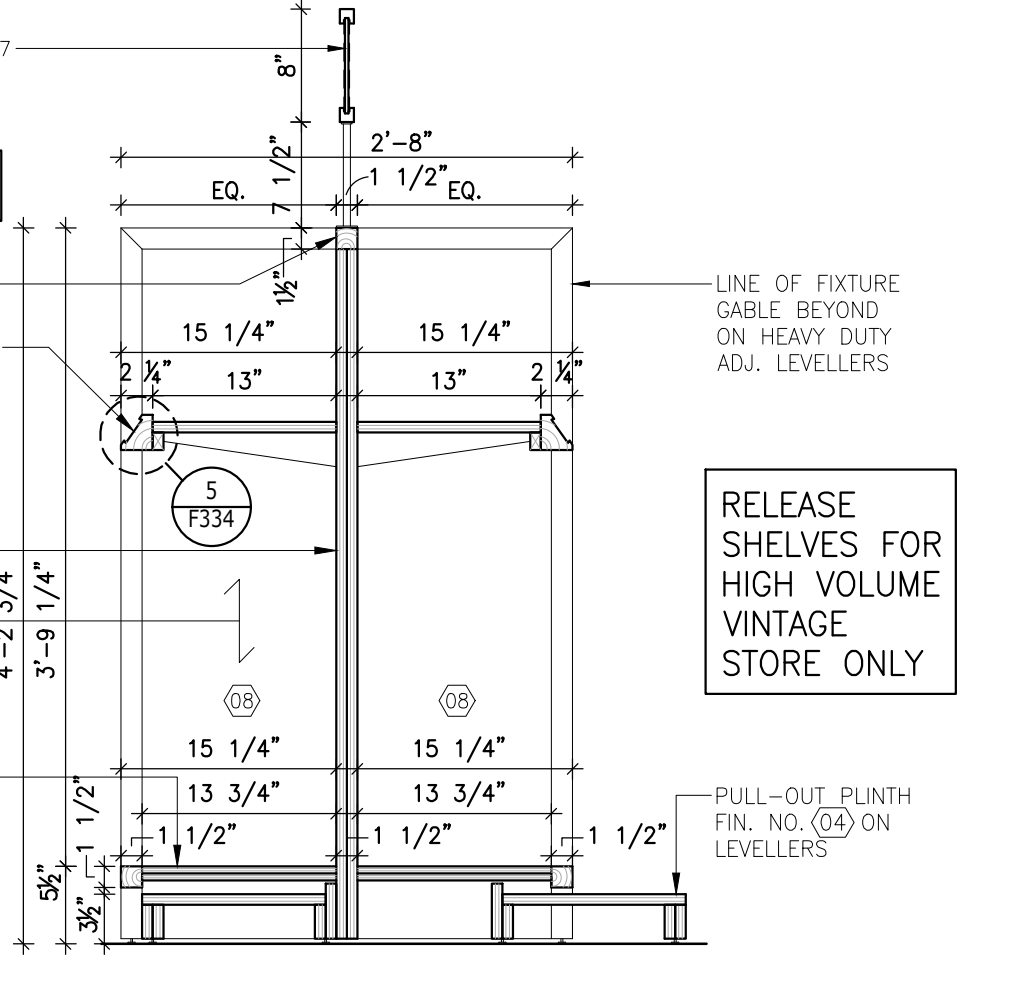
NOTE:
ALL UNITS TO BE CONSTRUCTED OF BEECH SOLID WOOD FIN.
NO. (30) & PLYWOOD WITH FIN. NO. (08) UNLESS OTHERWISE
NOTED. SEE DWG. NO. F311 & F312 FOR PRODUCT RISERS.

MILLWORK CONTRACTOR TO PROVIDE EXTERIOR FINISH - (1)
COAT CLEAR URETHANE SEALER AND (2) COATS SATIN
LACQUER TO FIN. NO. (30)

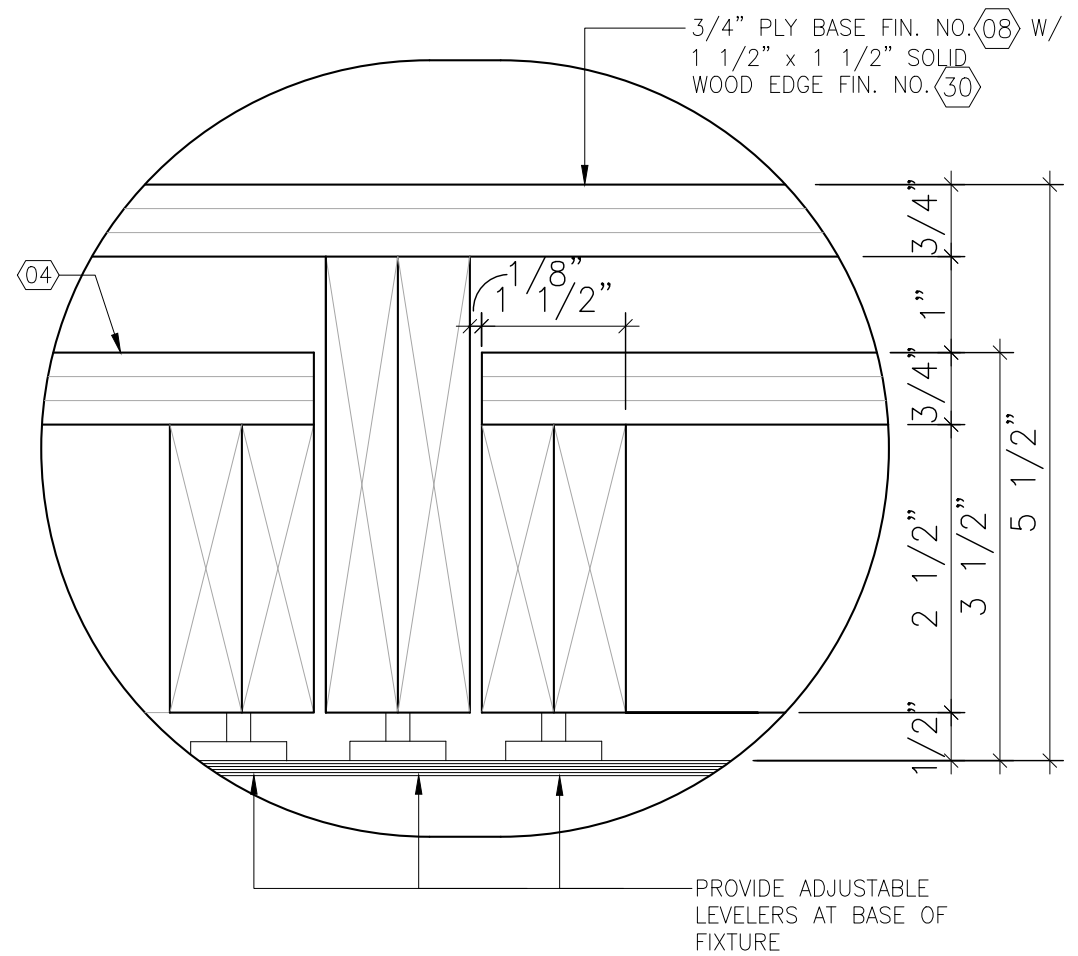
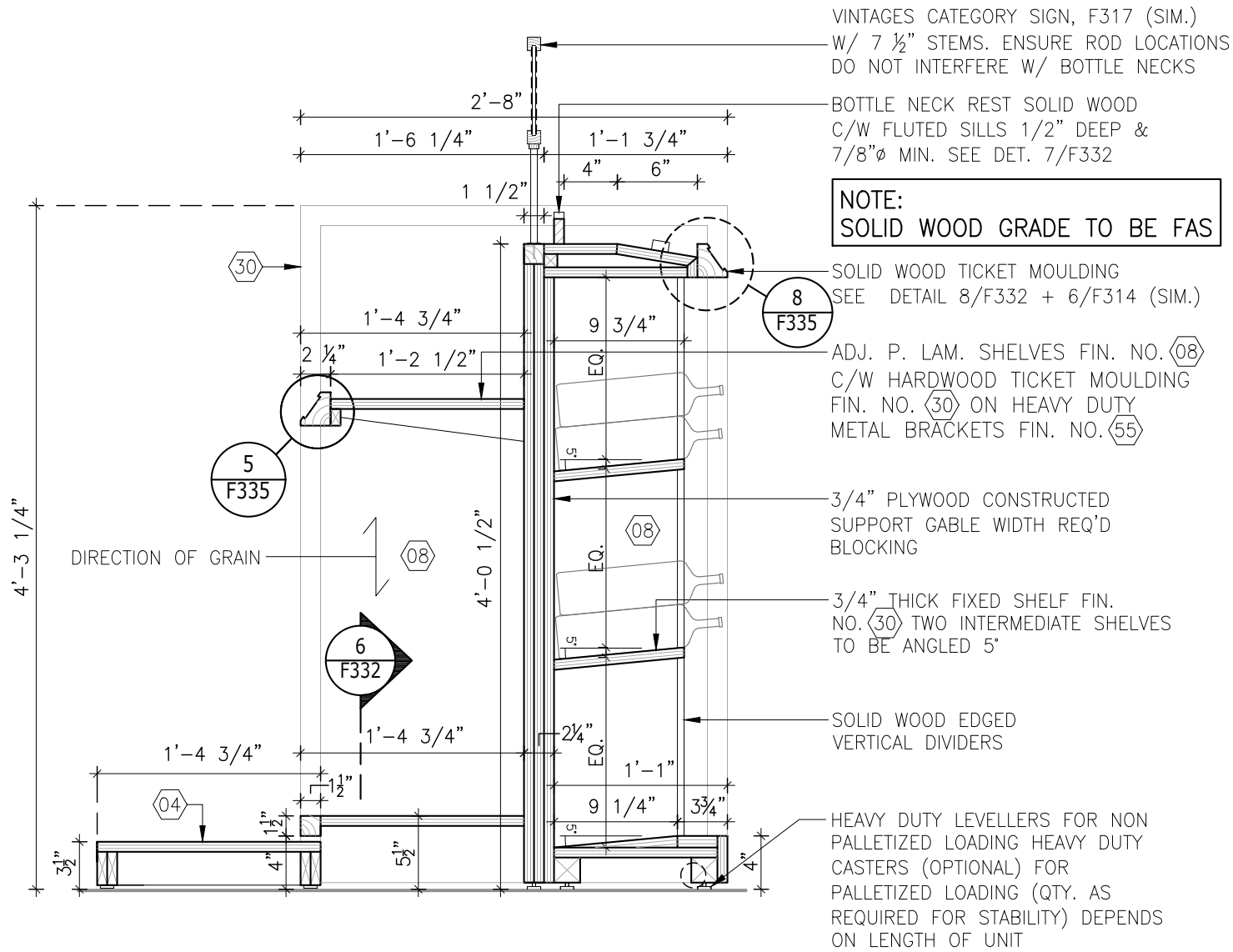
SEAMS IN P. LAM. TO BE POSITIONED AS PER DRAWING.



NOTE:
SOLID WOOD GRADE TO BE FAS



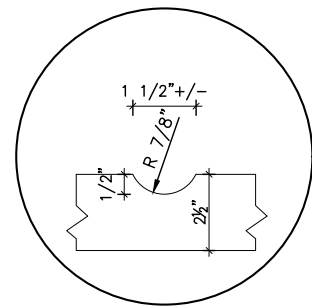
LCBO	300 VINTAGES	REVISION DATE	REV.	1 of 1	ISSUE DATE	STORE TYPE	STORE #
	VINTAGES NEW RELEASE PLINTH W/ SHELVES - 2'-8" WIDE	2017 APR	15	F334	2021 APR		



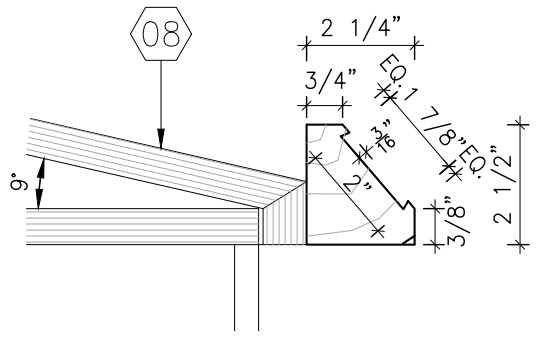
NOTE: PROVIDE STOPPER
AT BACK OF PLINTH.
PLINTH TO BE REMOVABLE
SIMILAR TO DETAIL ON
DRAWING F212 & F213.

5 SECTION
F332 1" = 1'-0"

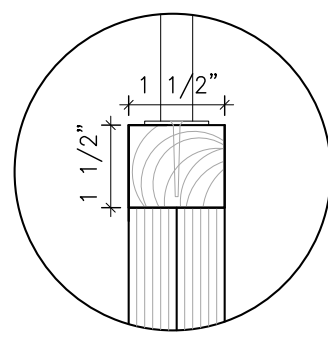
6 DETAIL
F335 6" = 1'-0"



7 DETAIL (BOTTLE NECKREST)
F335 N.T.S.



8 SECTION
F335 N.T.S.



9 SECTION
F335 1" = 1'-0"

LCBO	300 VINTAGES	REVISION DATE	REV.	2 of 2	ISSUE DATE	STORE TYPE	STORE #
	VINTAGES HALF TROLLEY/RELEASE PLINTH	2017 APR	15	F335	2021 APR		

GENERAL NOTES:
 ALL LIGHTING WITHIN TASTING BAR FRONT COUNTER TO BE SUPPLIED BY G.C. & INSTALLED BY MILLWORK CONTRACTOR. FINAL CONNECTIONS BY G.C. ALL WIRING TO BE CONCEALED FROM CUSTOMERS VIEW, MILLWORK CONTRACTOR & G.C. TO COORDINATE.

G.C. TO SUPPLY & INSTALL WINE DISPENSING UNITS AND UNDERCOUNTER REFRIGERATOR. COORDINATE ALL CONNECTIONS/POWER REQUIREMENTS WITH SUPPLIER.

ALL WOOD GRAIN TO RUN HORIZONTALLY.

ALL DOORS/DRAWERS TO BE LOCKABLE & KEYED ALIKE.

TYPICAL HANDLE SPEC. FOR ALL MILLWORK: RICHELIEU #71996 FINISH: #195 BRUSHED NICKEL

NOTE:
 REMOTE GLASS WASHING UNIT AS PER SRRS.
 PULL-OUT SHELVES FOR GLASSES TO FIT 20" X 20" GLASS WASHING TRAYS

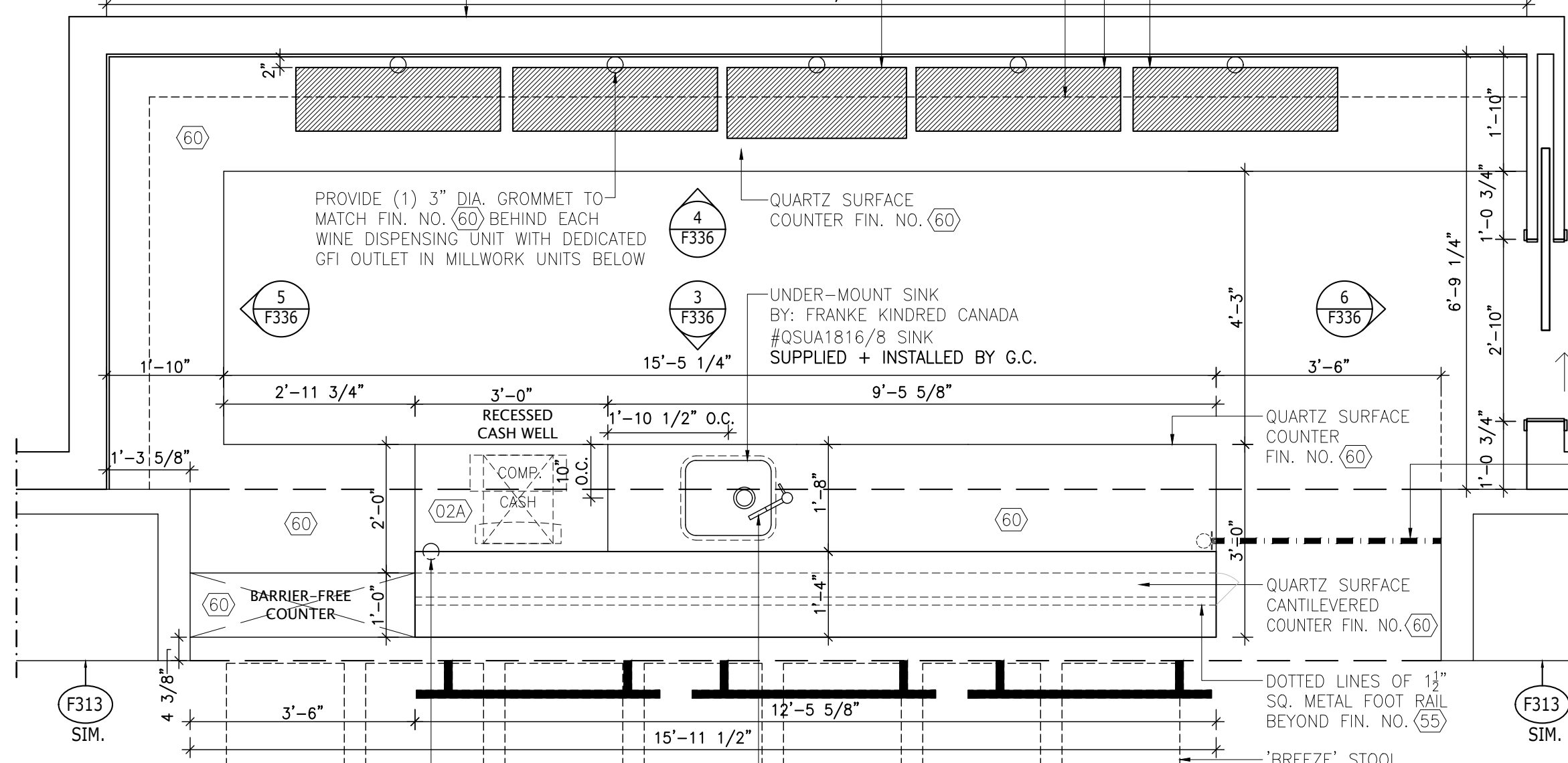
COMPRESSOR FOR WINE DISPENSING UNIT TO BE MOUNTED ON PLY SHELF ON BACK OF WALL IN WAREHOUSE

NEW '4-BOTTLE FLUTE' CHAMPAGNE DISPENSING SYSTEM BY: ENOMATIC OR PRE-APPROVED EQUAL (ONE UNIT REQUIRED) SUPPLIED & INSTALLED BY GC 22'-1 1/8"

DOTTED LINES OF FIXED LED ILLUMINATED TEMPERED GLASS SHELVES W/ STRAIGHT SOLID WOOD TICKET MOULDINGS FIN. NO. (32) SEE DETAIL 7/F336

NEW '8-BOTTLE ENOLINE ELITE' WINE DISPENSING SYSTEM BY: ENOMATIC OR PRE-APPROVED EQUAL (FOUR UNITS REQUIRED) SUPPLIED & INSTALLED BY GC

NOTE:
 MILLWORK CONTRACTOR TO SUPPLY AND INSTALL TENSABARRIER DEVICE AT SIDE OF CASH/CHECK OUT DESK. MILLWORK CONTRACTOR TO SUPPLY AND INSTALL TENSABARRIER AS PER MANUFACTURERS SPECIFICATIONS AND LCBO SPECIFICATION - 10 90 00. MILLWORK CONTRACTOR TO PROVIDE CUT OUT AT GABLE AND MOUNT HARDWARE AS PER SPECIFICATIONS. MILLWORK CONTRACTOR WILL ASSUME RESPONSIBILITY FOR CUT OUT SIZE AND LOCATION. MILLWORK CONTRACTOR TO INDICATE PROPOSED DETAILS/CUT OUT LOCATION ON SHOP DRAWING SUBMITTAL FOR FINAL APPROVAL PRIOR TO FABRICATION.



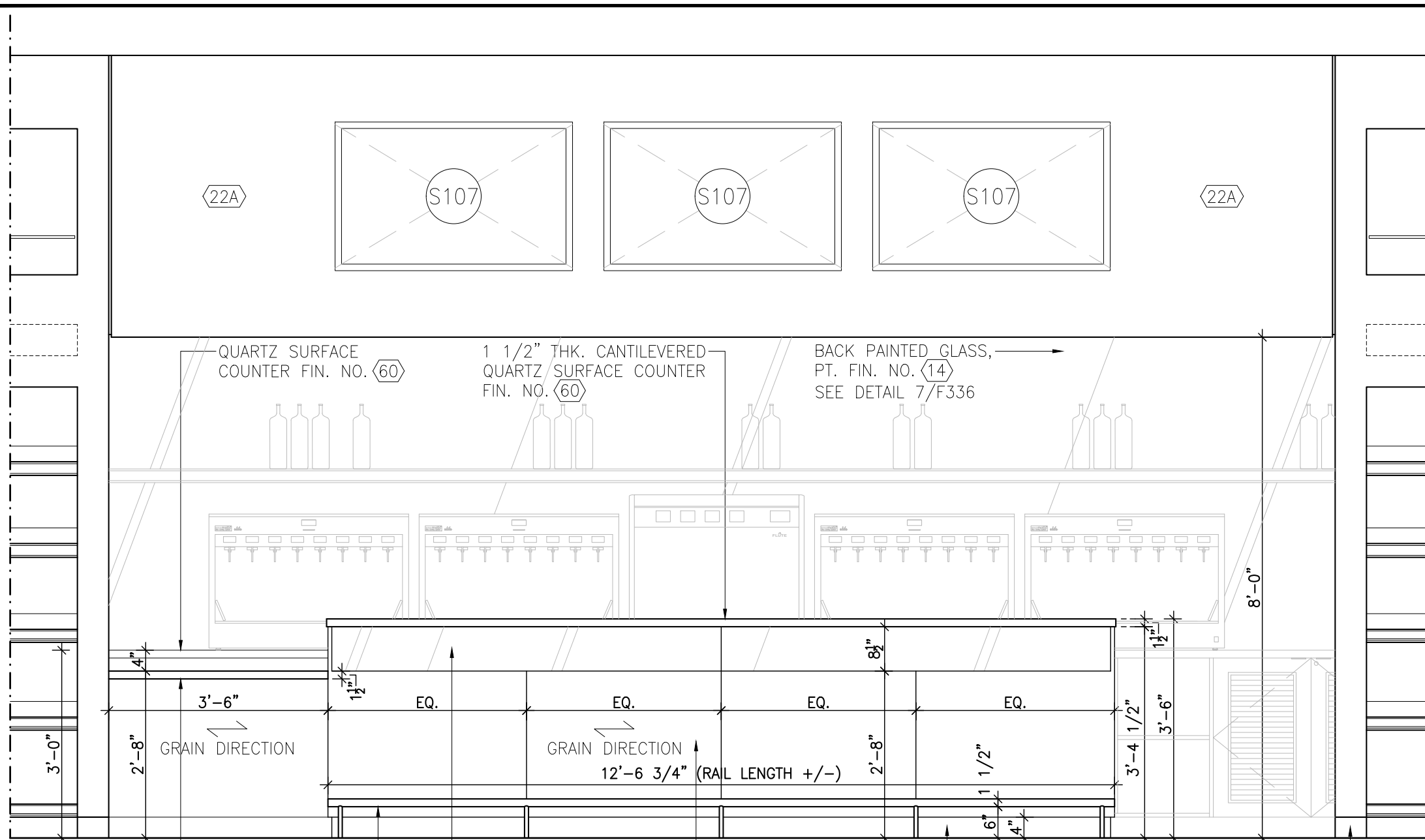
DOTTED LINE OF RETRACTABLE BELT DEVICE (TENSABARRIER - REVERSE MOUNT MODEL) MOUNTED TO INSIDE FACE OF GABLE. INSTALL AS PER MANUFACTURER'S SPECIFICATION. SEE THIS PAGE FOR ADDITIONAL NOTES

1 PLAN
 F336 1/2" = 1'-0"

PROVIDE 3" DIA. GROMMET TO MATCH FIN. NO. (02A) IN RECESSED CASH WELL

KWC DOMO STAINLESS STEEL FAUCET W/ PULL-OUT SPOUT MODEL# 10.061.032.127 SPLENDURE STAINLESS STEEL (OR APPROVED EQUAL) SUPPLIED + INSTALLED BY G.C.

LCBO	300 VINTAGES	REV. DATE	REV.	1 of 9	ISSUE DATE	STORE TYPE	STORE #
	VINTAGES TASTING BAR	2017 NOV	15	F336	2021 APR		



GENERAL NOTES:

ALL LIGHTING WITHIN TASTING BAR TO BE SUPPLIED & INSTALLED BY MILLWORK CONTRACTOR. FINAL CONNECTIONS BY G.C. ALL WIRING TO BE CONCEALED FROM CUSTOMERS VIEW, MILLWORK CONTRACTOR & G.C. TO COORDINATE.

GC TO VERIFY ALL EXISTING SITE CONDITIONS AND DIMENSIONS PRIOR TO COMMENCING SHOP DRAWINGS. GC TO PROVIDE SHOP DRAWINGS FOR APPROVAL.

GC TO SUPPLY & INSTALL WINE DISPENSING UNITS C/W COMPRESSOR UNIT FOR THE CREATION OF THE ARGON GAS (i.e. NO GAS TANKS NEEDED). CONFIRM QUANTITIES WITH LCBO DURING TENDER PERIOD. LOCATE COMPRESSOR WITHIN PLUMBING ENCLOSURE BEHIND MILLWORK COUNTER. COORDINATE & PROVIDE ALL REQUIRED CONNECTIONS/POWER REQUIREMENTS WITH SUPPLIER (ENOMATIC CANADA, CONTACT: STEPHANE FOURNIER, T: 1-888-386 1181) PRIOR TO CLOSE OF TENDER. GC MAY SUBMIT AN ALTERNATE FOR THE WINE DISPENSING SYSTEM BUT ANY ALTERNATES MUST BE APPROVED BY THE LCBO PRIOR TO THE CLOSE OF TENDER.

GC TO CONFIRM WITH LCBO IF A DEDICATED DATA LINE WILL BE REQUIRED FOR STATISTICAL TRACKING, AND IF REQUIRED, WHERE IS IT TO BE TERMINATED PRIOR TO CLOSE OF TENDER.

ALL DOORS/DRAWERS TO BE LOCKABLE & KEYED ALIKE AND ALL WOOD GRAIN TO RUN HORIZONTALLY. TYPICAL DOOR PULL SPEC. FOR ALL MILLWORK: HAFELE #124.02.920 (LENGTH=70mm) FINISH: SILVER ANODIZED

1 1/2" THK. QUARTZ SURFACE BARRIER-FREE COUNTER FIN. NO. 60

1 1/2" SQ. METAL FOOT RAIL FIN. NO. 55 SECURED TO FLOOR AS REQ'D.

BACK-ILLUMINATED TRANSLUCENT OPAL PLEXI GLASS APRON. (SUBMIT SAMPLE FOR APPROVAL) ALIGN BUTT JOINT W/ WOOD CENTRE SEAM.

FIN. NO. 12A TO FACE OF TASTING BAR. MILLWORK CONTRACTOR TO ENSURE ALL SEAMS ARE EQUALLY SPACED

4" HIGH SATIN STAINLESS STEEL BASE FIN. NO. 55

4" HIGH BASE FIN. NO. 04

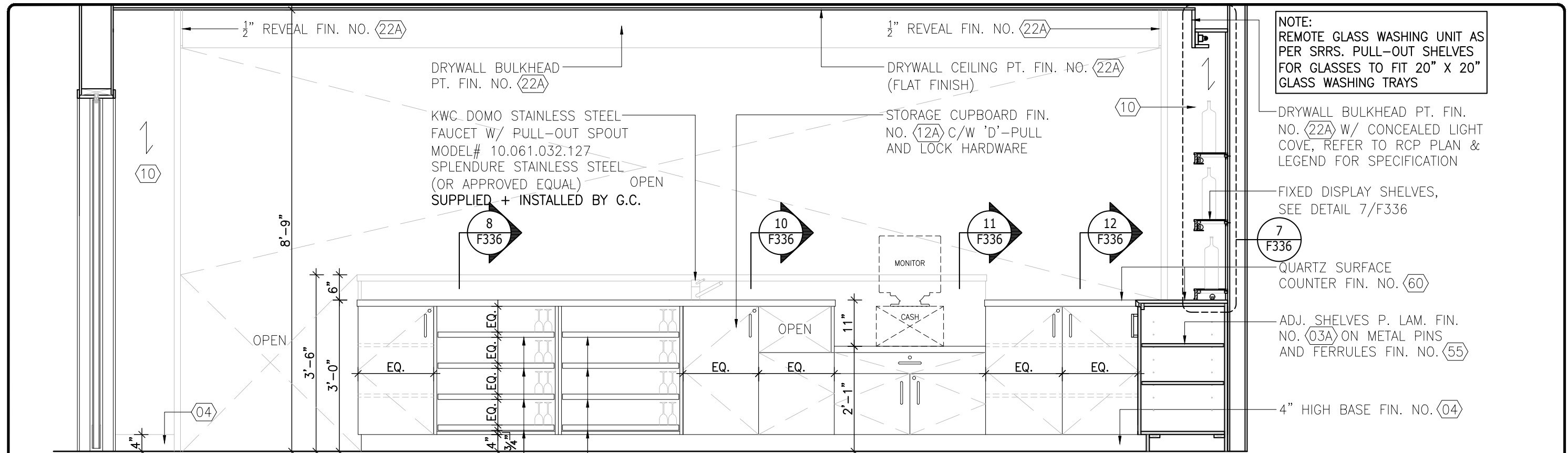
2 ELEVATION
F336 1/2" = 1'-0"

LIGHTING SPECIFICATIONS:

LED LIGHTSTRIPS BY TECHNILITE:
 MODEL#: L3-32-GI-SEB
 LENGTH=12"
 OUTPUT=2.4 WATTS / 97 LUMENS PER FT.
 COLOUR TEMP. 3200°K
 DURATION: 50,000 HRS

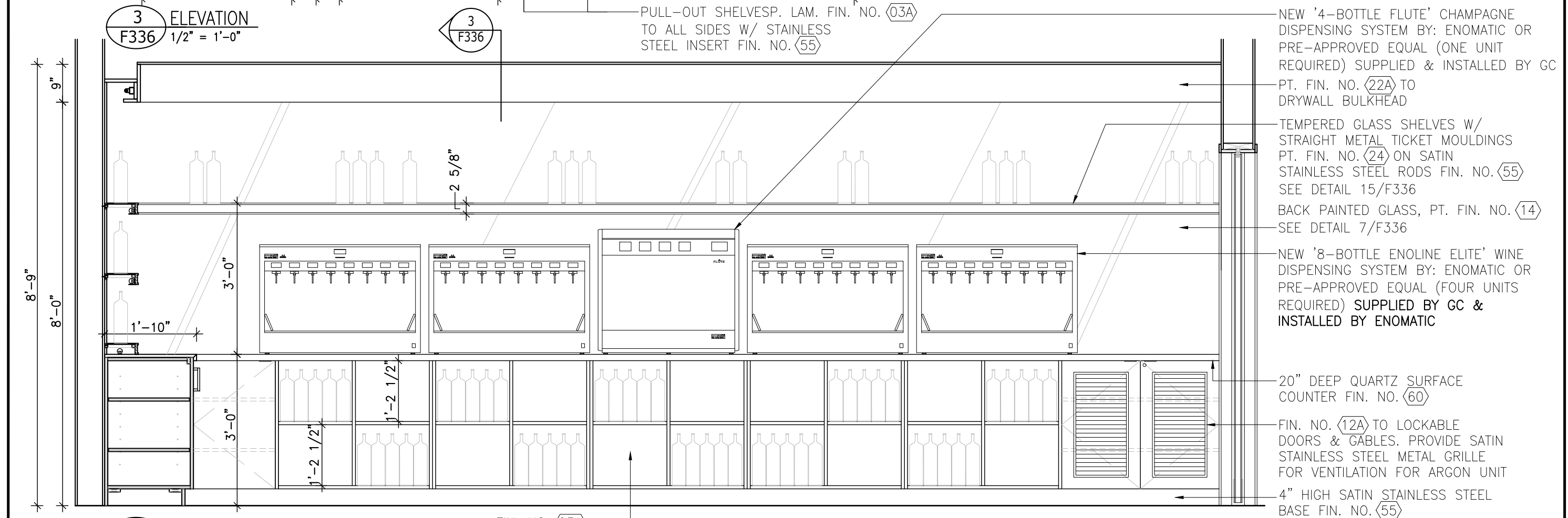
ALL MILLWORK LIGHTING TO BE SUPPLIED + INSTALLED BY MILLWORK CONTRACTOR UNLESS OTHERWISE NOTED. FINAL CONNECTIONS BY GC. ENSURE ALL WIRING IS CONCEALED FROM CUSTOMERS VIEW.

LCBO	300 VINTAGES	REV. DATE	REV.	2 of 9	ISSUE DATE	STORE TYPE	STORE #
	VINTAGES TASTING BAR	2017 NOV	15	F336	2021 APR		



NOTE:
 REMOVE GLASS WASHING UNIT AS
 PER SRRS. PULL-OUT SHELVES
 FOR GLASSES TO FIT 20" X 20"
 GLASS WASHING TRAYS

3 ELEVATION
 F336 1/2" = 1'-0"



4 ELEVATION
 F336 1/2" = 1'-0"

FIN. NO. (03A)
 TO BACK PANEL

LCBO	300 VINTAGES	REV. DATE	REV.	3 of 9	ISSUE DATE	STORE TYPE	STORE #
	VINTAGES TASTING BAR	2017 NOV	15	F336	2021 APR		

DRYWALL B/HEAD
PT. FIN. NO. (22A)

DRYWALL CEILING PT. FIN.
NO. (22A) (FLAT FINISH)

24" GE MONOGRAM
STAINLESS STEEL WINE FRIDGE
MODEL: #ZDWR240HBS
RIGHT HAND SWING DOOR
SUPPLIED & INSTALLED BY G.C.

SURFACE MOUNTED
ILLUMINATED TRANSPARENCY
BOX S107 (SIM.)

QUARTZ SURFACE
CANTILEVERED COUNTER
FIN. NO. (60)

TRANSLUCENT OPAL PLEXI
APRON (SUBMIT SAMPLE
FOR APPROVAL)

FIN. NO. (12A)

1 1/2" SQ. MTL. FOOT RAIL
FIN. NO. (55) SECURED TO
FLOOR AS REQ'D.

5 ELEVATION
F336 1/2" = 1'-0"

SATIN STAINLESS STEEL EXTRUSION TOP CHANNEL
FIN. NO. (55) SECURED TO DRYWALL PARTITION. CLEAR
SILICONE TO ALL JOINTS

DRYWALL W/ PT. FIN. NO. (22A)

1/4" THICK BACK-PAINTED TEMPERED GLASS PANEL PT.
FIN. NO. (14) BACKSPASH BETWEEN SHELVES, SUPPLIED
AND INSTALLED BY MILLWORK CONTRACTOR (SUBMIT
SAMPLE FOR APPROVAL PRIOR TO FABRICATION).

1/2" x 1/2" SATIN STAINLESS STEEL EXTRUSION
BOTTOM CHANNEL FIN. NO. (55) SILICONE TO ALL JOINTS

1 1/2" x 1 1/2" SATIN STAINLESS STEEL ANGLE TO
CONCEAL LIGHT SOURCE FIN. NO. (55)

1/4" THICK TEMPERED SANDBLASTED GLASS INSERT ON WD.
BLOCKING FIN. NO. (32) (MINIMIZE BLOCKING AS MUCH AS
POSSIBLE W/O COMPROMISING STRENGTH OF SHELVES)

TYP. VINTAGES STRAIGHT WD. TICKET MOULD. FIN. NO. (32)

TYPICAL 12" LONG L.E.D. LIGHT STRIP SUPPLIED BY GC
+ INSTALLED BY MILLWORKER. MILLWORK CONTRACTOR +
GC TO COORDINATE ALL REQUIREMENTS AS REQUIRED.

7 SECTION
F336 1 1/2" = 1'-0"

SOLID WOOD CORE DOOR FIN. NO. (32) W/ WOOD FRAME
FIN. NO. (32) & 3/8" THK. TEMPERED SANDBLASTED GLASS
INSERT & 6" HIGH KICKPLATE FIN. NO. (55)

DRYWALL CEILING PT.
FIN. NO. (22A) (FLAT FINISH)

DRYWALL B/HEAD PT.
FIN. NO. (22A) W/ FLUOR.
LIGHT COVE BY GC

BACK PAINTED GLASS,
PT. FIN. NO. (14)
SEE DETAIL 7/F336

FIXED DISPLAY SHELVES
SEE DETAIL 7/F336

QUARTZ SURFACE
COUNTER FIN. NO. (60)

PROVIDE (1) 3" DIA.
GROMMET TO MATCH FIN.
NO. (60) BEHIND EACH WINE
DISPENSING UNIT WITH
DEDICATED GFI OUTLET IN
MILLWORK UNITS BELOW

FIXED SHELF
P. LAM. FIN. NO. (12A)

4" HIGH BASE FIN. NO. (04)

6 ELEVATION
F336 1/2" = 1'-0"

1/4" THICK BACK-PAINTED TEMPERED GLASS PANEL PT. FIN. NO. (14)
BACKSPASH BETWEEN SHELVES, SUPPLIED AND INSTALLED BY MILLWORK
CONTRACTOR (SUBMIT SAMPLE FOR APPROVAL PRIOR TO FABRICATION).

1/2" x 1/2" SATIN STAINLESS STEEL EXTRUSION
BOTTOM CHANNEL FIN. NO. (55) SILICONE TO ALL JOINTS

TYP. VINTAGES STRAIGHT WOOD TICKET MOULDING
FIN. NO. (32) W/ 1 1/2" x 1 1/2" SATIN STAINLESS
STEEL ANGLE TO CONCEAL LT. SOURCE FIN. NO. (55)

1/4" THK. TEMPERED SANDBLASTED GLASS INSERT ON WD.
BLOCKING FIN. NO. (32) (MINIMIZE BLOCKING AS MUCH
AS POSSIBLE W/O COMPROMISING SHELF STRENGTH)

TYPICAL 12" LONG L.E.D. LIGHT STRIP SUPPLIED BY GC
+ INSTALLED BY MILLWORKER. MILLWORK CONTRACTOR +
GC TO COORDINATE ALL REQUIREMENTS AS REQUIRED.

SATIN STAINLESS STEEL EXTRUSION TOP CHANNEL FIN. NO. (55)
SECURED TO DRYWALL PARTITION. CLEAR SILICONE TO ALL JOINTS

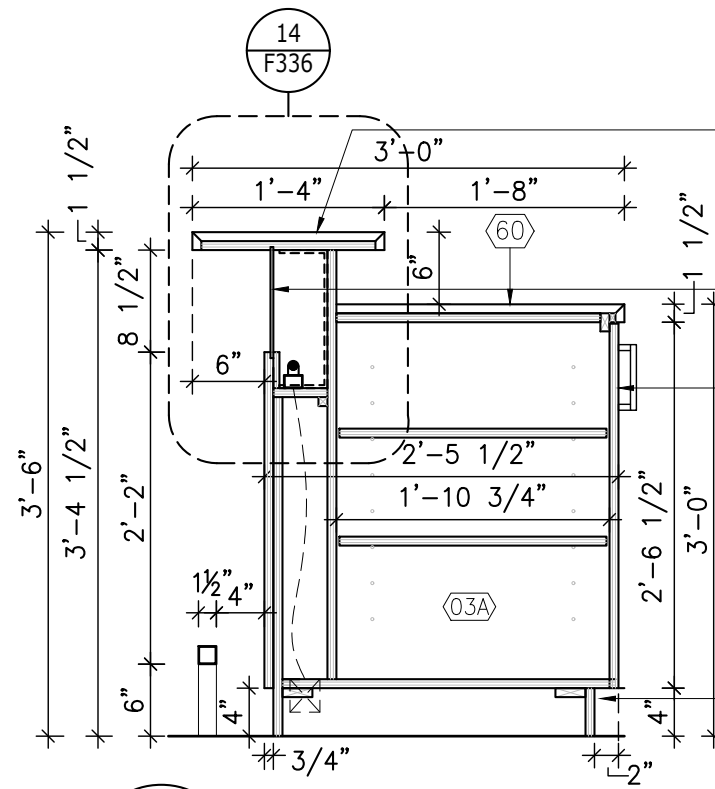
7a SECTION
F336 6" = 1'-0"

NOTE: SOLID
WOOD GRADE
TO BE FAS

LCBO

300 VINTAGES
VINTAGES TASTING BAR

REV. DATE	REV.	4 of 9	ISSUE DATE	STORE TYPE	STORE #
2017 NOV	15	F336	2021 APR		



8 SECTION
F336 3/4" = 1'-0"

CANTILEVERED COUNTER
FIN. NO. (60)

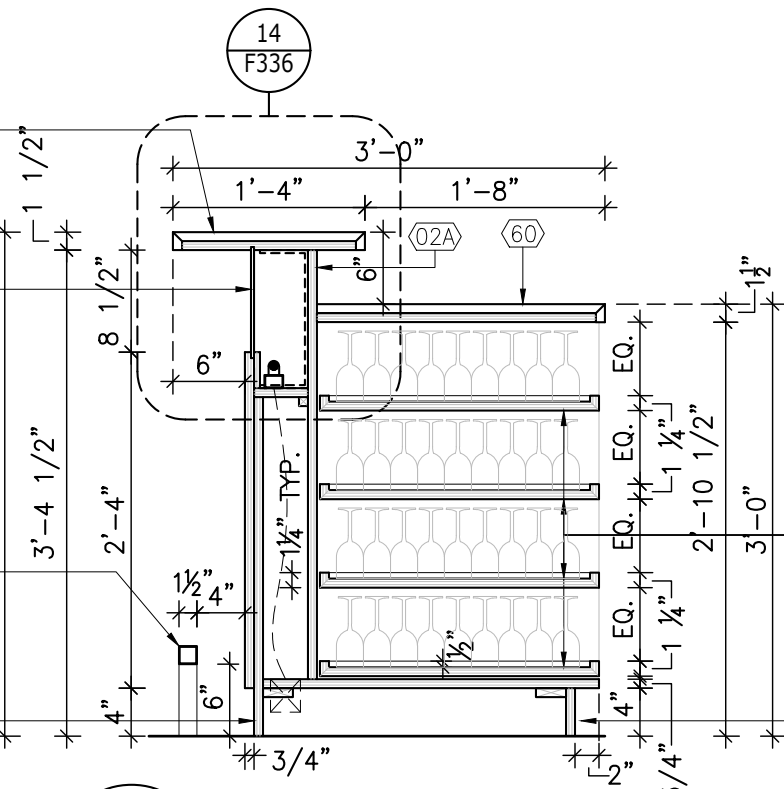
TRANSLUCENT OPAL PLEXI
APRON (SUBMIT SAMPLE
FOR APPROVAL)

STORAGE CUPBOARD FIN. NO. (03A)
C/W ADJ. SHELVES FIN. NO. (55)
& 'D'-PULL & LOCK HARDWARE

1 1/2" SQ. METAL FOOT
RAIL FIN. NO. (55) SECURED
TO FLOOR AS REQ'D.

4" H. RECESSED BASE
FIN. NO. (04)

4" HIGH SATIN STAINLESS
STEEL BASE FIN. NO. (55)



9 SECTION
F336 3/4" = 1'-0"

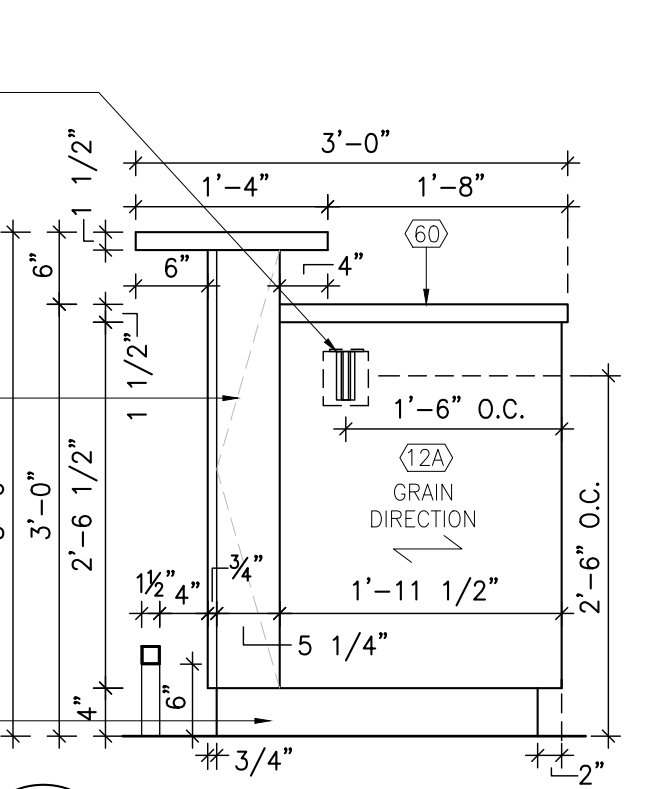
RETRACTABLE BELT DEVICE
(TENSABARRIER -
REVERSE MOUNT MODEL)
MOUNTED TO INSIDE FACE
OF CABLE. INSTALL AS
PER MANUFACTURER'S
SPECIFICATION. SEE PAGE
1 OF 7 FOR ADDITIONAL
NOTES.

LOCKABLE HINGED
ACCESS PANEL P. LAM.
FIN. NO. (12A)
MILLWORK CONTRACTOR
TO ADVISE HINGE TYPE

PULL-OUT SHELVES P. LAM.
FIN. NO. (03A) TO ALL SIDES
W/ STAINLESS STEEL INSERT
FIN. NO. (55) ALL SHELVES TO
ACCOMMODATE GLASS
WASHING TRAYS

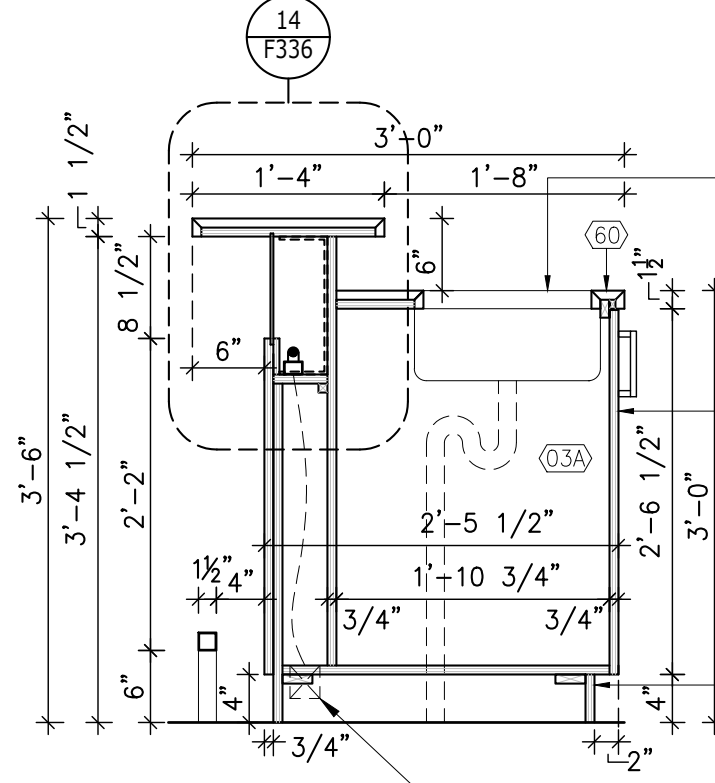
4" H. RECESSED BASE
FIN. NO. (04)

MILLWORK CONTRACTOR
TO CONFIRM DOCKING
STATION REQUIREMENTS
W/ LCBO PRIOR TO
FABRICATION



13 ELEVATION
F336 3/4" = 1'-0"

NOTE: GC TO SUPPLY
FAUCET & SINK TO
MILLWORK CONTRACTOR.
MILLWORK CONTRACTOR &
GC TO COORDINATE RE:
INSTALLATION. GC
RESPONSIBLE FOR ALL
FINAL CONNECTIONS.



10 SECTION
F336 3/4" = 1'-0"

UNDER-MOUNT SINK BY: FRANKE
KINDRED CANADA
#QSUA1816/8 SINK

TRANSLUCENT OPAL PLEXI
APRON (SUBMIT SAMPLE FOR
APPROVAL)

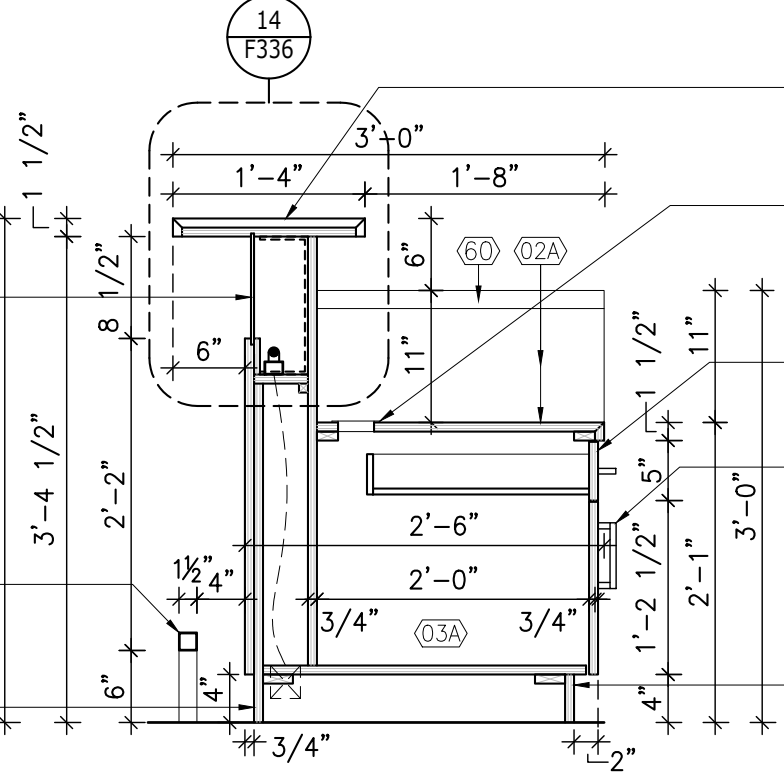
STORAGE CUPBOARD FIN. NO. (03A)
C/W 'D'-PULL AND LOCK
HARDWARE

1 1/2" SQ. METAL FOOT RAIL
FIN. NO. (55) SECURED TO
FLOOR AS REQ'D. - SUPPLIED
& INSTALLED BY G.C.

4" H. RECESSED BASE
FIN. NO. (04)

4" HIGH SATIN STAINLESS
STEEL BASE FIN. NO. (55)

PROVIDE POWER IN BASE FOR
LED ILLUMINATION ABOVE



11 SECTION
F336 3/4" = 1'-0"

CANTILEVERED COUNTER
FIN. NO. (60)

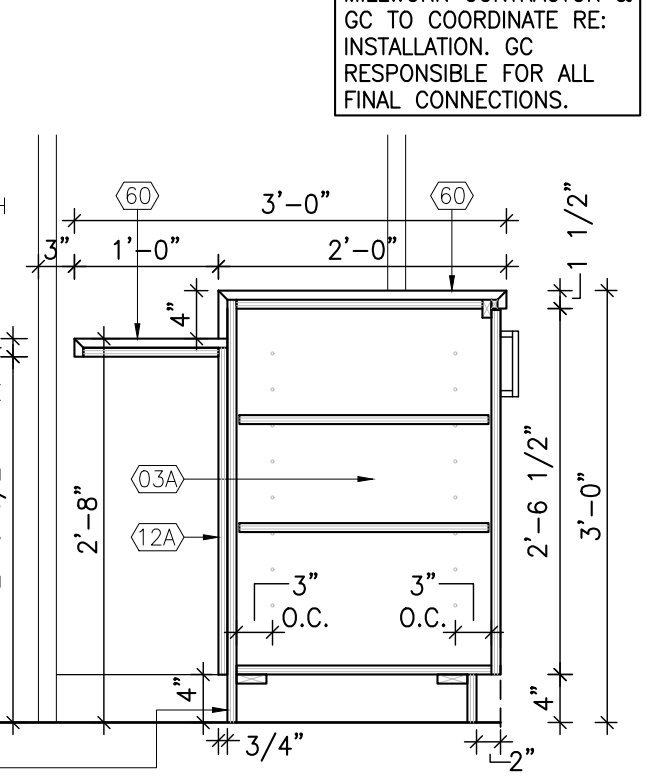
3" DIA. GROMMET TO MATCH
FIN. NO. (03A)

PULL-OUT DRAWER
FIN. NO. (12A) C/W
'D'- PULL HANDLE & LOCK

STORAGE CUPBOARD
FIN. NO. (03A) C/W
'D'- PULL HANDLE
& LOCK

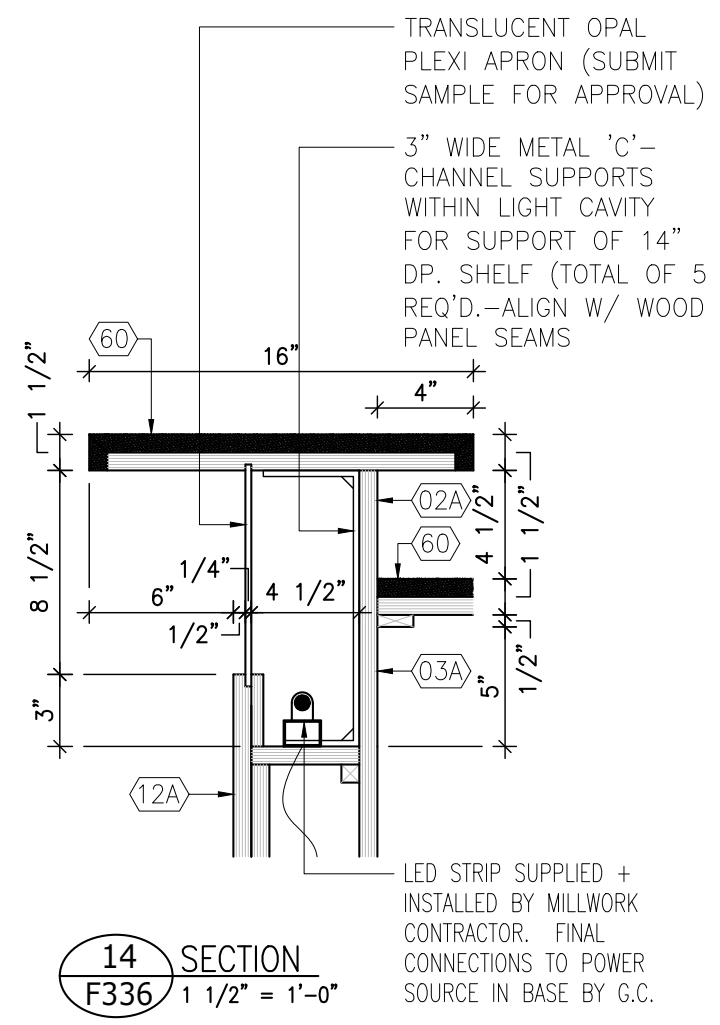
4" H. RECESSED BASE
FIN. NO. (04)

4" HIGH SATIN STAINLESS
STEEL BASE FIN. NO. (55)

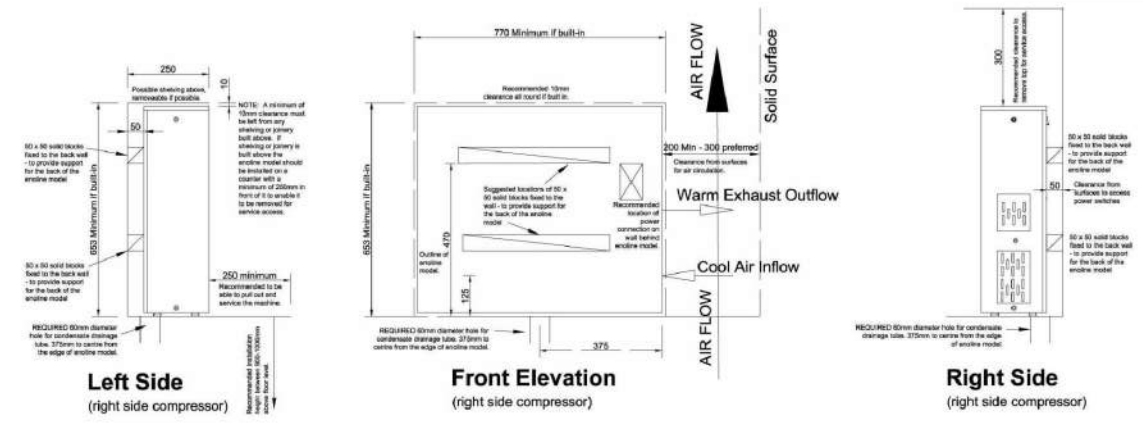


12 SECTION
F336 3/4" = 1'-0"

LCBO	300 VINTAGES	REV. DATE	REV.	5 of 9	ISSUE DATE	STORE TYPE	STORE #
	VINTAGES TASTING BAR	2017 NOV	15	F336	2021 APR		



LCBO	300 VINTAGES	REV. DATE	REV.	6 of 9	ISSUE DATE	STORE TYPE	STORE #
	VINTAGES TASTING BAR	2017 NOV	15	F336	2021 APR		



Installation Notes:

A 30mm gap should be maintained on the compressor side of the machine from any solid surface.

The temperature controlled enoline models can be recessed and built-in to finish flush with the front of cabinets and joinery. HOWEVER, if joinery is to finish flush on the side of the compressor then very careful design is required to ensure that cool air can flow in, and warm air can flow out, from the compressor.

If the unit is built-in there is a minimum 10mm gap should be allowed around the perimeter of the model and a 250mm minimum depth of counter in front of the machine is strongly advised to be able to remove and provide a surface on which to service the machine.

50x50 packers should be installed by the customer behind the machine to enable it to be pushed back and supported 50mm from the wall surface. The packers do not need to be the continuous width of the machine but should be sufficient to provide support.

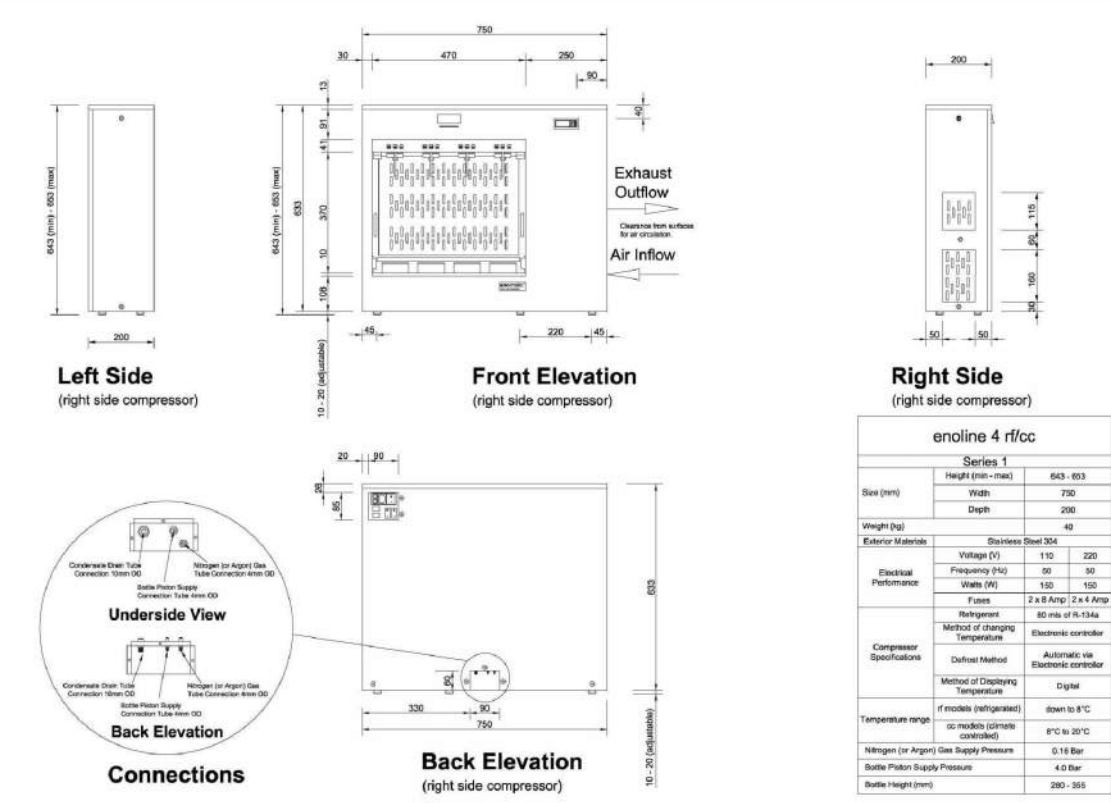
A 10mm diameter condensation drain MUST BE run from the tubing connection outlet and gravity feed to a drain or collection bottle. A minimum 60mm diameter hole beneath the tube connection location is recommended - which can also be used if services for gas supply are to be reticulated below the counter top.

An electrical connection should be provided behind the machine.

enoline 4 rf/cc models (Series 1)
Right Side Compressor
 Scale: 1:10

Document Code: ID-EL15e
 Document Name: enoline 4 Temp Controlled - Right Side Compressor - Series 1 - Installation Drawing
 Revision & Date: Revision 4, 3 April 2006
 Drawing Title: A-enoline 4 Temperature Controlled Models - Series 1.dwg

enomatic™
 wine serving systems



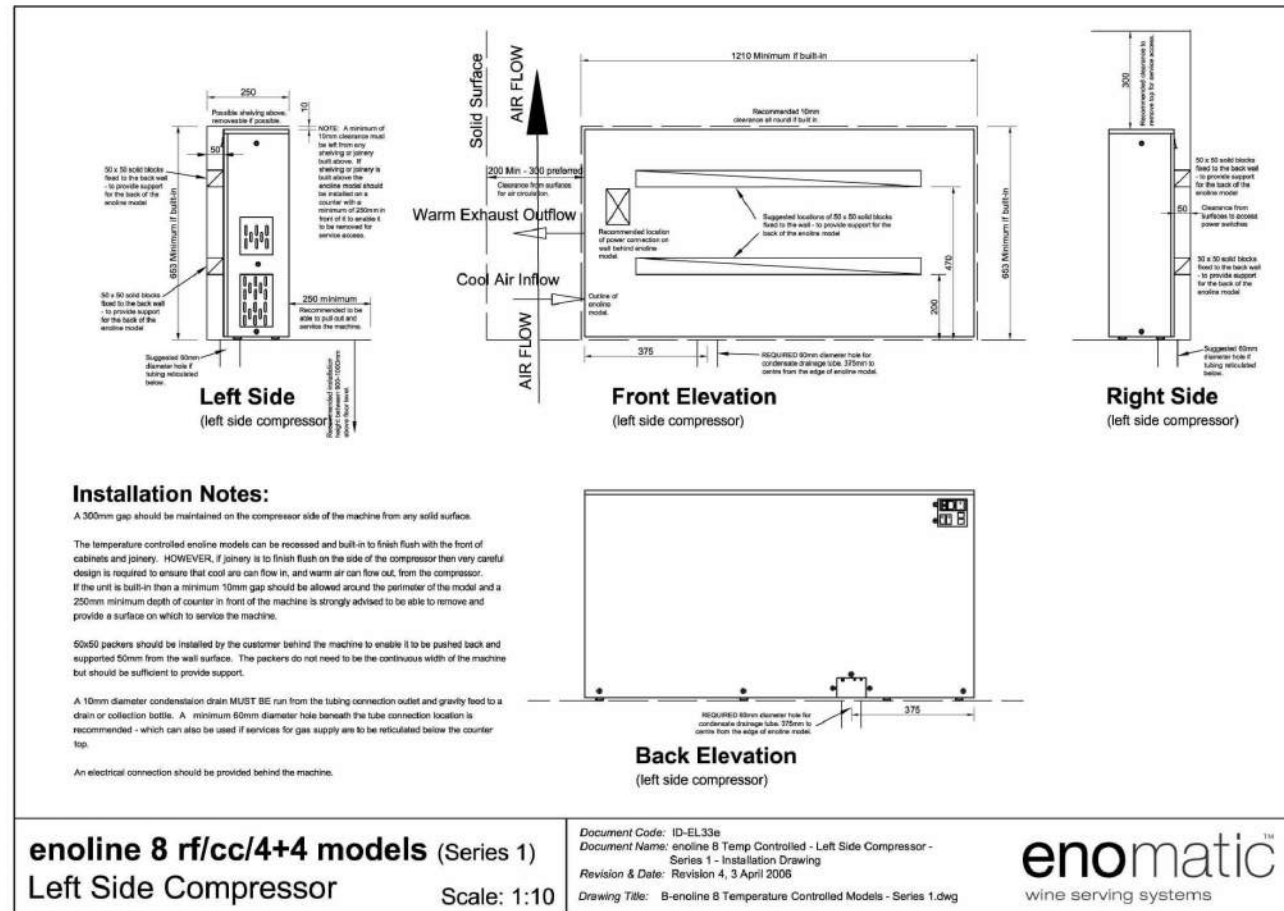
enoline 4 rf/cc			
Series 1			
Size (mm)	Height (min-max)	653 - 653	
	Width	750	
	Depth	200	
Weight (kg)	40		
Material	Stainless Steel 304		
Electrical Performance	Voltage (V)	110	220
	Frequency (Hz)	50	50
	Watts (W)	150	150
Compressor Specifications	Fuses	2 x 8 Amp / 2 x 4 Amp	
	Refrigerant	R600a	
	Method of changing Temperature	Electronic controller	
Temperature range	Method of Displaying Temperature	Automatic via Electronic controller	
	if models (refrigerated)	down to 8°C	
Nitrogen (or Argon) Gas Supply Pressure	0.18 Bar		
	4.0 Bar		
	280 - 365		

enoline 4 rf/cc models (Series 1)
Right Side Compressor
 Scale: 1:10

Document Code: ID-EL15e
 Document Name: enoline 4 Temp Controlled - Right Side Compressor - Series 1 - Model Drawing
 Revision & Date: Revision 4, 3 April 2006
 Drawing Title: A-enoline 4 Temperature Controlled Models - Series 1.dwg

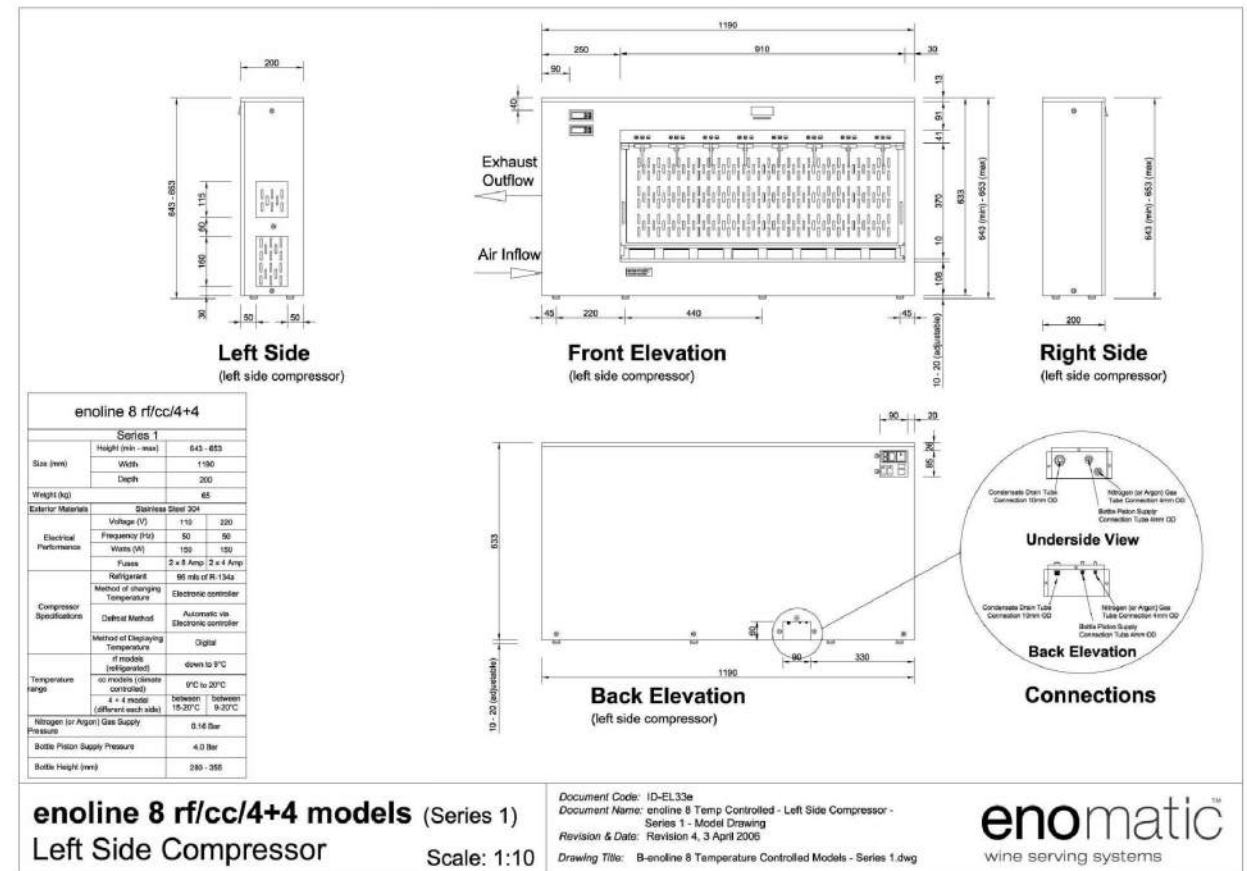
enomatic™
 wine serving systems

LCBO	300 VINTAGES	REV. DATE	REV.	7 of 9	ISSUE DATE	STORE TYPE	STORE #
	VINTAGES TASTING BAR	2017 NOV	15	F336	2021 APR		



enoline 8 rf/cc/4+4 models (Series 1)
Left Side Compressor
 Scale: 1:10

Document Code: ID-EL33e
 Document Name: enoline 8 Temp Controlled - Left Side Compressor - Series 1 - Installation Drawing
 Revision & Date: Revision 4, 3 April 2006
 Drawing Title: B-enoline 8 Temperature Controlled Models - Series 1.dwg

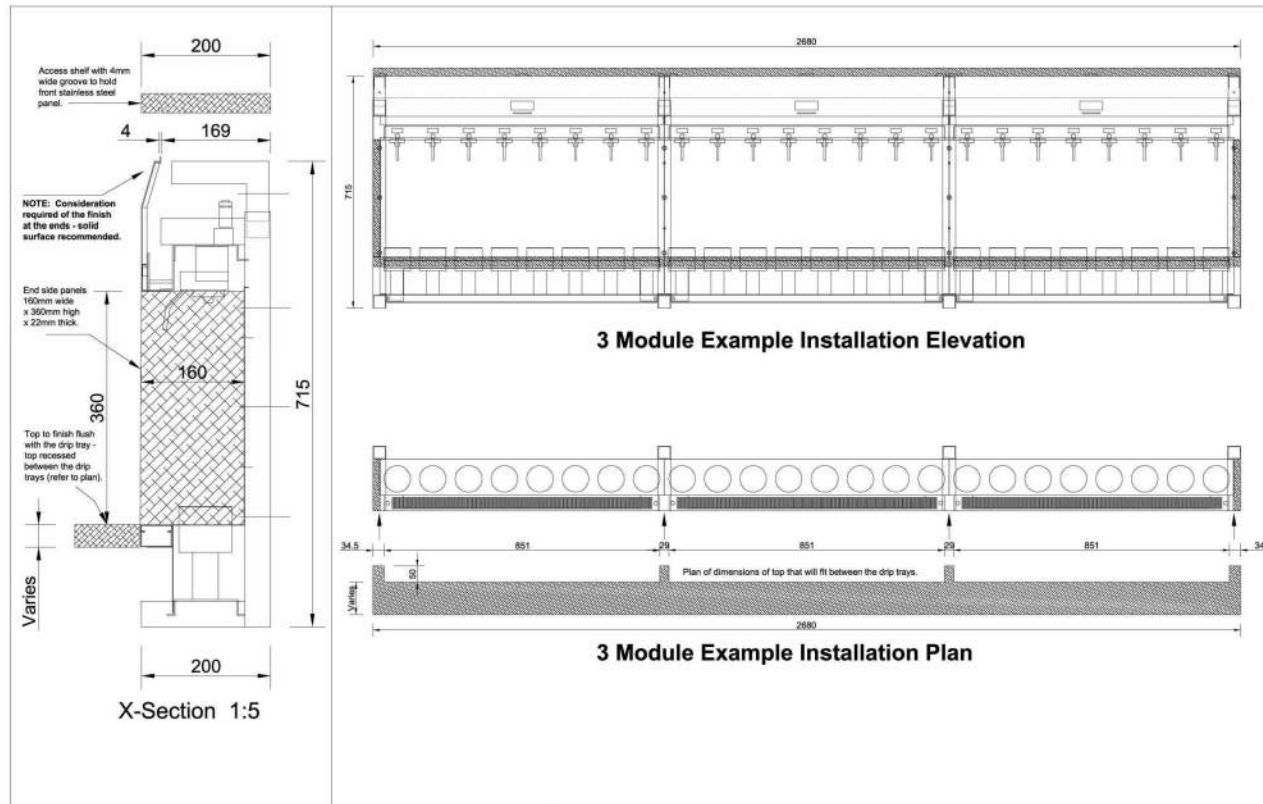


enoline 8 rf/cc/4+4 models (Series 1)
Left Side Compressor
 Scale: 1:10

Document Code: ID-EL33e
 Document Name: enoline 8 Temp Controlled - Left Side Compressor - Series 1 - Model Drawing
 Revision & Date: Revision 4, 3 April 2006
 Drawing Title: B-enoline 8 Temperature Controlled Models - Series 1.dwg

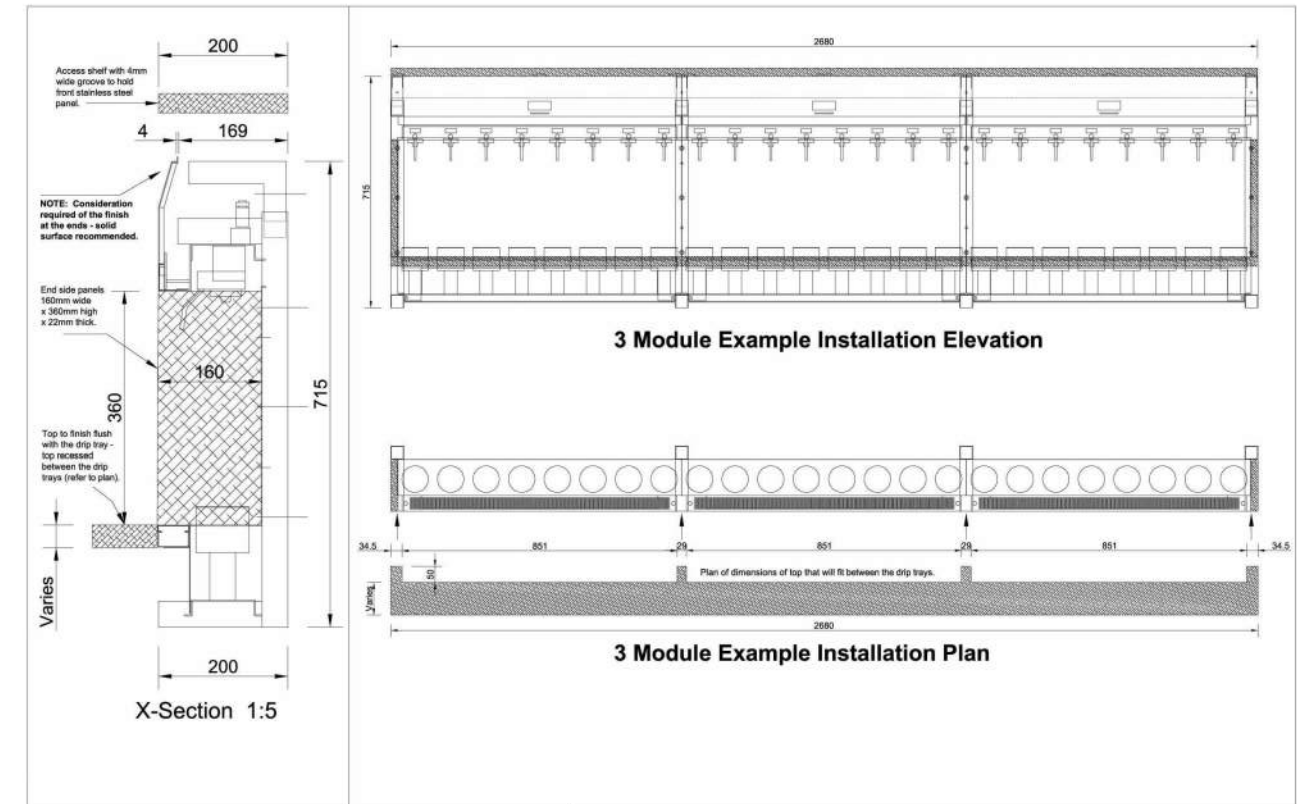


LCBO	300 VINTAGES	REV. DATE	REV.	8 of 9	ISSUE DATE	STORE TYPE	STORE #
	VINTAGES TASTING BAR	2017 NOV	15	F336	2021 APR		



EXAMPLE INSTALLATION 1
3 x enosystem 8 (Series 1) Scale: 1:5 and 1:10

Document Code: ID-ES20e
 Document Name: Example Installation 1 - enosystem 8 Series 1 - Drawing
 Revision & Date: Revision 1, 12 September 2005
 Drawing Title: C-enosystem 8 Modules - Series 1.dwg

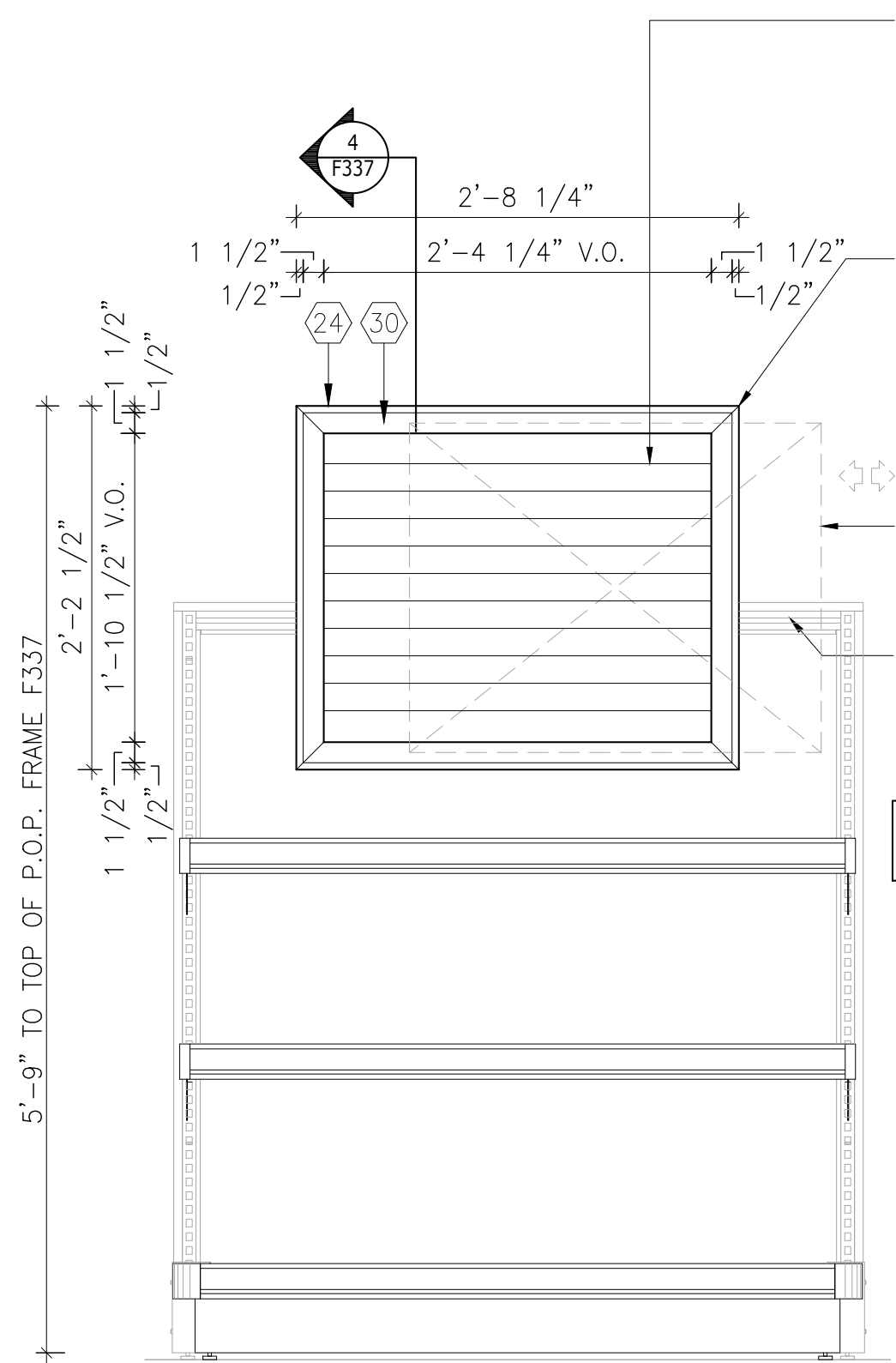


EXAMPLE INSTALLATION 1
3 x enosystem 8 (Series 1) Scale: 1:5 and 1:10

Document Code: ID-ES20e
 Document Name: Example Installation 1 - enosystem 8 Series 1 - Drawing
 Revision & Date: Revision 1, 12 September 2005
 Drawing Title: C-enosystem 8 Modules - Series 1.dwg



LCBO	300 VINTAGES	REV. DATE	REV.	9 of 9	ISSUE DATE	STORE TYPE	STORE #
	VINTAGES TASTING BAR	2017 NOV	15	F336	2021 APR		



1 ELEVATION
F337 1" = 1'-0"

CHALKBOARD PAINT BY BENJAMIN MOORE
STUDIO FINISHES 307 CHALKBOARD
PAINT W/ FRESHSTART 563 PRIMER &
CLEAR GLOSS LINES @ 2" O.C.
TEL: (416) 813-3700
MILLWORK CONTRACTOR TO SUBMIT
SAMPLE FOR APPROVAL

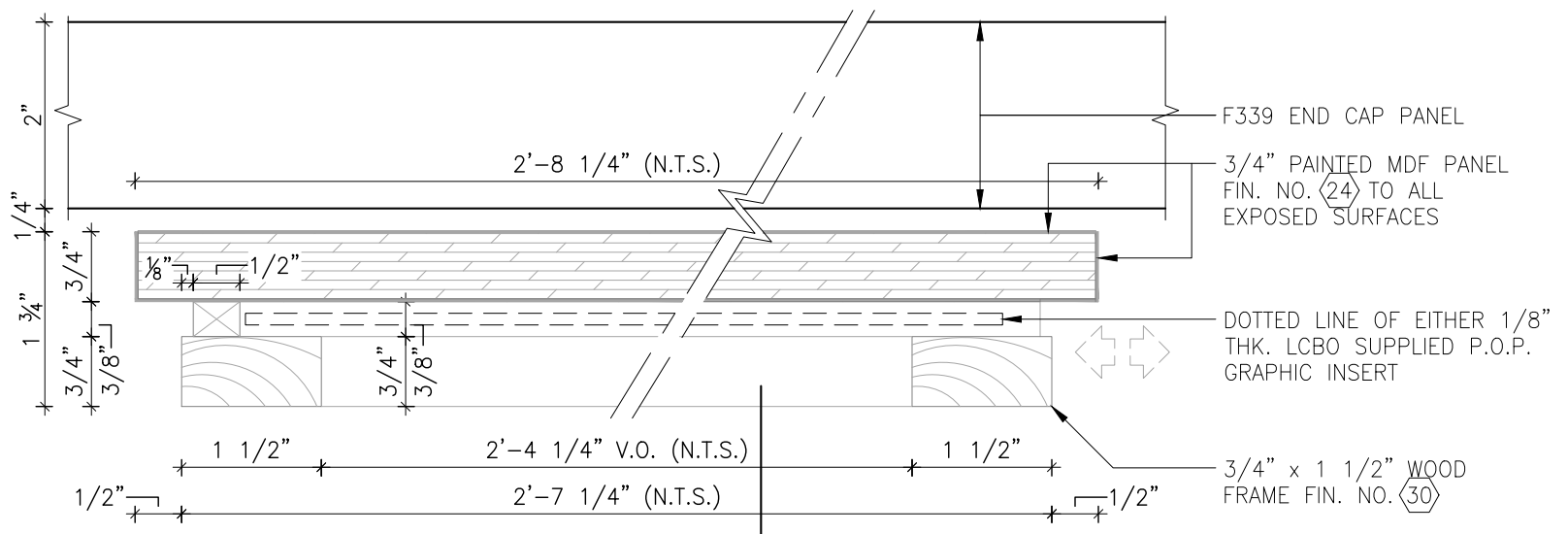
REMOVABLE POP FRAME FIN. NO. (30) W/
MITRED CORNERS. MILLWORK CONTRACTOR TO
PROVIDE 3/8" OPENING SLOT IN RIGHT SIDE OF
POP FRAME ONLY FOR CHALKBOARD FINISHED
1/8" THK. MASONITE INSERT BY MILLWORK
CONTRACTOR. LCBO TO SUPPLY 1/8" THK. POP
GRAPHIC INSERT. SEE DETAIL 2/F337

DOTTED LINES OF POSTER (SUPPLIED BY LCBO)
- SLOT IN RIGHT SIDE OF P.O.P. FRAME ONLY
P.O.P. SIZE 30" W. x 24" H.

METAL CHANNEL IN F339 TO ACCOMMODATE
SLATWALL-TYPE HARDWARE MOUNTED BEHIND
F337 FRAME. SHELVING SUPPLIER TO
COORDINATE W/ MILLWORK CONTRACTOR.

NOTE:
SOLID WOOD GRADE TO BE FAS

CHALKBOARD PAINT
STUDIO FINISHES 307
W/FRESHSTART 563 PRIMER
BY BENJAMIN MOORE
TEL:(905) 813-3700
NOTE: CHALKBOARD LINES TO BE CLEAR GLOSS @ 2" O.C.
MILLWORK CONTRACTOR TO SUBMIT SAMPLE FOR APPROVAL

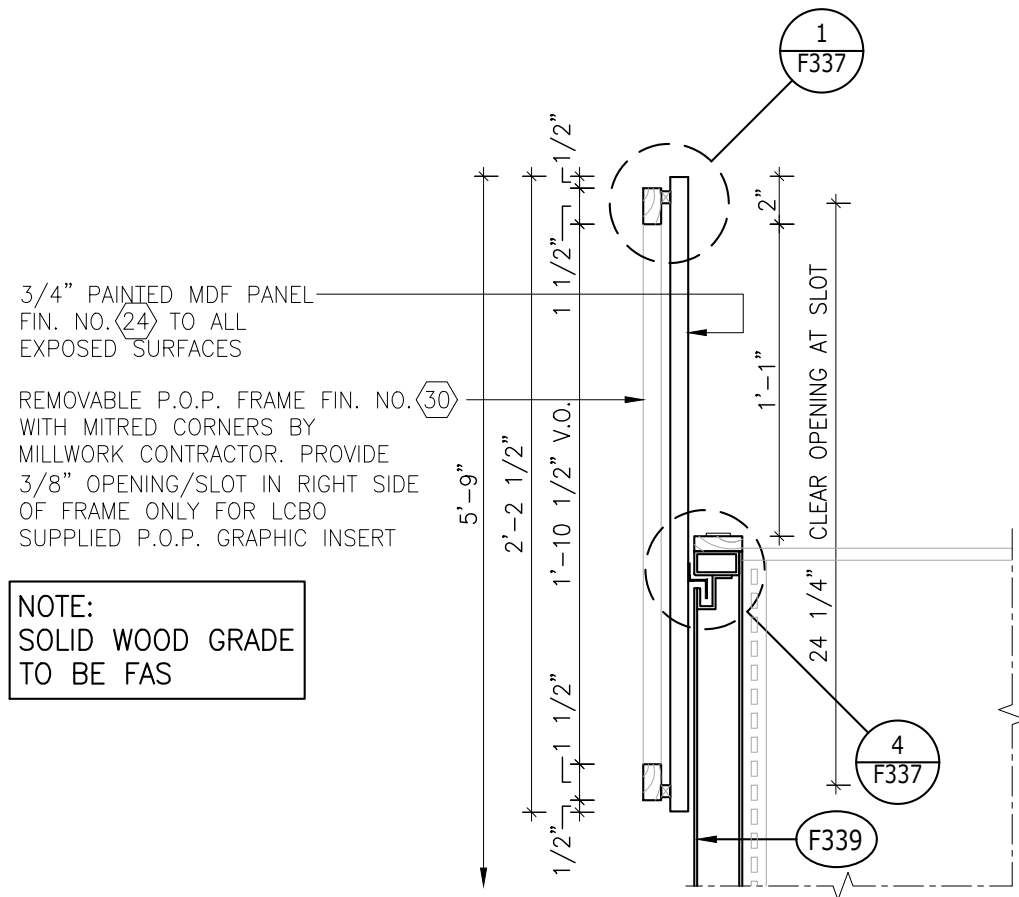


2 PLAN
F337 6" = 1'-0"

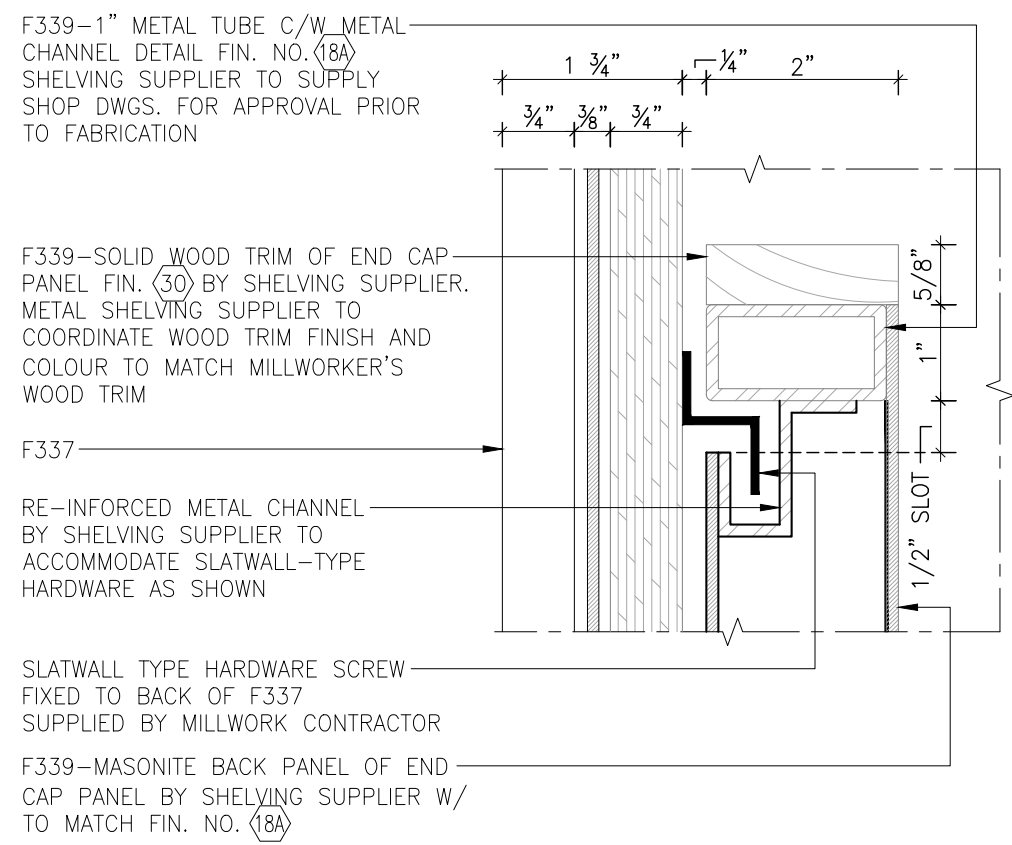
1 F337

3 F337

LCBO	300 VINTAGES	REVISION DATE	REV.	1 of 2	ISSUE DATE	STORE TYPE	STORE #
	VINTAGES REMOVABLE P.O.P. FRAME	2019 APR	16	F337	2021 APR		



3 SECTION
F337 1 1/2" = 1'-0"



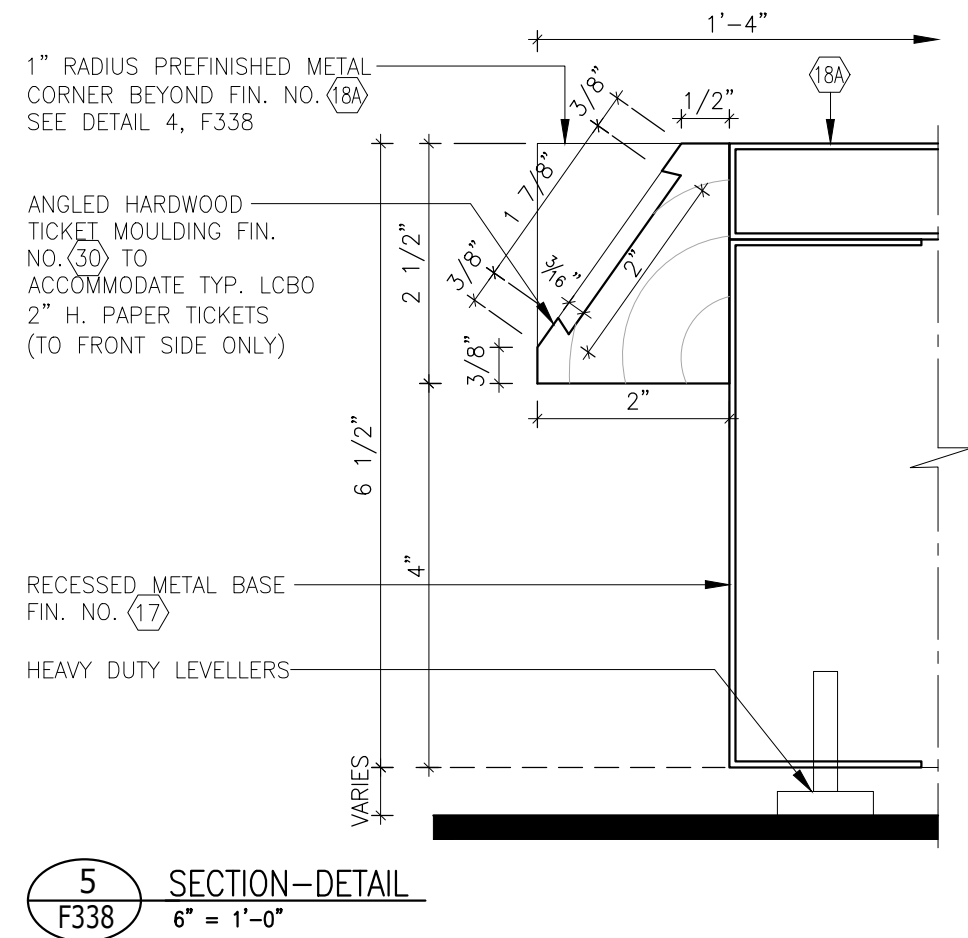
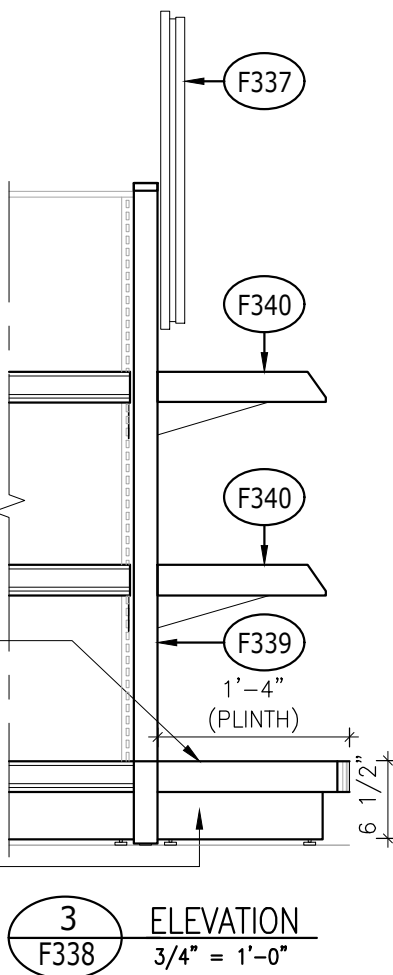
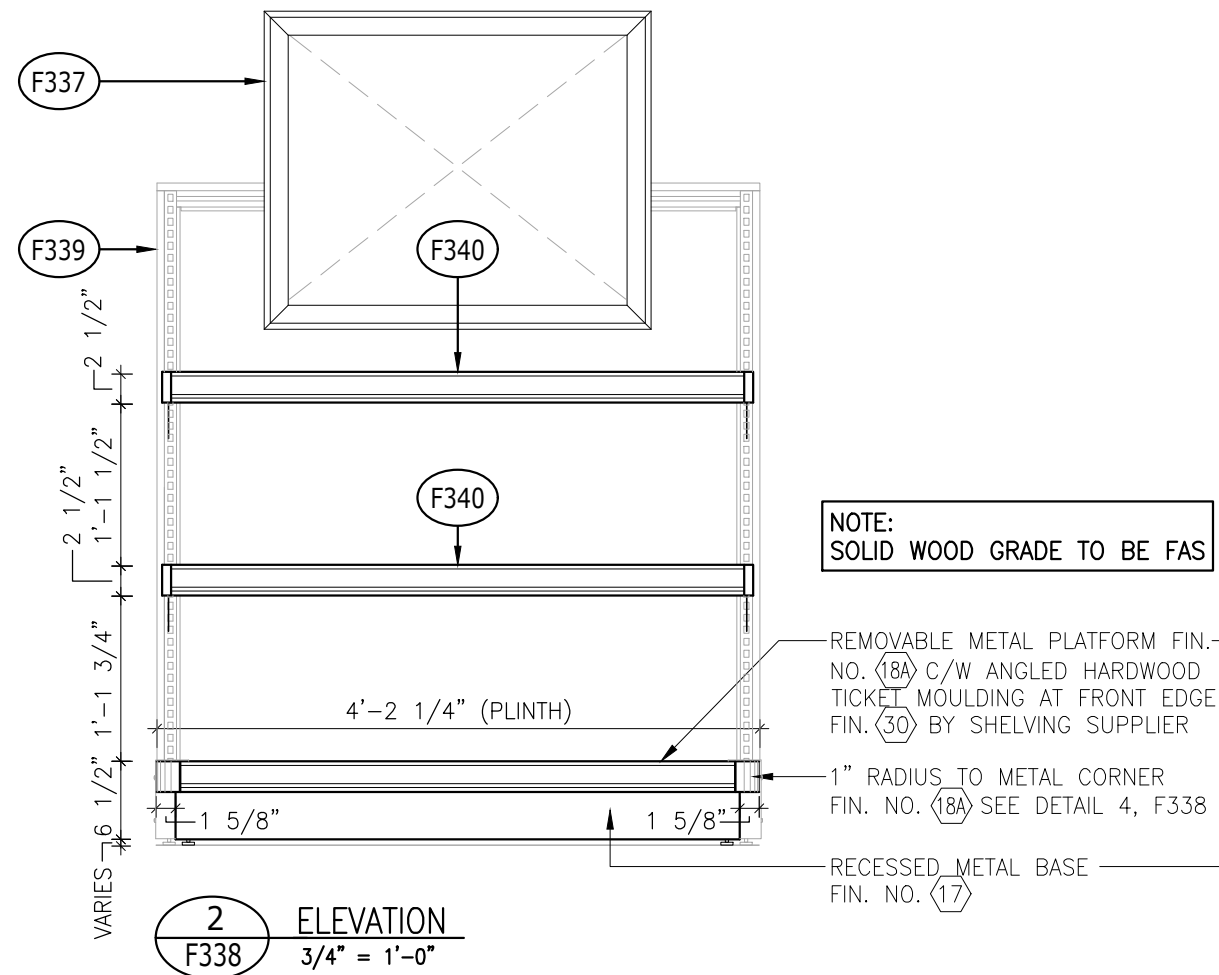
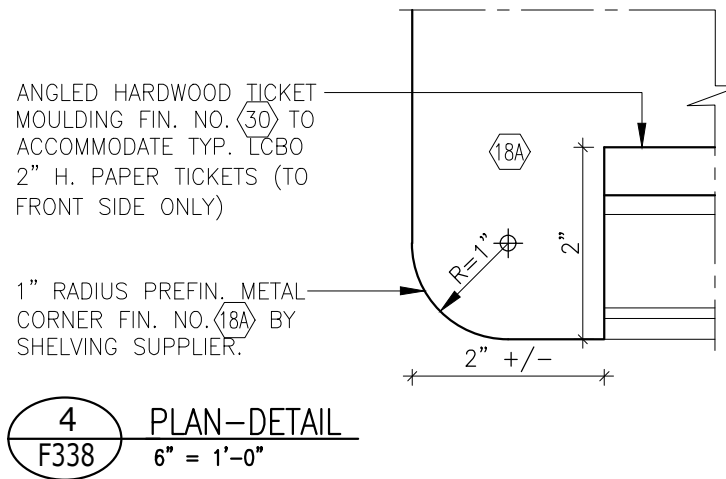
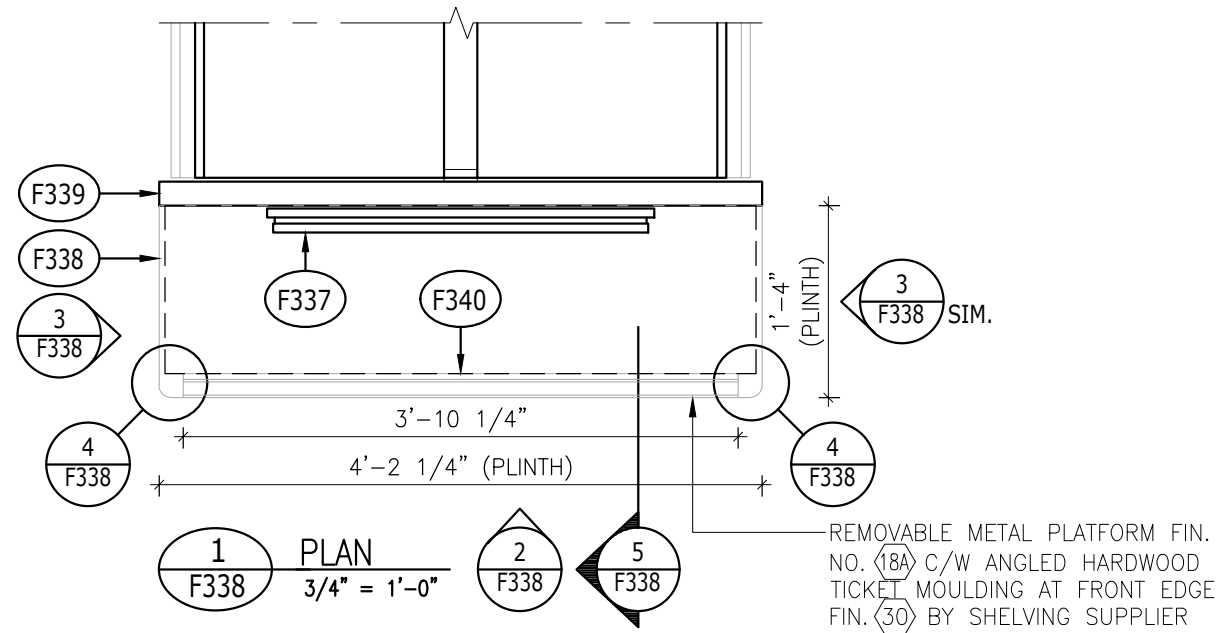
4 DETAIL
F337 6" = 1'-0"

CHALKBOARD PAINT
STUDIO FINISHES 307
W/FRESHSTART 563 PRIMER
BY BENJAMIN MOORE
TEL:(905) 813-3700
NOTE: CHALKBOARD LINES TO BE CLEAR GLOSS @ 2" O.C.
MILLWORK CONTRACTOR TO SUBMIT SAMPLE FOR APPROVAL

LCBO	300 VINTAGES	REVISION DATE	REV.	2 of 2	ISSUE DATE	STORE TYPE	STORE #
	VINTAGES REMOVABLE P.O.P. FRAME	2019 APR	16	F337	2021 APR		

GENERAL NOTES

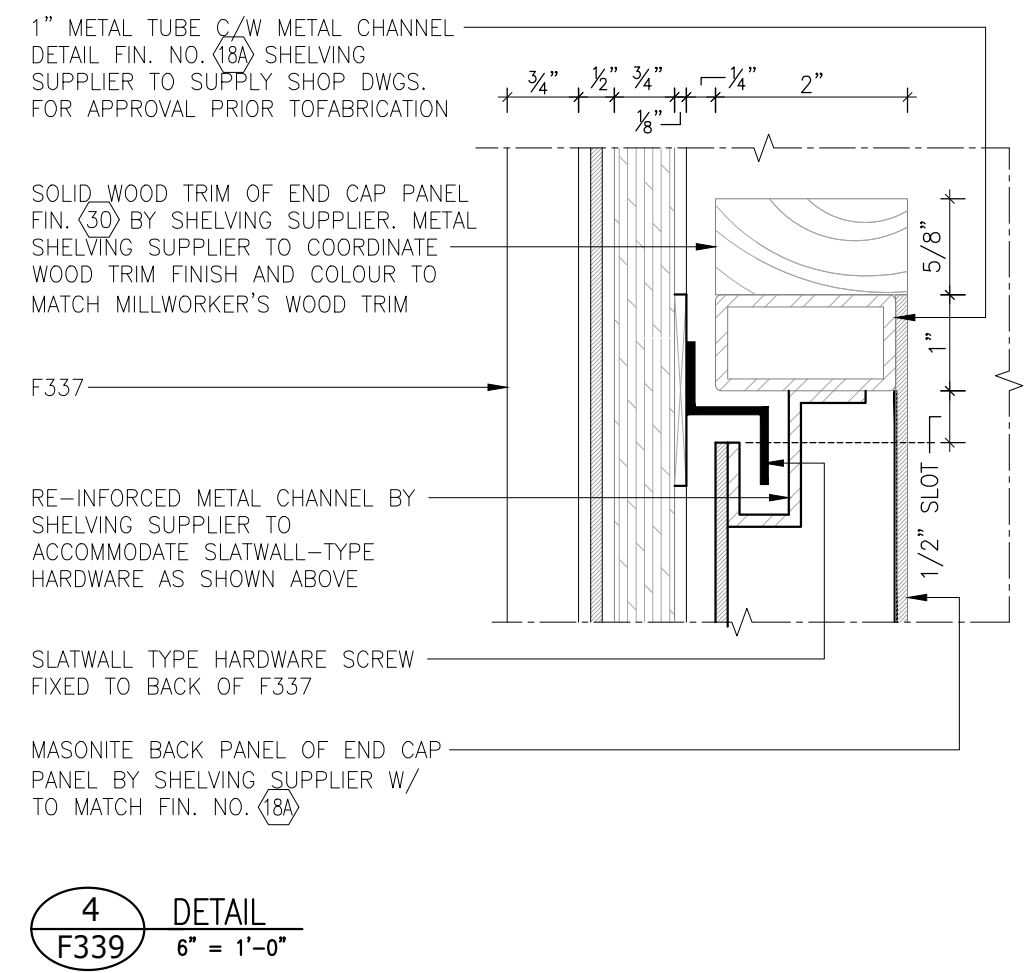
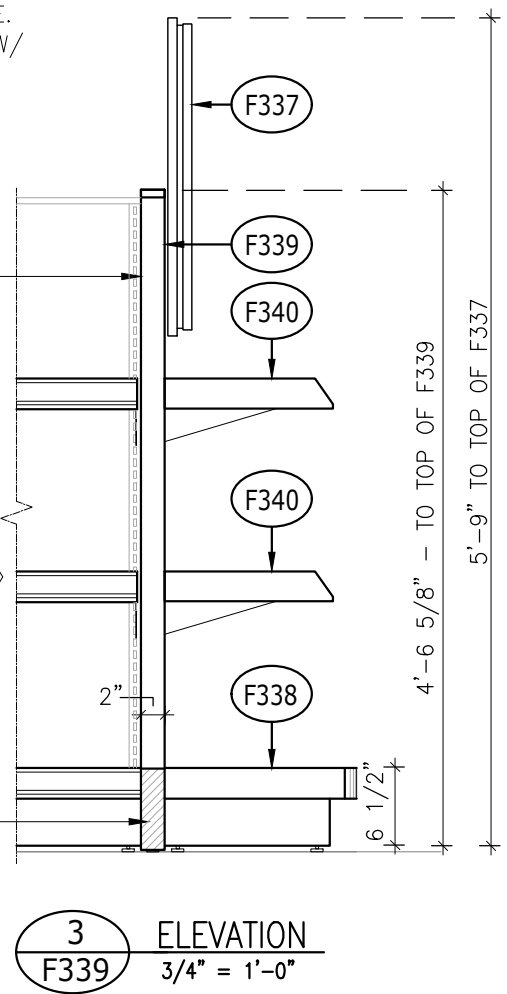
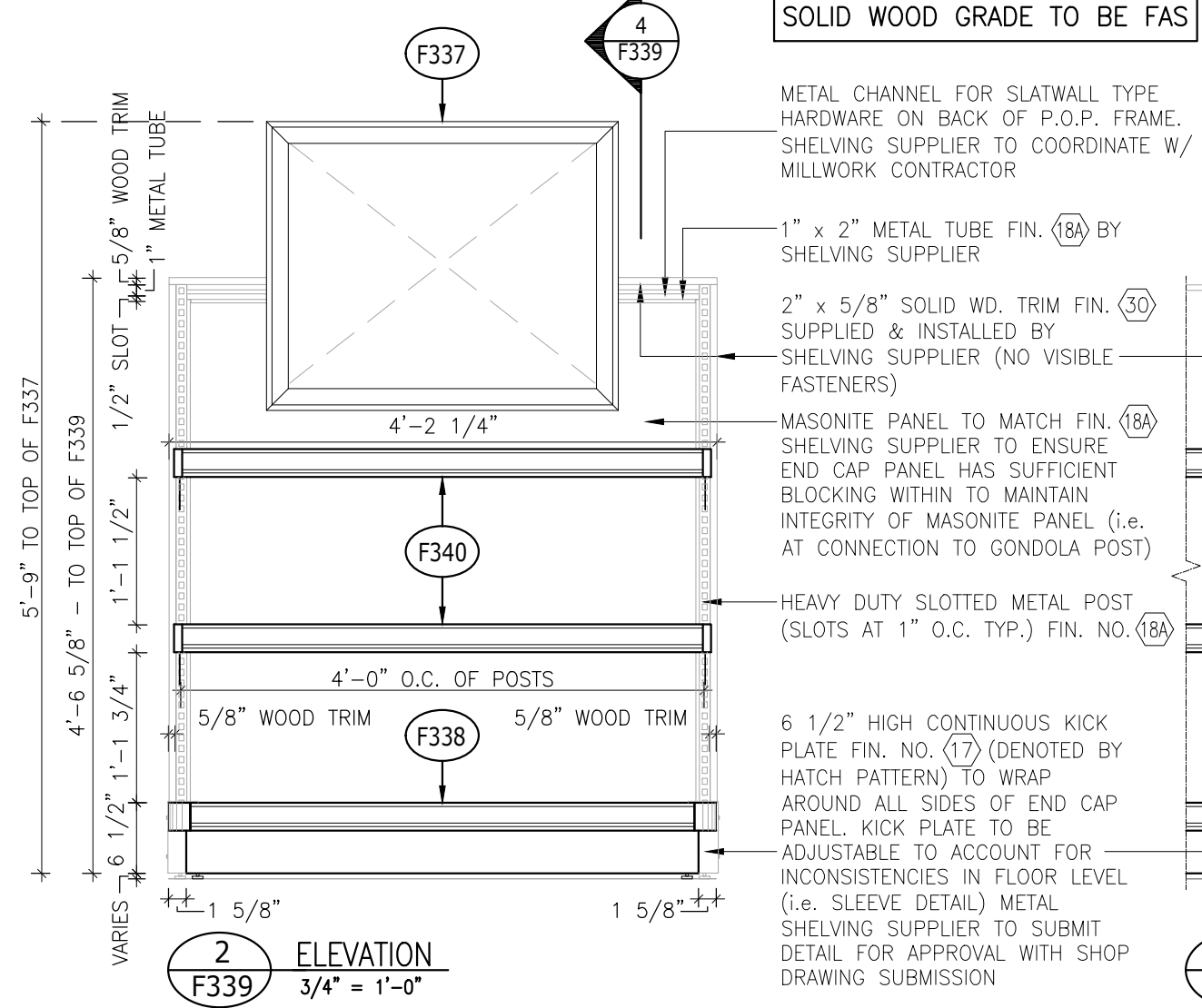
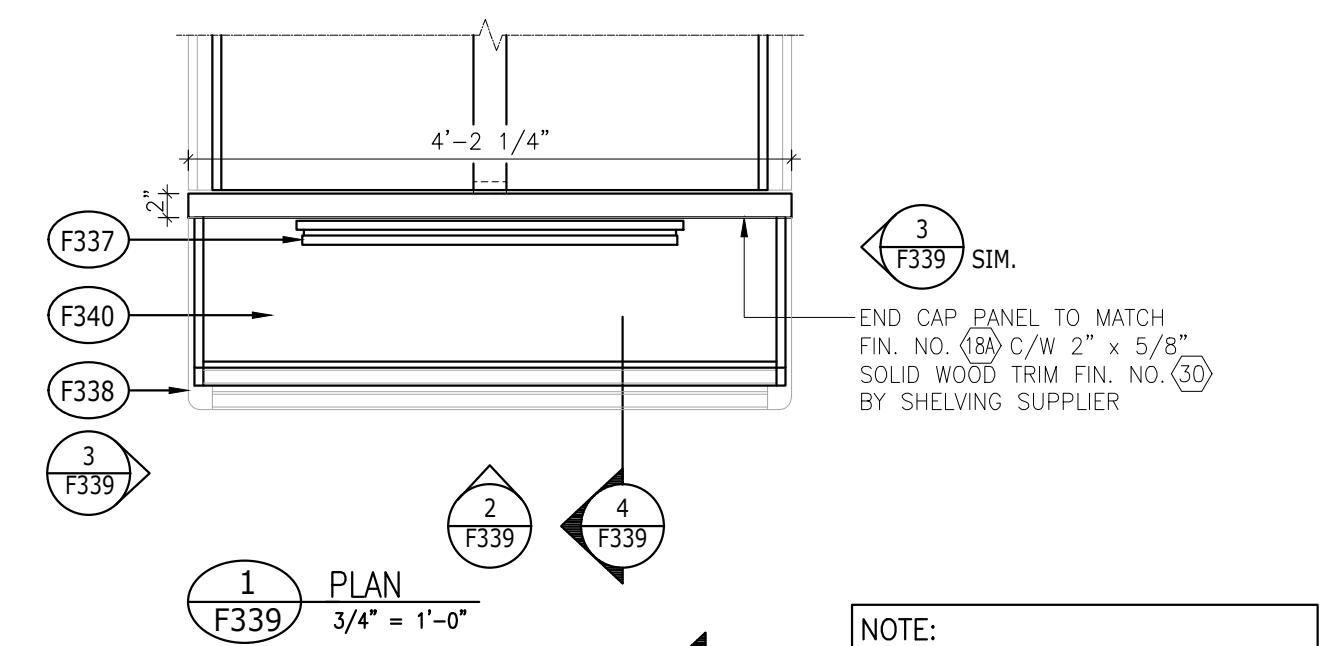
- DIMENSIONS SHOWN REFLECT SHELF & BASE DIMENSIONS ONLY & DO NOT TAKE METAL TICKET HOLDERS INTO ACCOUNT
- SHELVING SUPPLIER TO OBTAIN 2" HIGH PAPER TICKET SAMPLE FROM LCBO PRIOR TO FABRICATION TO ENSURE PROPER FIT WITHIN TICKET MOULDING. SUBMIT SAMPLE FOR APPROVAL
- PERFORATIONS IN REMOVABLE PLINTH ARE NOT ACCEPTABLE



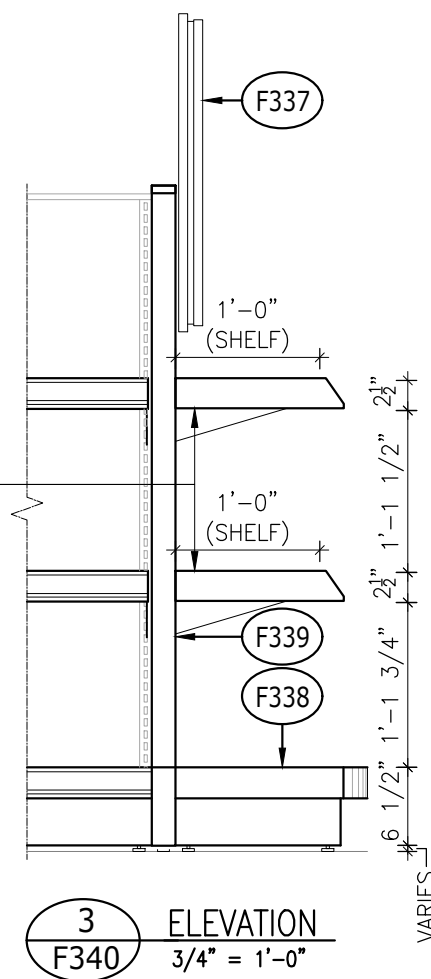
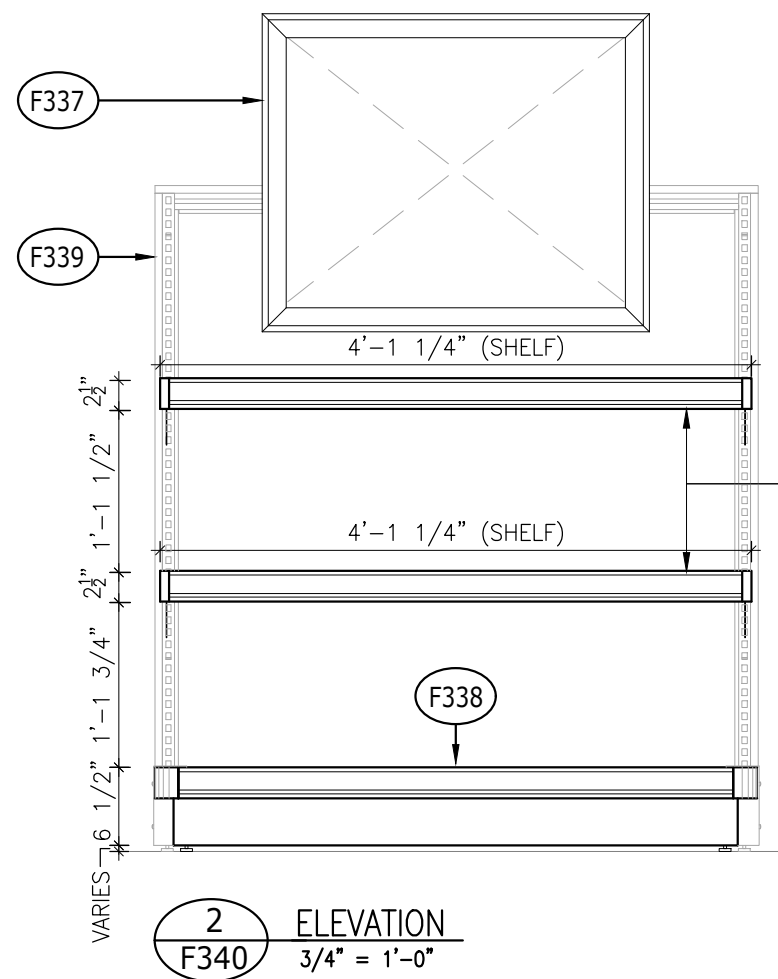
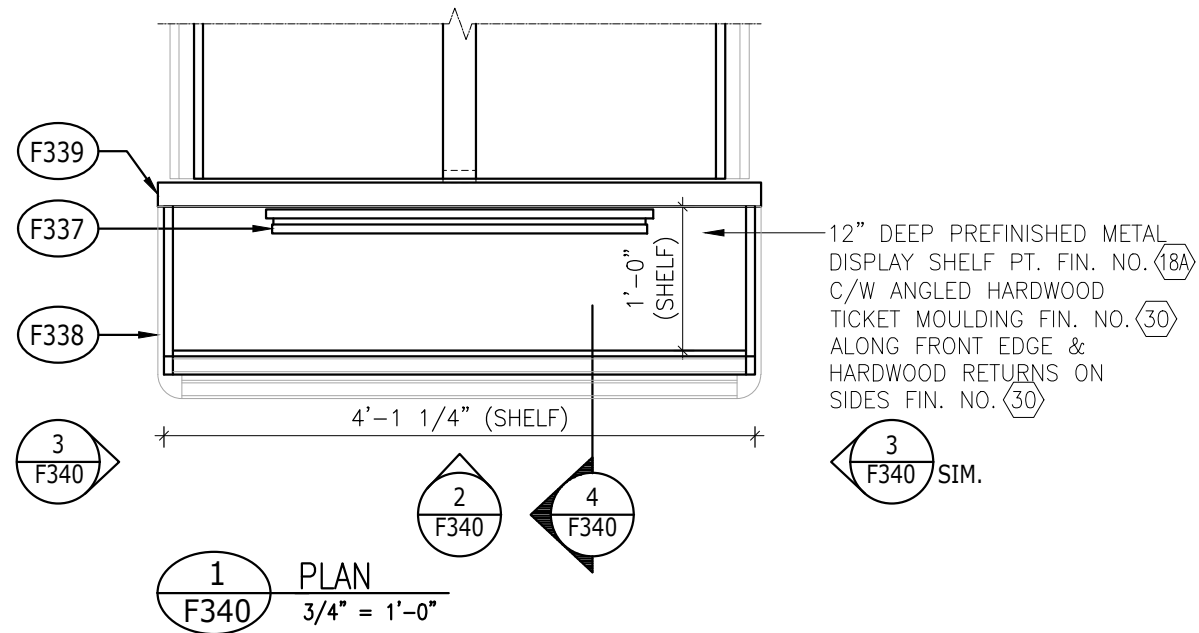
LCBO	300 VINTAGES	REVISION DATE	REV.	1 of 1	ISSUE DATE	STORE TYPE	STORE #
	VINTAGES METAL PLINTH (16" DEEP)	2019 APR	16	F338	2021 APR		

GENERAL NOTES

- DIMENSIONS SHOWN REFLECT SHELF & BASE DIMENSIONS ONLY & DO NOT TAKE METAL TICKET HOLDERS INTO ACCOUNT
- ALL ADJUSTMENTS TO COMPENSATE FOR NON-LEVEL FLOOR SURFACES TO BE MADE AT BOTTOM END OF POST
- GC TO CO-ORDINATE MILLWORK + METAL SHELF INSTALLATION
- END CAP PANELS (F339) TO BE SECURED TO END POSTS USING THRU-BOLTS, CONCEALED FROM CUSTOMER VIEW. METAL SHELVING SUPPLIER TO ENSURE END CAP PANEL HAS SUFFICIENT BLOCKING WITHIN TO MAINTAIN INTEGRITY OF MASONITE PANEL.



LCBO	300 VINTAGES	REVISION DATE	REV.	1 of 1	ISSUE DATE	STORE TYPE	STORE #
	VINTAGES 3-HIGH METAL GONDOLA END CAP PANEL	2019 APR	16	F339	2021 APR		

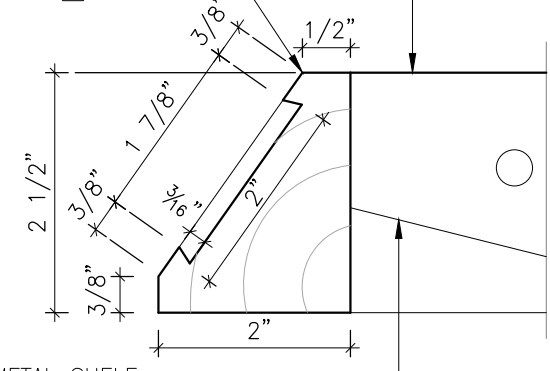


GENERAL NOTES

- SHELVING SUPPLIER TO OBTAIN 2" HIGH PAPER TICKET SAMPLE FROM LCBO PRIOR TO FABRICATION TO ENSURE PROPER FIT WITHIN TICKET MOULDING. SUBMIT SAMPLE FOR APPROVAL
- PERFORATIONS IN METAL SHELF ARE NOT ACCEPTABLE

12" DEEP PREFINISHED METAL DISPLAY SHELF PT. FIN. NO. (18A) C/W ANGLED HARDWOOD TICKET MOULDING FIN. NO. (30) ALONG FRONT EDGE & HARDWOOD RETURNS ON SIDES FIN. NO. (30)

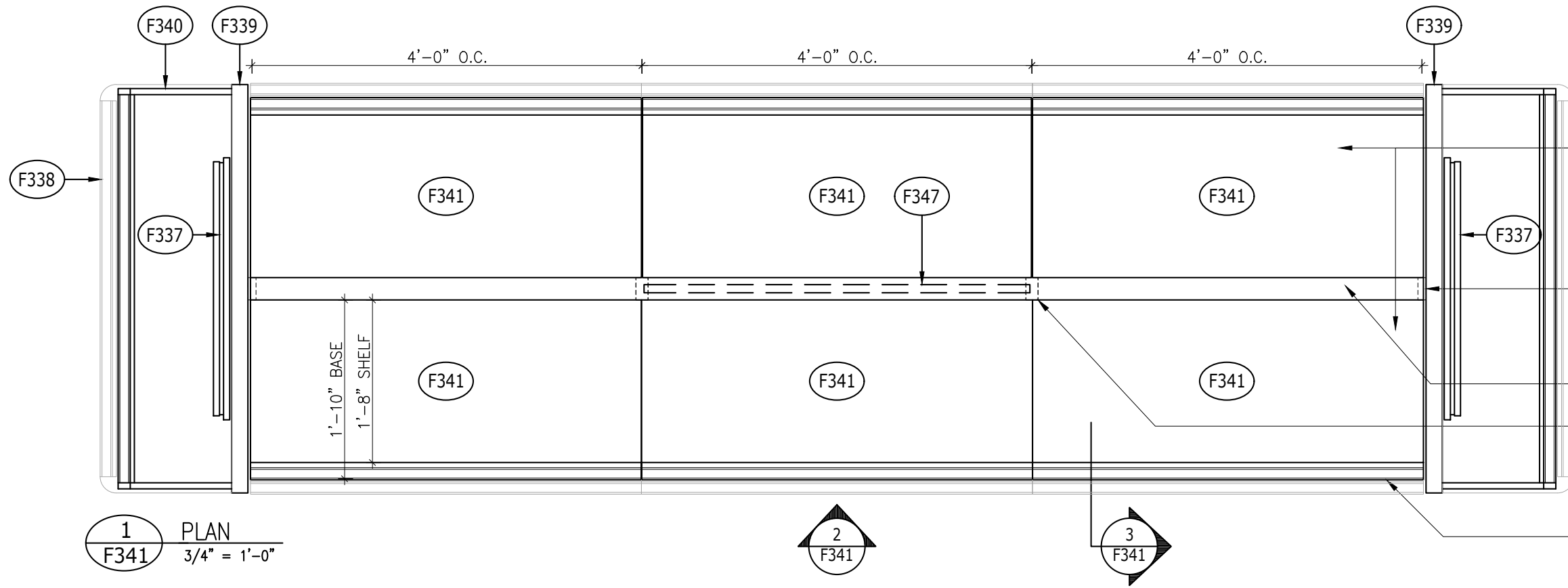
HARDWOOD TICKET MOULDING (ANGLED) FIN. NO. (30)



PREFINISHED METAL SHELF & BRACKET FIN. NO. (18A) BY METAL SHELVING SUPPLIER

4 DETAIL
6" = 1'-0"

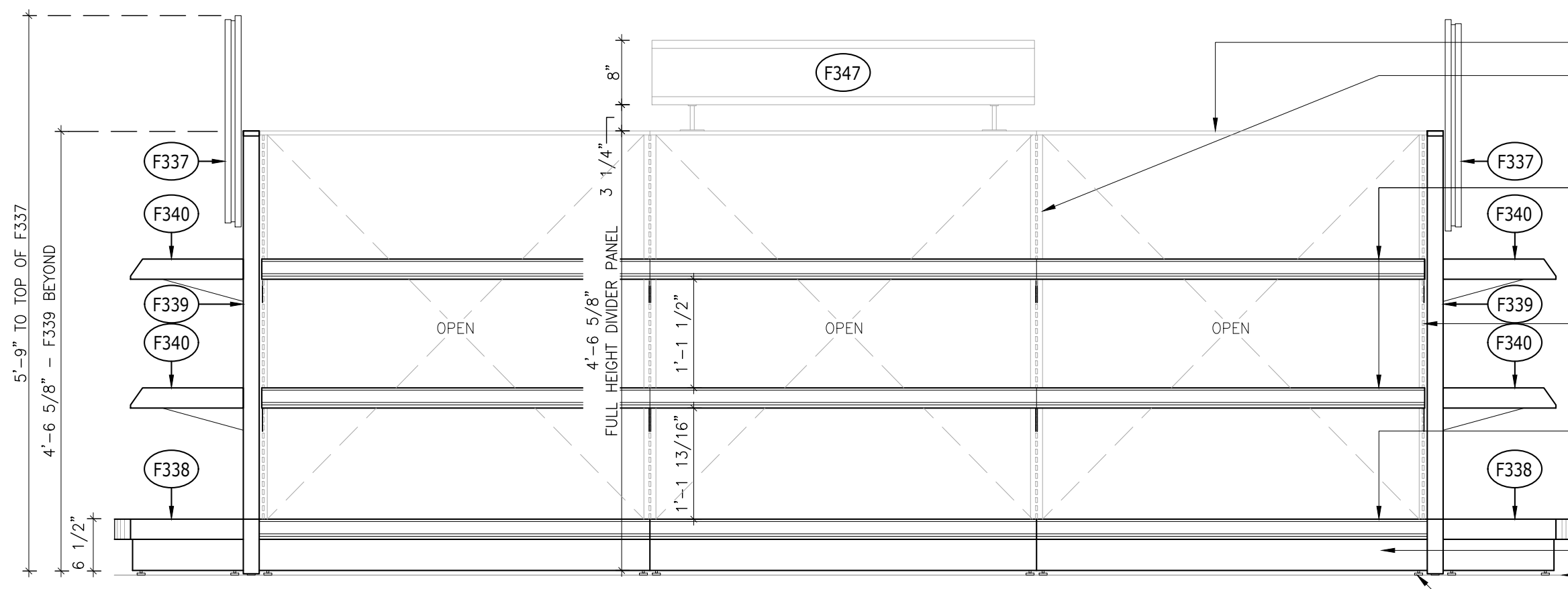
LCBO	300 VINTAGES	REVISION DATE	REV.	1 of 1	ISSUE DATE	STORE TYPE	STORE #
	VINTAGES GONDOLA END METAL DISPLAY SHELVES W/ WOOD TICKET MOULDING	2019 APR	16	F340	2021 APR		



1 PLAN
F341 3/4" = 1'-0"

NOTE:
SOLID WOOD GRADE TO BE FAS

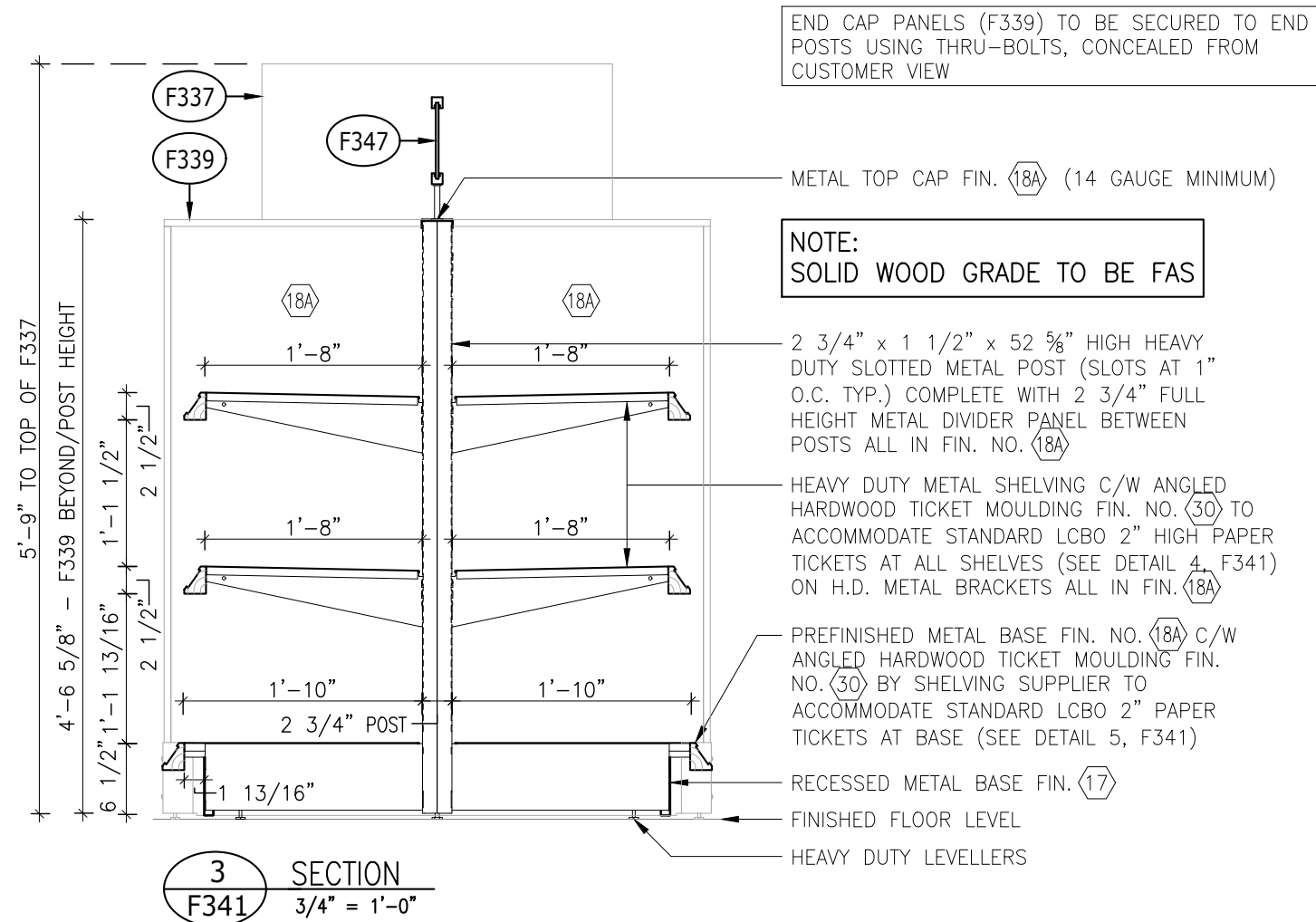
- HEAVY DUTY METAL SHELVING C/W ANGLED HARDWOOD TICKET MOULDING FIN. NO. (30) TO ACCOMMODATE STANDARD LCBO 2" HIGH PAPER TICKETS AT ALL SHELVES (SEE DETAIL 4, F341) ON H.D. METAL BRACKETS ALL IN FIN. (18A)
- ALL END POSTS TO BE MODIFIED AS REQUIRED TO ENSURE THAT THERE ARE NO GAPS BETWEEN METAL SHELVES AND END GABLES (FILLER STRIPS ARE NOT ACCEPTABLE)
- METAL TOP CAP FIN. (18A) (14 GAUGE MIN.)
- 2 3/4" x 1 1/2" x 52 5/8" HIGH HEAVY DUTY SLOTTED METAL POST (SLOTS AT 1" O.C. TYP.) COMPLETE WITH 2 3/4" FULL HEIGHT METAL DIVIDER PANEL BETWEEN POSTS ALL IN FIN. NO. (18A)
- PREFINISHED METAL BASE FIN. NO. (18A) C/W ANGLED HARDWOOD TICKET MOULDING FIN. NO. (30) BY SHELVING SUPPLIER TO ACCOMMODATE STANDARD LCBO 2" PAPER TICKETS AT BASE (SEE DETAIL 5, F341)



2 ELEVATION
F341 3/4" = 1'-0"

- METAL TOP CAP FIN. (18A) (14 GAUGE MIN.)
- 2 3/4" x 1 1/2" x 52 5/8" HIGH HEAVY DUTY SLOTTED METAL POST (SLOTS AT 1" O.C. TYP.) COMPLETE WITH 2 3/4" FULL HEIGHT METAL DIVIDER PANEL BETWEEN POSTS ALL IN FIN. NO. (18A)
- HEAVY DUTY METAL SHELVING C/W ANGLED HARDWOOD TICKET MOULDING FIN. NO. (30) TO ACCOMMODATE STANDARD LCBO 2" HIGH PAPER TICKETS AT ALL SHELVES (SEE DETAIL 4, F341) ON H.D. METAL BRACKETS ALL IN FIN. (18A)
- ALL END POSTS TO BE MODIFIED AS REQUIRED TO ENSURE THAT THERE ARE NO GAPS BETWEEN METAL SHELVES AND END GABLES (FILLER STRIPS ARE NOT ACCEPTABLE)
- PREFINISHED METAL BASE FIN. NO. (18A) C/W ANGLED HARDWOOD TICKET MOULDING FIN. NO. (30) BY SHELVING SUPPLIER TO ACCOMMODATE STANDARD LCBO 2" PAPER TICKETS AT BASE (SEE DETAIL 5, F341)
- RECESSED METAL BASE FIN. (17)
- FINISHED FLOOR LEVEL
- HEAVY DUTY LEVELLERS

LCBO	300 VINTAGES	REVISION DATE	REV.	1 of 2	ISSUE DATE	STORE TYPE	STORE #
	VINTAGES 4'-0" GONDOLA (3 SHELVES) C/W WOOD TICKET MOULDINGS	2019 APR	16	F341	2021 APR		

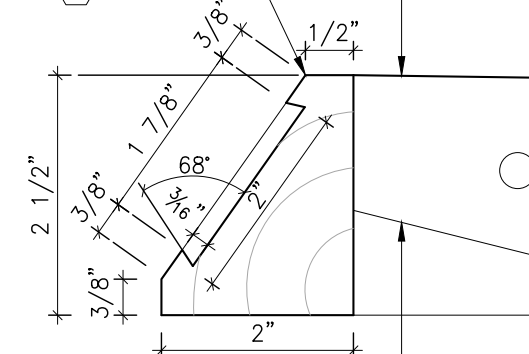


GENERAL NOTES

- DIMENSIONS SHOWN REFLECT SHELF & BASE DIMENSIONS ONLY & DO NOT TAKE WOOD TICKET HOLDERS INTO ACCOUNT
- ALL ADJUSTMENTS TO COMPENSATE FOR NON-LEVEL FLOOR SURFACES TO BE MADE AT BOTTOM END OF POST
- END CAP PANELS (F339) TO BE SECURED TO END POSTS USING THRU-BOLTS, CONCEALED FROM CUSTOMER VIEW
- SHELVING SUPPLIER TO OBTAIN 2" HIGH PAPER TICKET SAMPLE FROM LCBO PRIOR TO FABRICATION TO ENSURE PROPER FIT WITHIN TICKET MOULDING. SUBMIT SAMPLE FOR APPROVAL
- GC TO ENSURE ALL SHELVES ARE IN EXACT ALIGNMENT AND ARE TRUE & LEVEL. PERFORATED SHELVES ARE ACCEPTABLE.
- ALL END POSTS TO BE MODIFIED AS REQUIRED TO ENSURE THAT THERE ARE NO GAPS BETWEEN METAL SHELVES AND END GABLES (FILLER STRIPS ARE NOT ACCEPTABLE)

PREFINISHED HEAVY DUTY METAL SHELVING FIN. NO. (18A) C/W ANGLED HARDWOOD TICKET MOULDINGS FIN. NO. (30) TO ACCOMMODATE STANDARD LCBO 2" HIGH PAPER TICKETS AT ALL SHELVES ON H.D. METAL BRACKETS ALL IN FIN.

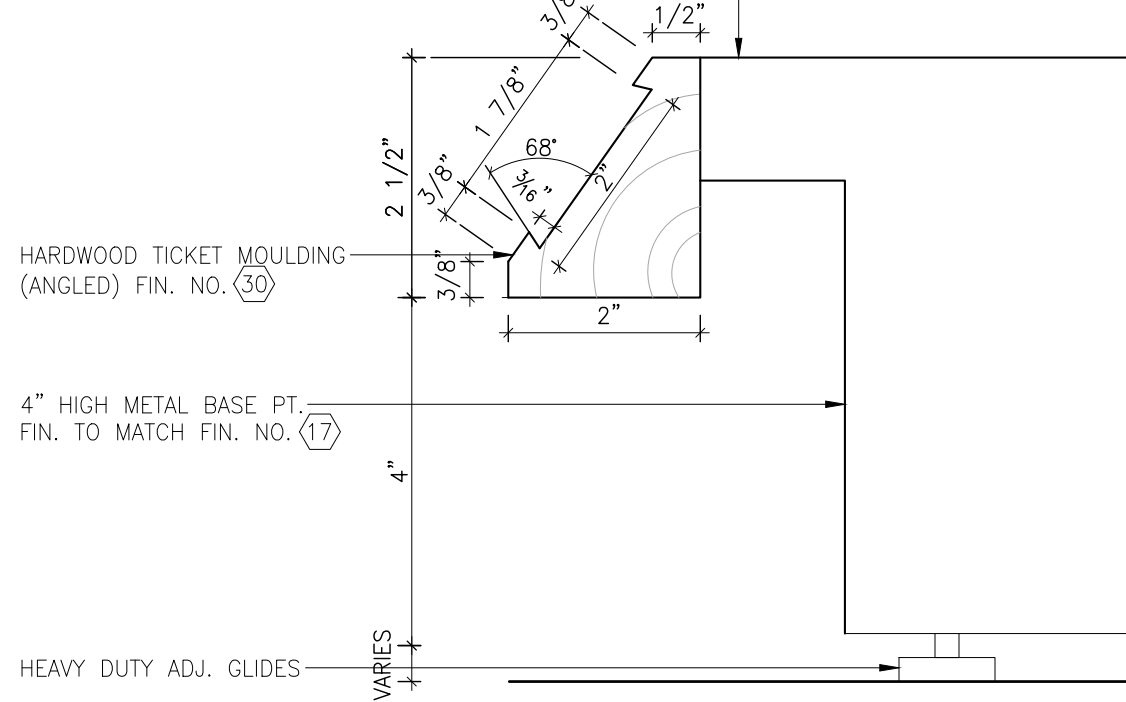
HARDWOOD TICKET MOULDING (ANGLED) FIN. NO. (30)



METAL SHELF & BRACKET FIN. NO. (18A) BY METAL SHELVING SUPPLIER

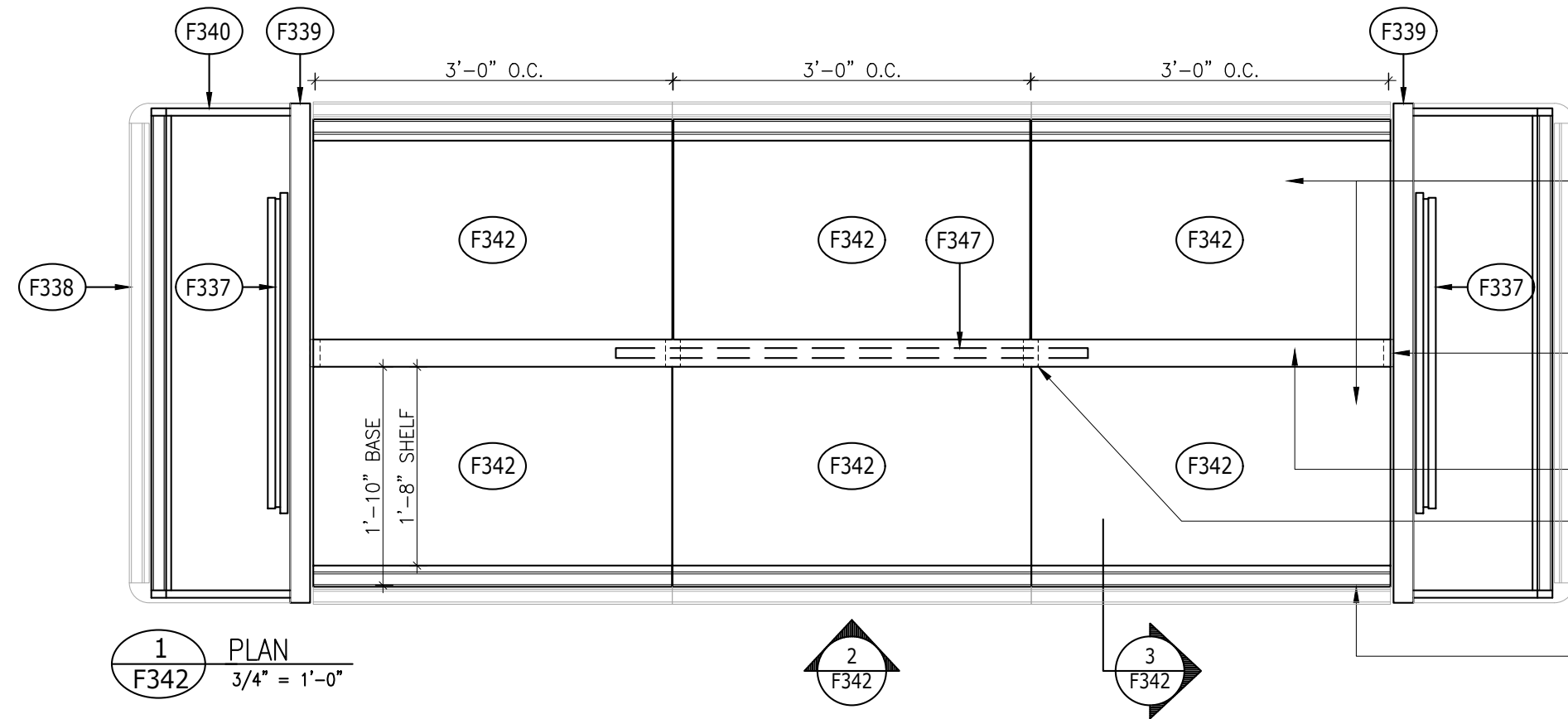
4 DETAIL
F341 6" = 1'-0"

PREFINISHED HEAVY DUTY METAL BASE FIN. NO. (18A) C/W ANGLED HARDWOOD TICKET MOULDING FIN. NO. (30) TO ACCOMMODATE STANDARD LCBO 2" HIGH PAPER TICKETS



5 DETAIL
F341 6" = 1'-0"

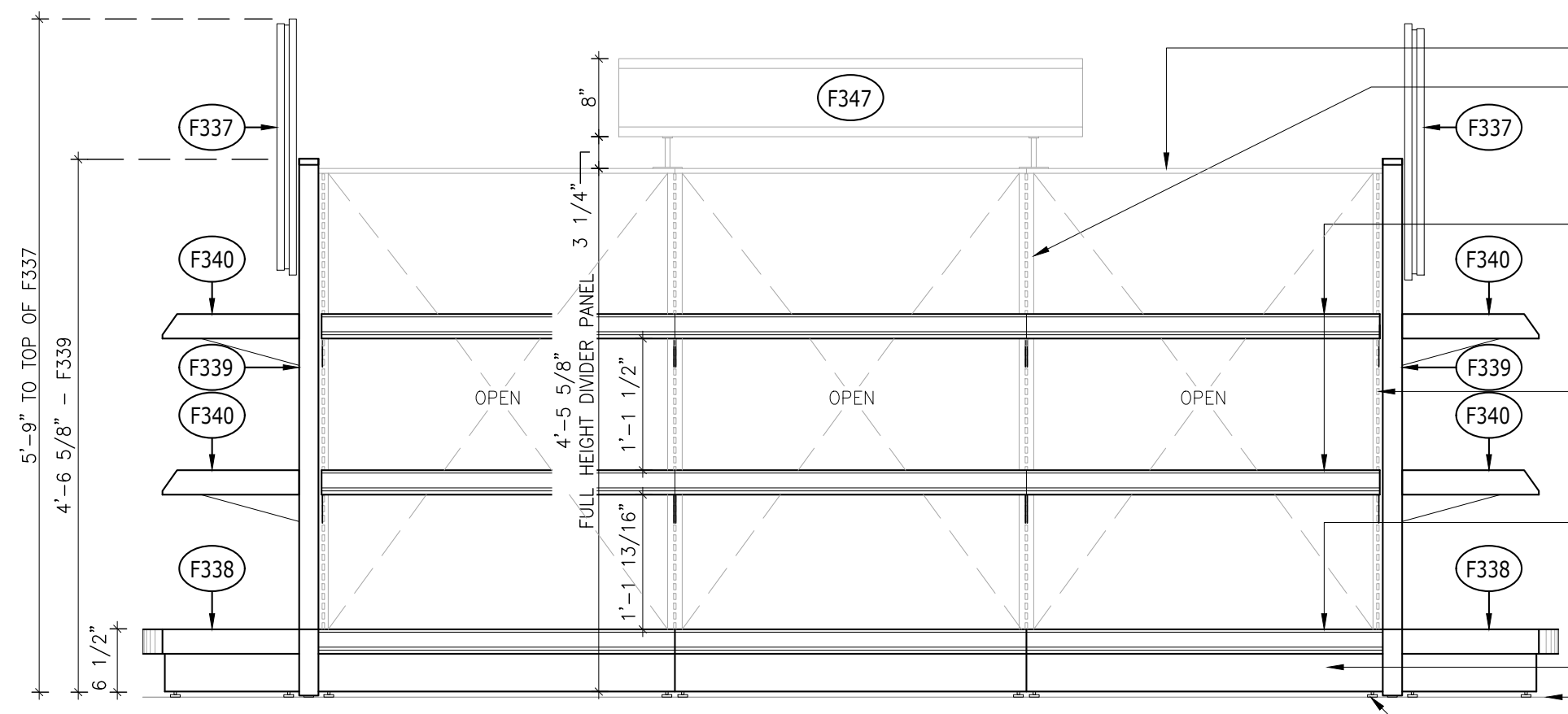
LCBO	300 VINTAGES	REVISION DATE	REV.	2 of 2	ISSUE DATE	STORE TYPE	STORE #
	VINTAGES 4'-0" GONDOLA (3 SHELVES) C/W WOOD TICKET MOULDINGS	2019 APR	16	F341	2021 APR		



1 PLAN
F342 3/4" = 1'-0"

NOTE:
SOLID WOOD GRADE TO BE FAS

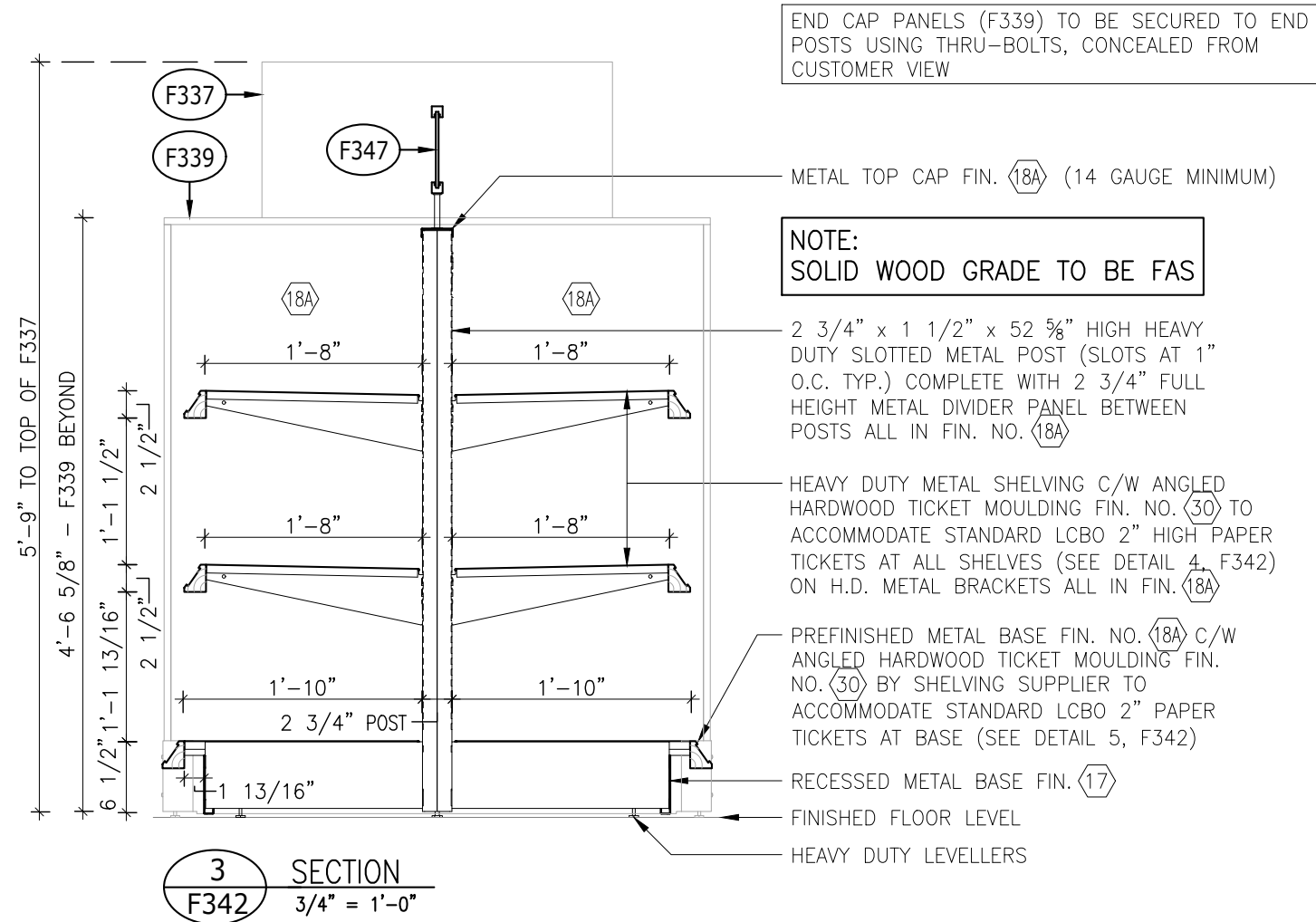
- HEAVY DUTY METAL SHELVING C/W ANGLED HARDWOOD TICKET MOULDING FIN. NO. (30) TO ACCOMMODATE STANDARD LCBO 2" HIGH PAPER TICKETS AT ALL SHELVES (SEE DETAIL 4, F342) ON H.D. METAL BRACKETS ALL IN FIN. (18A)
- ALL END POSTS TO BE MODIFIED AS REQUIRED TO ENSURE THAT THERE ARE NO GAPS BETWEEN METAL SHELVES AND END GABLES (FILLER STRIPS ARE NOT ACCEPTABLE)
- METAL TOP CAP FIN. (18A) (14 GAUGE MIN.)
- 2 3/4" x 1 1/2" x 52 5/8" HIGH HEAVY DUTY SLOTTED METAL POST (SLOTS AT 1" O.C. TYP.) COMPLETE WITH 2 3/4" FULL HEIGHT METAL DIVIDER PANEL BETWEEN POSTS ALL IN FIN. NO. (18A)
- PREFINISHED METAL BASE FIN. NO. (18A) C/W ANGLED HARDWOOD TICKET MOULDING FIN. NO. (30) BY SHELVING SUPPLIER TO ACCOMMODATE STANDARD LCBO 2" PAPER TICKETS AT BASE (SEE DETAIL 5, F342)



2 ELEVATION
F342 3/4" = 1'-0"

- METAL TOP CAP FIN. (18A) (14 GAUGE MIN.)
- 2 3/4" x 1 1/2" x 52 5/8" HIGH HEAVY DUTY SLOTTED METAL POST (SLOTS AT 1" O.C. TYP.) COMPLETE WITH 2 3/4" FULL HEIGHT METAL DIVIDER PANEL BETWEEN POSTS ALL IN FIN. NO. (18A)
- HEAVY DUTY METAL SHELVING C/W ANGLED HARDWOOD TICKET MOULDING FIN. NO. (30) TO ACCOMMODATE STANDARD LCBO 2" HIGH PAPER TICKETS AT ALL SHELVES (SEE DETAIL 4, F342) ON H.D. METAL BRACKETS ALL IN FIN. (18A)
- ALL END POSTS TO BE MODIFIED AS REQUIRED TO ENSURE THAT THERE ARE NO GAPS BETWEEN METAL SHELVES AND END GABLES (FILLER STRIPS ARE NOT ACCEPTABLE)
- PREFINISHED METAL BASE FIN. NO. (18A) C/W ANGLED HARDWOOD TICKET MOULDING FIN. NO. (30) BY SHELVING SUPPLIER TO ACCOMMODATE STANDARD LCBO 2" PAPER TICKETS AT BASE (SEE DETAIL 5, F342)
- RECESSED METAL BASE FIN. (17)
- FINISHED FLOOR LEVEL
- HEAVY DUTY LEVELLERS

LCBO	300 VINTAGES	REVISION DATE	REV.	1 of 2	ISSUE DATE	STORE TYPE	STORE #
	VINTAGES 3'-0" GONDOLA (3 SHELVES) C/W WOOD TICKET MOULDINGS	2019 APR	16	F342	2021 APR		

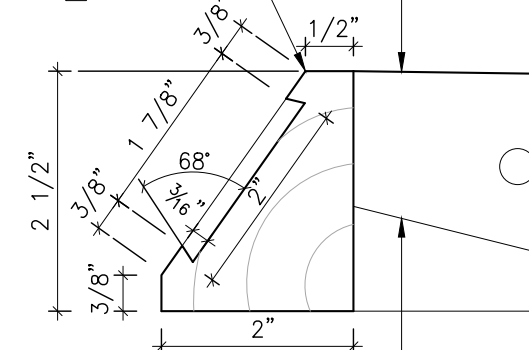


GENERAL NOTES

- DIMENSIONS SHOWN REFLECT SHELF & BASE DIMENSIONS ONLY & DO NOT TAKE WOOD TICKET HOLDERS INTO ACCOUNT
- ALL ADJUSTMENTS TO COMPENSATE FOR NON-LEVEL FLOOR SURFACES TO BE MADE AT BOTTOM END OF POST
- END CAP PANELS (F339) TO BE SECURED TO END POSTS USING THRU-BOLTS, CONCEALED FROM CUSTOMER VIEW
- SHELVING SUPPLIER TO OBTAIN 2" HIGH PAPER TICKET SAMPLE FROM LCBO PRIOR TO FABRICATION TO ENSURE PROPER FIT WITHIN TICKET MOULDING. SUBMIT SAMPLE FOR APPROVAL
- GC TO ENSURE ALL SHELVES ARE IN EXACT ALIGNMENT AND ARE TRUE & LEVEL. PERFORATED SHELVES ARE ACCEPTABLE.
- ALL END POSTS TO BE MODIFIED AS REQUIRED TO ENSURE THAT THERE ARE NO GAPS BETWEEN METAL SHELVES AND END GABLES (FILLER STRIPS ARE NOT ACCEPTABLE)

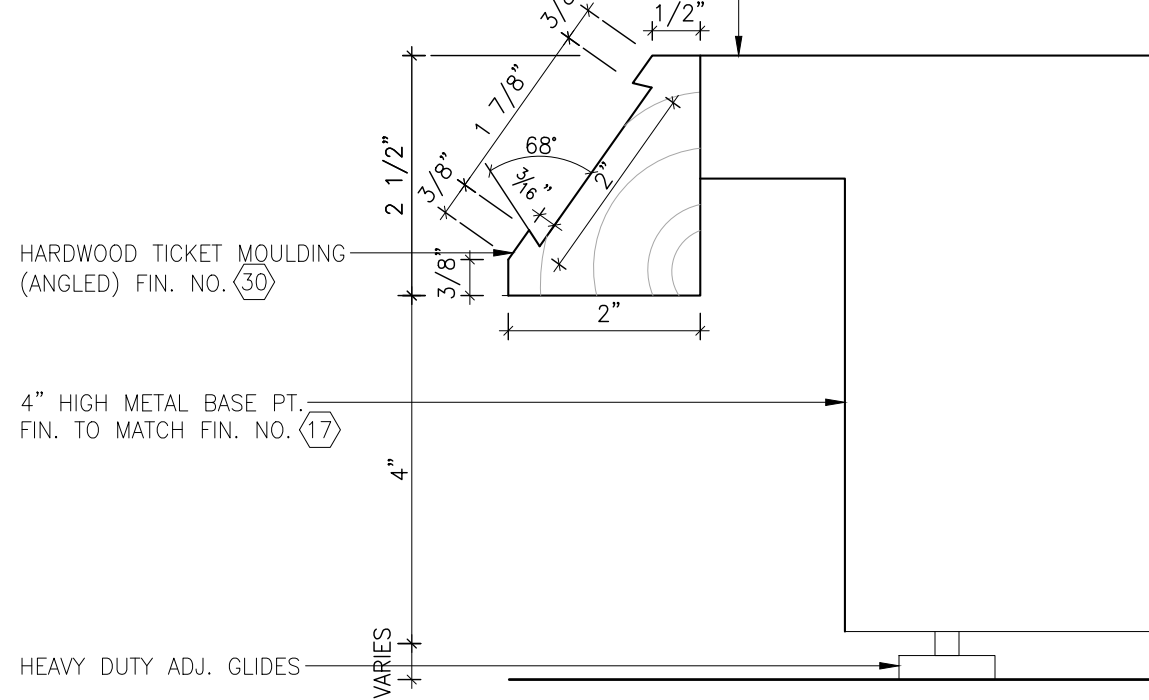
PREFINISHED HEAVY DUTY METAL SHELVING FIN. NO. (18A) C/W ANGLED HARDWOOD TICKET MOULDINGS FIN. NO. (30) TO ACCOMMODATE STANDARD LCBO 2" HIGH PAPER TICKETS AT ALL SHELVES ON H.D. METAL BRACKETS ALL IN FIN.

HARDWOOD TICKET MOULDING (ANGLED) FIN. NO. (30)

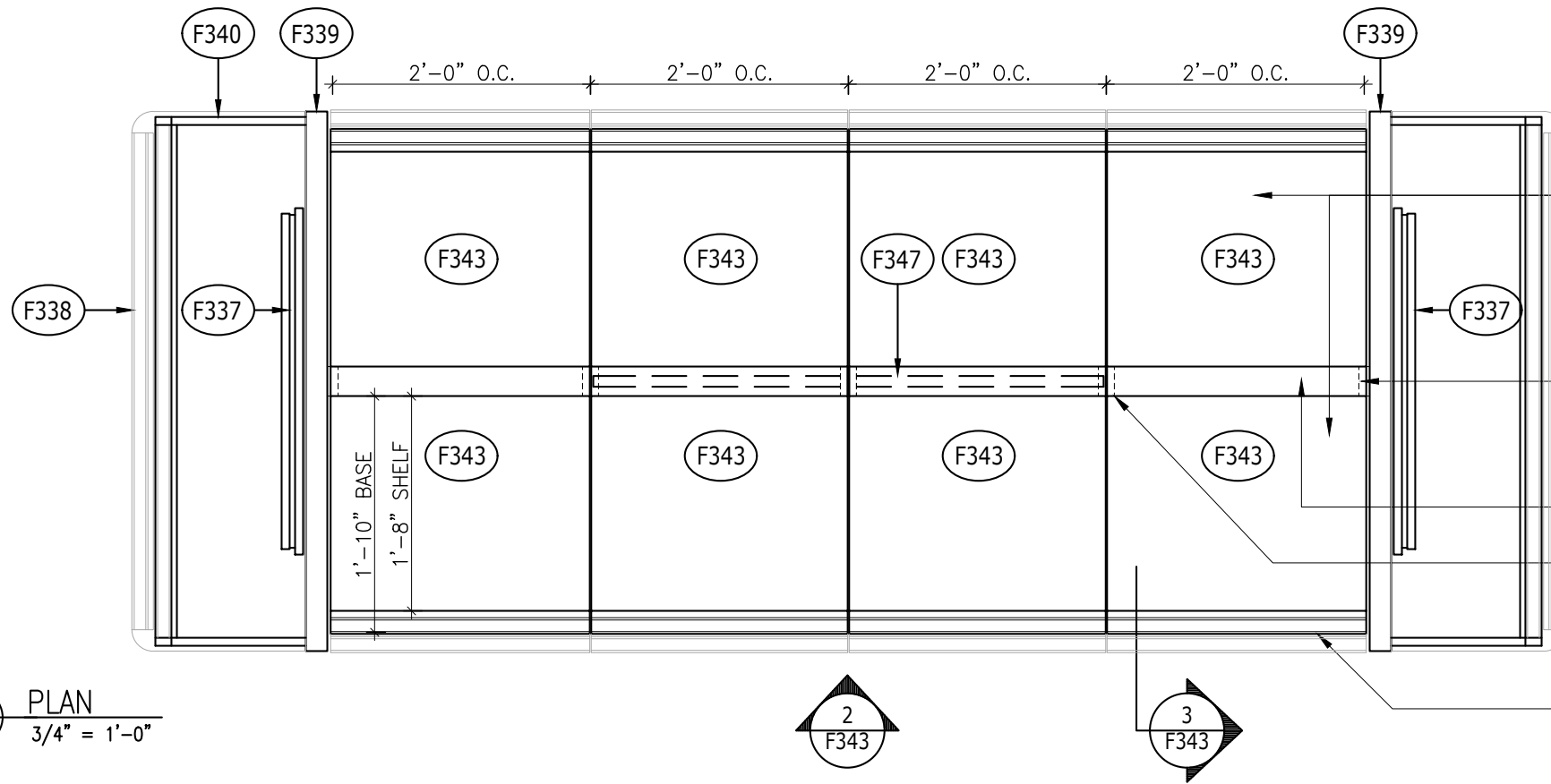


METAL SHELF & BRACKET FIN. NO. (18A) BY METAL SHELVING SUPPLIER

PREFINISHED HEAVY DUTY METAL BASE FIN. NO. (18A) C/W ANGLED HARDWOOD TICKET MOULDING FIN. NO. (30) TO ACCOMMODATE STANDARD LCBO 2" HIGH PAPER TICKETS



LCBO	300 VINTAGES	REVISION DATE	REV.	2 of 2	ISSUE DATE	STORE TYPE	STORE #
	VINTAGES 3'-0" GONDOLA (3 SHELVES) C/W WOOD TICKET MOULDINGS	2019 APR	16	F342	2021 APR		



1 PLAN
F343 3/4" = 1'-0"

NOTE:
SOLID WOOD GRADE TO BE FAS

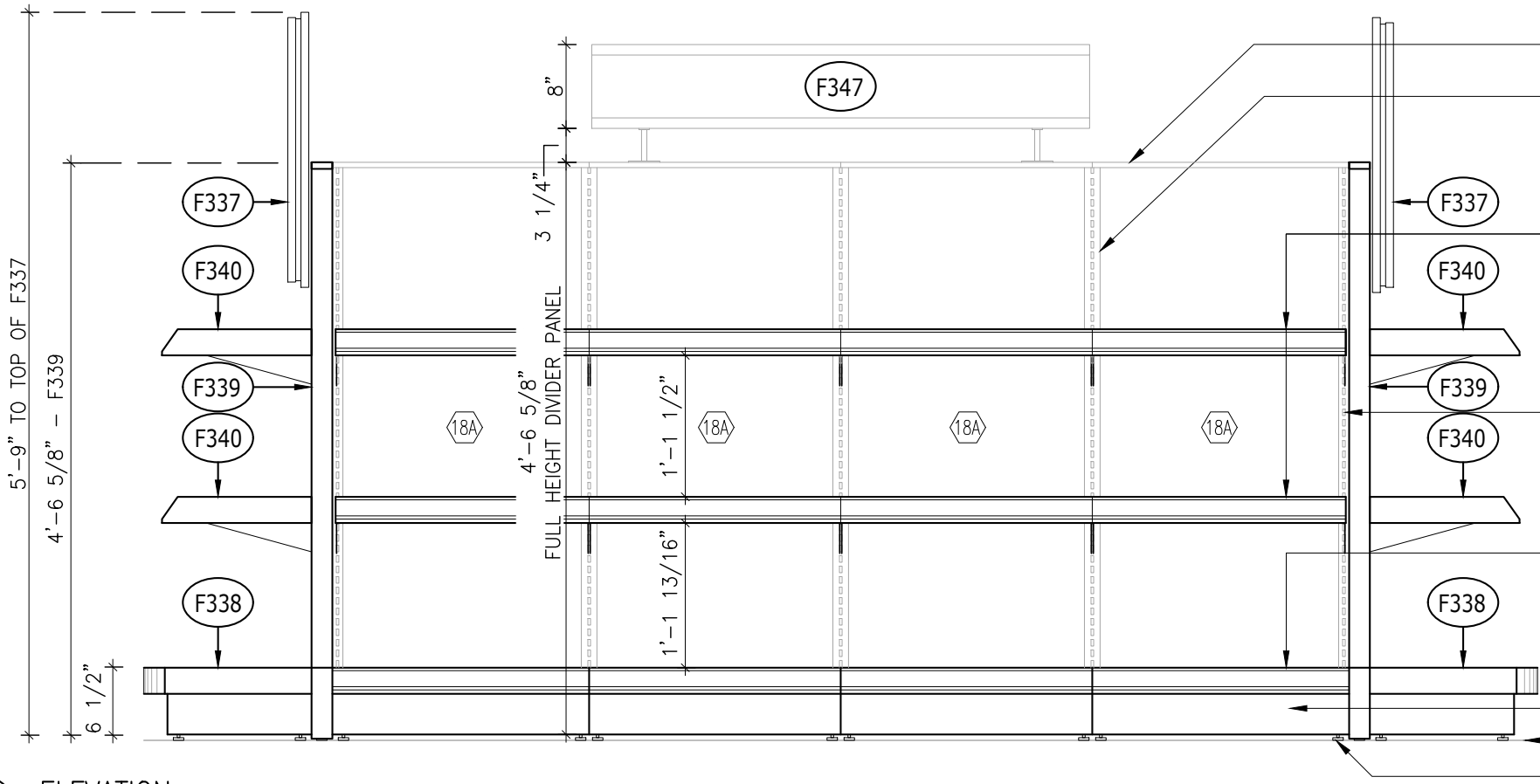
HEAVY DUTY METAL SHELVING C/W ANGLED HARDWOOD TICKET HOLDERS FIN. NO. (30) TO ACCOMMODATE STANDARD LCBO 2" HIGH PAPER TICKETS AT ALL SHELVES (SEE DETAIL 4, F343) ON H.D. METAL BRACKETS ALL IN FIN. (18A)

ALL END POSTS TO BE MODIFIED AS REQUIRED TO ENSURE THAT THERE ARE NO GAPS BETWEEN METAL SHELVES AND END GABLES (FILLER STRIPS ARE NOT ACCEPTABLE)

METAL TOP CAP FIN. (18A) (14 GAUGE MIN.)

2 3/4" x 1 1/2" x 54 5/8" HIGH HEAVY DUTY SLOTTED METAL POST (SLOTS AT 1" O.C. TYP.) COMPLETE WITH 2 3/4" FULL HEIGHT METAL DIVIDER PANEL BETWEEN POSTS ALL IN FIN. NO. (18A)

PREFINISHED METAL BASE FIN. NO. (18A) C/W ANGLED HARDWOOD TICKET MOULDING FIN. NO. (30) BY SHELVING SUPPLIER TO ACCOMMODATE STANDARD LCBO 2" PAPER TICKETS AT BASE (SEE DETAIL 5, F343)



2 ELEVATION
F343 3/4" = 1'-0"

METAL TOP CAP FIN. (18A) (14 GAUGE MIN.)

2 3/4" x 1 1/2" x 54 5/8" HIGH HEAVY DUTY SLOTTED METAL POST (SLOTS AT 1" O.C. TYP.) COMPLETE WITH 2 3/4" FULL HEIGHT METAL DIVIDER PANEL BETWEEN POSTS ALL IN FIN. NO. (18A)

HEAVY DUTY METAL SHELVING C/W ANGLED HARDWOOD TICKET HOLDERS FIN. NO. (30) TO ACCOMMODATE STANDARD LCBO 2" HIGH PAPER TICKETS AT ALL SHELVES (SEE DETAIL 4, F343) ON H.D. METAL BRACKETS ALL IN FIN. (18A)

ALL END POSTS TO BE MODIFIED AS REQUIRED TO ENSURE THAT THERE ARE NO GAPS BETWEEN METAL SHELVES AND END GABLES (FILLER STRIPS ARE NOT ACCEPTABLE)

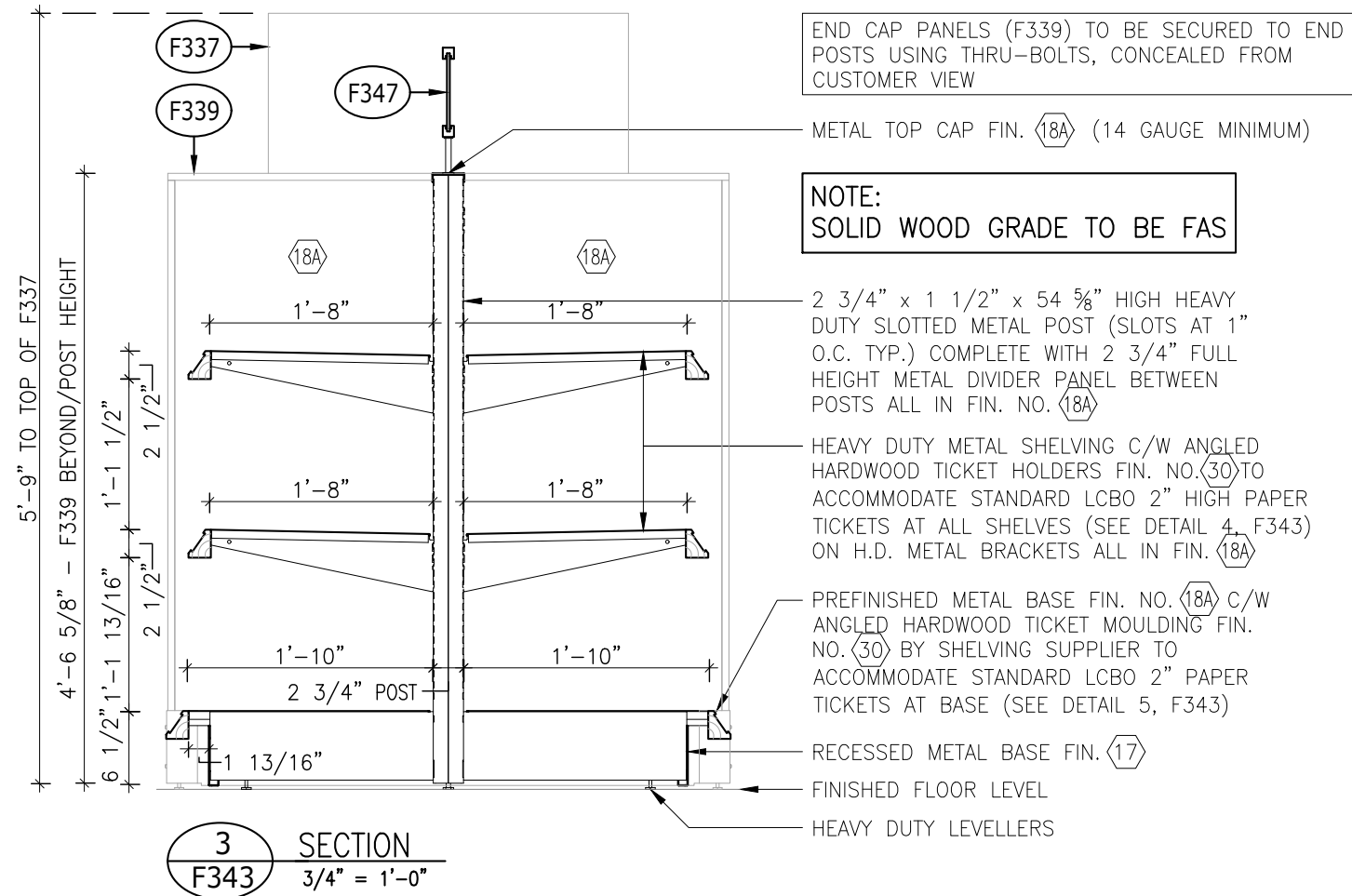
PREFINISHED METAL BASE FIN. NO. (18A) C/W ANGLED HARDWOOD TICKET MOULDING FIN. NO. (30) BY SHELVING SUPPLIER TO ACCOMMODATE STANDARD LCBO 2" PAPER TICKETS AT BASE (SEE DETAIL 5, F343)

RECESSED METAL BASE FIN. (17)

FINISHED FLOOR LEVEL

HEAVY DUTY LEVELLERS

LCBO	300 VINTAGES	REVISION DATE	REV.	1 of 2	ISSUE DATE	STORE TYPE	STORE #
	VINTAGES 2'-0" CONVERTIBLE GONDOLA (3 SHELVES) C/W WOOD TICKET MOULDINGS	2019 APR	16	F343	2021 APR		

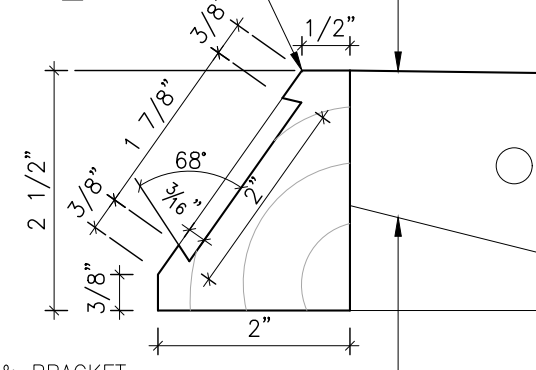


GENERAL NOTES

- DIMENSIONS SHOWN REFLECT SHELF & BASE DIMENSIONS ONLY & DO NOT TAKE WOOD TICKET HOLDERS INTO ACCOUNT
- ALL ADJUSTMENTS TO COMPENSATE FOR NON-LEVEL FLOOR SURFACES TO BE MADE AT BOTTOM END OF POST
- END CAP PANELS (F339) TO BE SECURED TO END POSTS USING THRU-BOLTS, CONCEALED FROM CUSTOMER VIEW
- SHELVING SUPPLIER TO OBTAIN 2" HIGH PAPER TICKET SAMPLE FROM LCBO PRIOR TO FABRICATION TO ENSURE PROPER FIT WITHIN TICKET MOULDING. SUBMIT SAMPLE FOR APPROVAL
- GC TO ENSURE ALL SHELVES ARE IN EXACT ALIGNMENT AND ARE TRUE & LEVEL. PERFORATED SHELVES ARE ACCEPTABLE.
- ALL END POSTS TO BE MODIFIED AS REQUIRED TO ENSURE THAT THERE ARE NO GAPS BETWEEN METAL SHELVES AND END GABLES (FILLER STRIPS ARE NOT ACCEPTABLE)

PREFINISHED HEAVY DUTY METAL SHELVING FIN. NO. (18A) C/W ANGLED HARDWOOD TICKET MOULDINGS FIN. NO. (30) TO ACCOMMODATE STANDARD LCBO 2" HIGH PAPER TICKETS AT ALL SHELVES ON H.D. METAL BRACKETS ALL IN FIN.

HARDWOOD TICKET MOULDING (ANGLED) FIN. NO. (30)



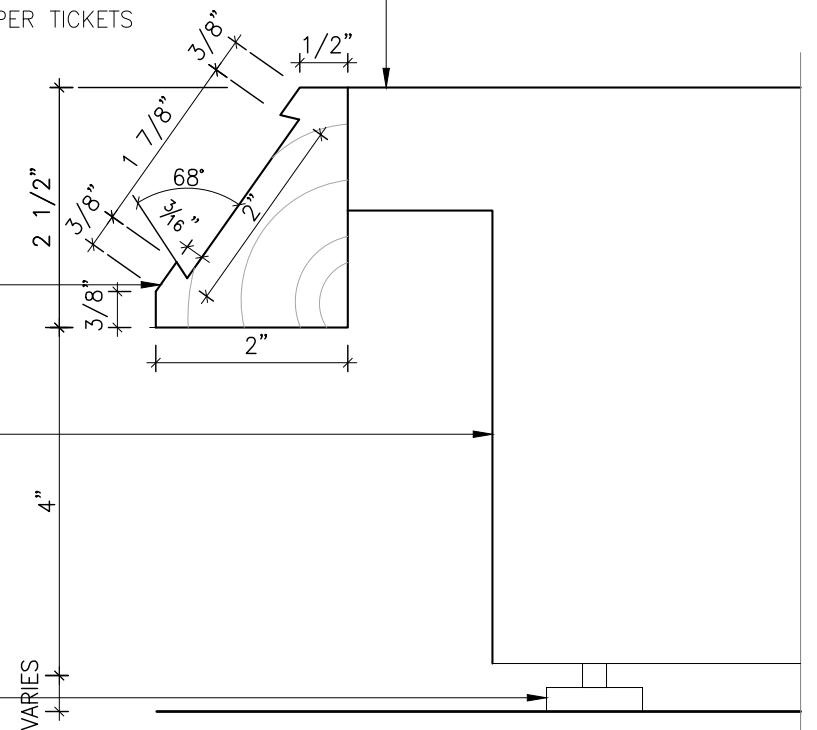
METAL SHELF & BRACKET FIN. NO. (18A) BY METAL SHELVING SUPPLIER

PREFINISHED HEAVY DUTY METAL BASE FIN. NO. (18A) C/W ANGLED HARDWOOD TICKET MOULDING FIN. NO. (30) TO ACCOMMODATE STANDARD LCBO 2" HIGH PAPER TICKETS

HARDWOOD TICKET MOULDING (ANGLED) FIN. NO. (30)

4" HIGH METAL BASE PT. FIN. TO MATCH FIN. NO. (17)

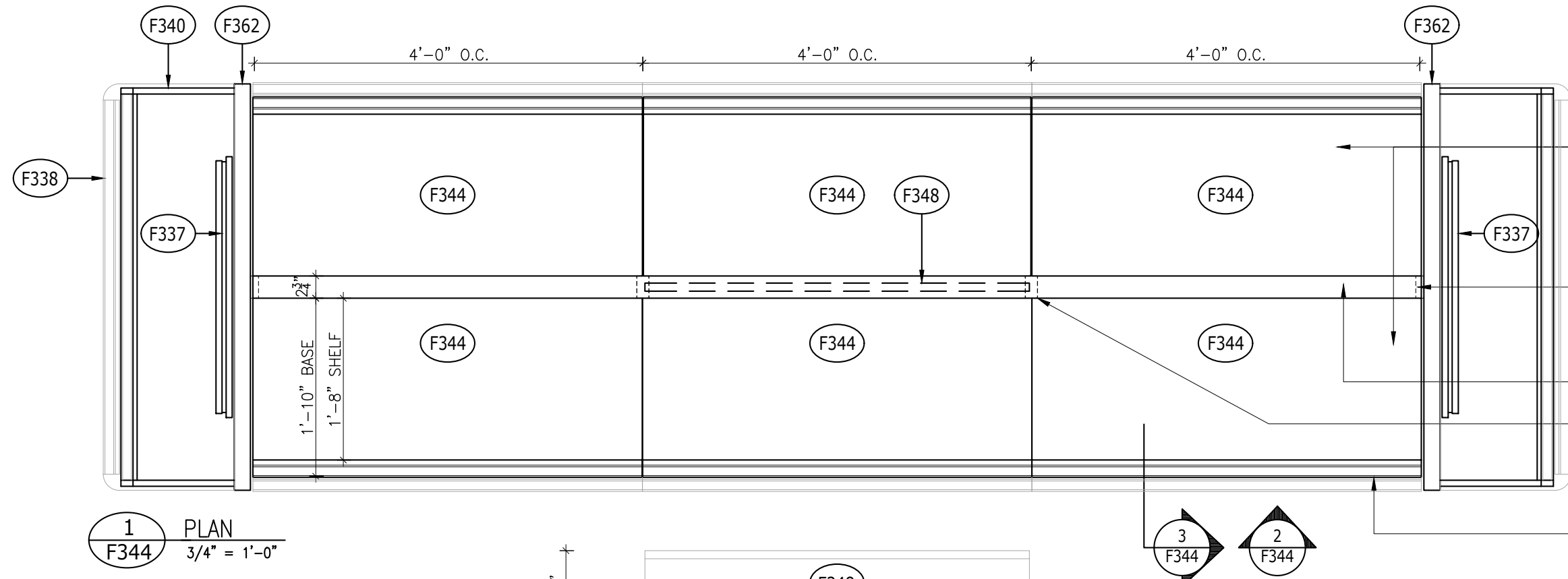
HEAVY DUTY ADJ. GLIDES



LCBO

300 VINTAGES
VINTAGES 2'-0" CONVERTIBLE GONDOLA (3 SHELVES) C/W METAL TICKET MOULDINGS

REVISION DATE	REV.	2 of 2	ISSUE DATE	STORE TYPE	STORE #
2019 APR	16	F343	2021 APR		



1 PLAN
F344 3/4" = 1'-0"

NOTE:
SOLID WOOD GRADE TO BE FAS

HEAVY DUTY METAL SHELVING C/W ANGLED HARDWOOD TICKET MOULDING FIN. NO. (30) TO ACCOMMODATE STANDARD LCBO 2" HIGH PAPER TICKETS AT ALL SHELVES (SEE DETAIL 4, F344) ON H.D. METAL BRACKETS ALL IN FIN. (18A)

ALL END POSTS TO BE MODIFIED AS REQUIRED TO ENSURE THAT THERE ARE NO GAPS BETWEEN METAL SHELVES AND END GABLES (FILLER STRIPS ARE NOT ACCEPTABLE)

METAL TOP CAP FIN. (18A) (14 GAUGE MIN.)

2 3/4" x 1 1/2" x 57 5/8" HIGH HEAVY DUTY SLOTTED METAL POST (SLOTS AT 1" O.C. TYP.) COMPLETE WITH 2 3/4" FULL HEIGHT METAL DIVIDER PANEL BETWEEN POSTS ALL IN FIN. NO. (18A)

PREFINISHED METAL BASE FIN. NO. (18A) C/W ANGLED HARDWOOD TICKET MOULDING FIN. NO. (30) BY SHELVING SUPPLIER TO ACCOMMODATE STANDARD LCBO 2" PAPER TICKETS AT BASE (SEE DETAIL 5, F344)

METAL TOP CAP FIN. (18A) (14 GAUGE MIN.)

2 3/4" x 1 1/2" x 57 5/8" HIGH HEAVY DUTY SLOTTED METAL POST (SLOTS AT 1" O.C. TYP.) COMPLETE WITH 2 3/4" FULL HEIGHT METAL DIVIDER PANEL BETWEEN POSTS ALL IN FIN. NO. (18A)

HEAVY DUTY METAL SHELVING C/W ANGLED HARDWOOD TICKET MOULDING FIN. NO. (30) TO ACCOMMODATE STANDARD LCBO 2" HIGH PAPER TICKETS AT ALL SHELVES (SEE DETAIL 4, F344) ON H.D. METAL BRACKETS ALL IN FIN. (18A)

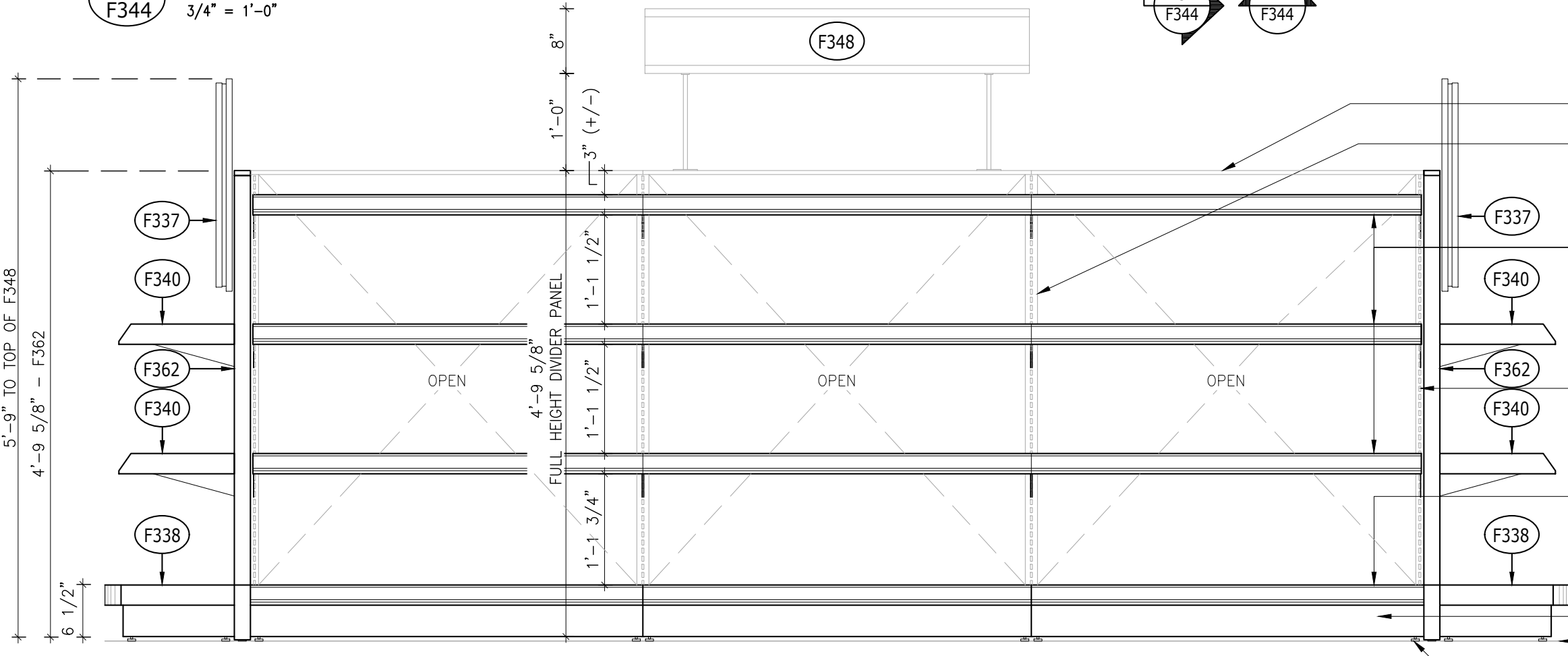
ALL END POSTS TO BE MODIFIED AS REQUIRED TO ENSURE THAT THERE ARE NO GAPS BETWEEN METAL SHELVES AND END GABLES (FILLER STRIPS ARE NOT ACCEPTABLE)

PREFINISHED METAL BASE FIN. NO. (18A) C/W ANGLED HARDWOOD TICKET MOULDING FIN. NO. (30) BY SHELVING SUPPLIER TO ACCOMMODATE STANDARD LCBO 2" PAPER TICKETS AT BASE (SEE DETAIL 5, F344)

RECESSED METAL BASE FIN. (17)

FINISHED FLOOR LEVEL

HEAVY DUTY LEVELLERS

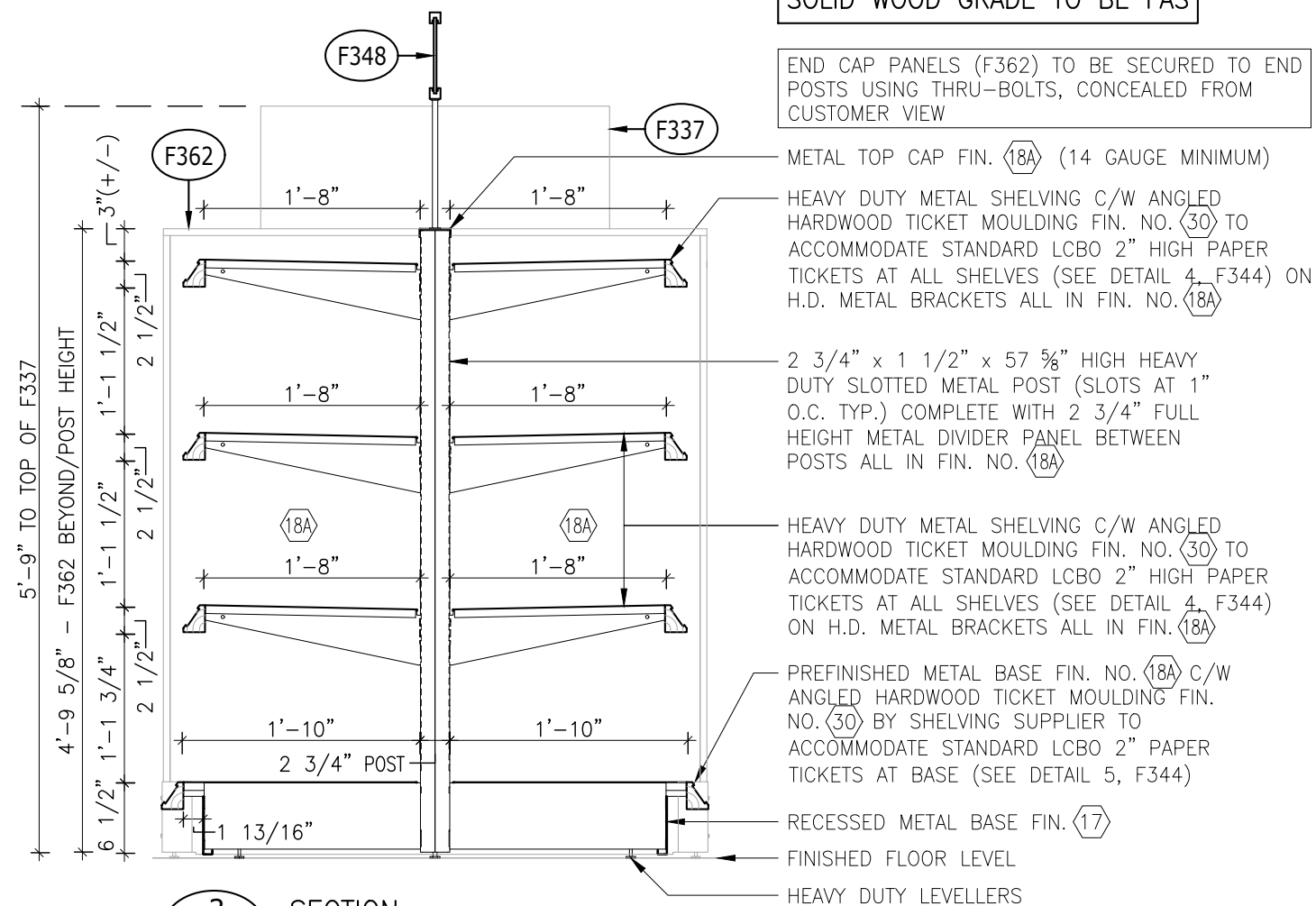


2 ELEVATION
F344 3/4" = 1'-0"

LCBO	300 VINTAGES	REVISION DATE	REV.	1 of 2	ISSUE DATE	STORE TYPE	STORE #
	VINTAGES 4'-0" GONDOLA (4 SHELVES) C/W WOOD TICKET MOULDINGS	2019 APR	16	F344	2021 APR		

NOTE:
SOLID WOOD GRADE TO BE FAS

END CAP PANELS (F362) TO BE SECURED TO END POSTS USING THRU-BOLTS, CONCEALED FROM CUSTOMER VIEW



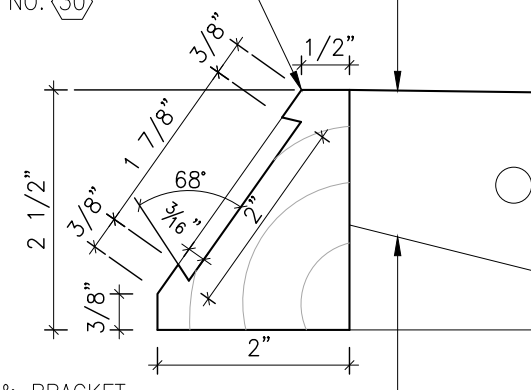
3 SECTION
F344 3/4" = 1'-0"

GENERAL NOTES

- DIMENSIONS SHOWN REFLECT SHELF & BASE DIMENSIONS ONLY & DO NOT TAKE WOOD TICKET HOLDERS INTO ACCOUNT
- ALL ADJUSTMENTS TO COMPENSATE FOR NON-LEVEL FLOOR SURFACES TO BE MADE AT BOTTOM END OF POST
- END CAP PANELS (F362) TO BE SECURED TO END POSTS USING THRU-BOLTS, CONCEALED FROM CUSTOMER VIEW
- SHELVING SUPPLIER TO OBTAIN 2" HIGH PAPER TICKET SAMPLE FROM LCBO PRIOR TO FABRICATION TO ENSURE PROPER FIT WITHIN TICKET MOULDING. SUBMIT SAMPLE FOR APPROVAL
- GC TO ENSURE ALL SHELVES ARE IN EXACT ALIGNMENT AND ARE TRUE & LEVEL. PERFORATED SHELVES ARE ACCEPTABLE.
- ALL END POSTS TO BE MODIFIED AS REQUIRED TO ENSURE THAT THERE ARE NO GAPS BETWEEN METAL SHELVES AND END GABLES (FILLER STRIPS ARE NOT ACCEPTABLE)

PREFINISHED HEAVY DUTY METAL SHELVING FIN. NO. (18A) C/W ANGLED HARDWOOD TICKET MOULDINGS FIN. NO. (30) TO ACCOMMODATE STANDARD LCBO 2" HIGH PAPER TICKETS AT ALL SHELVES ON H.D. METAL BRACKETS ALL IN FIN.

HARDWOOD TICKET MOULDING (ANGLED) FIN. NO. (30)

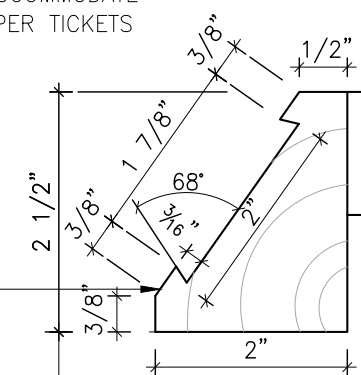


METAL SHELF & BRACKET FIN. NO. (18A) BY METAL SHELVING SUPPLIER

4 DETAIL
F344 6" = 1'-0"

PREFINISHED HEAVY DUTY METAL BASE FIN. NO. (18A) C/W ANGLED HARDWOOD TICKET MOULDING FIN. NO. (30) TO ACCOMMODATE STANDARD LCBO 2" HIGH PAPER TICKETS

HARDWOOD TICKET MOULDING (ANGLED) FIN. NO. (30)

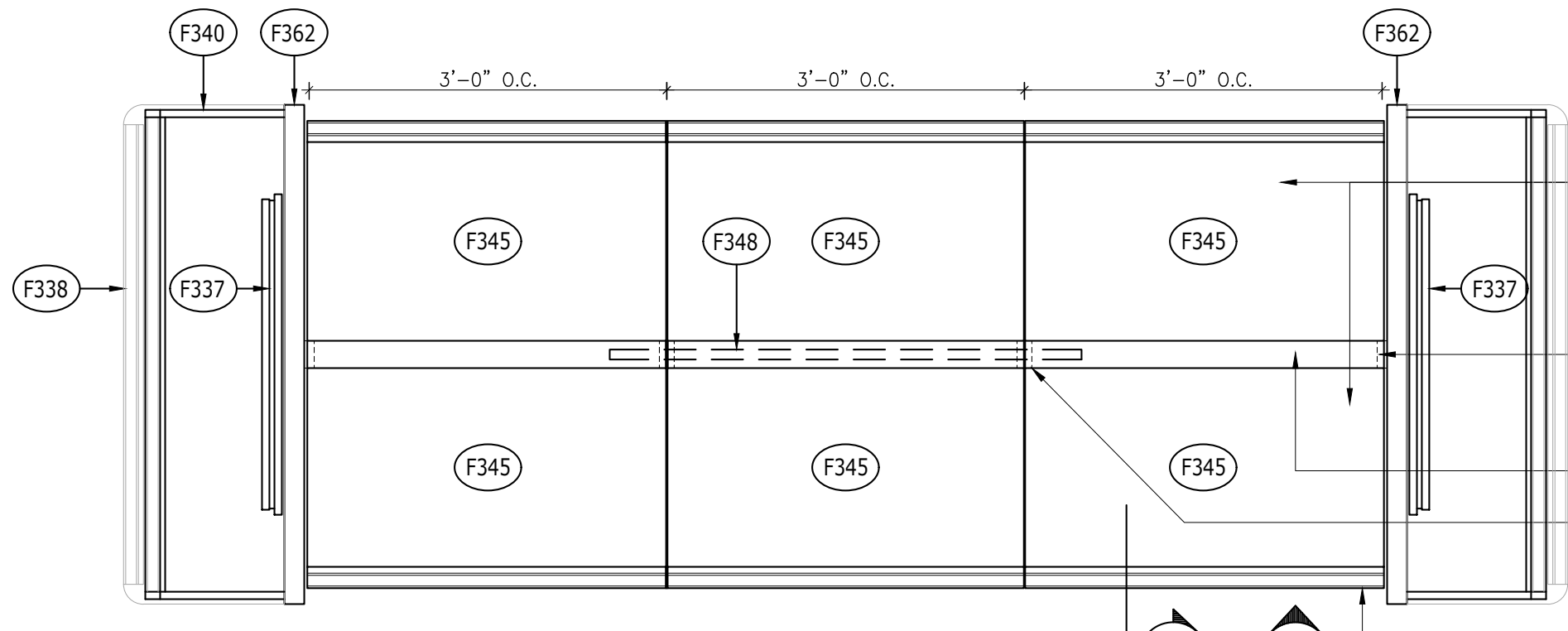


4" HIGH METAL BASE PT. FIN. TO MATCH FIN. NO. (17)

HEAVY DUTY ADJ. GLIDES

5 DETAIL
F344 6" = 1'-0"

LCBO	300 VINTAGES	REVISION DATE	REV.	2 of 2	ISSUE DATE	STORE TYPE	STORE #
	VINTAGES 4'-0" GONDOLA (4 SHELVES) C/W WOOD TICKET MOULDINGS	2019 APR	16	F344	2021 APR		



NOTE:
SOLID WOOD GRADE TO BE FAS

HEAVY DUTY METAL SHELVING C/W ANGLED HARDWOOD TICKET MOULDING FIN. NO. (30) TO ACCOMMODATE STANDARD LCBO 2" HIGH PAPER TICKETS AT ALL SHELVES (SEE DETAIL 4, F345) ON H.D. METAL BRACKETS ALL IN FIN. (18A)

ALL END POSTS TO BE MODIFIED AS REQUIRED TO ENSURE THAT THERE ARE NO GAPS BETWEEN METAL SHELVES AND END GABLES (FILLER STRIPS ARE NOT ACCEPTABLE)

METAL TOP CAP FIN. (18A) (14 GAUGE MIN.)

2 3/4" x 1 1/2" x 57 5/8" HIGH HEAVY DUTY SLOTTED METAL POST (SLOTS AT 1" O.C. TYP.) COMPLETE WITH 2 3/4" FULL HEIGHT METAL DIVIDER PANEL BETWEEN POSTS ALL IN FIN. NO. (18A)

PREFINISHED METAL BASE FIN. NO. (18A) C/W ANGLED HARDWOOD TICKET MOULDING FIN. NO. (30) BY SHELVING SUPPLIER TO ACCOMMODATE STANDARD LCBO 2" PAPER TICKETS AT BASE (SEE DETAIL 5, F345)

METAL TOP CAP FIN. (18A) (14 GAUGE MIN.)

2 3/4" x 1 1/2" x 57 5/8" HIGH HEAVY DUTY SLOTTED METAL POST (SLOTS AT 1" O.C. TYP.) COMPLETE WITH 2 3/4" FULL HEIGHT METAL DIVIDER PANEL BETWEEN POSTS ALL IN FIN. NO. (18A)

HEAVY DUTY METAL SHELVING C/W ANGLED HARDWOOD TICKET MOULDING FIN. NO. (30) TO ACCOMMODATE STANDARD LCBO 2" HIGH PAPER TICKETS AT ALL SHELVES (SEE DETAIL 4, F345) ON H.D. METAL BRACKETS ALL IN FIN. (18A)

ALL END POSTS TO BE MODIFIED AS REQUIRED TO ENSURE THAT THERE ARE NO GAPS BETWEEN METAL SHELVES AND END GABLES (FILLER STRIPS ARE NOT ACCEPTABLE)

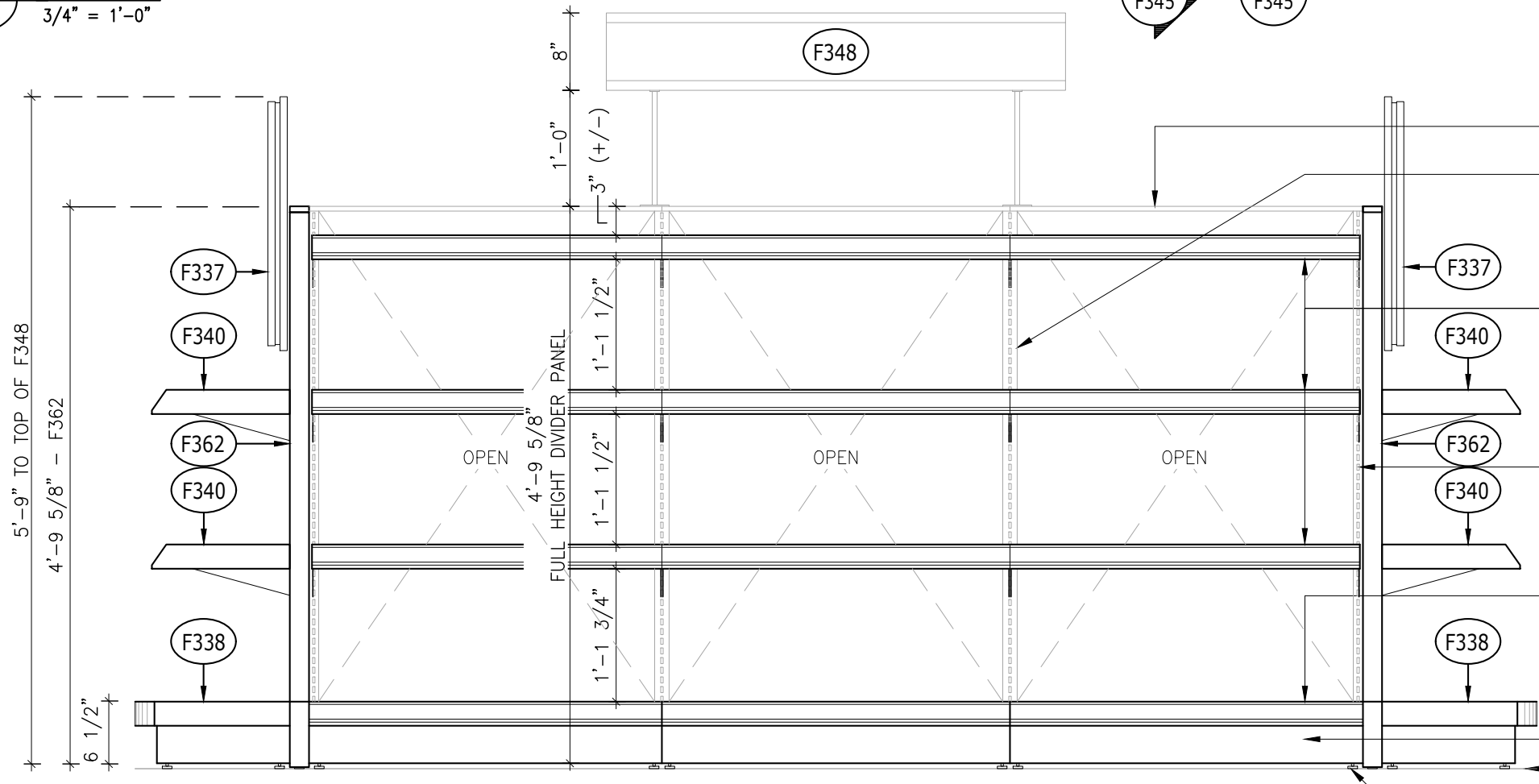
PREFINISHED METAL BASE FIN. NO. (18A) C/W ANGLED HARDWOOD TICKET MOULDING FIN. NO. (30) BY SHELVING SUPPLIER TO ACCOMMODATE STANDARD LCBO 2" PAPER TICKETS AT BASE (SEE DETAIL 5, F345)

RECESSED METAL BASE FIN. (17)

FINISHED FLOOR LEVEL

HEAVY DUTY LEVELLERS

1 PLAN
F345 3/4" = 1'-0"

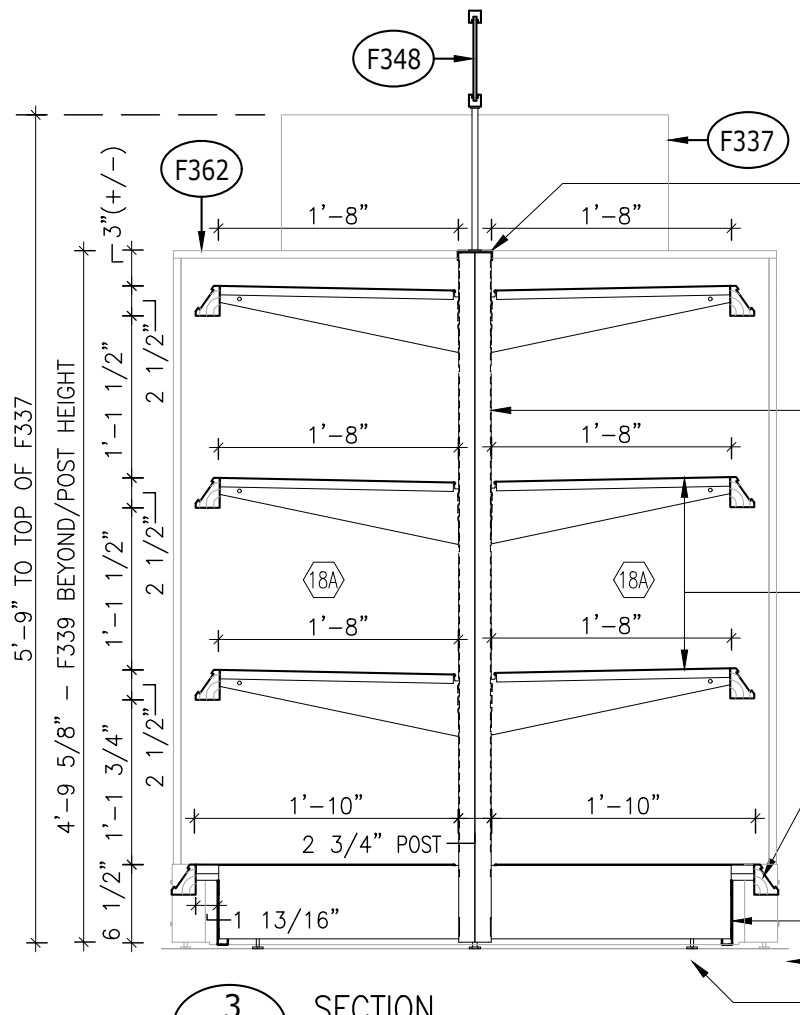


2 ELEVATION
F345 3/4" = 1'-0"

LCBO	300 VINTAGES	REVISION DATE	REV.	1 of 2	ISSUE DATE	STORE TYPE	STORE #
	VINTAGES 3'-0" GONDOLA (4 SHELVES) C/W WOOD TICKET MOULDINGS	2019 APR	16	F345	2021 APR		

NOTE:
SOLID WOOD GRADE TO BE FAS

END CAP PANELS (F362) TO BE SECURED TO END POSTS USING THRU-BOLTS, CONCEALED FROM CUSTOMER VIEW



3 SECTION
F345 3/4" = 1'-0"

METAL TOP CAP FIN. (18A) (14 GAUGE MINIMUM)

HEAVY DUTY METAL SHELVING C/W ANGLED HARDWOOD TICKET MOULDING FIN. NO. (30) TO ACCOMMODATE STANDARD LCBO 2" HIGH PAPER TICKETS AT ALL SHELVES (SEE DETAIL 4, F344) ON H.D. METAL BRACKETS ALL IN FIN. NO. (18A)

2 3/4" x 1 1/2" x 57 5/8" HIGH HEAVY DUTY SLOTTED METAL POST (SLOTS AT 1" O.C. TYP.) COMPLETE WITH 2 3/4" FULL HEIGHT METAL DIVIDER PANEL BETWEEN POSTS ALL IN FIN. NO. (18A)

HEAVY DUTY METAL SHELVING C/W ANGLED HARDWOOD TICKET MOULDING FIN. NO. (30) TO ACCOMMODATE STANDARD LCBO 2" HIGH PAPER TICKETS AT ALL SHELVES (SEE DETAIL 4, F344) ON H.D. METAL BRACKETS ALL IN FIN. (18A)

PREFINISHED METAL BASE FIN. NO. (18A) C/W ANGLED HARDWOOD TICKET MOULDING FIN. NO. (30) BY SHELVING SUPPLIER TO ACCOMMODATE STANDARD LCBO 2" PAPER TICKETS AT BASE (SEE DETAIL 5, F344)

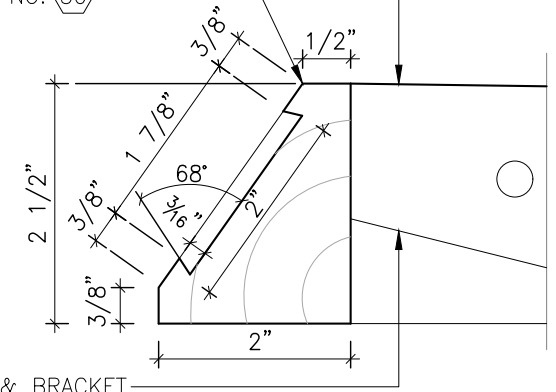
RECESSED METAL BASE FIN. (17)

FINISHED FLOOR LEVEL

HEAVY DUTY LEVELLERS

PREFINISHED HEAVY DUTY METAL SHELVING FIN. NO. (18A) C/W ANGLED HARDWOOD TICKET MOULDINGS FIN. NO. (30) TO ACCOMMODATE STANDARD LCBO 2" HIGH PAPER TICKETS AT ALL SHELVES ON H.D. METAL BRACKETS ALL IN FIN.

HARDWOOD TICKET MOULDING (ANGLED) FIN. NO. (30)

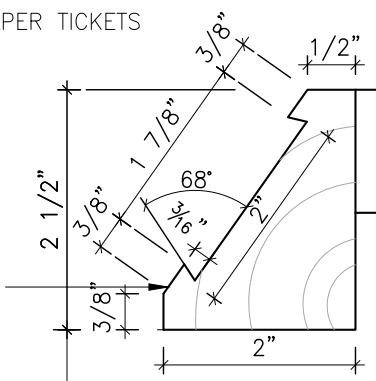


METAL SHELF & BRACKET FIN. NO. (18A) BY METAL SHELVING SUPPLIER

4 DETAIL
F345 6" = 1'-0"

PREFINISHED HEAVY DUTY METAL BASE FIN. NO. (18A) C/W ANGLED HARDWOOD TICKET MOULDING FIN. NO. (30) TO ACCOMMODATE STANDARD LCBO 2" HIGH PAPER TICKETS

HARDWOOD TICKET MOULDING (ANGLED) FIN. NO. (30)



4" HIGH METAL BASE PT. FIN. TO MATCH FIN. NO. (17)

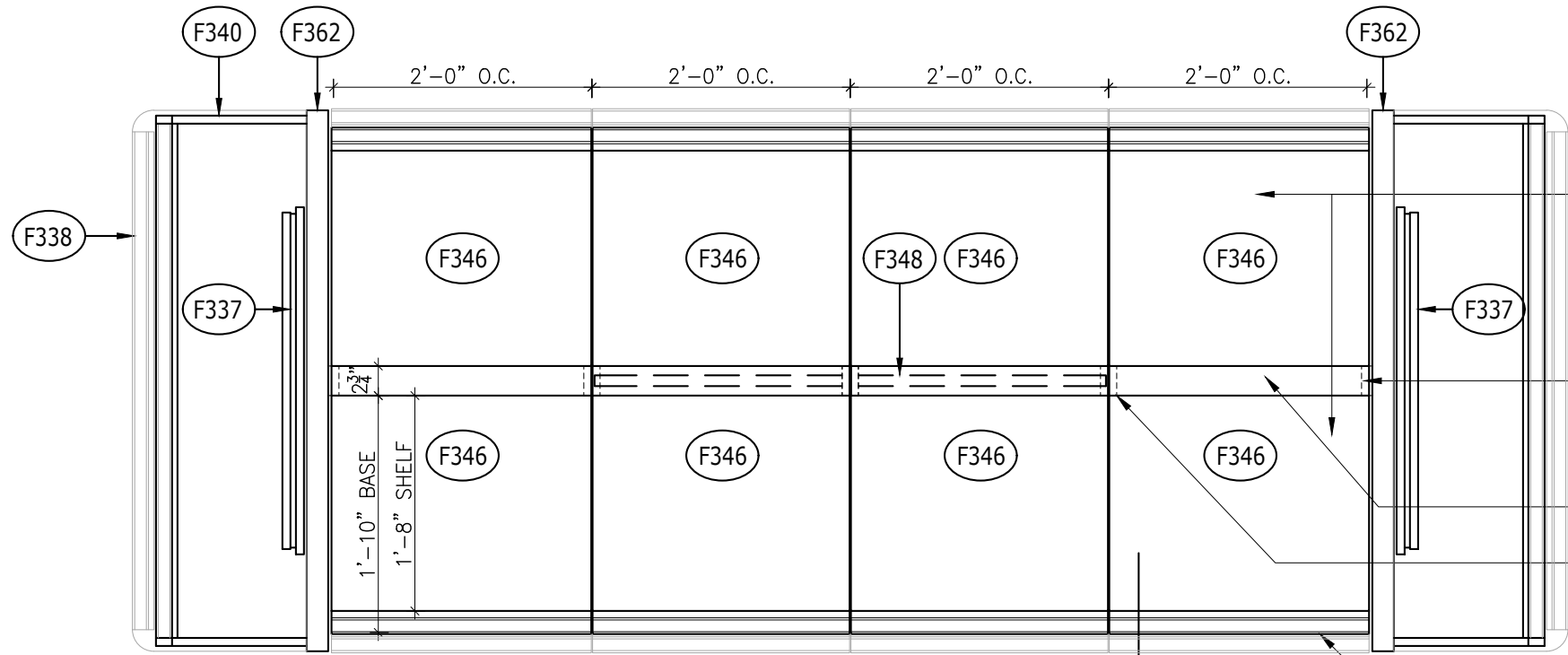
HEAVY DUTY ADJ. GLIDES VARIES

5 DETAIL
F345 6" = 1'-0"

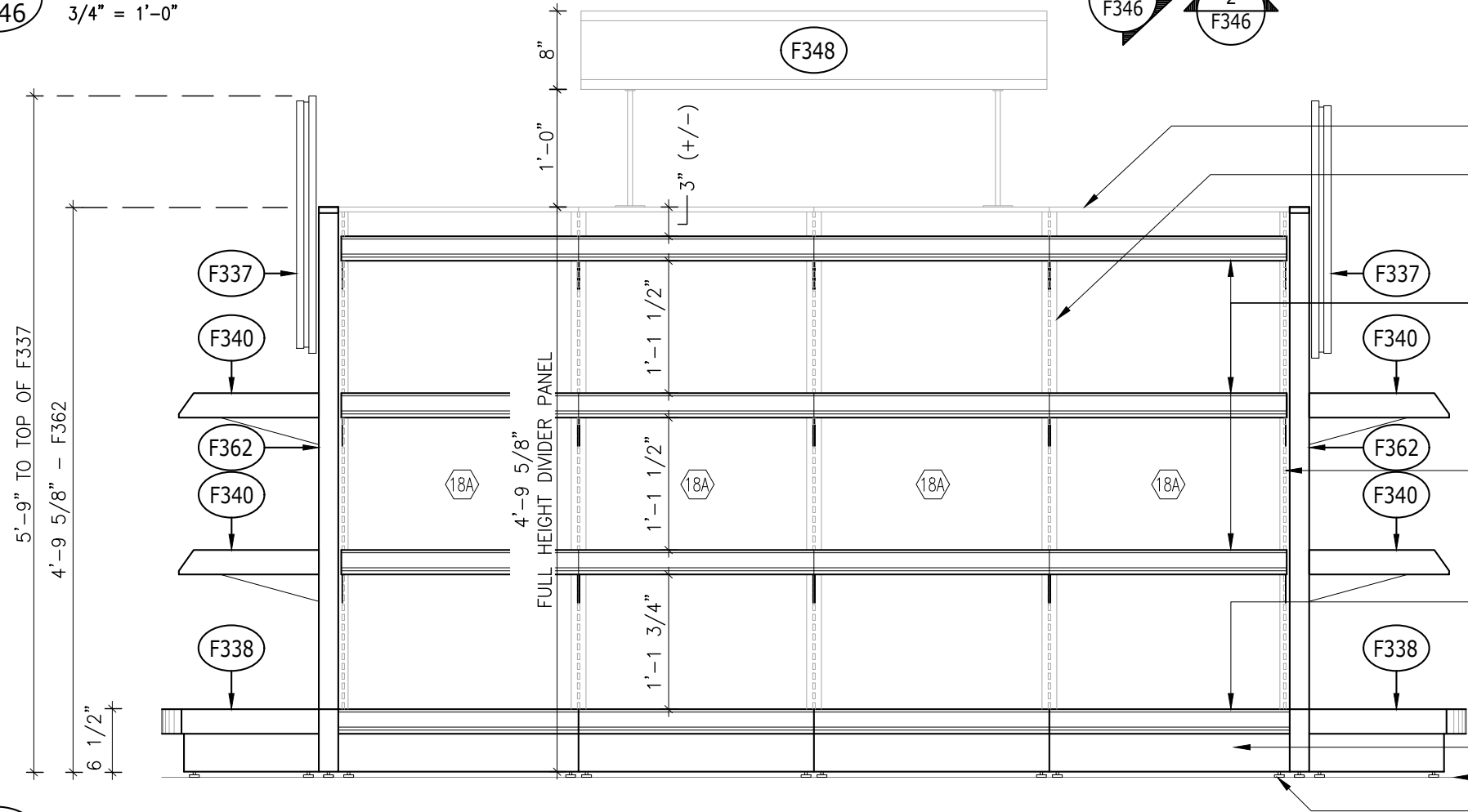
GENERAL NOTES

- DIMENSIONS SHOWN REFLECT SHELF & BASE DIMENSIONS ONLY & DO NOT TAKE WOOD TICKET HOLDERS INTO ACCOUNT
- ALL ADJUSTMENTS TO COMPENSATE FOR NON-LEVEL FLOOR SURFACES TO BE MADE AT BOTTOM END OF POST
- END CAP PANELS (F362) TO BE SECURED TO END POSTS USING THRU-BOLTS, CONCEALED FROM CUSTOMER VIEW
- SHELVING SUPPLIER TO OBTAIN 2" HIGH PAPER TICKET SAMPLE FROM LCBO PRIOR TO FABRICATION TO ENSURE PROPER FIT WITHIN TICKET MOULDING. SUBMIT SAMPLE FOR APPROVAL
- GC TO ENSURE ALL SHELVES ARE IN EXACT ALIGNMENT AND ARE TRUE & LEVEL. PERFORATED SHELVES ARE ACCEPTABLE.
- ALL END POSTS TO BE MODIFIED AS REQUIRED TO ENSURE THAT THERE ARE NO GAPS BETWEEN METAL SHELVES AND END GABLES (FILLER STRIPS ARE NOT ACCEPTABLE)

LCBO	300 VINTAGES	REVISION DATE	REV.	2 of 2	ISSUE DATE	STORE TYPE	STORE #
	VINTAGES 3'-0" GONDOLA (4 SHELVES) C/W WOOD TICKET MOULDINGS	2019 APR	16	F345	2021 APR		



1 PLAN
F346 3/4" = 1'-0"



2 ELEVATION
F346 3/4" = 1'-0"

NOTE:
SOLID WOOD GRADE TO BE FAS

HEAVY DUTY METAL SHELVING C/W ANGLED HARDWOOD TICKET MOULDING FIN. NO. (30) TO ACCOMMODATE STANDARD LCBO 2" HIGH PAPER TICKETS AT ALL SHELVES (SEE DETAIL 4, F346) ON H.D. METAL BRACKETS ALL IN FIN. NO. (18A)

ALL END POSTS TO BE MODIFIED AS REQUIRED TO ENSURE THAT THERE ARE NO GAPS BETWEEN METAL SHELVES AND END GABLES (FILLER STRIPS ARE NOT ACCEPTABLE)

METAL TOP CAP FIN. (18A) (14 GAUGE MIN.)

2 3/4" x 1 1/2" x 57 5/8" HIGH HEAVY DUTY SLOTTED METAL POST (SLOTS AT 1" O.C. TYP.) COMPLETE WITH 2 3/4" FULL HEIGHT METAL DIVIDER PANEL BETWEEN POSTS ALL IN FIN. NO. (18A)

PREFINISHED METAL BASE FIN. NO. (18A) C/W ANGLED HARDWOOD TICKET MOULDING FIN. NO. (30) BY SHELVING CONTRACTOR TO ACCOMMODATE STANDARD LCBO 2" PAPER TICKETS AT BASE (SEE DETAIL 5, F346)

METAL TOP CAP FIN. (18A) (14 GAUGE MIN.)

2 3/4" x 1 1/2" x 57 5/8" HIGH HEAVY DUTY SLOTTED METAL POST (SLOTS AT 1" O.C. TYP.) COMPLETE WITH 2 3/4" FULL HEIGHT METAL DIVIDER PANEL BETWEEN POSTS ALL IN FIN. NO. (18A)

HEAVY DUTY METAL SHELVING C/W ANGLED HARDWOOD TICKET MOULDING FIN. NO. (30) TO ACCOMMODATE STANDARD LCBO 2" HIGH PAPER TICKETS AT ALL SHELVES (SEE DETAIL 4, F346) ON H.D. METAL BRACKETS ALL IN FIN. NO. (18A)

ALL END POSTS TO BE MODIFIED AS REQUIRED TO ENSURE THAT THERE ARE NO GAPS BETWEEN METAL SHELVES AND END GABLES (FILLER STRIPS ARE NOT ACCEPTABLE)

PREFINISHED METAL BASE FIN. NO. (18A) C/W ANGLED HARDWOOD TICKET MOULDING FIN. NO. (30) BY SHELVING CONTRACTOR TO ACCOMMODATE STANDARD LCBO 2" PAPER TICKETS AT BASE (SEE DETAIL 5, F346)

RECESSED METAL BASE FIN. (17)

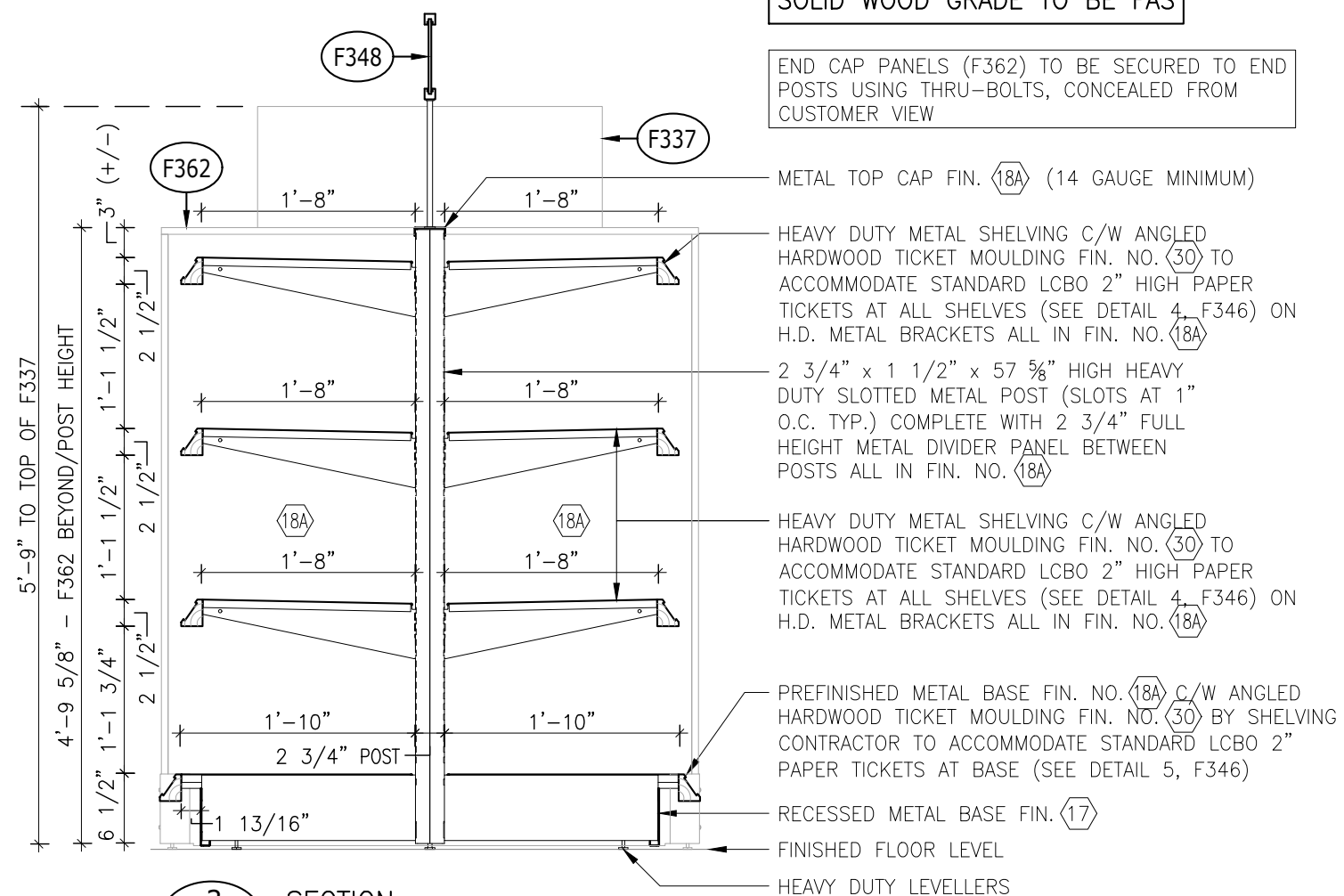
FINISHED FLOOR LEVEL

HEAVY DUTY LEVELLERS

LCBO	300 VINTAGES	REVISION DATE	REV.	1 of 2	ISSUE DATE	STORE TYPE	STORE #
	VINTAGES 2'-0" CONVERTIBLE GONDOLA (4 SHELVES) C/W WOOD TICKET MOULDINGS	2019 APR	16	F346	2021 APR		

NOTE:
SOLID WOOD GRADE TO BE FAS

END CAP PANELS (F362) TO BE SECURED TO END POSTS USING THRU-BOLTS, CONCEALED FROM CUSTOMER VIEW



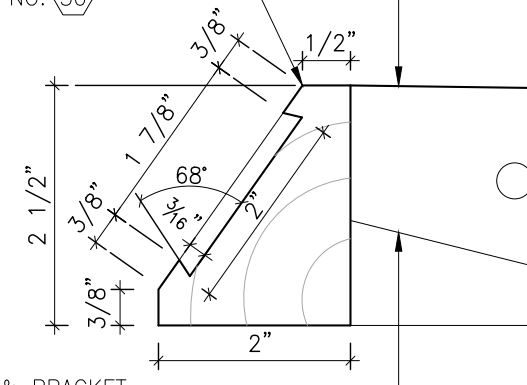
3 SECTION
F346 3/4" = 1'-0"

GENERAL NOTES

- DIMENSIONS SHOWN REFLECT SHELF & BASE DIMENSIONS ONLY & DO NOT TAKE WOOD TICKET HOLDERS INTO ACCOUNT
- ALL ADJUSTMENTS TO COMPENSATE FOR NON-LEVEL FLOOR SURFACES TO BE MADE AT BOTTOM END OF POST
- END CAP PANELS (F362) TO BE SECURED TO END POSTS USING THRU-BOLTS, CONCEALED FROM CUSTOMER VIEW
- SHELVING SUPPLIER TO OBTAIN 2" HIGH PAPER TICKET SAMPLE FROM LCBO PRIOR TO FABRICATION TO ENSURE PROPER FIT WITHIN TICKET MOULDING. SUBMIT SAMPLE FOR APPROVAL
- GC TO ENSURE ALL SHELVES ARE IN EXACT ALIGNMENT AND ARE TRUE & LEVEL. PERFORATED SHELVES ARE ACCEPTABLE.
- ALL END POSTS TO BE MODIFIED AS REQUIRED TO ENSURE THAT THERE ARE NO GAPS BETWEEN METAL SHELVES AND END GABLES (FILLER STRIPS ARE NOT ACCEPTABLE)

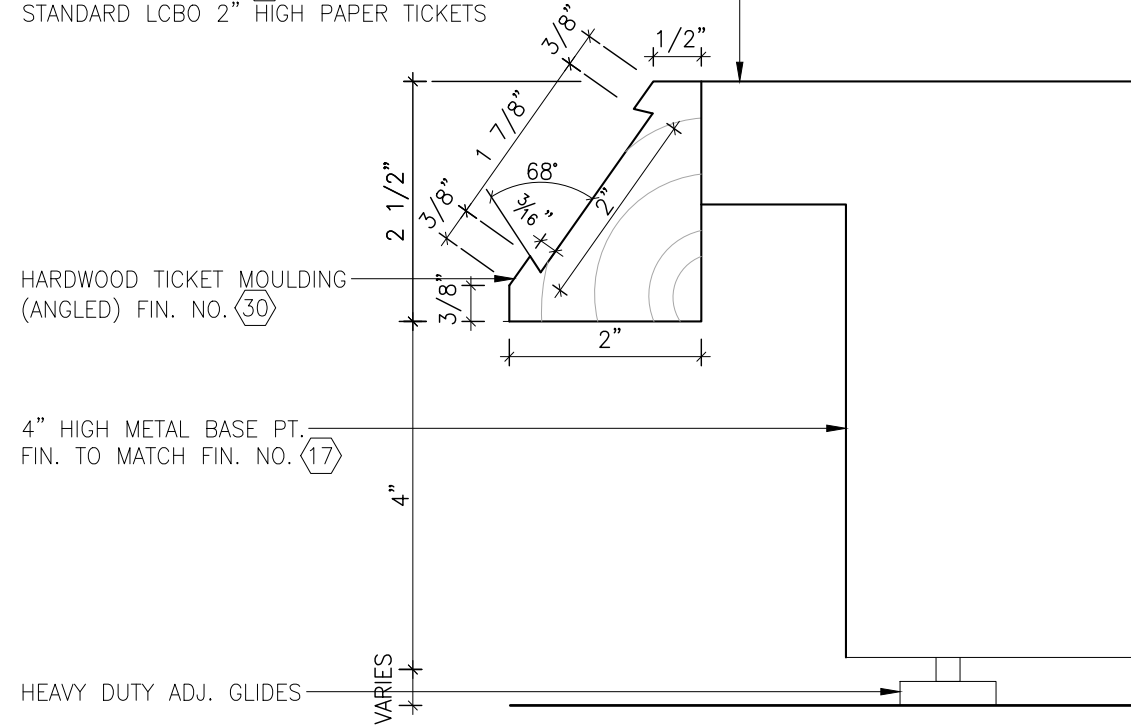
PREFINISHED HEAVY DUTY METAL SHELVING FIN. NO. (18A) C/W ANGLED HARDWOOD TICKET MOULDINGS FIN. NO. (30) TO ACCOMMODATE STANDARD LCBO 2" HIGH PAPER TICKETS AT ALL SHELVES ON H.D. METAL BRACKETS ALL IN FIN.

HARDWOOD TICKET MOULDING (ANGLED) FIN. NO. (30)



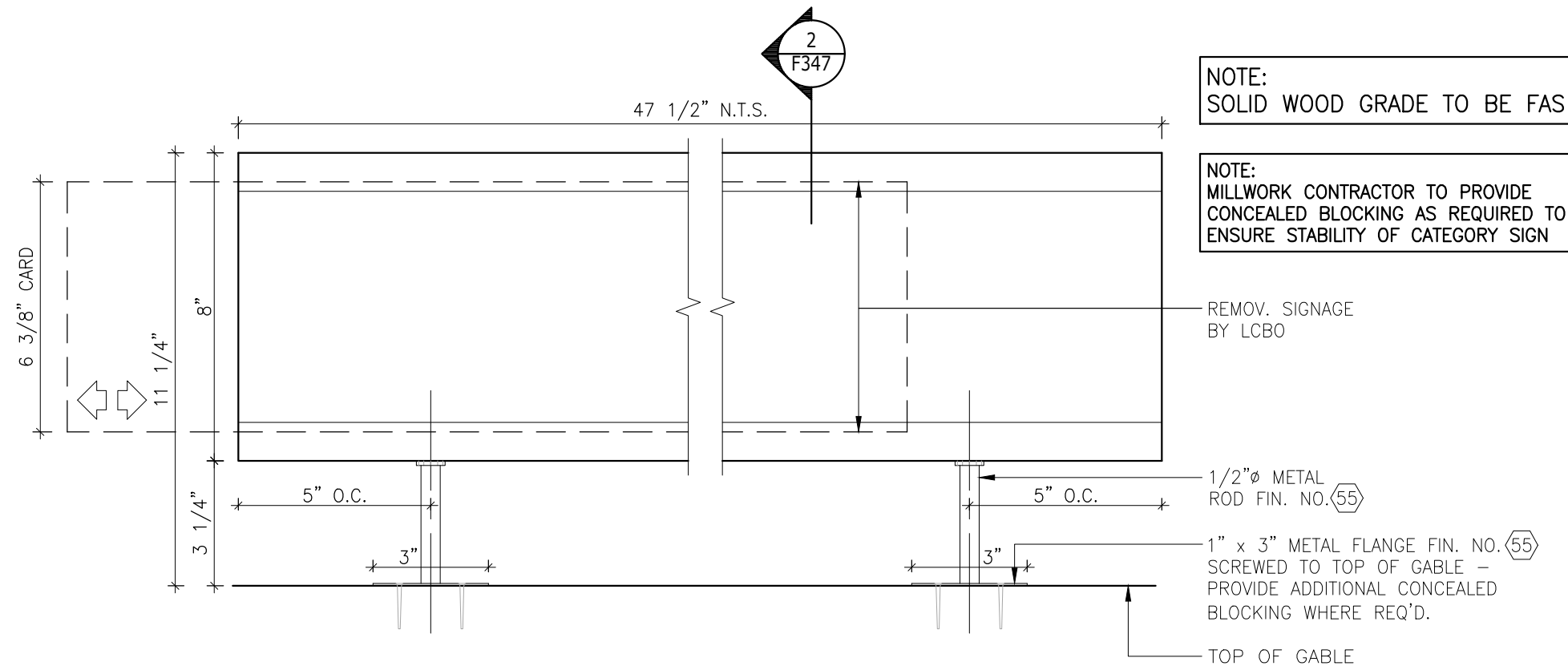
4 DETAIL
F346 6" = 1'-0"

PREFINISHED HEAVY DUTY METAL BASE FIN. NO. (18A) C/W ANGLED HARDWOOD TICKET MOULDING FIN. NO. (30) TO ACCOMMODATE STANDARD LCBO 2" HIGH PAPER TICKETS



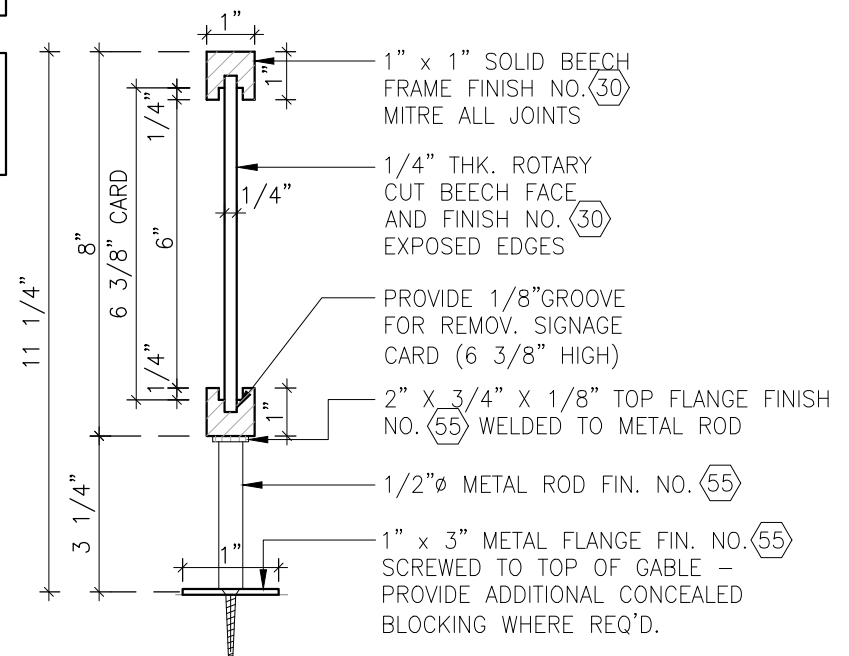
5 DETAIL
F346 6" = 1'-0"

LCBO	300 VINTAGES	REVISION DATE	REV.	2 of 2	ISSUE DATE	STORE TYPE	STORE #
	VINTAGES 2'-0" CONVERTIBLE GONDOLA (4 SHELVES) C/W WOOD TICKET MOULDINGS	2019 APR	16	F346	2021 APR		



NOTE:
SOLID WOOD GRADE TO BE FAS

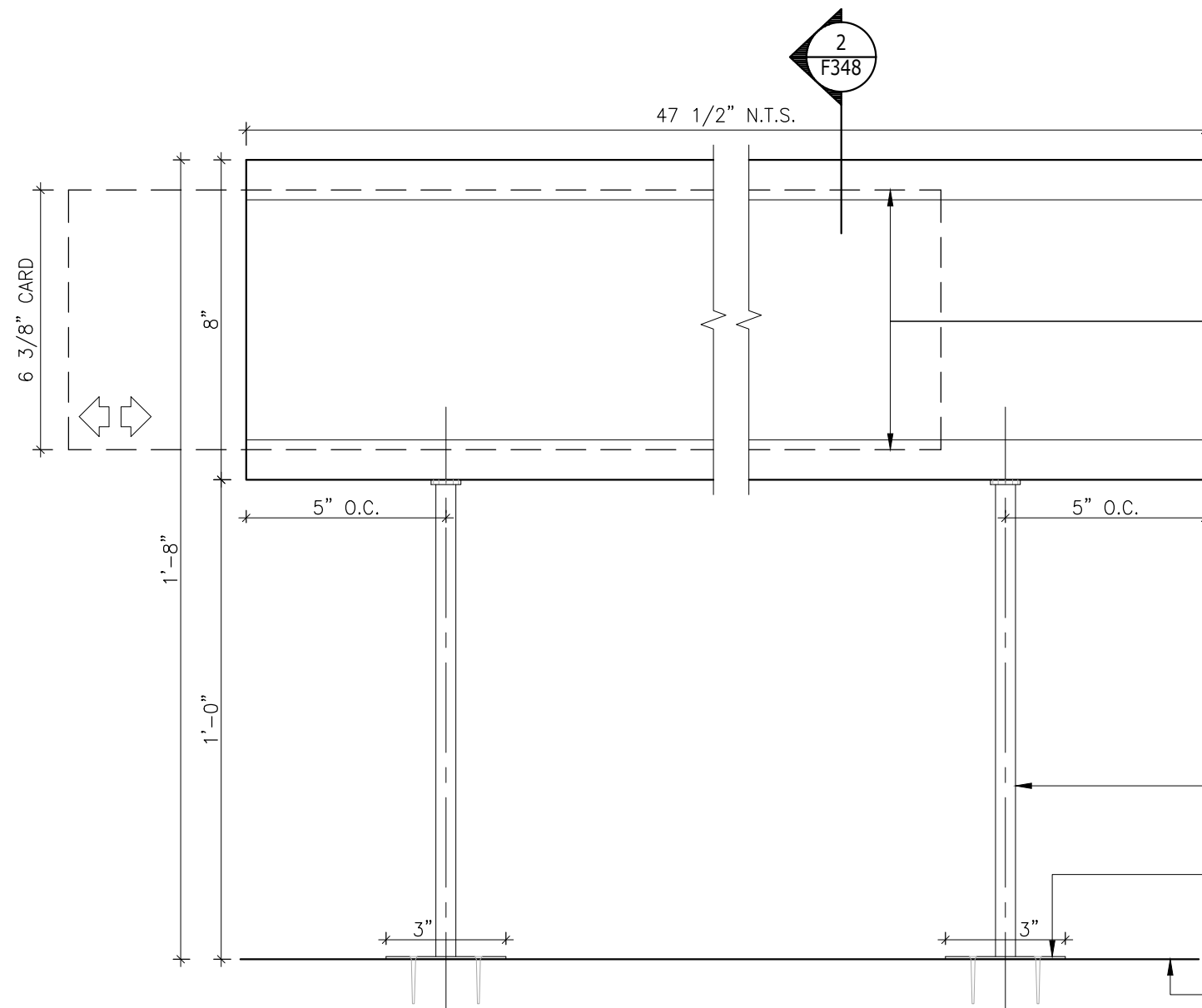
NOTE:
MILLWORK CONTRACTOR TO PROVIDE CONCEALED BLOCKING AS REQUIRED TO ENSURE STABILITY OF CATEGORY SIGN



1 ELEVATION
F347 3" = 1'-0"

2 SECTION
F347 3" = 1'-0"

LCBO	300 VINTAGES	REVISION DATE	REV.	1 of 1	ISSUE DATE	STORE TYPE	STORE #
	3-HIGH VINTAGES GONDOLA CATEGORY SIGN	2017 NOV	15	F347	2021 APR		



NOTE:
SOLID WOOD GRADE TO BE FAS

NOTE:
MILLWORK CONTRACTOR TO PROVIDE
CONCEALED BLOCKING AS REQUIRED TO
ENSURE STABILITY OF CATEGORY SIGN

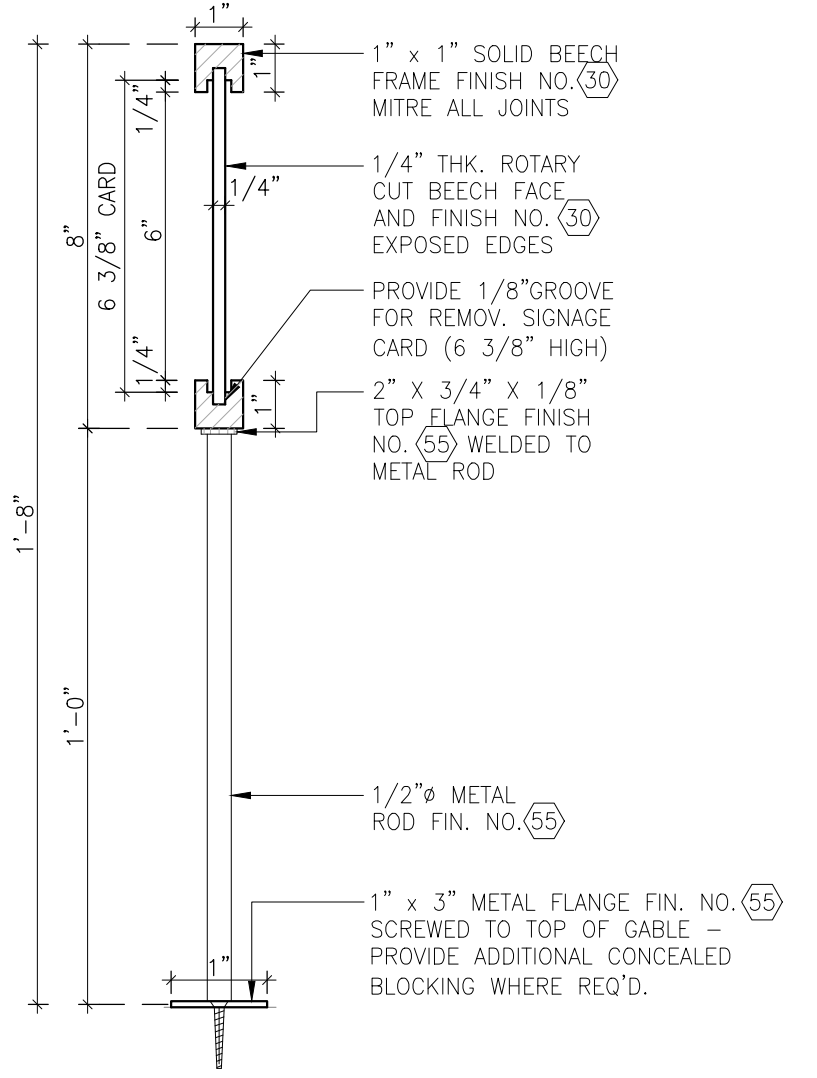
REMOV. SIGNAGE
BY LCBO

1/2"Ø METAL
ROD FIN. NO. (55)

1" x 3" METAL FLANGE FIN. NO. (55)
SCREWED TO TOP OF GABLE -
PROVIDE ADDITIONAL CONCEALED
BLOCKING WHERE REQ'D.

TOP OF METAL SHELVING GABLE

1
F348 ELEVATION
3" = 1'-0"



1" x 1" SOLID BEECH
FRAME FINISH NO. (30)
MITRE ALL JOINTS

1/4" THK. ROTARY
CUT BEECH FACE
AND FINISH NO. (30)
EXPOSED EDGES

PROVIDE 1/8" GROOVE
FOR REMOV. SIGNAGE
CARD (6 3/8" HIGH)

2" x 3/4" x 1/8"
TOP FLANGE FINISH
NO. (55) WELDED TO
METAL ROD

1/2"Ø METAL
ROD FIN. NO. (55)

1" x 3" METAL FLANGE FIN. NO. (55)
SCREWED TO TOP OF GABLE -
PROVIDE ADDITIONAL CONCEALED
BLOCKING WHERE REQ'D.

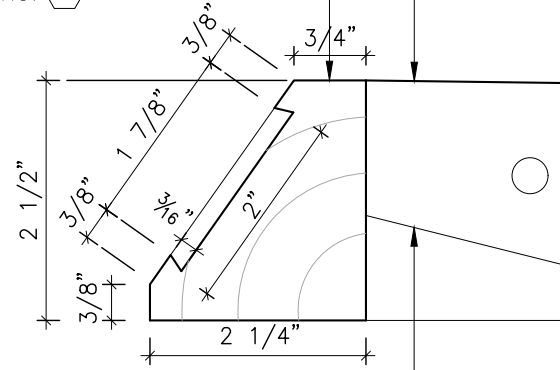
2
F348 SECTION
3" = 1'-0"

LCBO	300 VINTAGES	REVISION DATE	REV.	1 of 1	ISSUE DATE	STORE TYPE	STORE #
	4-HIGH VINTAGES GONDOLA CATEGORY SIGN	2019 APR	16	F348	2021 APR		

NOTE:
SOLID WOOD GRADE TO BE FAS

HEAVY DUTY METAL SHELVING FIN. NO. (18A)
C/W ANGLED WOOD TICKET MOULDINGS
FIN. NO. (30) TO ACCOMMODATE
STANDARD LCBO 2" HIGH PAPER
TICKETS AT ALL SHELVES ON H.D.
METAL BRACKETS ALL IN FIN. (18A)

HARDWOOD TICKET MOULDING
(ANGLED) FIN. NO. (30)



METAL SHELF & BRACKET
FIN. NO. (18A) BY METAL
SHELVING SUPPLIER

5 DETAIL
F349 6" = 1'-0"

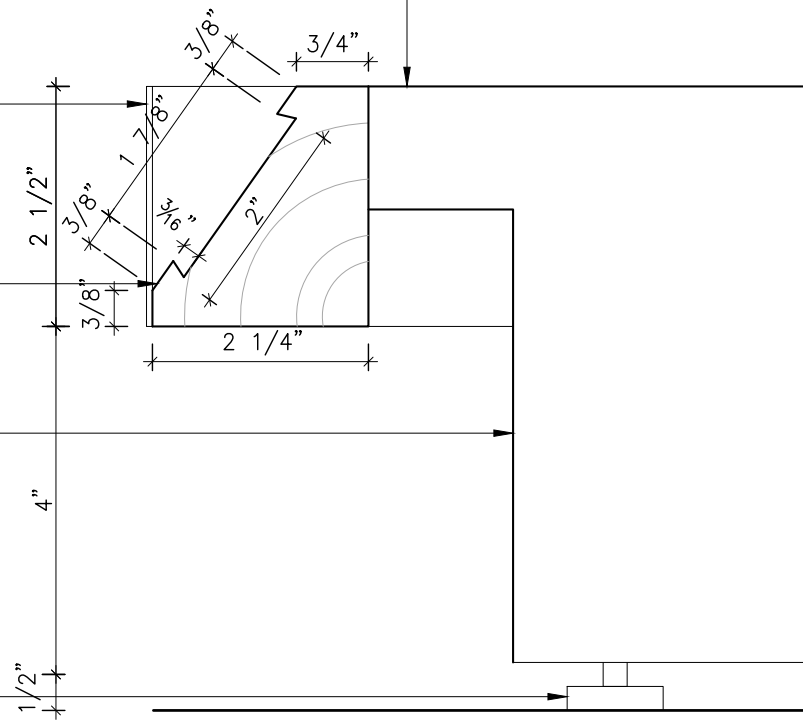
HEAVY DUTY METAL BASE FIN. NO. (18A)
C/W ANGLED WOOD TICKET MOULDINGS
TO ACCOMMODATE STANDARD LCBO 2"
HIGH PAPER TICKETS

2 1/4" x 2 1/4" METAL
CORNER GUARD
FIN. NO. (55) BEYOND

HARDWOOD TICKET MOULDING
(ANGLED) FIN. NO. (30)

4" HIGH METAL BASE PT.
FIN. TO MATCH FIN. NO. (17)

HEAVY DUTY ADJ. GLIDES



6 DETAIL
F349 6" = 1'-0"

1" METAL TUBE C/W METAL
CHANNEL DETAIL FIN. NO. (18A)
SHELVING SUPPLIER TO SUPPLY
SHOP DWGS. FOR APPROVAL
PRIOR TO FABRICATION

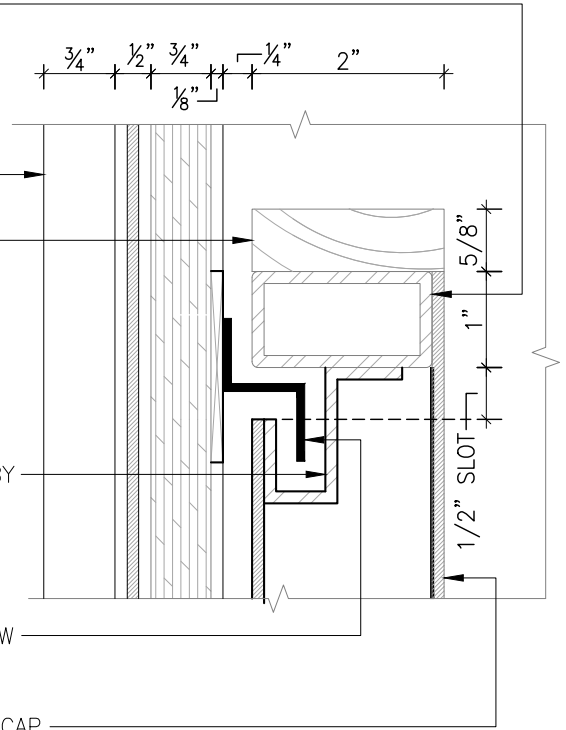
F337

SOLID WOOD TRIM OF END
CAP PANEL FIN. (30) BY
SHELVING SUPPLIER.

RE-INFORCED METAL CHANNEL BY
SHELVING SUPPLIER TO
ACCOMMODATE SLATWALL-TYPE
HARDWARE AS SHOWN ABOVE

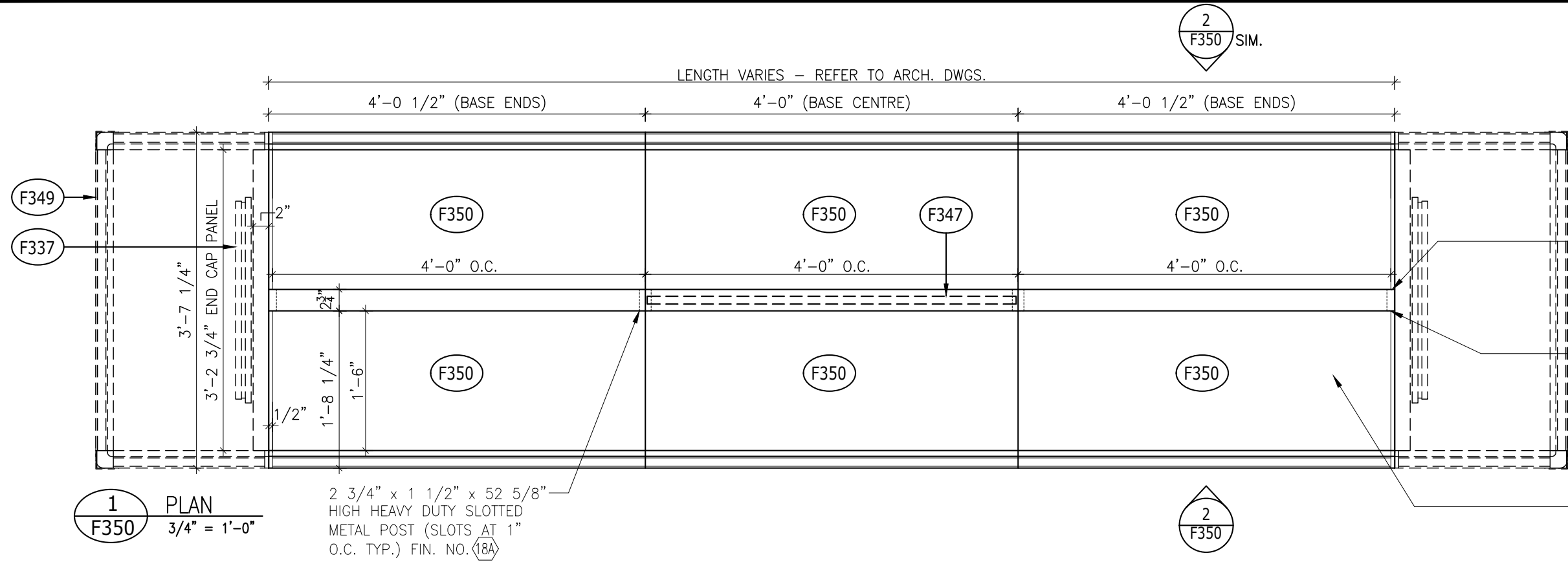
SLATWALL TYPE HARDWARE SCREW
FIXED TO BACK OF F337

MASONITE BACK PANEL OF END CAP
PANEL BY SHELVING SUPPLIER W/
TO MATCH FIN. NO. (18A)



7 DETAIL
F349 6" = 1'-0"

LCBO	300 VINTAGES	REVISION DATE	REV.	2 of 2	ISSUE DATE	STORE TYPE	STORE #
	METAL GONDOLA END (NARROW) - VINTAGES	2019 APR	16	F349	2021 APR		



1 PLAN
F350 3/4" = 1'-0"

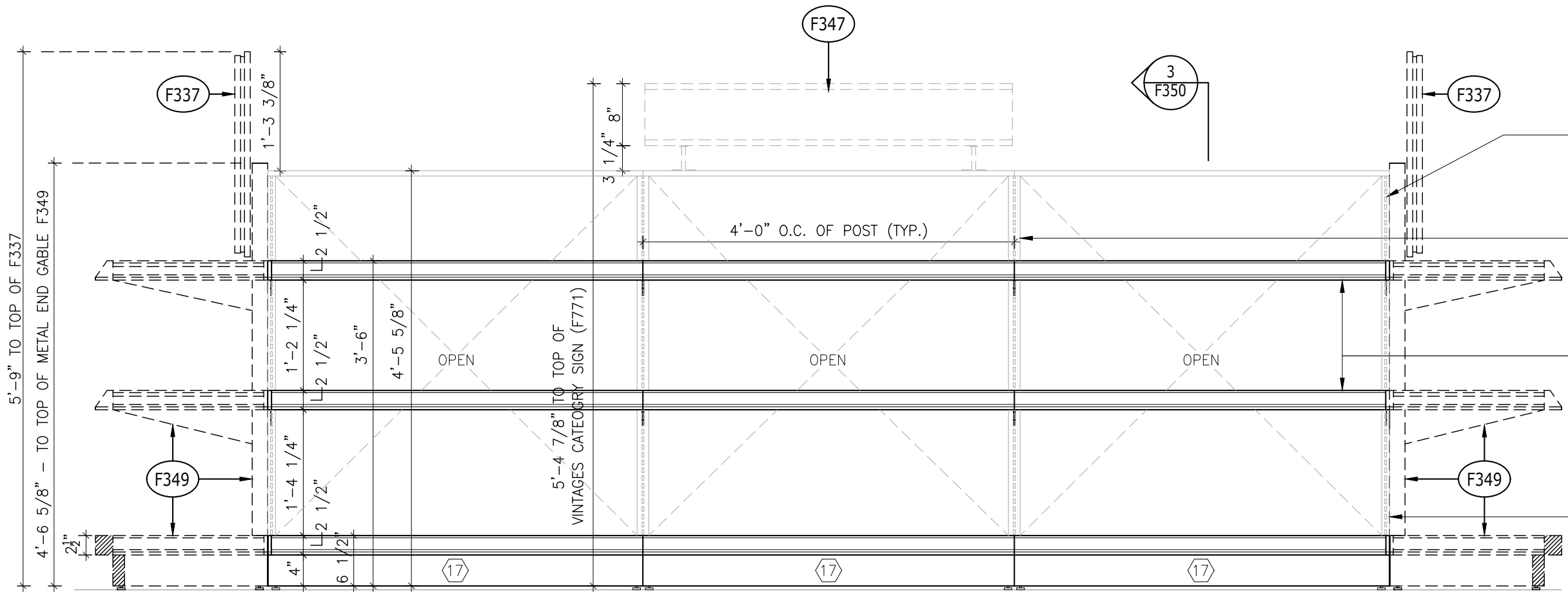
2 3/4" x 1 1/2" x 52 5/8" HIGH HEAVY DUTY SLOTTED METAL POST (SLOTS AT 1" O.C. TYP.) FIN. NO. 18A

NOTE:
SOLID WOOD GRADE TO BE FAS

2 3/4" x 1" x 53 5/8" HIGH HEAVY DUTY SLOTTED METAL END POST (SLOTS AT 1" O.C. TYP.) FIN. NO. 18A

ALL END POSTS TO BE MODIFIED AS REQUIRED TO ENSURE THAT THERE ARE NO GAPS BETWEEN METAL SHELVES AND END GABLES (FILLER STRIPS ARE NOT ACCEPTABLE)

HEAVY DUTY METAL SHELVING FIN. NO. 18A C/W ANGLED HARDWOOD TICKET MOULDINGS FIN. NO. 30 TO ACCOMMODATE STANDARD LCBO 2" HIGH PAPER TICKETS AT ALL SHELVES ON H.D. METAL BRACKETS ALL IN FIN. NO. 18A



2 ELEVATION
F350 3/4" = 1'-0"

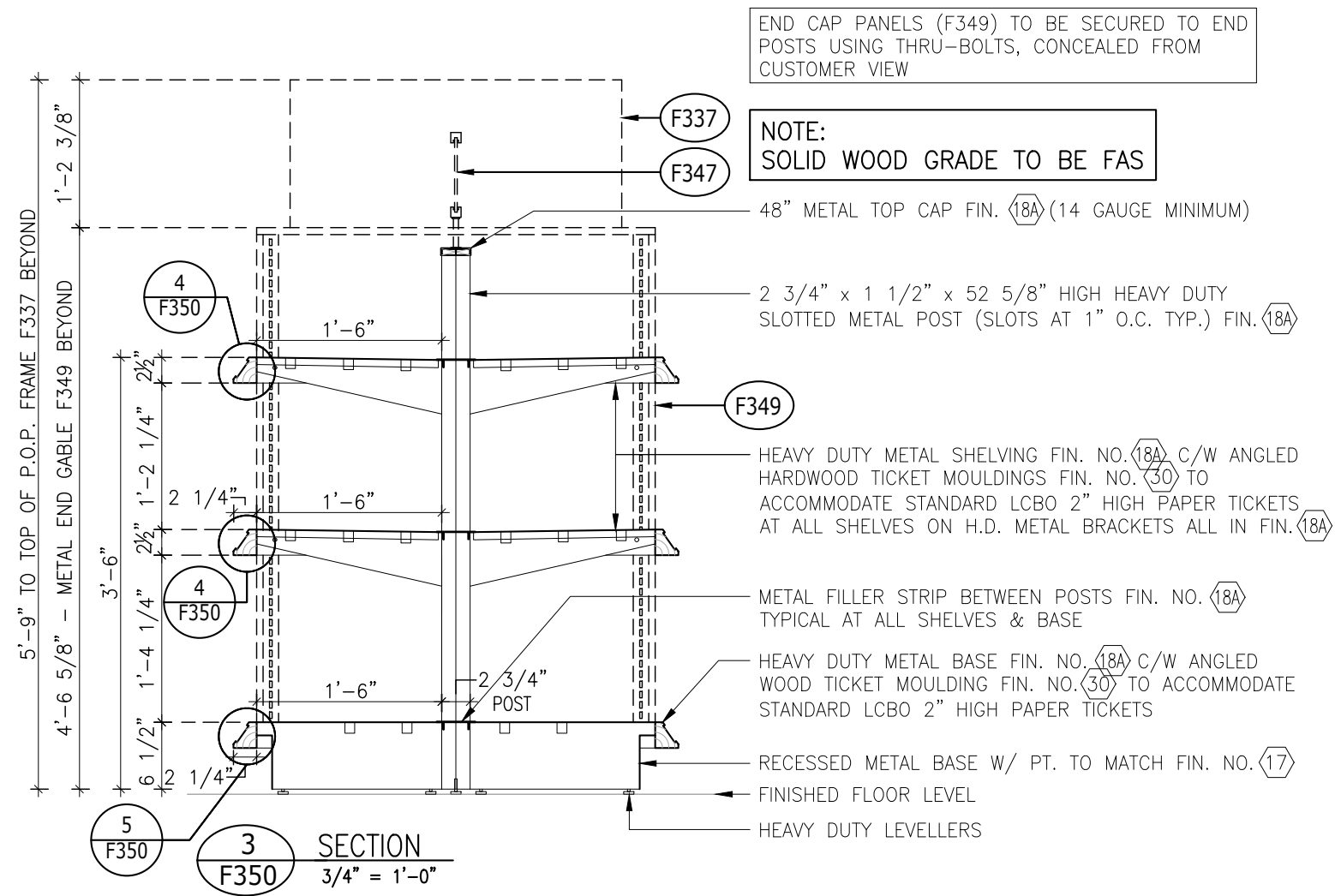
2 3/4" x 1" x 53 5/8" HIGH HEAVY DUTY SLOTTED METAL END POST (SLOTS AT 1" O.C. TYP.) FIN. NO. 18A

2 3/4" x 1 1/2" x 52 5/8" HIGH HEAVY DUTY SLOTTED METAL POST (SLOTS AT 1" O.C. TYP.) FIN. NO. 18A

HEAVY DUTY METAL SHELVING FIN. NO. 18A C/W ANGLED HARDWOOD TICKET MOULDINGS FIN. NO. 30 TO ACCOMMODATE STANDARD LCBO 2" HIGH PAPER TICKETS AT ALL SHELVES ON H.D. METAL BRACKETS ALL IN FIN. NO. 18A

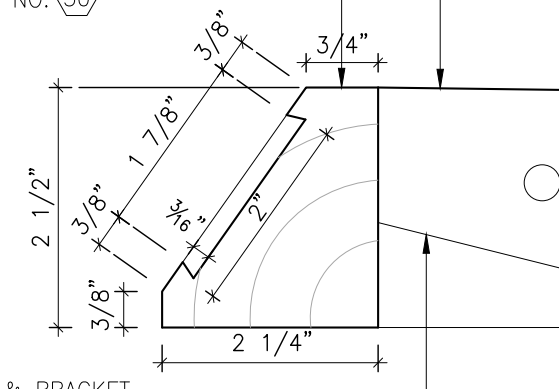
ALL END POSTS TO BE MODIFIED AS REQUIRED TO ENSURE THAT THERE ARE NO GAPS BETWEEN METAL SHELVES AND END GABLES (FILLER STRIPS ARE NOT ACCEPTABLE)

LCBO	300 VINTAGES	REVISION DATE	REV.	1 of 2	ISSUE DATE	STORE TYPE	STORE #
	3-HIGH 4'-0" METAL FLOOR GONDOLA (NARROW) - VINTAGES	2019 APR	16	F350	2021 APR		



HEAVY DUTY METAL SHELVING FIN. NO. (18A)
C/W ANGLED HARDWOOD TICKET MOULDINGS
TO ACCOMMODATE STANDARD LCBO 2" HIGH
PAPER TICKETS AT ALL SHELVES ON H.D.
METAL BRACKETS ALL IN FIN. NO. (18A)

HARDWOOD TICKET MOULDING
(ANGLED) FIN. NO. (30)



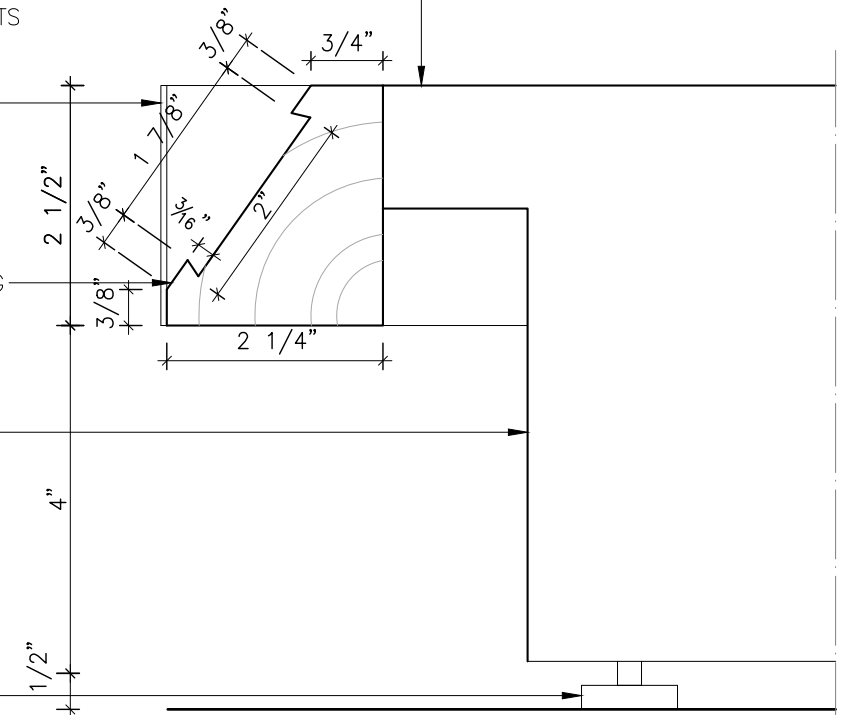
METAL SHELF & BRACKET
FIN. NO. (18A) BY METAL
SHELVING SUPPLIER

4
F350
DETAIL
6" = 1'-0"

HEAVY DUTY METAL BASE FIN. NO. (18A)
C/W ANGLED HARDWOOD TICKET
MOULDINGS TO ACCOMMODATE STANDARD
LCBO 2" HIGH PAPER TICKETS

2 1/4" x 2 1/4" METAL
CORNER GUARD
FIN. NO. (55) BEYOND

HARDWOOD TICKET MOULDING
(ANGLED) FIN. NO. (30)

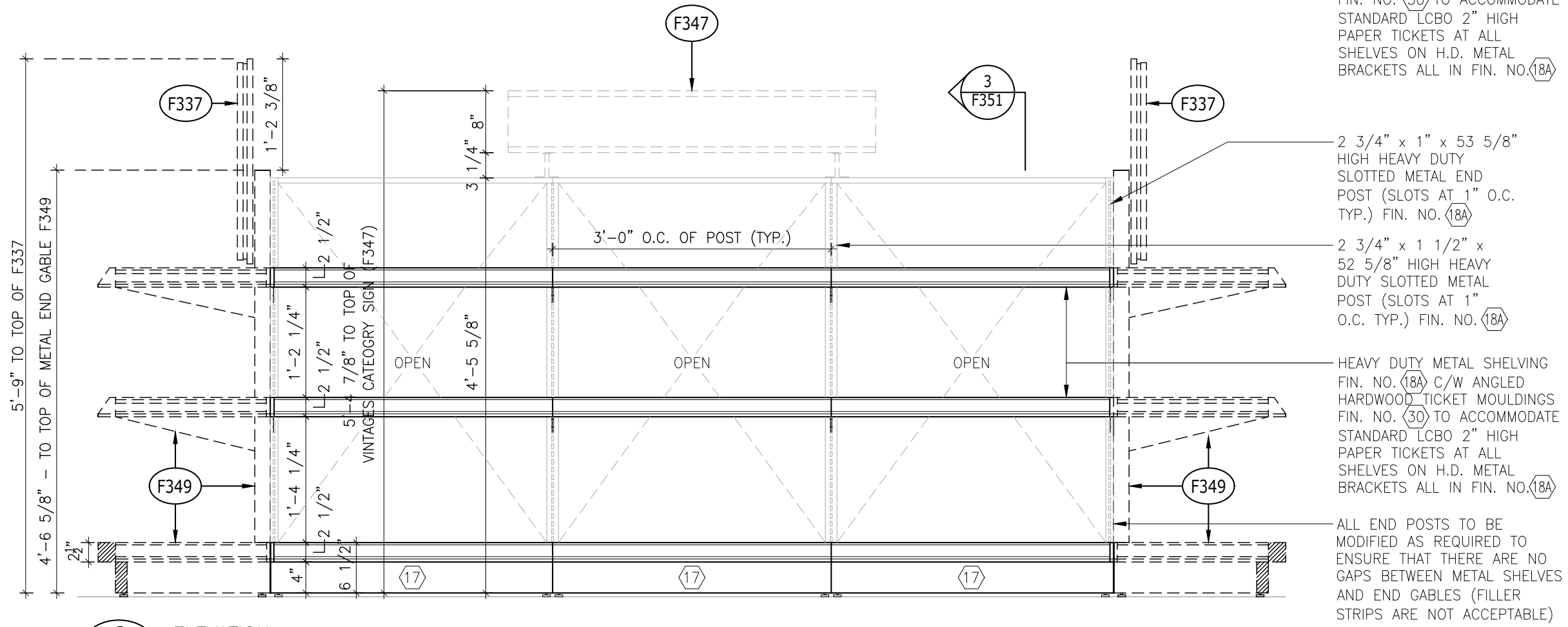
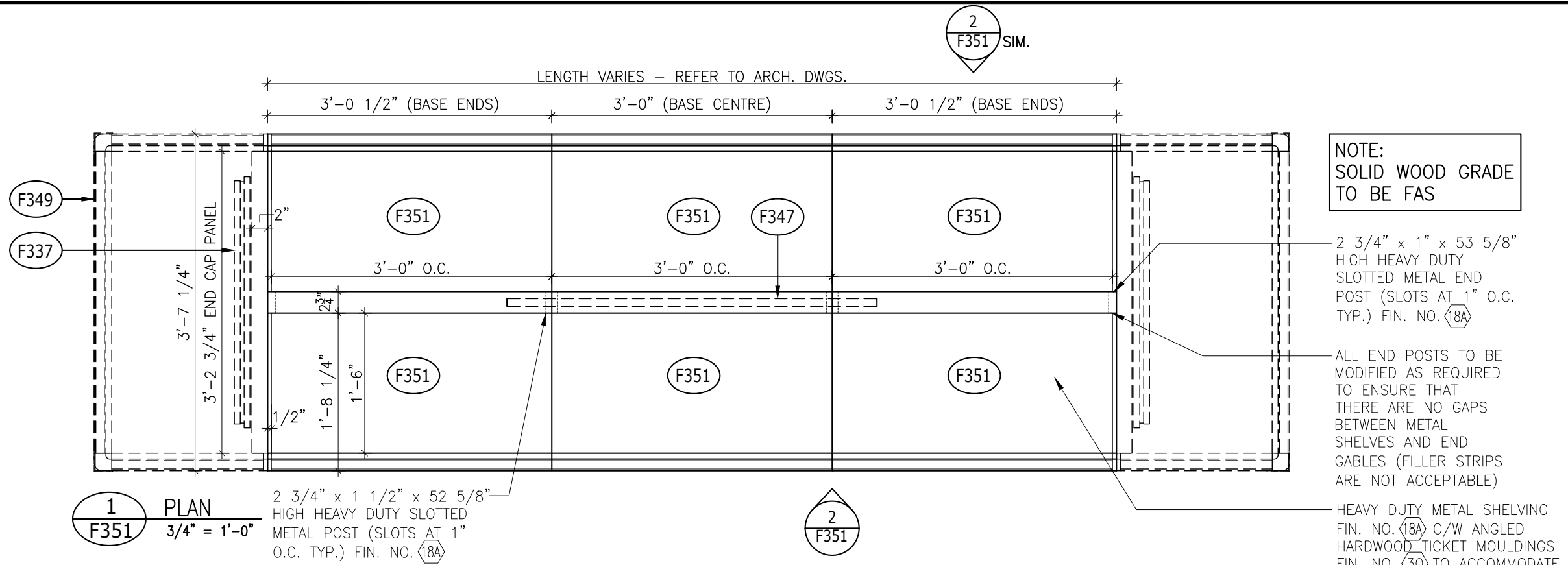


4" HIGH METAL BASE PT.
FIN. TO MATCH FIN. NO. (17)

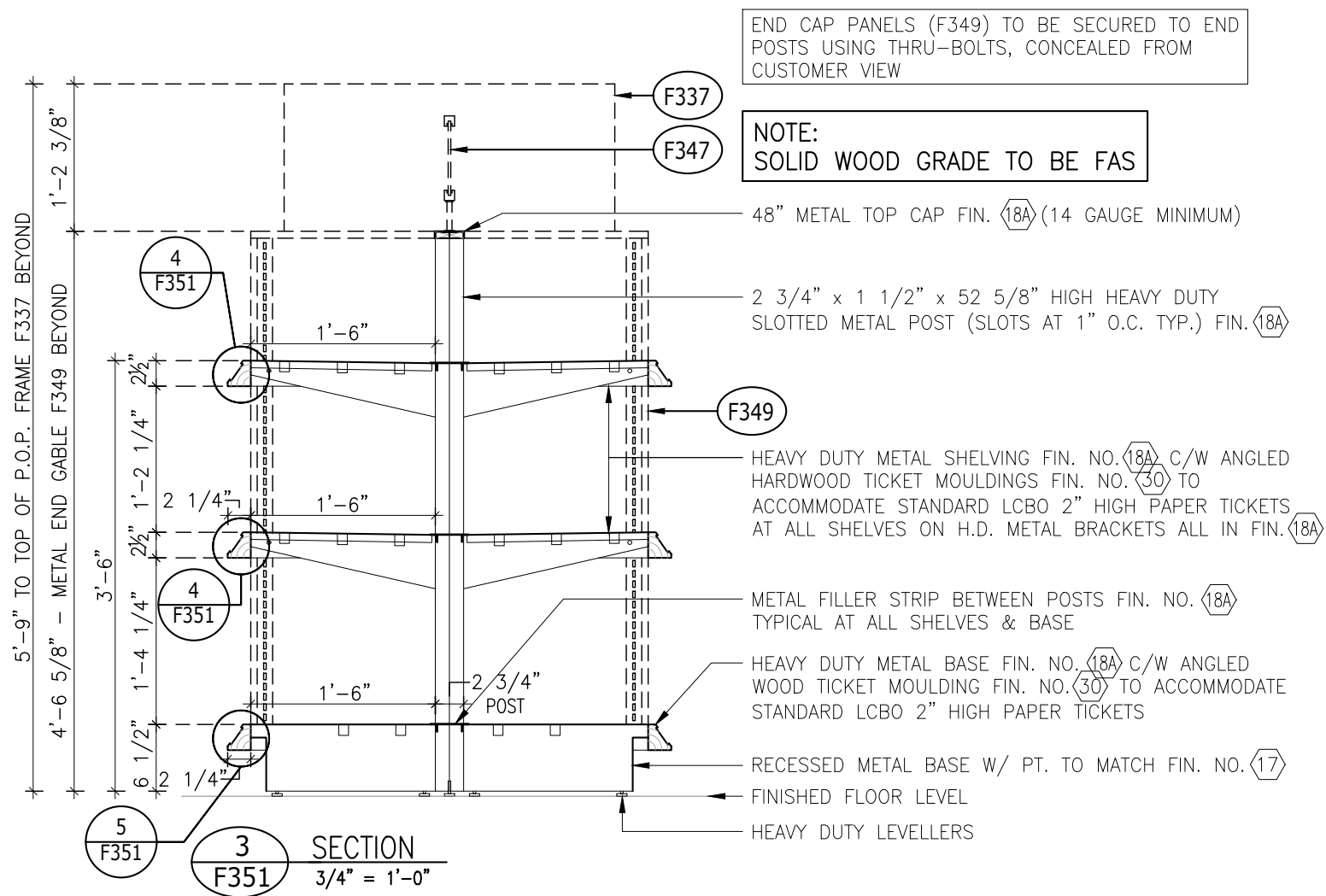
HEAVY DUTY ADJ. GLIDES

5
F350
DETAIL
6" = 1'-0"

LCBO	300 VINTAGES	REVISION DATE	REV.	2 of 2	ISSUE DATE	STORE TYPE	STORE #
	3-HIGH 4'-0" METAL FLOOR GONDOLA (NARROW) - VINTAGES	2019 APR	16	F350	2021 APR		

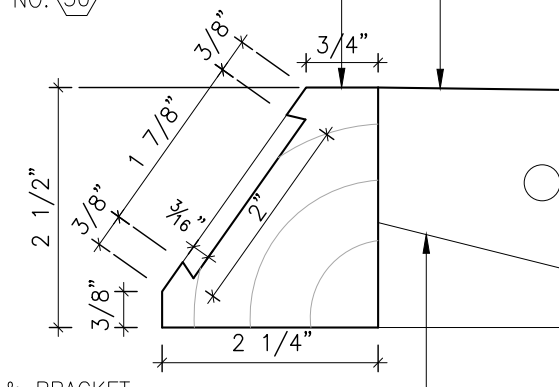


LCBO	300 VINTAGES	REVISION DATE	REV.	1 of 2	ISSUE DATE	STORE TYPE	STORE #
	3-HIGH 3'0" METAL FLOOR GONDOLA (NARROW) - VINTAGES	2019 APR	16	F351	2021 APR		



HEAVY DUTY METAL SHELVING FIN. NO. (18A)
C/W ANGLED HARDWOOD TICKET MOULDINGS
TO ACCOMMODATE STANDARD LCBO 2" HIGH
PAPER TICKETS AT ALL SHELVES ON H.D.
METAL BRACKETS ALL IN FIN. (18A)

HARDWOOD TICKET MOULDING
(ANGLED) FIN. NO. (30)



METAL SHELF & BRACKET
FIN. NO. (18A) BY METAL
SHELVING SUPPLIER

4
F351
DETAIL
6" = 1'-0"

HEAVY DUTY METAL BASE FIN. NO. (18A)
C/W ANGLED WOOD TICKET MOULDINGS
TO ACCOMMODATE STANDARD LCBO 2"
HIGH PAPER TICKETS

2 1/4" x 2 1/4" METAL
CORNER GUARD
FIN. NO. (55) BEYOND

HARDWOOD TICKET MOULDING
(ANGLED) FIN. NO. (30)

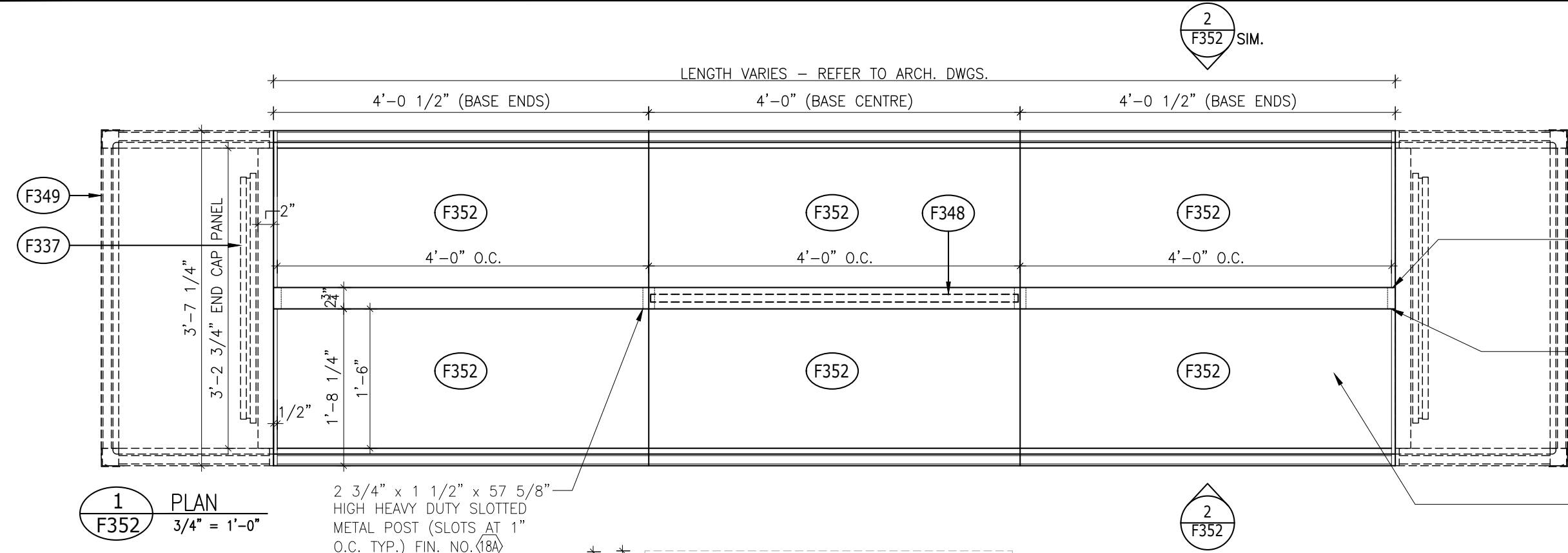
4" HIGH METAL BASE PT.
FIN. TO MATCH FIN. NO. (17)

HEAVY DUTY ADJ. GLIDES

5
F351
DETAIL
6" = 1'-0"

LCBO	300 VINTAGES	REVISION DATE	REV.	2 of 2	ISSUE DATE	STORE TYPE	STORE #
	3-HIGH 3'-0" METAL FLOOR GONDOLA (NARROW) - VINTAGES	2019 APR	16	F351	2021 APR		

2
F352 SIM.



1 PLAN
F352 3/4\" = 1'-0\"

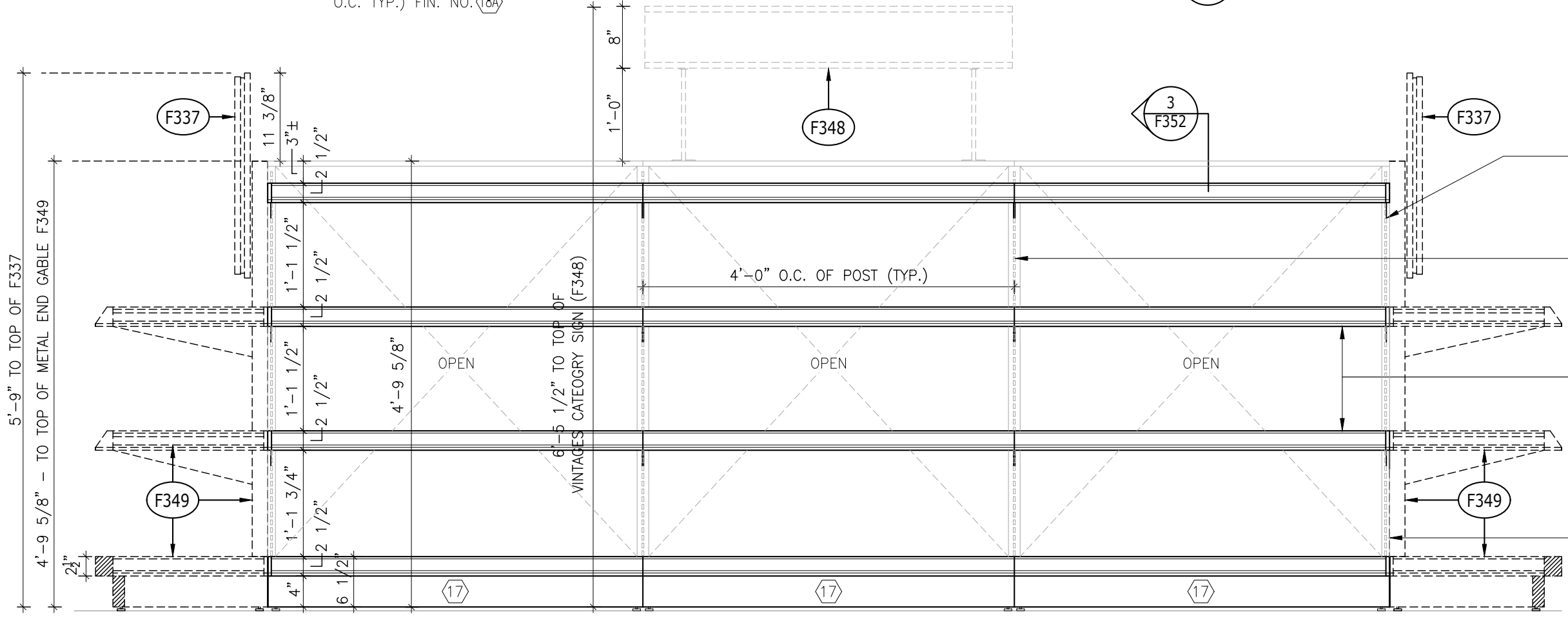
2 3/4\" x 1 1/2\" x 57 5/8\"
HIGH HEAVY DUTY SLOTTED
METAL POST (SLOTS AT 1\"
O.C. TYP.) FIN. NO. 18A

NOTE:
SOLID WOOD GRADE
TO BE FAS

2 3/4\" x 1\" x 57 5/8\"
HIGH HEAVY DUTY
SLOTTED METAL END
POST (SLOTS AT 1\" O.C.
TYP.) FIN. NO. 18A

ALL END POSTS TO BE
MODIFIED AS REQUIRED
TO ENSURE THAT
THERE ARE NO GAPS
BETWEEN METAL
SHELVES AND END
GABLES (FILLER STRIPS
ARE NOT ACCEPTABLE)

HEAVY DUTY METAL SHELVING
FIN. NO. 18A C/W ANGLED
HARDWOOD TICKET MOULDINGS
FIN. NO. 30 TO ACCOMMODATE
STANDARD LCBO 2\" HIGH
PAPER TICKETS AT ALL
SHELVES ON H.D. METAL
BRACKETS ALL IN FIN. NO. 18A



2 ELEVATION
F352 3/4\" = 1'-0\"

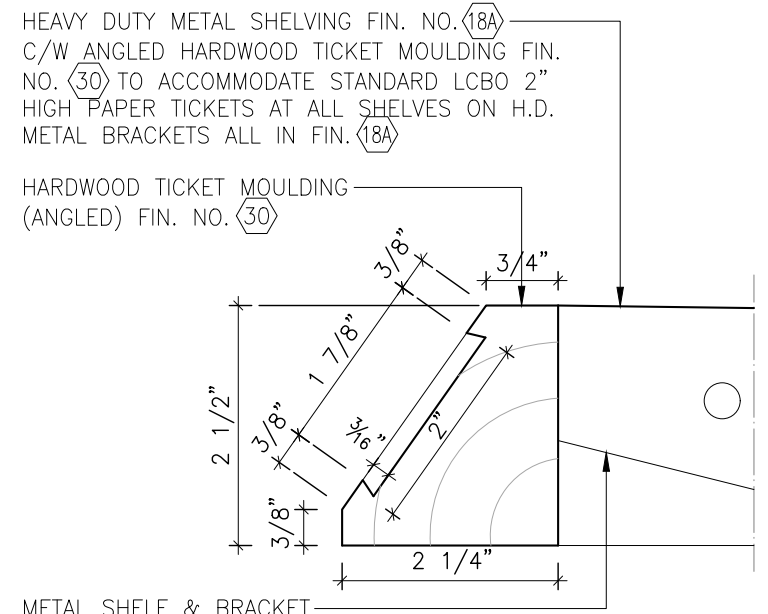
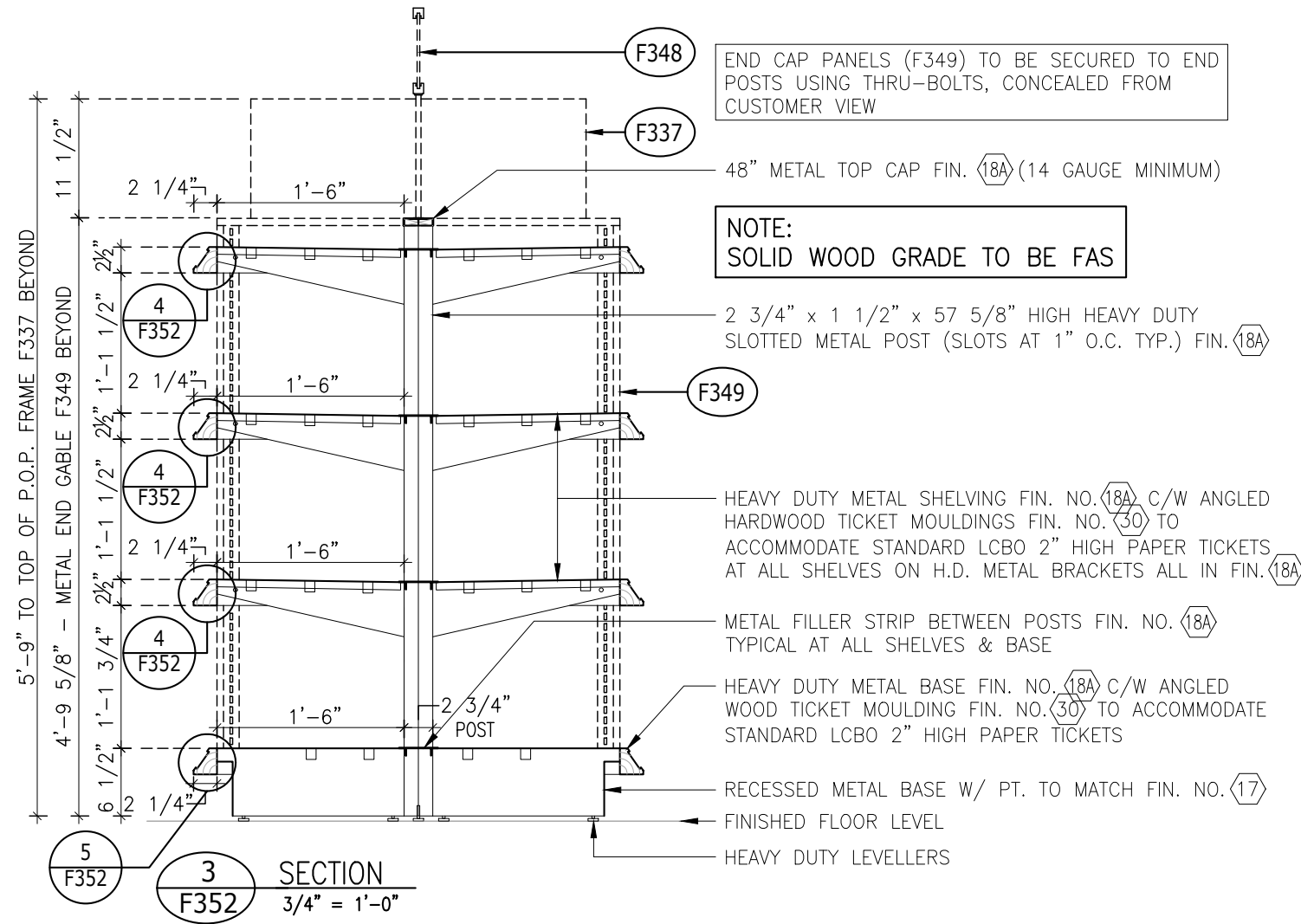
2 3/4\" x 1\" x 57 5/8\"
HIGH HEAVY DUTY
SLOTTED METAL END
POST (SLOTS AT 1\" O.C.
TYP.) FIN. NO. 18A

2 3/4\" x 1 1/2\" x
57 5/8\" HIGH HEAVY
DUTY SLOTTED METAL
POST (SLOTS AT 1\"
O.C. TYP.) FIN. NO. 18A

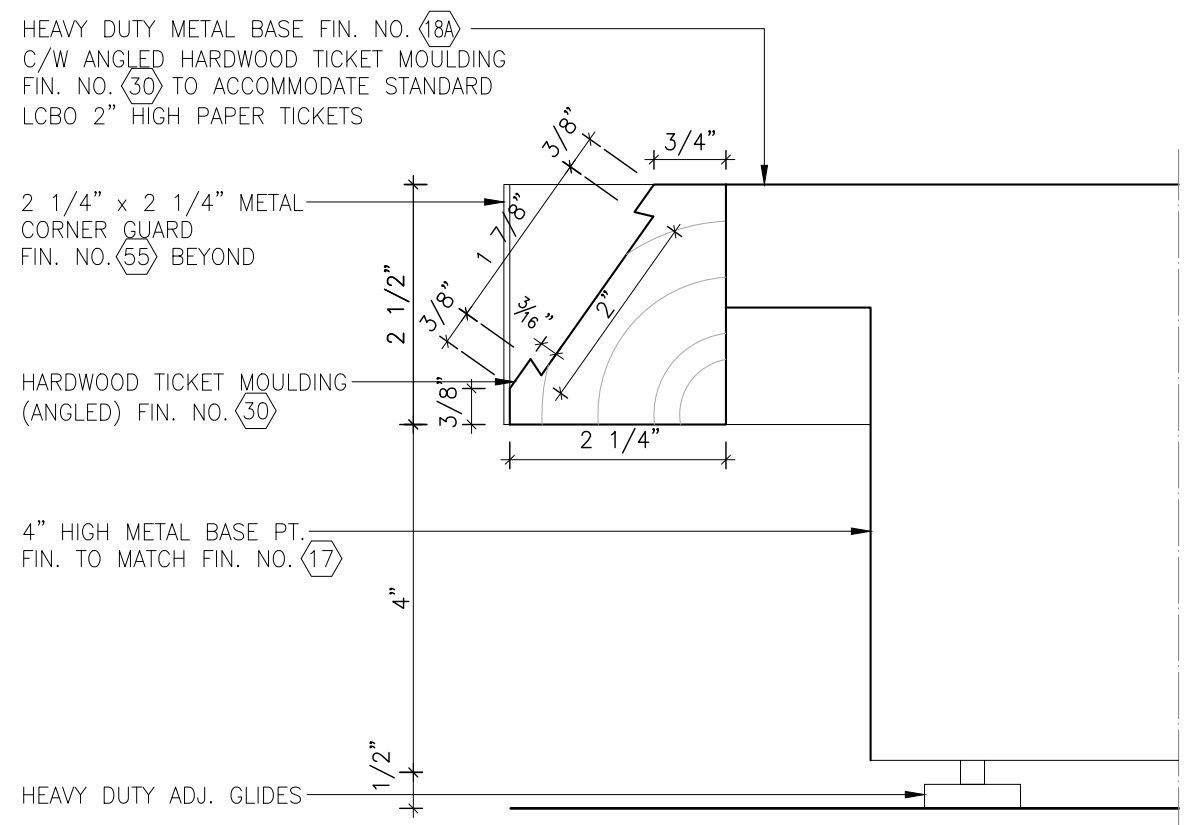
HEAVY DUTY METAL SHELVING
FIN. NO. 18A C/W ANGLED
HARDWOOD TICKET MOULDINGS
FIN. NO. 30 TO ACCOMMODATE
STANDARD LCBO 2\" HIGH
PAPER TICKETS AT ALL
SHELVES ON H.D. METAL
BRACKETS ALL IN FIN. NO. 18A

ALL END POSTS TO BE
MODIFIED AS REQUIRED TO
ENSURE THAT THERE ARE NO
GAPS BETWEEN METAL SHELVES
AND END GABLES (FILLER
STRIPS ARE NOT ACCEPTABLE)

LCBO	300 VINTAGES	REVISION DATE	REV.	1 of 2	ISSUE DATE	STORE TYPE	STORE #
	4-HIGH 4'-0" METAL FLOOR GONDOLA (NARROW) - VINTAGES	2019 APR	16	F352	2021 APR		

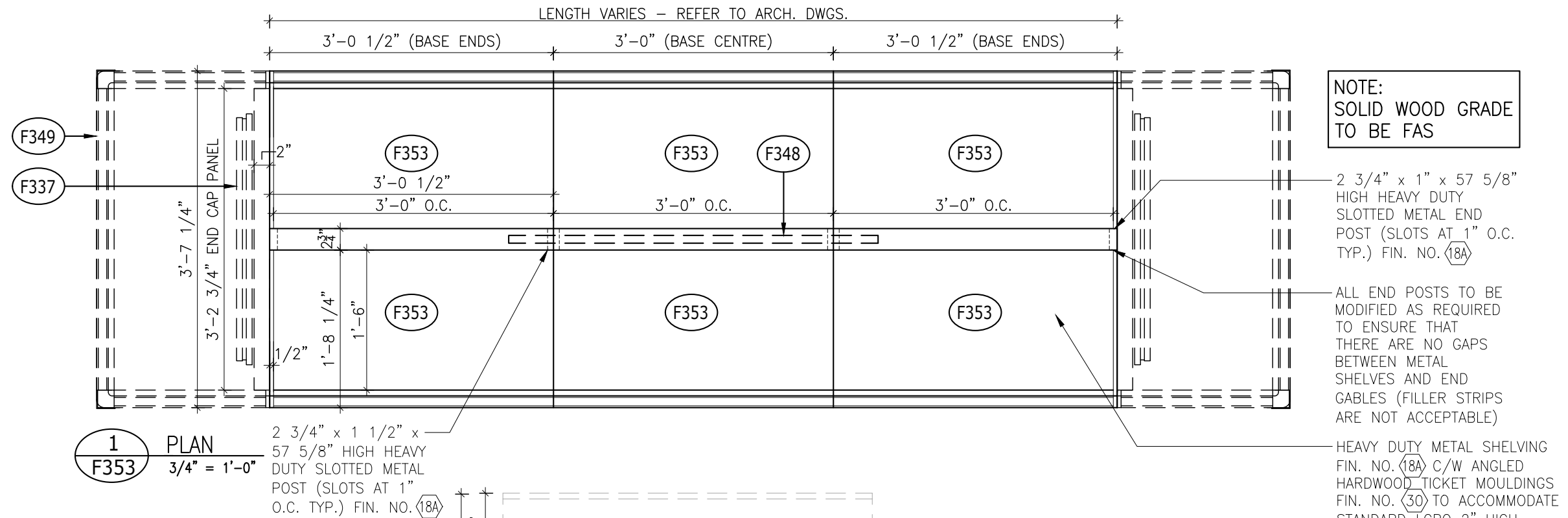


4 DETAIL
 F352 6" = 1'-0"



5 DETAIL
 F352 6" = 1'-0"

LCBO	300 VINTAGES	REVISION DATE	REV.	2 of 2	ISSUE DATE	STORE TYPE	STORE #
	4-HIGH 4'-0" METAL FLOOR GONDOLA (NARROW) - VINTAGES	2019 APR	16	F352	2021 APR		

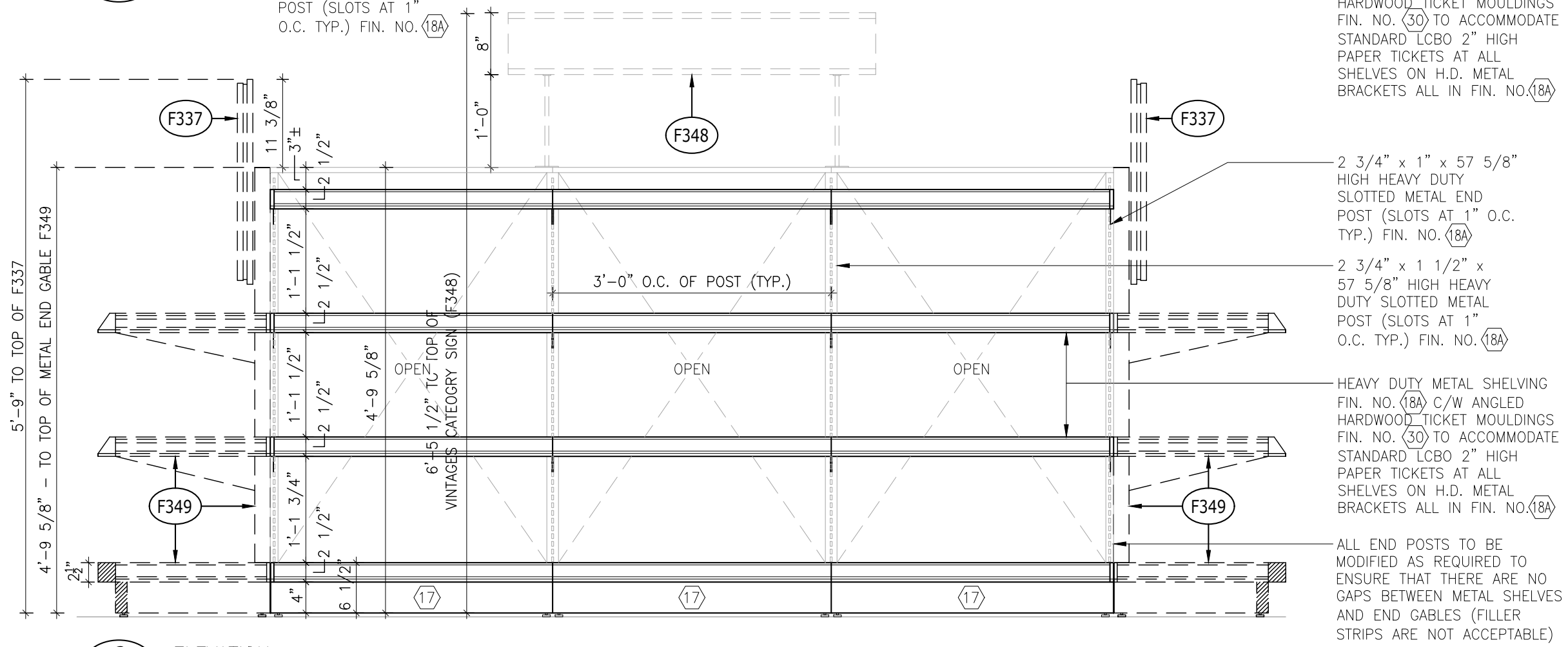


NOTE:
SOLID WOOD GRADE
TO BE FAS

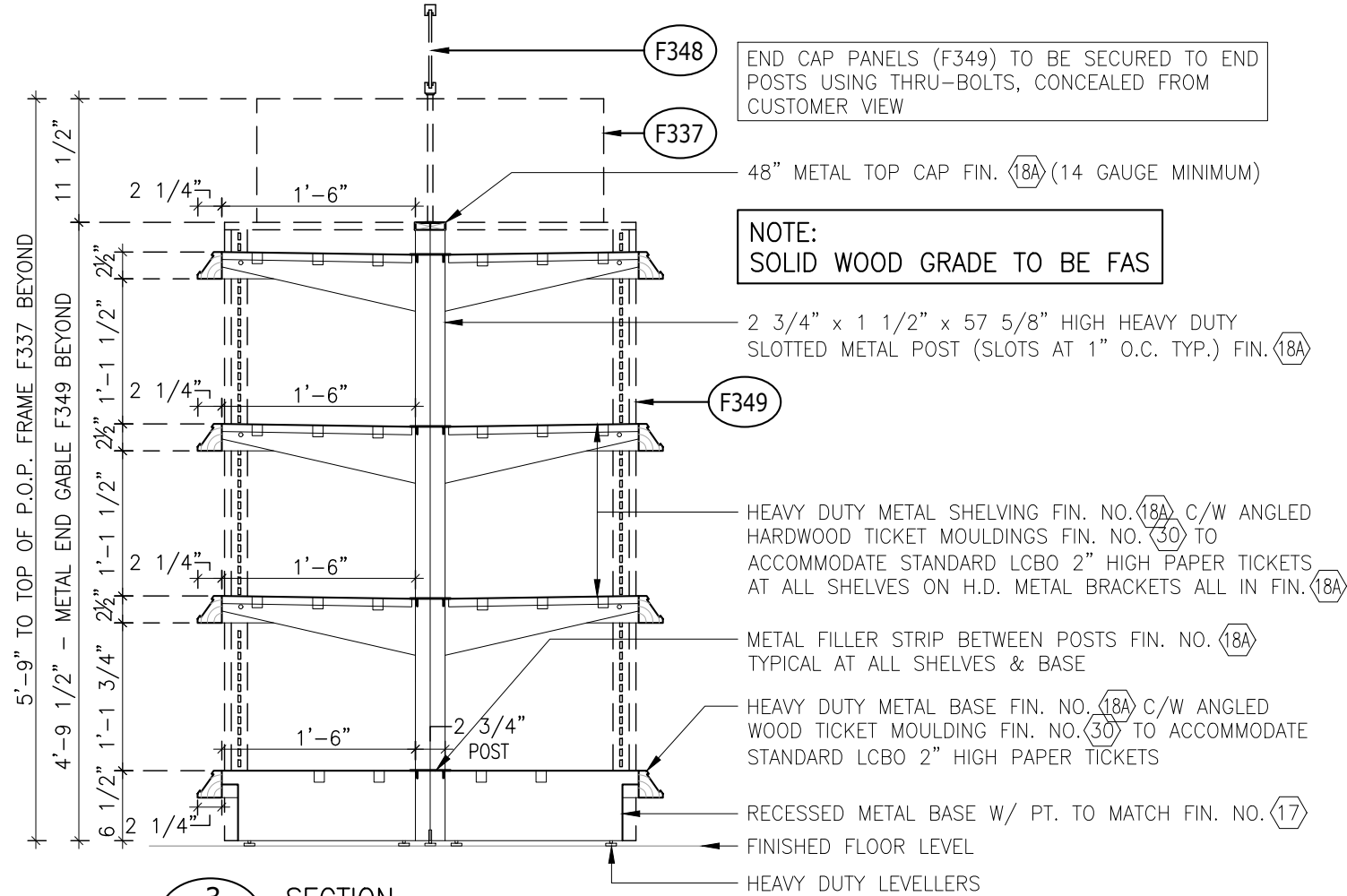
2 3/4" x 1" x 57 5/8" HIGH HEAVY DUTY SLOTTED METAL END POST (SLOTS AT 1" O.C. TYP.) FIN. NO. (18A)

ALL END POSTS TO BE MODIFIED AS REQUIRED TO ENSURE THAT THERE ARE NO GAPS BETWEEN METAL SHELVES AND END GABLES (FILLER STRIPS ARE NOT ACCEPTABLE)

HEAVY DUTY METAL SHELVING FIN. NO. (18A) C/W ANGLED HARDWOOD TICKET MOULDINGS FIN. NO. (30) TO ACCOMMODATE STANDARD LCBO 2" HIGH PAPER TICKETS AT ALL SHELVES ON H.D. METAL BRACKETS ALL IN FIN. NO. (18A)



LCBO	300 VINTAGES	REVISION DATE	REV.	1 of 2	ISSUE DATE	STORE TYPE	STORE #
	4-HIGH 3'-0" METAL FLOOR GONDOLA (NARROW) - VINTAGES	2019 APR	16	F353	2021 APR		



3 SECTION
F353 3/4" = 1'-0"

F348 END CAP PANELS (F349) TO BE SECURED TO END POSTS USING THRU-BOLTS, CONCEALED FROM CUSTOMER VIEW

NOTE:
SOLID WOOD GRADE TO BE FAS

2 3/4" x 1 1/2" x 57 5/8" HIGH HEAVY DUTY SLOTTED METAL POST (SLOTS AT 1" O.C. TYP.) FIN. (18A)

HEAVY DUTY METAL SHELVING FIN. NO. (18A) C/W ANGLED HARDWOOD TICKET MOULDINGS FIN. NO. (30) TO ACCOMMODATE STANDARD LCBO 2" HIGH PAPER TICKETS AT ALL SHELVES ON H.D. METAL BRACKETS ALL IN FIN. (18A)

METAL FILLER STRIP BETWEEN POSTS FIN. NO. (18A) TYPICAL AT ALL SHELVES & BASE

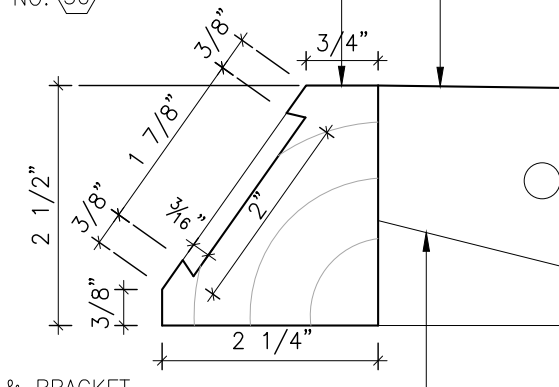
HEAVY DUTY METAL BASE FIN. NO. (18A) C/W ANGLED WOOD TICKET MOULDING FIN. NO. (30) TO ACCOMMODATE STANDARD LCBO 2" HIGH PAPER TICKETS

RECESSED METAL BASE W/ PT. TO MATCH FIN. NO. (17)

FINISHED FLOOR LEVEL
HEAVY DUTY LEVELLERS

HEAVY DUTY METAL SHELVING FIN. NO. (18A)
C/W ANGLED HARDWOOD TICKET MOULDING FIN. NO. (30) TO ACCOMMODATE STANDARD LCBO 2" HIGH PAPER TICKETS AT ALL SHELVES ON H.D. METAL BRACKETS ALL IN FIN. (18A)

HARDWOOD TICKET MOULDING (ANGLED) FIN. NO. (30)



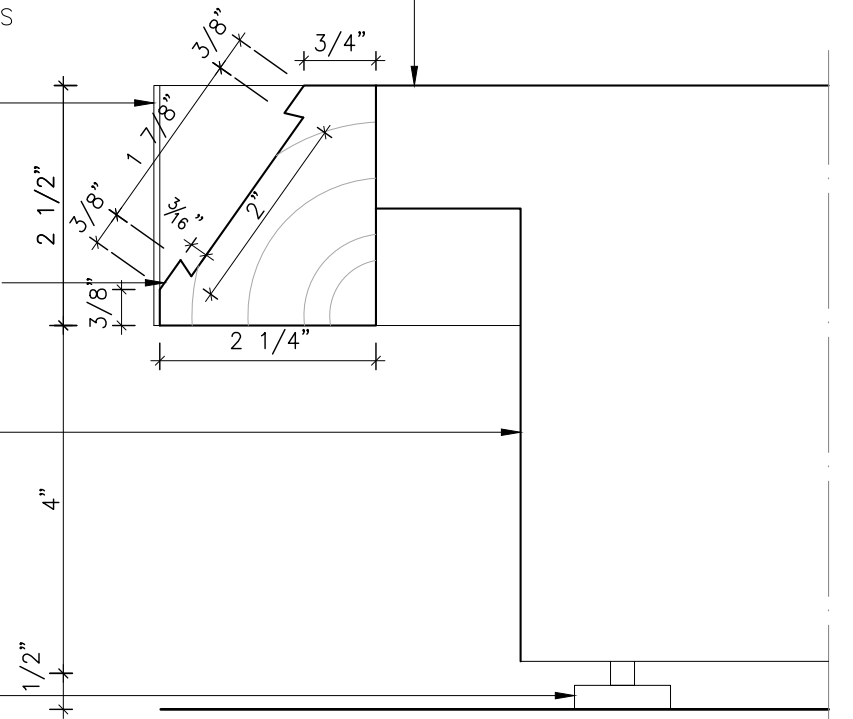
METAL SHELF & BRACKET FIN. NO. (18A) BY METAL SHELVING SUPPLIER

4 DETAIL
F353 6" = 1'-0"

HEAVY DUTY METAL BASE FIN. NO. (18A) C/W ANGLED HARDWOOD TICKET MOULDING FIN. NO. (30) TO ACCOMMODATE STANDARD LCBO 2" HIGH PAPER TICKETS

2 1/4" x 2 1/4" METAL CORNER GUARD FIN. NO. (55) BEYOND

HARDWOOD TICKET MOULDING (ANGLED) FIN. NO. (30)

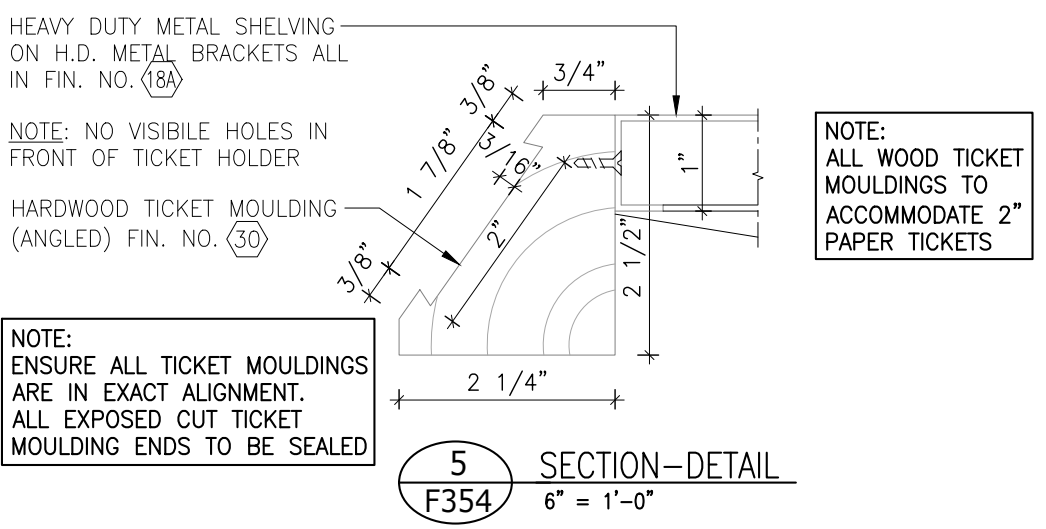
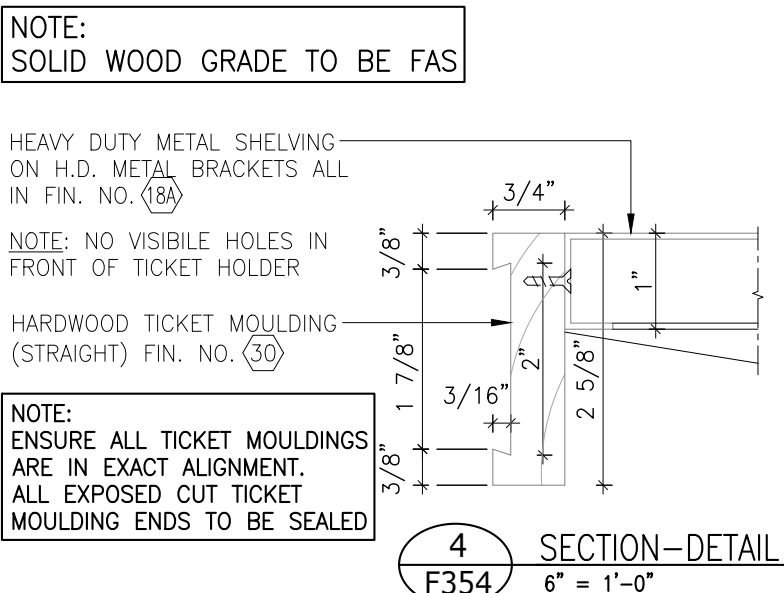
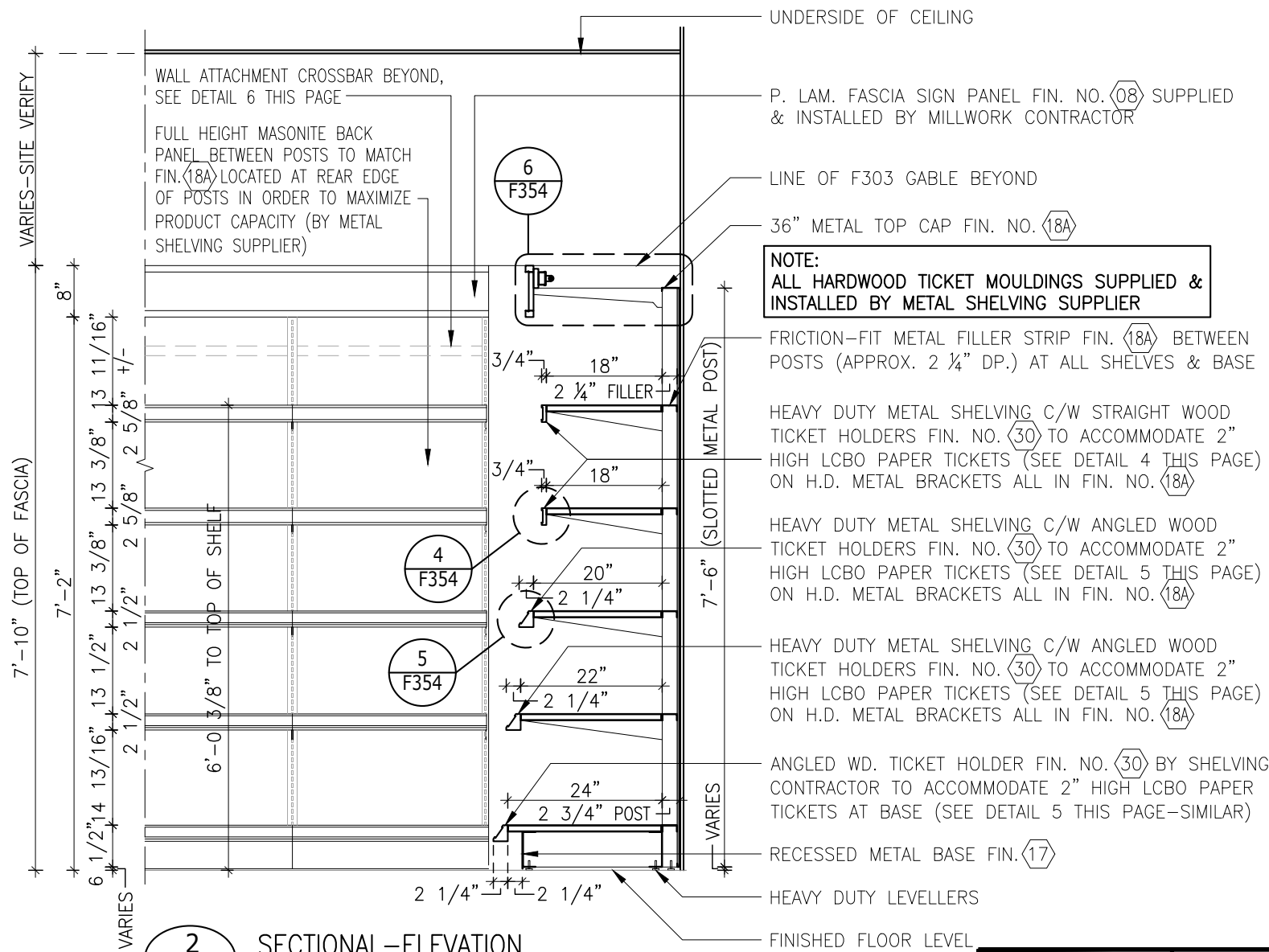
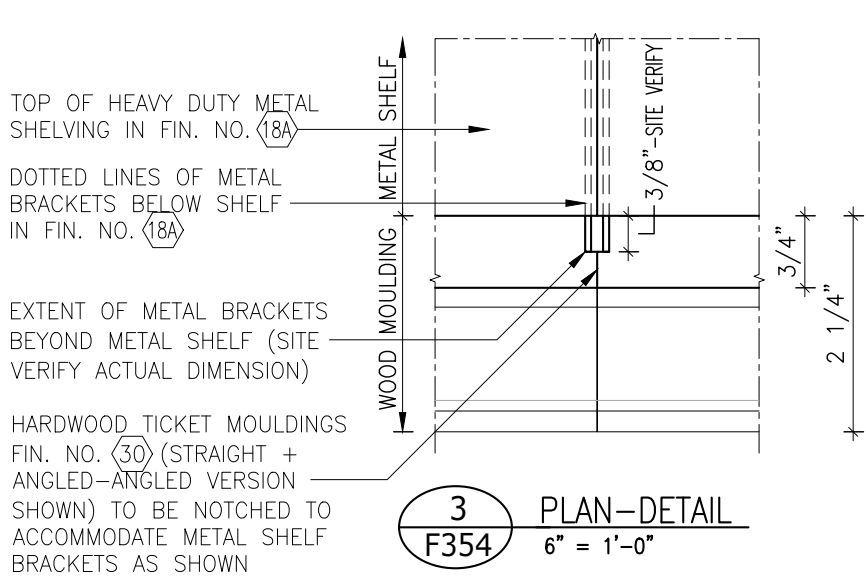
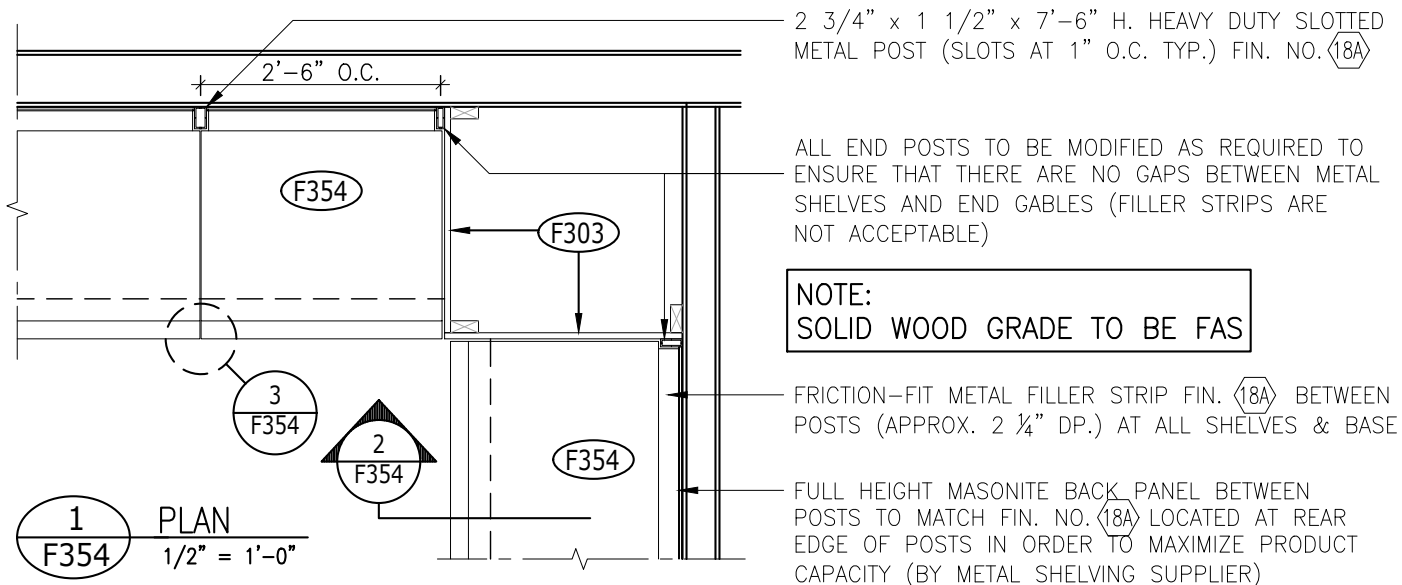


4" HIGH METAL BASE PT. FIN. TO MATCH FIN. NO. (17)

HEAVY DUTY ADJ. GLIDES

5 DETAIL
F353 6" = 1'-0"

LCBO	300 VINTAGES	REVISION DATE	REV.	2 of 2	ISSUE DATE	STORE TYPE	STORE #
	4-HIGH 3'-0" METAL FLOOR GONDOLA (NARROW) - VINTAGES	2019 APR	16	F353	2021 APR		



LCBO	300 VINTAGES	REVISION DATE	REV.	1 of 2	ISSUE DATE	STORE TYPE	STORE #
	2'-6" VINTAGES PERIMETER METAL SHELVING UNIT C/W FASCIA PANEL	2017 NOV	15	F354	2021 APR		

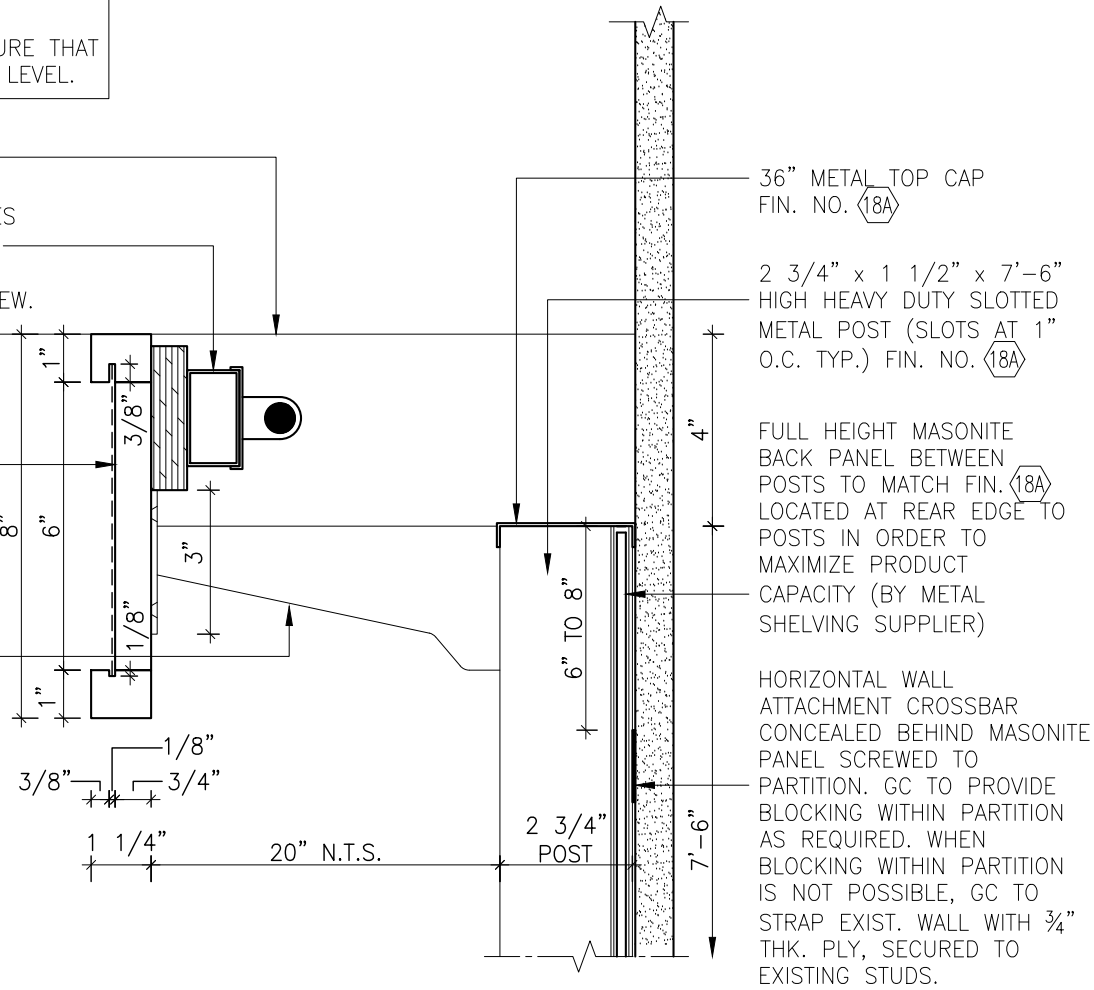
NOTE:
MILLWORK CONTRACTOR TO ENSURE THAT WOOD SIGN BAND IS TRUE AND LEVEL.

LINE OF F303 GABLE BEYOND

T5 FLUORESCENT LIGHT FIXTURES MOUNTED TO A 3/4" PLYWOOD STRIP. ALL POWER FEEDS CONCEALED FROM CUSTOMER VIEW.

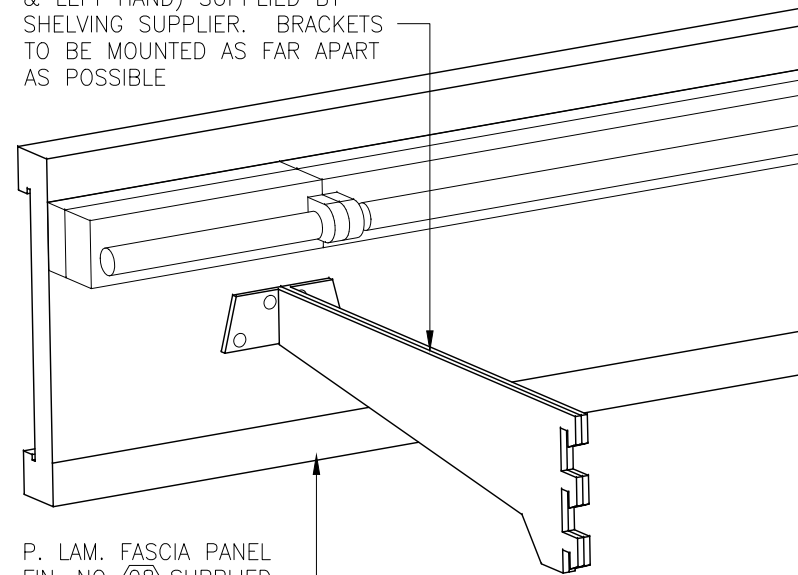
P.LAM FASCIA SIGN PANEL FIN. NO. (08) SUPPLIED AND INSTALLED BY MILLWORK CONTRACTOR WITH AS FEW SEAMS AS POSSIBLE (i.e. MINIMUM 8'-0" LENGTHS EXCEPT AT END RUNS AS REQ'D).

20" METAL BRACKET W/ WELDED 3" X 3" METAL FLANGE BY SHELVING SUPPLIER ALL IN FIN. NO. (18A)



6
F354
DETAIL
3" = 1'-0"

(2) 20" METAL BRACKETS C/W METAL MOUNTING PLATE (RIGHT & LEFT HAND) SUPPLIED BY SHELVING SUPPLIER. BRACKETS TO BE MOUNTED AS FAR APART AS POSSIBLE



P. LAM. FASCIA PANEL FIN. NO. (08) SUPPLIED AND INSTALLED BY MILLWORK CONTRACTOR

7
F354
SIGN BAND MOUNTING ISOMETRIC
N.T.S.

GENERAL NOTES

- DIMENSIONS SHOWN REFLECT SHELF & BASE DIMENSIONS ONLY & DO NOT TAKE TICKET HOLDERS INTO ACCOUNT, UNLESS SPECIFICALLY NOTED
- ALL ADJUSTMENTS TO COMPENSATE FOR NON-LEVEL FLOOR SURFACES TO BE MADE AT BOTTOM END OF POST
- GC TO CO-ORDINATE MILLWORK + METAL SHELF INSTALLATION
- T5 FLUORESCENT LIGHT FIXTURES TO BE SUPPLIED & INSTALLED BY G.C.
- GC RESPONSIBLE FOR INSTALLATION OF WALL STRAPPING AS REQ'D.
- MILLWORK CONTRACTOR TO OBTAIN SIGNAGE SAMPLE FROM LCBO PRIOR TO FABRICATION TO ENSURE PROPER FIT OF SIGNAGE INSERT
- SHELVING SUPPLIER TO OBTAIN 2" HIGH PAPER TICKET SAMPLE FROM LCBO PRIOR TO FABRICATION TO ENSURE PROPER FIT WITHIN TICKET MOULDING. SUBMIT SAMPLE FOR APPROVAL
- GC TO ENSURE ALL SHELVES ARE IN EXACT ALIGNMENT AND ARE TRUE & LEVEL. PERFORATED SHELVES ARE ACCEPTABLE. SHELVES TO SUPPORT LOAD CAPACITY OF 500LBS
- ALL END POSTS TO BE MODIFIED AS REQUIRED TO ENSURE THAT THERE ARE NO GAPS BETWEEN METAL SHELVES AND END GABLES (FILLER STRIPS ARE NOT ACCEPTABLE)

LCBO

300 VINTAGES

2'-6" VINTAGES PERIMETER METAL SHELVING UNIT C/W FASCIA PANEL

REVISION DATE

2019 APR

REV.

16

2 of 2

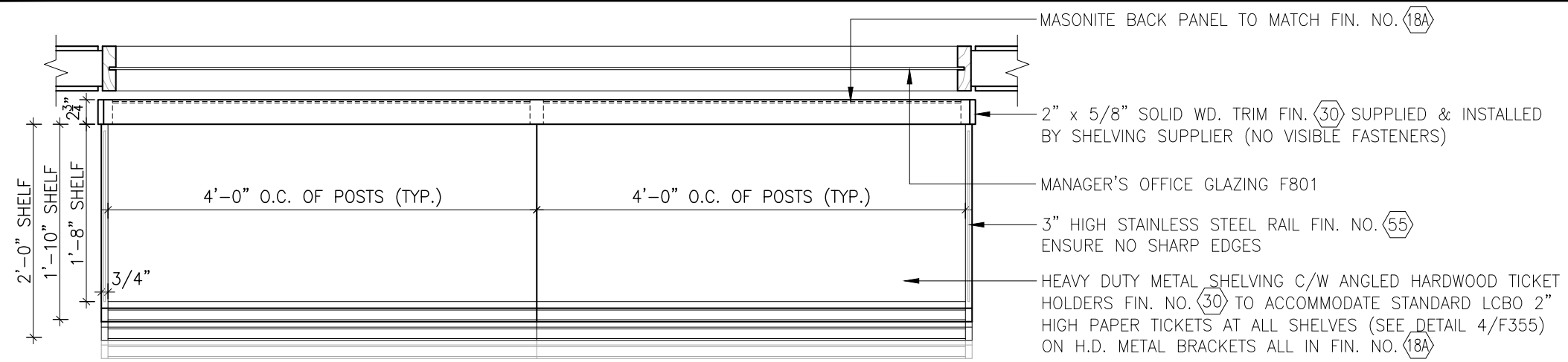
F354

ISSUE DATE

2021 APR

STORE TYPE

STORE #

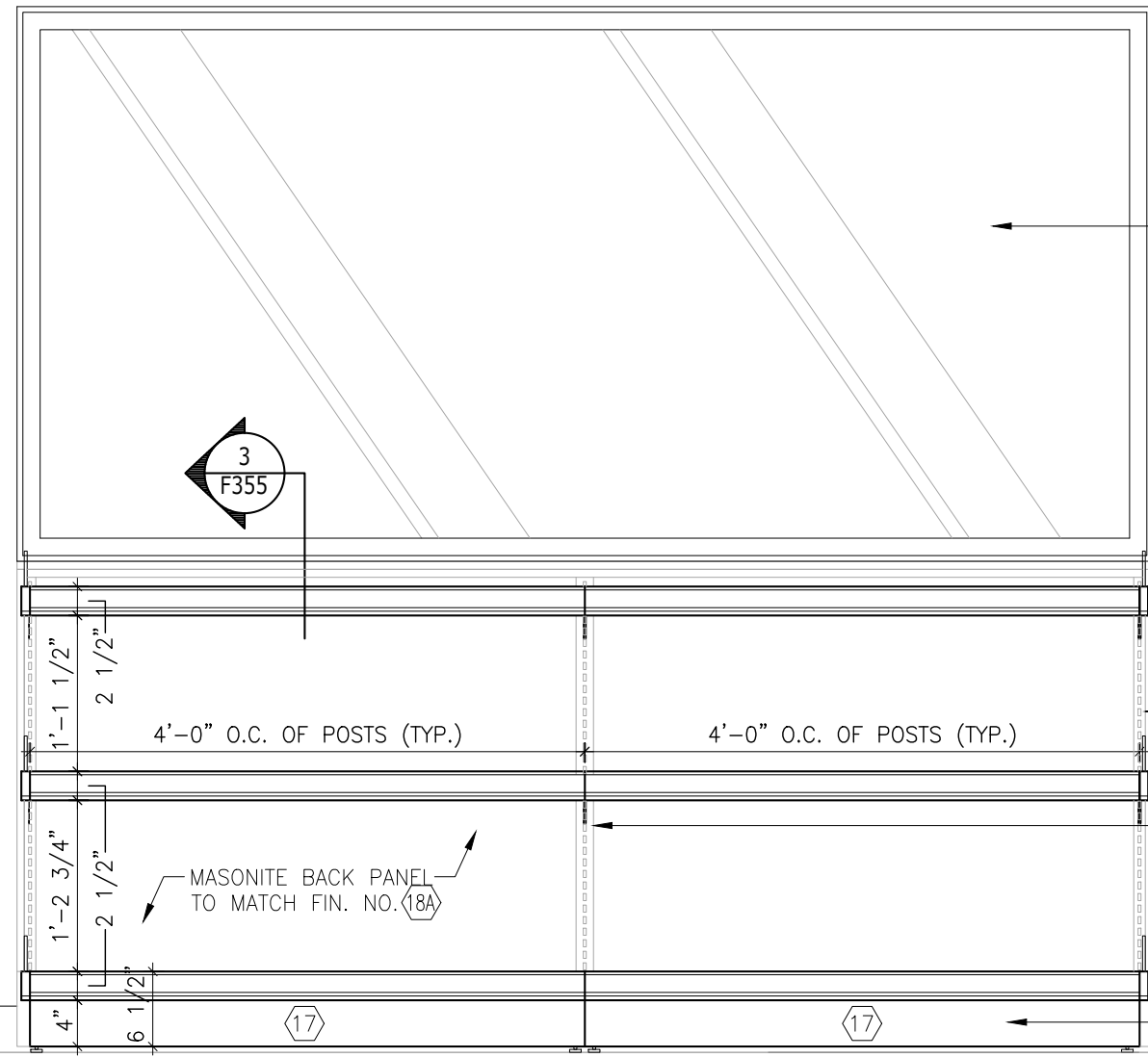


1 PLAN
F355 3/4" = 1'-0"

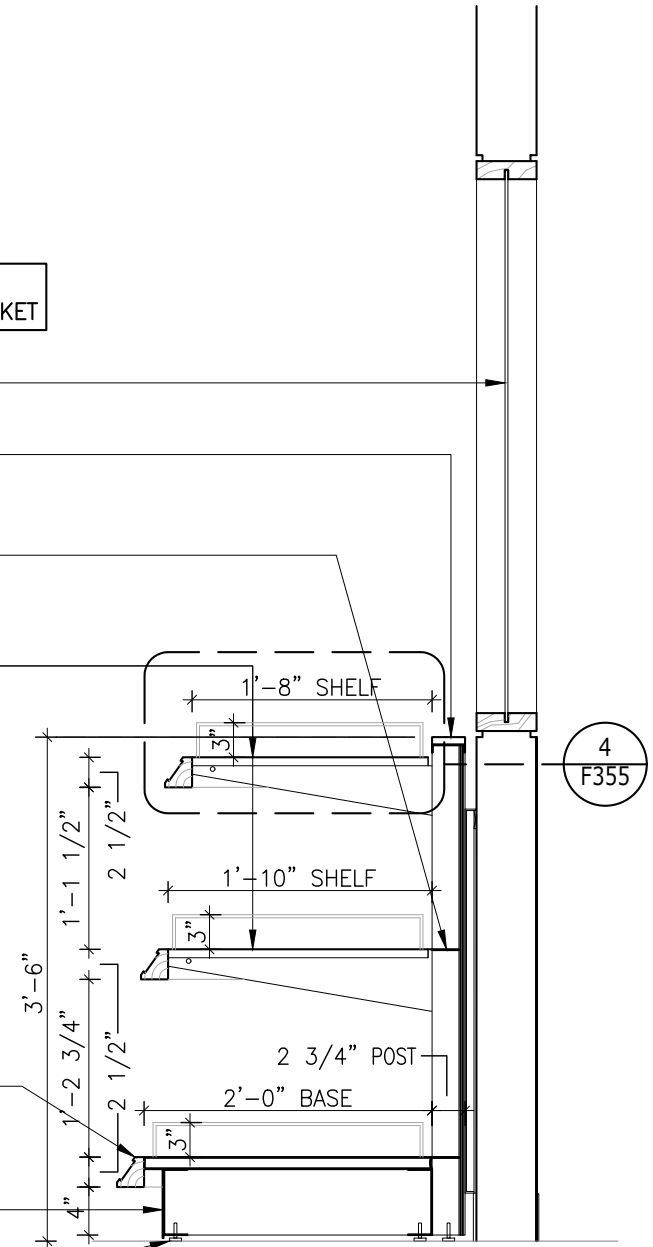
2 F355

NOTE:
SOLID WOOD GRADE TO BE FAS

NOTE:
ALL WOOD TICKET MOULDINGS TO ACCOMMODATE 2" PAPER TICKET



2 ELEVATION
F355 3/4" = 1'-0"



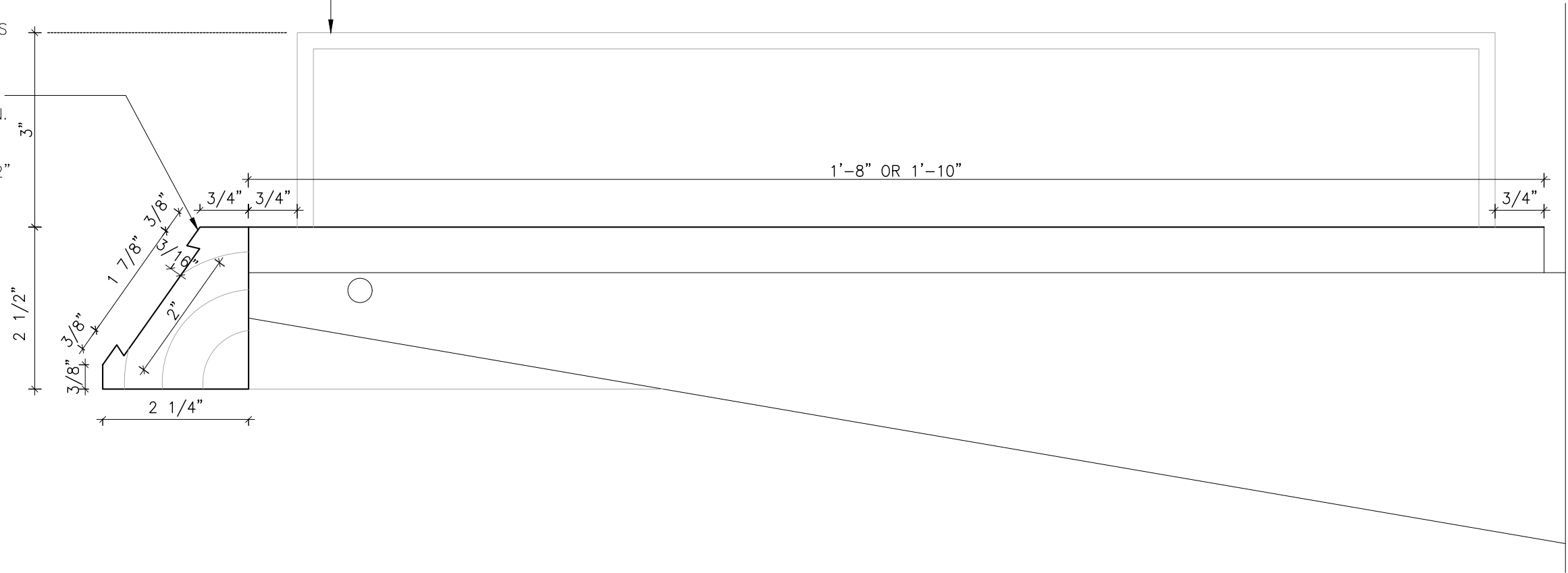
3 SECTION
F355 3/4" = 1'-0"

LCBO	300 VINTAGES	REVISION DATE	REV.	1 of 2	ISSUE DATE	STORE TYPE	STORE #
	3-HIGH 48" VINTAGES PERIM. MET. SHELVING UNIT w/ WOOD TICKET MOULD	2017 NOV	15	F355	2021 APR		

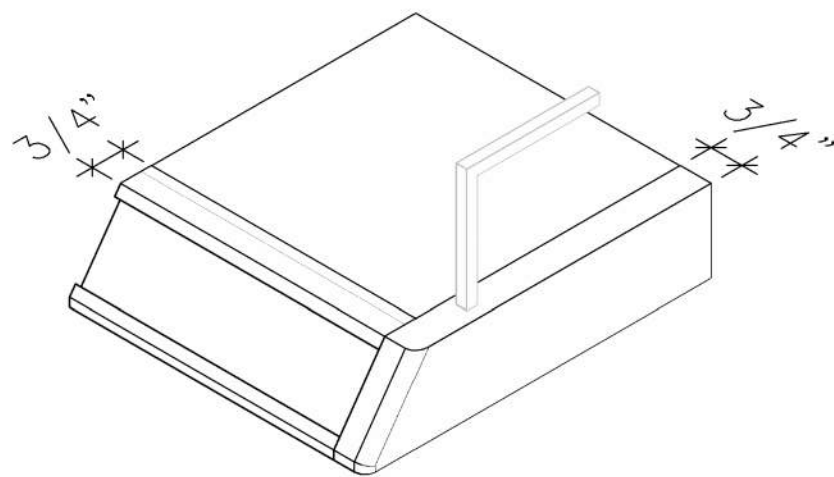
1/4" SQ. METAL RAIL
 FIN. NO. 55 TO BE SUPPLIED +
 INSTALLED BY METAL SHELVING
 SUPPLIER. SHELVING SUPPLIER TO
 PRE-DRILL HOLES FOR METAL
 RAILS LOCATED AT 2 OUTER ENDS
 OF END SHELVES AS SHOWN.
 ENSURE NO SHARP EDGES.

HEAVY DUTY METAL SHELVING ON
 H.D. METAL BRACKETS ALL IN FIN.
 NO. 18A C/W HARDWOOD TICKET
 MOULDING FIN. NO. 30 TO
 ACCOMMODATE STANDARD LCBO 2"
 HIGH PAPER TICKETS

NOTE:
 SOLID WOOD GRADE
 TO BE FAS

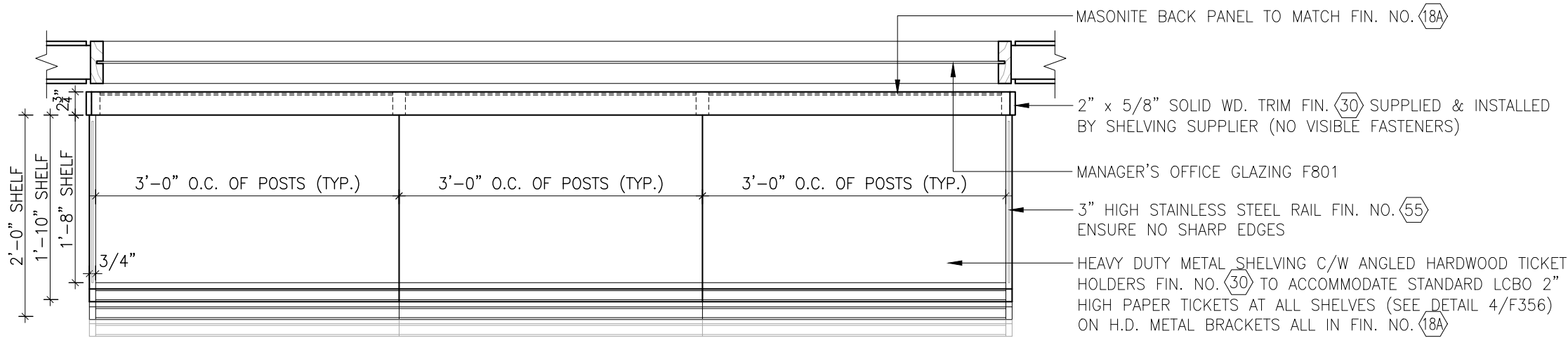


4
 F355 DETAIL
 6" = 1'-0"



5
 F355 ISOMETRIC VIEWS - ANGLED WOOD BLOCK DETAIL
 AT ANGLED TICKET MOULDING

LCBO	300 VINTAGES	REVISION DATE	REV.	2 of 2	ISSUE DATE	STORE TYPE	STORE #
	3-HIGH 48" VINTAGES PERIM. MET. SHELVING UNIT w/ WOOD TICKET MOULD.	2017 NOV	15	F355	2021 APR		



1 PLAN
F356 3/4" = 1'-0"

2
F356

- MASONITE BACK PANEL TO MATCH FIN. NO. (18A)
- 2" x 5/8" SOLID WD. TRIM FIN. (30) SUPPLIED & INSTALLED BY SHELVING SUPPLIER (NO VISIBLE FASTENERS)
- MANAGER'S OFFICE GLAZING F801
- 3" HIGH STAINLESS STEEL RAIL FIN. NO. (55) ENSURE NO SHARP EDGES
- HEAVY DUTY METAL SHELVING C/W ANGLED HARDWOOD TICKET HOLDERS FIN. NO. (30) TO ACCOMMODATE STANDARD LCBO 2" HIGH PAPER TICKETS AT ALL SHELVES (SEE DETAIL 4/F356) ON H.D. METAL BRACKETS ALL IN FIN. NO. (18A)

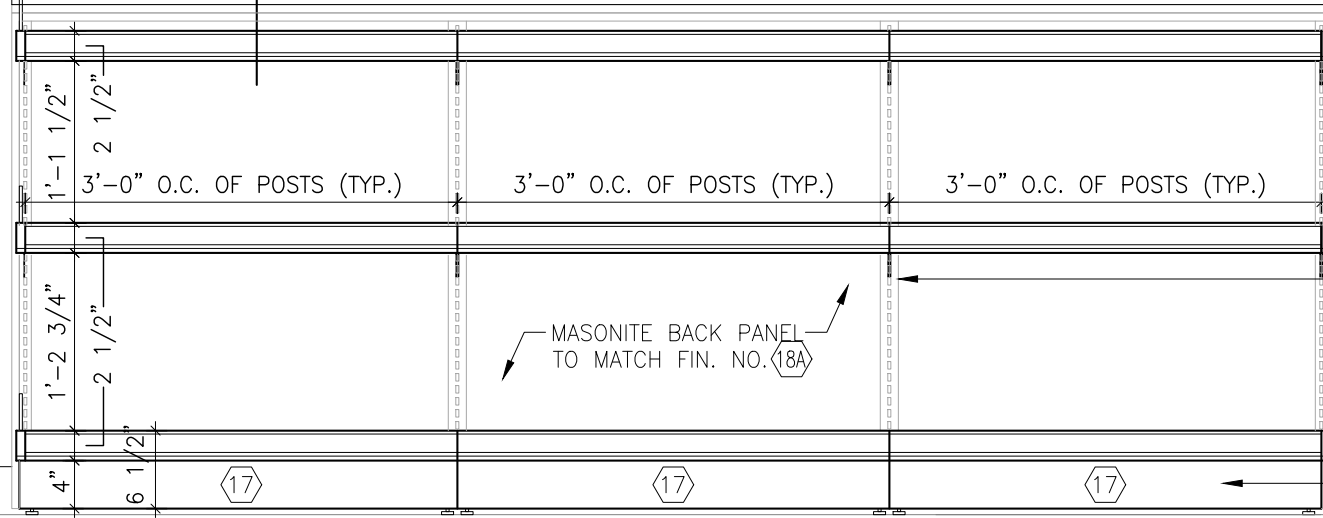
NOTE:
SOLID WOOD GRADE TO BE FAS

NOTE:
ALL WOOD TICKET MOULDINGS TO ACCOMMODATE 2" PAPER TICKET

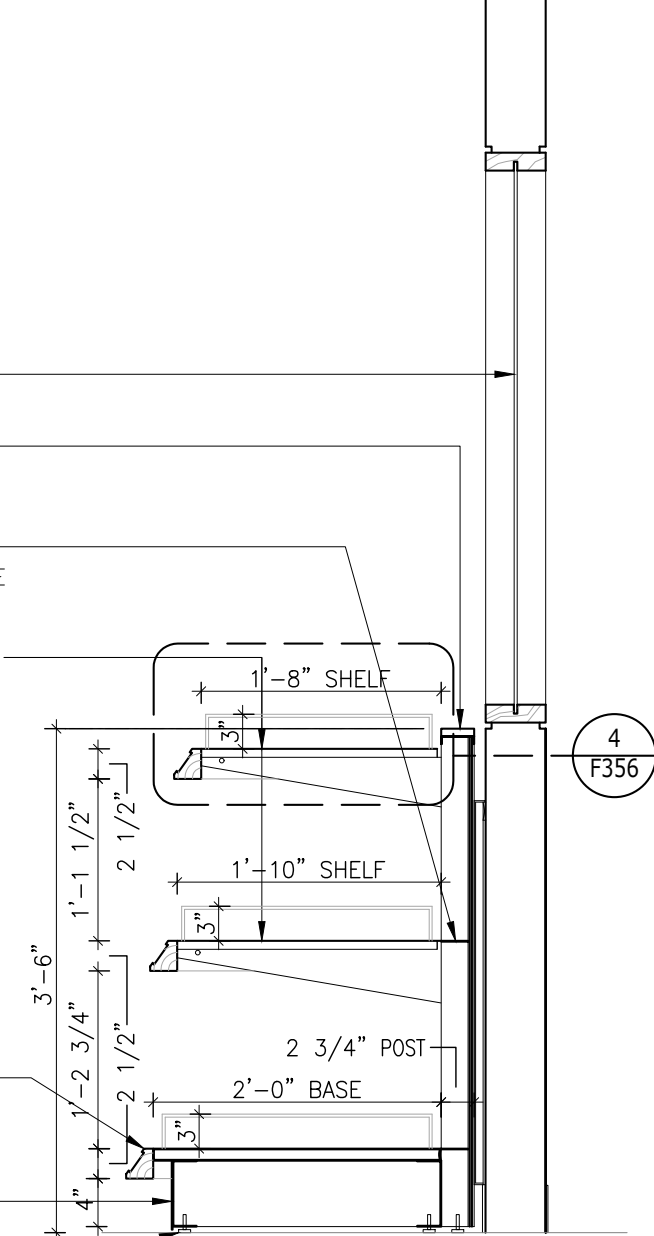


3
F356

- MANAGER'S OFFICE GLAZING F801
- 2" x 5/8" SOLID WD. TRIM FIN. (30) SUPPLIED & INSTALLED BY SHELVING SUPPLIER (NO VISIBLE FASTENERS)
- FRICITION-FIT METAL FILLER STRIP FIN. NO. (18A) BETWEEN POSTS (APPROXIMATELY 2 1/4" DP.) AT ALL SHELVES AND BASE
- HEAVY DUTY METAL SHELVING C/W ANGLED HARDWOOD TICKET HOLDERS FIN. NO. (30) TO ACCOMMODATE STANDARD LCBO 2" HIGH PAPER TICKETS AT ALL SHELVES (SEE DETAIL 4/F356) ON H.D. METAL BRACKETS ALL IN FIN. NO. (18A)
- 2" x 5/8" SOLID WD. TRIM FIN. (30) SUPPLIED & INSTALLED BY SHELVING SUPPLIER (NO VISIBLE FASTENERS)
- 2 3/4" x 1" x 3'-5" HIGH HEAVY DUTY SLOTTED METAL END POST (SLOTS AT 1" O.C. TYP.) FIN. (18A)
- 2 3/4" x 1 1/2" x 3'-5" HIGH HEAVY DUTY SLOTTED METAL POST (SLOTS AT 1" O.C. TYP.) FIN. (18A)
- ANGLED HARDWOOD TICKET HOLDER FIN. NO. (30) BY METAL SHELVING SUPPLIER TO ACCOMMODATE STANDARD LCBO 2" PAPER TICKETS AT BASE (SEE DETAIL 4/F356)
- RECESSED METAL BASE FIN. (17)
- HEAVY DUTY LEVELLERS



2 ELEVATION
F356 3/4" = 1'-0"



4
F356

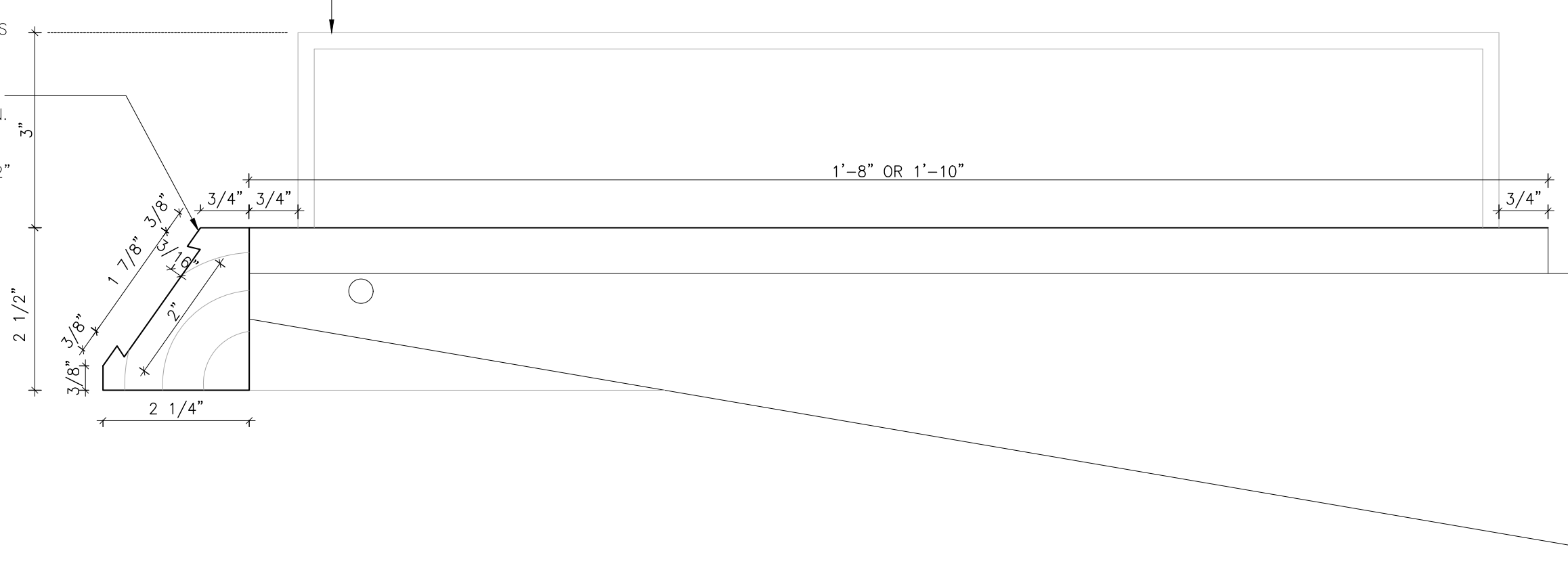
3 SECTION
F356 3/4" = 1'-0"

LCBO	300 VINTAGES	REVISION DATE	REV.	1 of 2	ISSUE DATE	STORE TYPE	STORE #
	3-HIGH 36" VINTAGES PERIM. MET. SHELVING UNIT w/ WOOD TICKET MOULD	2017 NOV	15	F356	2021 APR		

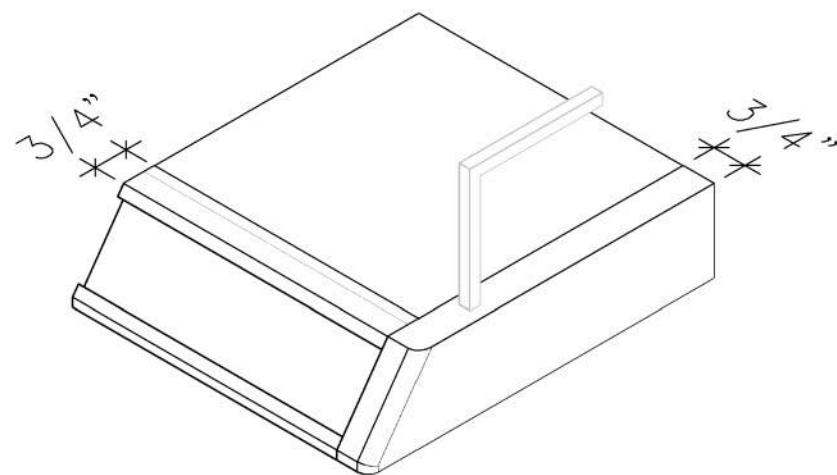
1/4" SQ. METAL RAIL
 FIN. NO. (55) TO BE SUPPLIED +
 INSTALLED BY METAL SHELVING
 SUPPLIER. SHELVING SUPPLIER TO
 PRE-DRILL HOLES FOR METAL
 RAILS LOCATED AT 2 OUTER ENDS
 OF END SHELVES AS SHOWN.
 ENSURE NO SHARP EDGES.

HEAVY DUTY METAL SHELVING ON
 H.D. METAL BRACKETS ALL IN FIN.
 NO. (18A) C/W HARDWOOD TICKET
 MOULDING FIN. NO. (30) TO
 ACCOMMODATE STANDARD LCBO 2"
 HIGH PAPER TICKETS

NOTE:
 SOLID WOOD GRADE
 TO BE FAS

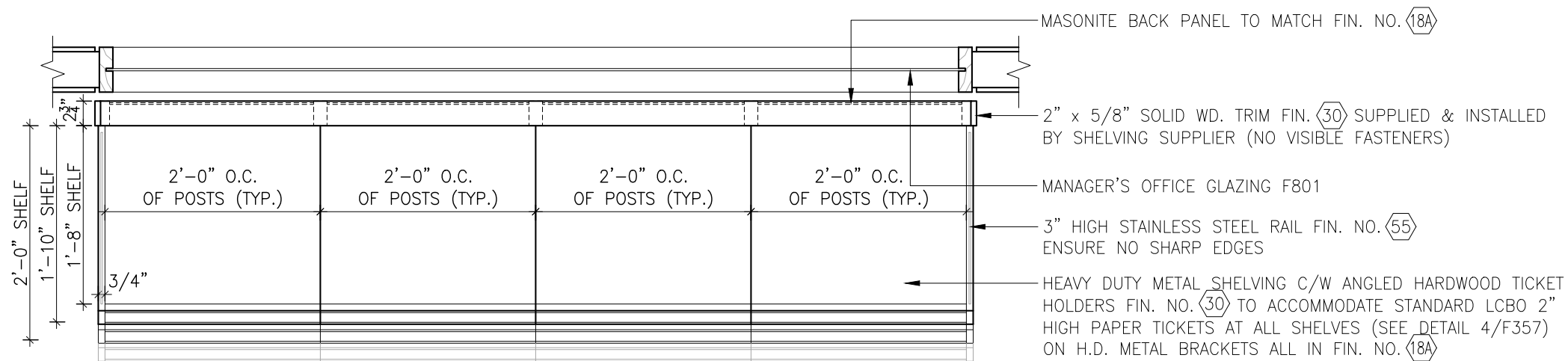


4 DETAIL
 F356 6" = 1'-0"



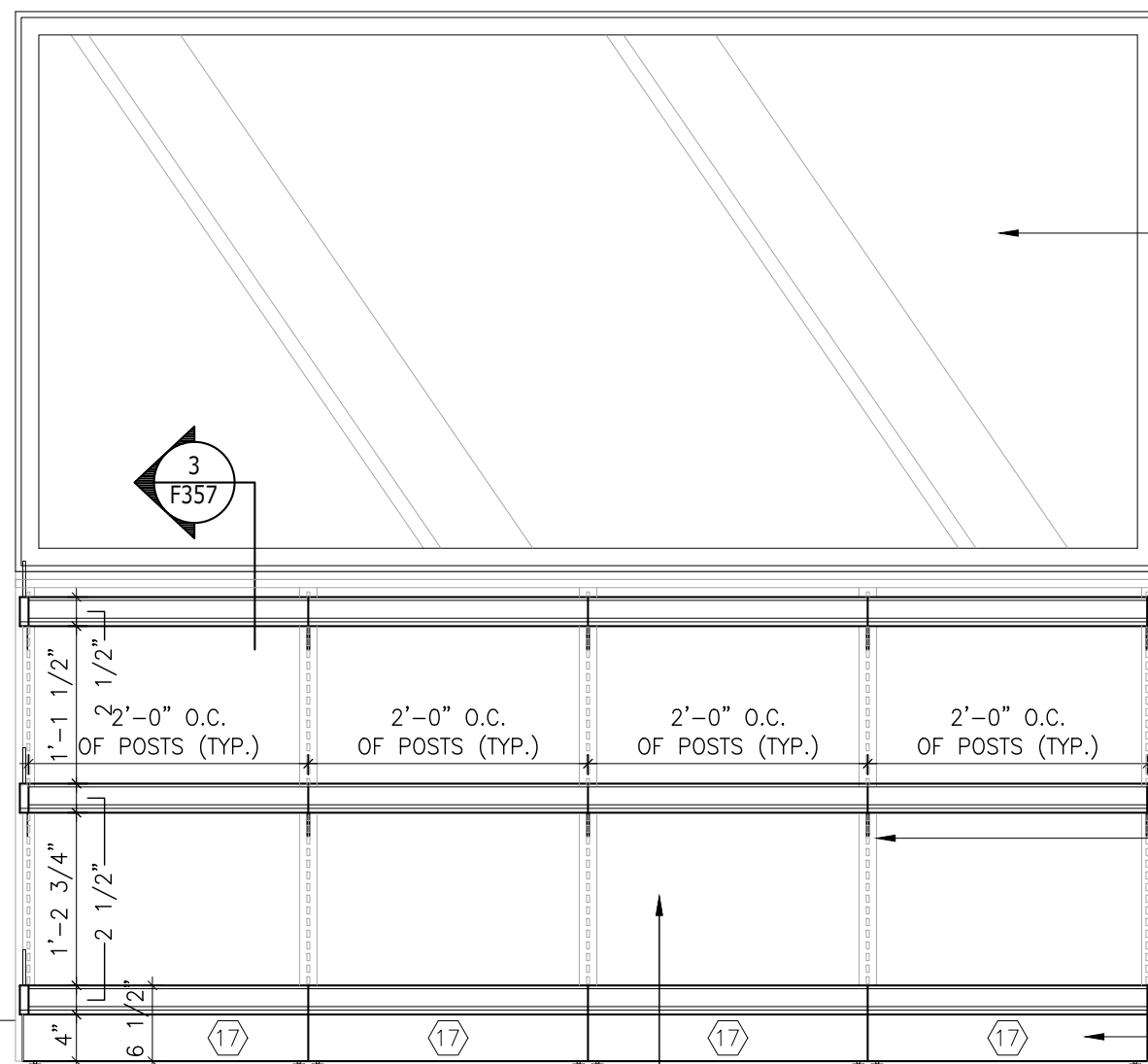
5 ISOMETRIC VIEWS - ANGLED WOOD BLOCK DETAIL
 F356 AT ANGLED TICKET MOULDING

LCBO	300 VINTAGES	REVISION DATE	REV.	2 of 2	ISSUE DATE	STORE TYPE	STORE #
	3-HIGH 36" VINTAGES PERIM. MET. SHELVING UNIT w/ WOOD TICKET MOULD.	2017 NOV	15	F356	2021 APR		



1
F357
PLAN
3/4" = 1'-0"

2
F357



2
F357
ELEVATION
3/4" = 1'-0"

MASONITE BACK PANEL TO MATCH FIN. NO. (18A)

MASONITE BACK PANEL TO MATCH FIN. NO. (18A)

2" x 5/8" SOLID WD. TRIM FIN. (30) SUPPLIED & INSTALLED BY SHELVING SUPPLIER (NO VISIBLE FASTENERS)

MANAGER'S OFFICE GLAZING F801

3" HIGH STAINLESS STEEL RAIL FIN. NO. (55) ENSURE NO SHARP EDGES

HEAVY DUTY METAL SHELVING C/W ANGLED HARDWOOD TICKET HOLDERS FIN. NO. (30) TO ACCOMMODATE STANDARD LCBO 2" HIGH PAPER TICKETS AT ALL SHELVES (SEE DETAIL 4/F357) ON H.D. METAL BRACKETS ALL IN FIN. NO. (18A)

NOTE:
SOLID WOOD GRADE TO BE FAS

NOTE:
ALL WOOD TICKET MOULDINGS TO ACCOMMODATE 2" PAPER TICKET

MANAGER'S OFFICE GLAZING F801

2" x 5/8" SOLID WD. TRIM FIN. (30) SUPPLIED & INSTALLED BY SHELVING SUPPLIER (NO VISIBLE FASTENERS)

FRICITION-FIT METAL FILLER STRIP FIN. NO. (18A) BETWEEN POSTS (APPROXIMATELY 2 1/4" DP.) AT ALL SHELVES AND BASE

HEAVY DUTY METAL SHELVING C/W ANGLED HARDWOOD TICKET HOLDERS FIN. NO. (30) TO ACCOMMODATE STANDARD LCBO 2" HIGH PAPER TICKETS AT ALL SHELVES (SEE DETAIL 4/F357) ON H.D. METAL BRACKETS ALL IN FIN. NO. (18A)

2" x 5/8" SOLID WD. TRIM FIN. (30) SUPPLIED & INSTALLED BY SHELVING SUPPLIER (NO VISIBLE FASTENERS)

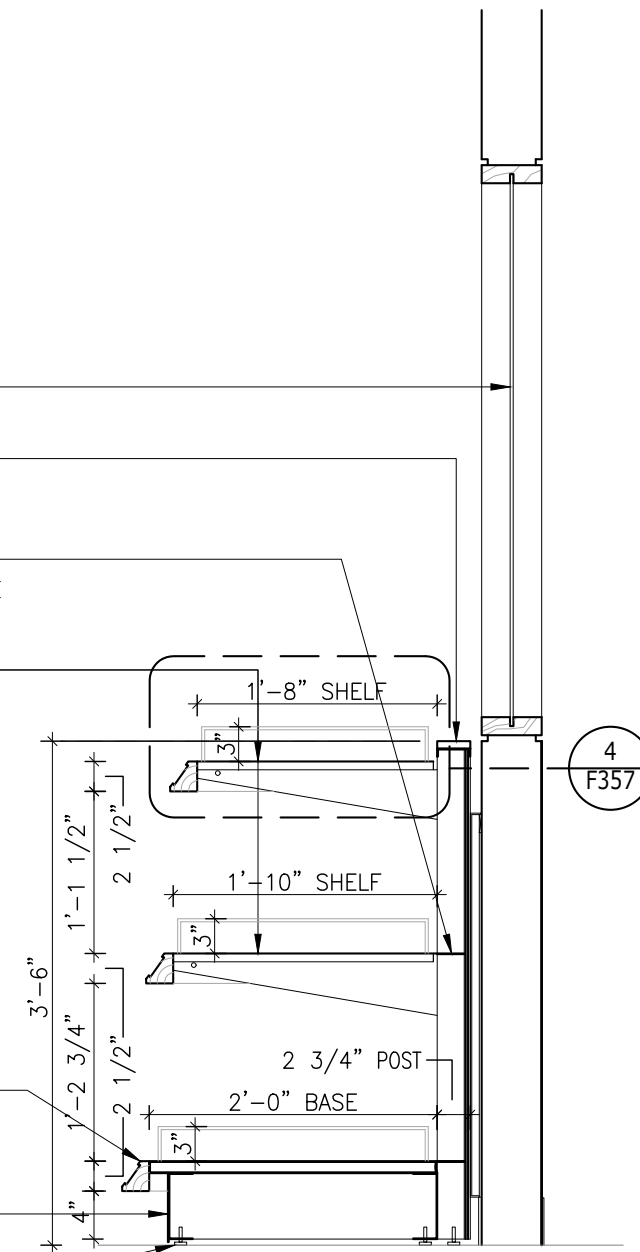
2 3/4" x 1" x 3'-5" HIGH HEAVY DUTY SLOTTED METAL END POST (SLOTS AT 1" O.C. TYP.) FIN. (18A)

2 3/4" x 1 1/2" x 3'-5" HIGH HEAVY DUTY SLOTTED METAL POST (SLOTS AT 1" O.C. TYP.) FIN. (18A)

ANGLED HARDWOOD TICKET HOLDER FIN. NO. (30) BY METAL SHELVING SUPPLIER TO ACCOMMODATE STANDARD LCBO 2" PAPER TICKETS AT BASE (SEE DETAIL 4/F357)

RECESSED METAL BASE FIN. (17)

HEAVY DUTY LEVELLERS



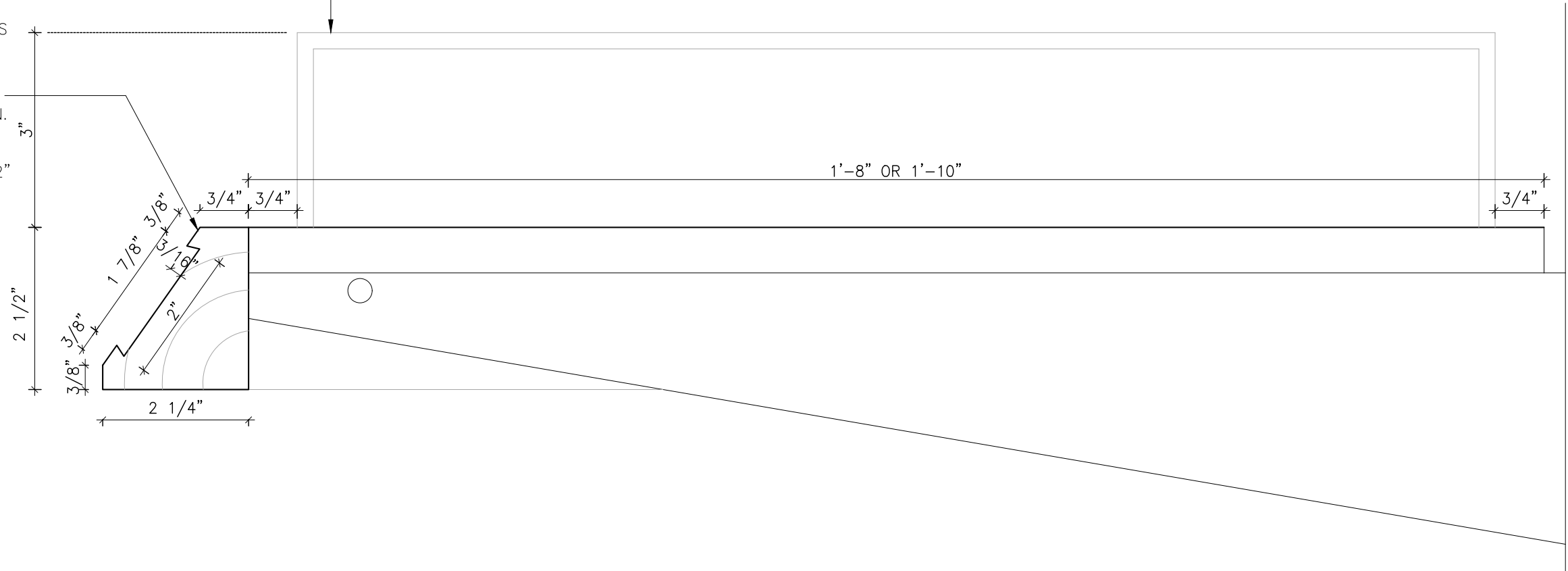
3
F357
SECTION
3/4" = 1'-0"

LCBO	300 VINTAGES	REVISION DATE	REV.	1 of 2	ISSUE DATE	STORE TYPE	STORE #
	3-HIGH 24" VINTAGES PERIM. MET. SHELVING UNIT w/ WOOD TICKET MOULD	2017 NOV	15	F357	2021 APR		

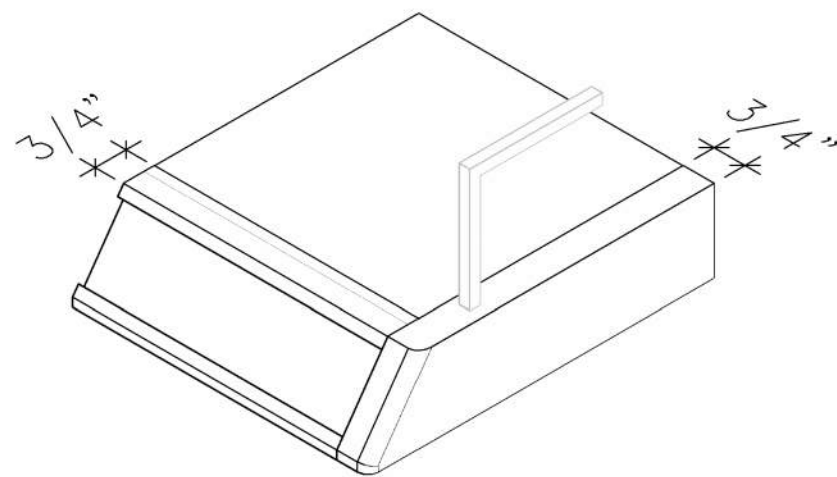
1/4" SQ. METAL RAIL
 FIN. NO. (55) TO BE SUPPLIED +
 INSTALLED BY METAL SHELVING
 SUPPLIER. SHELVING SUPPLIER TO
 PRE-DRILL HOLES FOR METAL
 RAILS LOCATED AT 2 OUTER ENDS
 OF END SHELVES AS SHOWN.
 ENSURE NO SHARP EDGES.

HEAVY DUTY METAL SHELVING ON
 H.D. METAL BRACKETS ALL IN FIN.
 NO. (18A) C/W HARDWOOD TICKET
 MOULDING FIN. NO. (30) TO
 ACCOMMODATE STANDARD LCBO 2"
 HIGH PAPER TICKETS

NOTE:
 SOLID WOOD GRADE
 TO BE FAS

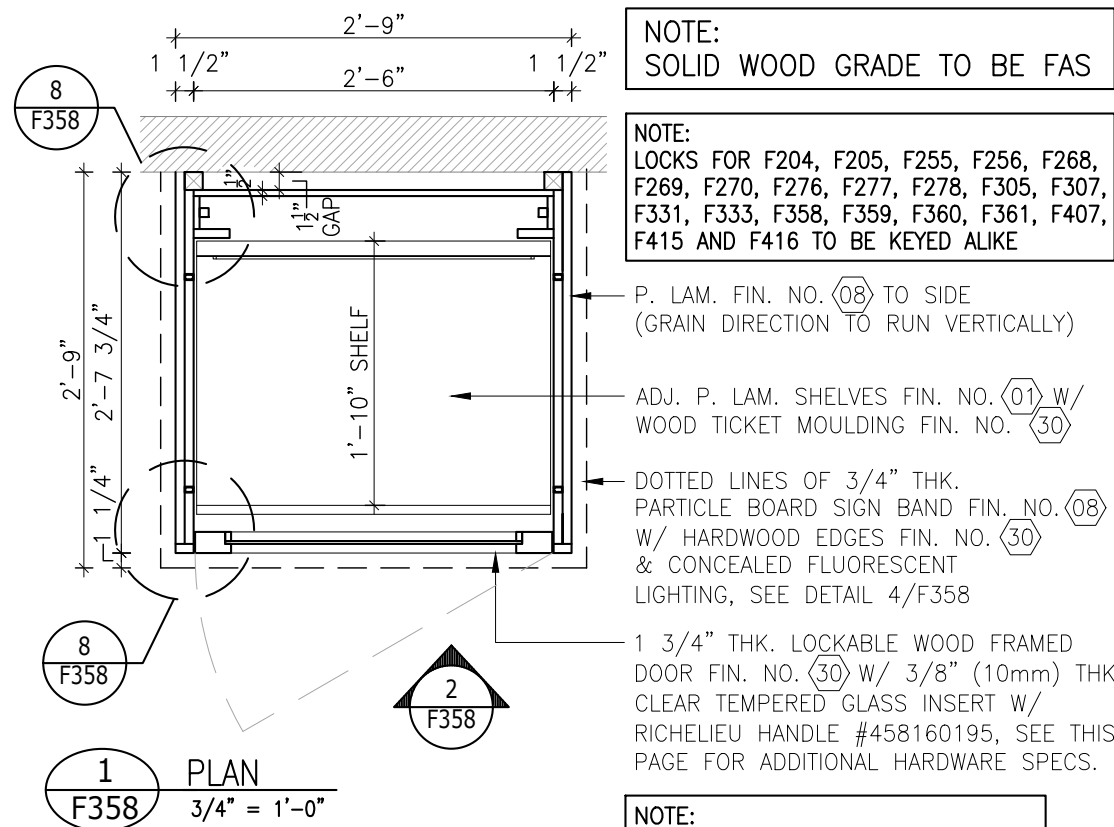


4 DETAIL
 F357 6" = 1'-0"



5 ISOMETRIC VIEWS - ANGLED WOOD BLOCK DETAIL
 F357 AT ANGLED TICKET MOULDING

LCBO	300 VINTAGES	REVISION DATE	REV.	2 of 2	ISSUE DATE	STORE TYPE	STORE #
	3-HIGH 24" VINTAGES PERIM. MET. SHELVING UNIT w/ WOOD TICKET MOULD.	2017 NOV	15	F357	2021 APR		



NOTE:
SOLID WOOD GRADE TO BE FAS

NOTE:
LOCKS FOR F204, F205, F255, F256, F268, F269, F270, F276, F277, F278, F305, F307, F331, F333, F358, F359, F360, F361, F407, F415 AND F416 TO BE KEYED ALIKE

P. LAM. FIN. NO. (08) TO SIDE (GRAIN DIRECTION TO RUN VERTICALLY)

ADJ. P. LAM. SHELVES FIN. NO. (01) W/ WOOD TICKET MOULDING FIN. NO. (30)

DOTTED LINES OF 3/4" THK. PARTICLE BOARD SIGN BAND FIN. NO. (08) W/ HARDWOOD EDGES FIN. NO. (30) & CONCEALED FLUORESCENT LIGHTING, SEE DETAIL 4/F358

1 3/4" THK. LOCKABLE WOOD FRAMED DOOR FIN. NO. (30) W/ 3/8" (10mm) THK. CLEAR TEMPERED GLASS INSERT W/ RICHELIEU HANDLE #458160195, SEE THIS PAGE FOR ADDITIONAL HARDWARE SPECS.

NOTE:
ALL WOOD TICKET MOULDINGS TO ACCOMMODATE 2" PAPER TICKET

NOTE:
MILLWORK CONTRACTOR TO ENSURE THAT FIXTURE IS CONSTRUCTED SO THAT LIGHT FIXTURES CAN BE SERVICED AND/OR REMOVED WITHOUT DISMANTLING MILLWORK

GENERAL NOTES:
ALL VERTICAL SURFACES ON THE INTERIOR (GABLES, BACK PANELS, AND DIVIDERS) ARE TO BE CONSTRUCTED OF PREFINISHED PARTICLE BOARD PANELS W/ MELAMINE FIN. NO. (01) BOTH SIDES. MILLWORK CONTRACTOR TO PROVIDE HARDWOOD EDGE IN FIN. NO. (30) TO ALL EXPOSED EDGES.

NOTE:
MILLWORK CONTRACTOR TO PROVIDE (1) COAT OF URETHANE SEALER AND (2) TOP COATS OF SATIN LACQUER TO FIN. NO. (30)

MILLWORK CONTRACTOR TO ENSURE THAT ALL SHELVES ARE IN EXACT ALIGNMENT WITH ADJACENT F301 & F302 UNITS.

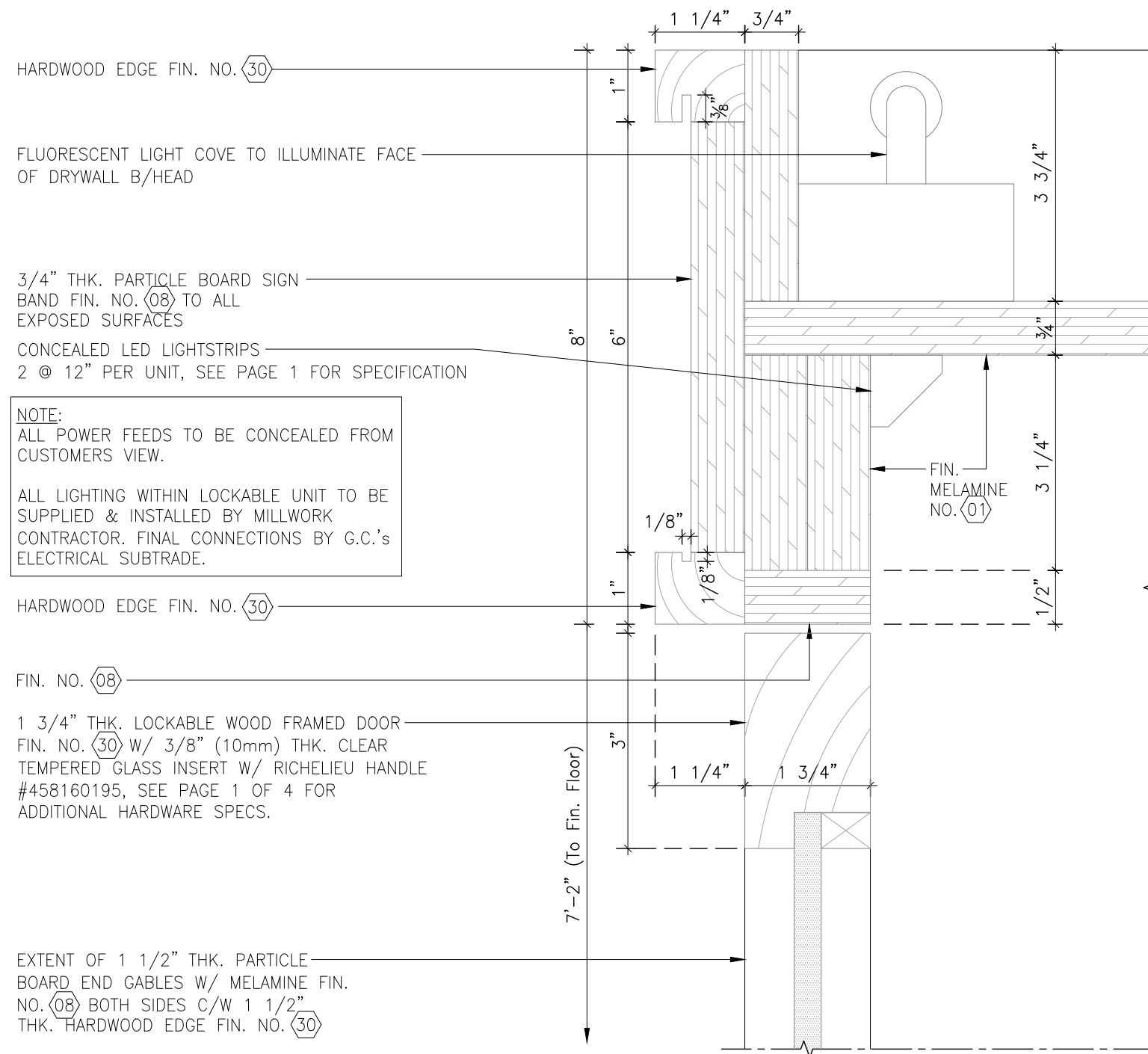
HARDWARE SPECIFICATIONS:
ADAM RITE DEADLOCK #ARMS1850S410628
MORTISE CYLINDER #LSM1002SCC26D
1" C/W (2) KEYS CLEAR ANODIZED ALUMINUM FINISH
STRIKE FOR HOOK BOLT #ARMS4001031628
SPACER RING #IL861F2810 - 1/4" THK. CLEAR ANODIZED ALUMINUM
NOTE: LOCK CYLINDER TO BE SUPPLIED & INSTALLED BY LCBO, FITUP BY G.C.

3" .060 GA 8FT LONG CONTINUOUS PIANO HINGE BY RICHELIEU
MODEL: #76096180 (BRUSHED NICKEL FINISH)

DOOR PULL BY RICHELIEU
MODEL: #458160195 (BRUSHED NICKEL FINISH)

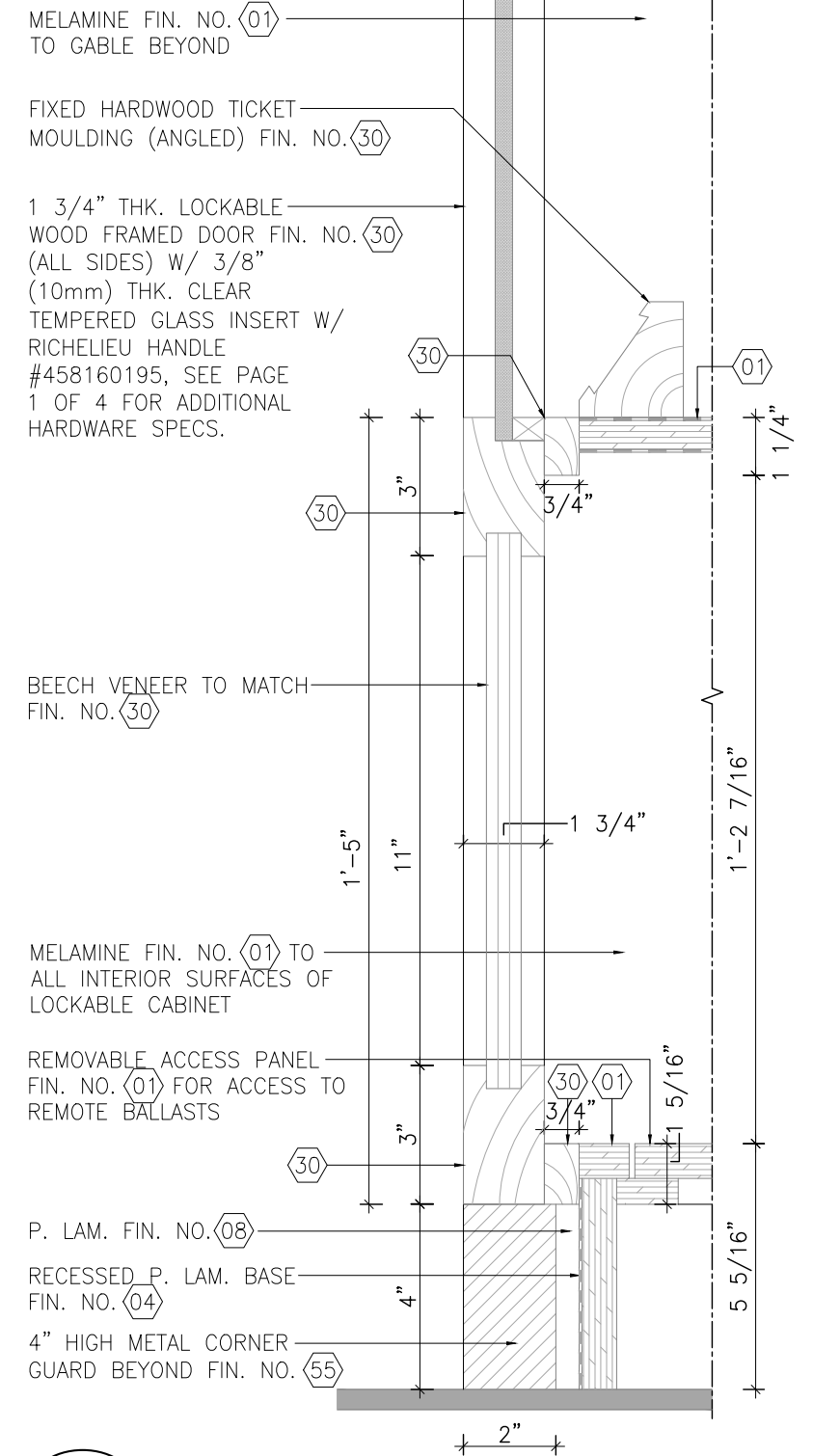
HEAVY DUTY RECESSED SLOTTED STANDARDS W/ 5/8" SLOTS @ 1" O.C. (KEMBER #5000 SERIES) AND KEMBER #5037 STUB BRACKETS BOTH TO MATCH FIN. NO. (55)

LCBO	300 VINTAGES	REVISION DATE	REV.	1 of 4	ISSUE DATE	STORE TYPE	STORE #
	2-MODULE GENERAL LIST PERIMETER LOCKABLE DISPLAY (7'-10" H.)	2017 NOV	15	F358	2021 APR		



4 SECTION-DETAIL
F358 6" = 1'-0"

NOTE:
ALL WOOD TICKET MOULDINGS TO ACCOMMODATE 2" PAPER TICKET

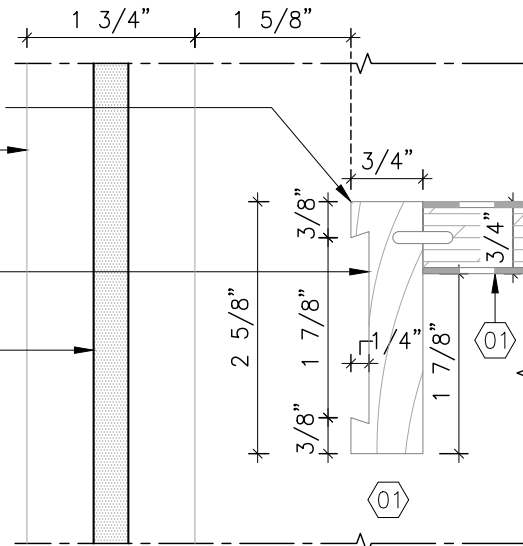


5 DETAIL
F358 3" = 1'-0"

LCBO	300 VINTAGES	REVISION DATE	REV.	3 of 4	ISSUE DATE	STORE TYPE	STORE #
	2-MODULE GENERAL LIST PERIMETER LOCKABLE DISPLAY (7'-10" H.)	2017 NOV	15	F358	2021 APR		

NOTE:
ALL WOOD TICKET MOULDINGS TO
ACCOMMODATE 2" PAPER TICKET

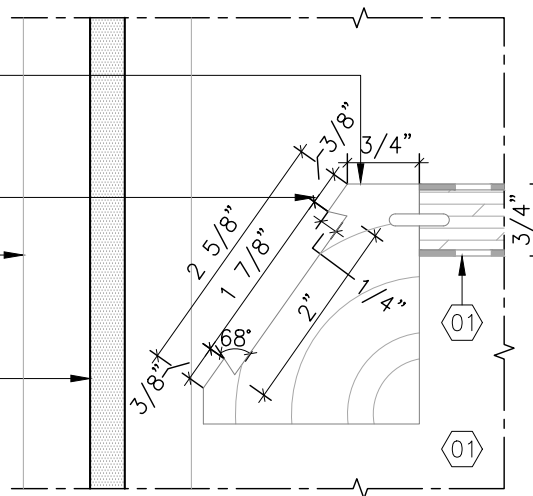
3/4" THK. PARTICLE BRD. SHELF W/
MELAMINE FIN. NO. (01) TO BOTH SIDES
EXTENT OF PARTICLE BOARD
GABLE BEYOND
FIN. NO. (08) WITH 1" THICK
HARDWOOD TRIM FIN. NO. (30)
HARDWOOD TICKET MOULDING
(STRAIGHT) FIN. NO. (30)
1 3/4" THK. LOCKABLE WOOD
FRAMED DOOR FIN. NO. (30) W/
3/8" (10mm) THK. CLEAR
TEMPERED GLASS INSERT W/
RICHELIEU HANDLE #458160195,
SEE PAGE 1 OF 4 FOR
ADDITIONAL HARDWARE SPECS.



6 DETAIL
F358 6" = 1'-0"

NOTE:
ALL WOOD TICKET MOULDINGS TO
ACCOMMODATE 2" PAPER TICKET

3/4" THK. PARTICLE BRD. SHELF W/
MELAMINE FIN. NO. (01) TO BOTH SIDES
HARDWOOD TICKET MOULDING
(ANGLED) FIN. NO. (30)
EXTENT OF PARTICLE BOARD
GABLE BEYOND FIN. NO. (08) W/
1" THICK HARDWOOD TRIM FIN. NO. (30)
1 3/4" THK. LOCKABLE WOOD
FRAMED DOOR FIN. NO. (30) W/
3/8" (10mm) THK. CLEAR
TEMPERED GLASS INSERT W/
RICHELIEU HANDLE #458160195,
SEE PAGE 1 OF 4 FOR
ADDITIONAL HARDWARE SPECS.

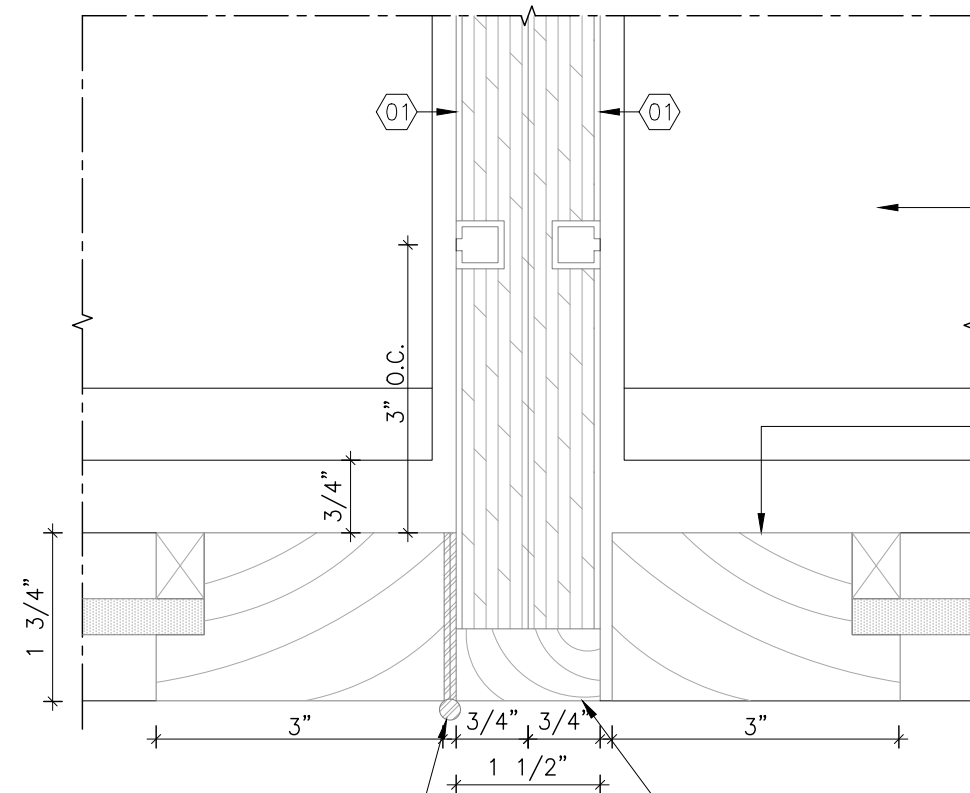


7 DETAIL
F358 6" = 1'-0"

L.E.D. LIGHTSTRIPS:
PROVIDE 36 @ 12" LENGTH AS
INDICATED WITHIN MILLWORK.

LED LIGHTSTRIPS BY TECHNILITE:
MODEL#: L3-32-GI-SEB
LENGTH=12"
OUTPUT=2.4 WATTS / 97 LUMENS PER FT.
COLOUR TEMP. 3200°K
DURATION: 50,000 HRS

*ALL L.E.D. LIGHTING AND ASSOCIATED
COMPONENTS TO BE SUPPLIED &
INSTALLED BY MILLWORK CONTRACTOR,
FINAL CONNECTION BY G.C.'S
ELECTRICAL SUBTRADE. ENSURE ALL
WIRING/DRIVERS ARE CONCEALED
FROM CUSTOMER'S VIEW.

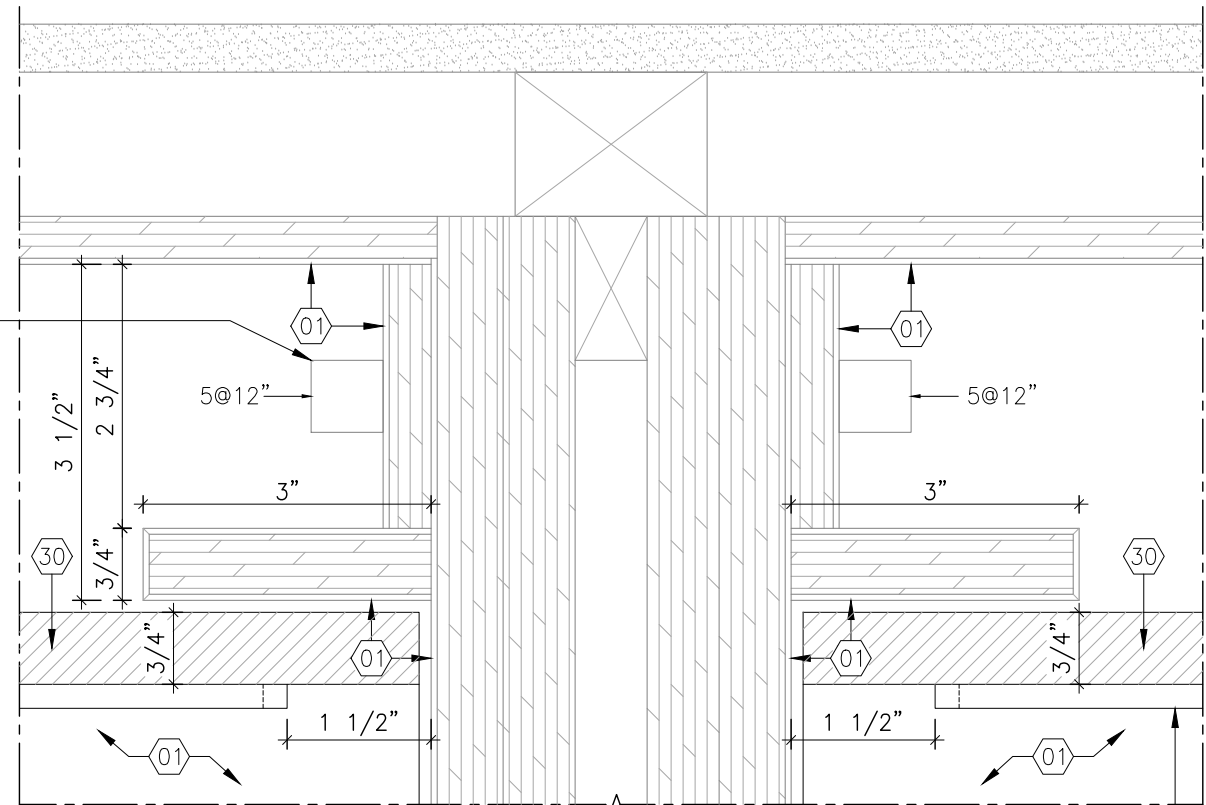


PIANO HINGE, REFER TO PAGE 1 OF 4
FOR HARDWARE SPECIFICATIONS

8 DETAIL
F358 6" = 1'-0"

NOTE:
SOLID WOOD GRADE
TO BE FAS

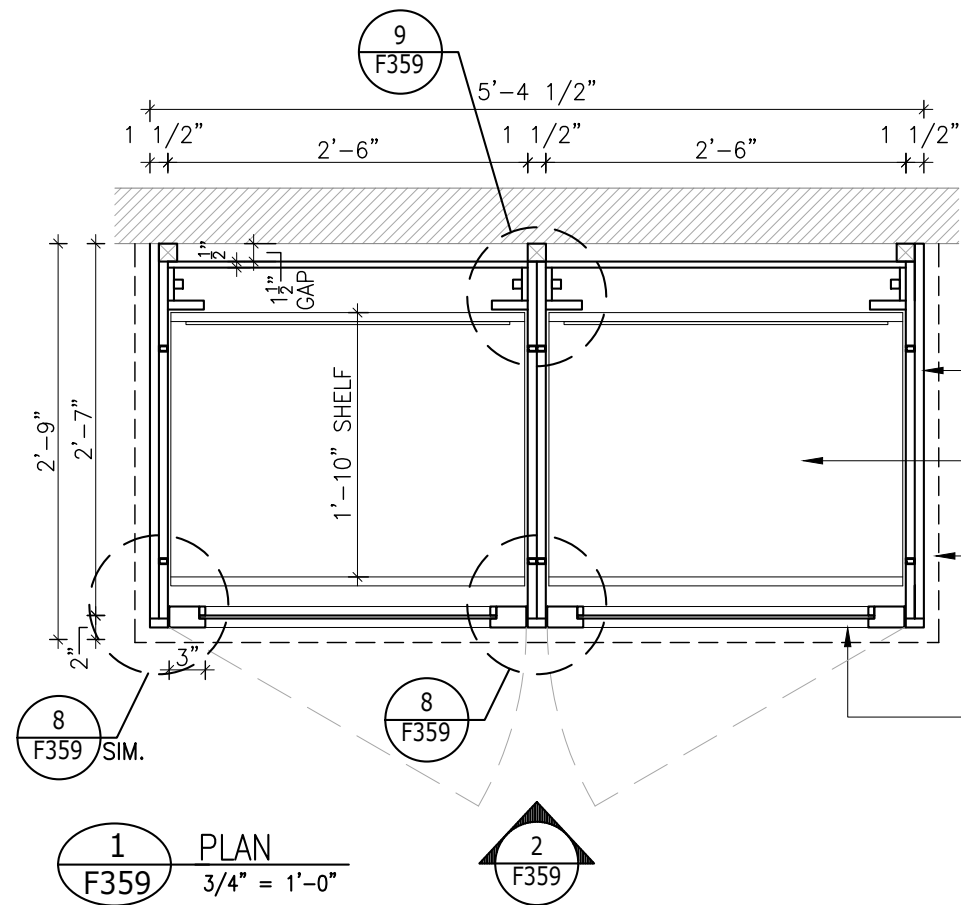
ADJUSTABLE SHELF W/ HARDWOOD
TICKET MOULDING FIN. NO. (30) &
P. LAM. FIN. NO. (01)
L.E.D. STRIPLIGHTS, SEE SPEC.
THIS PAGE
1 3/4" THK. LOCKABLE WOOD
FRAMED DOOR FIN. NO. (30) W/
3/8" (10mm) THK. CLEAR
TEMPERED GLASS INSERT W/
RICHELIEU HANDLE #458160195,
SEE PAGE 1 OF 4 FOR
ADDITIONAL HARDWARE SPECS.



1/4" SQ. METAL RAIL FIN. NO. (55)

9 DETAIL
F358 6" = 1'-0"

LCBO	300 VINTAGES	REVISION DATE	REV.	4 of 4	ISSUE DATE	STORE TYPE	STORE #
	2-MODULE GENERAL LIST PERIMETER LOCKABLE DISPLAY (7'-10" H.)	2017 NOV	15	F358	2021 APR		



NOTE:
SOLID WOOD GRADE TO BE FAS

NOTE:
LOCKS FOR F204, F205, F255, F256, F268, F269, F270, F276, F277, F278, F305, F307, F331, F333, F358, F359, F360, F361, F407, F415 AND F416 TO BE KEYED ALIKE

P. LAM. FIN. NO. (08) TO SIDE
(GRAIN DIRECTION TO RUN VERTICALLY)

ADJ. P. LAM. SHELVES FIN. NO. (01) W/
WOOD TICKET MOULDING FIN. NO. (30)

DOTTED LINES OF 3/4" THK.
PARTICLE BOARD SIGN BAND FIN. NO. (08)
W/ HARDWOOD EDGES FIN. NO. (30)
& CONCEALED FLUORESCENT
LIGHTING, SEE DETAIL 4/F359

1 3/4" THK. LOCKABLE WOOD FRAMED
DOOR FIN. NO. (30) W/ 3/8" (10mm) THK.
CLEAR TEMPERED GLASS INSERT W/
RICHELIEU HANDLE #458160195, SEE THIS
PAGE FOR ADDITIONAL HARDWARE SPECS.

NOTE:
ALL WOOD TICKET MOULDINGS TO
ACCOMMODATE 2" PAPER TICKET

NOTE:
MILLWORK CONTRACTOR TO ENSURE
THAT FIXTURE IS CONSTRUCTED SO
THAT LIGHT FIXTURES CAN BE
SERVICED AND/OR REMOVED
WITHOUT DISMANTLING MILLWORK

GENERAL NOTES:
ALL VERTICAL SURFACES ON THE
INTERIOR (GABLES, BACK PANELS,
AND DIVIDERS) ARE TO BE
CONSTRUCTED OF PREFINISHED
PARTICLE BOARD PANELS W/
MELAMINE FIN. NO. (01) BOTH SIDES.
MILLWORK CONTRACTOR TO PROVIDE
HARDWOOD EDGE IN FIN. NO. (30)
TO ALL EXPOSED EDGES.

NOTE:
MILLWORK CONTRACTOR TO PROVIDE
(1) COAT OF URETHANE SEALER
AND (2) TOP COATS OF SATIN
LACQUER TO FIN. NO. (30)

MILLWORK CONTRACTOR TO ENSURE
THAT ALL SHELVES ARE IN EXACT
ALIGNMENT WITH ADJACENT F301 &
F302 UNITS.

HARDWARE SPECIFICATIONS:
ADAM RITE DEADLOCK #ARMS1850S410628
MORTISE CYLINDER #LSM1002SCC26D
1" C/W (2) KEYS CLEAR ANODIZED ALUMINUM FINISH
STRIKE FOR HOOK BOLT #ARMS4001031628
SPACER RING #IL861F2810 - 1/4" THK.
CLEAR ANODIZED ALUMINUM
NOTE: LOCK CYLINDER TO BE SUPPLIED & INSTALLED BY LCBO,
FITUP BY G.C.

3" .060 GA 8FT LONG CONTINUOUS
PIANO HINGE BY RICHELIEU
MODEL: #76096180 (BRUSHED NICKEL FINISH)

DOOR PULL BY RICHELIEU
MODEL: #458160195 (BRUSHED NICKEL FINISH)

HEAVY DUTY RECESSED SLOTTED
STANDARDS W/ 5/8" SLOTS @ 1" O.C.
(KEMBER #5000 SERIES) AND KEMBER #5037
STUB BRACKETS BOTH TO MATCH FIN. NO. (55)

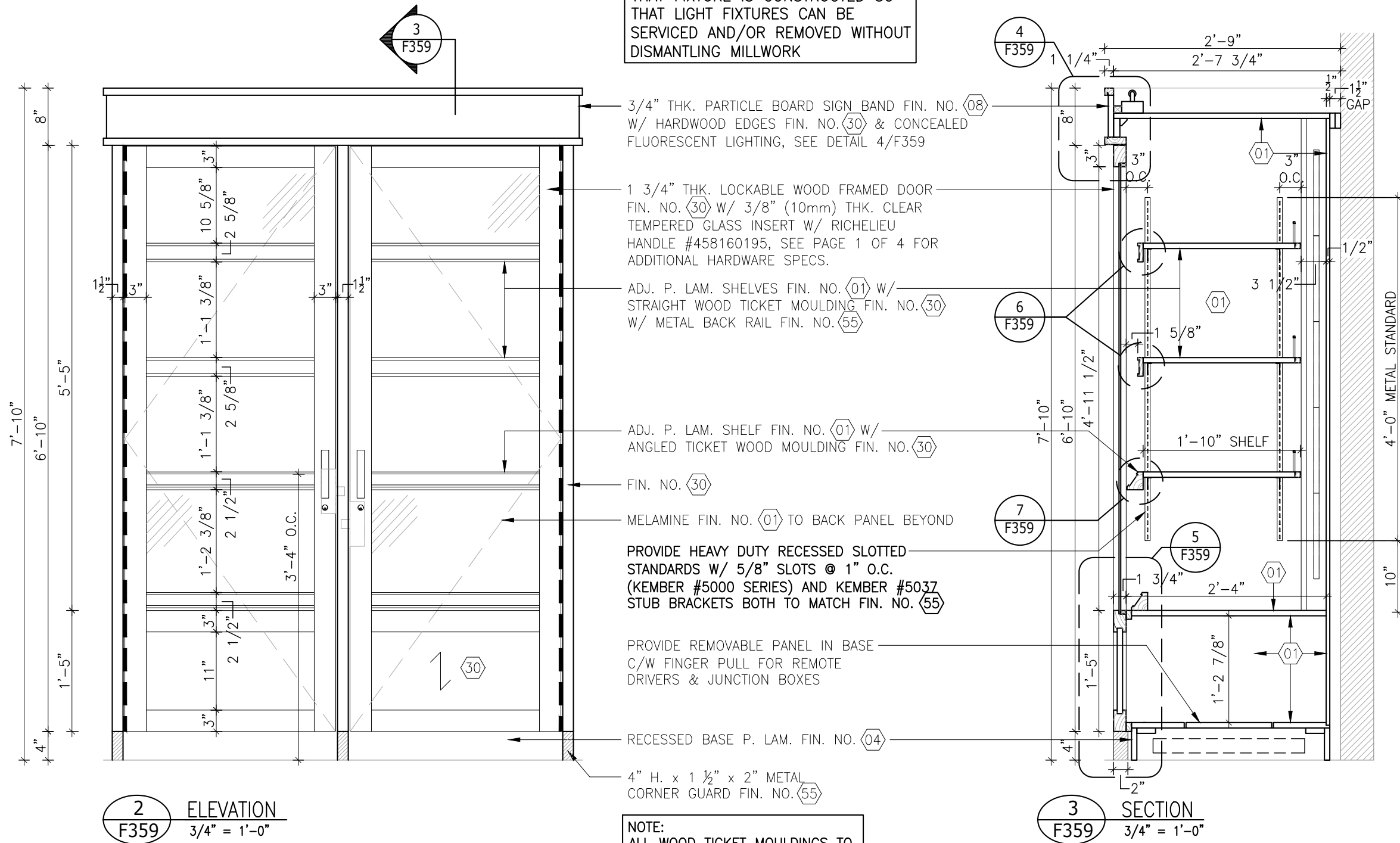
LCBO

300 VINTAGES
2-MODULE GENERAL LIST PERIMETER LOCKABLE DISPLAY (7'-10" H.)

REVISION DATE	REV.	1 of 4	ISSUE DATE	STORE TYPE	STORE #
2017 NOV	15	F359	2021 APR		

NOTE:
SOLID WOOD GRADE TO BE FAS

NOTE:
MILLWORK CONTRACTOR TO ENSURE
THAT FIXTURE IS CONSTRUCTED SO
THAT LIGHT FIXTURES CAN BE
SERVICED AND/OR REMOVED WITHOUT
DISMANTLING MILLWORK



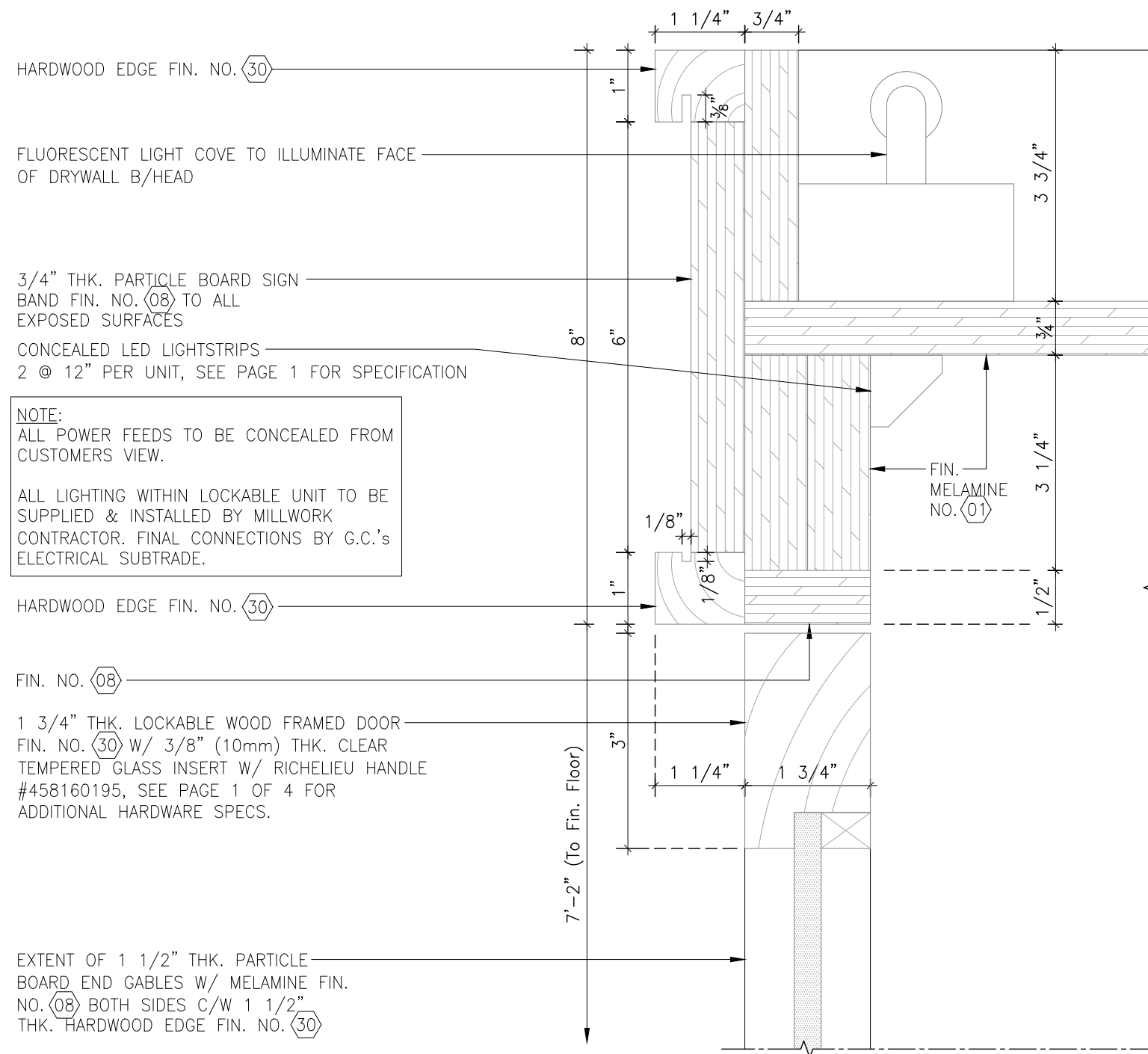
2 ELEVATION
F359 3/4" = 1'-0"

3 SECTION
F359 3/4" = 1'-0"

NOTE:
ALL WOOD TICKET MOULDINGS TO
ACCOMMODATE 2" PAPER TICKET

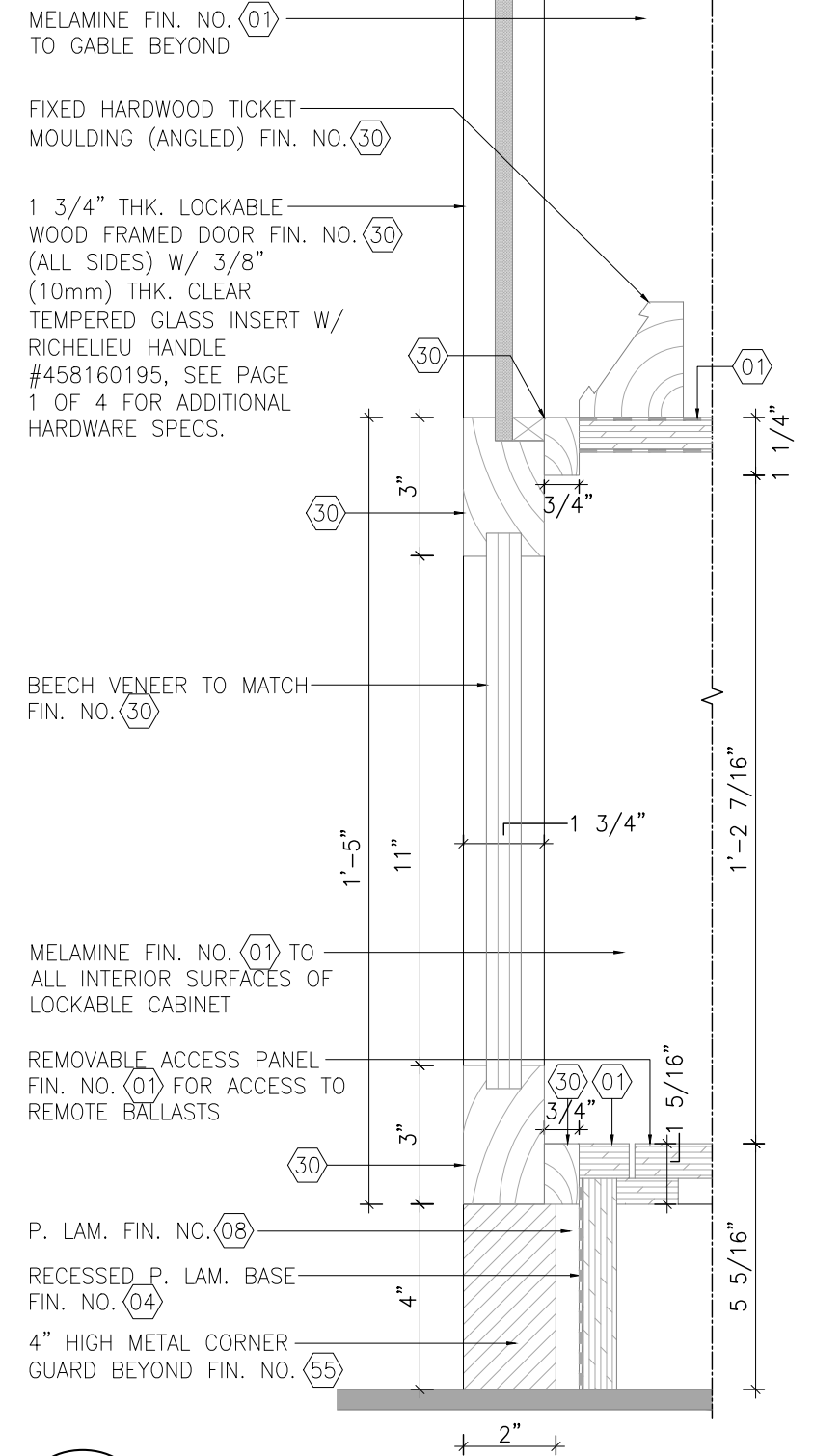
NOTE:
EACH DOOR TO HAVE INDIVIDUAL
LOCKING MECHANISM

LCBO	300 VINTAGES	REVISION DATE	REV.	2 of 4	ISSUE DATE	STORE TYPE	STORE #
	2-MODULE GENERAL LIST PERIMETER LOCKABLE DISPLAY (7'-10" H.)	2017 NOV	15	F359	2021 APR		



4 SECTION-DETAIL
F359 6" = 1'-0"

NOTE:
ALL WOOD TICKET MOULDINGS TO ACCOMMODATE 2" PAPER TICKET

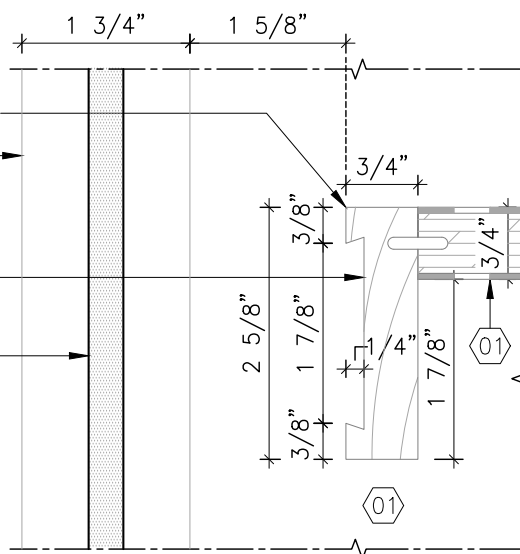


5 DETAIL
F359 3" = 1'-0"

LCBO	300 VINTAGES	REVISION DATE	REV.	3 of 4	ISSUE DATE	STORE TYPE	STORE #
	2-MODULE GENERAL LIST PERIMETER LOCKABLE DISPLAY (7'-10" H.)	2017 NOV	15	F359	2021 APR		

NOTE:
ALL WOOD TICKET MOULDINGS TO
ACCOMMODATE 2" PAPER TICKET

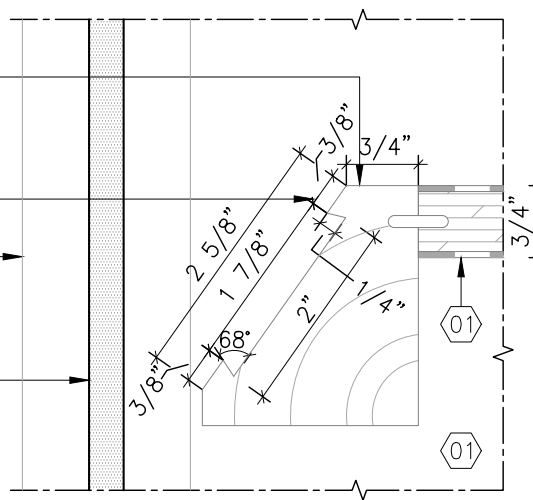
3/4" THK. PARTICLE BRD. SHELF W/
MELAMINE FIN. NO. (01) TO BOTH SIDES
EXTENT OF PARTICLE BOARD
GABLE BEYOND
FIN. NO. (08) WITH 1" THICK
HARDWOOD TRIM FIN. NO. (30)
HARDWOOD TICKET MOULDING
(STRAIGHT) FIN. NO. (30)
1 3/4" THK. LOCKABLE WOOD
FRAMED DOOR FIN. NO. (30) W/
3/8" (10mm) THK. CLEAR
TEMPERED GLASS INSERT W/
RICHELIEU HANDLE #458160195,
SEE PAGE 1 OF 4 FOR
ADDITIONAL HARDWARE SPECS.



6
F359
DETAIL
6" = 1'-0"

NOTE:
ALL WOOD TICKET MOULDINGS TO
ACCOMMODATE 2" PAPER TICKET

3/4" THK. PARTICLE BRD. SHELF W/
MELAMINE FIN. NO. (01) TO BOTH SIDES
HARDWOOD TICKET MOULDING
(ANGLED) FIN. NO. (30)
EXTENT OF PARTICLE BOARD
GABLE BEYOND FIN. NO. (08) W/
1" THICK HARDWOOD TRIM FIN. NO. (30)
1 3/4" THK. LOCKABLE WOOD
FRAMED DOOR FIN. NO. (30) W/
3/8" (10mm) THK. CLEAR
TEMPERED GLASS INSERT W/
RICHELIEU HANDLE #458160195,
SEE PAGE 1 OF 4 FOR
ADDITIONAL HARDWARE SPECS.

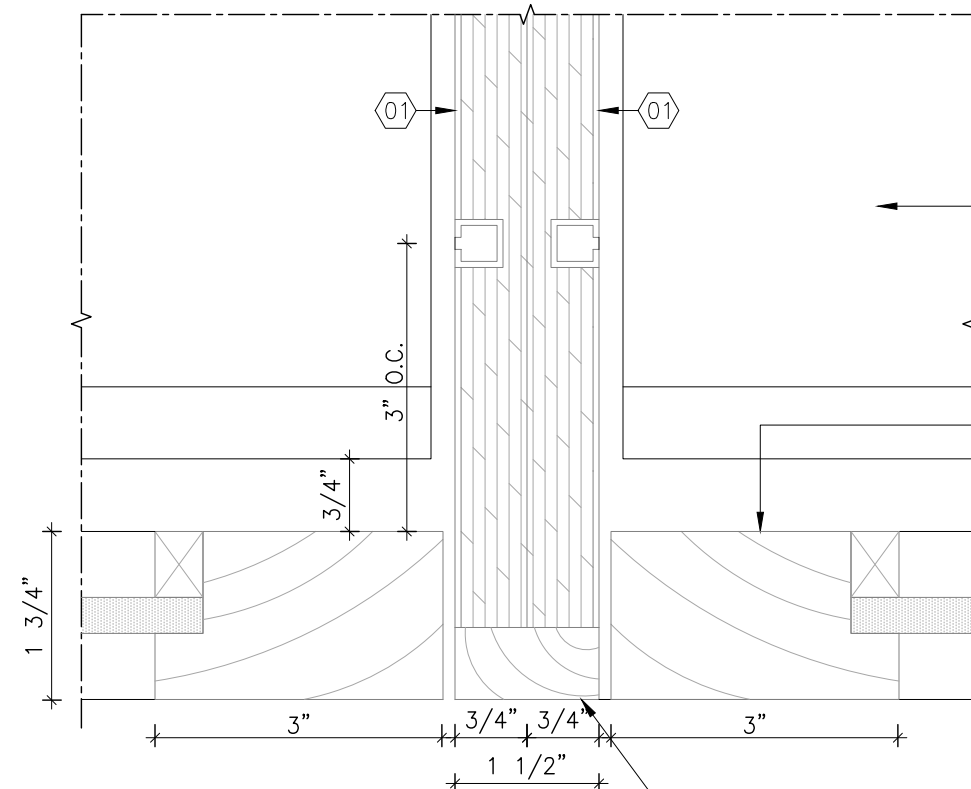


7
F359
DETAIL
6" = 1'-0"

L.E.D. LIGHTSTRIPS:
PROVIDE 36 @ 12" LENGTH AS
INDICATED WITHIN MILLWORK.

LED LIGHTSTRIPS BY TECHNILITE:
MODEL#: L3-32-GI-SEB
LENGTH=12"
OUTPUT=2.4 WATTS / 97 LUMENS PER FT.
COLOUR TEMP. 3200°K
DURATION: 50,000 HRS

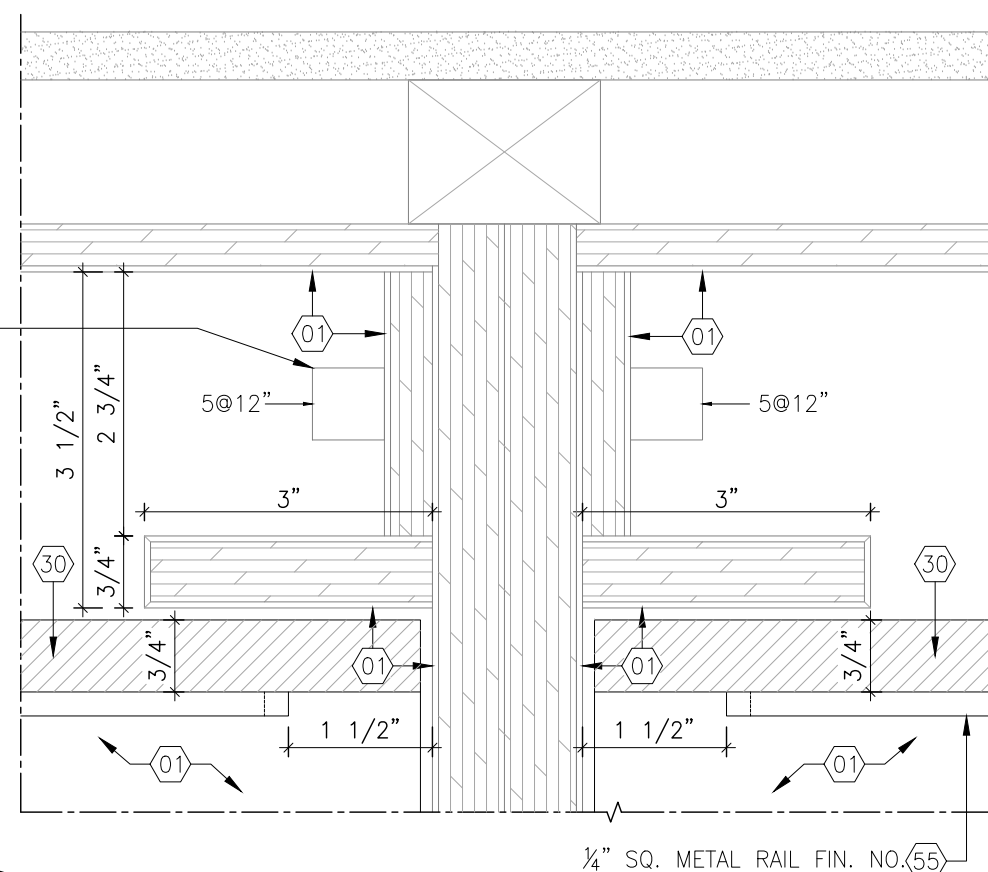
*ALL L.E.D. LIGHTING AND ASSOCIATED
COMPONENTS TO BE SUPPLIED &
INSTALLED BY MILLWORK CONTRACTOR,
FINAL CONNECTION BY G.C.'S
ELECTRICAL SUBTRADE. ENSURE ALL
WIRING/DRIVERS ARE CONCEALED
FROM CUSTOMER'S VIEW.



8
F359
DETAIL
6" = 1'-0"

NOTE:
SOLID WOOD GRADE
TO BE FAS

ADJUSTABLE SHELF W/ HARDWOOD
TICKET MOULDING FIN. NO. (30) &
P. LAM. FIN. NO. (01)
L.E.D. STRIPLIGHTS, SEE SPEC.
THIS PAGE
1 3/4" THK. LOCKABLE WOOD
FRAMED DOOR FIN. NO. (30) W/
3/8" (10mm) THK. CLEAR
TEMPERED GLASS INSERT W/
RICHELIEU HANDLE #458160195,
SEE PAGE 1 OF 4 FOR
ADDITIONAL HARDWARE SPECS.

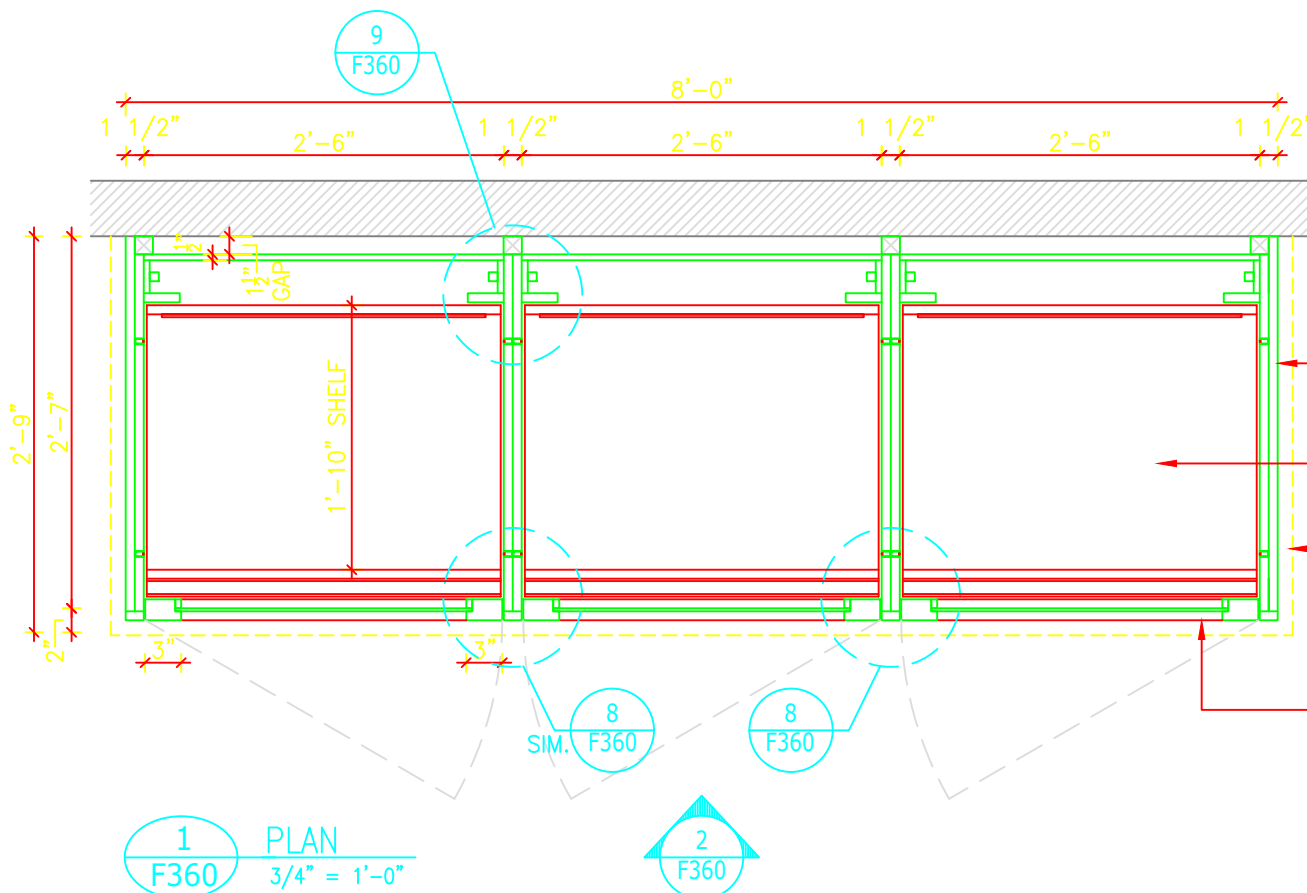


9
F359
DETAIL
6" = 1'-0"

LCBO

300 VINTAGES
2-MODULE GENERAL LIST PERIMETER LOCKABLE DISPLAY (7'-10" H.)

REVISION DATE	REV.	4 of 4	ISSUE DATE	STORE TYPE	STORE #
2017 NOV	15	F359	2021 APR		



NOTE:
SOLID WOOD GRADE TO BE FAS

NOTE:
LOCKS FOR F204, F205, F255, F256, F268, F269, F270, F276, F277, F278, F305, F307, F331, F333, F358, F359, F360, F361, F407, F415 AND F416 TO BE KEYED ALIKE

P. LAM. FIN. NO. (08) TO SIDE (GRAIN DIRECTION TO RUN VERTICALLY)

ADJ. P. LAM. SHELVES FIN. NO. (01) W/ WOOD TICKET MOULDING FIN. NO. (30)

DOTTED LINES OF 3/4" THK. PARTICLE BOARD SIGN BAND FIN. NO. (08) W/ HARDWOOD EDGES FIN. NO. (30) & CONCEALED FLUORESCENT LIGHTING, SEE DETAIL 4/F360

1 3/4" THK. LOCKABLE WOOD FRAMED DOOR FIN. NO. (30) W/ 3/8" (10mm) THK. CLEAR TEMPERED GLASS INSERT W/ RICHELIEU HANDLE #458160195, SEE THIS PAGE FOR ADDITIONAL HARDWARE SPECS.

NOTE:
ALL WOOD TICKET MOULDINGS TO ACCOMMODATE 2" PAPER TICKET

NOTE:
MILLWORK CONTRACTOR TO ENSURE THAT FIXTURE IS CONSTRUCTED SO THAT LIGHT FIXTURES CAN BE SERVICED AND/OR REMOVED WITHOUT DISMANTLING MILLWORK

GENERAL NOTES:
ALL VERTICAL SURFACES ON THE INTERIOR (GABLES, BACK PANELS, AND DIVIDERS) ARE TO BE CONSTRUCTED OF PREFINISHED PARTICLE BOARD PANELS W/ MELAMINE FIN. NO. (01) BOTH SIDES. MILLWORK CONTRACTOR TO PROVIDE HARDWOOD EDGE IN FIN. NO. (30) TO ALL EXPOSED EDGES.

NOTE:
MILLWORK CONTRACTOR TO PROVIDE (1) COAT OF URETHANE SEALER AND (2) TOP COATS OF SATIN LACQUER TO FIN. NO. (30)

MILLWORK CONTRACTOR TO ENSURE THAT ALL SHELVES ARE IN EXACT ALIGNMENT WITH ADJACENT F301 & F302 UNITS.

HARDWARE SPECIFICATIONS:

ADAM RITE DEADLOCK #ARMS1850S410628
MORTISE CYLINDER #LSM1002SCC26D
1" C/W (2) KEYS CLEAR ANODIZED ALUMINUM FINISH
STRIKE FOR HOOK BOLT #ARMS4001031628
SPACER RING #IL861F2810 - 1/4" THK.
CLEAR ANODIZED ALUMINUM
NOTE: LOCK CYLINDER TO BE SUPPLIED & INSTALLED BY LCBO, FITUP BY G.C.

3" .060 GA 8FT LONG CONTINUOUS PIANO HINGE BY RICHELIEU
MODEL: #76096180 (BRUSHED NICKEL FINISH)

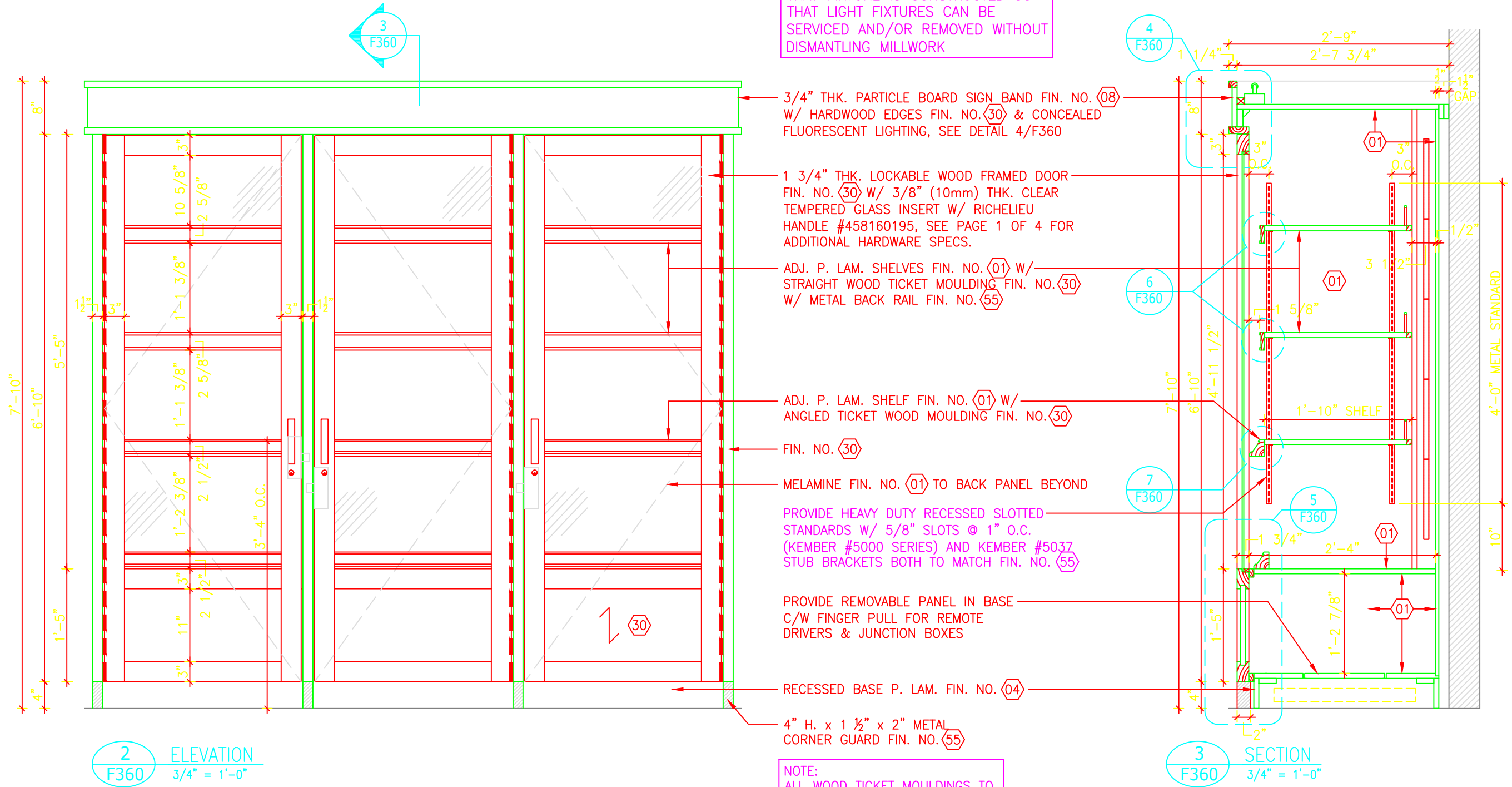
DOOR PULL BY RICHELIEU
MODEL: #458160195 (BRUSHED NICKEL FINISH)

HEAVY DUTY RECESSED SLOTTED STANDARDS W/ 5/8" SLOTS @ 1" O.C. (KEMBER #5000 SERIES) AND KEMBER #5037 STUB BRACKETS BOTH TO MATCH FIN. NO. (55)

LCBO	300 VINTAGES	REVISION DATE	REV.	1 of 4	ISSUE DATE	STORE TYPE	STORE #
	3-MODULE GENERAL LIST PERIMETER LOCKABLE DISPLAY (7'-10" H.)	2017 NOV	15	F360	2021 APR		

NOTE:
SOLID WOOD GRADE TO BE FAS

NOTE:
MILLWORK CONTRACTOR TO ENSURE THAT FIXTURE IS CONSTRUCTED SO THAT LIGHT FIXTURES CAN BE SERVICED AND/OR REMOVED WITHOUT DISMANTLING MILLWORK



2 ELEVATION
F360 3/4" = 1'-0"

3 SECTION
F360 3/4" = 1'-0"

3/4" THK. PARTICLE BOARD SIGN BAND FIN. NO. 08 W/ HARDWOOD EDGES FIN. NO. 30 & CONCEALED FLUORESCENT LIGHTING, SEE DETAIL 4/F360

1 3/4" THK. LOCKABLE WOOD FRAMED DOOR FIN. NO. 30 W/ 3/8" (10mm) THK. CLEAR TEMPERED GLASS INSERT W/ RICHELIEU HANDLE #458160195, SEE PAGE 1 OF 4 FOR ADDITIONAL HARDWARE SPECS.

ADJ. P. LAM. SHELVES FIN. NO. 01 W/ STRAIGHT WOOD TICKET MOULDING FIN. NO. 30 W/ METAL BACK RAIL FIN. NO. 55

ADJ. P. LAM. SHELF FIN. NO. 01 W/ ANGLED TICKET WOOD MOULDING FIN. NO. 30

FIN. NO. 30

MELAMINE FIN. NO. 01 TO BACK PANEL BEYOND

PROVIDE HEAVY DUTY RECESSED SLOTTED STANDARDS W/ 5/8" SLOTS @ 1" O.C. (KEMBER #5000 SERIES) AND KEMBER #5037 STUB BRACKETS BOTH TO MATCH FIN. NO. 55

PROVIDE REMOVABLE PANEL IN BASE C/W FINGER PULL FOR REMOTE DRIVERS & JUNCTION BOXES

RECESSED BASE P. LAM. FIN. NO. 04

4" H. x 1 1/2" x 2" METAL CORNER GUARD FIN. NO. 55

NOTE:
ALL WOOD TICKET MOULDINGS TO ACCOMMODATE 2" PAPER TICKET

NOTE:
EACH DOOR TO HAVE INDIVIDUAL LOCKING MECHANISM

LCBO	300 VINTAGES	REVISION DATE	REV.	2 of 4	ISSUE DATE	STORE TYPE	STORE #
	3-MODULE GENERAL LIST PERIMETER LOCKABLE DISPLAY (7'-10" H.)	2019 APR	16	F360	2021 APR		

HARDWOOD EDGE FIN. NO. (30)

FLUORESCENT LIGHT COVE TO ILLUMINATE FACE OF DRYWALL B/HEAD

3/4" THK. PARTICLE BOARD SIGN BAND FIN. NO. (08) TO ALL EXPOSED SURFACES

CONCEALED LED LIGHTSTRIPS 2 @ 12" PER UNIT, SEE PAGE 1 FOR SPECIFICATION

NOTE:
ALL POWER FEEDS TO BE CONCEALED FROM CUSTOMERS VIEW.

ALL LIGHTING WITHIN LOCKABLE UNIT TO BE SUPPLIED & INSTALLED BY MILLWORK CONTRACTOR. FINAL CONNECTIONS BY G.C.'s ELECTRICAL SUBTRADE.

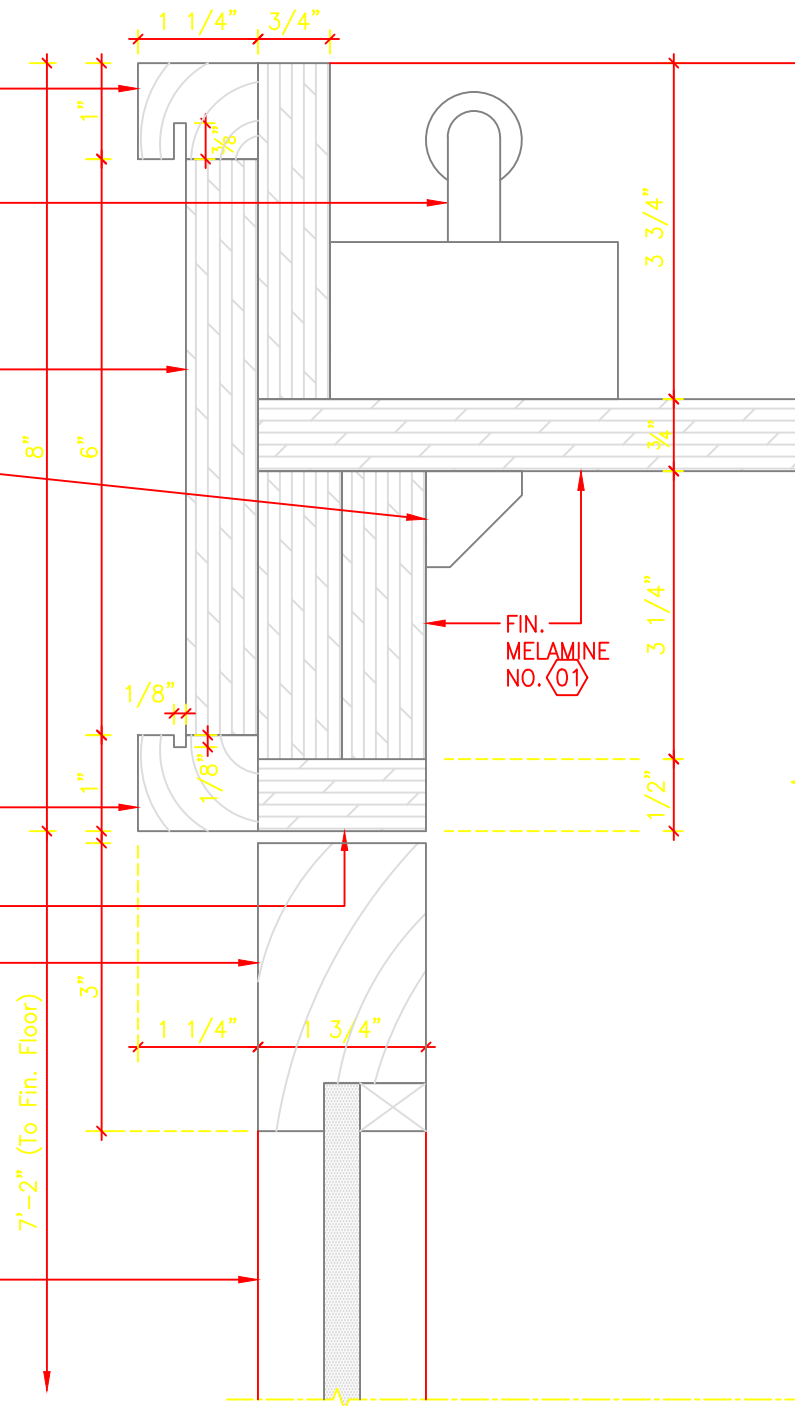
HARDWOOD EDGE FIN. NO. (30)

FIN. NO. (08)

1 3/4" THK. LOCKABLE WOOD FRAMED DOOR FIN. NO. (30) W/ 3/8" (10mm) THK. CLEAR TEMPERED GLASS INSERT W/ RICHELIEU HANDLE #458160195, SEE PAGE 1 OF 4 FOR ADDITIONAL HARDWARE SPECS.

EXTENT OF 1 1/2" THK. PARTICLE BOARD END GABLES W/ MELAMINE FIN. NO. (08) BOTH SIDES C/W 1 1/2" THK. HARDWOOD EDGE FIN. NO. (30)

4 SECTION-DETAIL
F360 6" = 1'-0"



NOTE:
ALL WOOD TICKET MOULDINGS TO ACCOMMODATE 2" PAPER TICKET

MELAMINE FIN. NO. (01) TO GABLE BEYOND

FIXED HARDWOOD TICKET MOULDING (ANGLED) FIN. NO. (30)

1 3/4" THK. LOCKABLE WOOD FRAMED DOOR FIN. NO. (30) (ALL SIDES) W/ 3/8" (10mm) THK. CLEAR TEMPERED GLASS INSERT W/ RICHELIEU HANDLE #458160195, SEE PAGE 1 OF 4 FOR ADDITIONAL HARDWARE SPECS.

BEECH VENEER TO MATCH FIN. NO. (30)

MELAMINE FIN. NO. (01) TO ALL INTERIOR SURFACES OF LOCKABLE CABINET

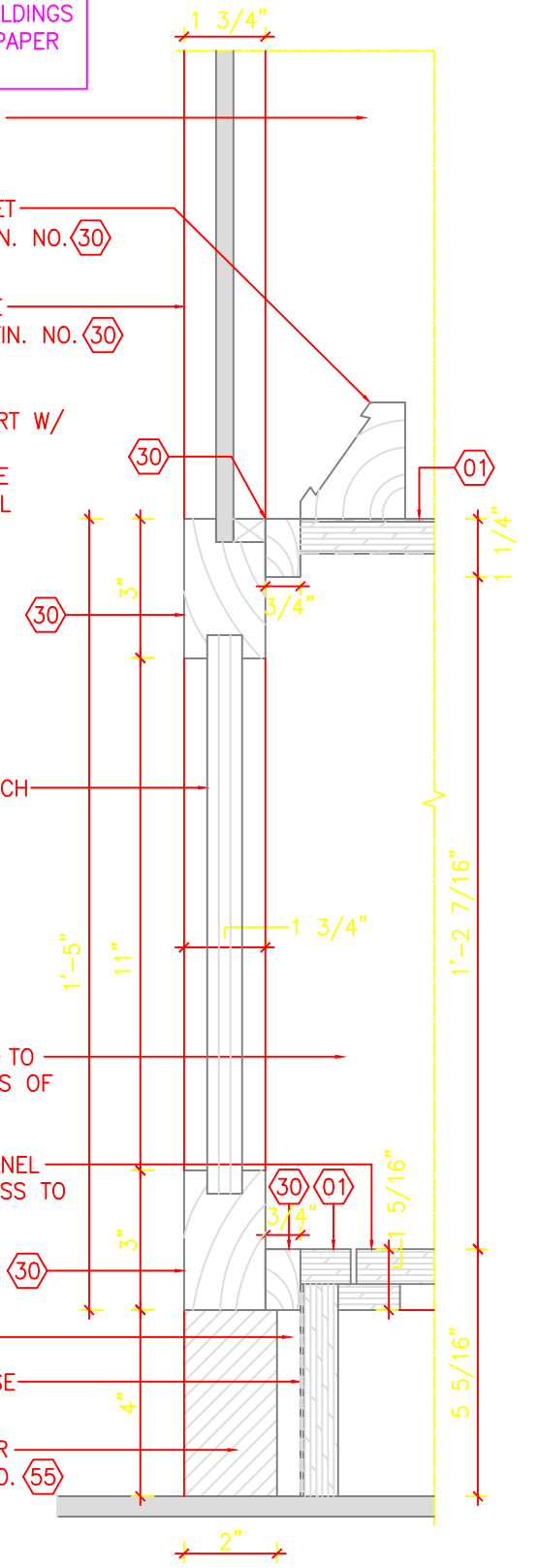
REMOVABLE ACCESS PANEL FIN. NO. (01) FOR ACCESS TO REMOTE BALLASTS

P. LAM. FIN. NO. (08)

RECESSED P. LAM. BASE FIN. NO. (04)

4" HIGH METAL CORNER GUARD BEYOND FIN. NO. (55)

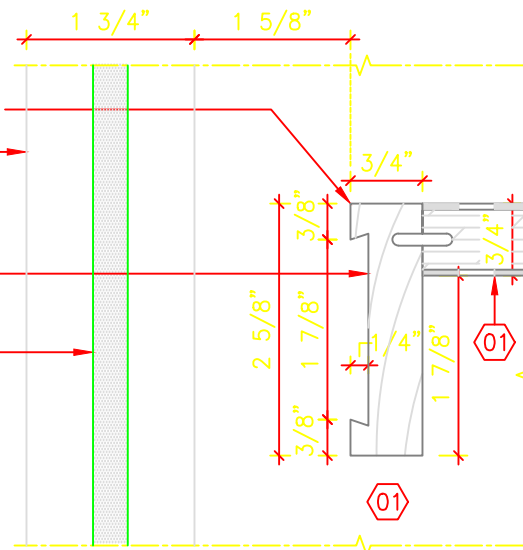
5 DETAIL
F360 3" = 1'-0"



LCBO	300 VINTAGES	REVISION DATE	REV.	3 of 4	ISSUE DATE	STORE TYPE	STORE #
	3-MODULE GENERAL LIST PERIMETER LOCKABLE DISPLAY (7'-10" H.)	2017 NOV	15	F360	2021 APR		

NOTE:
ALL WOOD TICKET MOULDINGS TO
ACCOMMODATE 2" PAPER TICKET

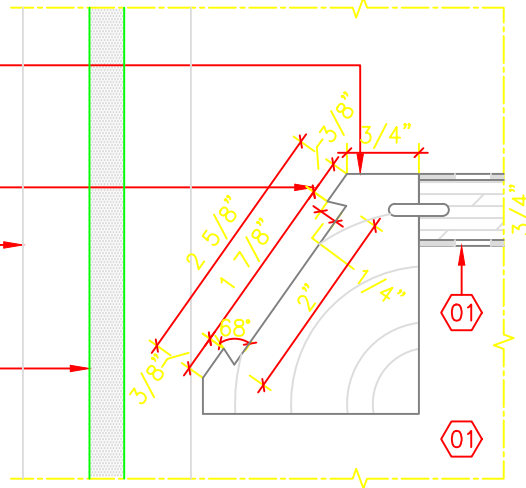
3/4" THK. PARTICLE BRD. SHELF W/
MELAMINE FIN. NO. (01) TO BOTH SIDES
EXTENT OF PARTICLE BOARD
GABLE BEYOND
FIN. NO. (08) WITH 1" THICK
HARDWOOD TRIM FIN. NO. (30)
HARDWOOD TICKET MOULDING
(STRAIGHT) FIN. NO. (30)
1 3/4" THK. LOCKABLE WOOD
FRAMED DOOR FIN. NO. (30) W/
3/8" (10mm) THK. CLEAR
TEMPERED GLASS INSERT W/
RICHELIEU HANDLE #458160195,
SEE PAGE 1 OF 4 FOR
ADDITIONAL HARDWARE SPECS.



6
F360
DETAIL
6" = 1'-0"

NOTE:
ALL WOOD TICKET MOULDINGS TO
ACCOMMODATE 2" PAPER TICKET

3/4" THK. PARTICLE BRD. SHELF W/
MELAMINE FIN. NO. (01) TO BOTH SIDES
HARDWOOD TICKET MOULDING
(ANGLED) FIN. NO. (30)
EXTENT OF PARTICLE BOARD
GABLE BEYOND FIN. NO. (08) W/
1" THICK HARDWOOD TRIM FIN. NO. (30)
1 3/4" THK. LOCKABLE WOOD
FRAMED DOOR FIN. NO. (30) W/
3/8" (10mm) THK. CLEAR
TEMPERED GLASS INSERT W/
RICHELIEU HANDLE #458160195,
SEE PAGE 1 OF 4 FOR
ADDITIONAL HARDWARE SPECS.

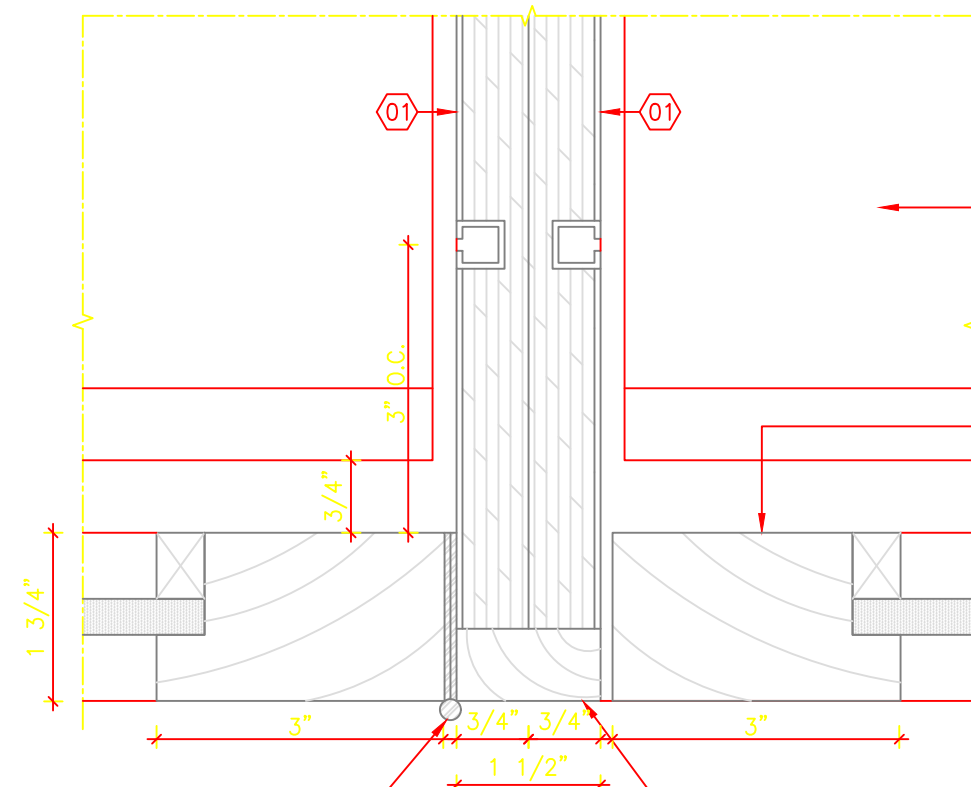


7
F360
DETAIL
6" = 1'-0"

L.E.D. LIGHTSTRIPS:
PROVIDE 36 @ 12" LENGTH AS
INDICATED WITHIN MILLWORK.

LED LIGHTSTRIPS BY TECHNILITE:
MODEL#: L3-32-GI-SEB
LENGTH=12"
OUTPUT=2.4 WATTS / 97 LUMENS PER FT.
COLOUR TEMP. 3200°K
DURATION: 50,000 HRS

*ALL L.E.D. LIGHTING AND ASSOCIATED
COMPONENTS TO BE SUPPLIED &
INSTALLED BY MILLWORK CONTRACTOR,
FINAL CONNECTION BY G.C.'S
ELECTRICAL SUBTRADE. ENSURE ALL
WIRING/DRIVERS ARE CONCEALED
FROM CUSTOMER'S VIEW.

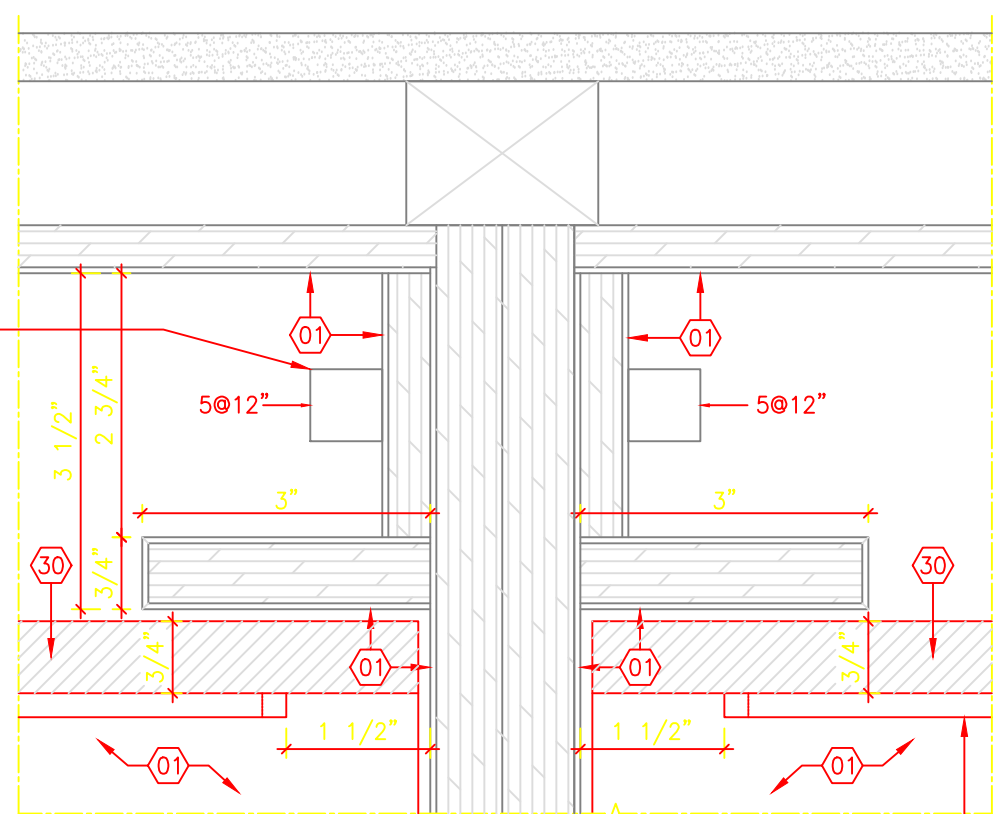


PIANO HINGE, REFER TO PAGE 1 OF 4
FOR HARDWARE SPECIFICATIONS

8
F360
DETAIL
6" = 1'-0"

NOTE:
SOLID WOOD GRADE
TO BE FAS

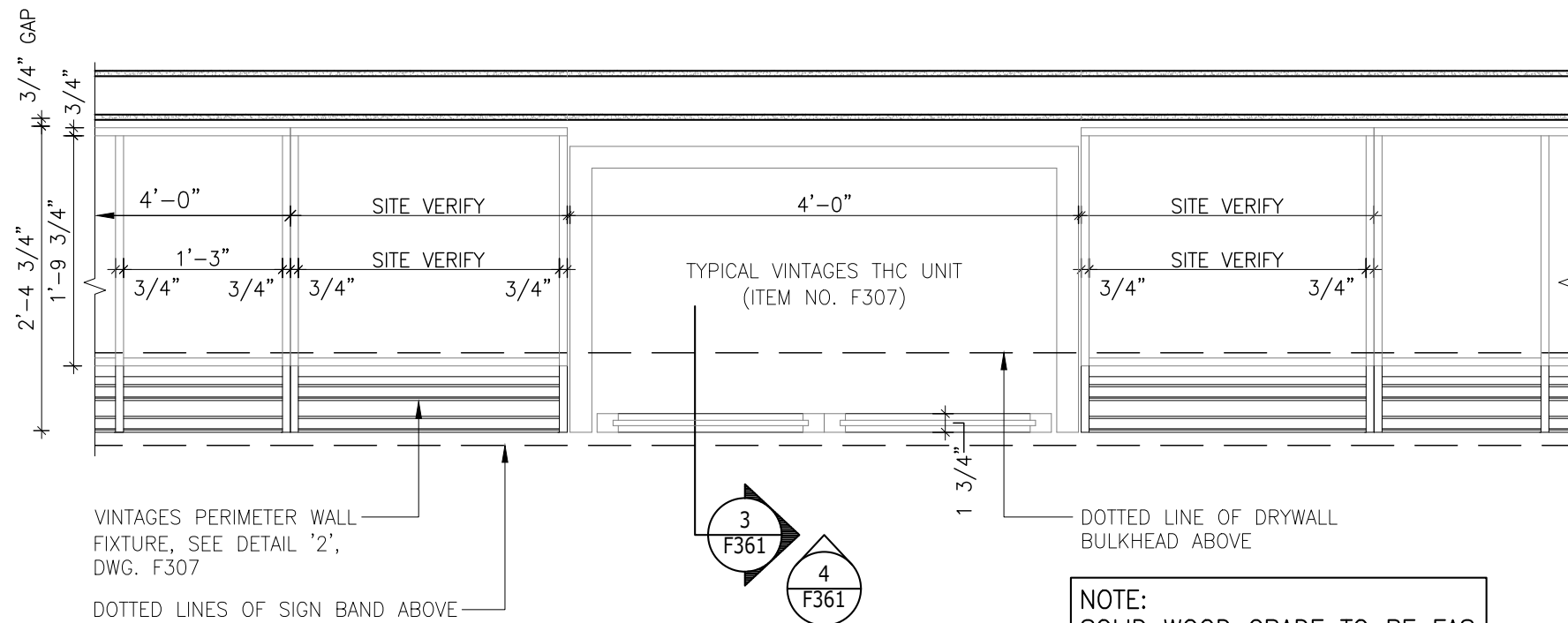
ADJUSTABLE SHELF W/ HARDWOOD
TICKET MOULDING FIN. NO. (30) &
P. LAM. FIN. NO. (01)
L.E.D. STRIPLIGHTS, SEE SPEC.
THIS PAGE
1 3/4" THK. LOCKABLE WOOD
FRAMED DOOR FIN. NO. (30) W/
3/8" (10mm) THK. CLEAR
TEMPERED GLASS INSERT W/
RICHELIEU HANDLE #458160195,
SEE PAGE 1 OF 4 FOR
ADDITIONAL HARDWARE SPECS.



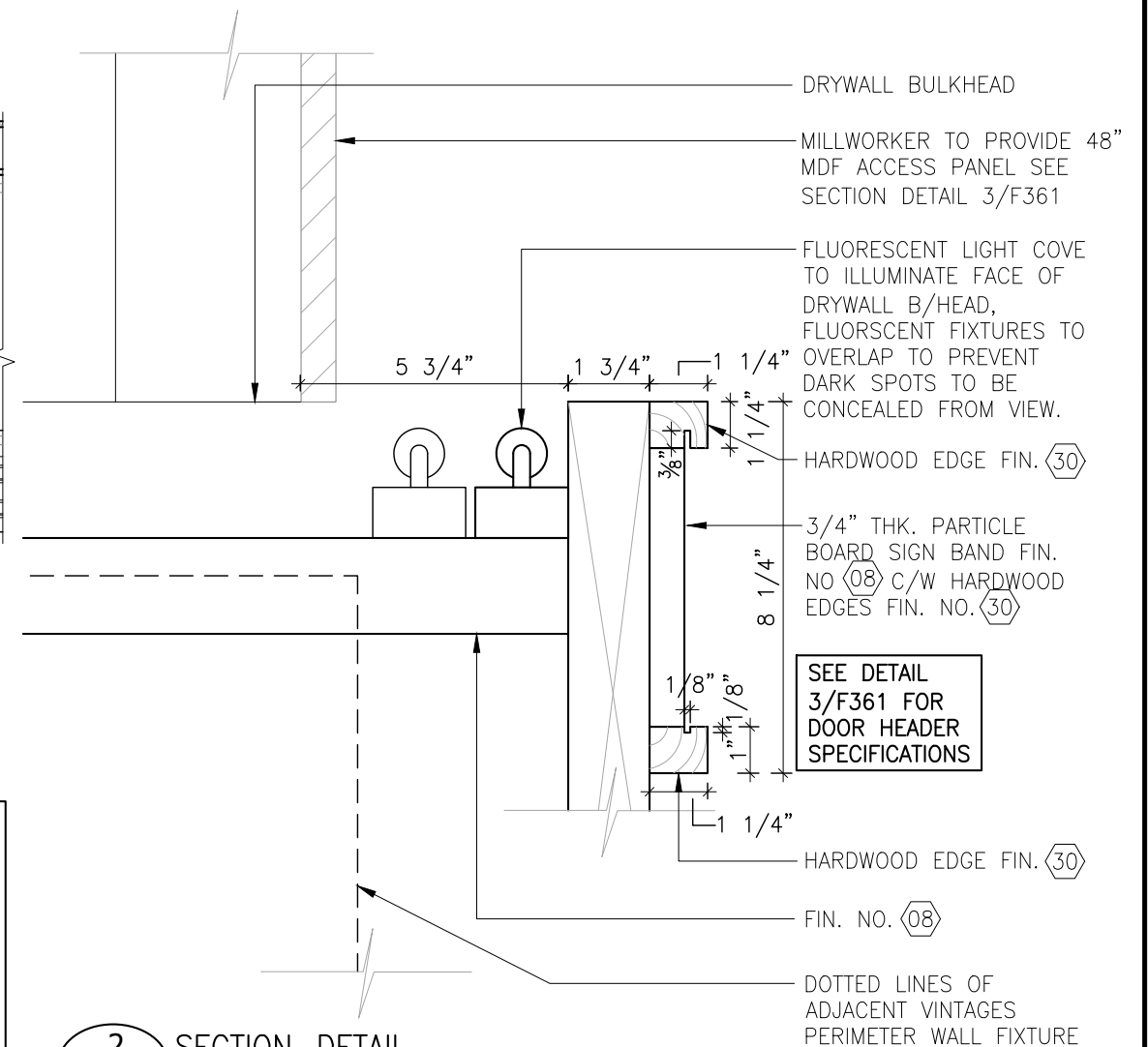
1/4" SQ. METAL RAIL FIN. NO. (55)

9
F360
DETAIL
6" = 1'-0"

LCBO	300 VINTAGES	REVISION DATE	REV.	4 of 4	ISSUE DATE	STORE TYPE	STORE #
	3-MODULE GENERAL LIST PERIMETER LOCKABLE DISPLAY (7'-10" H.)	2017 NOV	15	F360	2021 APR		



NOTE:
SOLID WOOD GRADE TO BE FAS



2 SECTION-DETAIL
F361 3\"/>

HARDWARE SPECIFICATIONS:

ADAM RITE DEADLOCK #ARMS1850S410628
MORTISE CYLINDER #LSM1002SCC26D
1\"/>

GENERAL NOTES:

EXTERIOR:

- THC UNIT SUPPLIER TO PROVIDE 1/2\"/>

INTERIOR:

- 1/2\"/>

LIGHTING/TEMPERATURE CONTROL:

- DIGITAL TEMPERATURE CONTROL WITH AUDIO ALARM PRESET
- OVERHEATING TEMPERATURE 12C-16C
- OPTIMAL TEMP 54F
- REMOTE INDOOR CONDENSING UNIT R404A 115V 20A
- (UNIT TO BE MOUNTED ON BRACKETS IN WAREHOUSE WHEN ACCESSIBLE FROM INTERIOR WALL IN WAREHOUSE)
- CASE REQUIRES 115V 15A CIRCUIT

MILLWORK CONTRACTOR TO SUPPLY FASCIA SIGN BAND, REMOVABLE BASE & PANEL IN BULKHEAD ABOVE.

- ALL LIGHTING WITHIN F361 UNIT TO BE SUPPLIED BY MANUFACTURER W/ ALL FINAL CONNECTIONS BY GC. MANUFACTURER & GC. TO COORDINATE AS REQ'D.

L.E.D. STRIPLIGHT SPECIFICATIONS:

LED LIGHTSTRIPS BY TECHNILITE:
MODEL#: L3-32-GI-SEB
LENGTH=12\"/>

NOTE:

G.C. TO PROVIDE ACCESS TO THC UNIT FROM WAREHOUSE SIDE (IF POSSIBLE), OTHERWISE PROVIDE ACCESS PANEL IN BULKHEAD ABOVE UNIT AS SHOWN. G.C TO COORDINATE WITH LCBO DESIGN COORDINATOR.

ALL POWER FEEDS TO BE CONCEALED FROM CUSTOMERS VIEW.

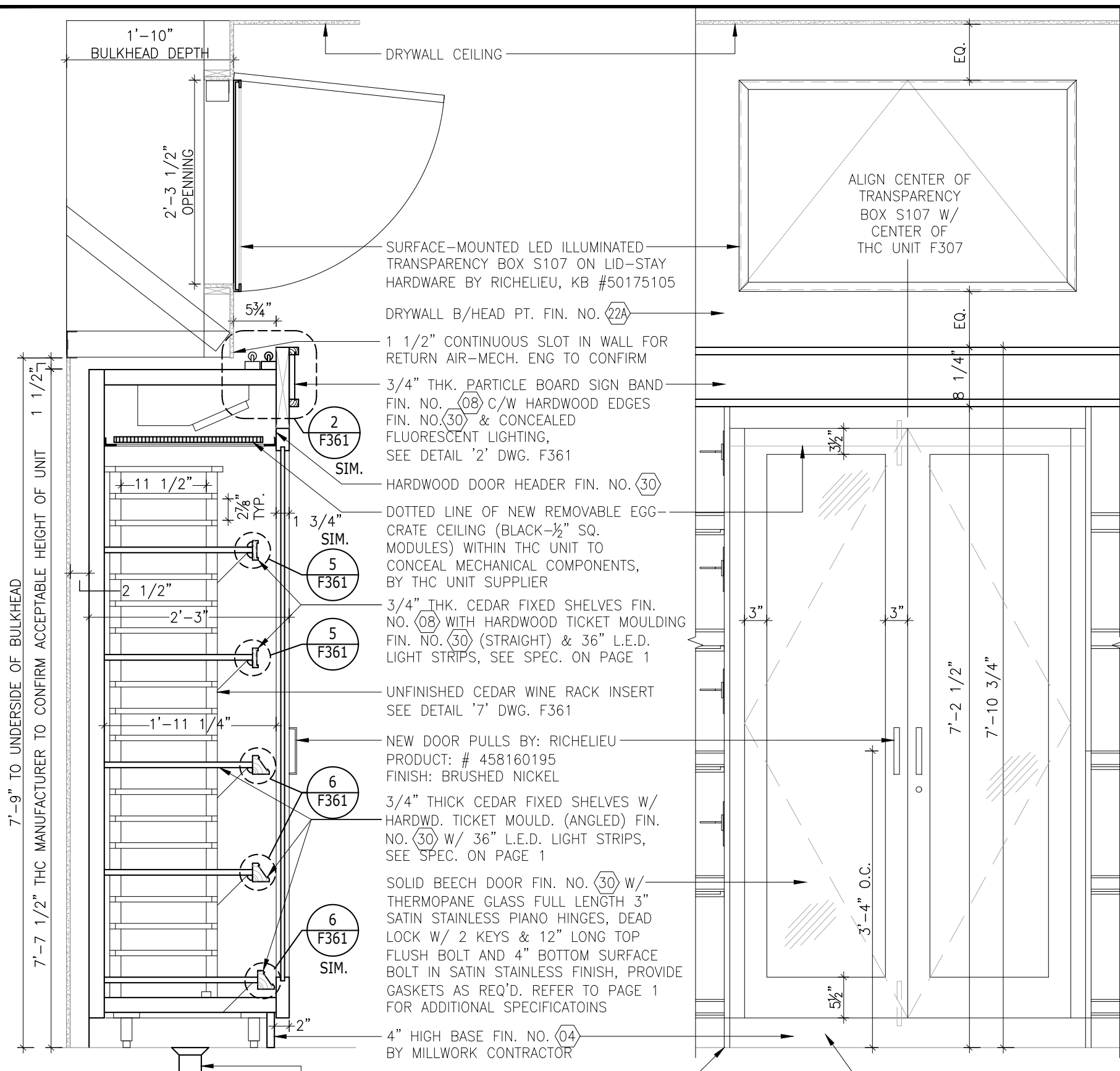
G.C. TO ENSURE THAT COVE LIGHTING IS CONCEALED.

LOCKS FOR F204, F205, F255, F256, F268, F269, F270, F276, F277, F278, F305, F307, F331, F333, F358, F359, F360, F361, F407, F415 AND F416 TO BE KEYED ALIKE

G.C. TO COORDINATE W/ LCBO RE: APPROVED SUPPLIER OF THC UNIT.

1 PLAN
F361 3/4\"/>

LCBO	300 VINTAGES	REVISION DATE	REV.	1 of 2	ISSUE DATE	STORE TYPE	STORE #
	VINTAGES THC UNIT	2017 NOV	15	F361	2021 APR		



3 SECTION
F361 3/4" = 1'-0"

4 ELEVATION
F361 3/4" = 1'-0"

5 DETAIL
F361 6" = 1'-0"

6 DETAIL
F361 6" = 1'-0"

7 DETAIL (PARTIAL)
F361 3" = 1'-0"

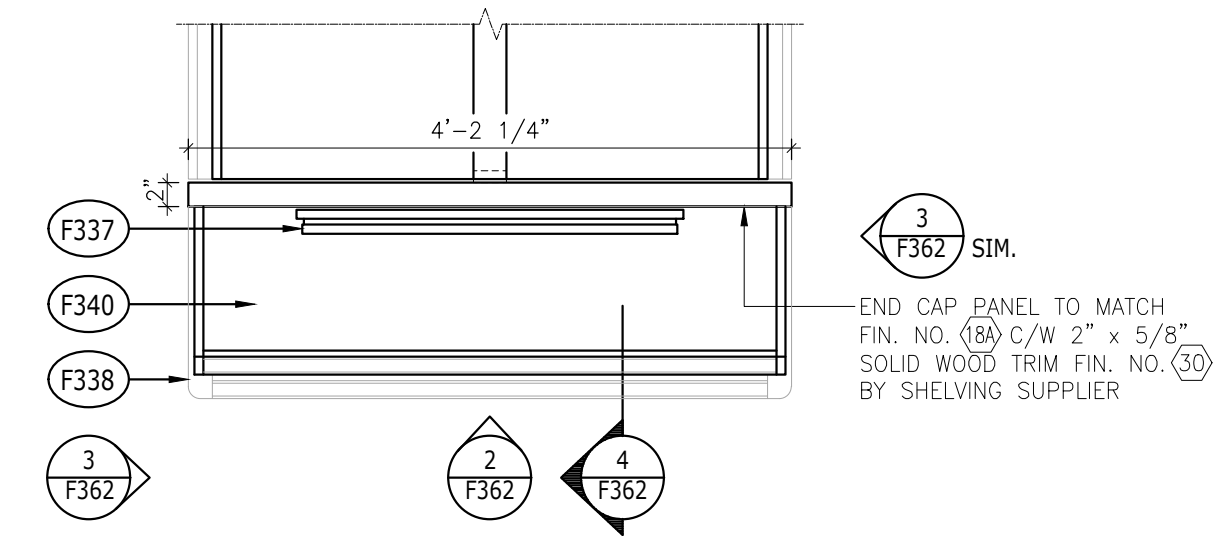
NOTE:
SOLID WOOD GRADE TO BE FAS

NOTE:
SOLID WOOD GRADE
TO BE FAS

LCBO	300 VINTAGES	REVISION DATE	REV.	2 of 2	ISSUE DATE	STORE TYPE	STORE #
	VINTAGES THC UNIT	2017 NOV	15	F361	2021 APR		

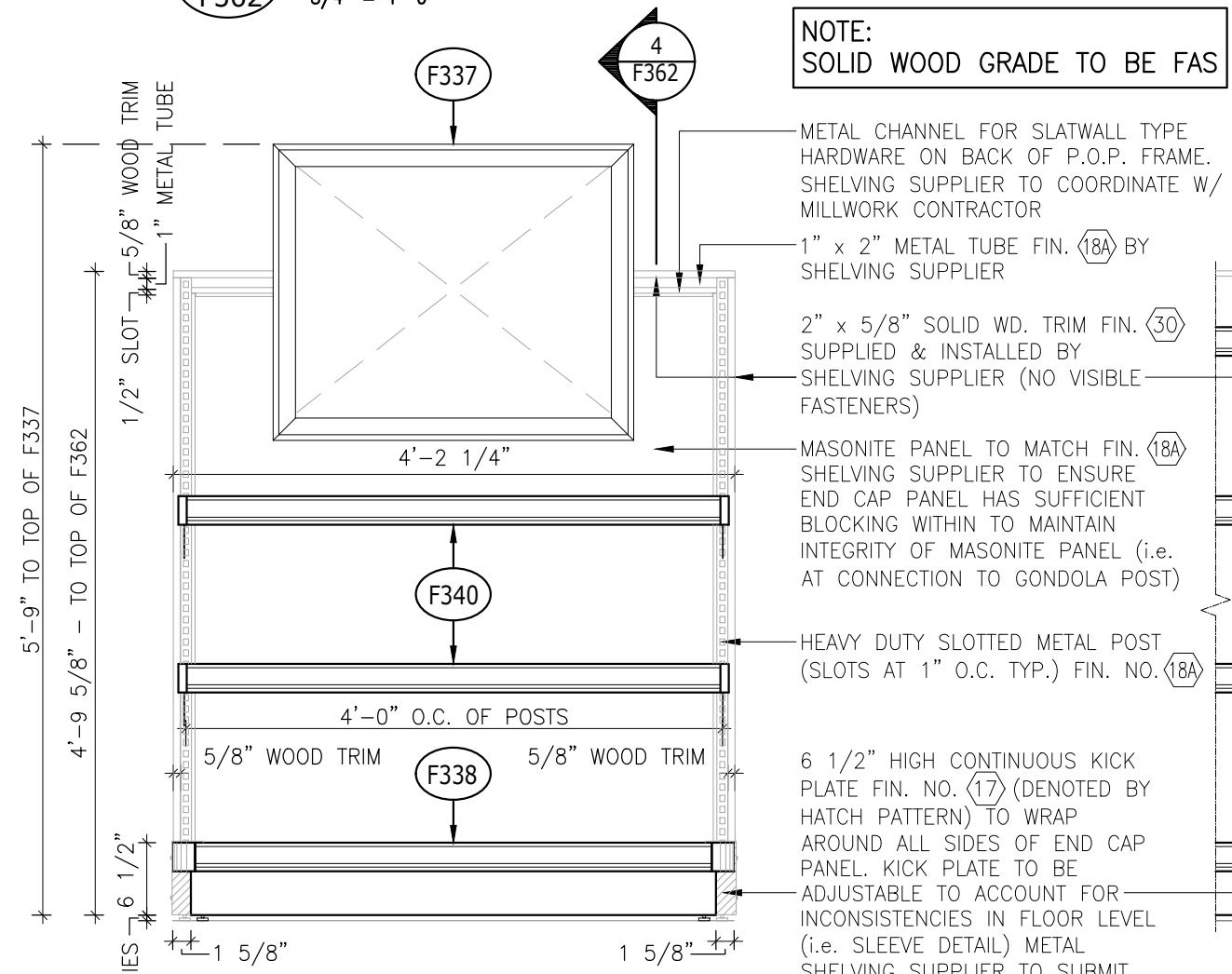
GENERAL NOTES

- DIMENSIONS SHOWN REFLECT SHELF & BASE DIMENSIONS ONLY & DO NOT TAKE METAL TICKET HOLDERS INTO ACCOUNT
- ALL ADJUSTMENTS TO COMPENSATE FOR NON-LEVEL FLOOR SURFACES TO BE MADE AT BOTTOM END OF POST
- GC TO CO-ORDINATE MILLWORK + METAL SHELF INSTALLATION
- END CAP PANELS (F362) TO BE SECURED TO END POSTS USING THRU-BOLTS, CONCEALED FROM CUSTOMER VIEW. METAL SHELVING SUPPLIER TO ENSURE END CAP PANEL HAS SUFFICIENT BLOCKING WITHIN TO MAINTAIN INTEGRITY OF MASONITE PANEL.

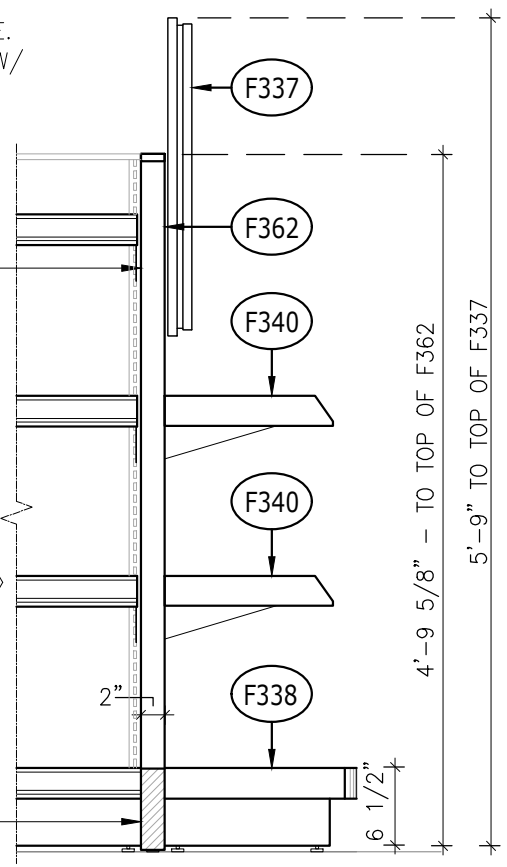


1 PLAN
F362 3/4" = 1'-0"

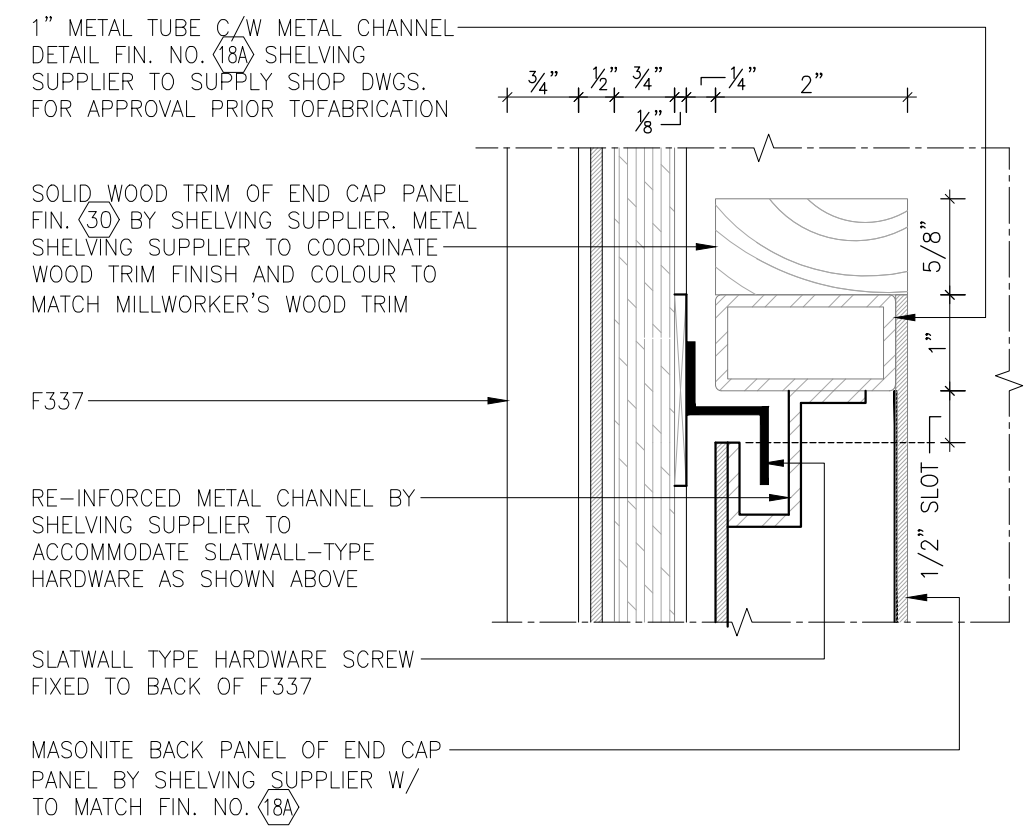
NOTE:
SOLID WOOD GRADE TO BE FAS



2 ELEVATION
F362 3/4" = 1'-0"

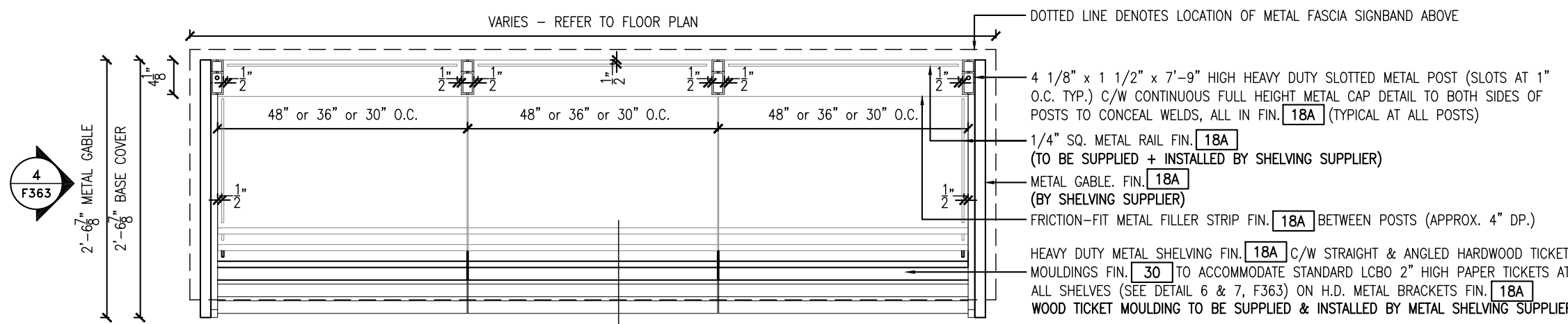


3 ELEVATION
F362 3/4" = 1'-0"



4 DETAIL
F362 6" = 1'-0"

LCBO	300 VINTAGES	REVISION DATE	REV.	1 of 1	ISSUE DATE	STORE TYPE	STORE #
	VINTAGES 4-HIGH METAL GONDOLA END CAP PANEL	2019 APR	16	F362	2021 APR		



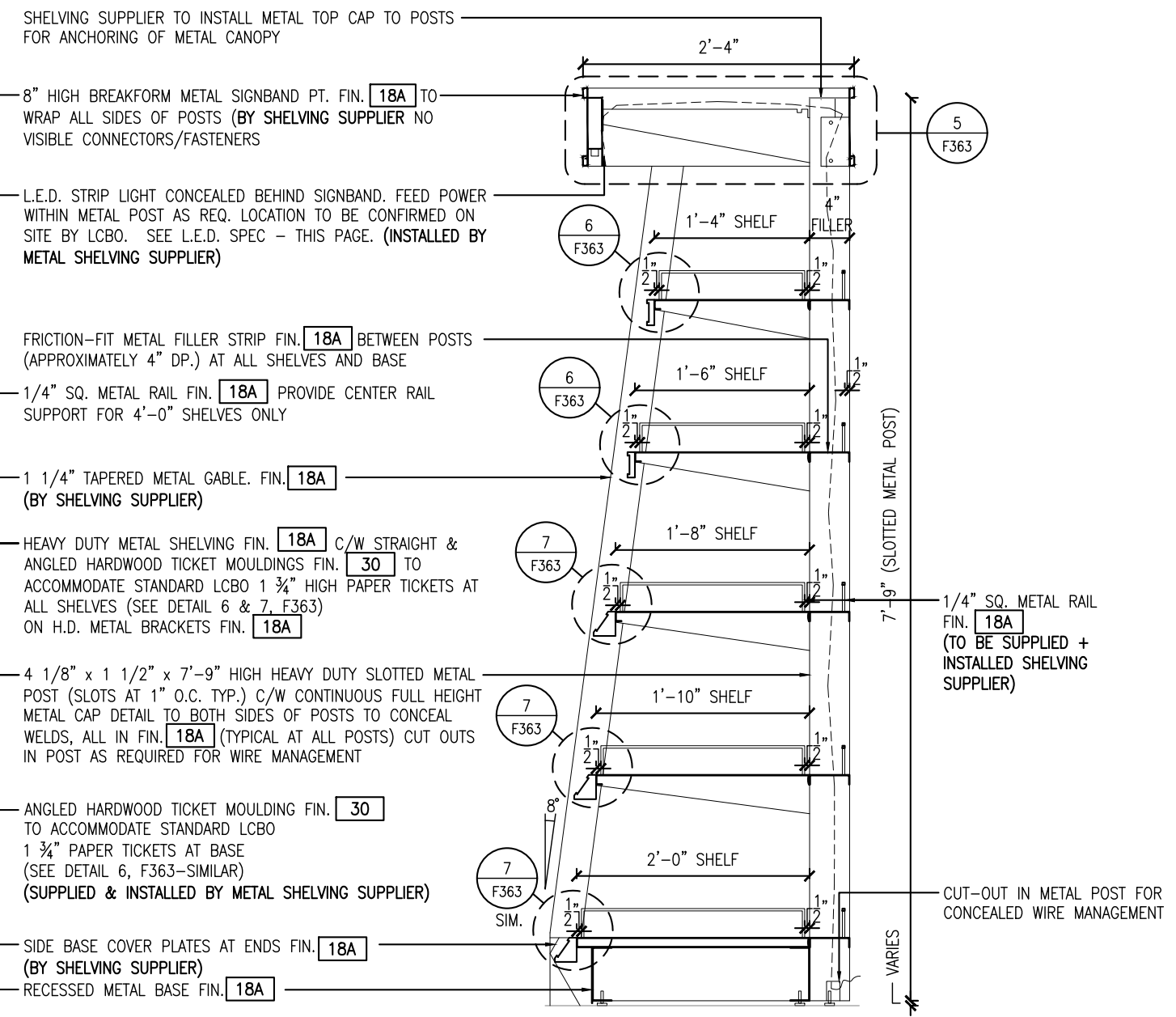
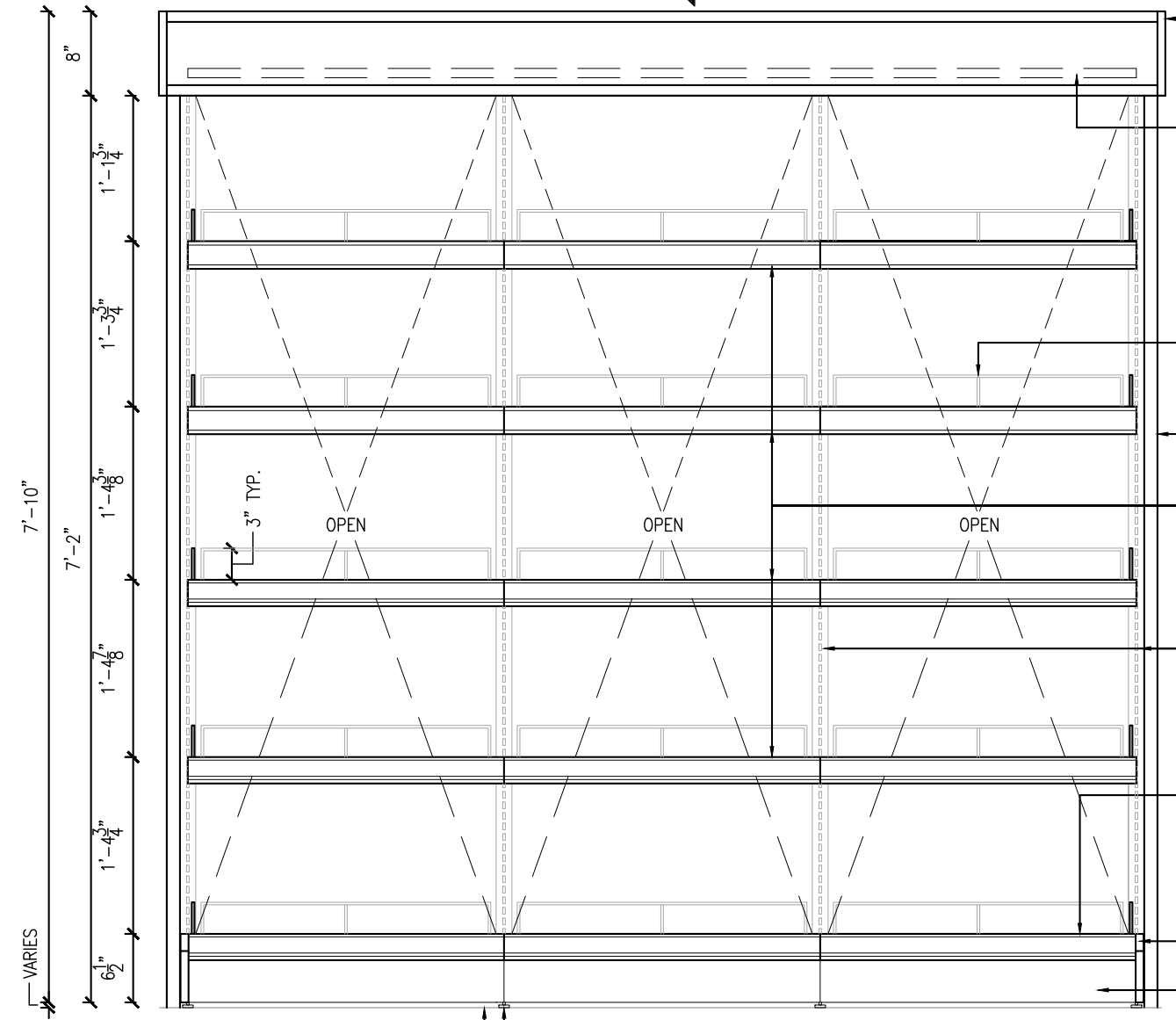
L.E.D. LIGHTSTRIPS:
 PROVIDE LENGTH ACCORDING TO REQUIREMENTS OF FIXTURE LAYOUT. VARIES PER LOCATION, REFER TO PLAN FOR FIXTURE LAYOUT

INTEGRATED L.E.D. LIGHTS BY PHILIPS. MODEL:
 -2'L INTEGRADE ENGINE Vi 575mm 930G3. 750 lm, 7.3W.
 -3'L INTEGRADE ENGINE Vi 855mm 930G3. 1090 lm, 10.7W.
 -4'L INTEGRADE ENGINE Vi 1150mm 930G3 1500 lm, 14.6W

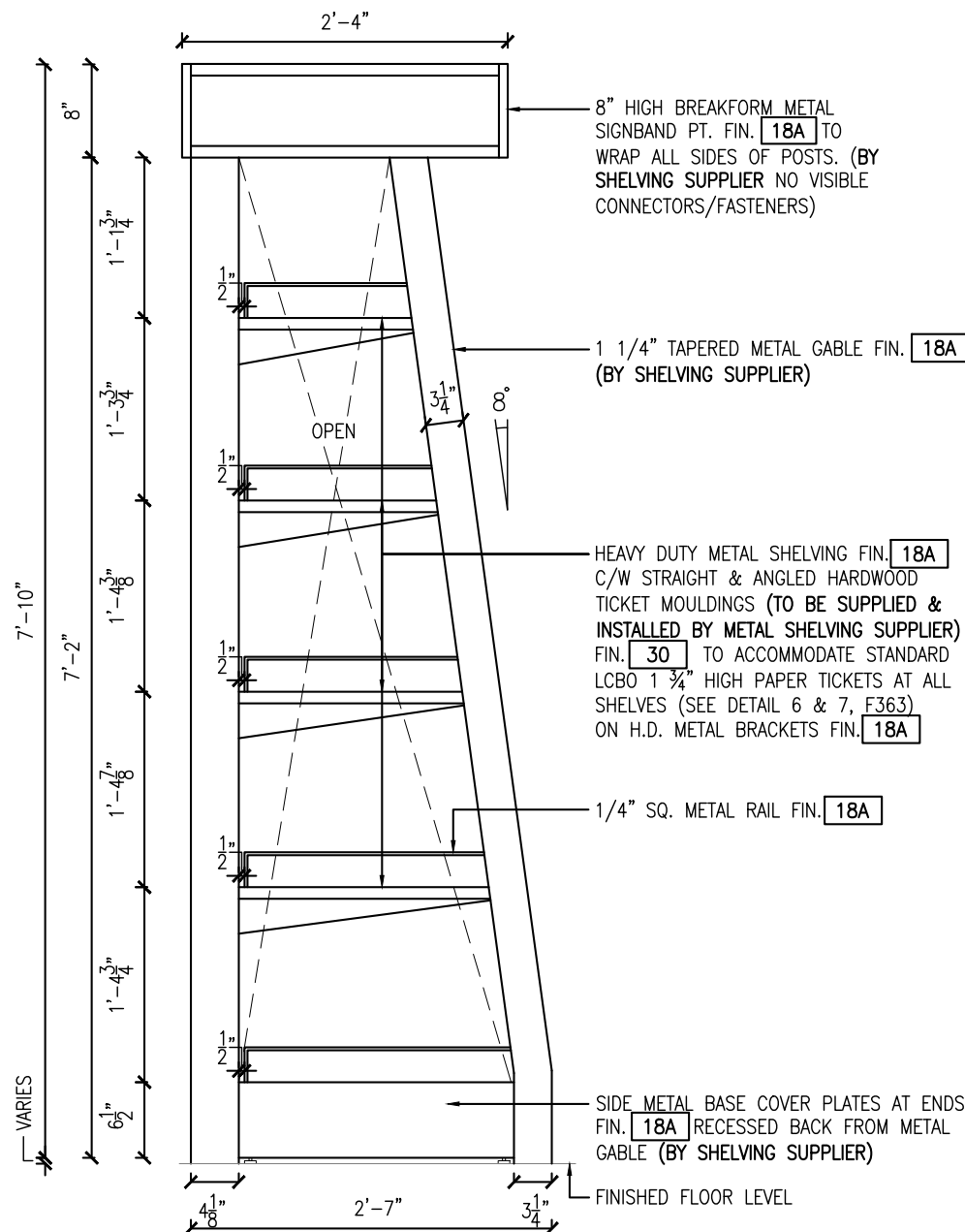
ACCESSORY COMPONENT: 'M' PROFILE, MAGNETIC MOUNTING CLIPS AND DRIVER.
 CONTACT: ROHAN PERIANA C: 416-457-6432

***ALL L.E.D. LIGHTING AND ASSOCIATED COMPONENTS TO BE SUPPLIED BY LCBO LIGHTING VENDOR & INSTALLED BY METAL SHELVING SUPPLIER, FINAL CONNECTION BY G.C.'S ELECTRICAL SUBTRADE. ENSURE ALL WIRING/DRIVERS ARE CONCEALED FROM CUSTOMER'S VIEW.**

1 PLAN
 F363 SCALE: 3/4" = 1'-0"



LCBO	F300 - VINTAGES	REVISION DATE	REV.	1 of 2	ISSUE DATE	STORE TYPE	STORE #
	D/S VINTAGES FIXTURE W/ WOOD TICKET MOULDINGS & FRONT LED CANOPY ILLUMINATION (7'-10" H.)	2021 MAR	17	F363	2021 APR		



4 ELEVATION
F363 SCALE: 3/4" = 1'-0"

- GENERAL NOTES:**
1. ALL DIMENSIONS INDICATED FROM FINISH FLOOR ARE TAKEN FROM THE HIGHEST FINISHED FLOOR ELEVATION OF THAT FLOOR SYSTEM
 2. DIMENSIONS SHOWN REFLECT SHELF AND BASE DIMENSIONS ONLY AND DO NOT TAKE METAL TICKET HOLDERS INTO ACCOUNT
 3. ALL ADJUSTMENTS TO COMPENSATE FOR NON-LEVEL FLOOR SURFACES TO BE MADE AT BOTTOM END OF POST
 4. MILLWORKER TO OBTAIN SIGNAGE SAMPLE FROM LCBO PRIOR TO FABRICATION TO ENSURE PROPER FIT OF SIGNAGE INSERT
 5. G.C TO ENSURE ALL SHELVES ARE IN EXACT ALIGNMENT AND ARE TRUE AND LEVEL. PERFORATED SHELVES ARE ACCEPTABLE. SHELVES TO SUPPORT LOAD CAPACITY OF 500LBS
 6. ALL METAL WORK TO BE GROUND AND SMOOTH. NO SHARP EDGES
 7. WOOD TICKET MOULDING TO BE SUPPLIED & INSTALLED BY METAL SHELVING SUPPLIER
 8. SUPPLIED BY SHELVING SUPPLIER

NOTE:
ALL COMPONENTS SUPPLIED BY METAL SHELVING SUPPLIER INCLUDING TOP SIGNAGE CANOPY.

8" HIGH BREAKFORM METAL SIGNBAND PT. FIN. 18A TO WRAP ALL SIDES OF POSTS (BY SHELVING SUPPLIER NO VISIBLE CONNECTORS/FASTENERS)

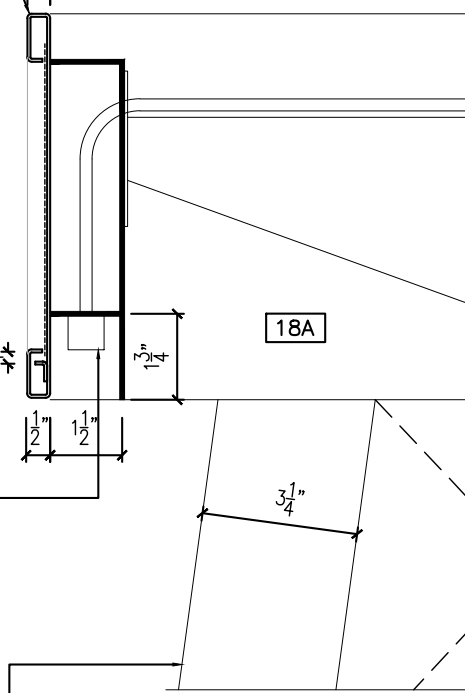
L.E.D. STRIP LIGHT CONCEALED BEHIND SIGNBAND. FEED POWER WITHIN METAL POST AS REQ. LOCATION TO BE CONFIRMED ON SITE BY LCBO. SEE L.E.D. SPEC ON PAGE 1. (SUPPLIED BY LCBO LIGHTING VENDOR AND INSTALLED BY METAL SHELVING SUPPLIER)

1 1/4" TAPERED METAL GABLE FIN. 18A (BY SHELVING SUPPLIER)

NOTE:
METAL SHELVING SUPPLIER TO ENSURE THAT FIXTURE IS CONSTRUCTED SO THAT LIGHT FIXTURES CAN BE SERVICED AND/OR REMOVED WITHOUT DISMANTLING FIXTURE

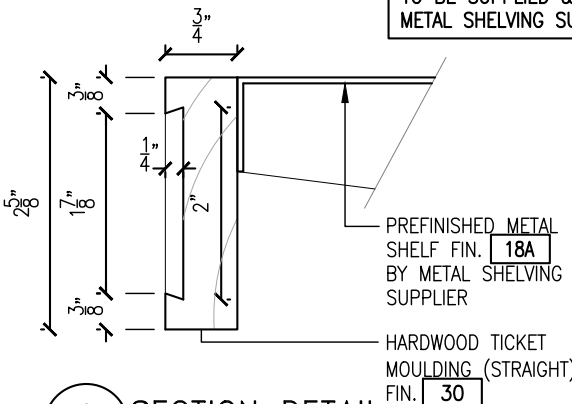
HEAVY DUTY METAL SHELVING FIN. 18A C/W STRAIGHT & ANGLED HARDWOOD TICKET MOULDINGS (TO BE SUPPLIED & INSTALLED BY METAL SHELVING SUPPLIER) FIN. 30 TO ACCOMMODATE STANDARD LCBO 1 3/4" HIGH PAPER TICKETS AT ALL SHELVES (SEE DETAIL 6 & 7, F363) ON H.D. METAL BRACKETS FIN. 18A

2'-4" (N.T.S.)
2'-3" (N.T.S.)

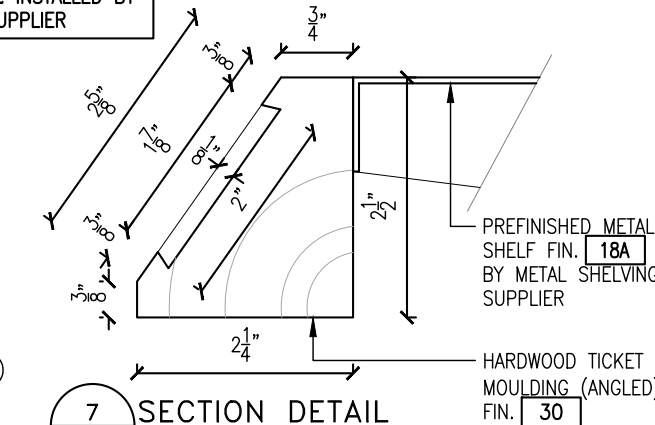


5 SECTION DETAIL
F363 SCALE: 3" = 1'-0"

NOTE: ALL WOOD TICKET MOULDING TO BE SUPPLIED & INSTALLED BY METAL SHELVING SUPPLIER



6 SECTION DETAIL
F363 SCALE: 6" = 1'-0"



7 SECTION DETAIL
F363 SCALE: 6" = 1'-0"

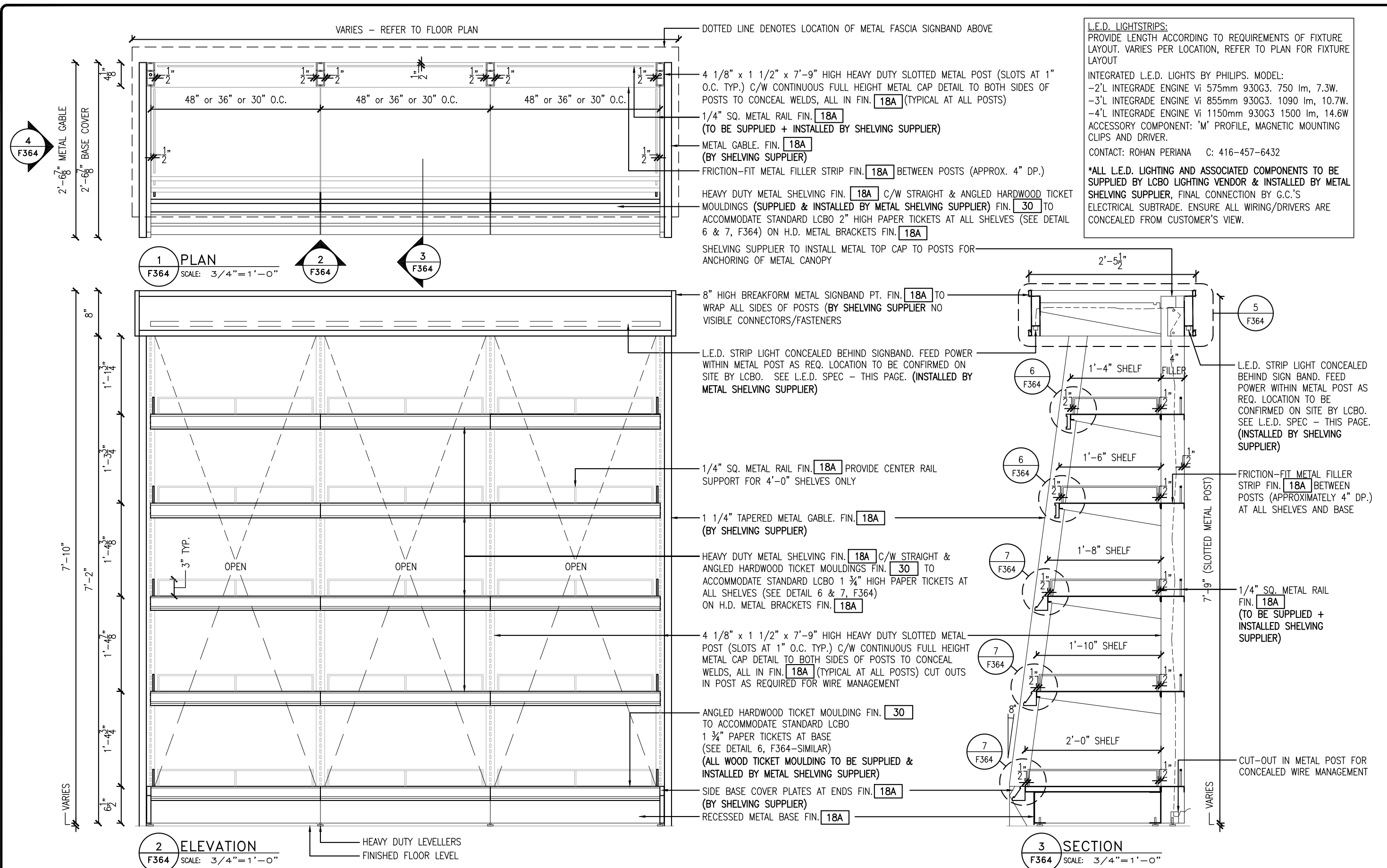
- 21" DP. METAL BRACKET W/ WELDED 3"x3" METAL FLANGE FIN. 18A (BY SHELVING SUPPLIER)
- POWER CABLE C/W PLUG TO BE ROUTED DOWN THE INSIDE OF THE POSTS. POST CUT OUTS AT TOP AND BOTTOM TO ALLOW THE CORD & PLUG TO BE PULLED THRU POST. CABLE IS TO BE LONG ENOUGH TO REACH NEAREST OUTLET. VERIFY LOCATION OF OUTLET ON SITE. CABLE TO BE BLACK
- METAL TOP CAP TO POSTS FOR ANCHORING OF CANOPY (BY SHELVING SUPPLIER)
- METAL POST TO BE SUPPLIED COMPLETE WITH 1 1/2" x 2" CUT OUTS AT TOP AND BOTTOM TO INTERIOR FACE OF OUTER POSTS
- SIGNAGE SUPPLIED & INSTALLED BY LCBO
- 8" HIGH BREAKFORM METAL SIGNBAND PT. FIN. 18A TO WRAP ALL SIDES OF POSTS (BY SHELVING SUPPLIER NO VISIBLE CONNECTORS/FASTENERS)
- 1/4" METAL REVEAL TO GIVE ALIGNMENT OF SIGNS ABOVE THROUGHOUT. CLIENT TO CONFIRM DETAIL
- 4 1/8" POST
- DOTTED LINE DENOTES POWER FEED WITHIN POST
- 4 1/8" x 1 1/2" x 7'-9" H. HEAVY DUTY SLOTTED METAL POST (SLOTS AT 1" O.C. TYP.) C/W CONTINUOUS FULL HEIGHT METAL CAP DETAIL TO BOTH SIDES OF POSTS TO CONCEAL WELDS, ALL IN FIN. 18A (TYPICAL AT ALL POSTS)

LCBO

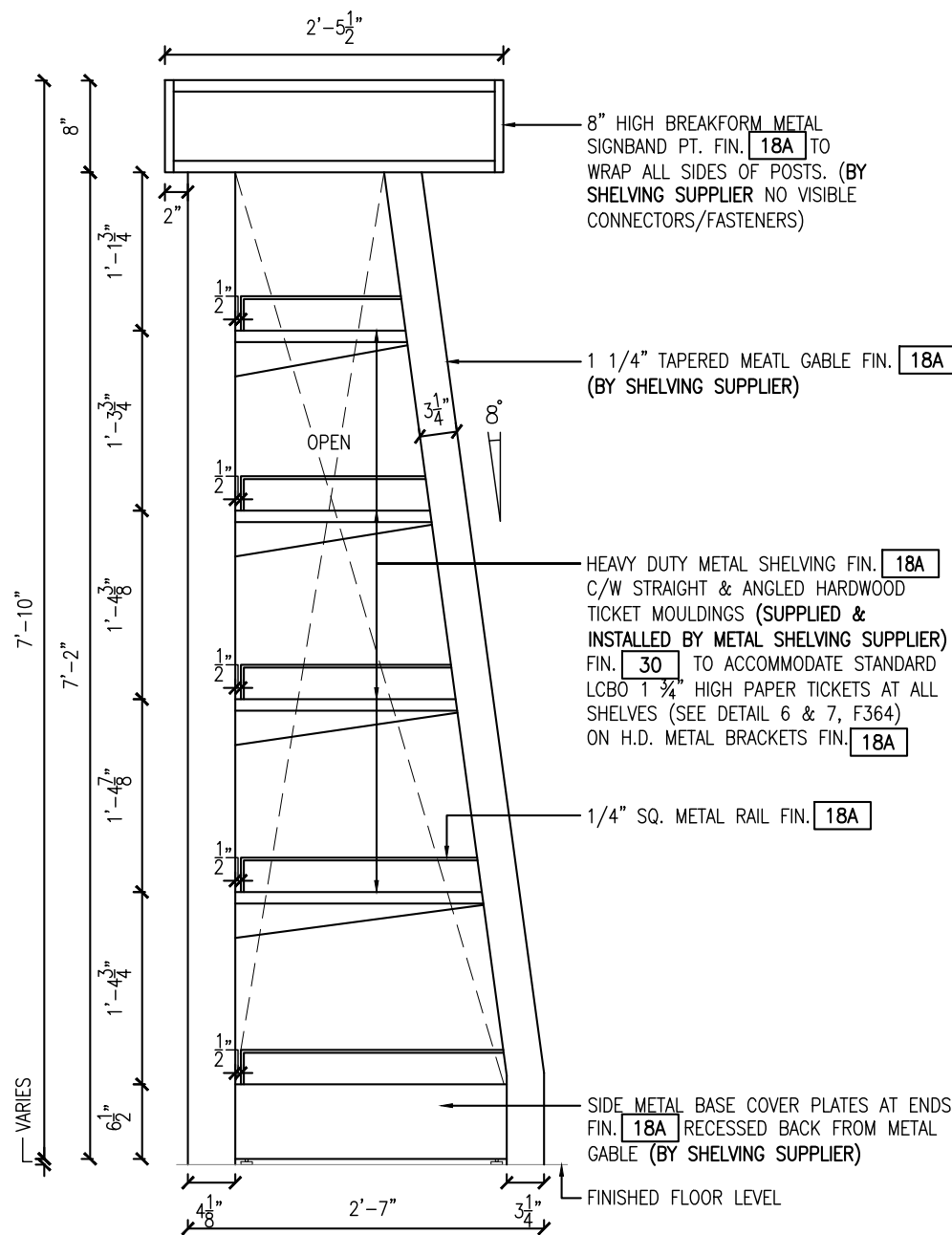
F300 - VINTAGES

D/S VINTAGES FIXTURE W/ WOOD TICKET MOULDINGS & FRONT LED CANOPY ILLUMINATION (7'-10" H.)

REVISION DATE	REV.	2 of 2	ISSUE DATE	STORE TYPE	STORE #
2021 MAR	17	F363	2021 APR		



LCBO	F300 - VINTAGES	REVISION DATE	REV.	1 of 2	ISSUE DATE	STORE TYPE	STORE #
	D/S VINTAGES FIXTURE W/ WOOD TICKET MOULDINGS & FRONT & BACK LED CANOPY ILLUMINATION (7'-10" H.)	2021 MAR	17	F364	2021 APR		



4 ELEVATION
F364 SCALE: 3/4" = 1'-0"

- GENERAL NOTES:**
1. ALL DIMENSIONS INDICATED FROM FINISH FLOOR ARE TAKEN FROM THE HIGHEST FINISHED FLOOR ELEVATION OF THAT FLOOR SYSTEM
 2. DIMENSIONS SHOWN REFLECT SHELF AND BASE DIMENSIONS ONLY AND DO NOT TAKE METAL TICKET HOLDERS INTO ACCOUNT
 3. ALL ADJUSTMENTS TO COMPENSATE FOR NON-LEVEL FLOOR SURFACES TO BE MADE AT BOTTOM END OF POST
 4. MILLWORKER TO OBTAIN SIGNAGE SAMPLE FROM LCBO PRIOR TO FABRICATION TO ENSURE PROPER FIT OF SIGNAGE INSERT
 5. G.C TO ENSURE ALL SHELVES ARE IN EXACT ALIGNMENT AND ARE TRUE AND LEVEL. PERFORATED SHELVES ARE ACCEPTABLE. SHELVES TO SUPPORT LOAD CAPACITY OF 500LBS
 6. ALL METAL WORK TO BE GROUND AND SMOOTH. NO SHARP EDGES
 7. WOOD TICKET MOULDING TO BE SUPPLIED & INSTALLED BY METAL SHELVING SUPPLIER
 8. SUPPLIED BY SHELVING SUPPLIER

NOTE:
ALL COMPONENTS SUPPLIED BY METAL SHELVING SUPPLIER INCLUDING TOP SIGNAGE CANOPY.

NOTE:
METAL SHELVING SUPPLIER TO ENSURE THAT FIXTURE IS CONSTRUCTED SO THAT LIGHT FIXTURES CAN BE SERVICED AND/OR REMOVED WITHOUT DISMANTLING FIXTURE

8" HIGH BREAKFORM METAL SIGNBAND PT. FIN. 18A TO WRAP ALL SIDES OF POSTS (BY SHELVING SUPPLIER NO VISIBLE CONNECTORS/FASTENERS)

1 1/4" TAPERED METAL GABLE FIN. 18A (BY SHELVING SUPPLIER)

HEAVY DUTY METAL SHELVING FIN. 18A C/W STRAIGHT & ANGLED HARDWOOD TICKET MOULDINGS (SUPPLIED & INSTALLED BY METAL SHELVING SUPPLIER) FIN. 30 TO ACCOMMODATE STANDARD LCBO 1 3/4" HIGH PAPER TICKETS AT ALL SHELVES (SEE DETAIL 6 & 7, F364) ON H.D. METAL BRACKETS FIN. 18A

1/4" SQ. METAL RAIL FIN. 18A

SIDE METAL BASE COVER PLATES AT ENDS FIN. 18A RECESSED BACK FROM METAL GABLE (BY SHELVING SUPPLIER)

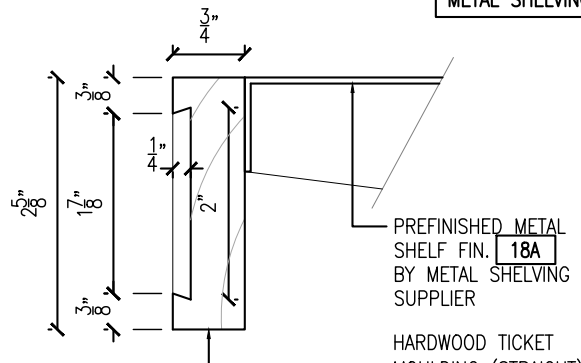
FINISHED FLOOR LEVEL

L.E.D. STRIP LIGHT CONCEALED BEHIND SIGNBAND. FEED POWER WITHIN METAL POST AS REQ. LOCATION TO BE CONFIRMED ON SITE BY LCBO. SEE L.E.D. SPEC ON PAGE 1. (SUPPLIED BY LCBO LIGHTING VENDOR AND INSTALLED BY METAL SHELVING SUPPLIER)

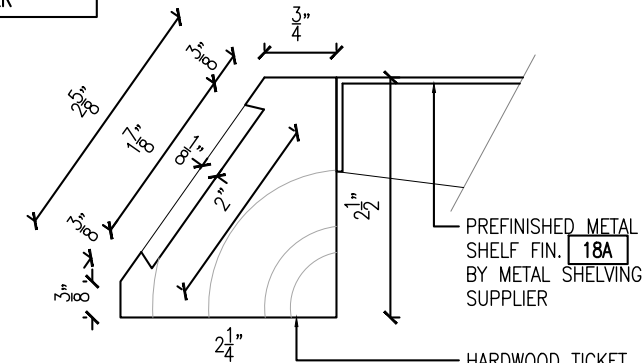
1 1/4" TAPERED METAL GABLE FIN. 18A (BY SHELVING SUPPLIER)

5 SECTION DETAIL
F364 SCALE: 3" = 1'-0"

NOTE: ALL WOOD TICKET MOULDING TO BE SUPPLIED & INSTALLED BY METAL SHELVING SUPPLIER



6 SECTION DETAIL
F364 SCALE: 6" = 1'-0"



7 SECTION DETAIL
F364 SCALE: 6" = 1'-0"

2'-5 1/2" (N.T.S.)
2'-4 1/2" (N.T.S.)

21" DP. METAL BRACKET W/ WELDED 3"x3" METAL FLANGE FIN. 18A (BY SHELVING SUPPLIER)
POWER CABLE C/W PLUG TO BE ROUTED DOWN THE INSIDE OF THE POSTS. POST CUT OUTS AT TOP AND BOTTOM TO ALLOW THE CORD & PLUG TO BE PULLED THRU POST. CABLE IS TO BE LONG ENOUGH TO REACH NEAREST OUTLET. VERIFY LOCATION OF OUTLET ON SITE. CABLE TO BE BLACK

METAL TOP CAP TO POSTS FOR ANCHORING OF CANOPY (BY SHELVING SUPPLIER)

METAL POST TO BE SUPPLIED COMPLETE WITH 1 1/2" x 2" CUT OUTS AT TOP AND BOTTOM TO INTERIOR FACE OF OUTER POSTS

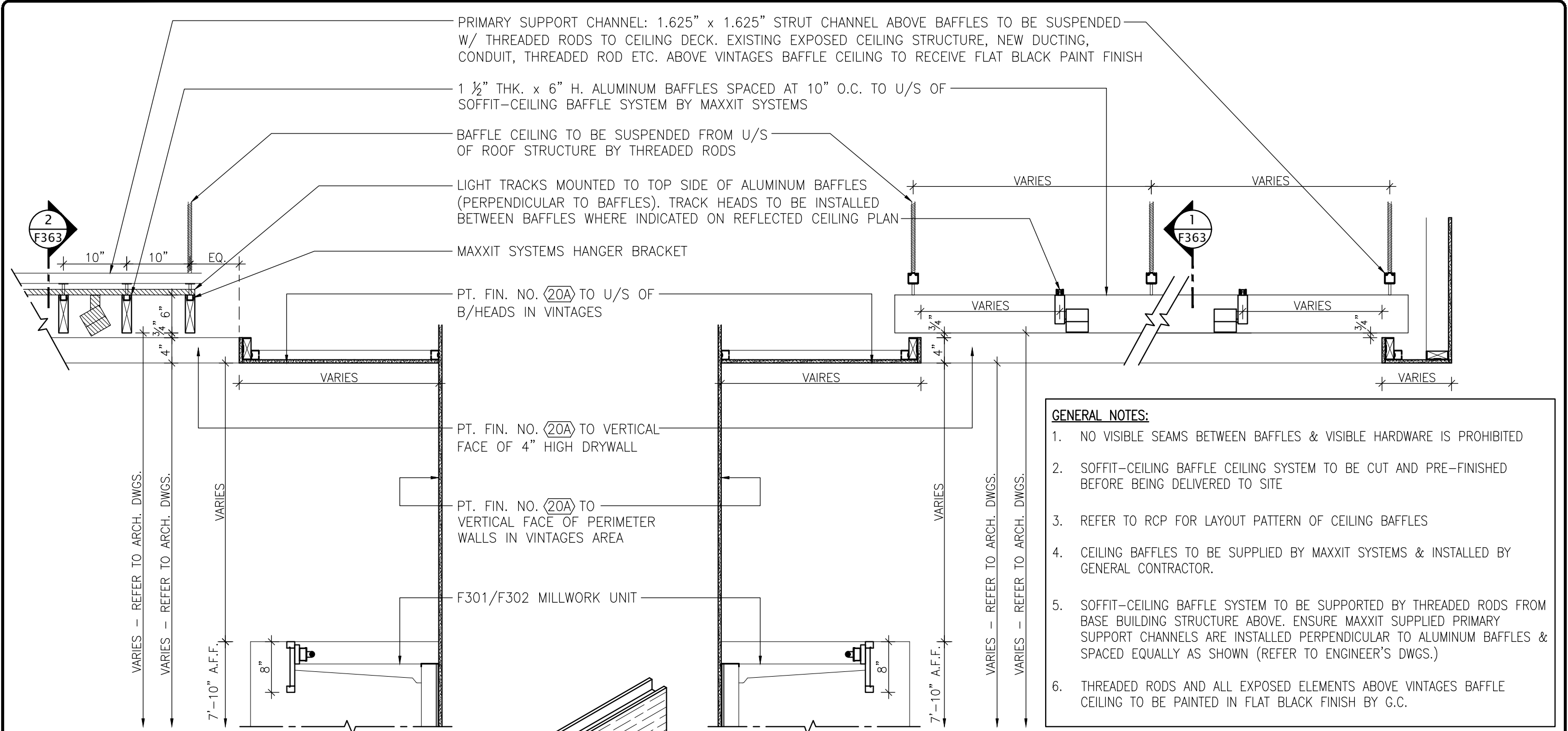
SIGNAGE SUPPLIED & INSTALLED BY LCBO

8" HIGH BREAKFORM METAL SIGNBAND PT. FIN. 18A TO WRAP ALL SIDES OF POSTS. (BY SHELVING SUPPLIER NO VISIBLE CONNECTORS/FASTENERS)

1/4" METAL REVEAL TO GIVE ALIGNMENT OF SIGNS ABOVE THROUGHOUT. CLIENT TO CONFIRM DETAIL
L.E.D. STRIP LIGHT CONCEALED BEHIND SIGNBAND. FEED POWER WITHIN METAL POST AS REQ. LOCATION TO BE CONFIRMED ON SITE BY LCBO. SEE L.E.D. SPEC ON PAGE 1. (SUPPLIED BY LCBO LIGHTING VENDOR AND INSTALLED BY METAL SHELVING SUPPLIER)

DOTTED LINE DENOTES POWER FEED WITHIN POST

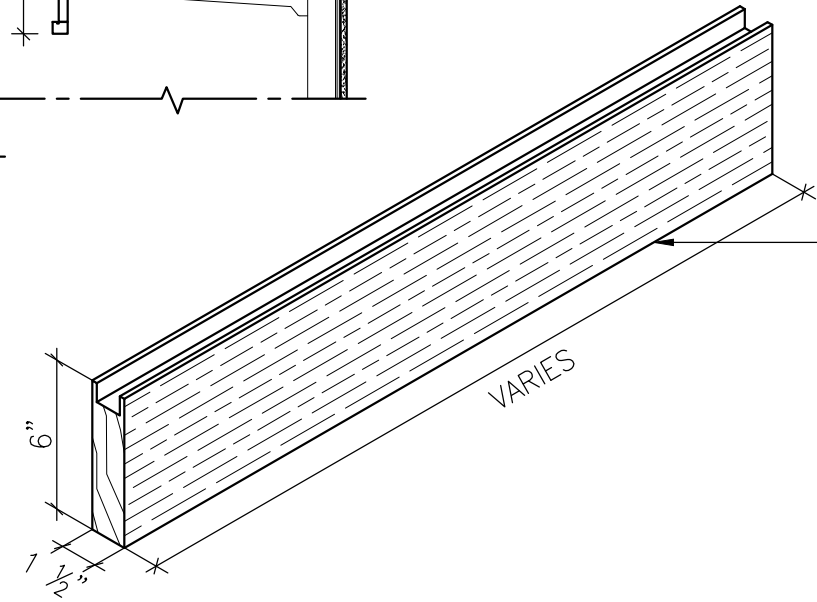
4 1/8" x 1 1/2" x 7'-9" H. HEAVY DUTY SLOTTED METAL POST (SLOTS AT 1" O.C. TYP.) C/W CONTINUOUS FULL HEIGHT METAL CAP DETAIL TO BOTH SIDES OF POSTS TO CONCEAL WELDS, ALL IN FIN. 18A (TYPICAL AT ALL POSTS)



1 SECTION DETAIL
F363 SCALE: 3/4"=1'-0"

2 SECTION DETAIL
F363 SCALE: 3/4"=1'-0"

3 TYPICAL WOOD BAFFLE
F363 SCALE: NTS



SOFFIT-CEILING BAFFLE SYSTEM:
DIMENSIONS: 1 1/2" x 6"
(LENGTH VARIES - REFER TO ARCH. DWGS.)
FINISH: SUBLIMATED METAL FINISH
COLOUR: CUSTOM TO MATCH FIN. (32)
BY MAXXIT SYSTEMS

- GENERAL NOTES:**
1. NO VISIBLE SEAMS BETWEEN BAFFLES & VISIBLE HARDWARE IS PROHIBITED
 2. SOFFIT-CEILING BAFFLE CEILING SYSTEM TO BE CUT AND PRE-FINISHED BEFORE BEING DELIVERED TO SITE
 3. REFER TO RCP FOR LAYOUT PATTERN OF CEILING BAFFLES
 4. CEILING BAFFLES TO BE SUPPLIED BY MAXXIT SYSTEMS & INSTALLED BY GENERAL CONTRACTOR.
 5. SOFFIT-CEILING BAFFLE SYSTEM TO BE SUPPORTED BY THREADED RODS FROM BASE BUILDING STRUCTURE ABOVE. ENSURE MAXXIT SUPPLIED PRIMARY SUPPORT CHANNELS ARE INSTALLED PERPENDICULAR TO ALUMINUM BAFFLES & SPACED EQUALLY AS SHOWN (REFER TO ENGINEER'S DWGS.)
 6. THREADED RODS AND ALL EXPOSED ELEMENTS ABOVE VINTAGES BAFFLE CEILING TO BE PAINTED IN FLAT BLACK FINISH BY G.C.

LCBO	300 VINTAGES	REVISION DATE	REV.	1 of 1	ISSUE DATE	STORE TYPE	STORE #
	VINTAGES BAFFLE CEILING DETAIL	2019 APR	16	F365	2021 APR		

OUR WINE COUNTRY ONTARIO SUPPLEMENTAL FINISHES SCHEDULE

NO.	MAT'L	COLOUR	DESCRIPTION	SOURCE	COMMENTS	LOCATION
A	PORCELAIN TILE	WEATHERED WOOD TONES	'TIMBER' PORCELAIN SIZE: 6" x 36" (W/O GRAFFITI)	METTRO SOURCE CONTACT: SEAN O'NEIL or MYRIAM VELASQUEZ TEL: (416) 913-1722	SUBMIT SAMPLE FOR APPROVAL	'OUR WINE COUNTRY ONTARIO' FLOOR TILE
B	WOOD BEAMS	MEDIUM BROWN	1 1/2" X 8" ROUGH SAWN PINE C/W MINIWAX 'EARLY AMERICAN' & SEALER COAT	LAMINART CONTACT: GAIL CALLUORI TEL: (905) 636-0750 ECHO WOOD SAMPLE TO BE OBTAINED FROM FIORINO DESIGN INC. (416) 929-7140	SUBMIT SAMPLE FOR APPROVAL	'OUR WINE COUNTRY ONTARIO' SUSPENDED WOOD BAFFLE CEILING
C	MELAMINE	LIGHT OAK	MERCURY WOOD PRODUCTS COLOUR: #03 'FRATI' SIZE: 7'-0" X 9'-0" MELAMINE ON 3/4" MDF FINISH: MEDUSA	MERCURY WOOD PRODUCTS CONTACT: KEVIN HUMPHRIES TEL: (416) 747-1163	SUBMIT SAMPLE FOR APPROVAL	'OUR WINE COUNTRY ONTARIO' MILLWORK
D	QUARTZ SURFACE	MEDIUM GREY	CAESARSTONE BY CIOT COLOUR: #4030 'STONE GREY'	CIOT CONTACT: AMBROSE PRICE TEL: (416) 998-8060	SUBMIT SAMPLE FOR APPROVAL	'OUR WINE COUNTRY ONTARIO' TASTING BAR COUNTER
E	PLASTIC LAMINATE	OFF WHITE	LAMINART COLOUR: #2422-T PORCELAIN TEXTURED FINISH	LAMINART CONTACT: GAIL CALLUORI TEL: (905) 636-0750	SUBMIT SAMPLE FOR APPROVAL	'OUR WINE COUNTRY ONTARIO' MILLWORK
F	PAINT	LIGHT PUTTY	PRODUCT: BEN #K625 ACRYLIC INT LATEX COLOUR: #OC-47 'ASHWOOD' FINISH: FLAT	BENJAMIN MOORE CO. LTD. 7070 MISSISSAUGA ROAD, SUITE 100 MISSISSAUGA, ONT., L5N 7G2 TEL: (905) 813-3700	LEED INITIATIVE	'OUR WINE COUNTRY ONTARIO' CEILING
G	PAINT	MEDIUM PUTTY	PRODUCT: BEN #K625 ACRYLIC INT LATEX COLOUR: #OC-48 'HAZY SKIES' FINISH: EGGSHELL	BENJAMIN MOORE CO. LTD. 7070 MISSISSAUGA ROAD, SUITE 100 MISSISSAUGA, ONT., L5N 7G2 TEL: (905) 813-3700	LEED INITIATIVE	'OUR WINE COUNTRY ONTARIO' PARTITIONS
H	WOOD	WHITE OAK	RIFT-CUT HARDWOOD WHITE OAK FINISH		SUBMIT SAMPLE FOR APPROVAL	'OUR WINE COUNTRY ONTARIO' MILLWORK

LCBO

400 OUR WINE COUNTRY ONTARIO

OUR WINE COUNTRY ONTARIO SUPPLEMENTAL FINISHES SCHEDULE

REVISION
DATE
2015
MAR23

REV.
12

1 of 1
F400

ISSUE
DATE
2021
APR

STORE
TYPE

STORE #

VERTICAL END RIFT-CUT OAK GABLE & FASCIA TO MATCH FIN. (C) END GABLES TO RECEIVE 4 1/2" HIGH STAINLESS STEEL CORNER GUARD FIN. NO. (55)

NOTE: SOLID WOOD GRADE TO BE FAS

VERTICAL END RIFT-CUT OAK GABLE & FASCIA TO MATCH FIN. (C) END GABLES TO RECEIVE 4 1/2" HIGH STAINLESS STEEL CORNER GUARD FIN. NO. (55)

NOTE: ALL CEILING COMPONENTS ABOVE WOOD BAFFLE CEILING TO RECEIVE MATTE BLACK PAINT FINISH

HEAVY DUTY METAL SHELVING C/W RIFT-CUT OAK TICKET MOULDINGS TO MATCH FIN. NO. (C) TO ACCOMMODATE 2" HIGH LCBO PAPER TICKETS (SEE DETAIL 4 & 5) ON H.D. METAL BRACKETS ALL IN FIN. NO. (17)

DOTTED LINE OF RIFT-CUT FASCIA PANEL ABOVE TO MATCH FIN. (C) W/ CONCEALED T5 LIGHTING SUPPLIED & INSTALLED BY G.C.'S ELECTRICAL SUBTRADE

NOTE: MOCK-UP REQUIRED PRIOR TO COMPLETION OF FABRICATION

WOOD BAFFLE CEILING ABOVE FIN. (B) (SITE SPECIFIC - REFER TO ARCH DWGS.)

UNDERSIDE OF PERIMETER DRYWALL CEILING PT. FIN. (F)

FACE OF DRYWALL COVE PT. FIN. NO. (F)

P. LAM. FASCIA PANEL FIN. NO. (09A) SUPPLIED & INSTALLED BY MILLWORK CONTRACTOR

48" METAL TOP CAP FIN. NO. (17)

12"-14" HIGH SINTRA LETTERING. G.C. TO SUPPLY & INSTALL (G.C. TO OBTAIN ARTWORK FROM LCBO DIRECTLY)

WALL ATTACHMENT CROSSBAR BEYOND, SEE DETAIL 6 THIS PAGE

RIFT-CUT OAK FASCIA PANEL TO MATCH FIN. (C) W/ CONCEALED T5 LIGHTING SUPPLIED & INSTALLED BY G.C.'S ELECTRICAL SUBTRADE

FRICTION-FIT METAL FILLER STRIP FIN. (17) BETWEEN POSTS (APPROX. 2 1/4" DP.) AT ALL SHELVES & BASE

HEAVY DUTY METAL SHELVING C/W STRAIGHT RIFT-CUT OAK TICKET MOULDINGS FIN. NO. (C) TO ACCOMMODATE 2" HIGH LCBO PAPER TICKETS (SEE DETAIL) ON H.D. METAL BRACKETS ALL IN FIN. NO. (17)

VERTICAL CATEGORY SIGN ITEM NO. F406 W/ 1/2" METAL FRAME FIN. NO. (24) (ENSURE NO SHARP EDGES)

HEAVY DUTY METAL SHELVING C/W ANGLED RIFT-CUT OAK TICKET MOULDINGS FIN. NO. (C) TO ACCOMMODATE 2" HIGH LCBO PAPER TICKETS (SEE DETAIL 5) ON H.D. METAL BRACKETS ALL IN FIN. NO. (17)

FULL HEIGHT MASONITE BACK PANEL BETWEEN POSTS TO MATCH FIN. (E) LOCATED AT REAR EDGE OF POSTS IN ORDER TO MAXIMIZE PRODUCT CAPACITY (BY METAL SHELVING SUPPLIER)

RECESSED METAL BASE FIN. (17)

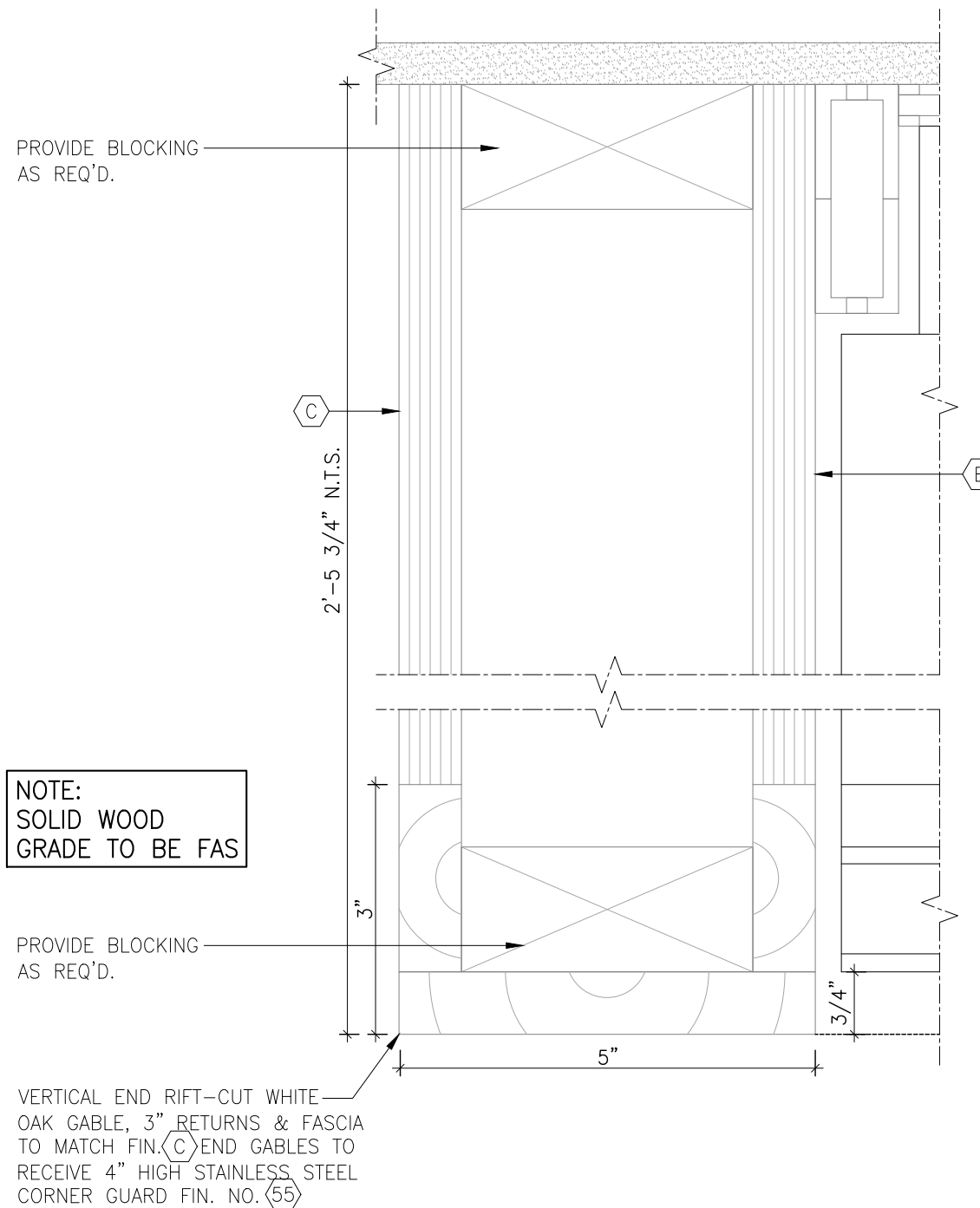
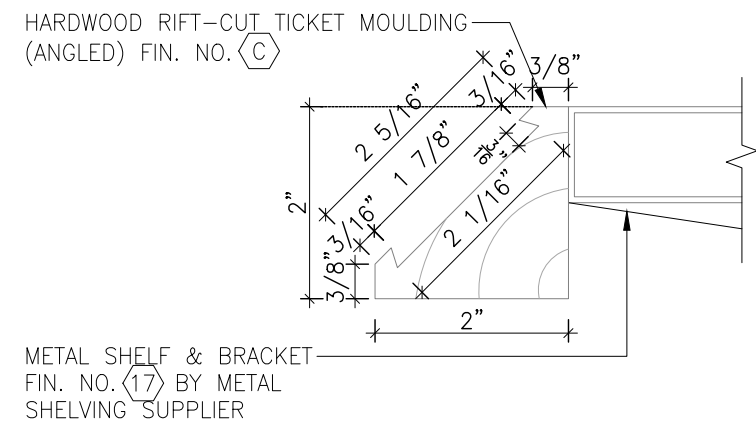
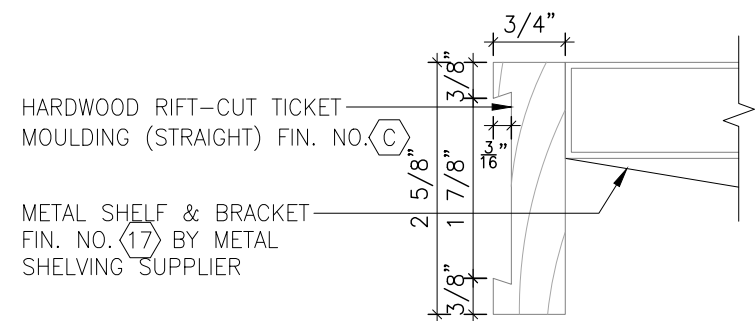
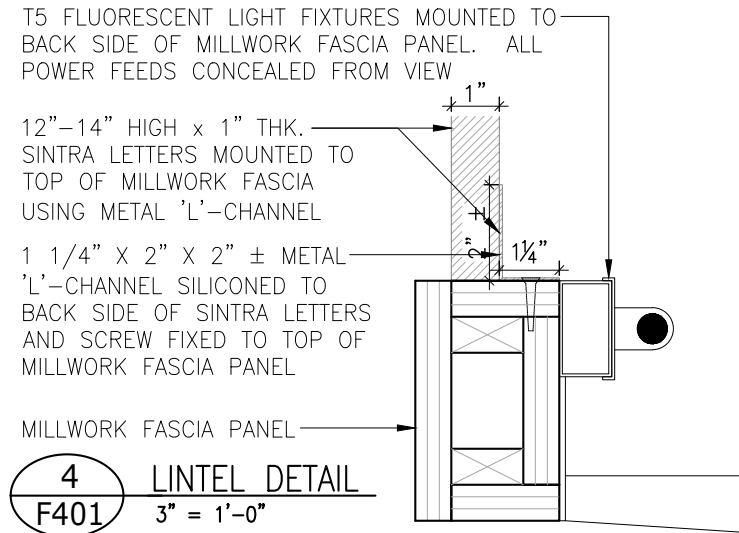
HEAVY DUTY LEVELLERS

1 PLAN F401 3/4" = 1'-0"

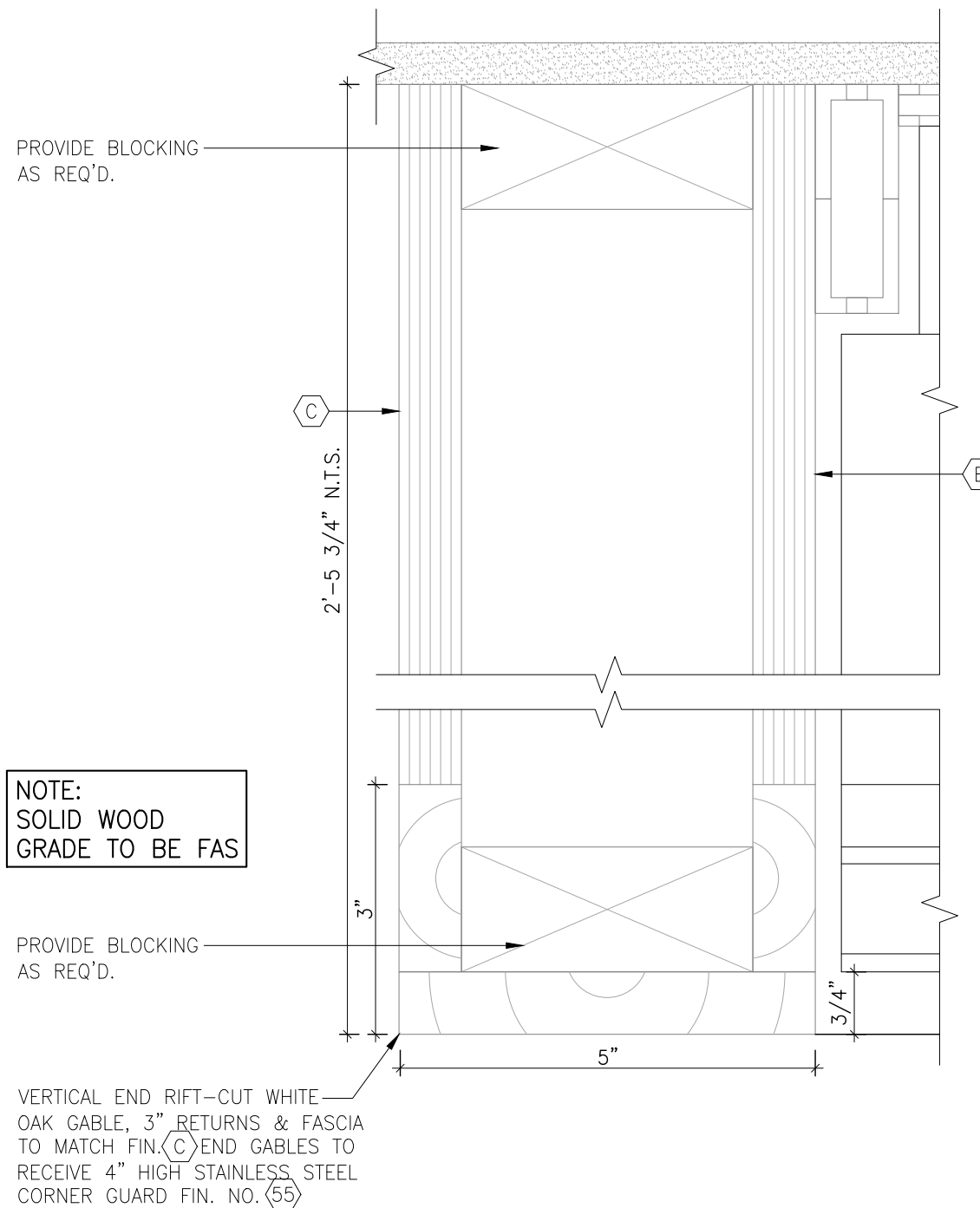
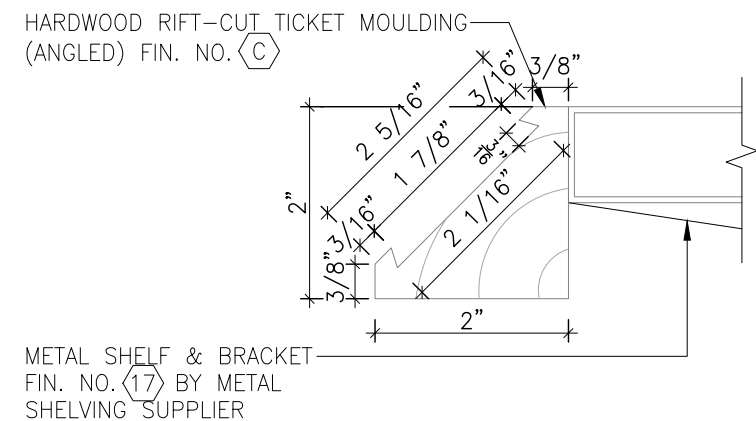
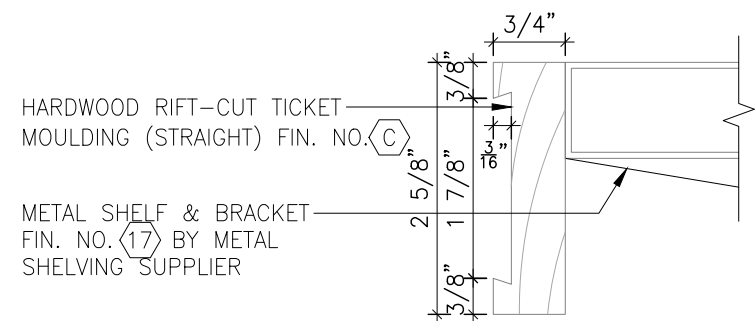
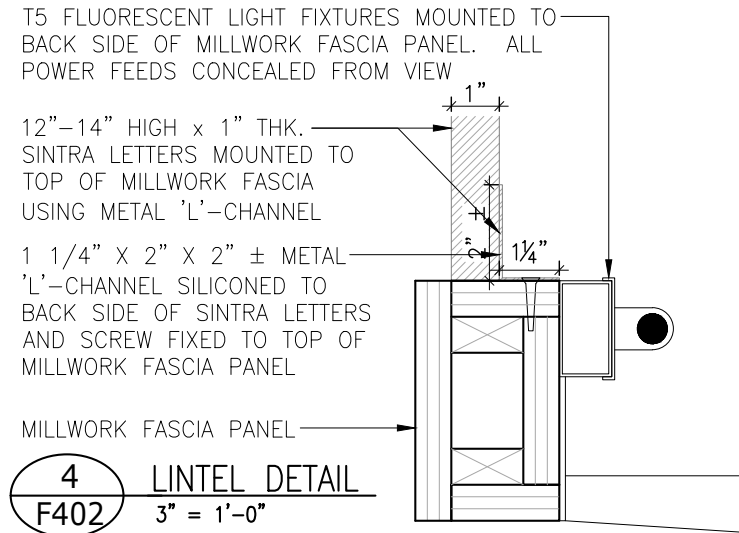
2 ELEVATION F401 1/2" = 1'-0"

3 SECTION F401 1/2" = 1'-0"

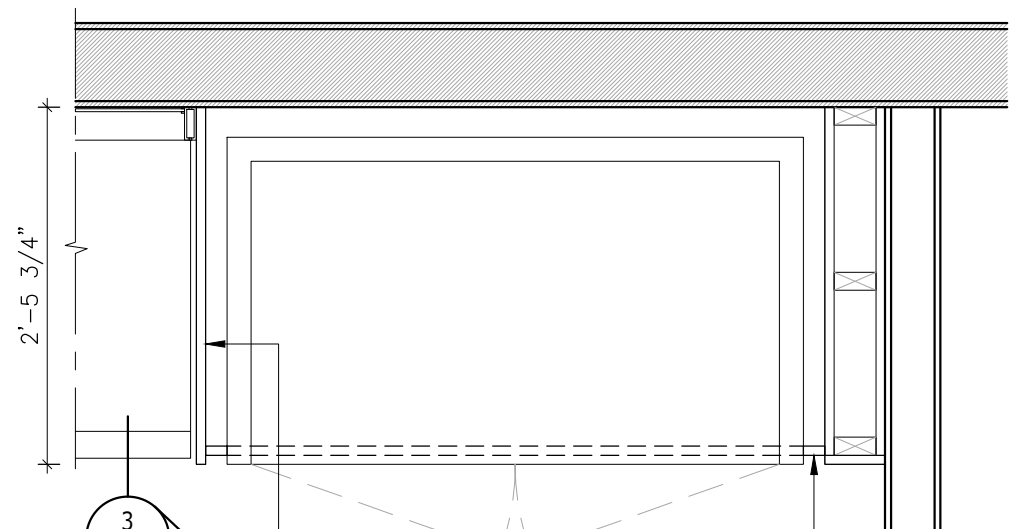
LCBO	400 OUR WINE COUNTRY ONTARIO	REVISION DATE	REV.	1 of 2	ISSUE DATE	STORE TYPE	STORE #
	OUR WINE COUNTRY ONTARIO 4'-0" METAL SHELVING	2017 NOV	15	F401	2021 APR		



LCBO	400 OUR WINE COUNTRY ONTARIO	REVISION DATE	REV.	2 of 2	ISSUE DATE	STORE TYPE	STORE #
	OUR WINE COUNTRY ONTARIO 4'-0" METAL SHELVING	2017 NOV	15	F401	2021 APR		



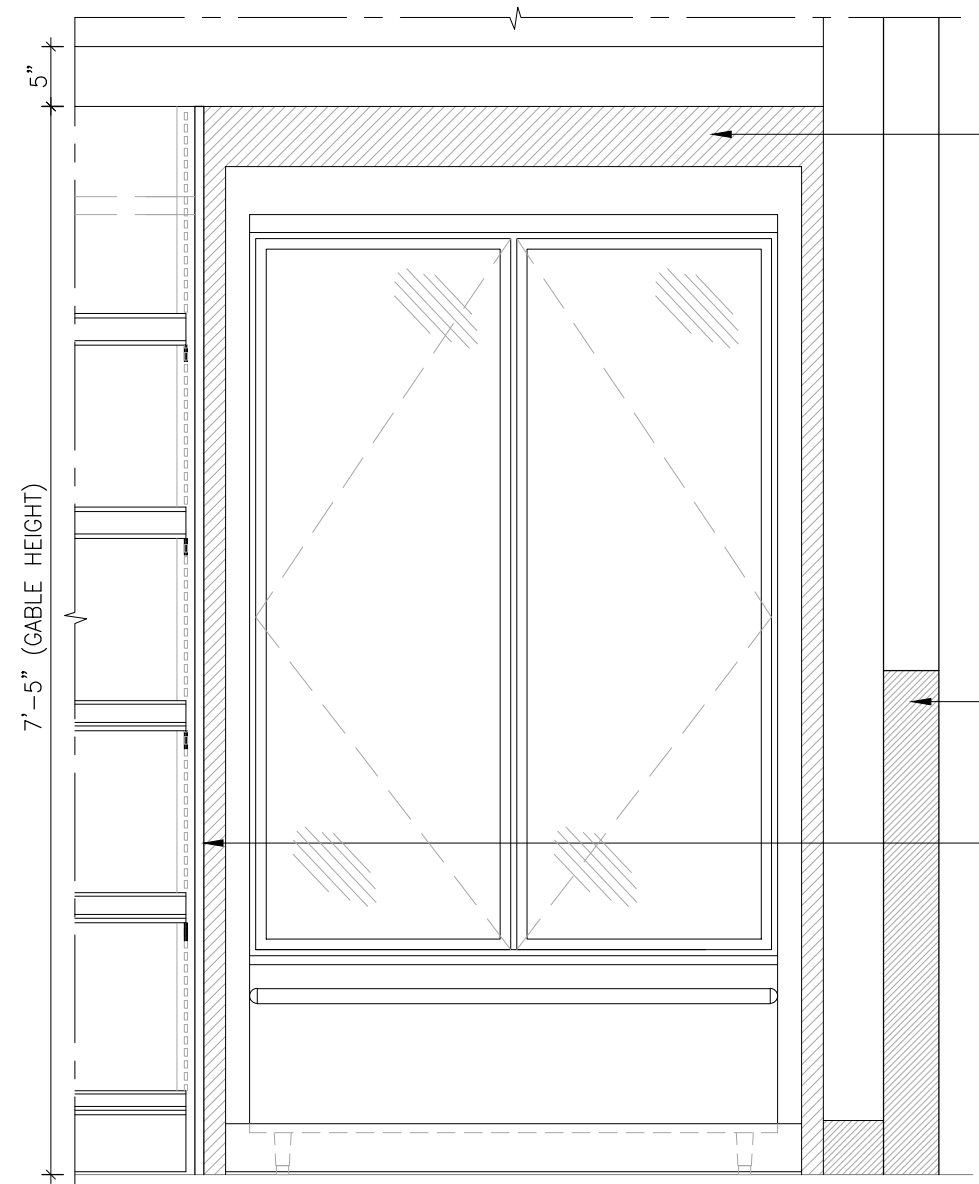
LCBO	400 OUR WINE COUNTRY ONTARIO	REVISION DATE	REV.	2 of 2	ISSUE DATE	STORE TYPE	STORE #
	OUR WINE COUNTRY ONTARIO 3'-0" METAL SHELVING	2017 NOV	15	F402	2021 APR		



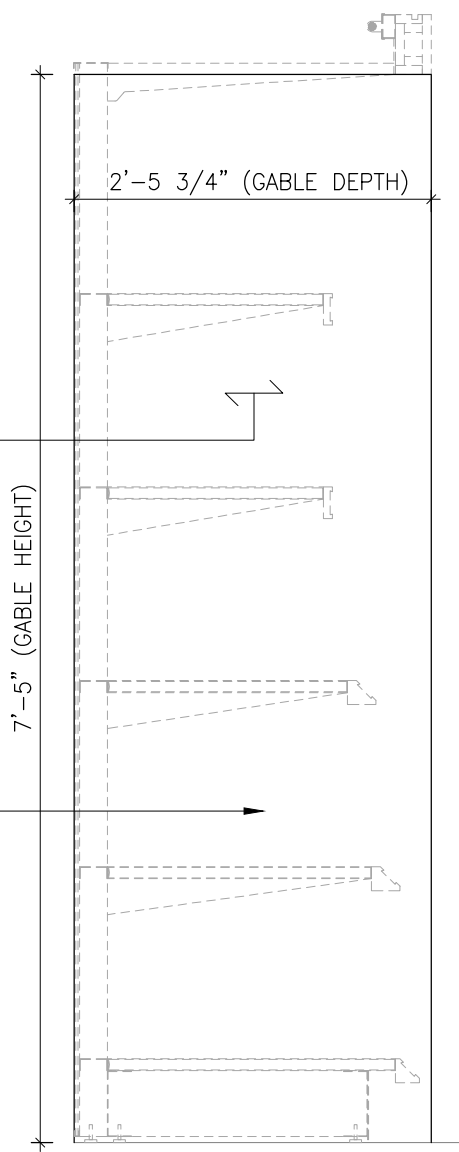
RECESSED FILLER PANEL
AROUND PERIMETER OF
WINE FRIDGE FIN. NO. (04)

TYPICAL F403 3/4" PLY CORE
END GABLE SECURED TO METAL
SHELVING UNITS FINISH NO. (C)
TO ALL SIDES, ALL CONNECTIONS
TO BE CONCEALED

1 PLAN
F403 3/4" = 1'-0"

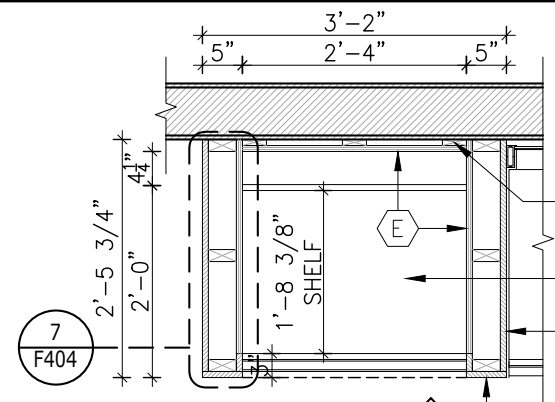


2 ELEVATION
F403 3/4" = 1'-0"



3 SECTION
F403 3/4" = 1'-0"

LCBO	400 OUR WINE COUNTRY ONTARIO	REVISION DATE	REV.	1 of 1	ISSUE DATE	STORE TYPE	STORE #
	OUR WINE COUNTRY ONTARIO GABLE/FILLER PANEL	2015 MAR23	12	F403	2021 APR		



1 PLAN
F404 1/2" = 1'-0"

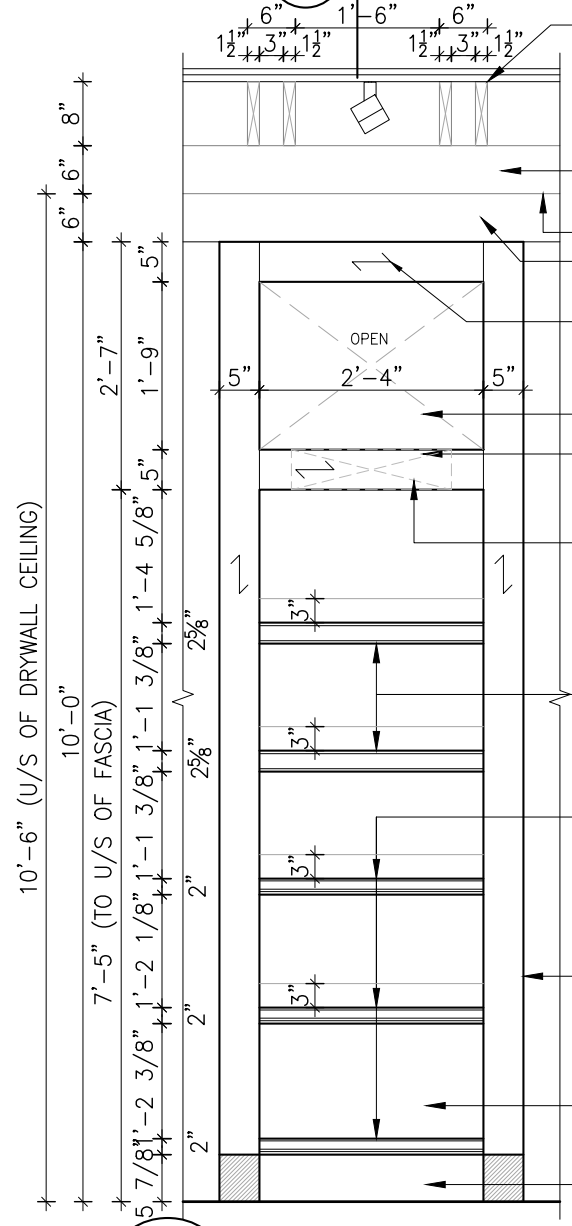
NOTE:
ALL CEILING COMPONENTS ABOVE
WOOD BAFFLE CEILING TO RECEIVE
MATTE BLACK PAINT FINISH

PROVIDE BLOCKING AS REQ'D.

FIXED SHELVES FIN. NO. (01) W/ RIFT-CUT OAK
TICKET MOULDINGS TO MATCH FIN. (C) & 3" H.
P. LAM. BACKSTOP FIN. NO. (01) W/ CONCEALED
LED LIGHTING TO BACK SIDE OF SHELF BY
MILLWORK CONTRACTOR. REFER TO RCP LEGEND

VERTICAL RIFT-CUT OAK END GABLE FIN. (C)
W/ 4" HIGH STAINLESS STEEL CORNER
GUARD FIN. NO. (55)

NOTE:
SOLID WOOD
GRADE TO BE FAS



2 ELEVATION
F404 1/2" = 1'-0"

WOOD BAFFLE CEILING ABOVE FIN. (B)
(SITE SPECIFIC - REFER TO ARCH DWGS.)

FACE & U/S OF DRYWALL
COVE PT. FIN. NO. (F)

P. LAM. FASCIA PANEL FIN. NO. (09A) SUPPLIED &
INSTALLED BY MILLWORK CONTRACTOR

RIFT-CUT OAK FASCIA PANEL TO MATCH FIN. (C) W/
CONCEALED T5 LIGHTING SUPPLIED & INSTALLED BY
G.C.'S ELECTRICAL SUBTRADE

P. LAM. BACK PANEL FIN. (E)

RIFT-CUT OAK FASCIA PANEL TO MATCH FIN. (C) W/
CONCEALED T5 LIGHTING SUPPLIED & INSTALLED BY
G.C.'S ELECTRICAL SUBTRADE

DOTTED LINES OF VELCRO CATEGORY SIGNAGE
SUPPLIED BY LCBO (TO BE CONFIRMED)

3/8" RECESSED SANDBLASTED TEMPERED
GLASS SHELF ON RUBBER CUSHIONS

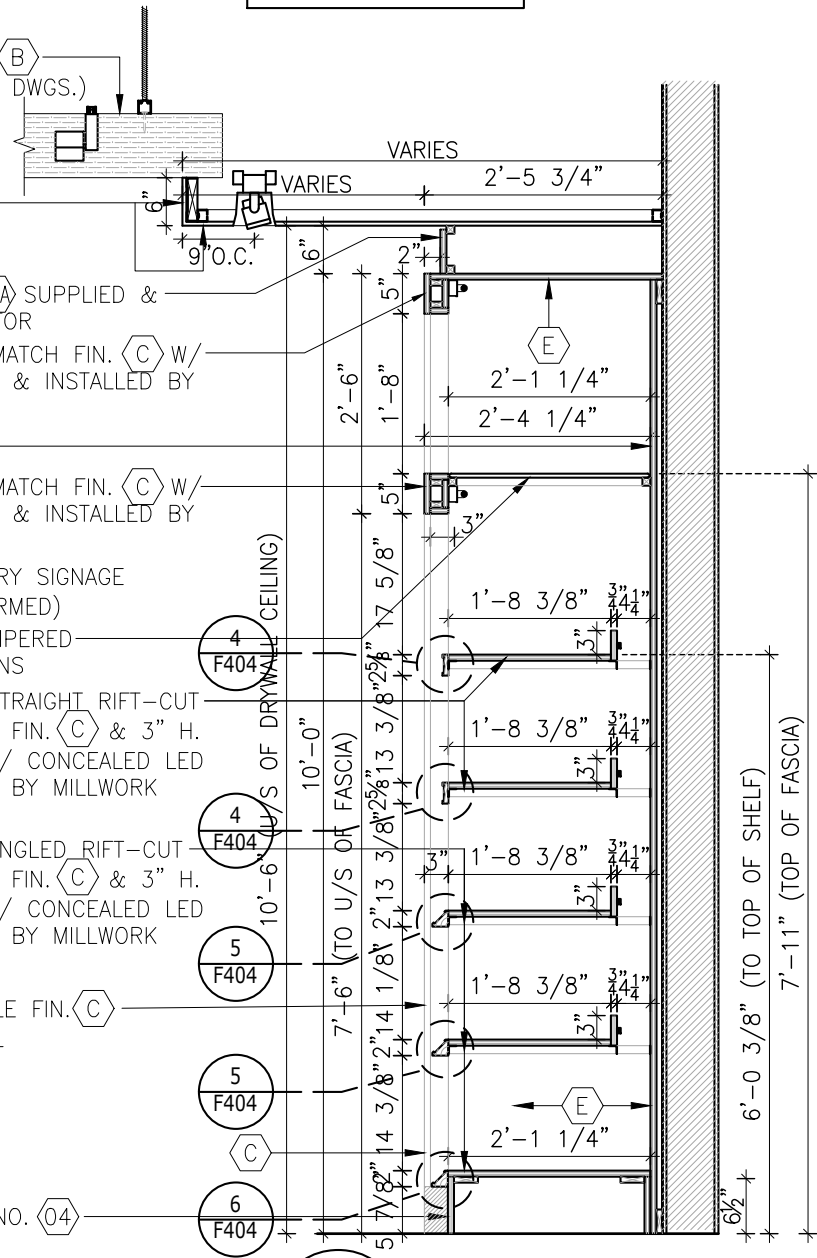
FIXED SHELVES FIN. NO. (01) W/ STRAIGHT RIFT-CUT
OAK TICKET MOULDINGS TO MATCH FIN. (C) & 3" H.
P. LAM. BACKSTOP FIN. NO. (01) W/ CONCEALED LED
LIGHTING TO BACK SIDE OF SHELF BY MILLWORK
CONTRACTOR

FIXED SHELVES FIN. NO. (01) W/ ANGLED RIFT-CUT
OAK TICKET MOULDINGS TO MATCH FIN. (C) & 3" H.
P. LAM. BACKSTOP FIN. NO. (01) W/ CONCEALED LED
LIGHTING TO BACK SIDE OF SHELF BY MILLWORK
CONTRACTOR

VERTICAL RIFT-CUT OAK END GABLE FIN. (C)
W/ 4 1/2" HIGH STAINLESS STEEL
CORNER GUARD FIN. NO. (55)

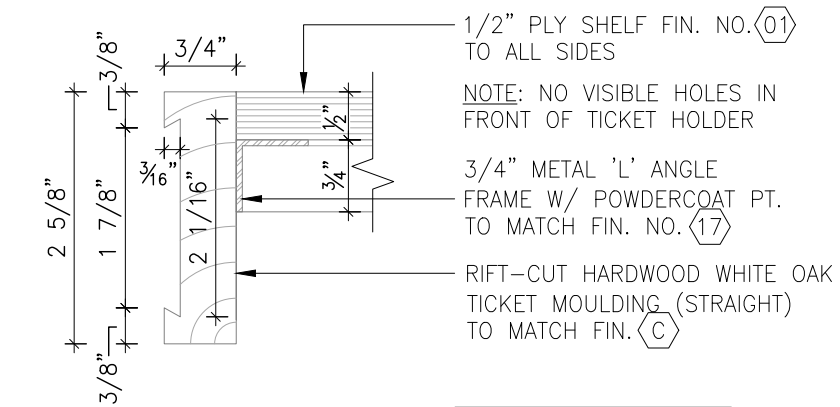
BACK PANEL FIN. NO. (E)

4 1/2" HIGH P. LAM. BASE FIN. NO. (04)



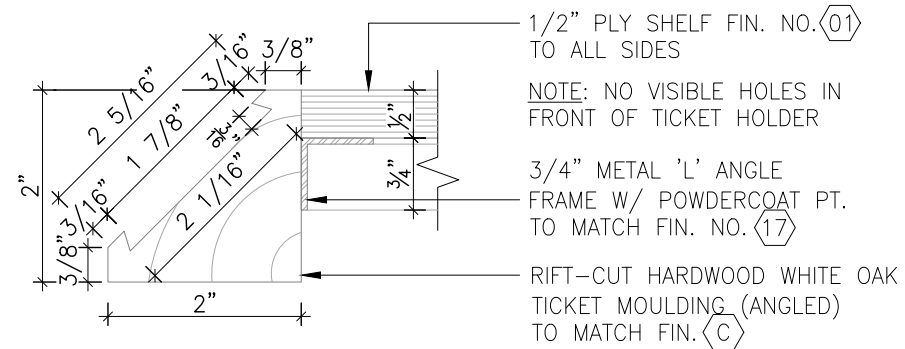
3 SECTION
F404 1/2" = 1'-0"

LCBO	400 OUR WINE COUNTRY ONTARIO		REVISION DATE	REV.	1 of 2	ISSUE DATE	STORE TYPE	STORE #
	ICEWINE/WINE FEATURE		2017 NOV	15	F404	2021 APR		

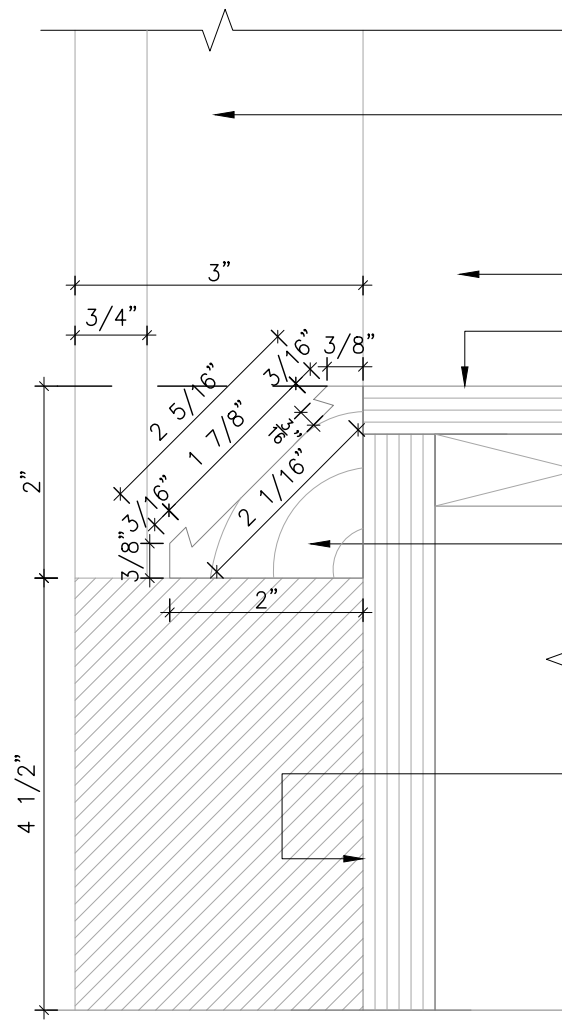


4 SECTION-DETAIL
F404 6" = 1'-0"

NOTE:
SOLID WOOD
GRADE TO BE FAS



5 SECTION-DETAIL
F404 6" = 1'-0"



6 DETAIL
F404 6" = 1'-0"

PROVIDE BLOCKING
AS REQ'D.

VERTICAL END RIFT-CUT WHITE
OAK GABLE & FASCIA TO MATCH
FIN. C END GABLES TO RECEIVE
4 1/2" HIGH STAINLESS STEEL
CORNER GUARD FIN. NO. 55

P. LAM. FIN. E

3/4" PLY SHELF FIN. NO. 01

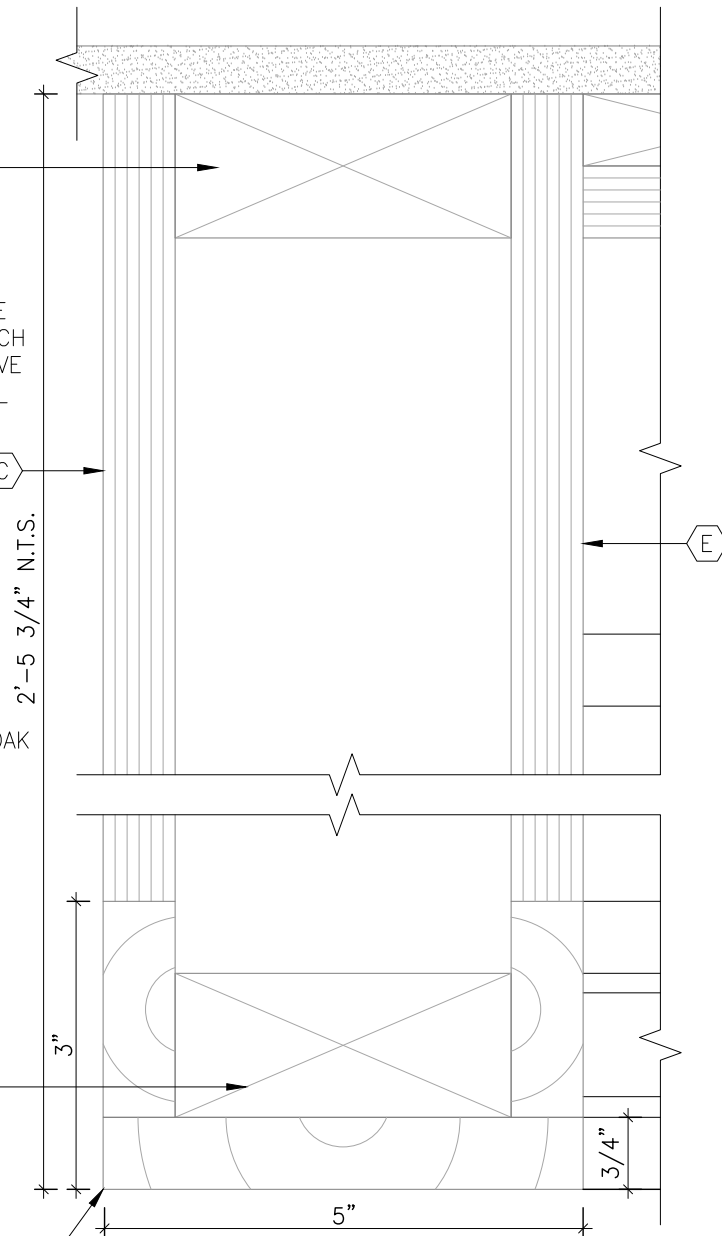
NOTE: NO VISIBLE HOLES IN
FRONT OF TICKET HOLDER

RIFT-CUT HARDWOOD WHITE OAK
TICKET MOULDING (ANGLED)
TO MATCH FIN. C

4 1/2" HIGH RECESSED
BASE W/ FIN. NO. 04

PROVIDE BLOCKING
AS REQ'D.

VERTICAL END RIFT-CUT WHITE
OAK GABLE, 3" RETURNS & FASCIA
TO MATCH FIN. C END GABLES TO
RECEIVE 4" HIGH STAINLESS STEEL
CORNER GUARD FIN. NO. 55

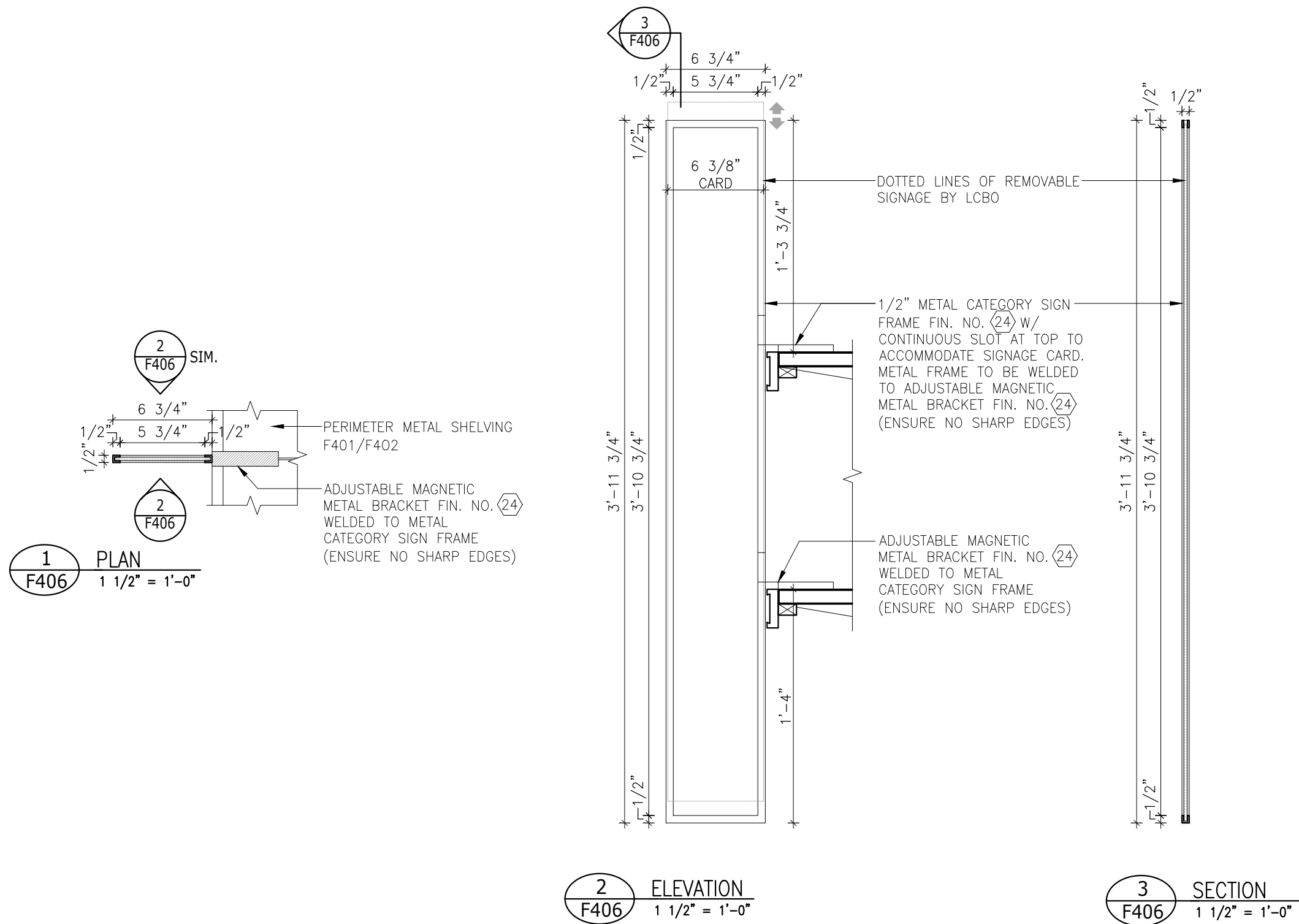


7 DETAIL
F404 6" = 1'-0"

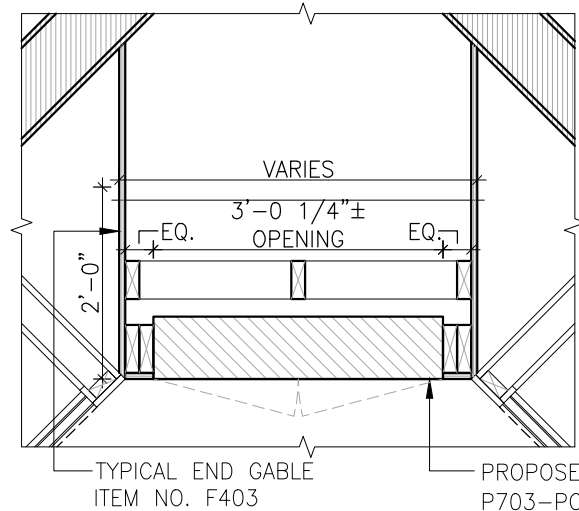
LCBO	400 OUR WINE COUNTRY ONTARIO	REVISION DATE	REV.	2 of 2	ISSUE DATE	STORE TYPE	STORE #
	ICEWINE/WINE FEATURE	2017 NOV	15	F404	2021 APR		

RESERVED

LCBO	400 OUR WINE COUNTRY ONTARIO	REVISION DATE	REV.	1 of 1	ISSUE DATE	STORE TYPE	STORE #
		2015 MAR23	12	F405	2021 APR		



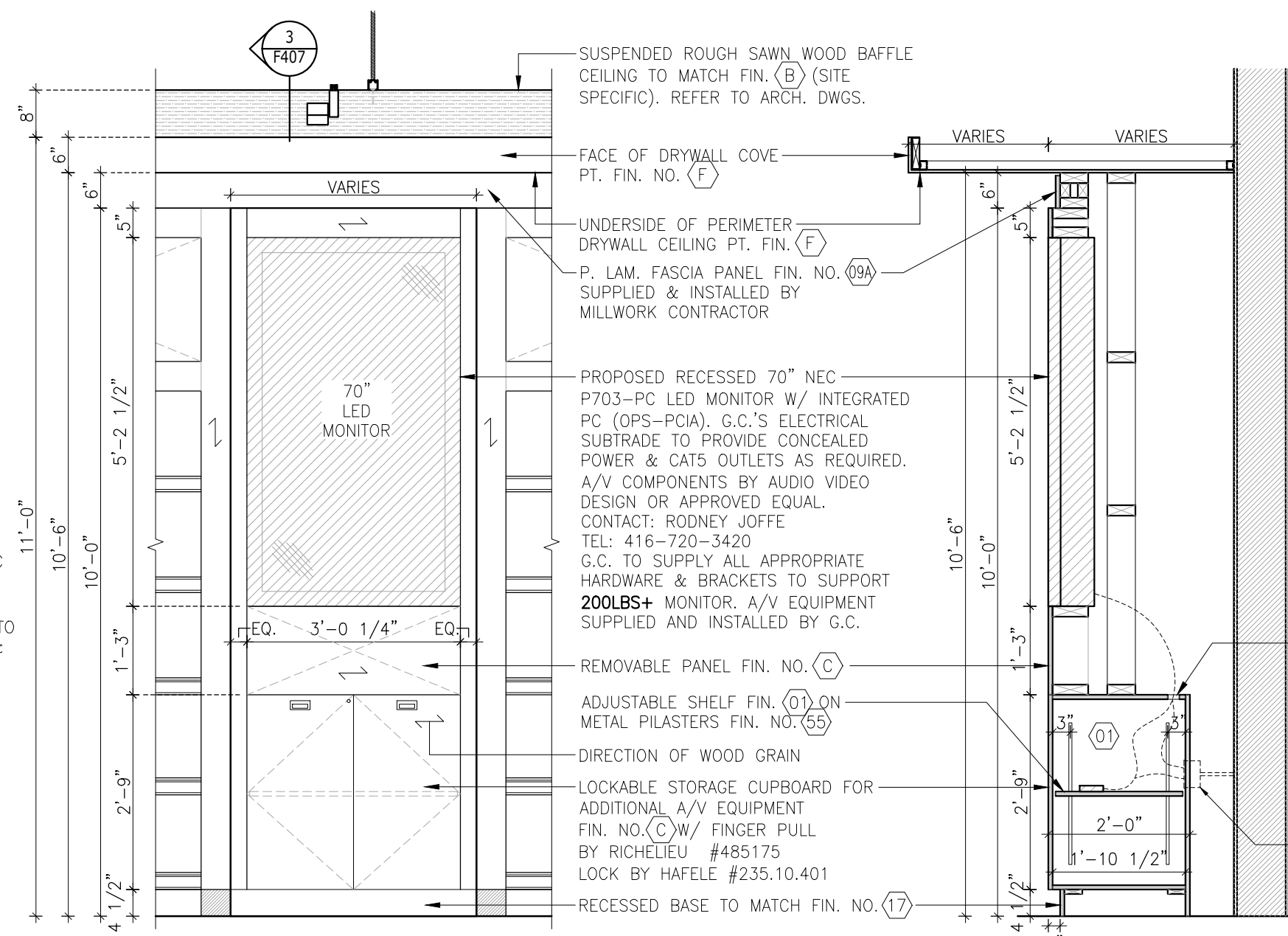
LCBO	400 OUR WINE COUNTRY ONTARIO	REVISION DATE	REV.	1 of 1	ISSUE DATE	STORE TYPE	STORE #
	OUR WINE COUNTRY ONTARIO PERIMETER METAL CATEGORY SIGN	2015 MAR23	12	F406	2021 APR		



2
F407

PROPOSED RECESSED 70" NEC P703-PC LED MONITOR W/ INTEGRATED PC (OPS-PCIA). G.C.'S ELECTRICAL SUBTRADE TO PROVIDE CONCEALED POWER & CAT5 OUTLETS AS REQUIRED. A/V COMPONENTS BY AUDIO VIDEO DESIGN OR APPROVED EQUAL. CONTACT: RODNEY JOFFE TEL: 416-720-3420 G.C. TO SUPPLY ALL APPROPRIATE HARDWARE & BRACKETS TO SUPPORT 200LBS+ MONITOR. A/V EQUIPMENT SUPPLIED AND INSTALLED BY G.C.

1 PLAN
F407 1/2" = 1'-0"

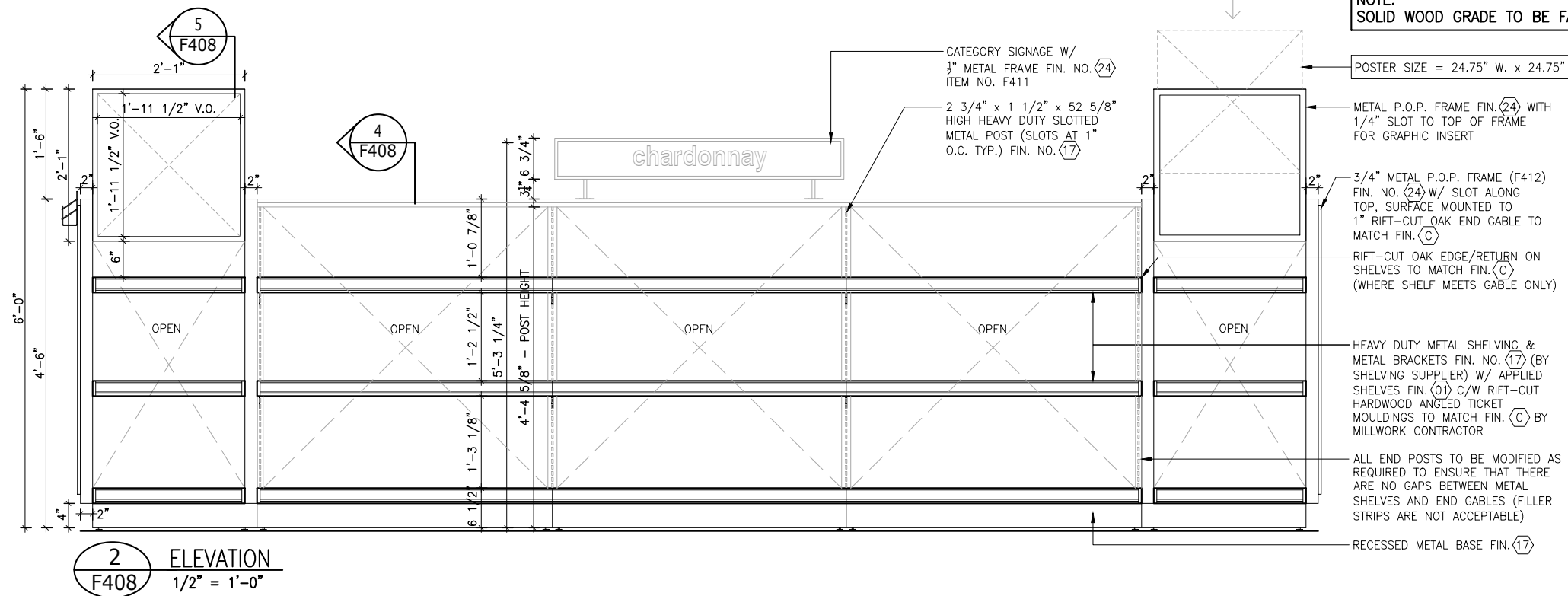
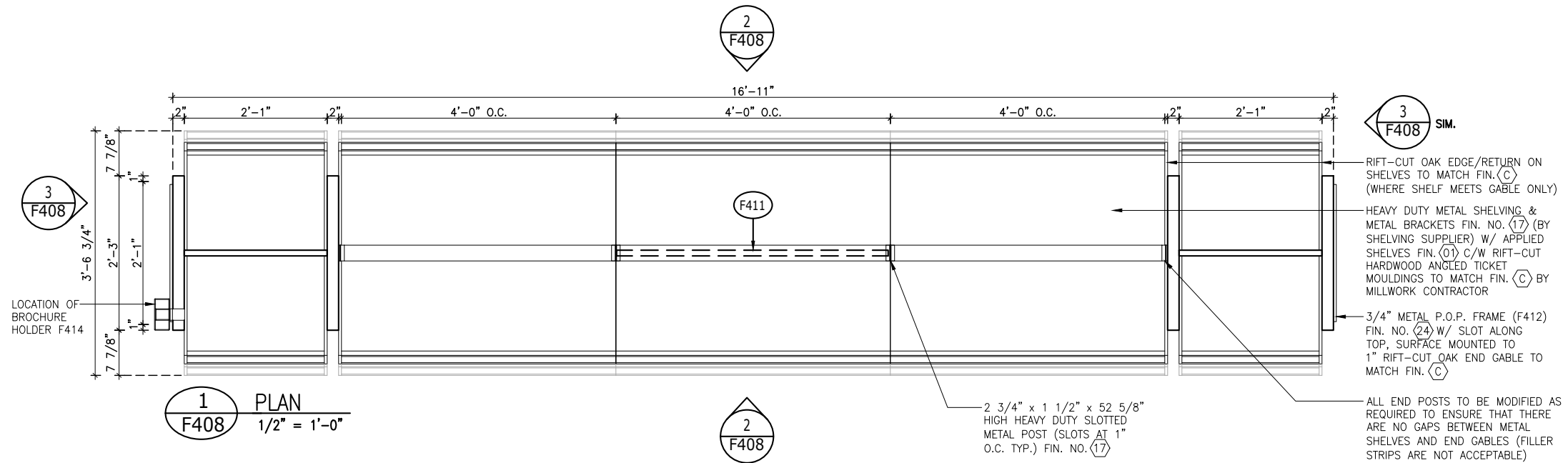


2 ELEVATION
F407 1/2" = 1'-0"

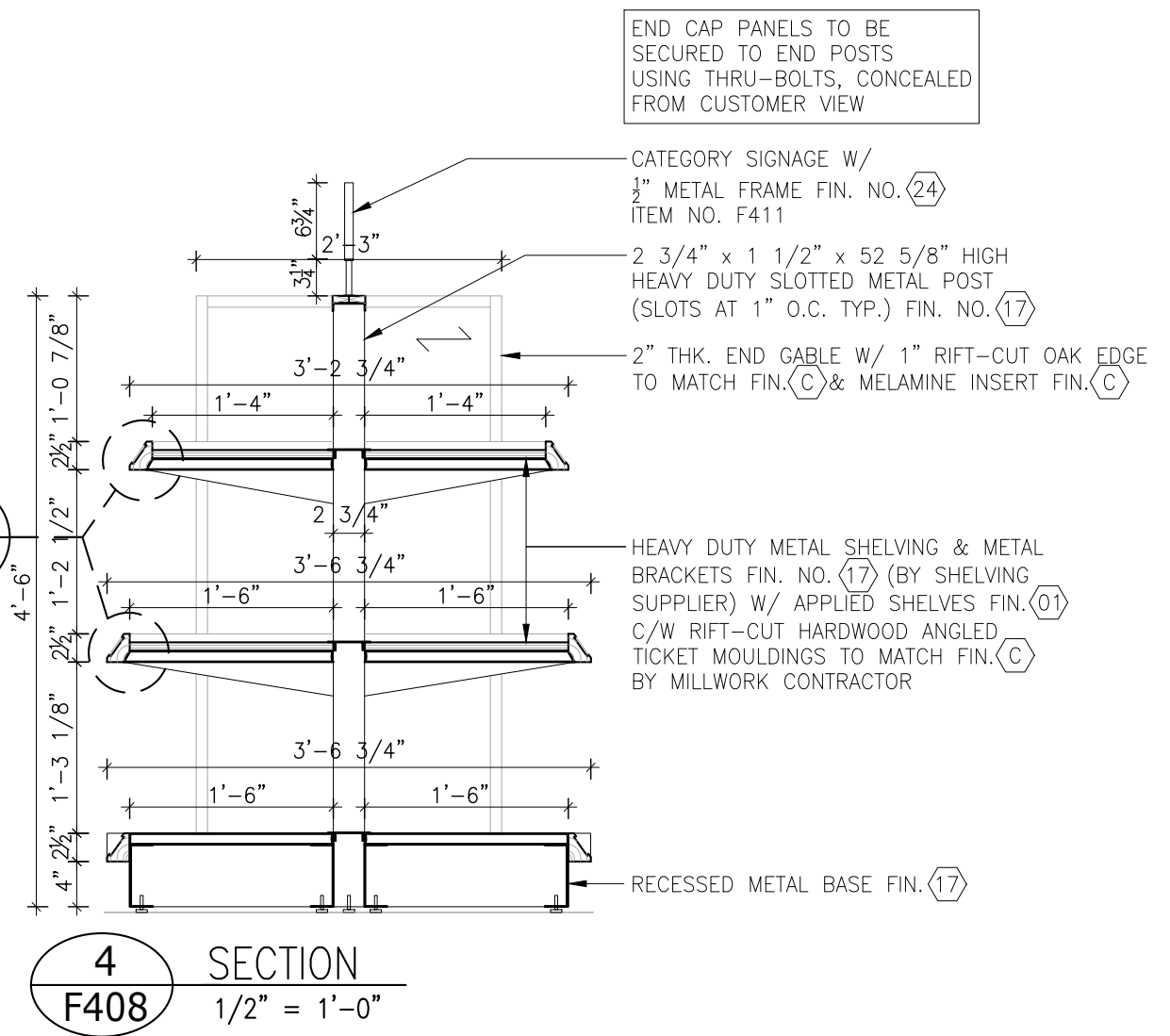
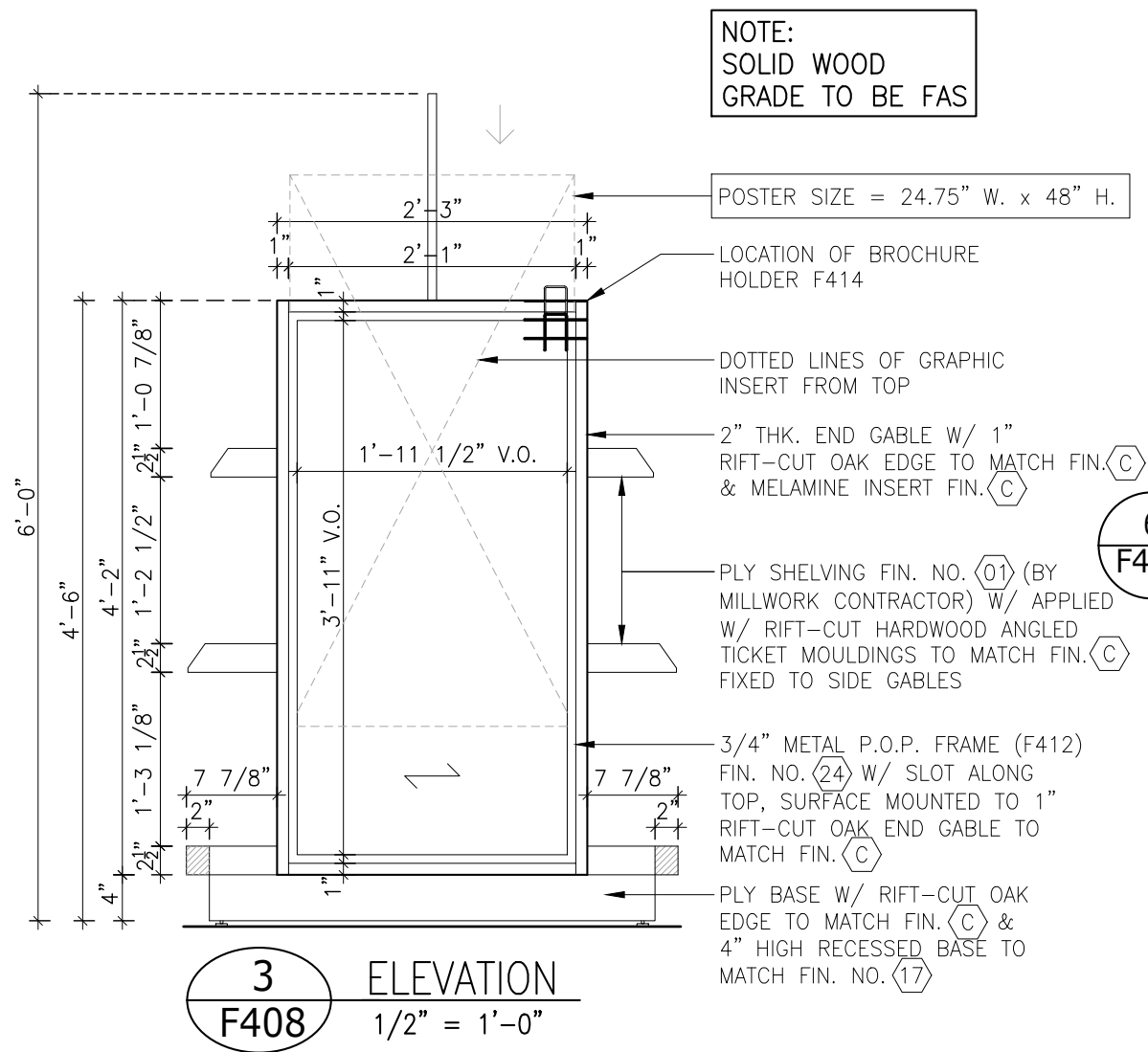
3 SECTION
F407 1/2" = 1'-0"

NOTE:
LOCKS FOR F204, F205, F255, F256, F268, F269, F270, F276, F277, F278, F305, F307, F331, F333, F358, F359, F360, F407, F415 AND F416 TO BE KEYED ALIKE

LCBO	400 OUR WINE COUNTRY ONTARIO	REVISION DATE	REV.	1 of 1	ISSUE DATE	STORE TYPE	STORE #
	OUR WINE COUNTRY ONTARIO LED MONITOR W/ STORAGE CUPBOARD	2017 NOV	15	F407	2021 APR		



LCBO	400 OUR WINE COUNTRY ONTARIO	REVISION DATE	REV.	1 of 3	ISSUE DATE	STORE TYPE	STORE #
	OUR WINE COUNTRY ONTARIO 4'-0" METAL FLOOR GONDOLA (3-HIGH)	2017 NOV	15	F408	2021 APR		



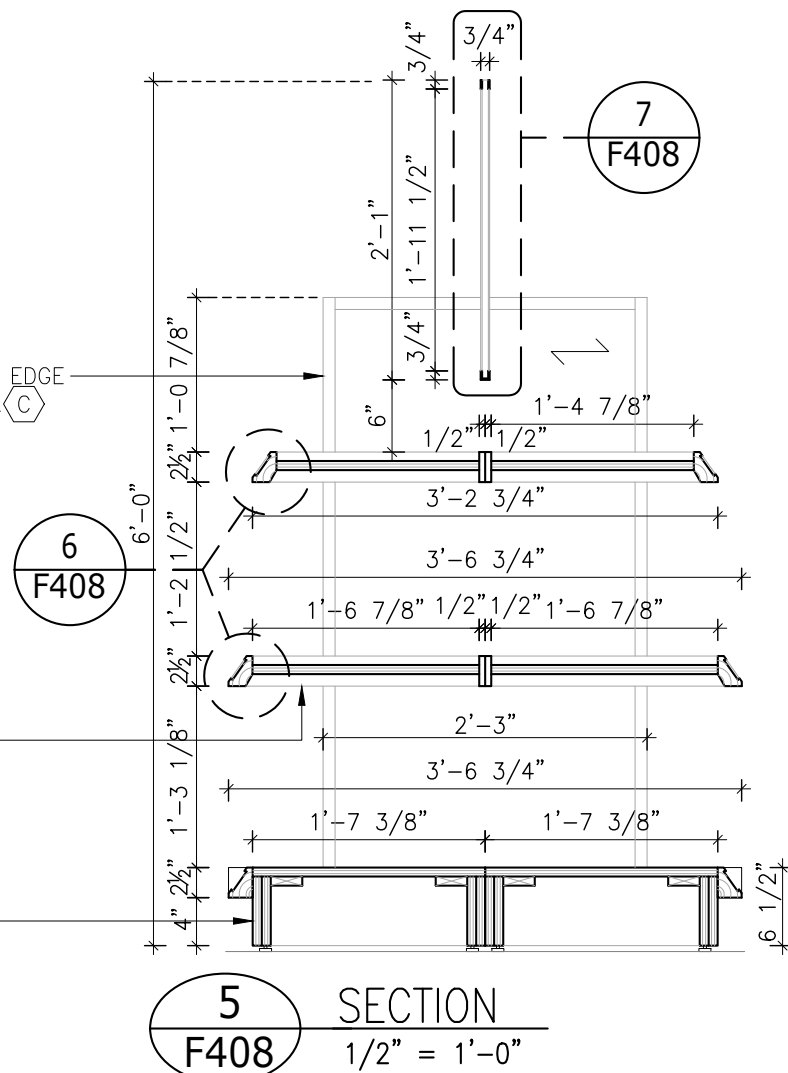
LCBO	400 OUR WINE COUNTRY ONTARIO	REVISION DATE	REV.	2 of 3	ISSUE DATE	STORE TYPE	STORE #
	OUR WINE COUNTRY ONTARIO 4'-0" METAL FLOOR GONDOLA (3-HIGH)	2017 NOV	15	F408	2021 APR		

NOTE:
SOLID WOOD GRADE TO BE FAS

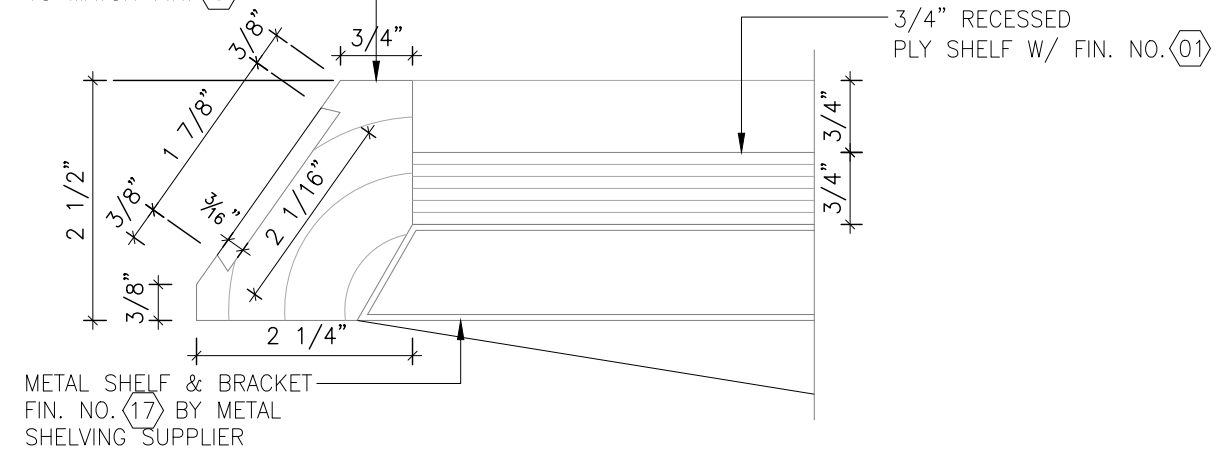
2" THK. END GABLE W/ 1" RIFT-CUT OAK EDGE
TO MATCH FIN. (C) & MELAMINE INSERT FIN. (C)

PLY SHELVING FIN. NO. (01) (BY
MILLWORK CONTRACTOR) W/ APPLIED
W/ RIFT-CUT HARDWOOD ANGLED
TICKET MOULDINGS TO MATCH FIN. (C)
FIXED TO SIDE GABLES

RECESSED METAL BASE FIN. (17)



RIFT-CUT HARDWOOD WHITE OAK
TICKET MOULDING (ANGLED)
TO MATCH FIN. (C)



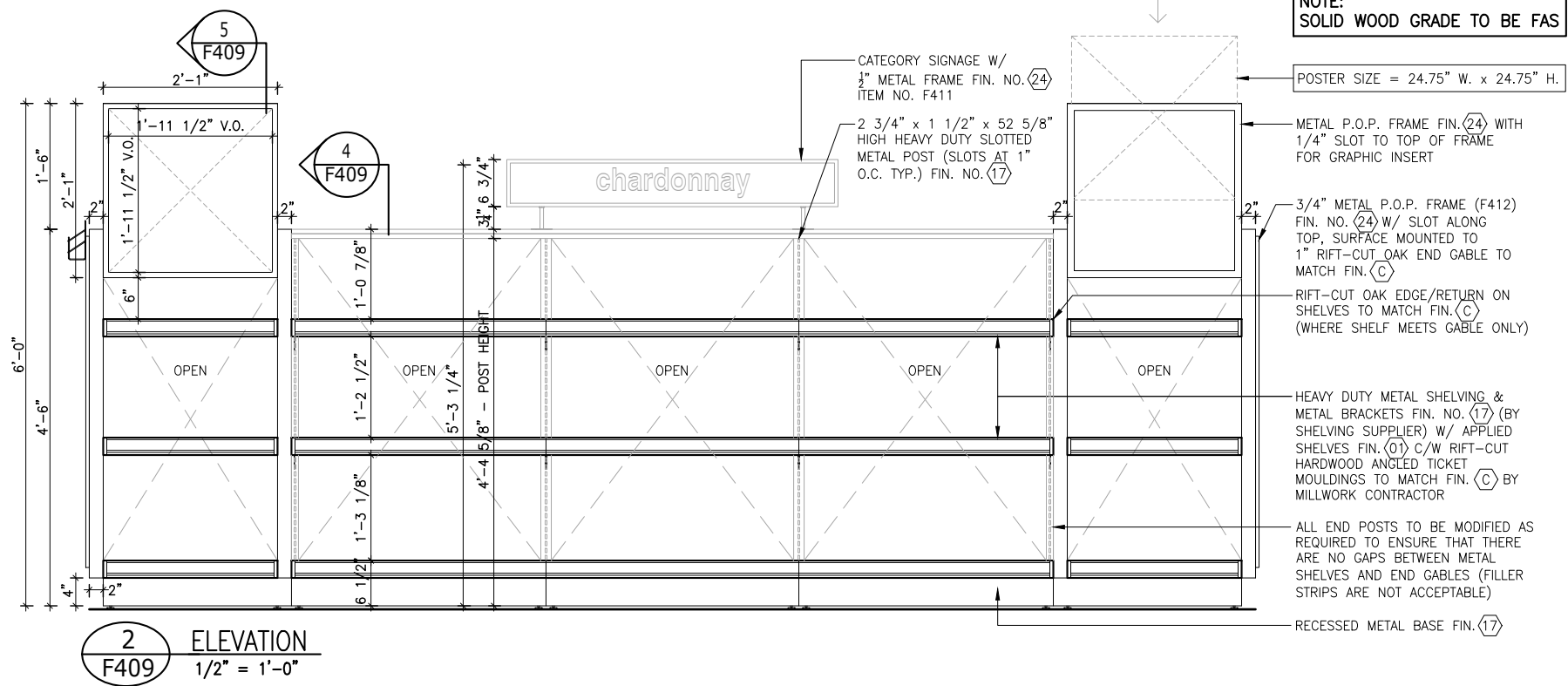
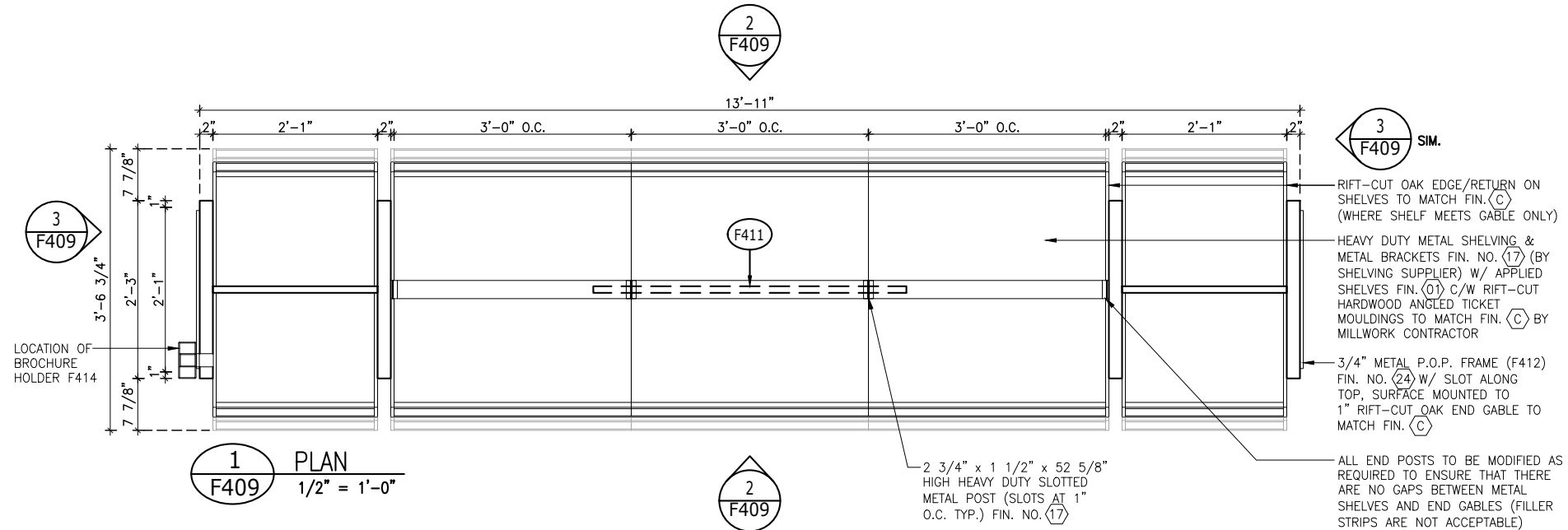
3/4" METAL FRAME FIN. NO. (24)
W/ CONTINUOUS SLOT ALONG
TOP TO ACCOMMODATE
GRAPHIC INSERT
(ENSURE NO SHARP EDGES)

DOTTED LINES OF
POSTER SIZE =
24.75" W. x 24.75" H.

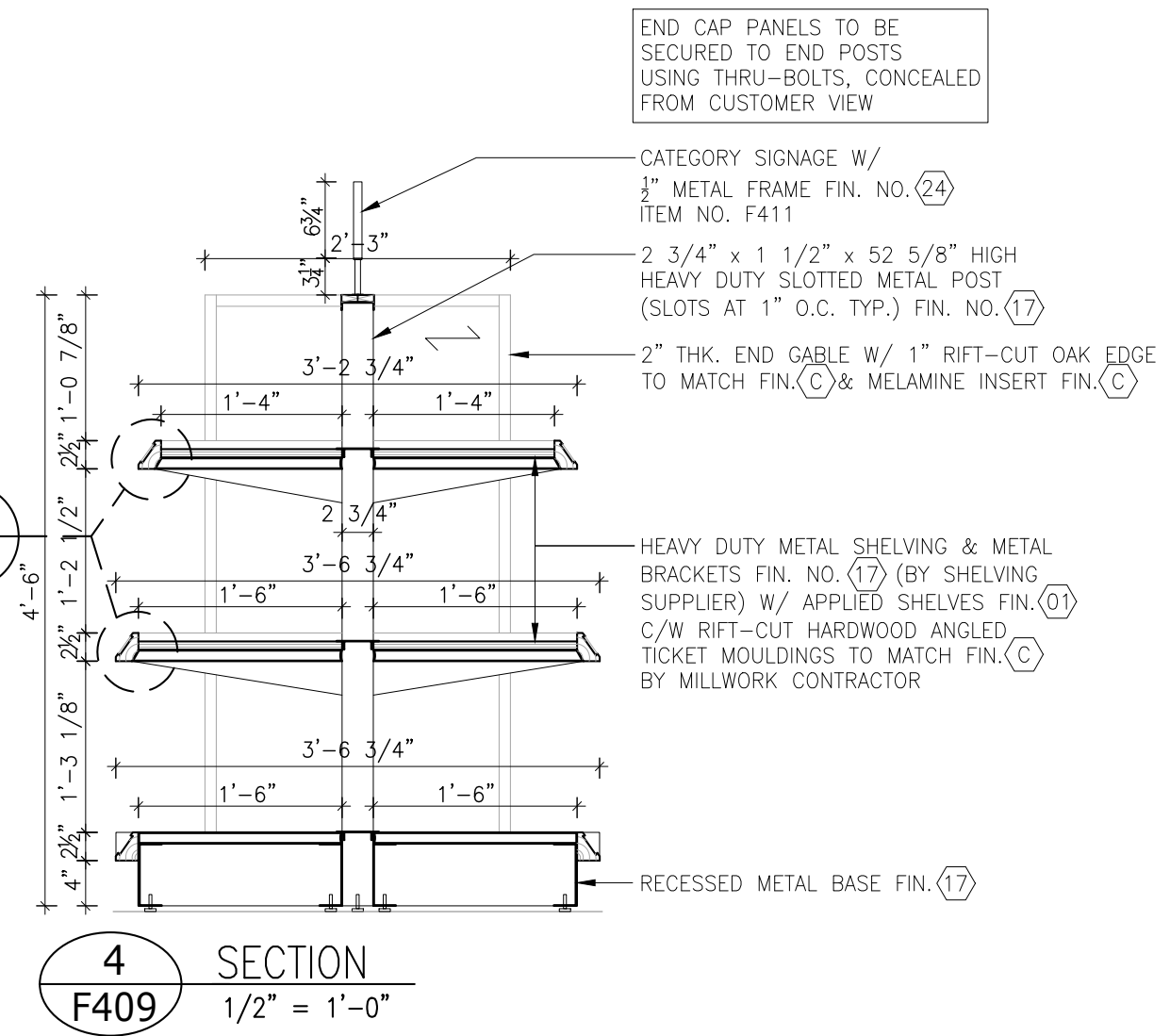
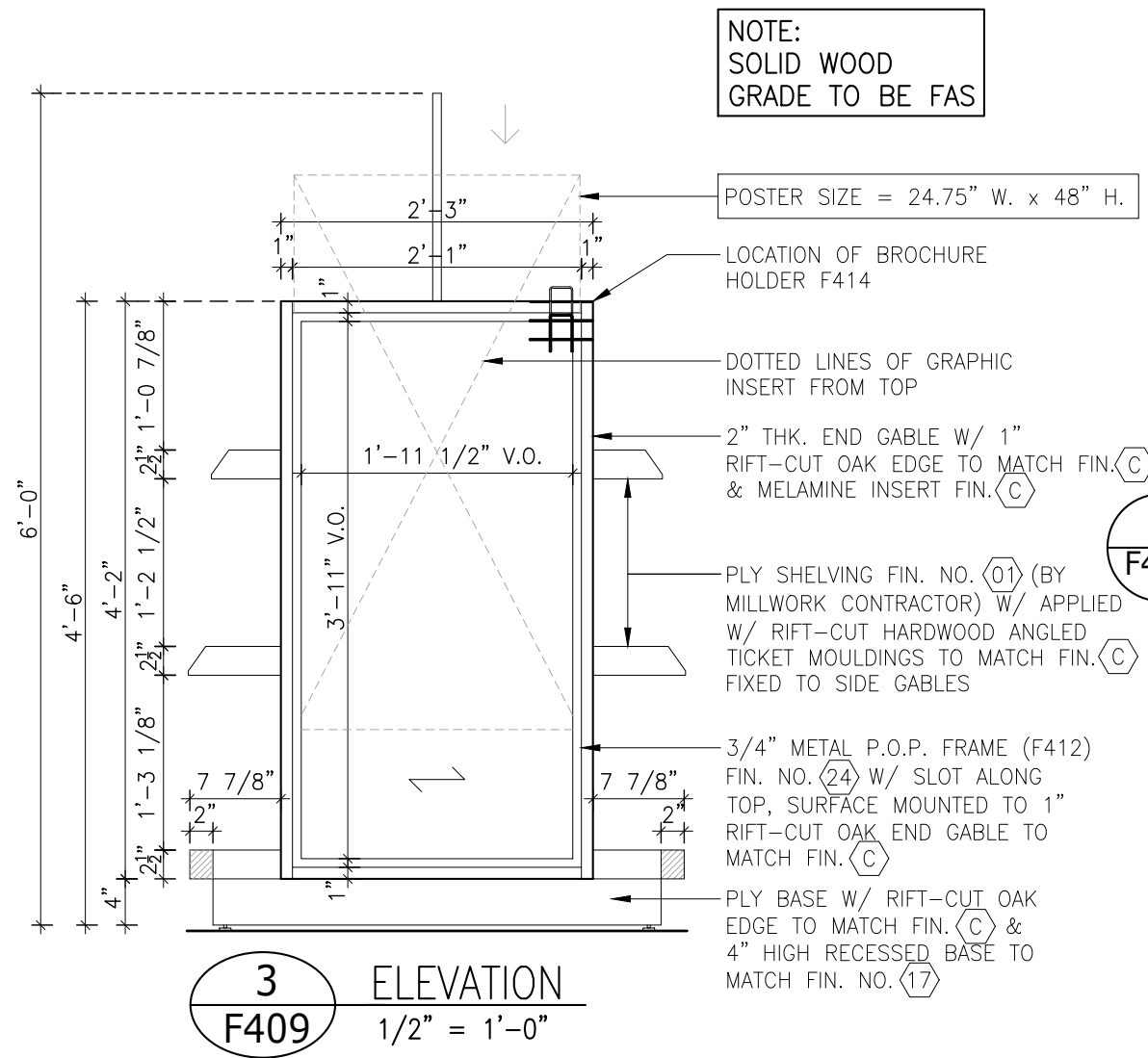
PROVIDE ADDITIONAL SLOT
INSIDE FRAME (BOTTOM &
SIDES) IN ORDER TO
PREVENT GRAPHIC INSERT
FROM BUCKLING



LCBO	400 OUR WINE COUNTRY ONTARIO	REVISION DATE	REV.	3 of 3	ISSUE DATE	STORE TYPE	STORE #
	OUR WINE COUNTRY ONTARIO 4'-0" METAL FLOOR GONDOLA (3-HIGH)	2017 NOV	15	F408	2021 APR		



LCBO	400 OUR WINE COUNTRY ONTARIO	REVISION DATE	REV.	1 of 3	ISSUE DATE	STORE TYPE	STORE #
	OUR WINE COUNTRY ONTARIO 3'-0" METAL FLOOR GONDOLA (3-HIGH)	2017 NOV	15	F409	2021 APR		



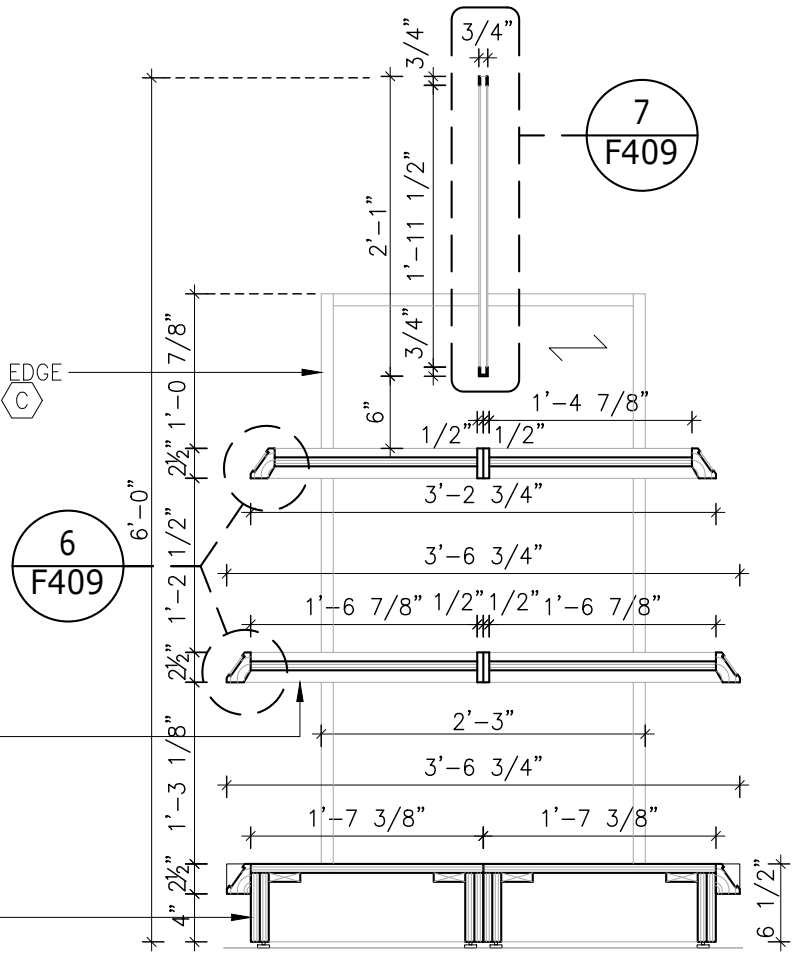
LCBO	400 OUR WINE COUNTRY ONTARIO	REVISION DATE	REV.	2 of 3	ISSUE DATE	STORE TYPE	STORE #
	OUR WINE COUNTRY ONTARIO 3'-0" METAL FLOOR GONDOLA (3-HIGH)	2017 NOV	15	F409	2021 APR		

NOTE:
SOLID WOOD GRADE TO BE FAS

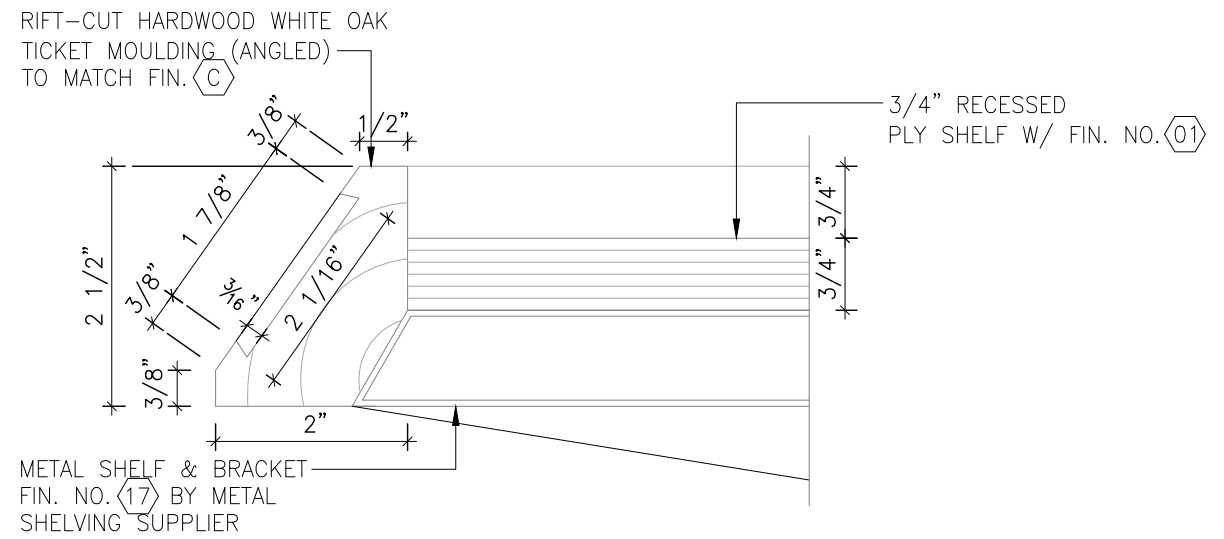
2" THK. END GABLE W/ 1" RIFT-CUT OAK EDGE TO MATCH FIN. (C) & MELAMINE INSERT FIN. (C)

PLY SHELVING FIN. NO. (01) (BY MILLWORK CONTRACTOR) W/ APPLIED W/ RIFT-CUT HARDWOOD ANGLED TICKET MOULDINGS TO MATCH FIN. (C) FIXED TO SIDE GABLES

RECESSED METAL BASE FIN. (17)



5
SECTION
F409
1/2" = 1'-0"

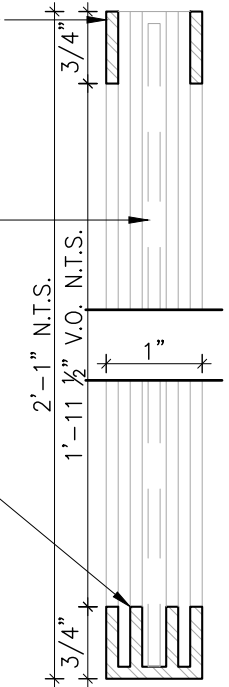


6
DETAIL
F409
6" = 1'-0"

3/4" METAL FRAME FIN. NO. (24) W/ CONTINUOUS SLOT ALONG TOP TO ACCOMMODATE GRAPHIC INSERT (ENSURE NO SHARP EDGES)

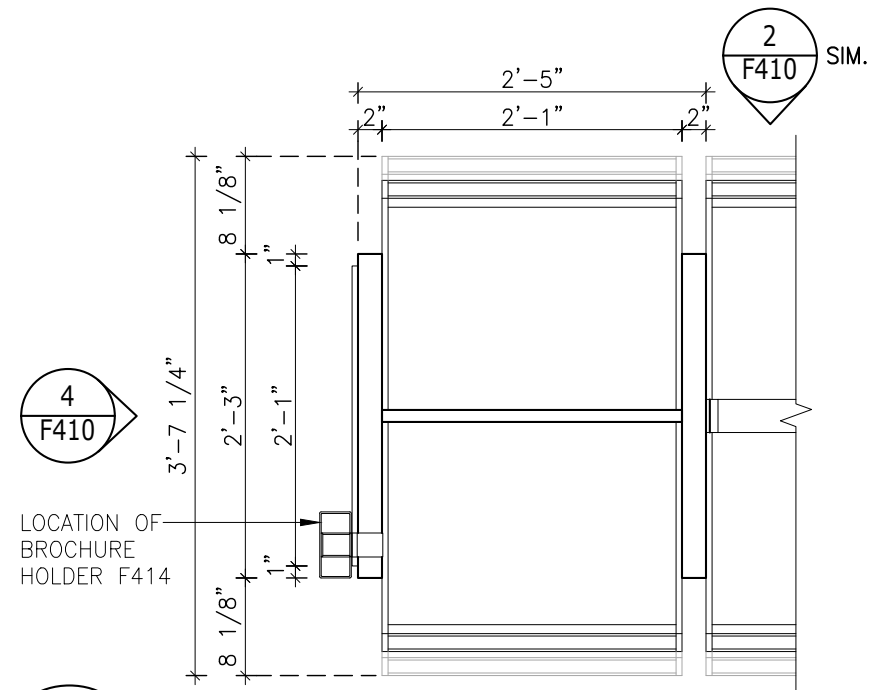
DOTTED LINES OF POSTER SIZE = 24.75" W. x 24.75" H.

PROVIDE ADDITIONAL SLOT INSIDE FRAME (BOTTOM & SIDES) IN ORDER TO PREVENT GRAPHIC INSERT FROM BUCKLING

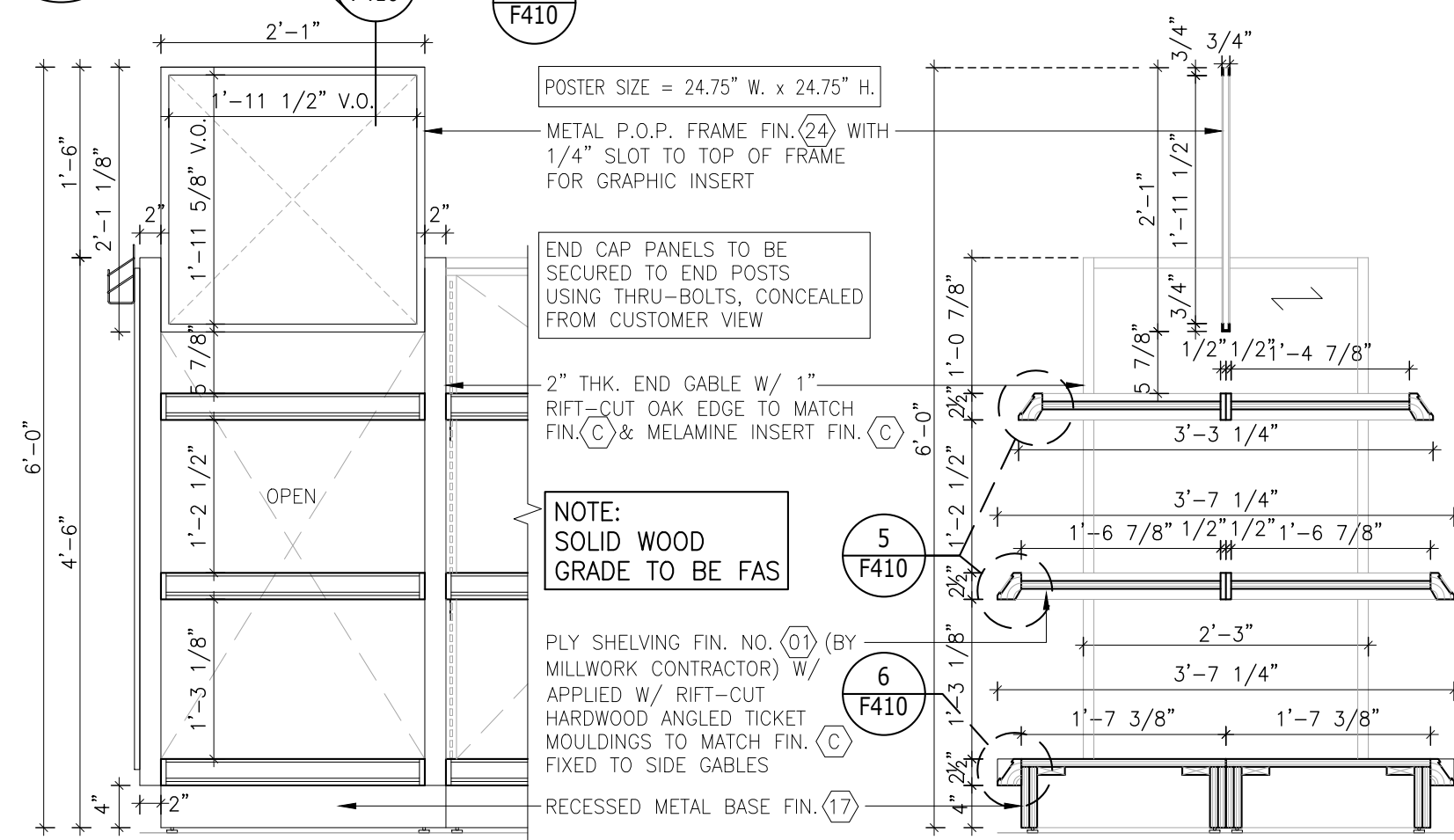


7
DETAIL
F409
6" = 1'-0"

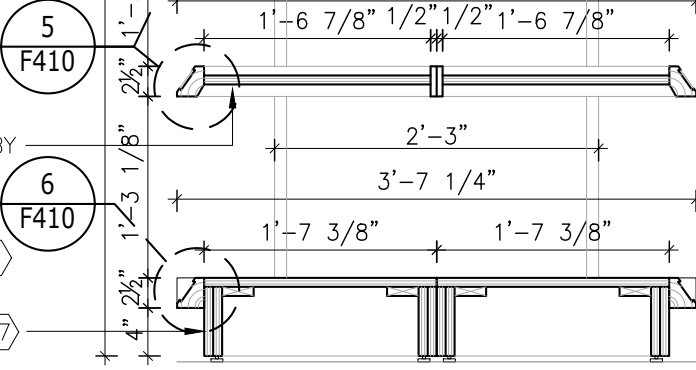
LCBO	400 OUR WINE COUNTRY ONTARIO	REVISION DATE	REV.	3 of 3	ISSUE DATE	STORE TYPE	STORE #
	OUR WINE COUNTRY ONTARIO 3'-0" METAL FLOOR GONDOLA (3-HIGH)	2017 NOV	15	F409	2021 APR		



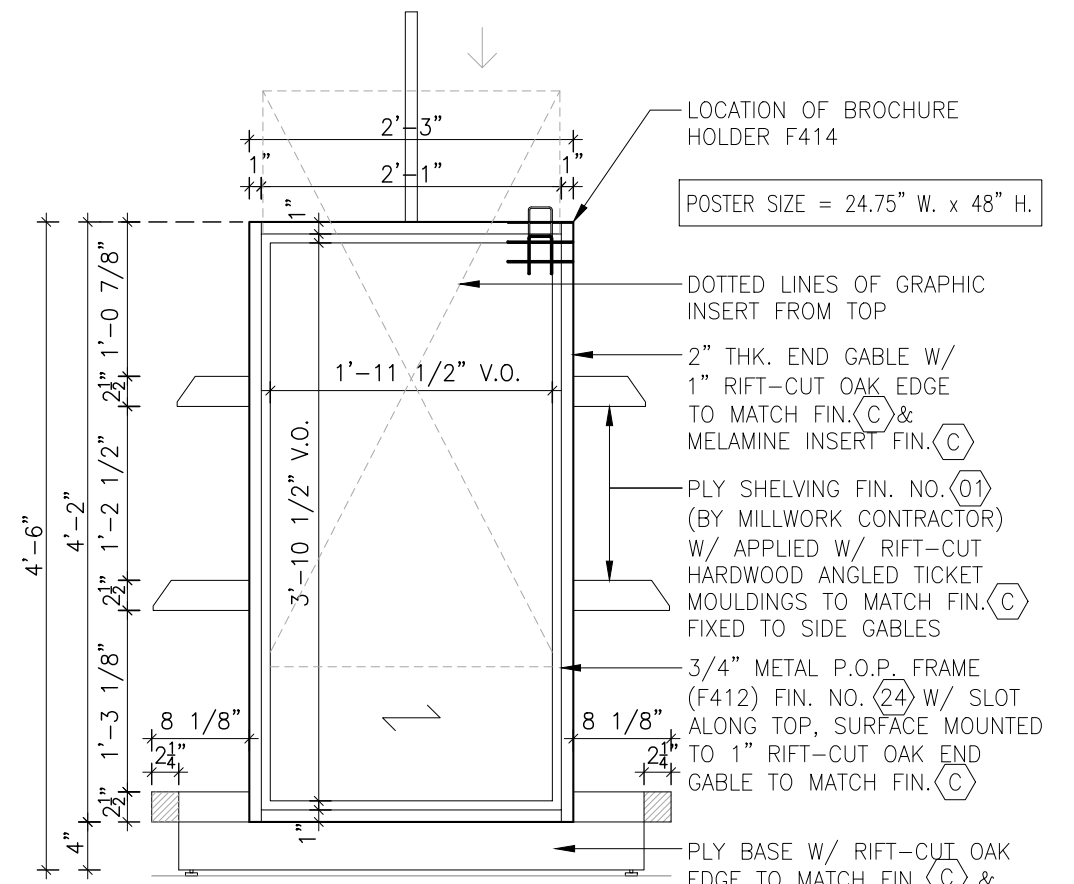
1
F410
3/4" = 1'-0"



2
F410
3/4" = 1'-0"



3
F410
3/4" = 1'-0"



4
F410
3/4" = 1'-0"

LCBO

400 OUR WINE COUNTRY ONTARIO
OUR WINE COUNTRY ONTARIO 2'-0" GONDOLA ENDS (3-HIGH)

REVISION DATE
2017 NOV

REV.
15

1 of 2
F410

ISSUE DATE
2021 APR

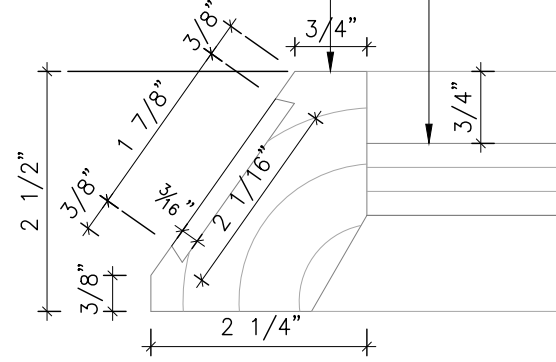
STORE TYPE

STORE #

NOTE:
SOLID WOOD
GRADE TO BE FAS

3/4" RECESSED
PLY SHELF W/ FIN. NO. (01)

HARDWOOD TICKET MOULDING
(ANGLED) FIN. NO. (28)



5
F410 DETAIL
6" = 1'-0"

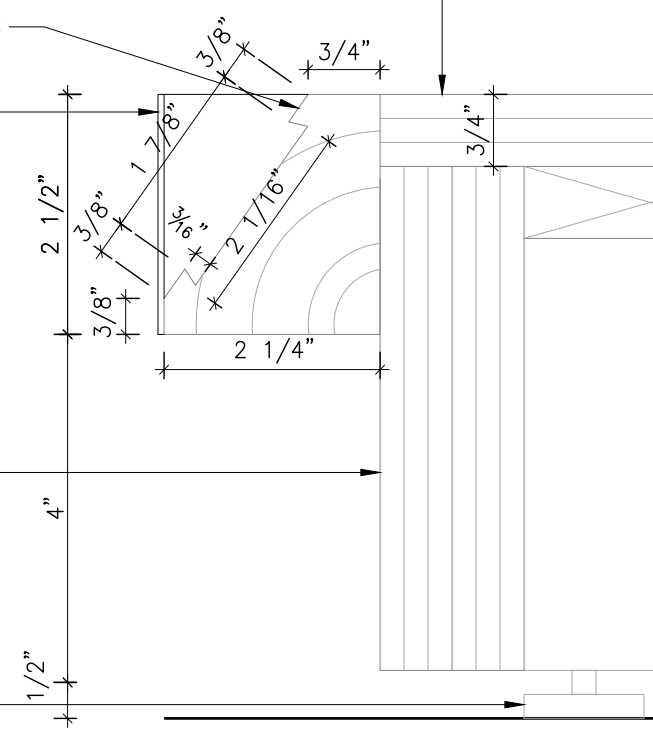
PLY TOP W/ FIN. NO. (01)

HARDWOOD TICKET MOULDING
(ANGLED) FIN. NO. (28)

2 1/4" x 2 1/4" METAL
CORNER GUARD FIN. NO. (55)
BEYOND

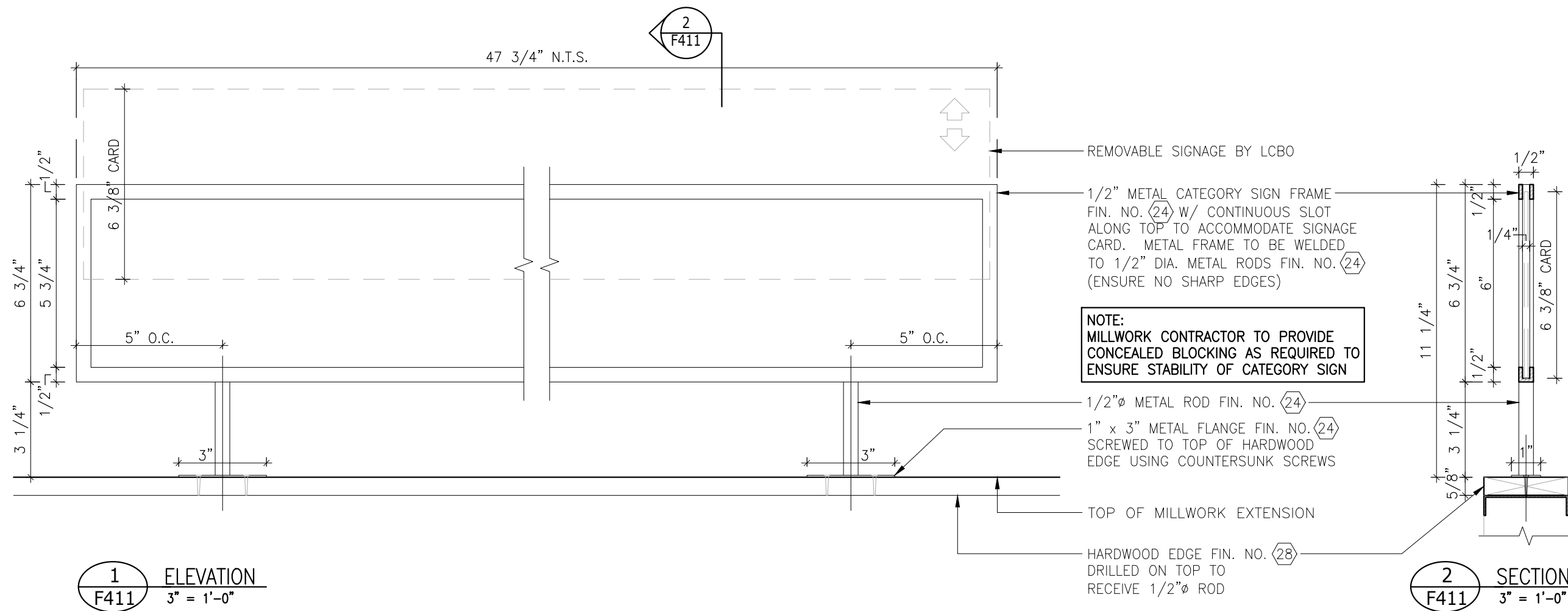
4" HIGH RECESSED BASE
FIN. NO. (04)

HEAVY DUTY ADJ. GLIDES

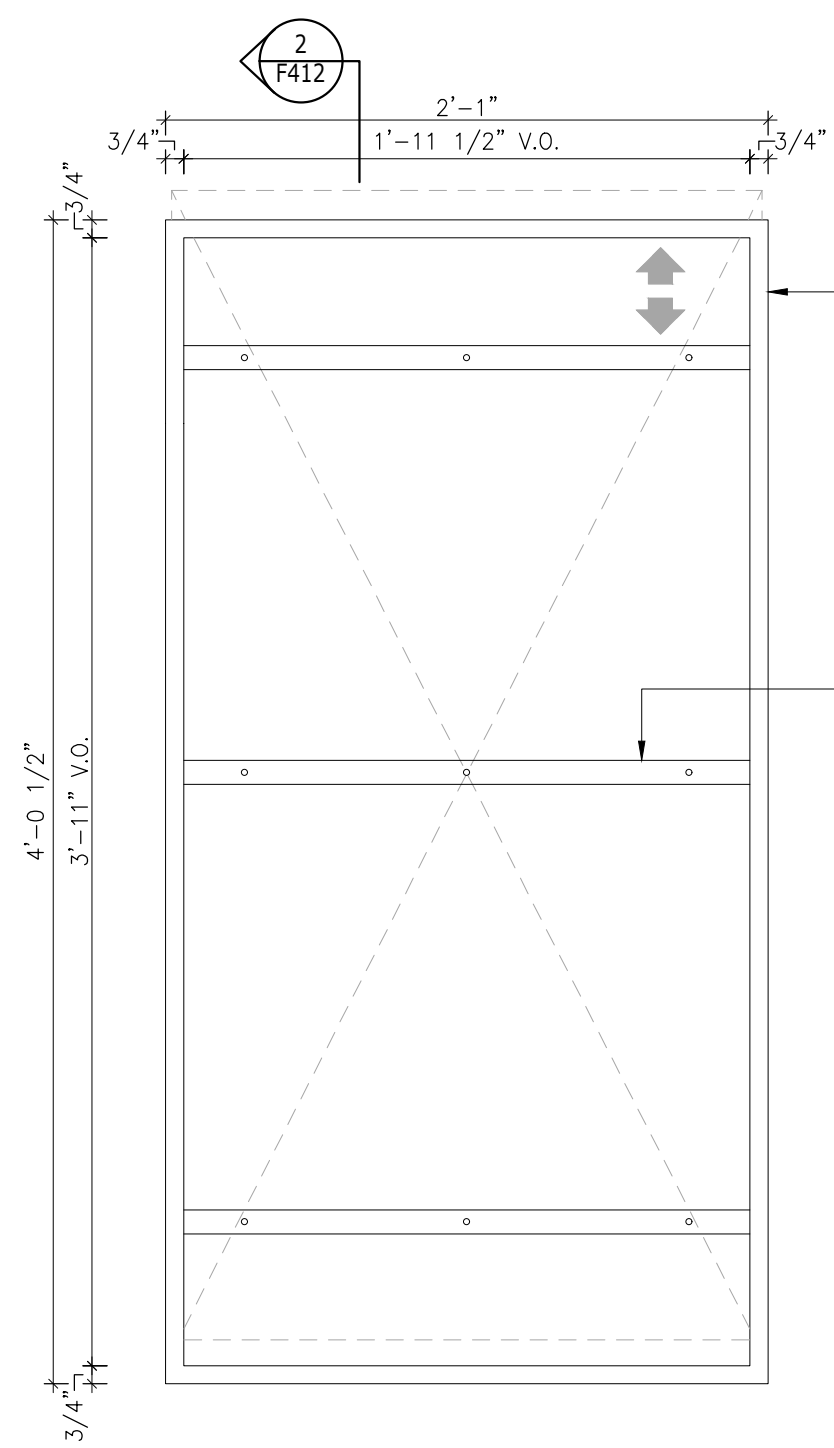


6
F410 DETAIL
6" = 1'-0"

LCBO	400 OUR WINE COUNTRY ONTARIO	REVISION DATE	REV.	2 of 2	ISSUE DATE	STORE TYPE	STORE #
	OUR WINE COUNTRY ONTARIO 2'-0" GONDOLA ENDS (3-HIGH)	2017 NOV	15	F410	2021 APR		



LCBO	400 OUR WINE COUNTRY ONTARIO	REVISION DATE	REV.	1 of 1	ISSUE DATE	STORE TYPE	STORE #
	OUR WINE COUNTRY ONTARIO CATEGORY SIGN	2015 MAR23	12	F411	2021 APR		

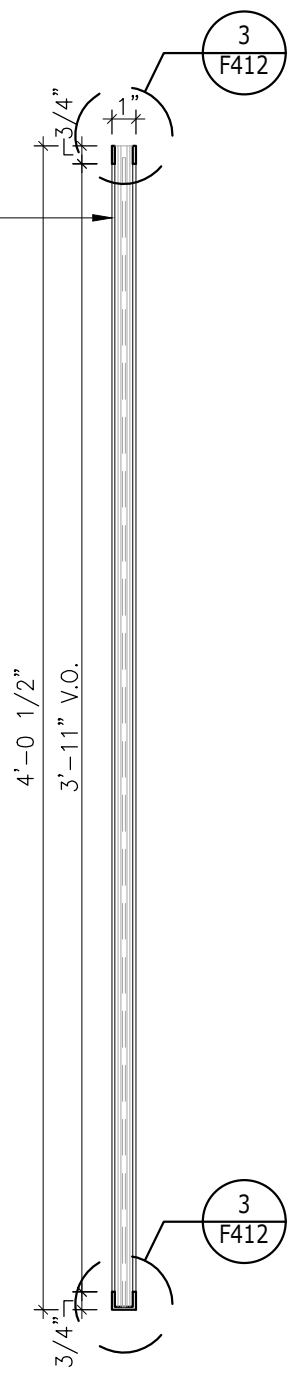


1 ELEVATION
F412 1 1/2" = 1'-0"

3/4" METAL FRAME FIN. NO. 24
W/ CONTINUOUS SLOT ALONG
TOP TO ACCOMMODATE
GRAPHIC INSERT
(ENSURE NO SHARP EDGES)

POSTER SIZE = 24.75" W. x 48" H.

MOUNTING PLATE FIN. NO. 24



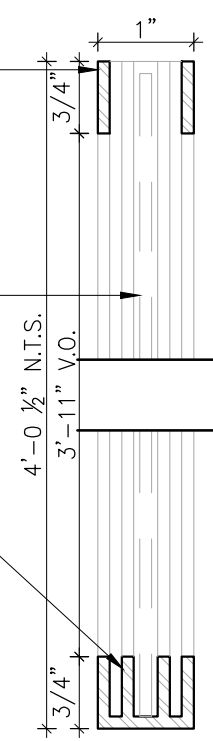
2 SECTION
F412 1 1/2" = 1'-0"

3/4" METAL FRAME FIN. NO. 24
W/ CONTINUOUS SLOT ALONG
TOP TO ACCOMMODATE
GRAPHIC INSERT
(ENSURE NO SHARP EDGES)

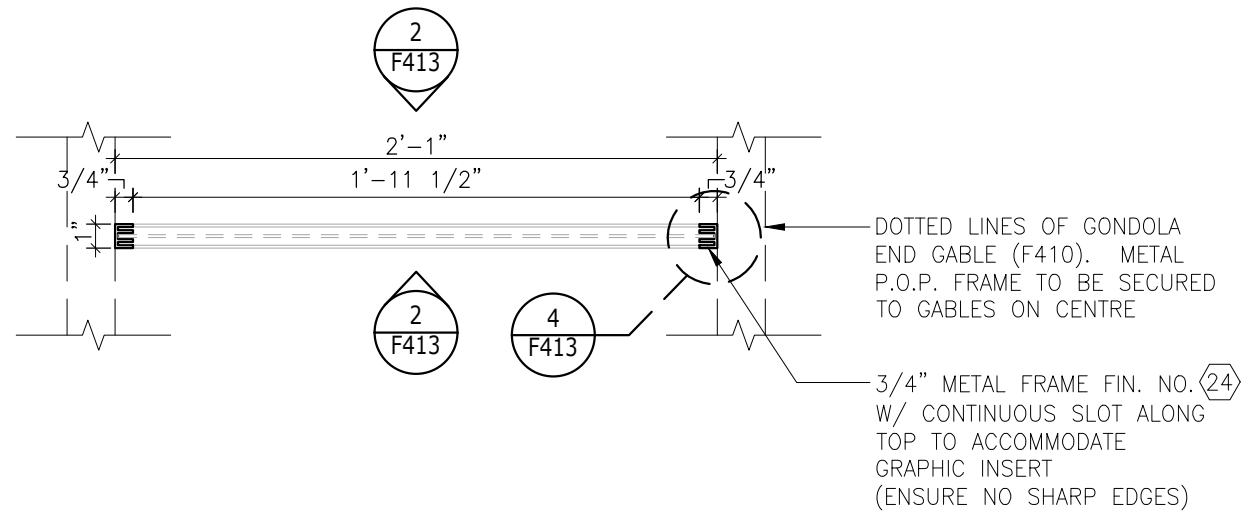
DOTTED LINES OF
POSTER SIZE =
24.75" W. x 48" H.

PROVIDE ADDITIONAL SLOT
INSIDE FRAME (BOTTOM &
SIDES) IN ORDER TO
PREVENT GRAPHIC INSERT
FROM BUCKLING

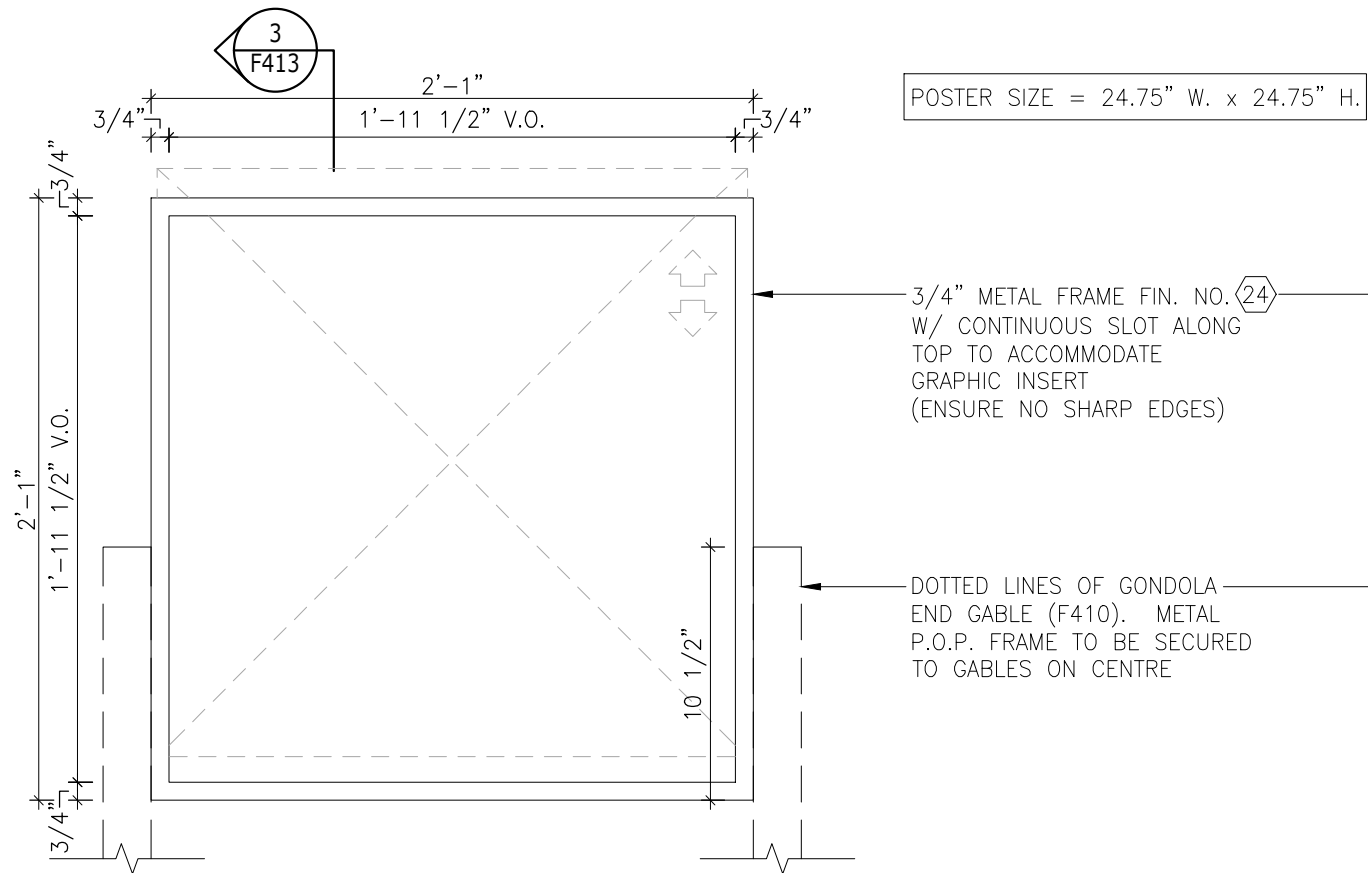
3 SECTION
F412 6" = 1'-0"



LCBO	400 OUR WINE COUNTRY ONTARIO	REVISION DATE	REV.	1 of 1	ISSUE DATE	STORE TYPE	STORE #
	OUR WINE COUNTRY ONTARIO 25" x 48.5" METAL POP FRAME	2015 MAR23	12	F412	2021 APR		

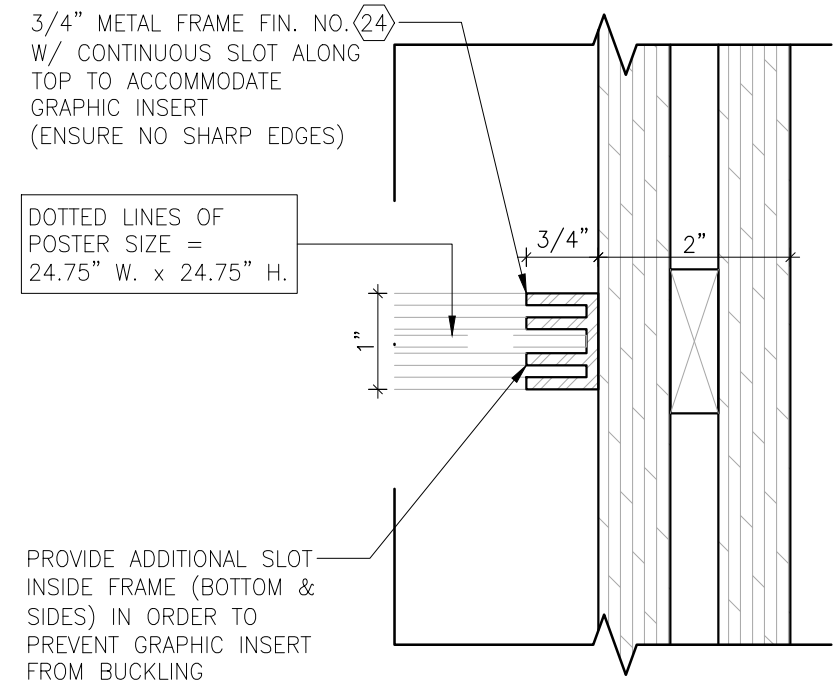
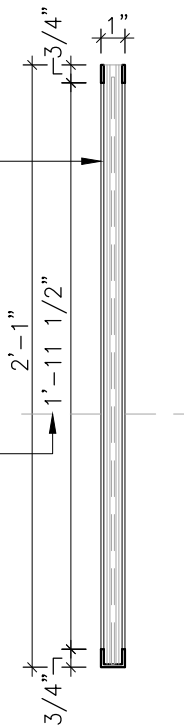


1
F413 ELEVATION
1 1/2" = 1'-0"



2
F413 ELEVATION
1 1/2" = 1'-0"

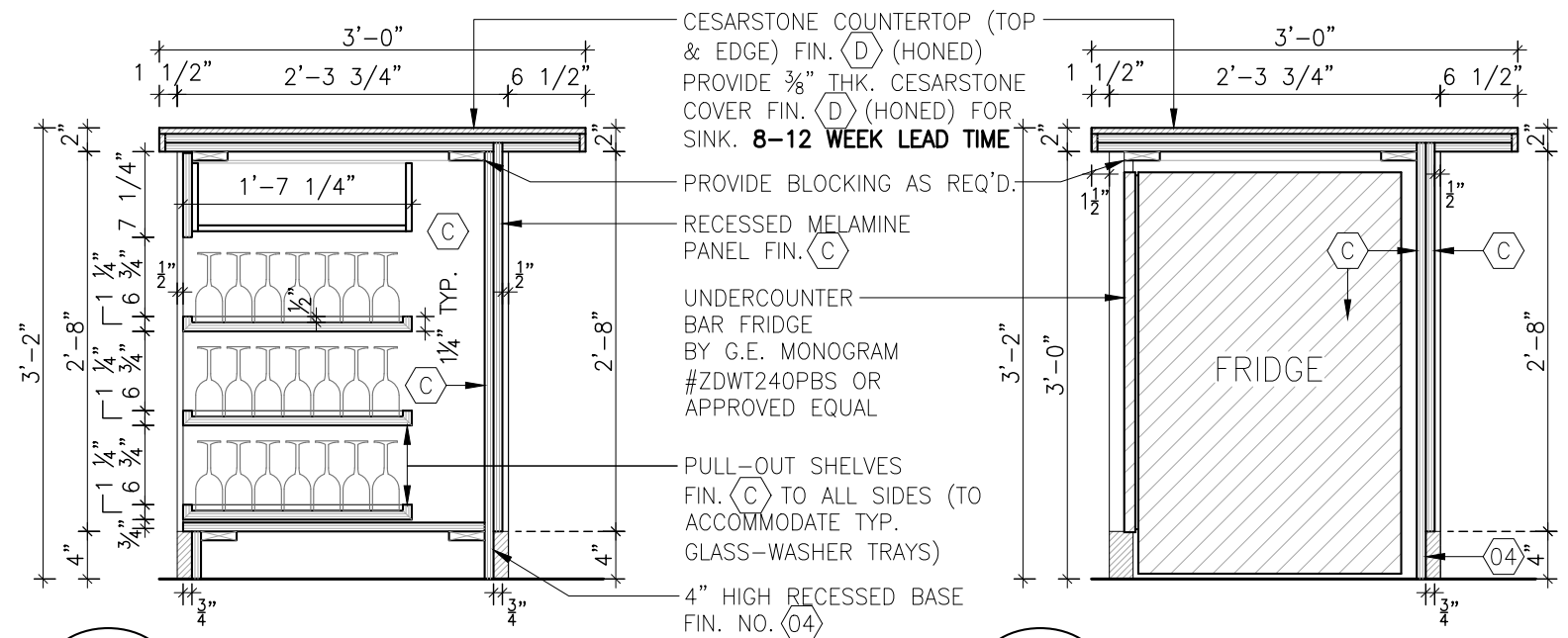
3
F413 SECTION
1 1/2" = 1'-0"



4
F413 SECTION
6" = 1'-0"

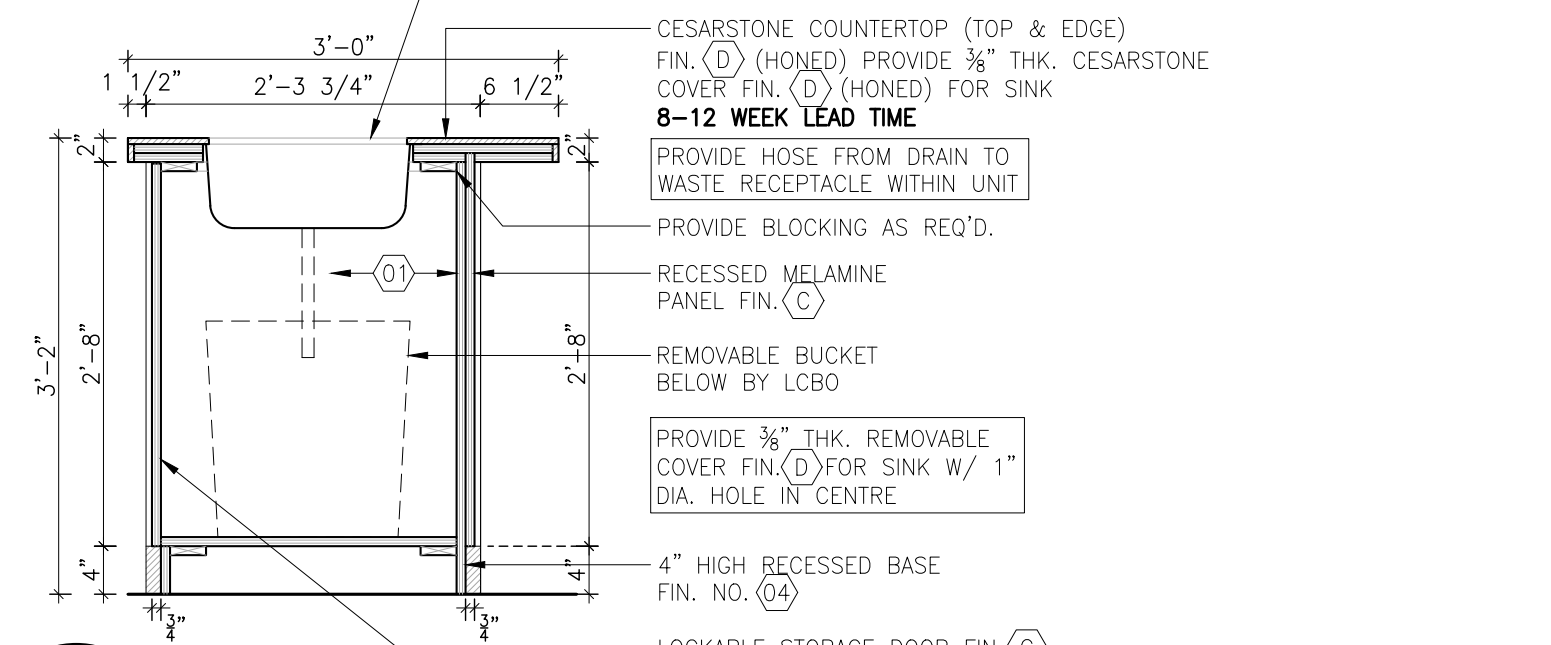
LCBO	400 OUR WINE COUNTRY ONTARIO	REVISION DATE	REV.	1 of 1	ISSUE DATE	STORE TYPE	STORE #
	OUR WINE COUNTRY ONTARIO 25" x 25" METAL GONDOLA P.O.P. FRAME	2015 MAR23	12	F413	2021 APR		

NOTE:
SOLID WOOD
GRADE TO BE FAS



5 SECTION
F415 3/4" = 1'-0"

6 SECTION
F415 3/4" = 1'-0"



7 SECTION
F415 3/4" = 1'-0"

CESARSTONE COUNTERTOP (TOP & EDGE) FIN. (D) (HONED) PROVIDE 3/8" THK. CESARSTONE COVER FIN. (D) (HONED) FOR SINK. **8-12 WEEK LEAD TIME**

PROVIDE BLOCKING AS REQ'D.

RECESSED MELAMINE PANEL FIN. (C)

UNDERCOUNTER BAR FRIDGE BY G.E. MONOGRAM #ZDWT240PBS OR APPROVED EQUAL

PULL-OUT SHELVES FIN. (C) TO ALL SIDES (TO ACCOMMODATE TYP. GLASS-WASHER TRAYS)

4" HIGH RECESSED BASE FIN. NO. (04)

UNDERMOUNT STAINLESS STEEL SINK BY KINDRED #QSUA1914/7 OR APPROVED EQUAL

CESARSTONE COUNTERTOP (TOP & EDGE) FIN. (D) (HONED) PROVIDE 3/8" THK. CESARSTONE COVER FIN. (D) (HONED) FOR SINK **8-12 WEEK LEAD TIME**

PROVIDE HOSE FROM DRAIN TO WASTE RECEPTACLE WITHIN UNIT

PROVIDE BLOCKING AS REQ'D.

RECESSED MELAMINE PANEL FIN. (C)

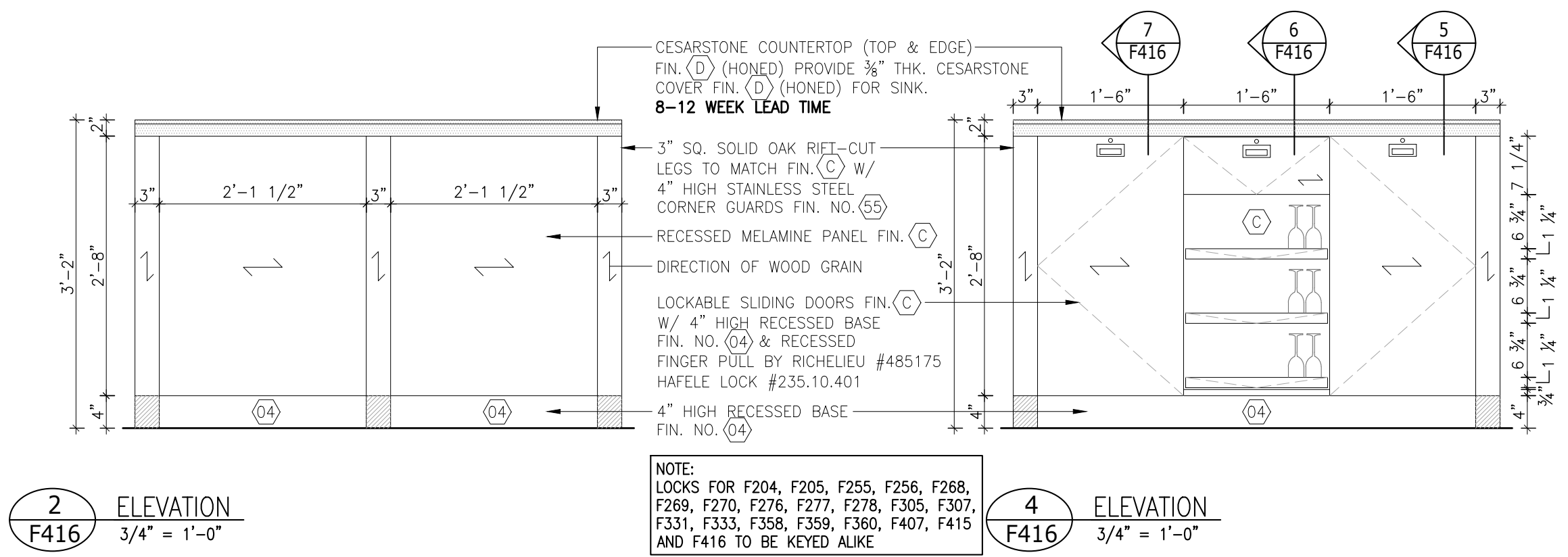
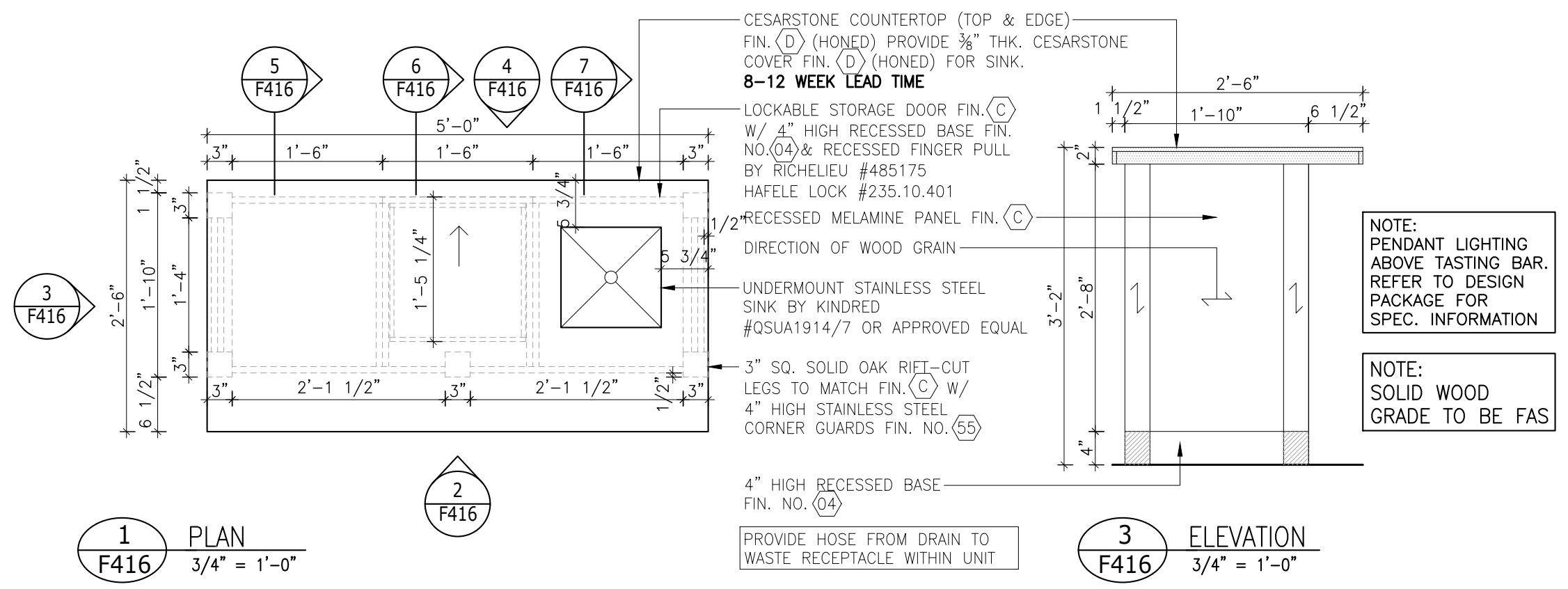
REMOVABLE BUCKET BELOW BY LCBO

PROVIDE 3/8" THK. REMOVABLE COVER FIN. (D) FOR SINK W/ 1" DIA. HOLE IN CENTRE

4" HIGH RECESSED BASE FIN. NO. (04)

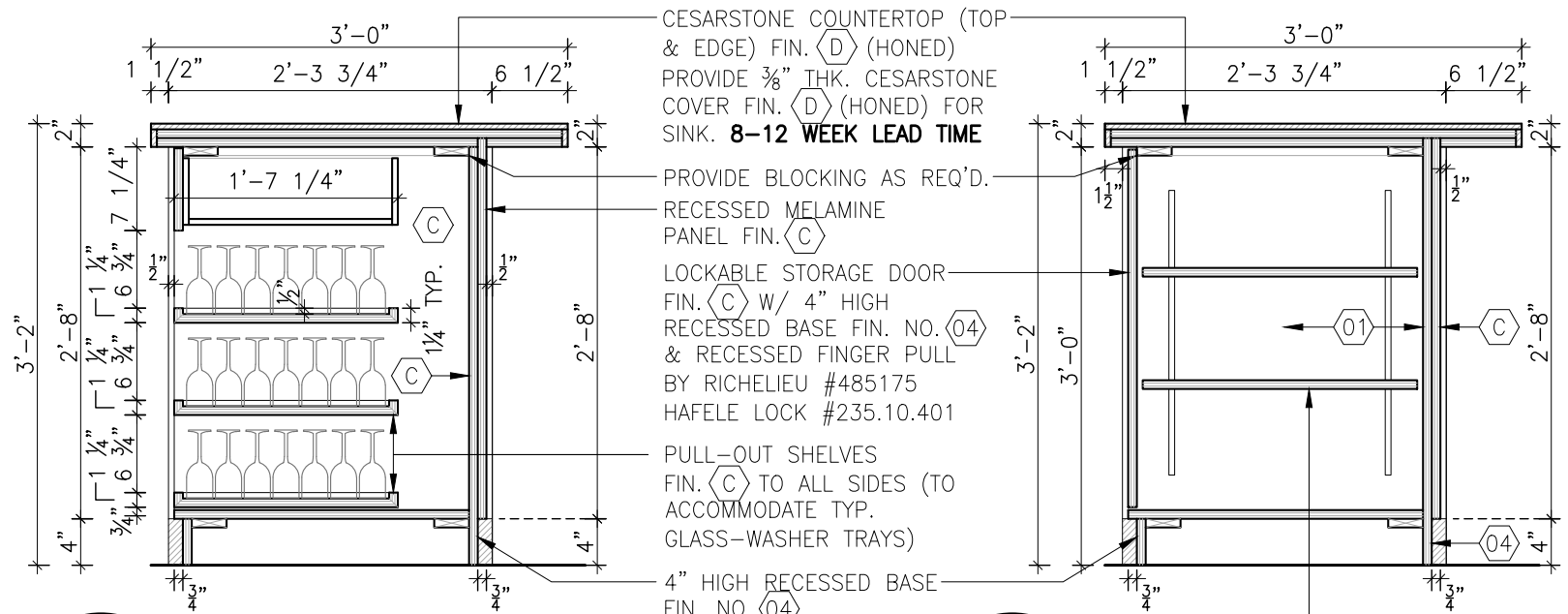
LOCKABLE STORAGE DOOR FIN. (C) W/ 4" HIGH RECESSED BASE FIN. NO. (04) & RECESSED FINGER PULL BY RICHELIEU #485175 HAFELE LOCK #235.10.401

LCBO	400 OUR WINE COUNTRY ONTARIO	REVISION DATE	REV.	2 of 2	ISSUE DATE	STORE TYPE	STORE #
	OUR WINE COUNTRY ONTARIO 6'-0" TASTING BAR	2017 NOV	15	F415	2021 APR		



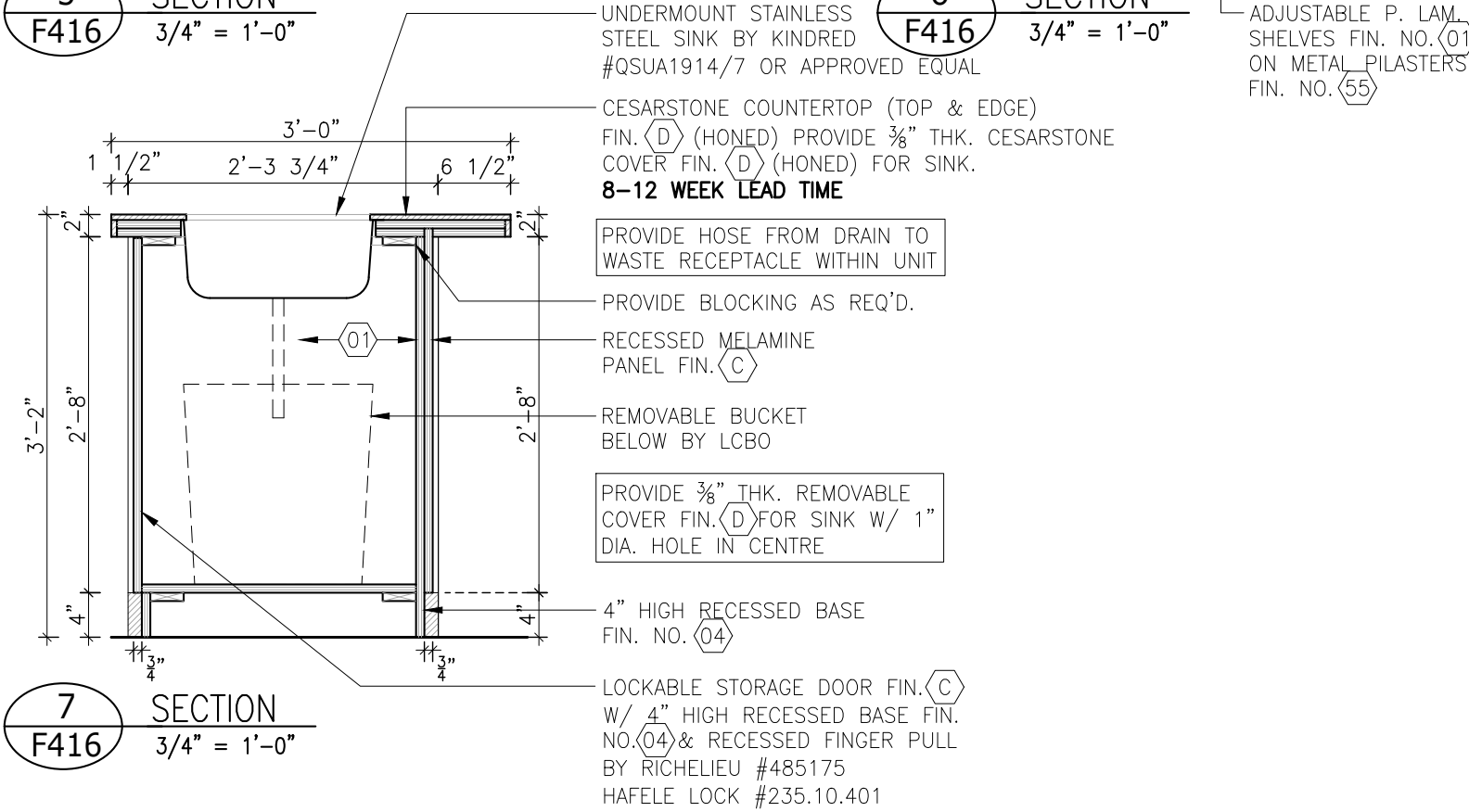
LCBO	400 OUR WINE COUNTRY ONTARIO	REVISION DATE	REV.	1 of 2	ISSUE DATE	STORE TYPE	STORE #
	OUR WINE COUNTRY ONTARIO 5'-0" TASTING BAR	2017 NOV	15	F416	2021 APR		

**NOTE:
SOLID WOOD
GRADE TO BE FAS**



5 SECTION
F416 3/4" = 1'-0"

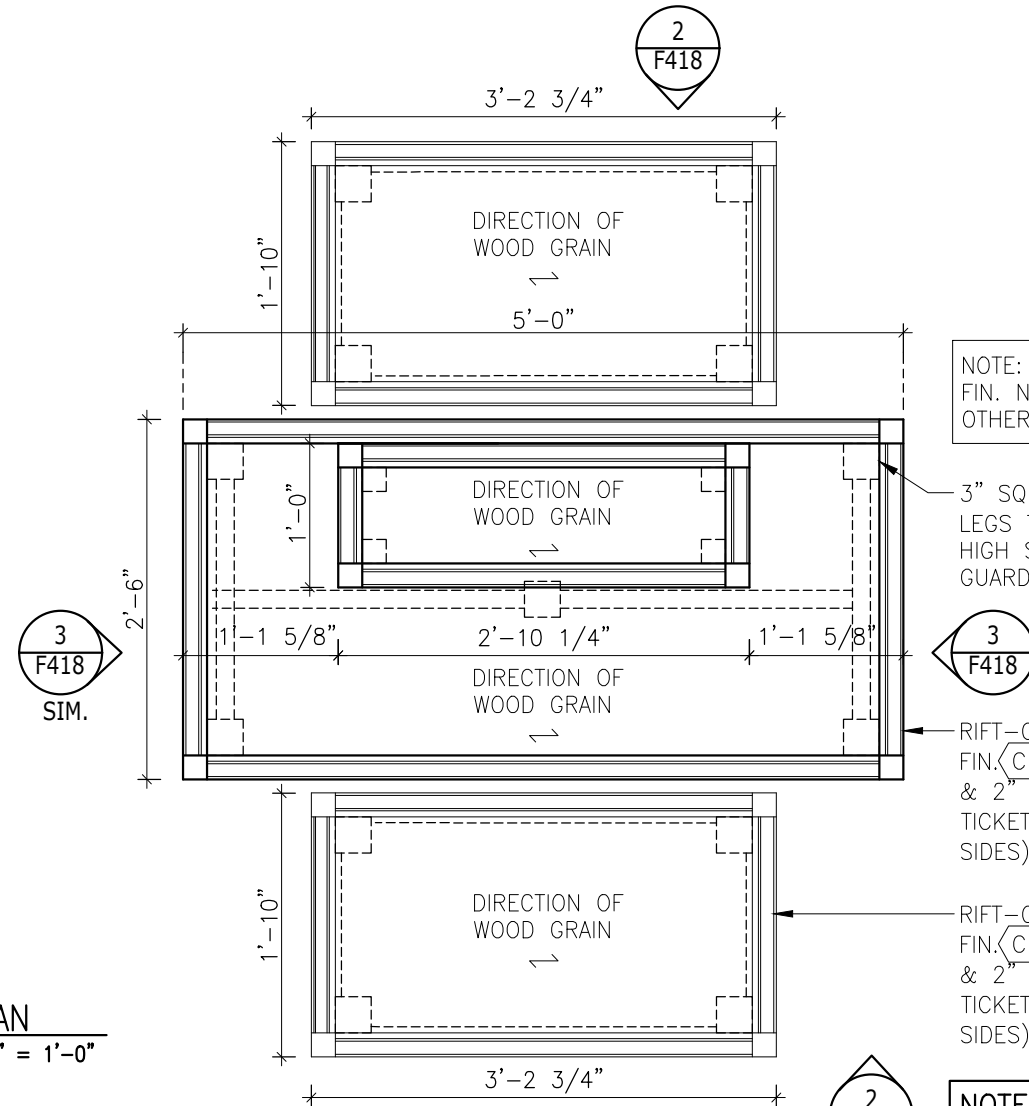
6 SECTION
F416 3/4" = 1'-0"



7 SECTION
F416 3/4" = 1'-0"

LCBO	400 OUR WINE COUNTRY ONTARIO	REVISION DATE	REV.	2 of 2	ISSUE DATE	STORE TYPE	STORE #
	OUR WINE COUNTRY ONTARIO 5'-0" TASTING BAR	2017 NOV	15	F416	2021 APR		

1 PLAN
F418 3/4" = 1'-0"



NOTE: ALL FINISHES TO BE FIN. NO. (C) UNLESS OTHERWISE NOTED

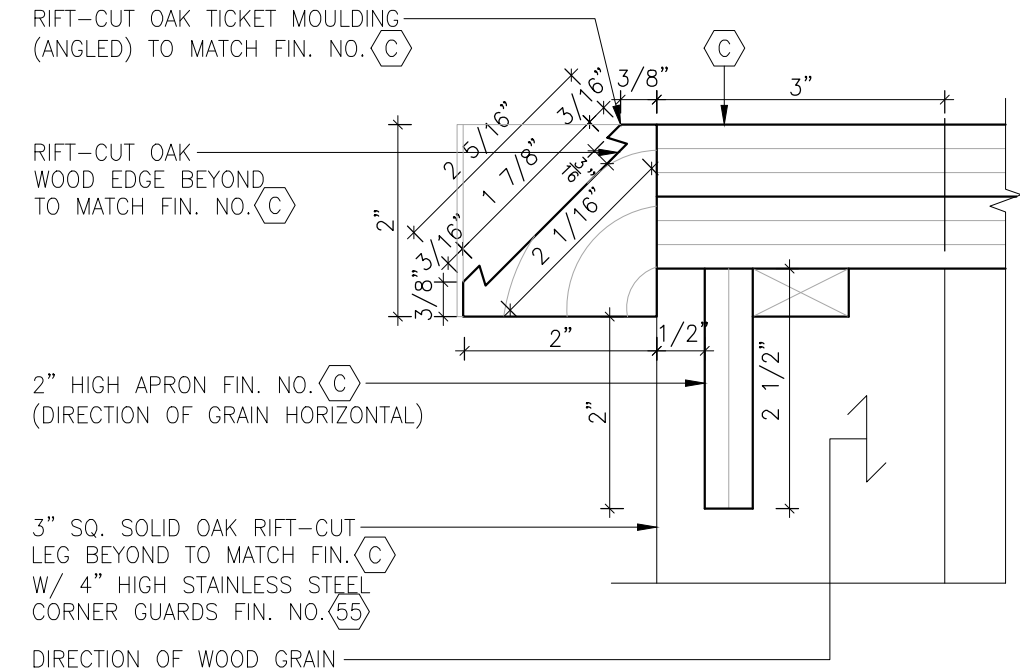
3" SQ. SOLID OAK RIFT-CUT LEGS TO MATCH FIN. (C) W/ 4" HIGH STAINLESS STEEL CORNER GUARDS FIN. NO. (55)

RIFT-CUT OAK TABLE TO MATCH FIN. (C) W/ SOLID OAK WOOD EDGE & 2" RIFT-CUT OAK ANGLED TICKET MOULDING (FRONT, BACK & SIDES) TO MATCH FIN. (C)

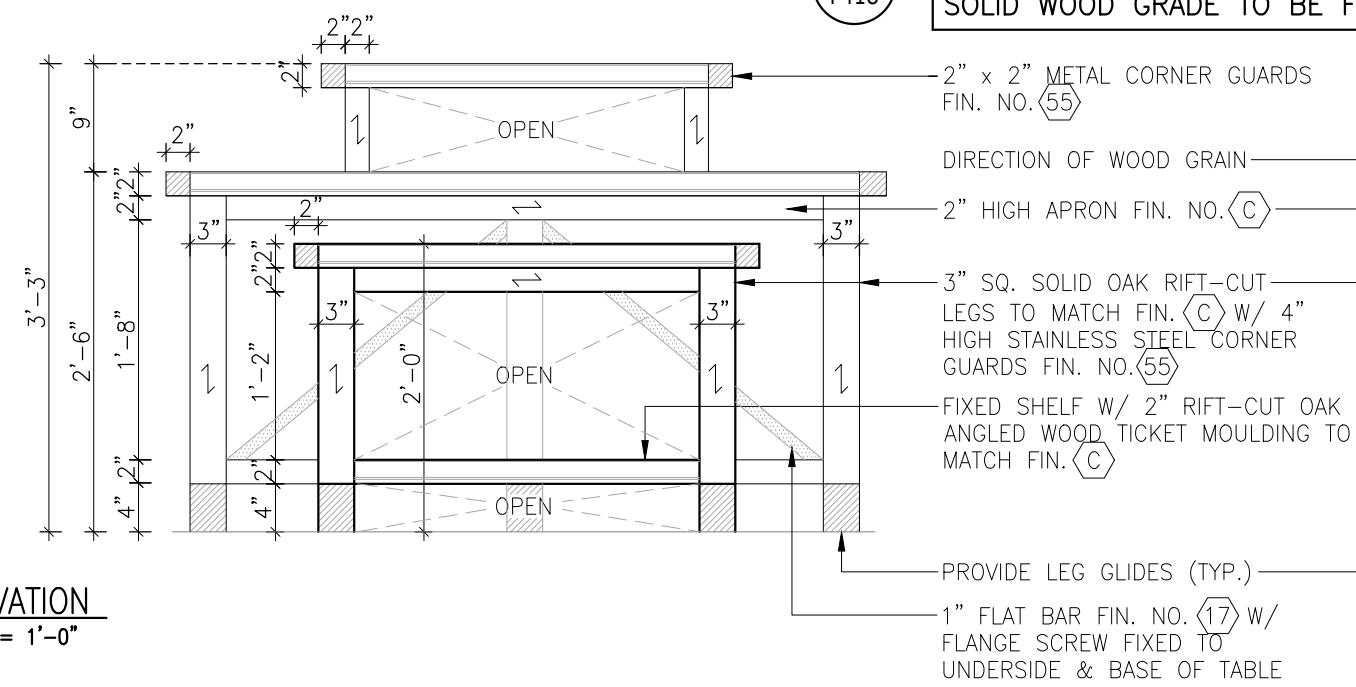
RIFT-CUT OAK TABLE TO MATCH FIN. (C) W/ SOLID OAK WOOD EDGE & 2" RIFT-CUT OAK ANGLED TICKET MOULDING (FRONT, BACK & SIDES) TO MATCH FIN. (C)

NOTE: SOLID WOOD GRADE TO BE FAS

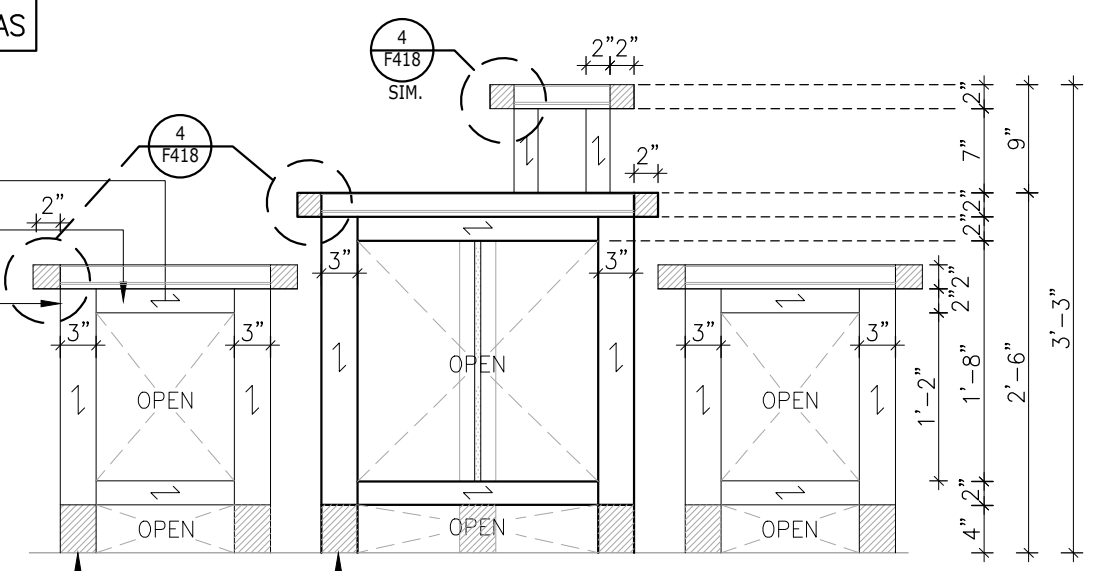
4 DETAIL
F418 6" = 1'-0"



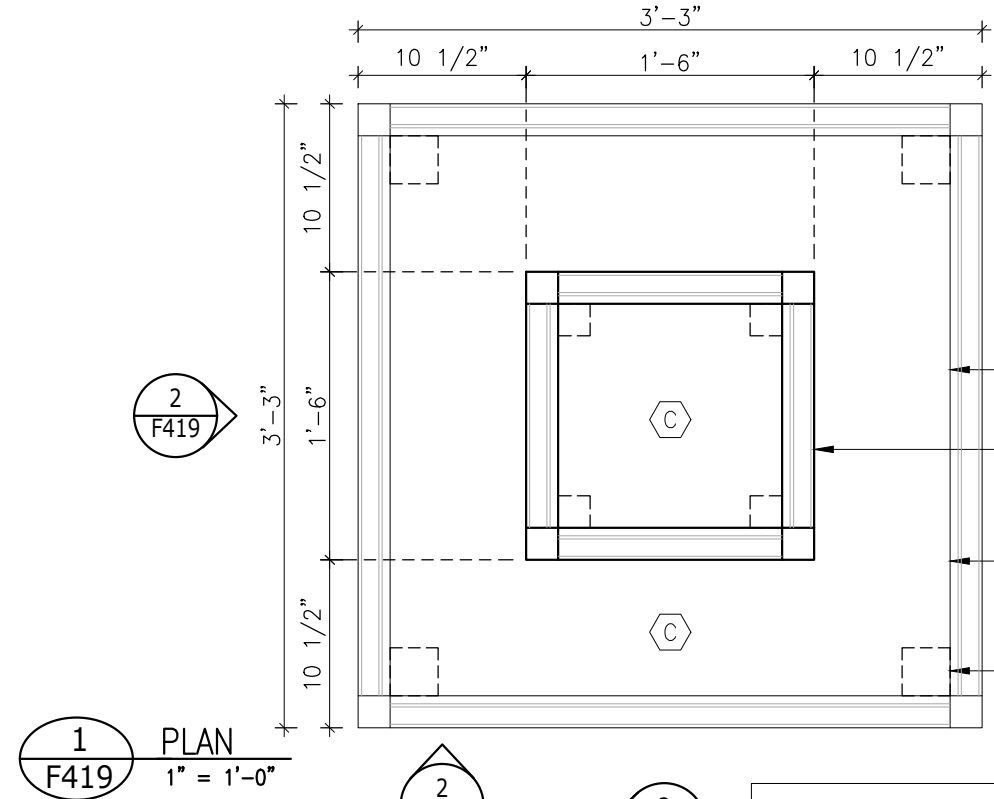
2 ELEVATION
F418 3/4" = 1'-0"



3 SIDE ELEVATION
F418 3/4" = 1'-0"



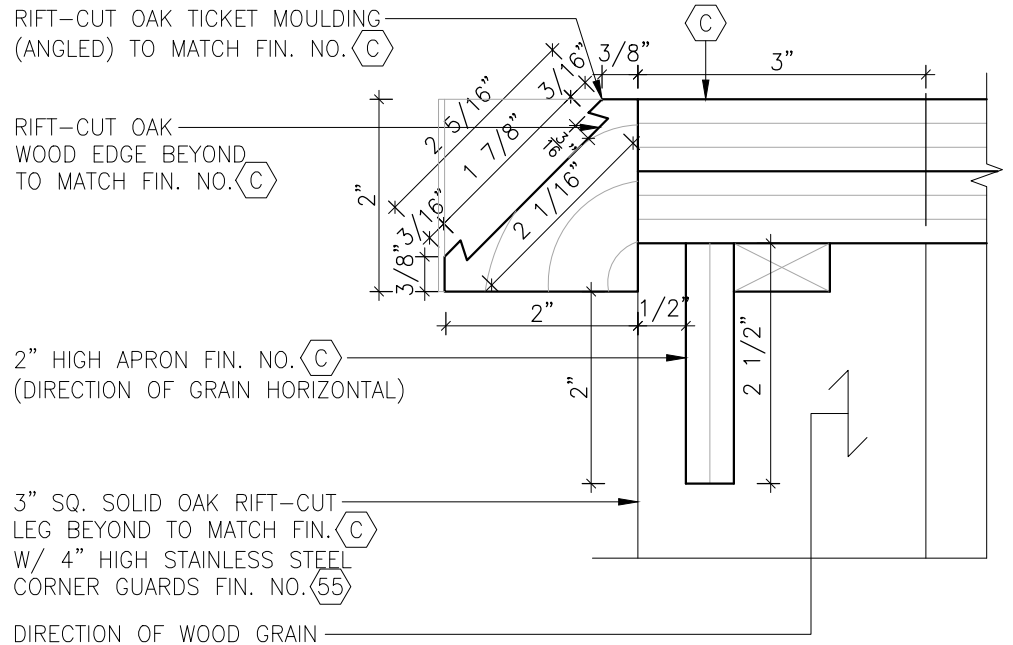
400 OUR WINE COUNTRY ONTARIO	REVISION DATE	REV.	1 of 1	ISSUE DATE	STORE TYPE	STORE #
OUR WINE COUNTRY ONTARIO HARVEST TABLE (5'-0")	2017 NOV	15	F418	2021 APR		



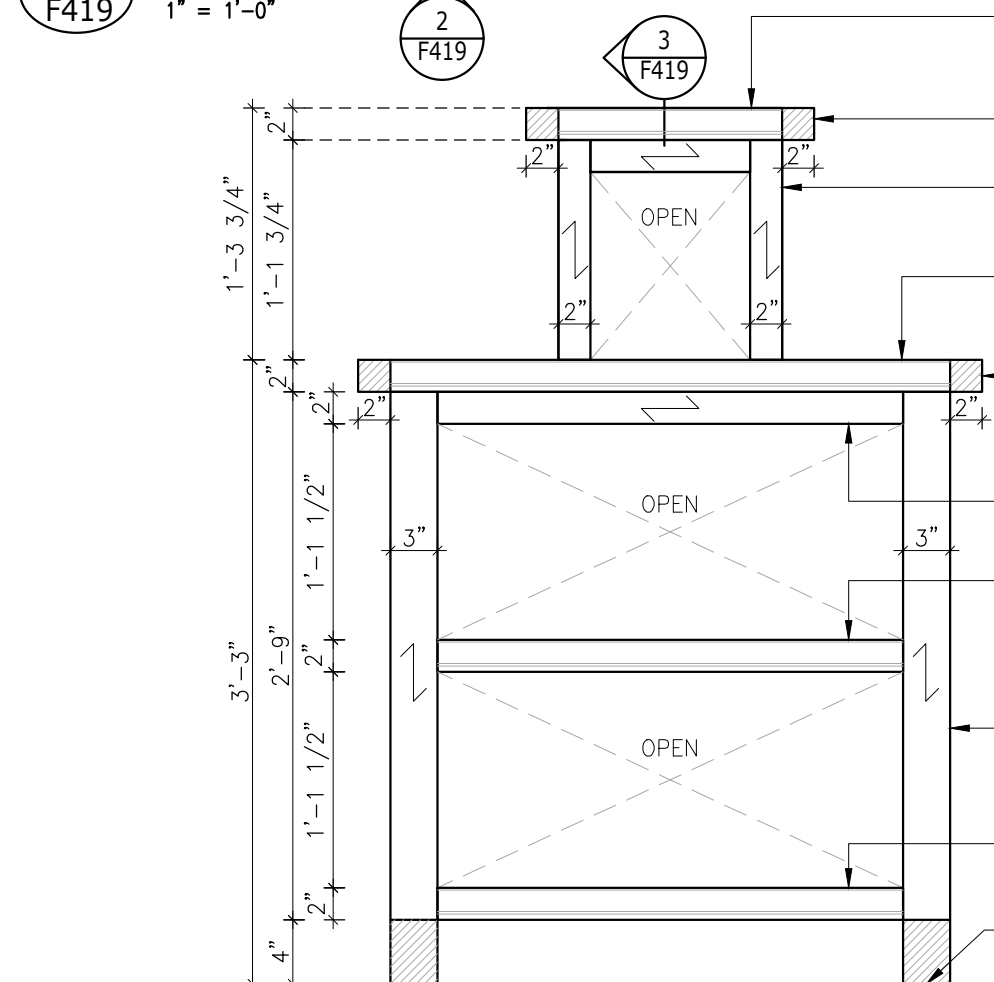
1 PLAN
F419
1" = 1'-0"

NOTE:
SOLID WOOD GRADE TO BE FAS

- DOTTED LINE OF EXTENT OF SHELF BELOW
- SOLID WOOD TOP TO MATCH FIN. (C) W/ 2" OAK RIFT-CUT ANGLED WOOD TICKET MOULDING (ALL SIDES) TO MATCH FIN. (C)
- SOLID WOOD COUNTERTOP TO MATCH FIN. (C) W/ 2" OAK RIFT-CUT ANGLED WOOD TICKET MOULDING (ALL SIDES) TO MATCH FIN. (C)
- 3" SQ. SOLID OAK RIFT-CUT LEGS TO MATCH FIN. (C) W/ 4" HIGH STAINLESS STEEL CORNER GUARDS FIN. NO. (55)

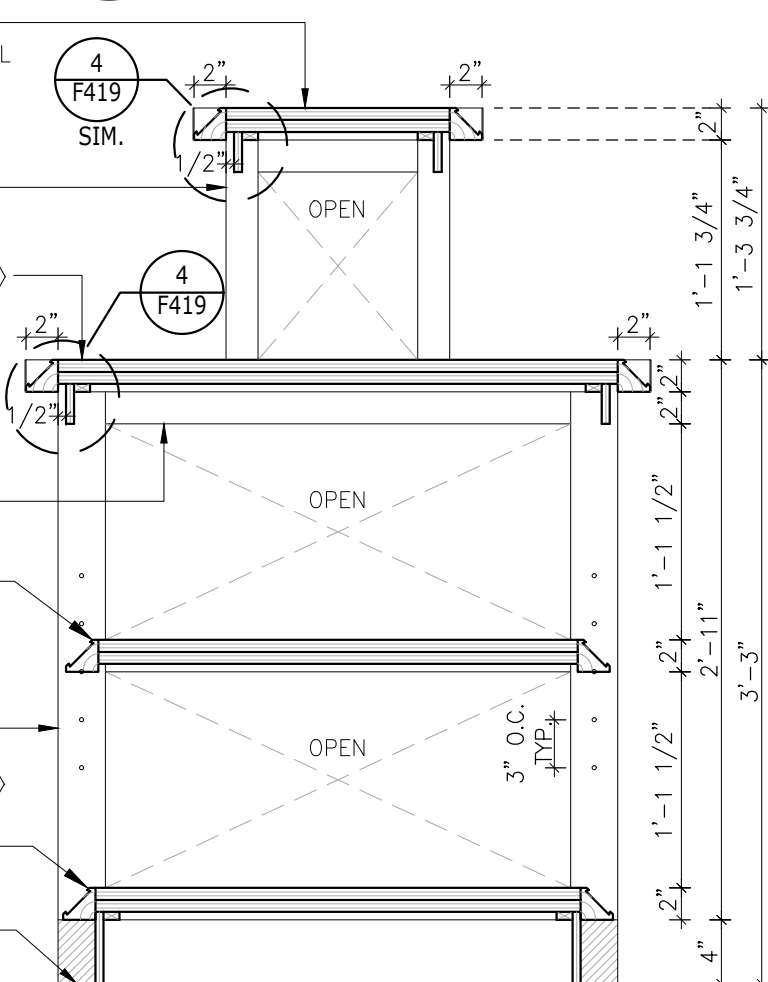


4 DETAIL
F419
6" = 1'-0"



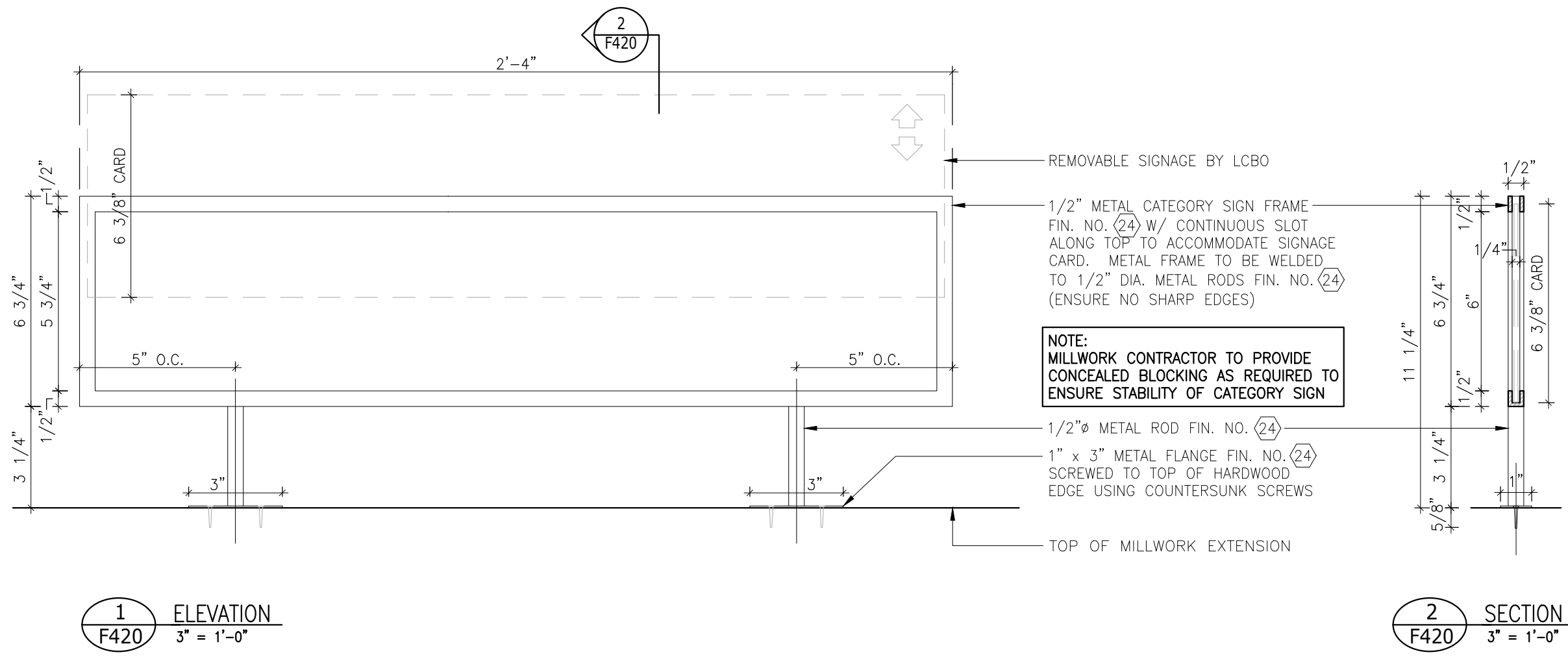
2 ELEVATION
F419
1" = 1'-0"

- SOLID WOOD TOP TO MATCH FIN. (C) W/ 2" RIFT-CUT ANGLED WOOD TICKET MOULDING (ALL SIDES) TO MATCH FIN. (C)
- 2" x 2" METAL CORNER GUARDS FIN. NO. (55) (ENSURE NO SHARP EDGES)
- REMOVABLE DISPLAY TABLE W/ 2" SQ. SOLID WOOD RIFT-CUT LEGS TO MATCH FIN. (C) PROVIDE VINYL LEG GLIDES TO ALL LEGS
- RIFT-CUT OAK COUNTERTOP TO MATCH FIN. (C) W/ 2" RIFT-CUT ANGLED WOOD TICKET MOULDING (ALL SIDES) TO MATCH FIN. (C)
- 2" x 2" METAL CORNER GUARDS FIN. NO. (55) (ENSURE NO SHARP EDGES)
- 2" HIGH APRON FIN. NO. (C) (DIRECTION OF GRAIN HORIZONTAL)
- ADJ. SHELF W/ ANGLED OAK RIFT-CUT WOOD TICKET MOULDING (ALL SIDES) FIN. (C) ON RECESSED METAL PINS & FERRULES FIN. NO. (55)
- 3" SQ. SOLID OAK RIFT-CUT LEGS TO MATCH FIN. (C) W/ 4" HIGH STAINLESS STEEL CORNER GUARDS FIN. NO. (55)
- FIXED SHELF W/ ANGLED WOOD TICKET MOULDING (ALL SIDES) FIN. (C)
- PROVIDE HEAVY DUTY LEVELLERS

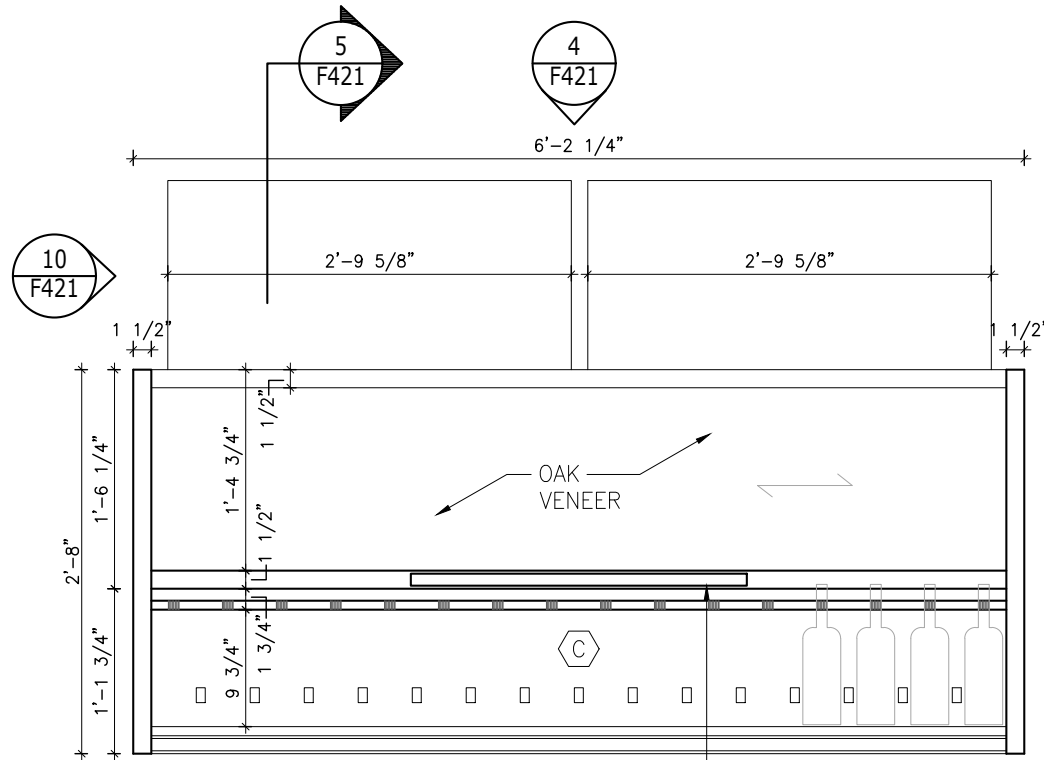


3 SECTION
F419
1" = 1'-0"

LCBO	400 OUR WINE COUNTRY ONTARIO	REVISION DATE	REV.	1 of 1	ISSUE DATE	STORE TYPE	STORE #
	OUR WINE COUNTRY ONTARIO 3'-3" SQUARE PROMO TABLE	2017 NOV	15	F419	2021 APR		



LCBO	400 OUR WINE COUNTRY ONTARIO	REVISION DATE	REV.	1 of 1	ISSUE DATE	STORE TYPE	STORE #
	OUR WINE COUNTRY ONTARIO "VINTAGES" CATEGORY SIGN	2015 MAR23	12	F420	2021 APR		



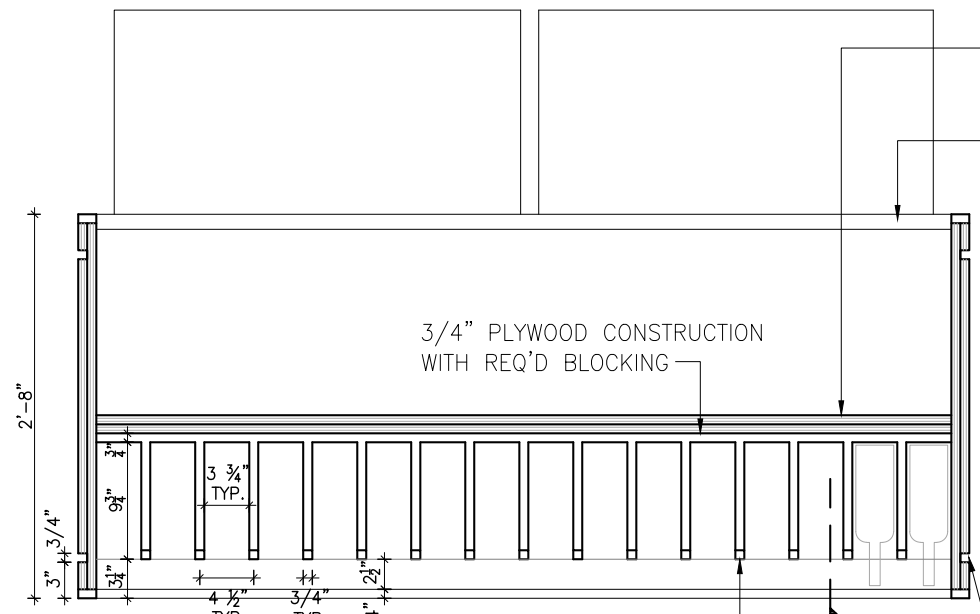
1 PLAN
F421 3/4" = 1'-0"

3 F421

VINTAGES CATEGORY SIGN F420 W/ 1/2" METAL FRAME FIN. NO. (24) ENSURE ROD LOCATIONS DO NOT INTERFERE W/ BOTTLE NECKS

NOTE: THIS UNIT TO BE FABRICATED KNOCK DOWN IN SECTIONS TO FIT THROUGH 36" WIDE MAX. DOOR

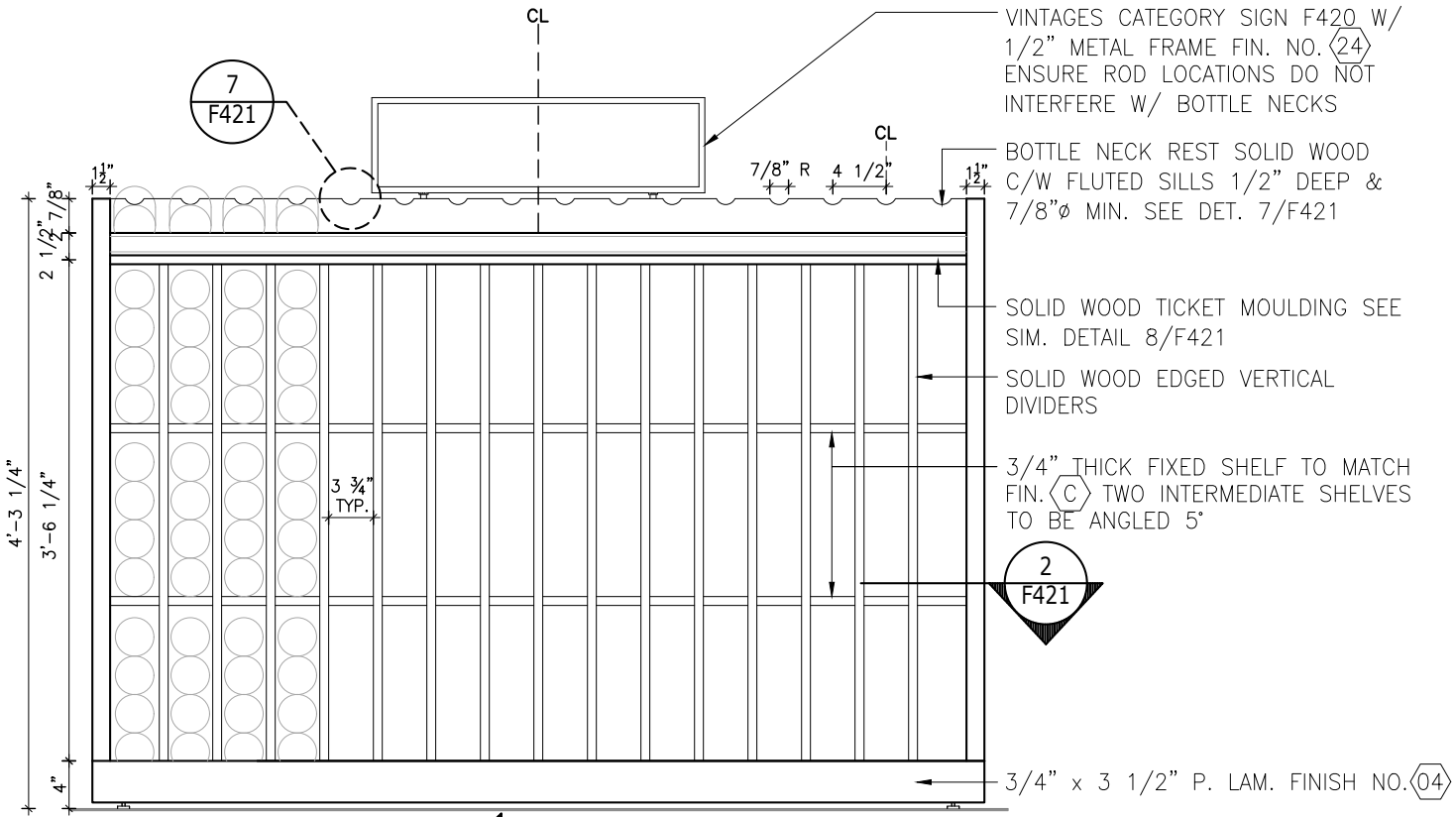
2 LAYERS 3/4" PLY FIN. (C) W/ 1 1/2" x 1 1/2" SOLID WOOD EDGE TO MATCH FIN. (C)
3/4" PLY BASE FIN. (C) W/ 1 1/2" x 1 1/2" SOLID WOOD EDGE TO MATCH FIN. (C)



2 PLAN
F421 3/4" = 1'-0"

5 F421

RECESSED SLOTTED STANDARDS FIN. NO. (55)



3 ELEVATION
F421 3/4" = 1'-0"

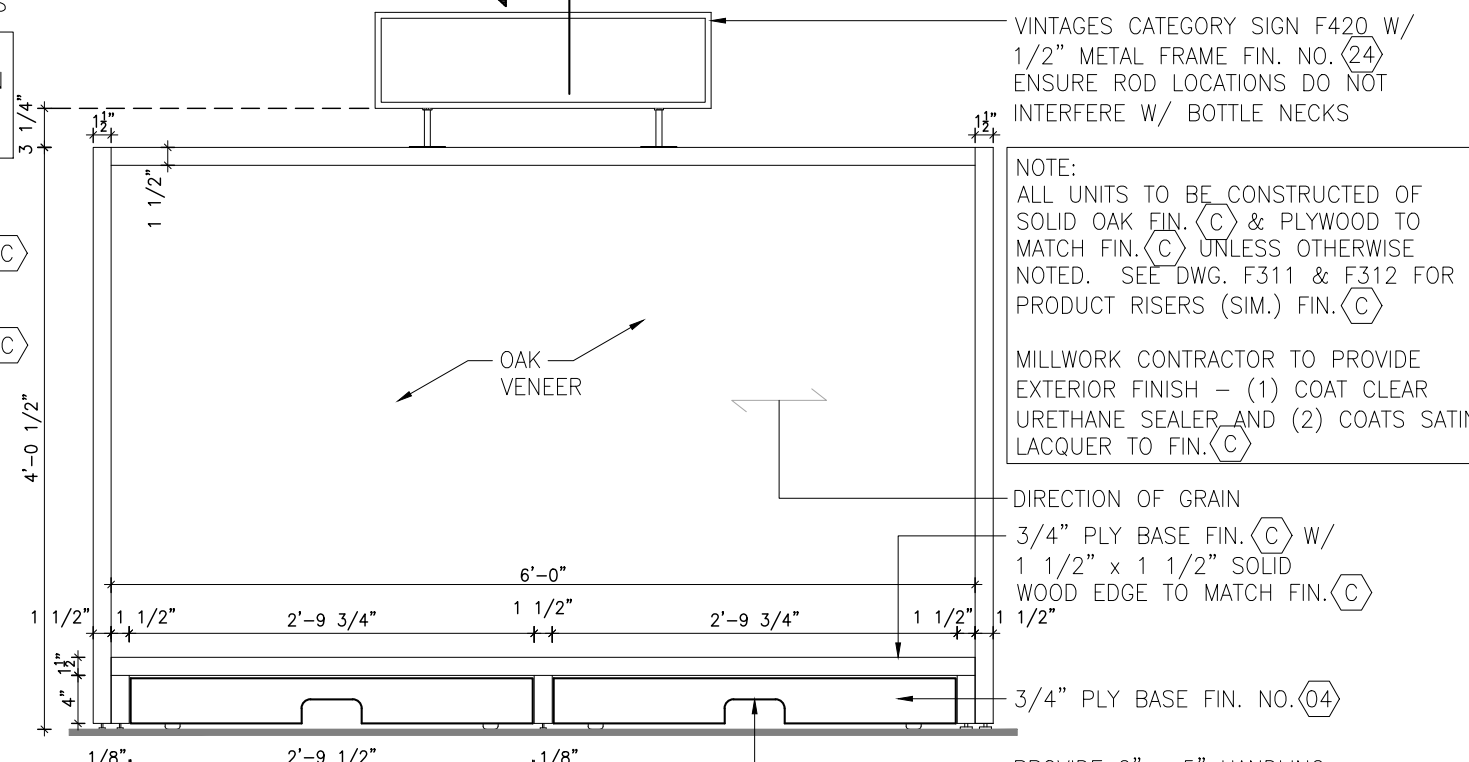
5 F421

NOTE: SOLID WOOD GRADE TO BE FAS

VINTAGES CATEGORY SIGN F420 W/ 1/2" METAL FRAME FIN. NO. (24) ENSURE ROD LOCATIONS DO NOT INTERFERE W/ BOTTLE NECKS

NOTE: ALL UNITS TO BE CONSTRUCTED OF SOLID OAK FIN. (C) & PLYWOOD TO MATCH FIN. (C) UNLESS OTHERWISE NOTED. SEE DWG. F311 & F312 FOR PRODUCT RISERS (SIM.) FIN. (C)

MILLWORK CONTRACTOR TO PROVIDE EXTERIOR FINISH - (1) COAT CLEAR URETHANE SEALER AND (2) COATS SATIN LACQUER TO FIN. (C)



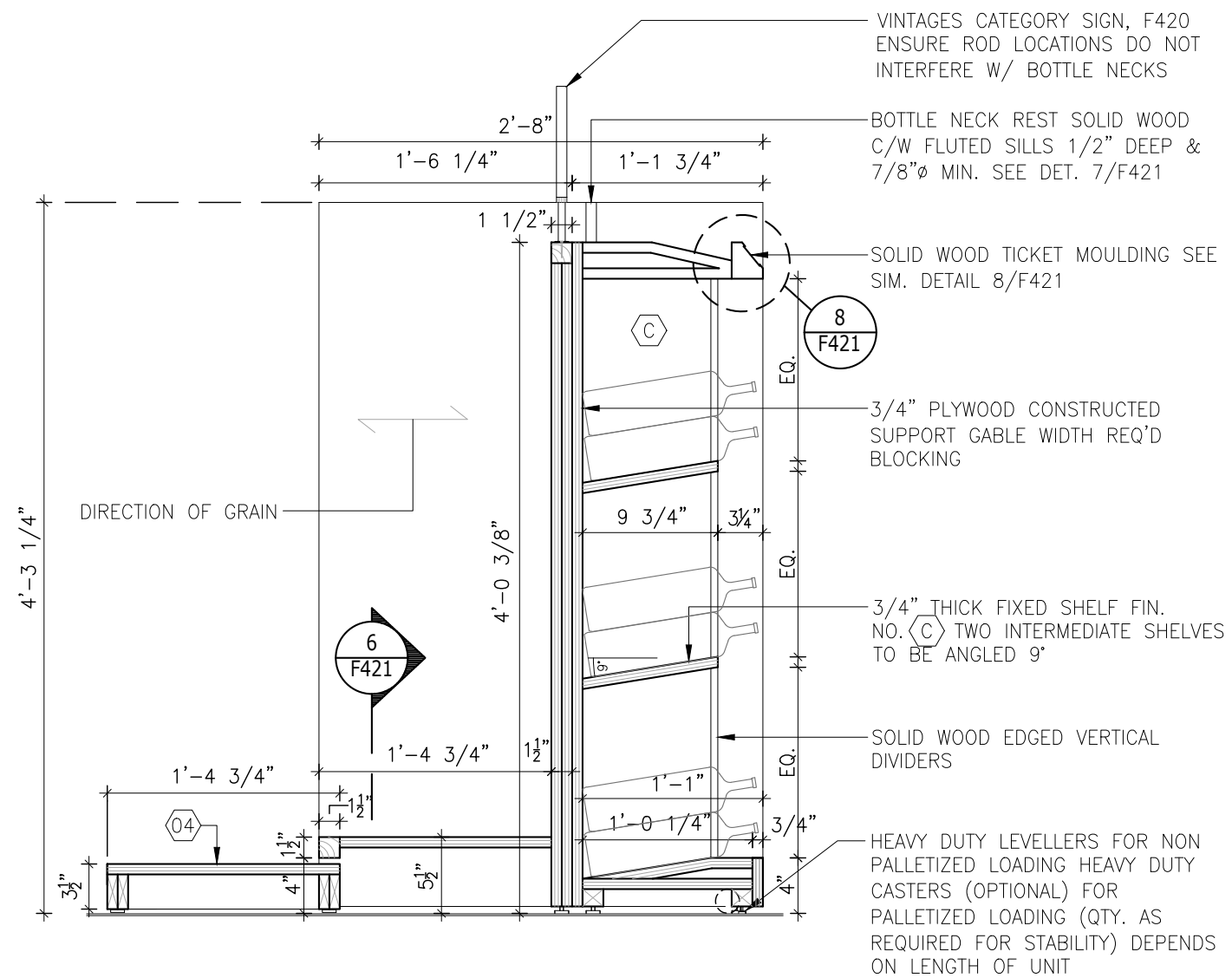
4 ELEVATION
F421 3/4" = 1'-0"

DIRECTION OF GRAIN
3/4" PLY BASE FIN. (C) W/ 1 1/2" x 1 1/2" SOLID WOOD EDGE TO MATCH FIN. (C)

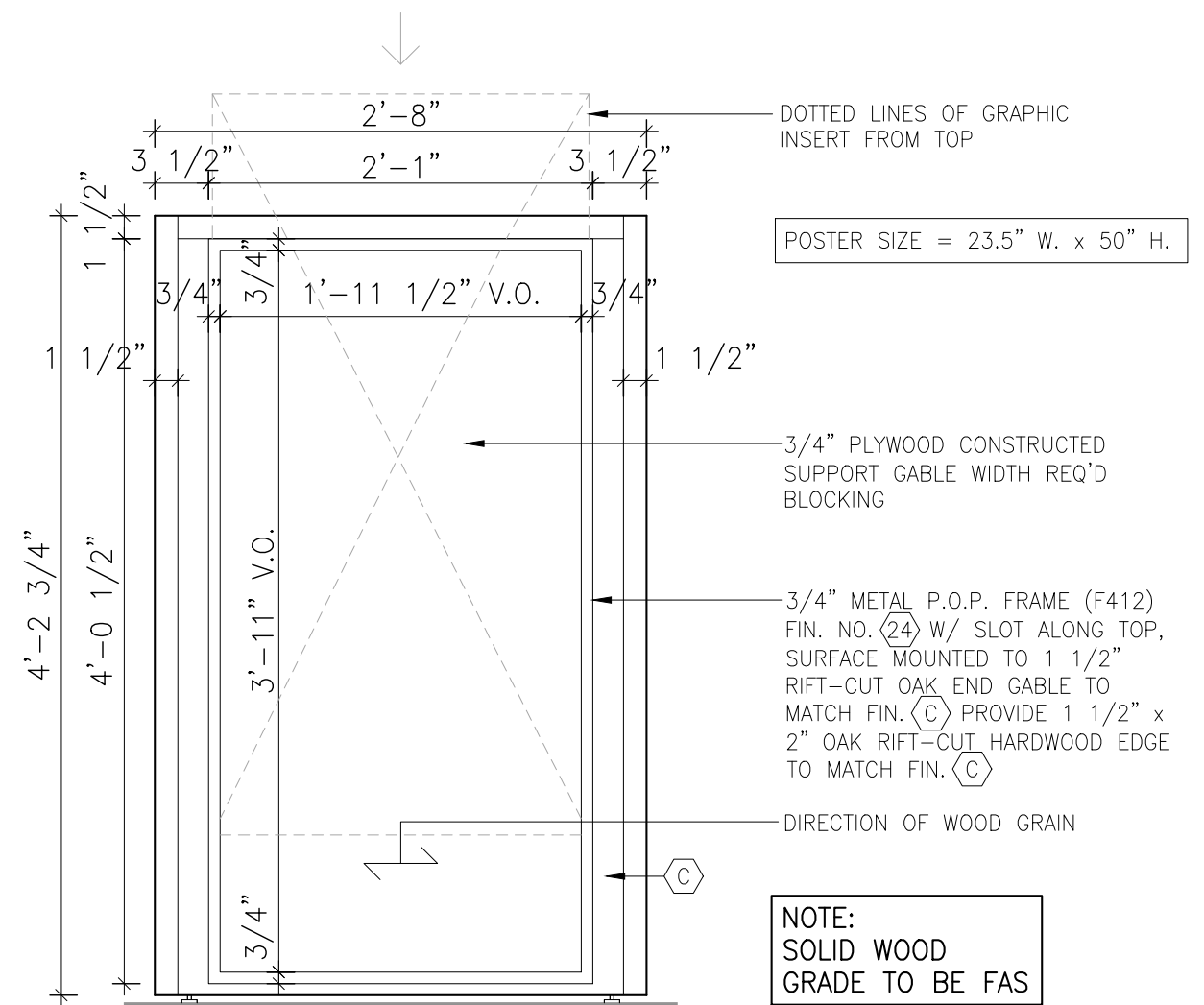
3/4" PLY BASE FIN. NO. (04)

PROVIDE 2" x 5" HANDLING CUT-OUTS W/ 3/4" RADIUS TO INSIDE CORNERS

LCBO	400 OUR WINE COUNTRY ONTARIO	REVISION DATE	REV.	1 of 3	ISSUE DATE	STORE TYPE	STORE #
	OUR WINE COUNTRY ONTARIO HALF TROLLEY/RELEASE PLINTH	2017 NOV	15	F421	2021 APR		

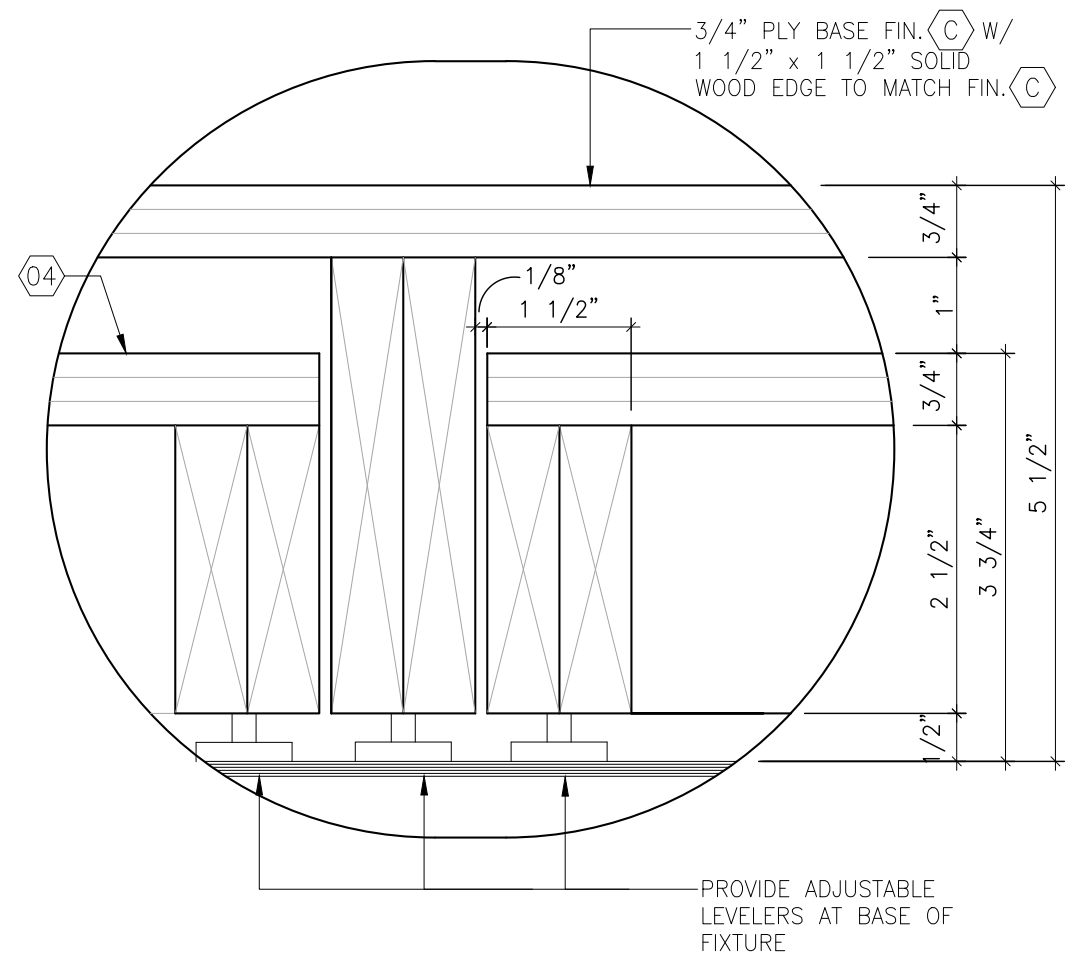


5
SECTION
F421
1" = 1'-0"



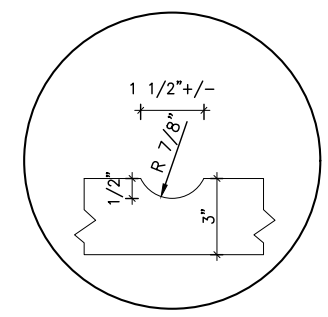
10
ELEVATION
F421
1" = 1'-0"

LCBO	400 OUR WINE COUNTRY ONTARIO	REVISION DATE	REV.	2 of 3	ISSUE DATE	STORE TYPE	STORE #
	OUR WINE COUNTRY ONTARIO HALF TROLLEY/RELEASE PLINTH	2017 NOV	15	F421	2021 APR		

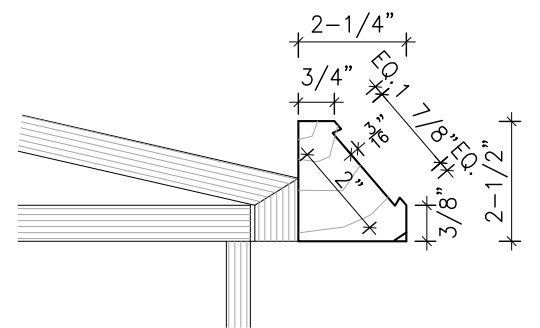


6
F421
DETAIL
6" = 1'-0"

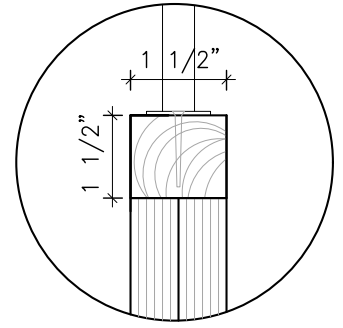
NOTE: PROVIDE STOPPER AT BACK OF PLINTH. PLINTH TO BE REMOVABLE.



7
F421
DETAIL (BOTTLE NECKREST)
N.T.S.



8
F421
SECTION
N.T.S.



9
F421
SECTION
1" = 1'-0"

LCBO	400 OUR WINE COUNTRY ONTARIO	REVISION DATE	REV.	3 of 3	ISSUE DATE	STORE TYPE	STORE #
	OUR WINE COUNTRY ONTARIO HALF TROLLEY/RELEASE PLINTH	2015 MAR23	12	F421	2021 APR		



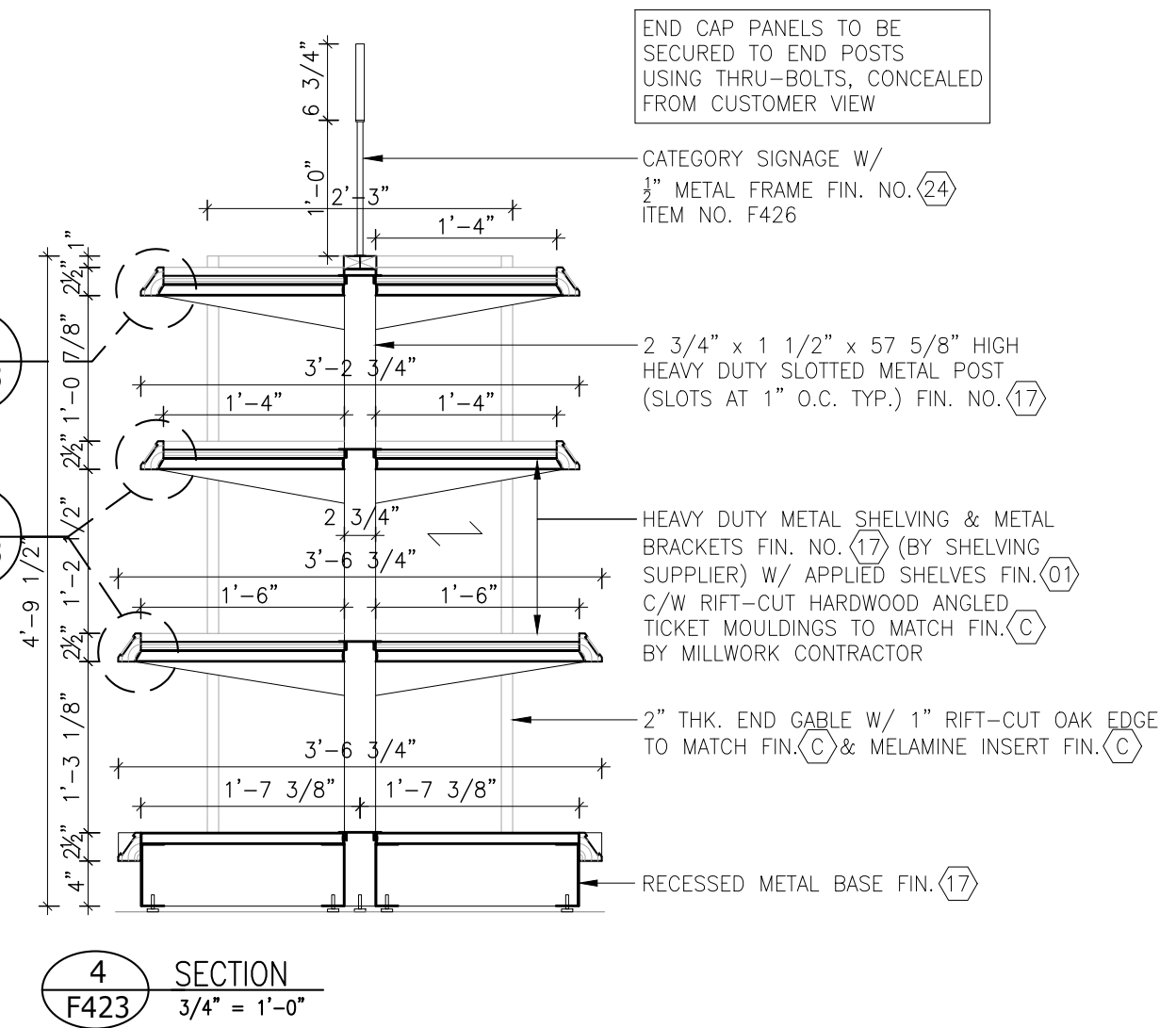
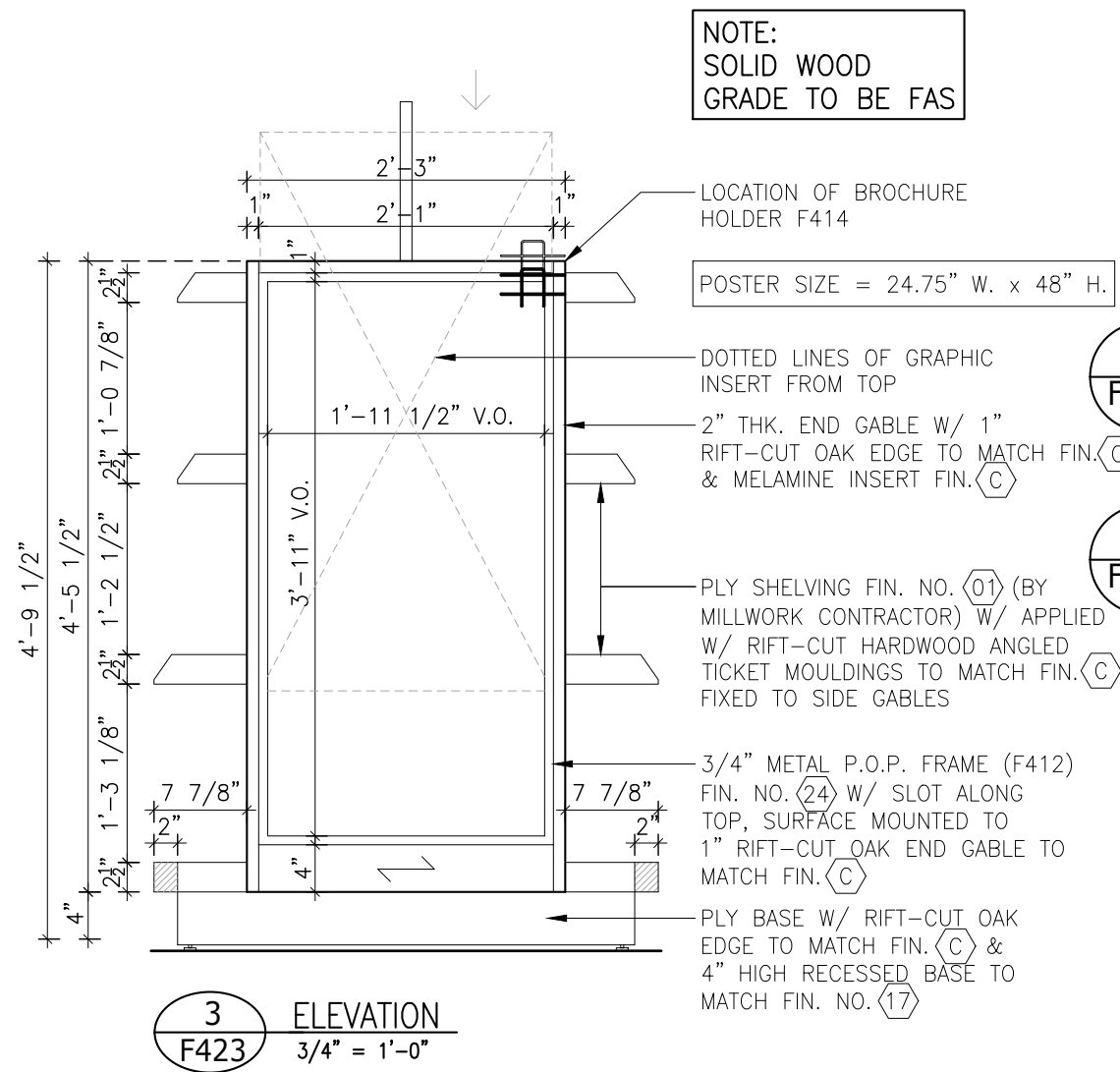
Tolix-Style Counter Stool

12-1/4" x 12-1/4" seat
Legs: 17-1/3" x 17-1/3" x 25-1/2" Seat Height

1.0 mm sheet steel
Brushed galvanization + clear coat finish

CONTACT: HENRY AKERBOOM
1200 CASTLEFIELD AVENUE
TORONTO, ON
M6B 1G2
PHONE: 416-937-0465
EMAIL: HENRY@MOUNTAINHOUSECONTRACT.COM

LCBO	400 OUR WINE COUNTRY ONTARIO	REVISION DATE	REV.	1 of 1	ISSUE DATE	STORE TYPE	STORE #
	OUR WINE COUNTRY ONTARIO TOLIX-STYLE COUNTER STOOL	2015 MAR23	12	F422	2021 APR		



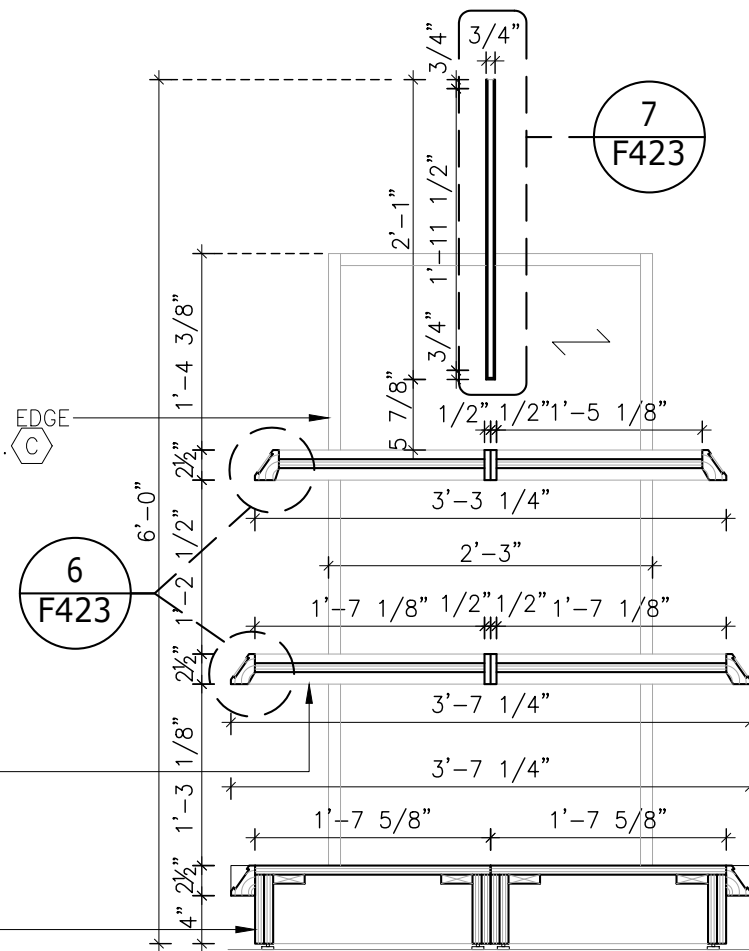
LCBO	400 OUR WINE COUNTRY ONTARIO	REVISION DATE	REV.	2 of 3	ISSUE DATE	STORE TYPE	STORE #
	OUR WINE COUNTRY ONTARIO 4'-0" METAL FLOOR GONDOLA (4-HIGH)	2019 APR	16	F423	2021 APR		

NOTE:
SOLID WOOD GRADE TO BE FAS

2" THK. END GABLE W/ 1" RIFT-CUT OAK EDGE
TO MATCH FIN. (C) & MELAMINE INSERT FIN. (C)

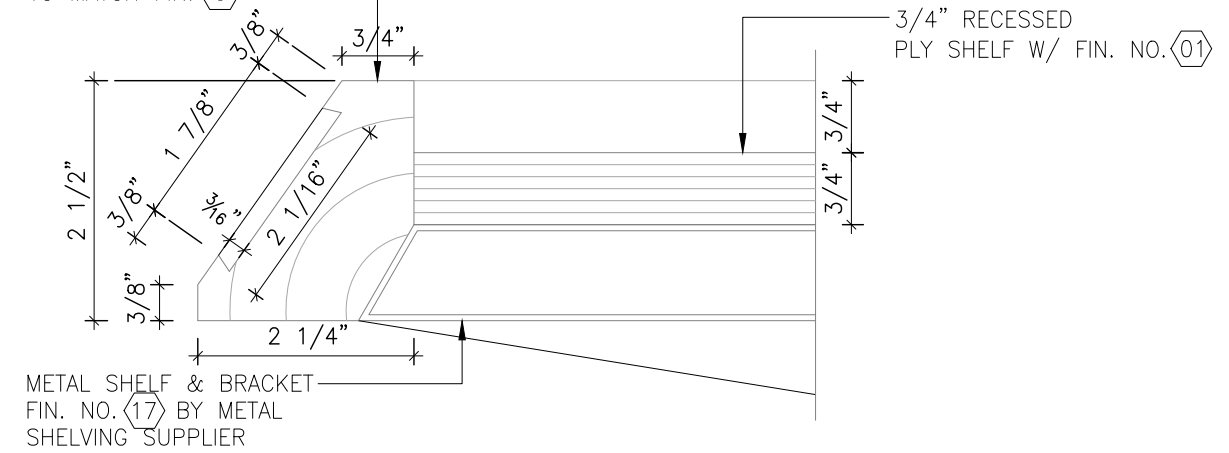
PLY SHELVING FIN. NO. (01) (BY
MILLWORK CONTRACTOR) W/ APPLIED
W/ RIFT-CUT HARDWOOD ANGLED
TICKET MOULDINGS TO MATCH FIN. (C)
FIXED TO SIDE GABLES

RECESSED METAL BASE FIN. (17)



5 SECTION
F423 3/4" = 1'-0"

RIFT-CUT HARDWOOD WHITE OAK
TICKET MOULDING (ANGLED)
TO MATCH FIN. (C)



6 DETAIL
F423 6" = 1'-0"

3/4" METAL FRAME FIN. NO. (24)
W/ CONTINUOUS SLOT ALONG
TOP TO ACCOMMODATE
GRAPHIC INSERT
(ENSURE NO SHARP EDGES)

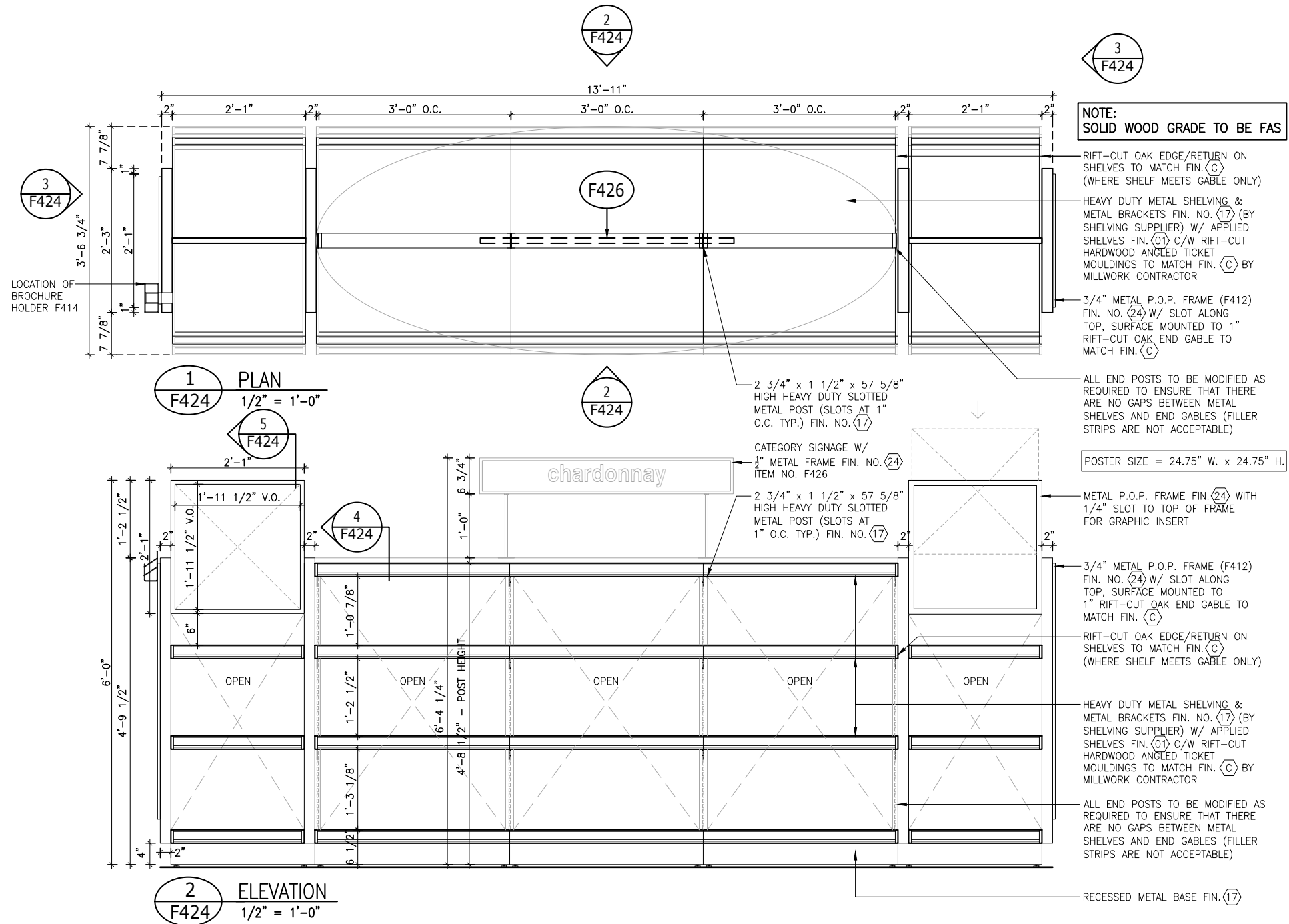
DOTTED LINES OF
POSTER SIZE =
24.75" W. x 24.75" H.

PROVIDE ADDITIONAL SLOT
INSIDE FRAME (BOTTOM &
SIDES) IN ORDER TO
PREVENT GRAPHIC INSERT
FROM BUCKLING

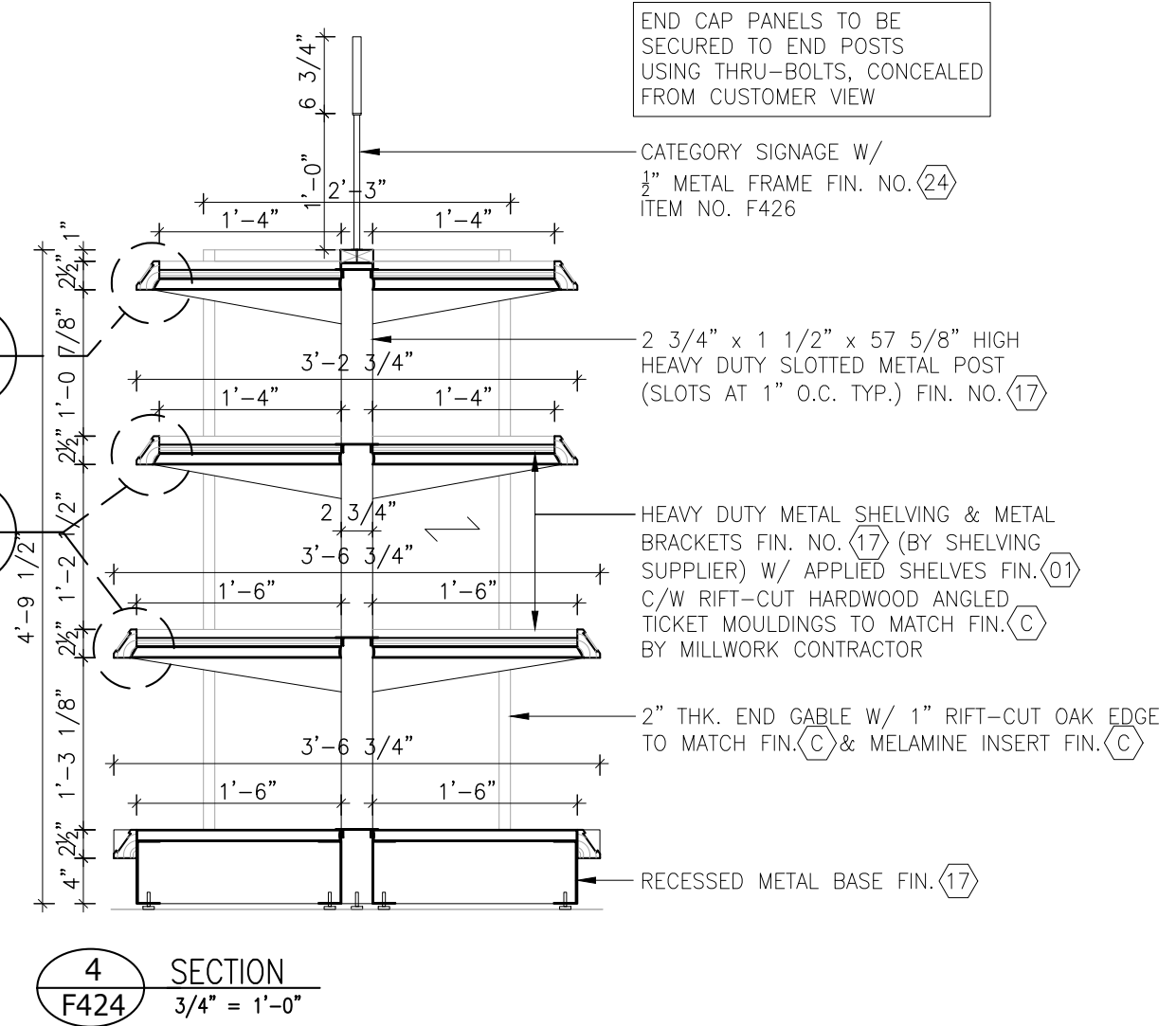
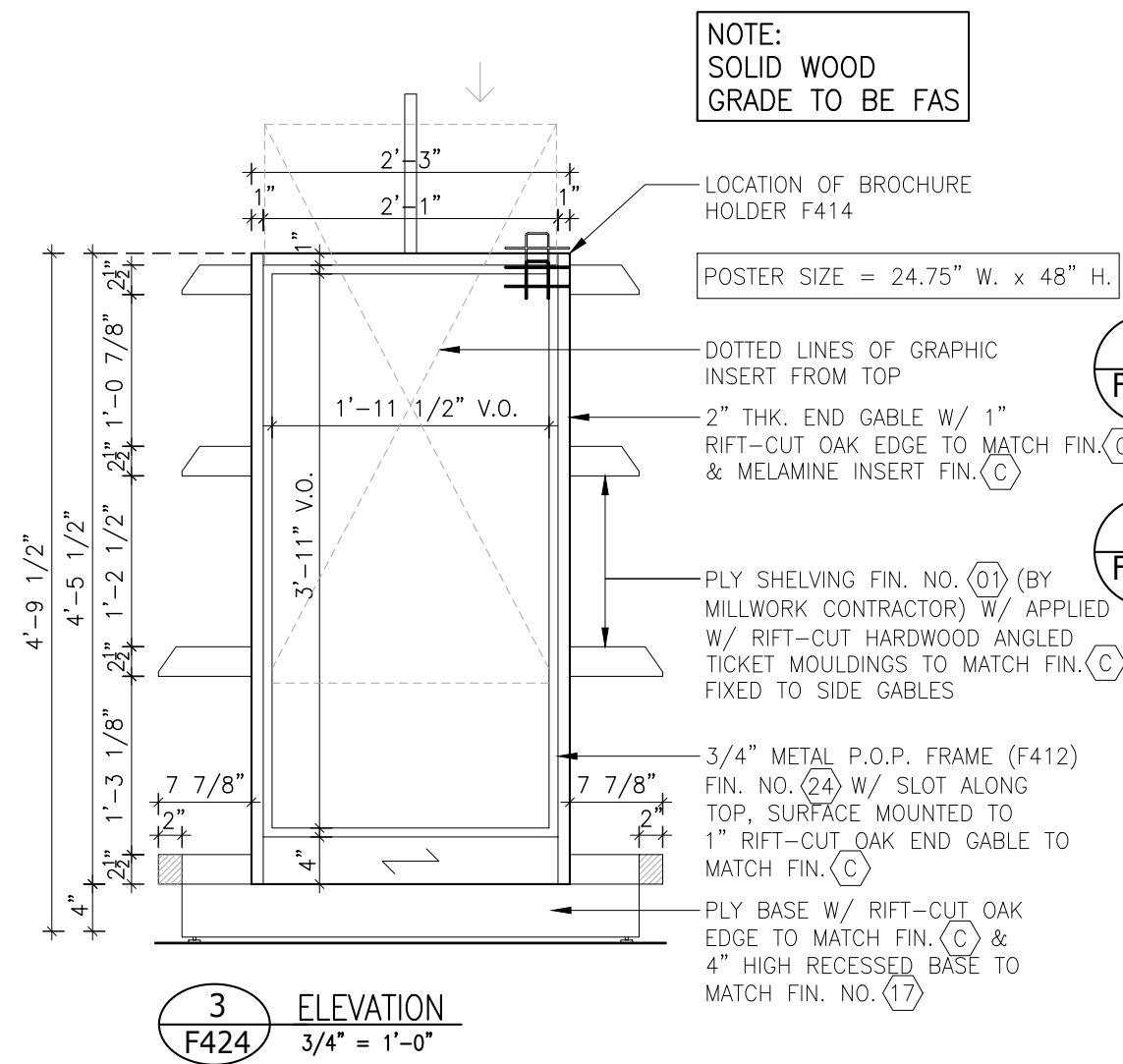


7 DETAIL
F423 6" = 1'-0"

LCBO	400 OUR WINE COUNTRY ONTARIO	REVISION DATE	REV.	3 of 3	ISSUE DATE	STORE TYPE	STORE #
	OUR WINE COUNTRY ONTARIO 4'-0" METAL FLOOR GONDOLA (4-HIGH)	2017 NOV	15	F423	2021 APR		



LCBO	400 OUR WINE COUNTRY ONTARIO	REVISION DATE	REV.	1 of 3	ISSUE DATE	STORE TYPE	STORE #
	OUR WINE COUNTRY ONTARIO 3'-0" METAL FLOOR GONDOLA (4-HIGH)	2019 APR	16	F424	2021 APR		



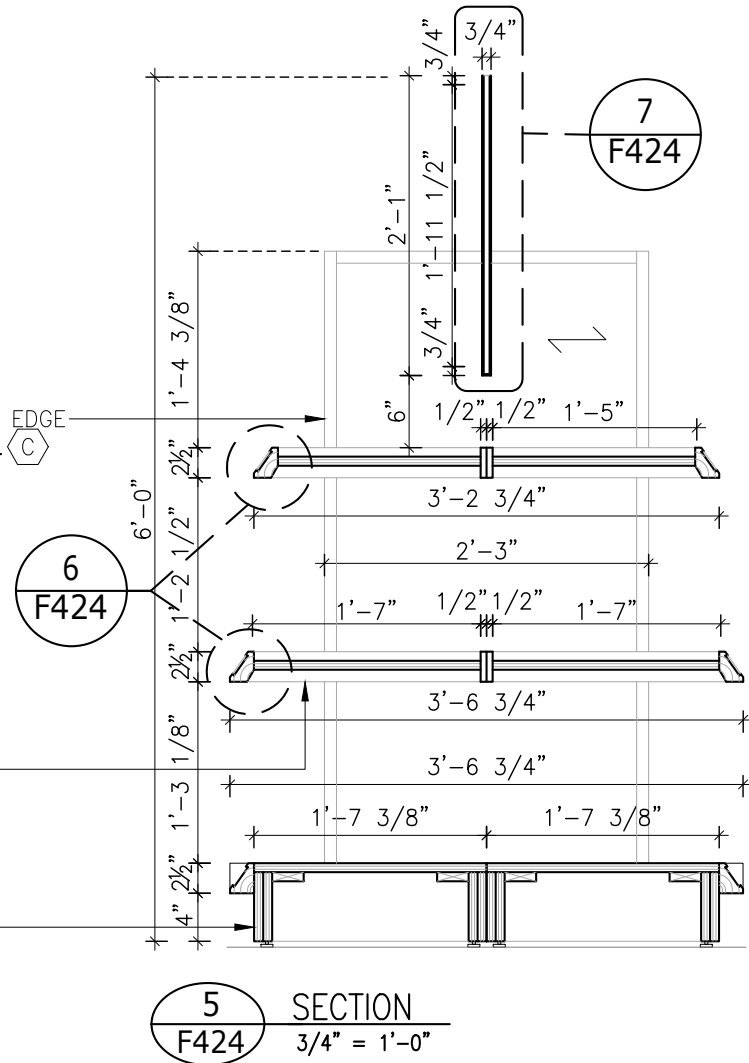
LCBO	400 OUR WINE COUNTRY ONTARIO	REVISION DATE	REV.	2 of 3	ISSUE DATE	STORE TYPE	STORE #
	OUR WINE COUNTRY ONTARIO 3'-0" METAL FLOOR GONDOLA (4-HIGH)	2019 APR	16	F424	2021 APR		

NOTE:
SOLID WOOD GRADE TO BE FAS

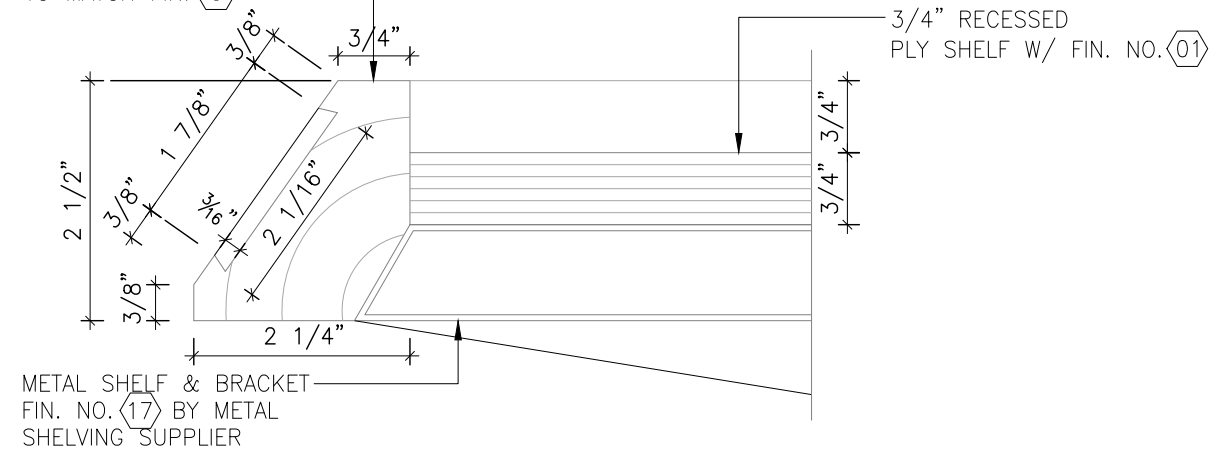
2" THK. END GABLE W/ 1" RIFT-CUT OAK EDGE TO MATCH FIN. (C) & MELAMINE INSERT FIN. (C)

PLY SHELVING FIN. NO. (01) (BY MILLWORK CONTRACTOR) W/ APPLIED W/ RIFT-CUT HARDWOOD ANGLED TICKET MOULDINGS TO MATCH FIN. (C) FIXED TO SIDE GABLES

RECESSED METAL BASE FIN. (17)



RIFT-CUT HARDWOOD WHITE OAK TICKET MOULDING (ANGLED) TO MATCH FIN. (C)

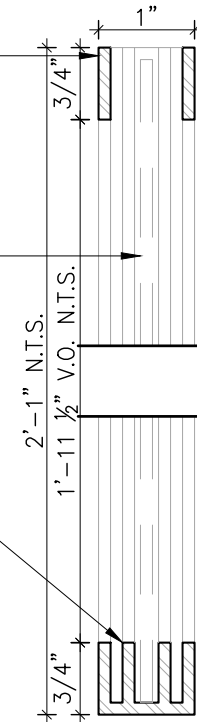


3/4" METAL FRAME FIN. NO. (24) W/ CONTINUOUS SLOT ALONG TOP TO ACCOMMODATE GRAPHIC INSERT (ENSURE NO SHARP EDGES)

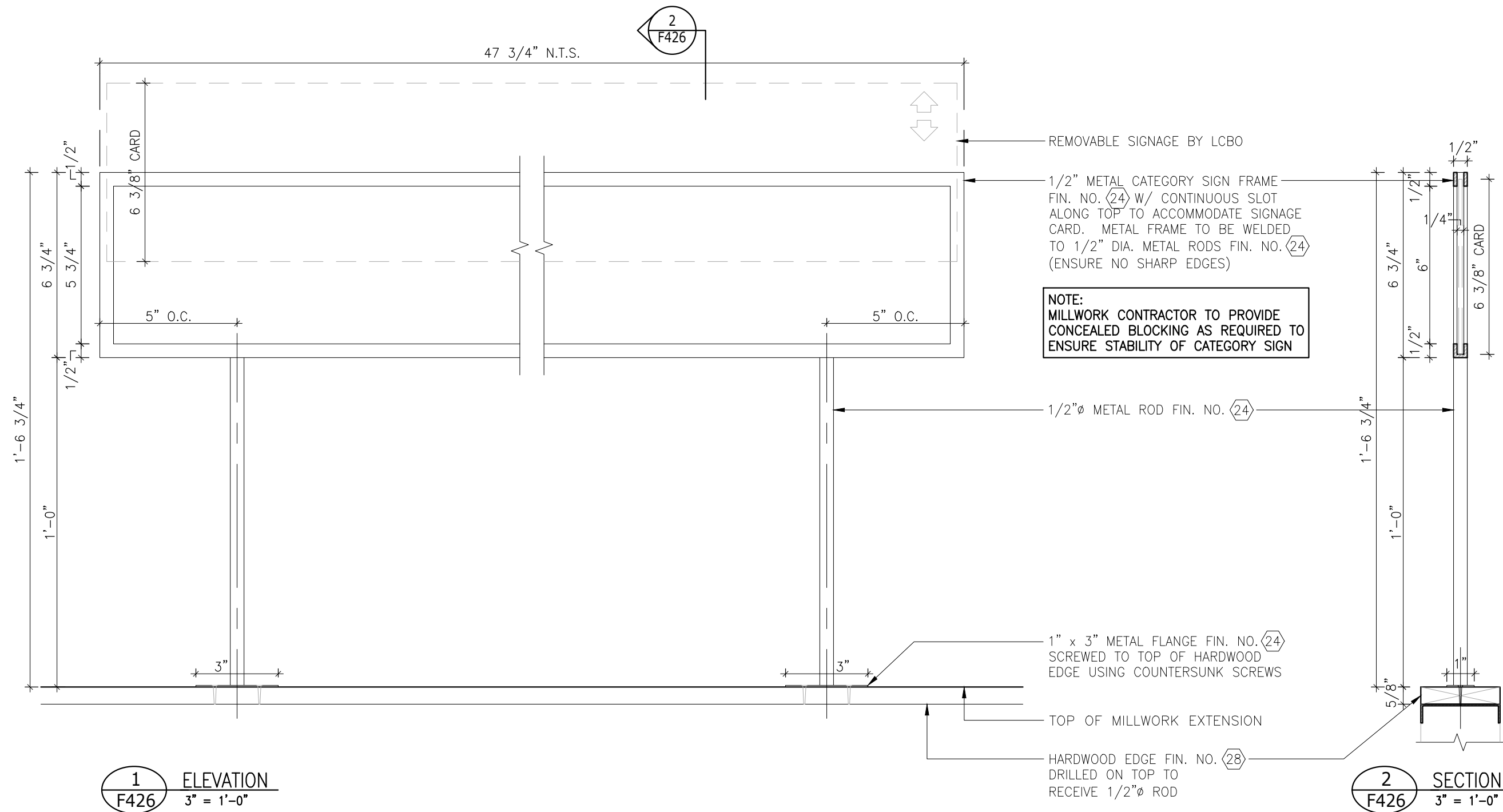
DOTTED LINES OF POSTER SIZE = 24.75" W. x 24.75" H.

PROVIDE ADDITIONAL SLOT INSIDE FRAME (BOTTOM & SIDES) IN ORDER TO PREVENT GRAPHIC INSERT FROM BUCKLING

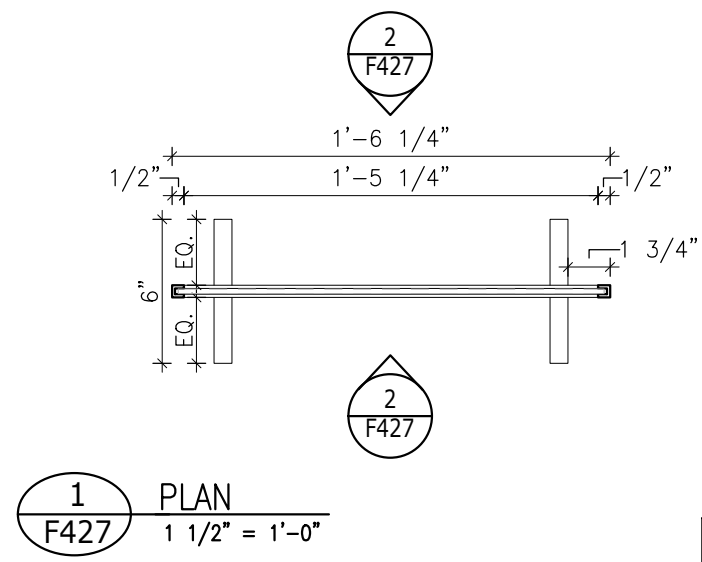
7 DETAIL
F424 6" = 1'-0"



LCBO	400 OUR WINE COUNTRY ONTARIO	REVISION DATE	REV.	3 of 3	ISSUE DATE	STORE TYPE	STORE #
	OUR WINE COUNTRY ONTARIO 3'-0" METAL FLOOR GONDOLA (4-HIGH)	2017 NOV	15	F424	2021 APR		

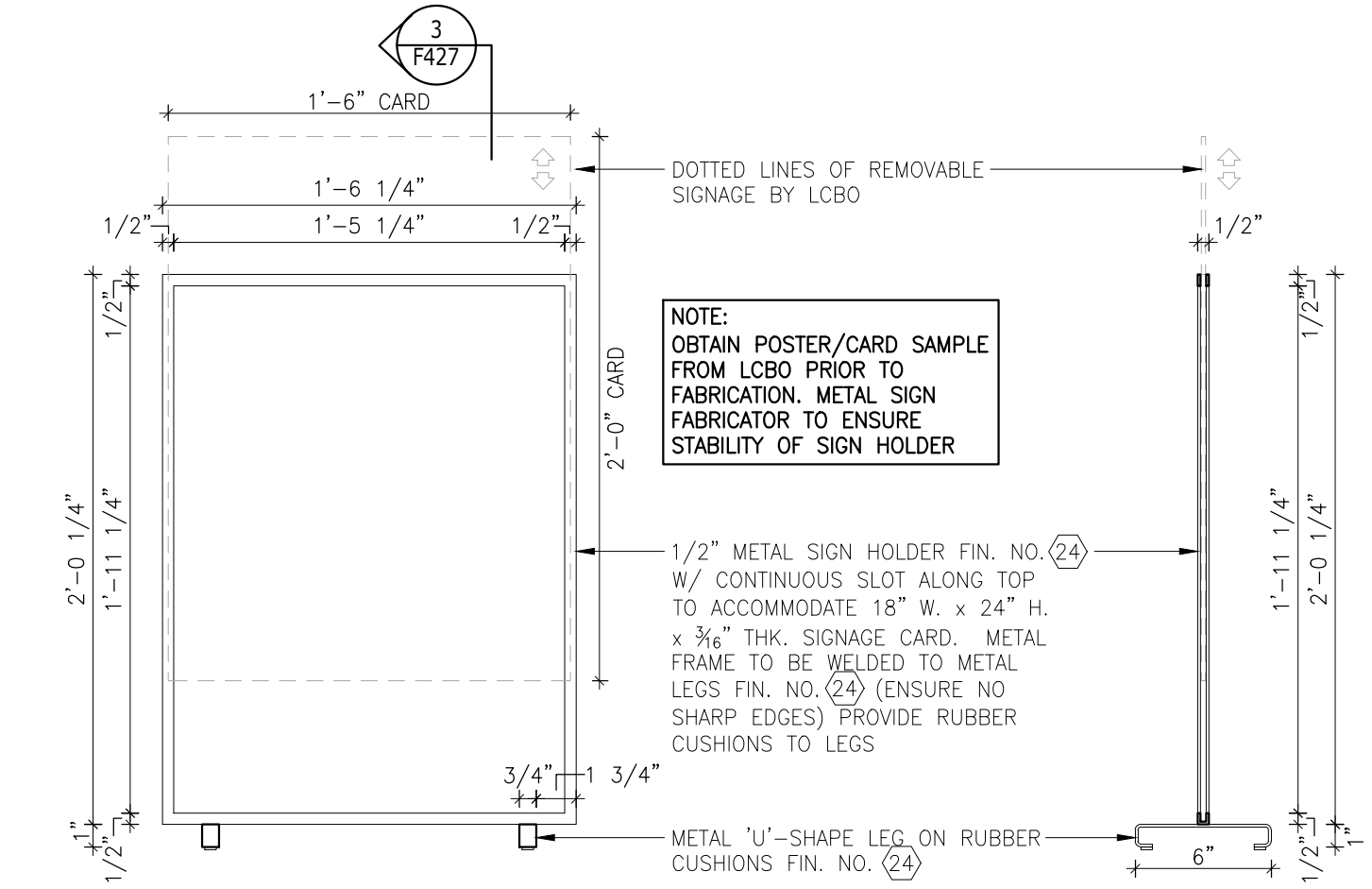


LCBO	400 OUR WINE COUNTRY ONTARIO	REVISION DATE	REV.	1 of 1	ISSUE DATE	STORE TYPE	STORE #
	OUR WINE COUNTRY ONTARIO GONDOLA METAL CATEGORY SIGN W/ 1'-0" STEMS	2019 APR	16	F426	2021 APR		



1
F427 PLAN
1 1/2" = 1'-0"

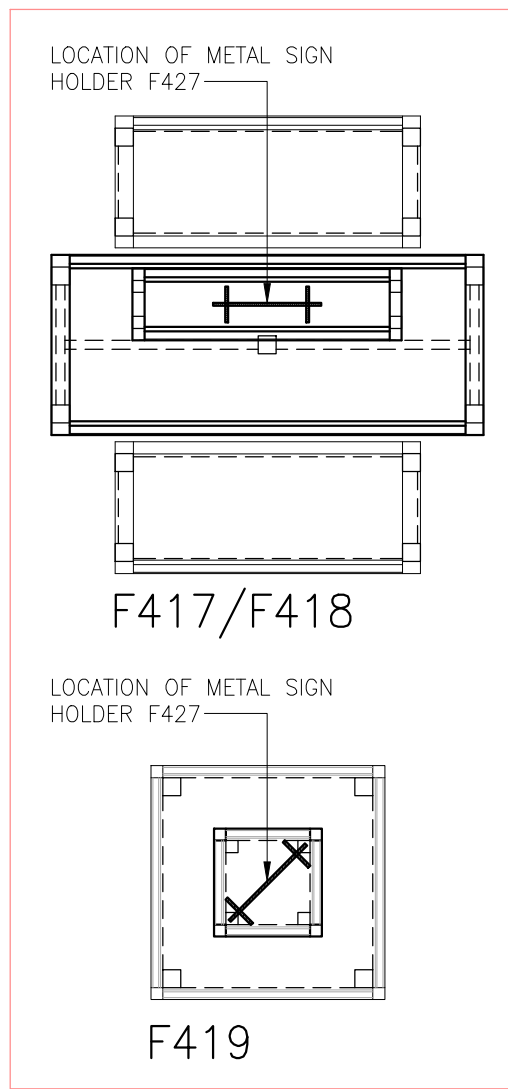
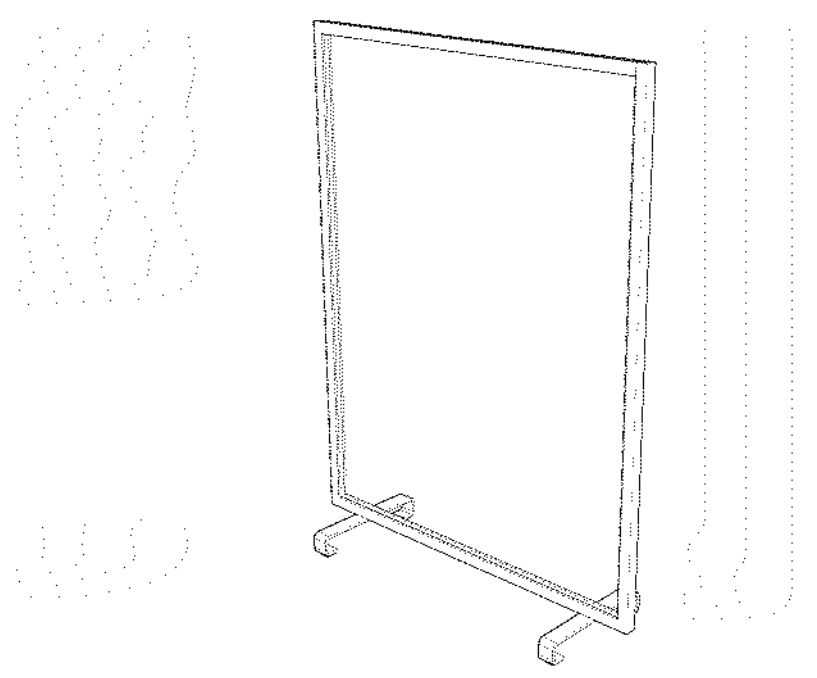
NOTE:
PROVIDE (1) SIGN HOLDER F427 PER
VQA NESTING TABLES (F417, F418) &
SQUARE TABLE (F419)



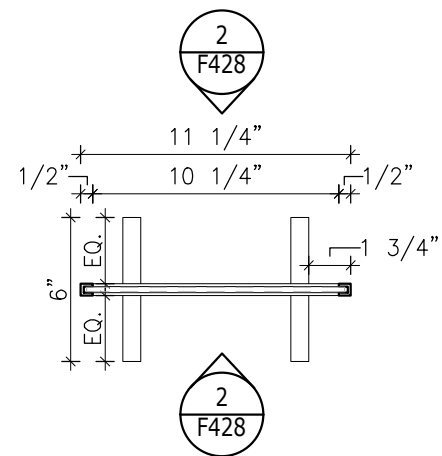
2
F427 ELEVATION
1 1/2" = 1'-0"

NOTE:
OBTAIN POSTER/CARD SAMPLE
FROM LCBO PRIOR TO
FABRICATION. METAL SIGN
FABRICATOR TO ENSURE
STABILITY OF SIGN HOLDER

3
F427 SECTION
1 1/2" = 1'-0"

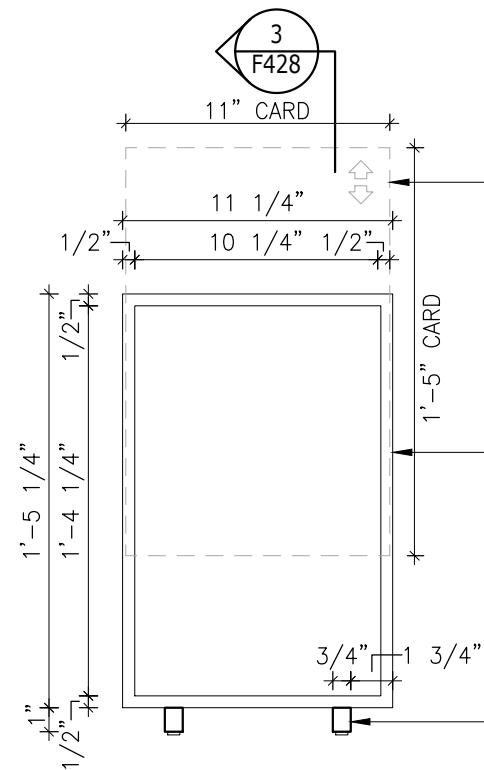
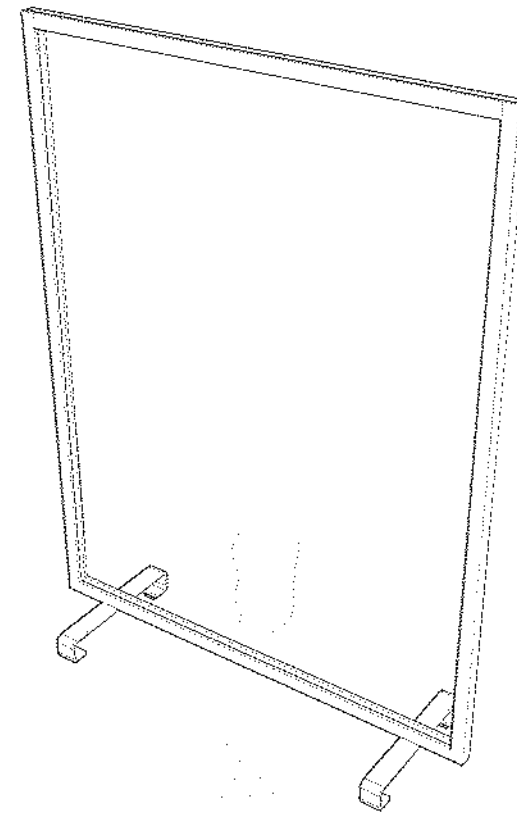


LCBO	400 OUR WINE COUNTRY ONTARIO	REVISION DATE	REV.	1 of 1	ISSUE DATE	STORE TYPE	STORE #
	OUR WINE COUNTRY ONTARIO 18" x 24" METAL SIGN HOLDER	2015 MAR23	12	F427	2021 APR		



1 PLAN
F428 1 1/2" = 1'-0"

NOTE:
PROVIDE (1) SIGN HOLDER F428 PER
VQA TASTING BAR (F415 & F416)

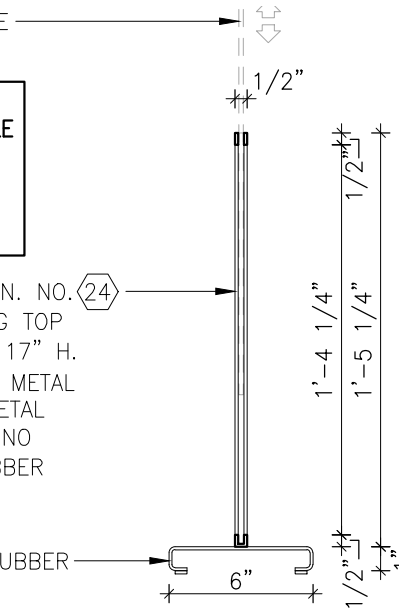


2 ELEVATION
F428 1 1/2" = 1'-0"

NOTE:
OBTAIN POSTER/CARD SAMPLE
FROM LCBO PRIOR TO
FABRICATION. METAL SIGN
FABRICATOR TO ENSURE
STABILITY OF SIGN HOLDER

1/2" METAL SIGN HOLDER FIN. NO. (24)
W/ CONTINUOUS SLOT ALONG TOP
TO ACCOMMODATE 11" W. x 17" H.
x 3/16" THK. SIGNAGE CARD. METAL
FRAME TO BE WELDED TO METAL
LEGS FIN. NO. (24) (ENSURE NO
SHARP EDGES) PROVIDE RUBBER
CUSHIONS TO LEGS

METAL 'U'-SHAPE LEG ON RUBBER
CUSHIONS FIN. NO. (24)



3 SECTION
F428 1 1/2" = 1'-0"

LCBO	400 OUR WINE COUNTRY ONTARIO	REVISION DATE	REV.	1 of 1	ISSUE DATE	STORE TYPE	STORE #
	OUR WINE COUNTRY ONTARIO 11" x 17" METAL SIGN HOLDER	2015 MAR23	12	F428	2021 APR		

RESERVED

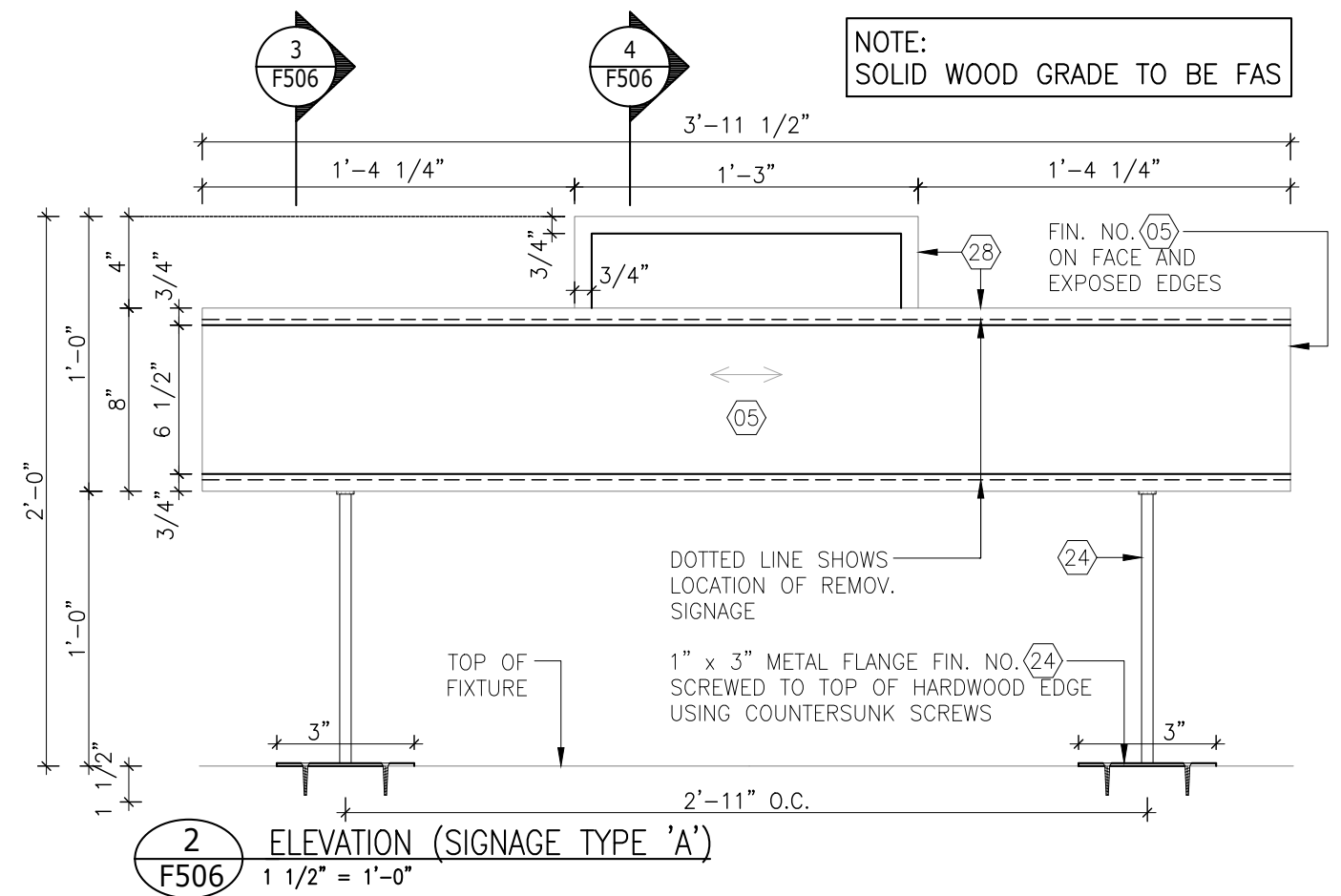
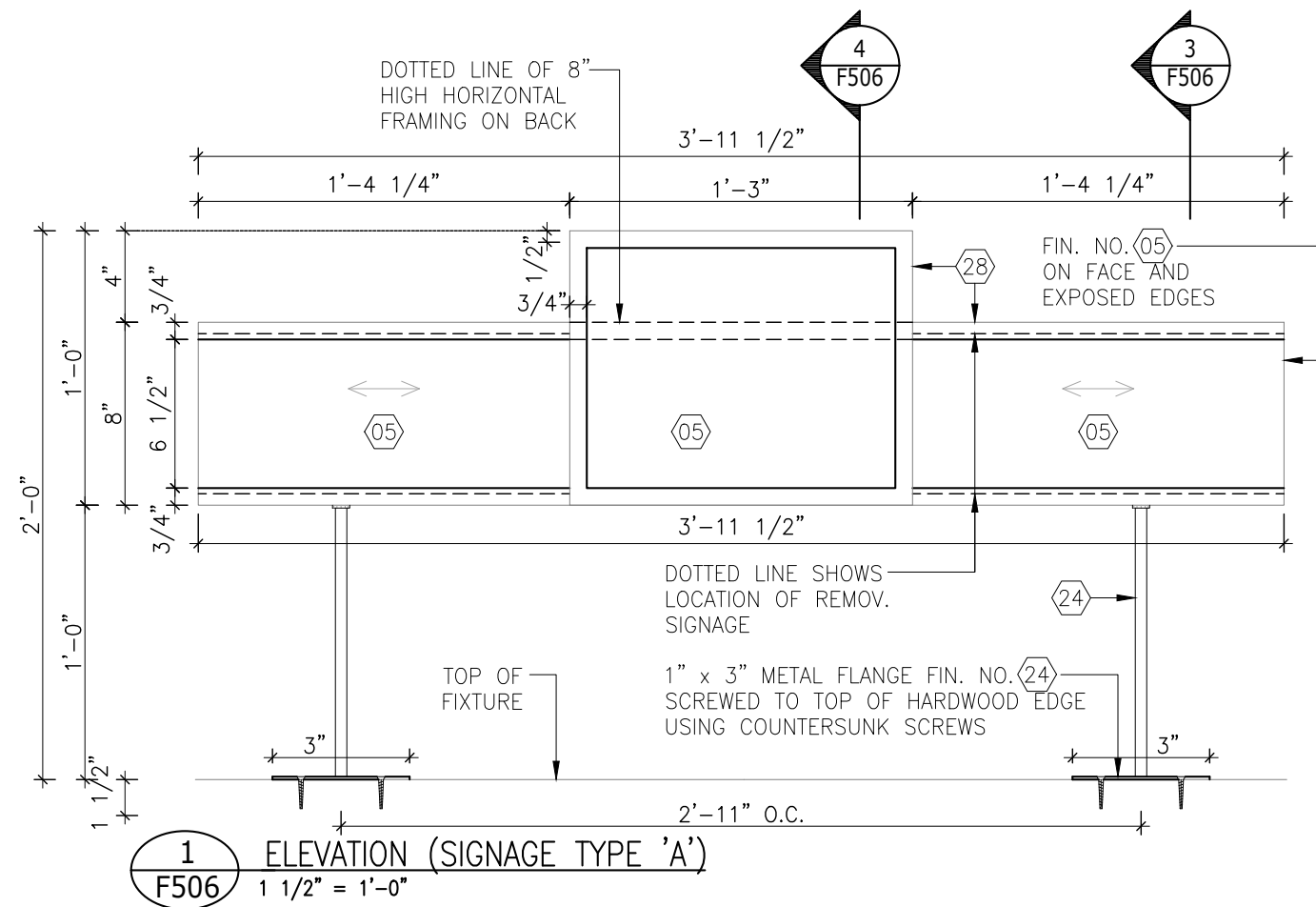
LCBO	500 VQA	REVISION DATE	REV.	1 of 1	ISSUE DATE	STORE TYPE	STORE #
		2019 APR	16	F501-F505	2021 APR		

RESERVED

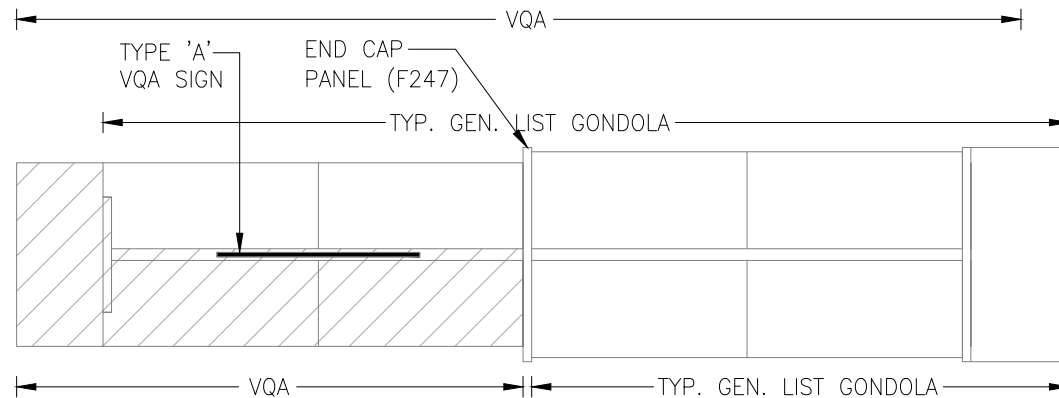
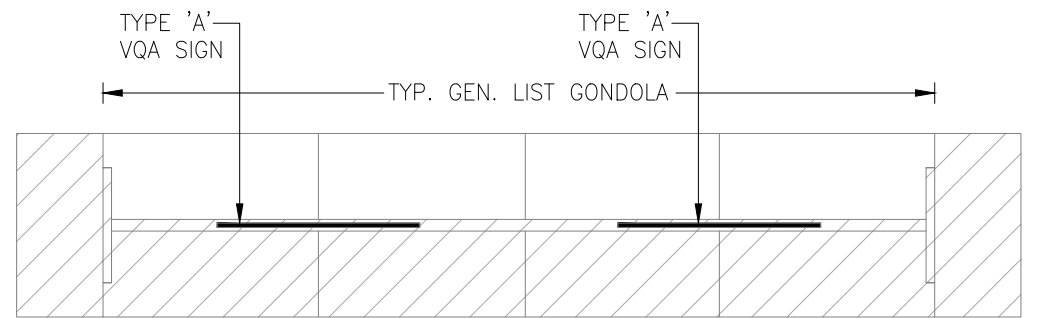
LCBO	500 VQA	REVISION DATE	REV.	1 of 1	ISSUE DATE	STORE TYPE	STORE #
		2019 APR	16	F501	2021 APR		

RESERVED

LCBO	500 VQA	REVISION DATE	REV.	1 of 1	ISSUE DATE	STORE TYPE	STORE #
		2019 APR	16	F503-F505	2021 APR		



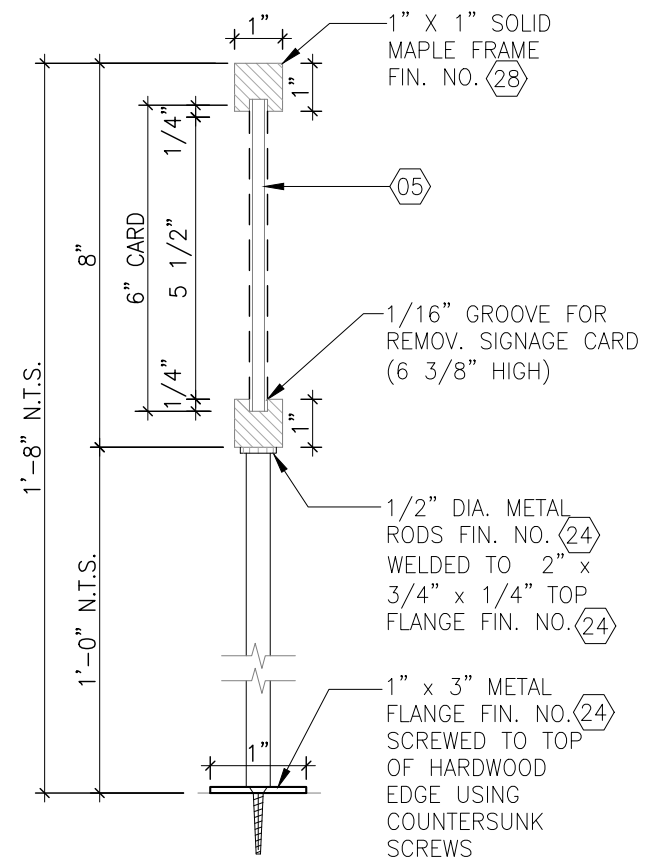
NOTE:
SOLID WOOD GRADE TO BE FAS



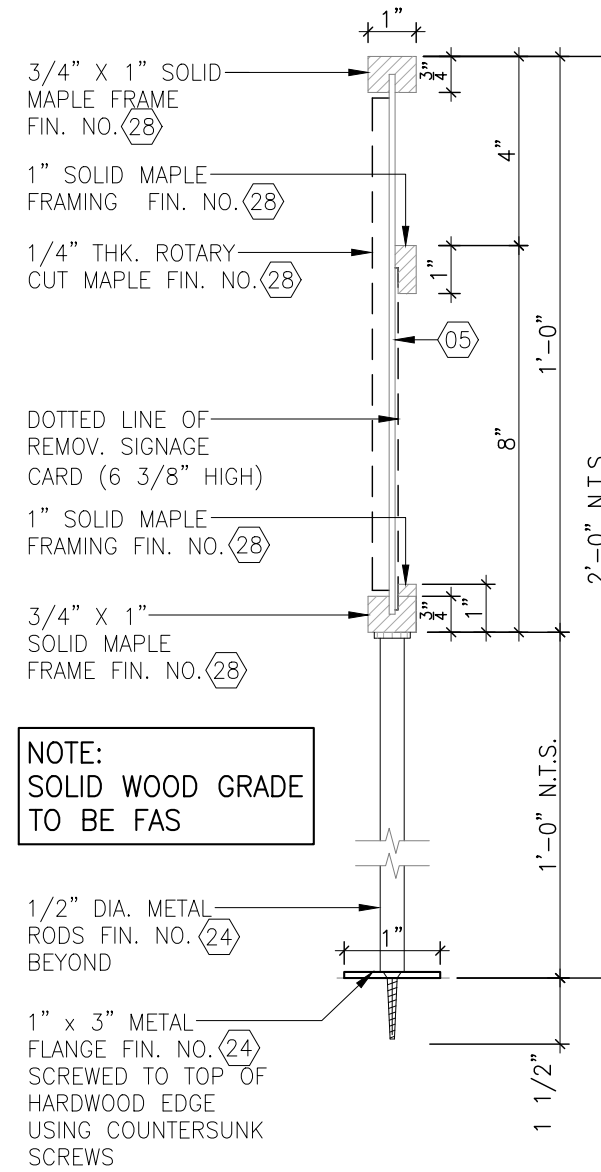
KEY PLANS
TYPICAL 'A' TYPE (F506)
SIGNAGE CONDITIONS
FOR VQA FIXTURES

DWG TO BE READ
IN CONJUNCTION W/
DWG F520 & F521

LCBO	500 VQA	REVISION DATE	REV.	1 of 2	ISSUE DATE	STORE TYPE	STORE #
	VQA GONDOLA SIGNAGE - TYPE A (4-HIGH)	2019 APR	16	F506	2021 APR		



3 SECTION
F506 3" = 1'-0"



NOTE:
SOLID WOOD GRADE TO BE FAS

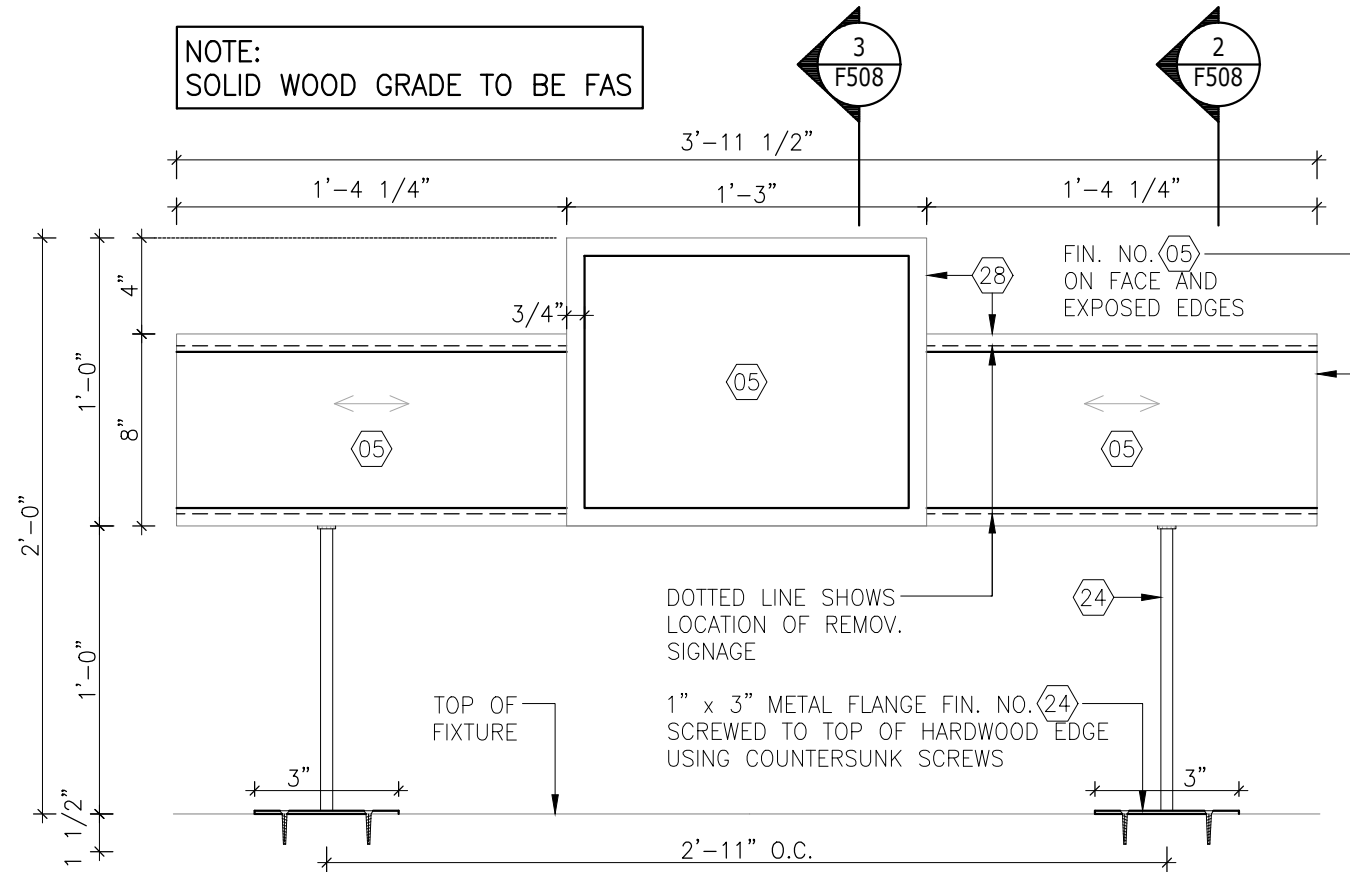
4 SECTION
F506 3" = 1'-0"

LCBO	500 VQA	REVISION DATE	REV.	2 of 2	ISSUE DATE	STORE TYPE	STORE #
	VQA GONDOLA SIGNAGE - TYPE A (4-HIGH)	2019 APR	16	F506	2021 APR		

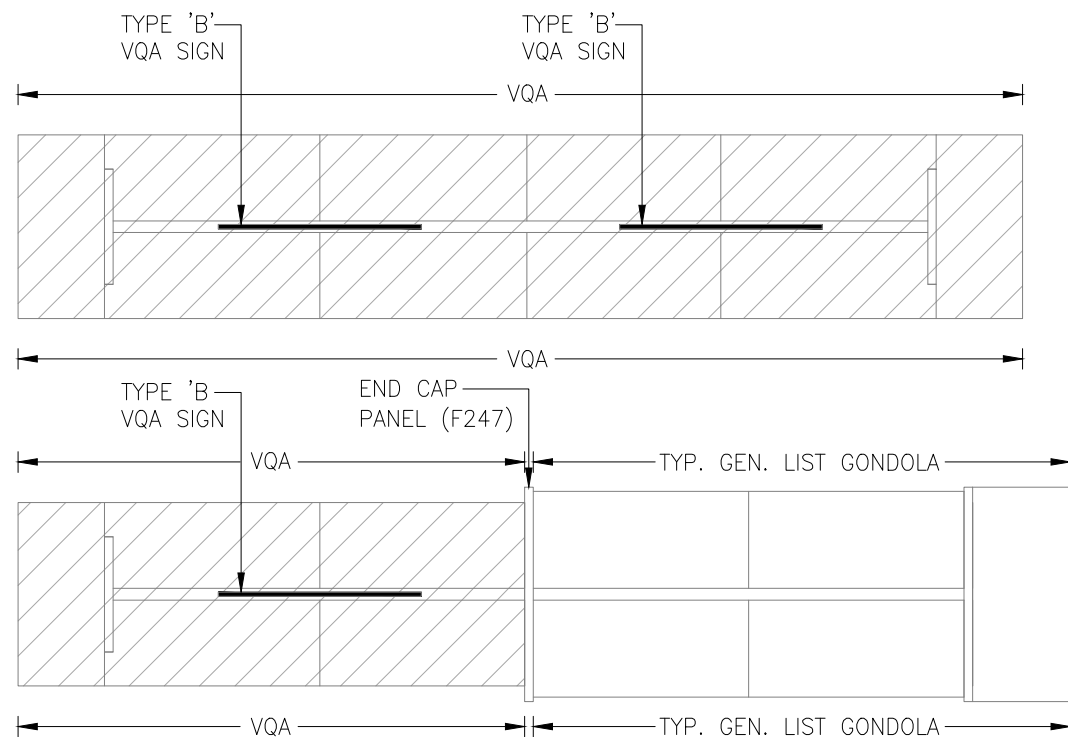
RESERVED

LCBO	500 VQA	REVISION DATE	REV.	1 of 1	ISSUE DATE	STORE TYPE	STORE #
		2011 MAR07	08	F507	2021 APR		

NOTE:
SOLID WOOD GRADE TO BE FAS

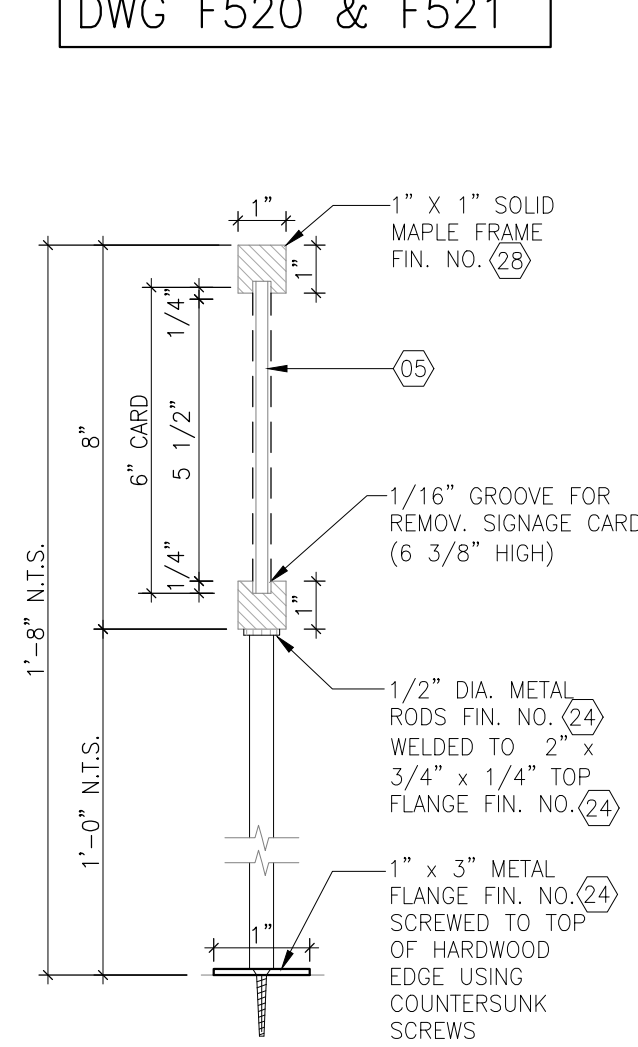


1 ELEVATION (SIGNAGE TYPE 'B' - BOTH SIDES)
F508 1 1/2" = 1'-0"

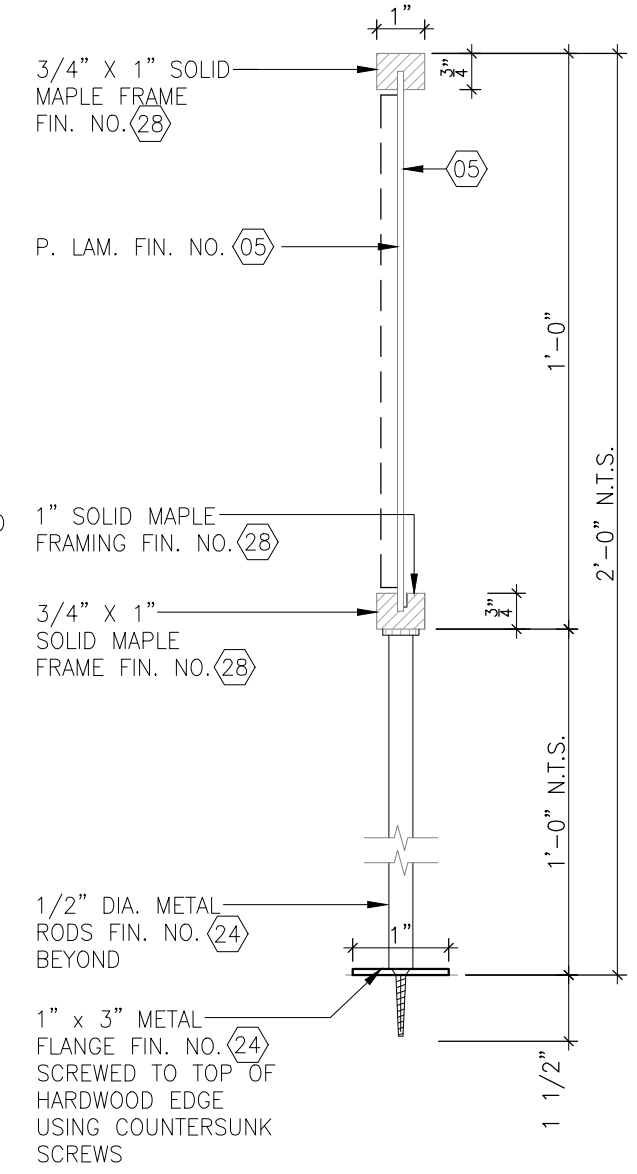


KEY PLANS
TYPICAL 'B' TYPE (F508)
SIGNAGE CONDITIONS
FOR VQA FIXTURES

DWG TO BE READ
IN CONJUNCTION W/
DWG F520 & F521



2 SECTION
F508 3" = 1'-0"

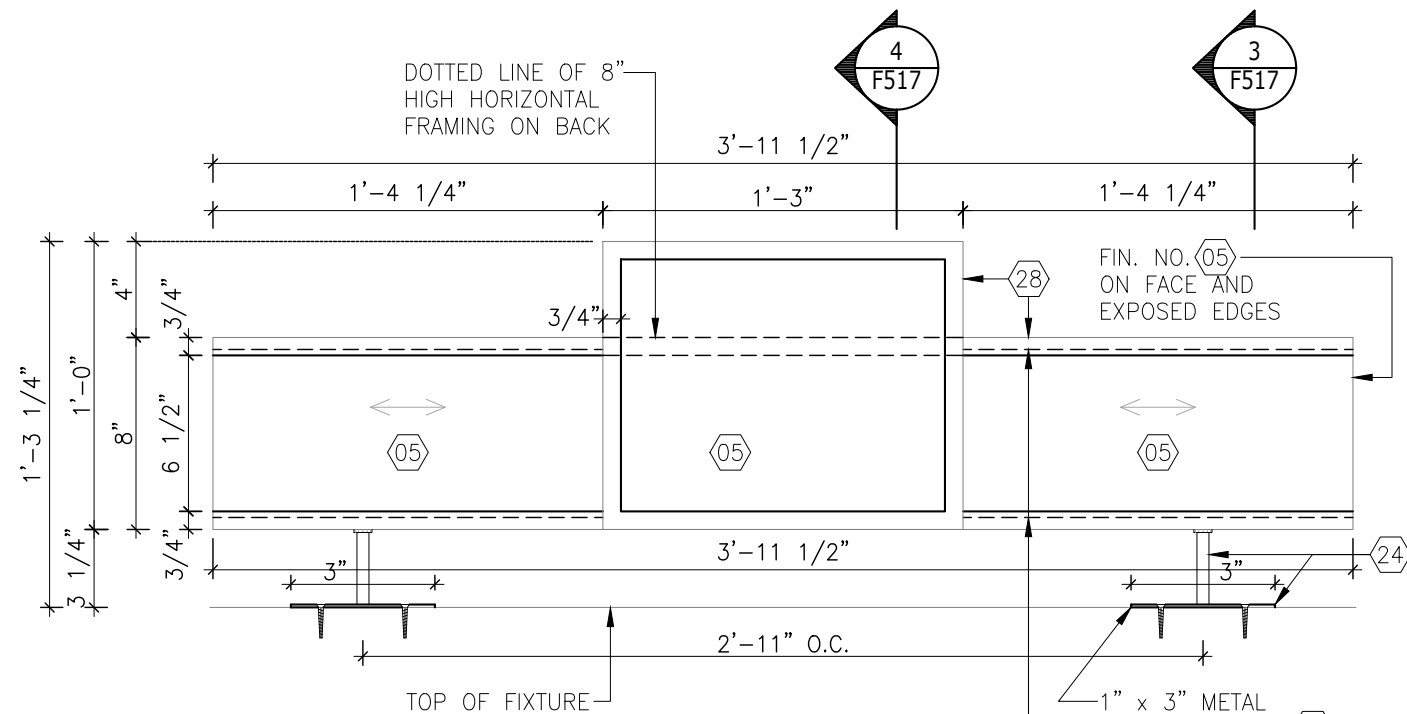


3 SECTION
F508 3" = 1'-0"

LCBO	500 VQA	REVISION DATE	REV.	1 of 1	ISSUE DATE	STORE TYPE	STORE #
	VQA GONDOLA SIGNAGE - TYPE B (4-HIGH)	2019 APR	16	F508	2021 APR		

RESERVED

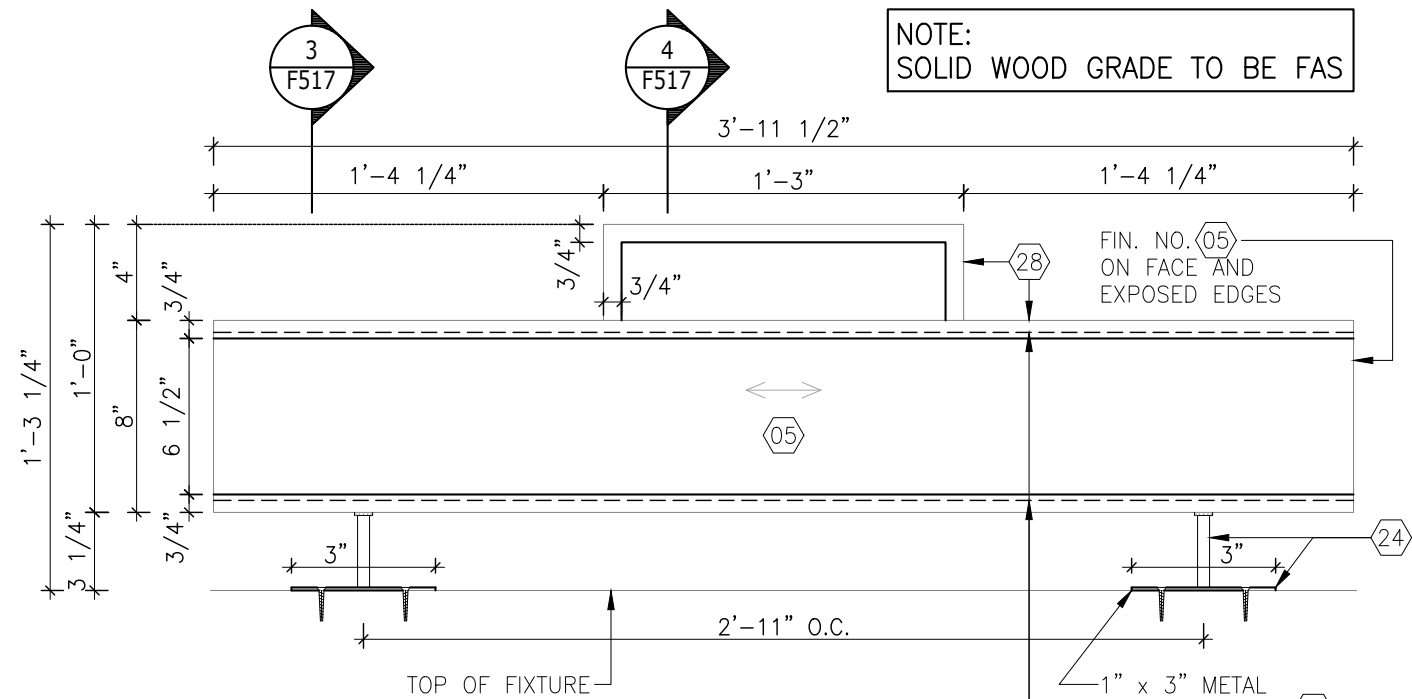
LCBO	500 VQA	REVISION DATE	REV.	1 of 1	ISSUE DATE	STORE TYPE	STORE #
		2019 APR	12	F509-F516	2021 APR		



1 ELEVATION (SIGNAGE TYPE 'A')
 F517 1 1/2" = 1'-0"

1" x 3" METAL FLANGE FIN. NO. (24) SCREWED TO TOP OF HARDWOOD EDGE USING COUNTERSUNK SCREWS

DOTTED LINE SHOWS LOCATION OF REMOV. SIGNAGE



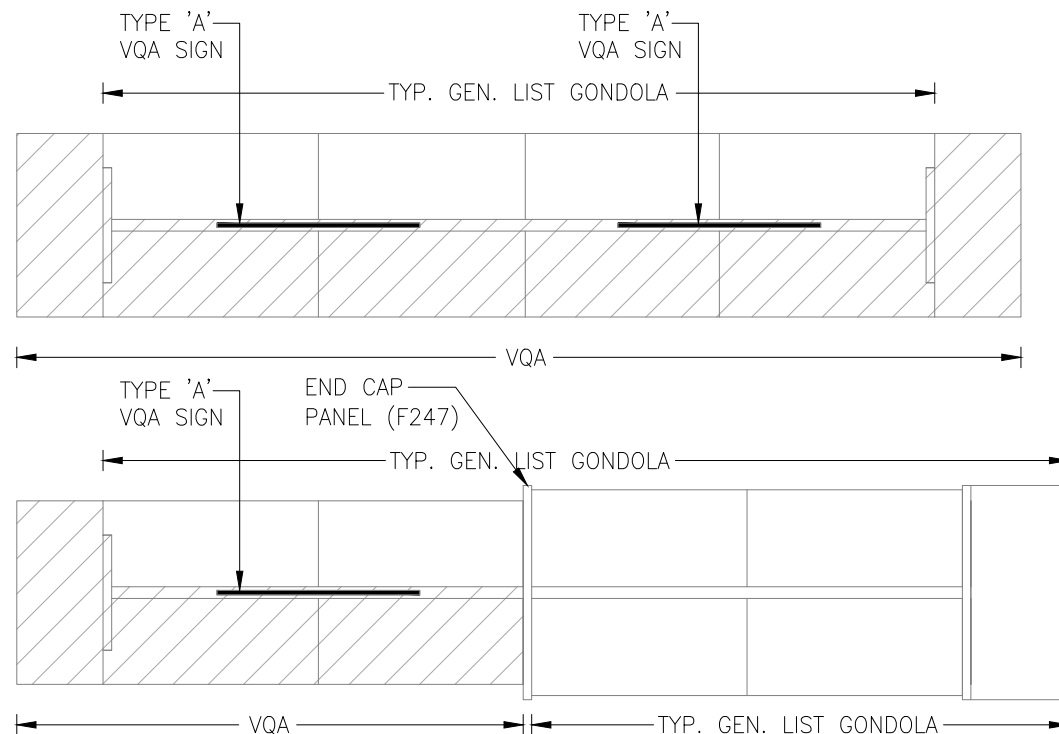
2 ELEVATION (SIGNAGE TYPE 'A')
 F517 1 1/2" = 1'-0"

1" x 3" METAL FLANGE FIN. NO. (24) SCREWED TO TOP OF HARDWOOD EDGE USING COUNTERSUNK SCREWS

DOTTED LINE SHOWS LOCATION OF REMOV. SIGNAGE

NOTE:
 SOLID WOOD GRADE TO BE FAS

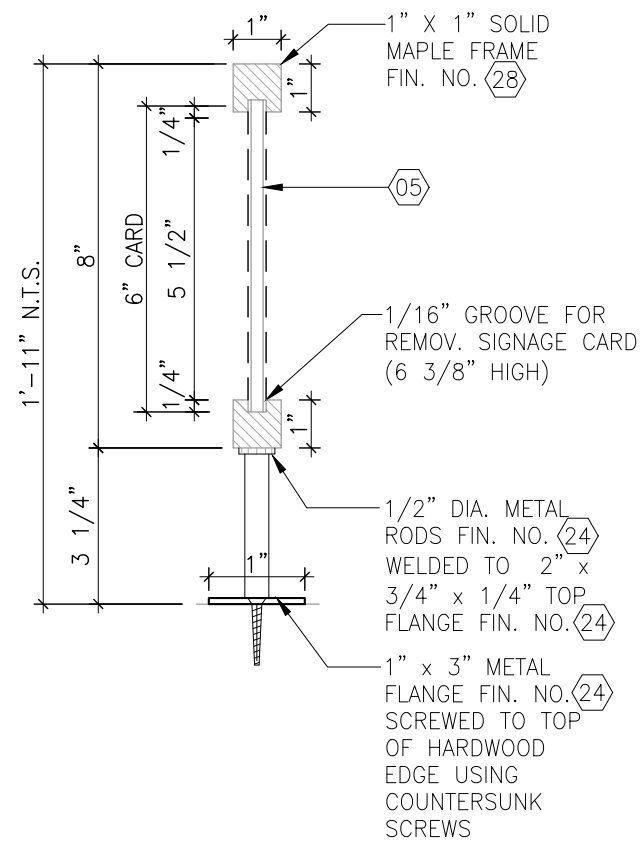
KEY PLANS
 TYPICAL 'A' TYPE (F517)
 SIGNAGE CONDITIONS
 FOR VQA FIXTURES



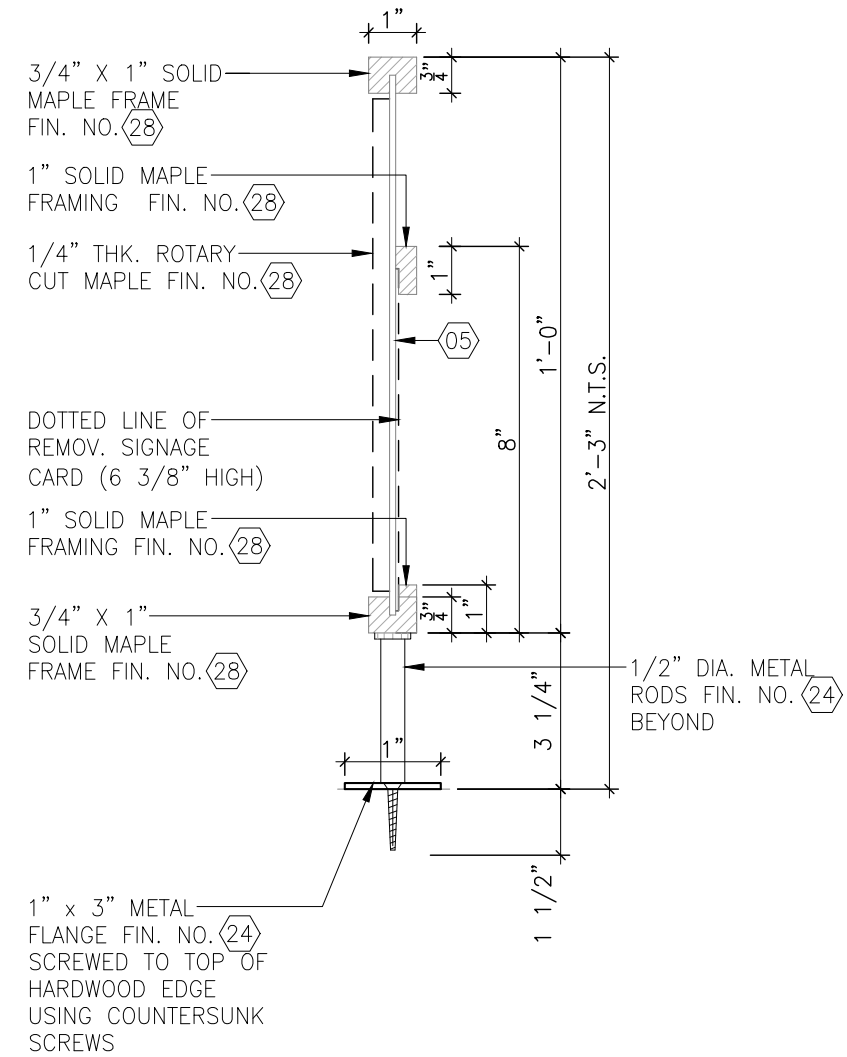
DWG TO BE READ
 IN CONJUNCTION W/
 DWG F523 & F524

LCBO	500 VQA	REVISION DATE	REV.	1 of 2	ISSUE DATE	STORE TYPE	STORE #
	VQA GONDOLA SIGNAGE - TYPE A (3-HIGH)	2019 APR	16	F517	2021 APR		

NOTE:
SOLID WOOD
GRADE TO BE FAS



3 SECTION
F517 3" = 1'-0"

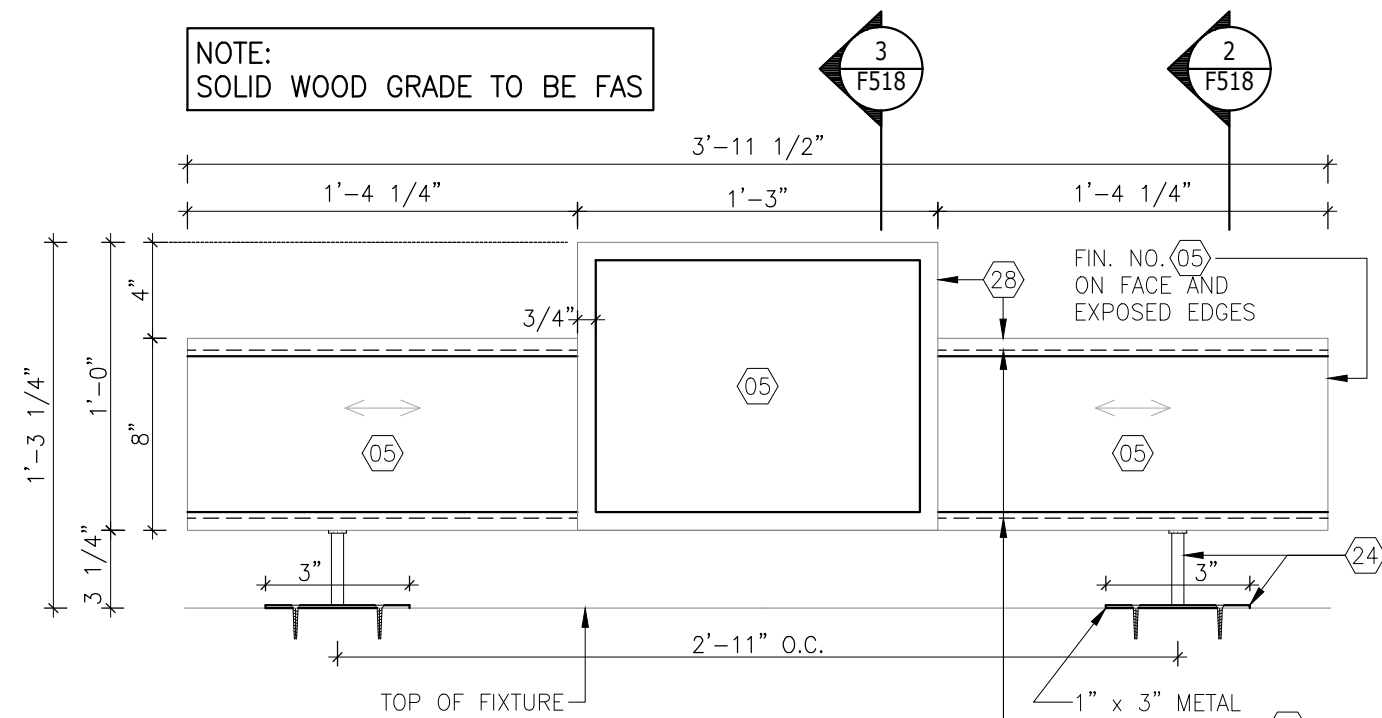


4 SECTION
F517 3" = 1'-0"

LCBO	500 VQA	REVISION DATE	REV.	2 of 2	ISSUE DATE	STORE TYPE	STORE #
	VQA GONDOLA SIGNAGE - TYPE A (3-HIGH)	2017 NOV	15	F517	2021 APR		

NOTE:
SOLID WOOD GRADE TO BE FAS

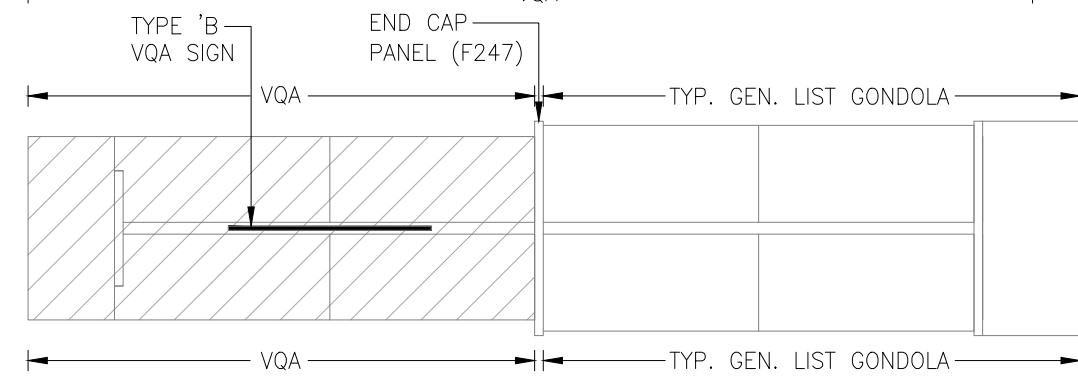
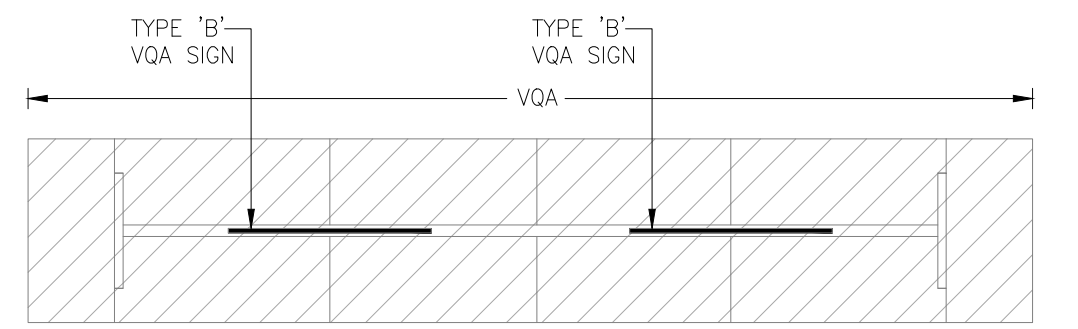
DWG TO BE READ
IN CONJUNCTION W/
DWG F523 & F524



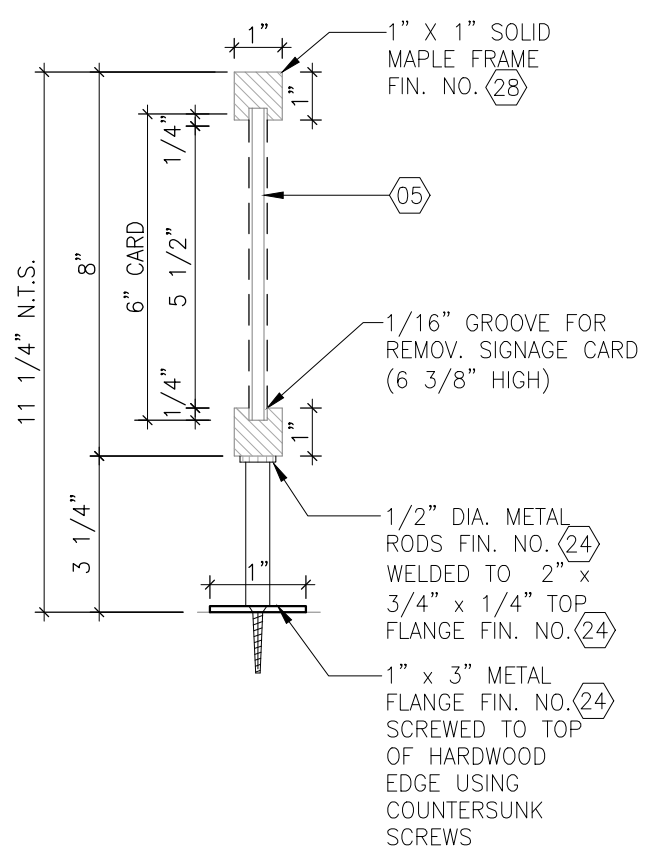
1 ELEVATION (SIGNAGE TYPE 'B' - BOTH SIDES)
F518 1 1/2" = 1'-0"

1" x 3" METAL FLANGE FIN. NO. (24) SCREWED TO TOP OF HARDWOOD EDGE USING COUNTERSUNK SCREWS

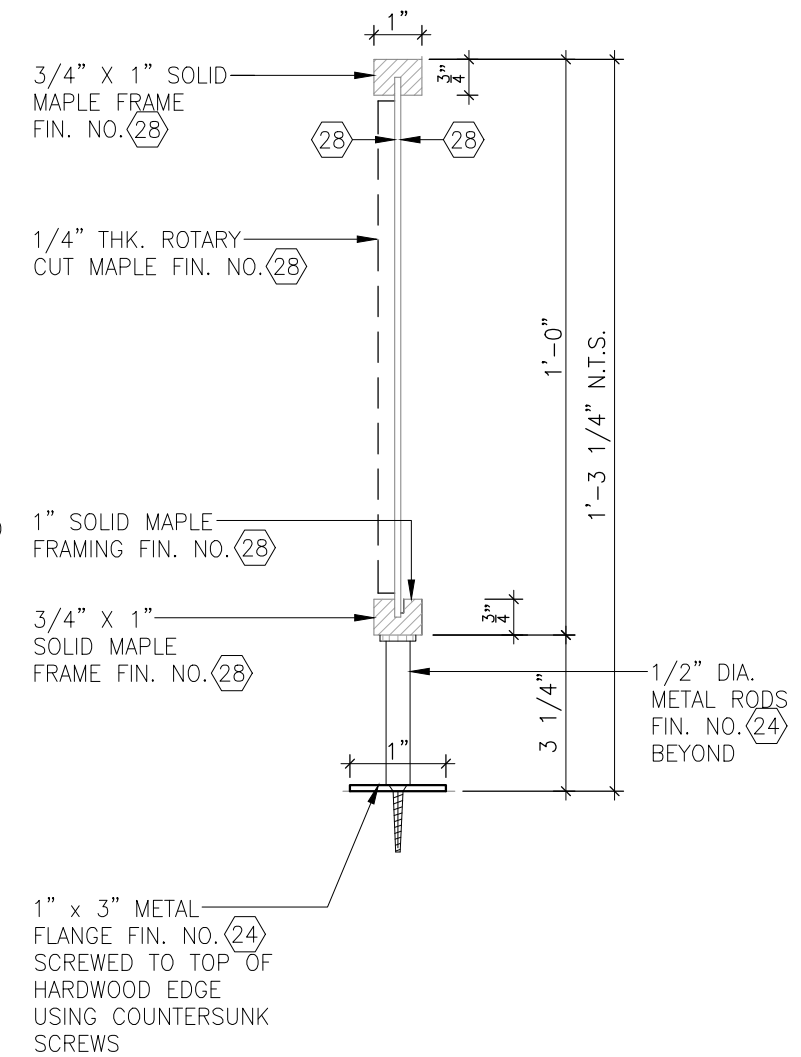
DOTTED LINE SHOWS LOCATION OF REMOV. SIGNAGE



KEY PLANS
TYPICAL 'B' TYPE (F518)
SIGNAGE CONDITIONS
FOR VQA FIXTURES

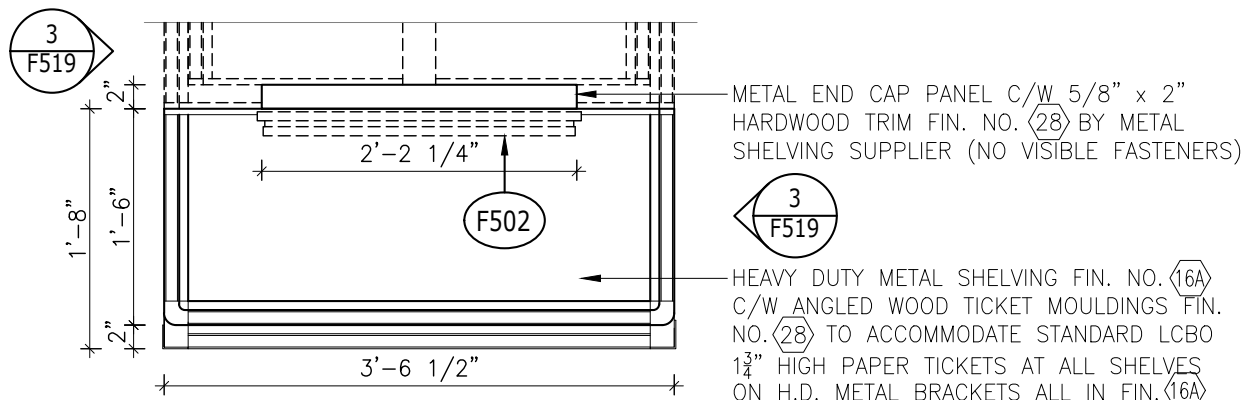


2 SECTION
F518 3" = 1'-0"



3 SECTION
F518 3" = 1'-0"

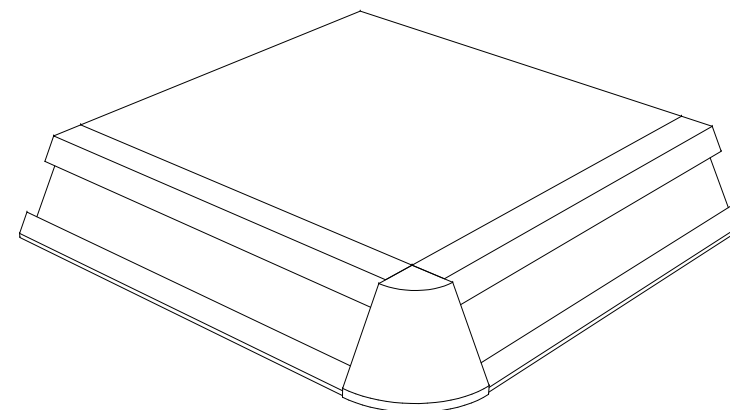
LCBO	500 VQA	REVISION DATE	REV.	1 of 1	ISSUE DATE	STORE TYPE	STORE #
	VQA GONDOLA SIGNAGE - TYPE B (3-HIGH)	2019 APR	16	F518	2021 APR		



1 PLAN
F519 3/4" = 1'-0"

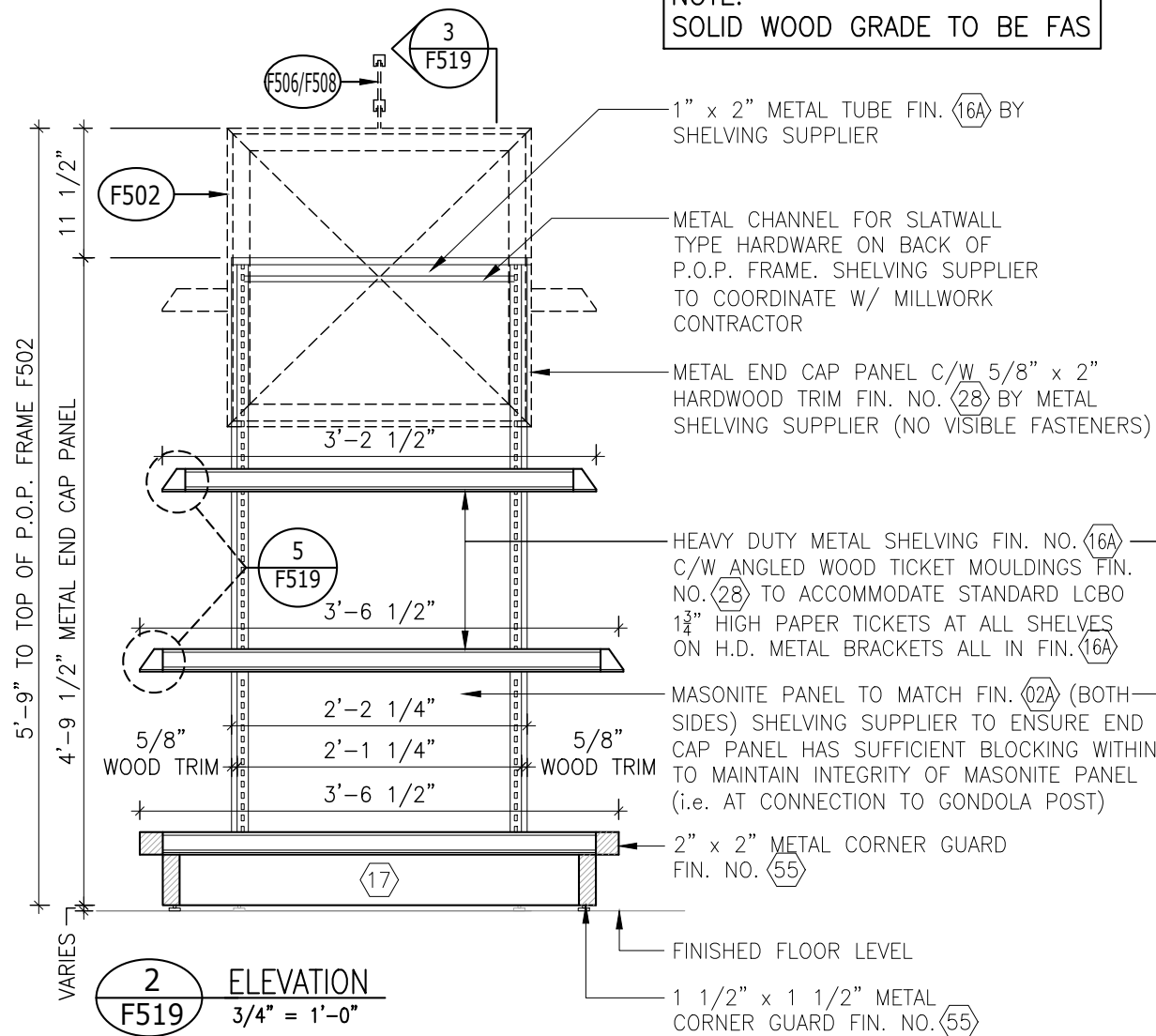
METAL END CAP PANEL C/W 5/8" x 2" HARDWOOD TRIM FIN. NO. (28) BY METAL SHELVING SUPPLIER (NO VISIBLE FASTENERS)

HEAVY DUTY METAL SHELVING FIN. NO. (16A) C/W ANGLED WOOD TICKET MOULDINGS FIN. NO. (28) TO ACCOMMODATE STANDARD LCBO 1 3/4" HIGH PAPER TICKETS AT ALL SHELVES ON H.D. METAL BRACKETS ALL IN FIN. (16A)



5 END SHELF DETAIL
F519 N.T.S.

NOTE:
SOLID WOOD GRADE TO BE FAS



2 ELEVATION
F519 3/4" = 1'-0"

1" x 2" METAL TUBE FIN. (16A) BY SHELVING SUPPLIER

METAL CHANNEL FOR SLATWALL TYPE HARDWARE ON BACK OF P.O.P. FRAME. SHELVING SUPPLIER TO COORDINATE W/ MILLWORK CONTRACTOR

METAL END CAP PANEL C/W 5/8" x 2" HARDWOOD TRIM FIN. NO. (28) BY METAL SHELVING SUPPLIER (NO VISIBLE FASTENERS)

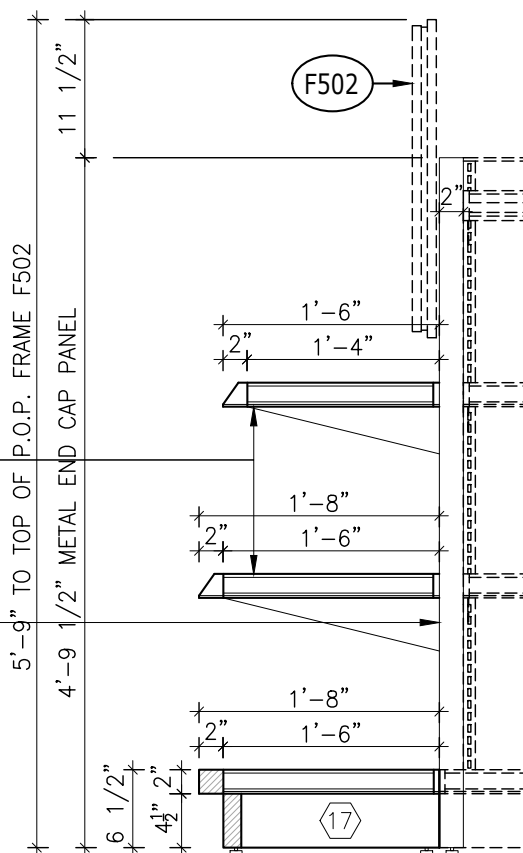
HEAVY DUTY METAL SHELVING FIN. NO. (16A) C/W ANGLED WOOD TICKET MOULDINGS FIN. NO. (28) TO ACCOMMODATE STANDARD LCBO 1 3/4" HIGH PAPER TICKETS AT ALL SHELVES ON H.D. METAL BRACKETS ALL IN FIN. (16A)

MASONITE PANEL TO MATCH FIN. (02A) (BOTH SIDES) SHELVING SUPPLIER TO ENSURE END CAP PANEL HAS SUFFICIENT BLOCKING WITHIN TO MAINTAIN INTEGRITY OF MASONITE PANEL (i.e. AT CONNECTION TO GONDOLA POST)

2" x 2" METAL CORNER GUARD FIN. NO. (55)

FINISHED FLOOR LEVEL

1 1/2" x 1 1/2" METAL CORNER GUARD FIN. NO. (55)



3 ELEVATION
F519 3/4" = 1'-0"

METAL END CAP PANEL C/W 5/8" x 2" HARDWOOD TRIM FIN. NO. (28) BY METAL SHELVING SUPPLIER (NO VISIBLE FASTENERS)

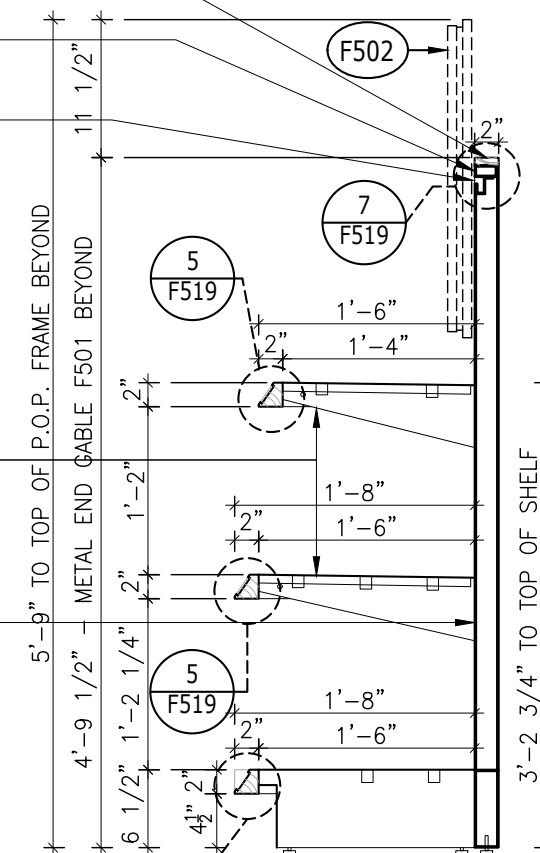
1" x 2" METAL TUBE FIN. (16A) BY SHELVING SUPPLIER

METAL CHANNEL FOR SLATWALL TYPE HARDWARE ON BACK OF P.O.P. FRAME. SHELVING SUPPLIER TO COORDINATE W/ MILLWORK CONTRACTOR

HEAVY DUTY METAL SHELVING FIN. NO. (16A) C/W ANGLED WOOD TICKET MOULDINGS FIN. NO. (28) TO ACCOMMODATE STANDARD LCBO 1 3/4" HIGH PAPER TICKETS AT ALL SHELVES ON H.D. METAL BRACKETS ALL IN FIN. (16A)

MASONITE PANEL TO MATCH FIN. (02A) (BOTH SIDES) SHELVING SUPPLIER TO ENSURE END CAP PANEL HAS SUFFICIENT BLOCKING WITHIN TO MAINTAIN INTEGRITY OF MASONITE PANEL (i.e. AT CONNECTION TO GONDOLA POST)

NOTE:
ALL COMPONENTS SUPPLIED BY METAL SHELVING SUPPLIER EXCLUDING P.O.P. & SIGNAGE (F502, F517 & F518)



4 SECTION
F519 3/4" = 1'-0"

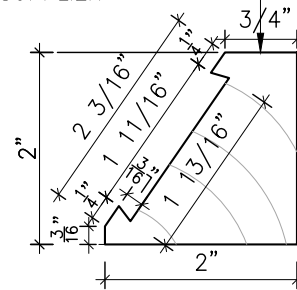
LCBO	500 VQA	REVISION DATE	REV.	1 of 2	ISSUE DATE	STORE TYPE	STORE #
	4-HIGH VQA METAL GONDOLA END	2019 APR	16	F519	2021 APR		

NOTE:
SOLID WOOD GRADE TO BE FAS

NOTE:
METAL SHELVING SUPPLIER TO SUPPLY
HARDWOOD TICKET MOULDINGS

HEAVY DUTY METAL SHELVING FIN. NO. (16A)
C/W ANGLED WOOD TICKET MOULDINGS
FIN. NO. (28) TO ACCOMMODATE
STANDARD LCBO 1 3/4" HIGH PAPER
TICKETS AT ALL SHELVES ON H.D.
METAL BRACKETS ALL IN FIN. (16A)

HARDWOOD TICKET MOULDING
(ANGLED) FIN. NO. (28)
BY METAL SHELVING SUPPLIER



METAL SHELF & BRACKET
FIN. NO. (16A) BY METAL
SHELVING SUPPLIER

5
F519
6" = 1'-0"

HEAVY DUTY METAL BASE FIN. NO. (16A)
C/W ANGLED WOOD TICKET MOULDINGS
TO ACCOMMODATE STANDARD LCBO 1 3/4"
HIGH PAPER TICKETS

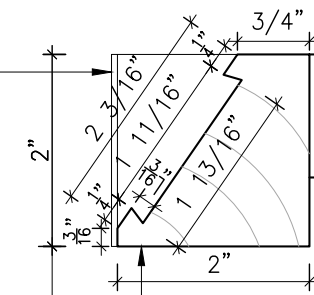
2 1/4" x 2 1/4" METAL
CORNER GUARD
FIN. NO. (55) BEYOND

HARDWOOD TICKET MOULDING
(ANGLED) FIN. NO. (28)

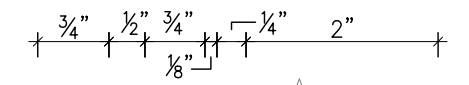
4" HIGH METAL BASE PT.
FIN. TO MATCH FIN. NO. (17)

HEAVY DUTY ADJ. GLIDES

6
F519
6" = 1'-0"



1" METAL TUBE C/W METAL
CHANNEL DETAIL FIN. NO. (16A)
SHELVING SUPPLIER TO SUPPLY
SHOP DWGS. FOR APPROVAL
PRIOR TO FABRICATION



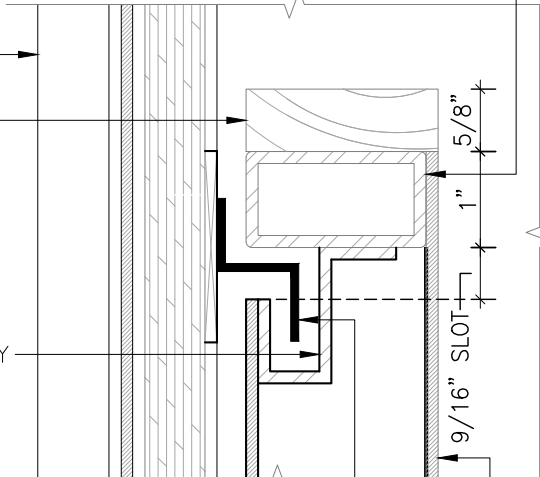
F502

SOLID WOOD TRIM OF END
CAP PANEL FIN. (28) BY
SHELVING SUPPLIER. METAL
SHELVING SUPPLIER TO
COORDINATE WOOD TRIM FINISH
AND COLOUR TO MATCH
MILLWORKER'S WOOD TRIM

RE-INFORCED METAL CHANNEL BY
SHELVING SUPPLIER TO
ACCOMMODATE SLATWALL-TYPE
HARDWARE AS SHOWN ABOVE

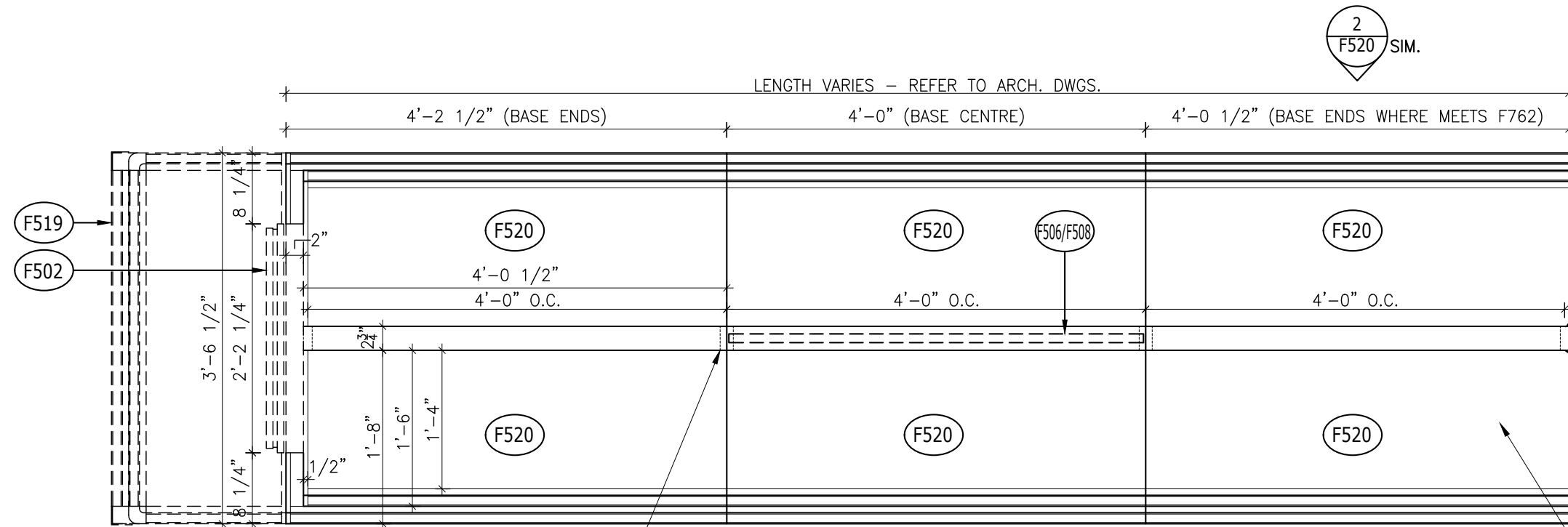
SLATWALL TYPE HARDWARE SCREW
FIXED TO BACK OF F502

MASONITE BACK PANEL OF END CAP
PANEL BY SHELVING SUPPLIER W/
TO MATCH FIN. NO. (16A)

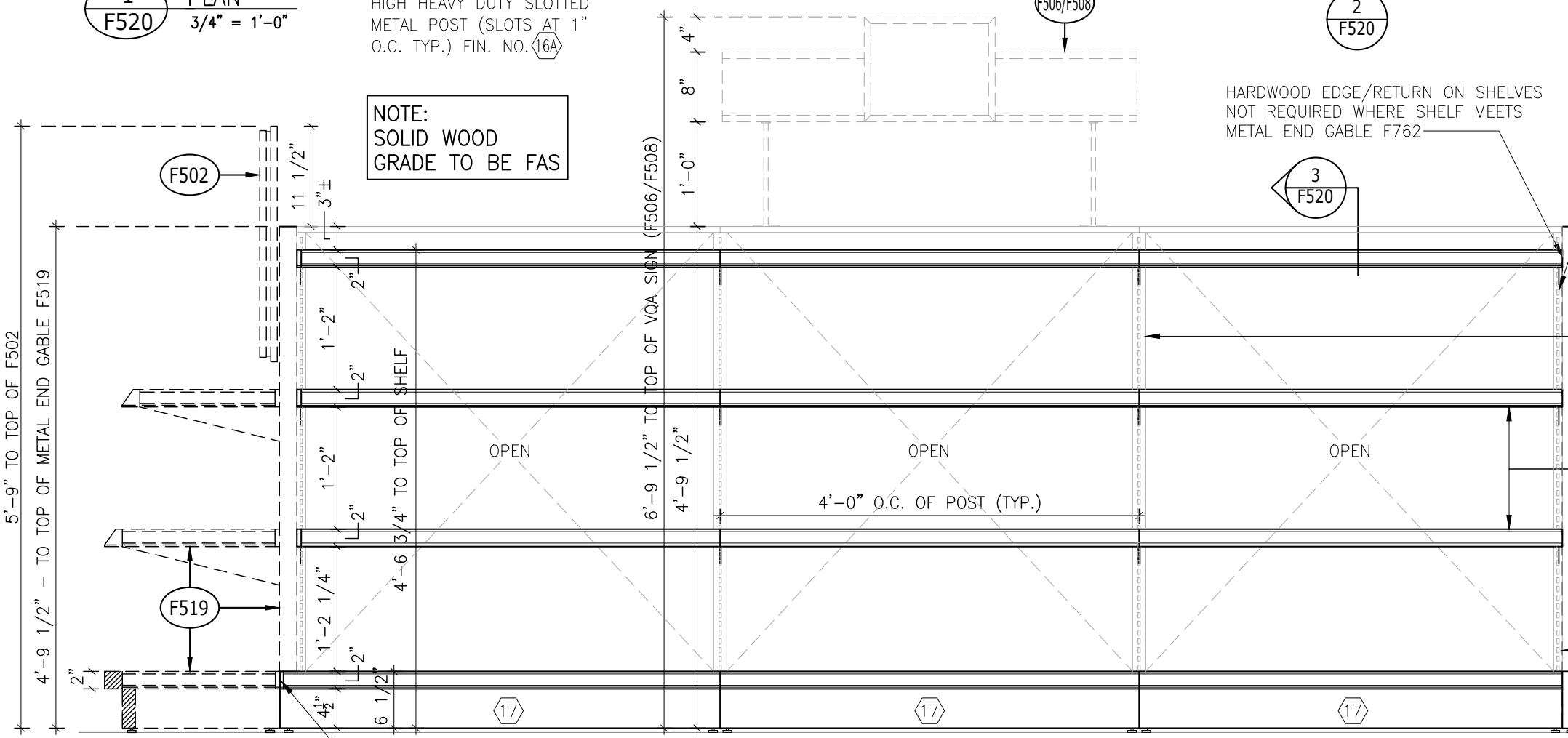


7
F519
6" = 1'-0"

LCBO	500 VQA	REVISION DATE	REV.	2 of 2	ISSUE DATE	STORE TYPE	STORE #
	4-HIGH VQA METAL GONDOLA END	2019 APR	16	F519	2021 APR		

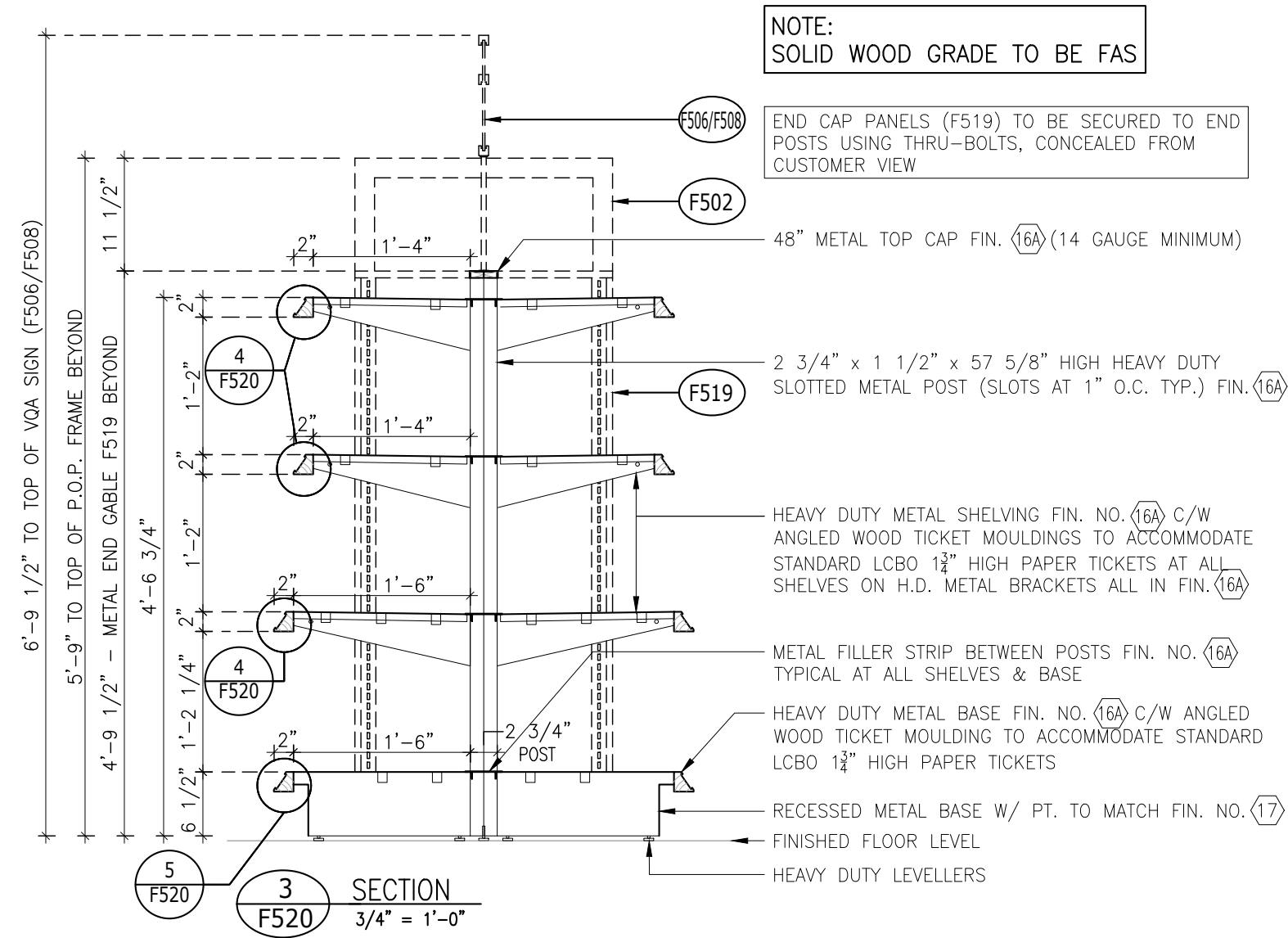


1
F520 PLAN
3/4" = 1'-0"



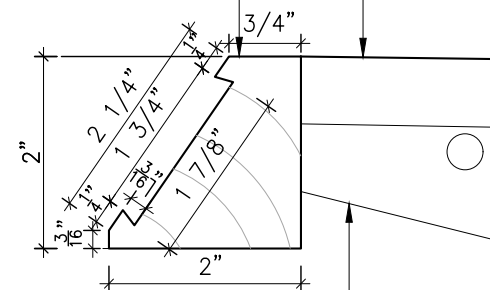
2
F520 ELEVATION
3/4" = 1'-0"

LCBO	500 VQA	REVISION DATE	REV.	1 of 2	ISSUE DATE	STORE TYPE	STORE #
	VQA 4-HIGH 4'-0" METAL FLOOR GONDOLA	2019 APR	16	F520	2021 APR		



HEAVY DUTY METAL SHELVING FIN. NO. (16A)
C/W ANGLED WOOD TICKET MOULDINGS
TO ACCOMMODATE STANDARD LCBO 1 3/4"
HIGH PAPER TICKETS AT ALL SHELVES
ON H.D. METAL BRACKETS ALL IN FIN. (16A)

HARDWOOD TICKET MOULDING
(ANGLED) FIN. NO. (28)
BY METAL SHELVING SUPPLIER



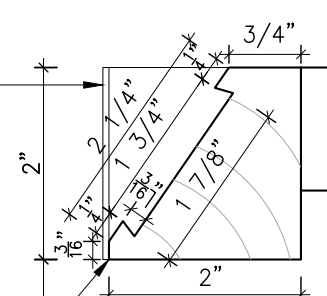
METAL SHELF & BRACKET FIN. NO. (16A)
BY METAL SHELVING SUPPLIER

4
F520
DETAIL
6" = 1'-0"

NOTE:
METAL SHELVING SUPPLIER TO SUPPLY
HARDWOOD TICKET MOULDINGS

HEAVY DUTY METAL BASE FIN. NO. (16A)
C/W ANGLED WOOD TICKET MOULDINGS
TO ACCOMMODATE STANDARD LCBO 1 3/4"
HIGH PAPER TICKETS

2 1/4" x 2 1/4" METAL
CORNER GUARD
FIN. NO. (55) BEYOND



HARDWOOD TICKET MOULDING
(ANGLED) FIN. NO. (28)

4" HIGH METAL BASE PT.
FIN. TO MATCH FIN. NO. (17)

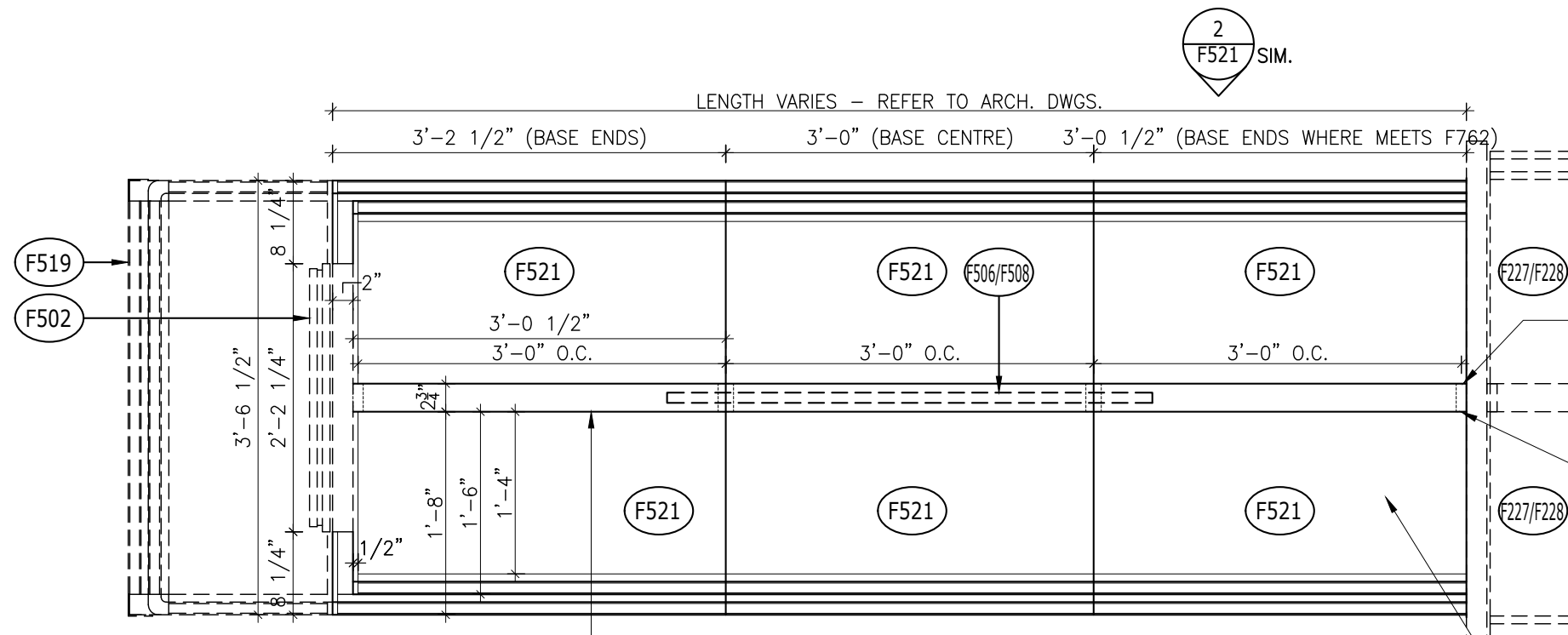
HEAVY DUTY ADJ. GLIDES

5
F520
DETAIL
6" = 1'-0"

LCBO

500 VQA
VQA 4-HIGH 4'-0" METAL FLOOR GONDOLA

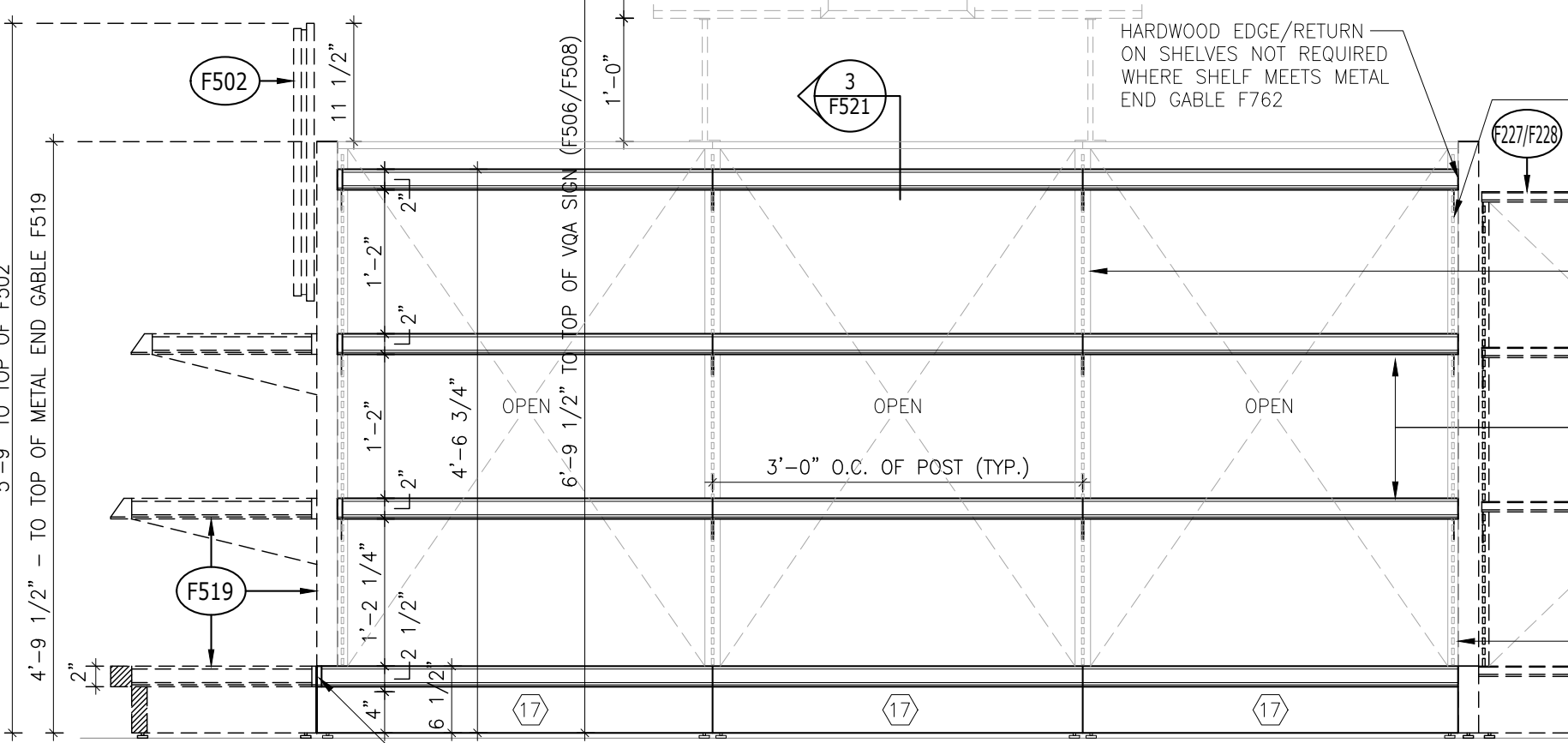
REVISION DATE	REV.	2 of 2	ISSUE DATE	STORE TYPE	STORE #
2019 APR	16	F520	2021 APR		



1 PLAN
F521
3/4" = 1'-0"

2 3/4" x 1 1/2" x 57 5/8" HIGH HEAVY DUTY SLOTTED METAL POST (SLOTS AT 1" O.C. TYP.) FIN. NO. 16A

2 3/4" x 1 1/2" x 57 5/8" HIGH HEAVY DUTY SLOTTED METAL POST (SLOTS AT 1" O.C. TYP.) FIN. NO. 16A



2 ELEVATION
F521
3/4" = 1'-0"

PROVIDE ROUNDED EDGES FIN. NO. 28 AT END OF BASE TICKET MOULDINGS WHERE BASE MEETS GONDOLA END CAP PANEL

NOTE:
SOLID WOOD GRADE TO BE FAS

NOTE:
ALL COMPONENTS SUPPLIED BY METAL SHELVING SUPPLIER EXCLUDING P.O.P. & SIGNAGE (F502, F517 & F518)

2 3/4" x 1" x 57 5/8" HIGH HEAVY DUTY SLOTTED METAL END POST (SLOTS AT 1" O.C. TYP.) FIN. NO. 16A

ALL END POSTS TO BE MODIFIED AS REQUIRED TO ENSURE THAT THERE ARE NO GAPS BETWEEN METAL SHELVES AND END GABLES (FILLER STRIPS ARE NOT ACCEPTABLE)

HEAVY DUTY METAL SHELVING FIN. NO. 16A C/W ANGLED WOOD TICKET MOULDINGS FIN. NO. 28 TO ACCOMMODATE STANDARD LCBO 1 3/4" HIGH PAPER TICKETS AT ALL SHELVES ON H.D. METAL BRACKETS ALL IN FIN. 16A

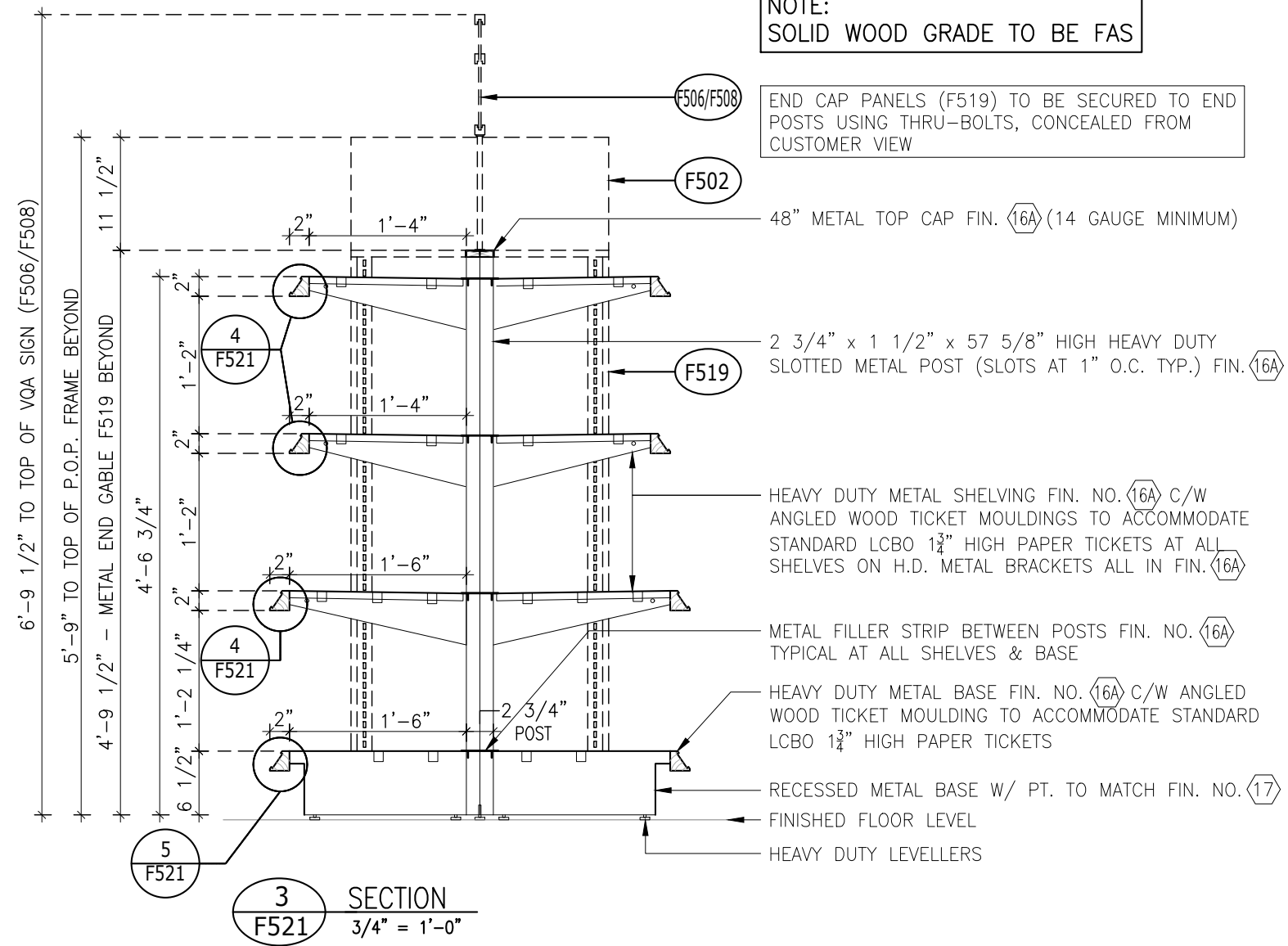
2 3/4" x 1" x 57 5/8" HIGH HEAVY DUTY SLOTTED METAL END POST (SLOTS AT 1" O.C. TYP.) FIN. NO. 16A

2 3/4" x 1 1/2" x 57 5/8" HIGH HEAVY DUTY SLOTTED METAL POST (SLOTS AT 1" O.C. TYP.) FIN. NO. 16A

HEAVY DUTY METAL SHELVING FIN. NO. 16A C/W ANGLED WOOD TICKET MOULDINGS FIN. NO. 28 TO ACCOMMODATE STANDARD LCBO 1 3/4" HIGH PAPER TICKETS AT ALL SHELVES ON H.D. METAL BRACKETS ALL IN FIN. 16A

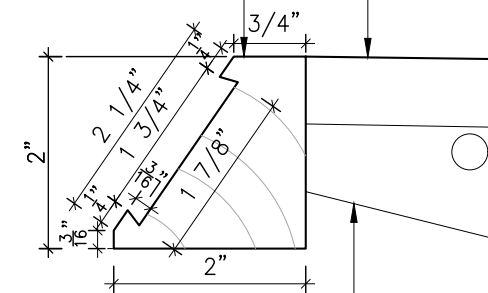
ALL END POSTS TO BE MODIFIED AS REQUIRED TO ENSURE THAT THERE ARE NO GAPS BETWEEN METAL SHELVES AND END GABLES (FILLER STRIPS ARE NOT ACCEPTABLE)

LCBO	500 VQA	REVISION DATE	REV.	1 of 2	ISSUE DATE	STORE TYPE	STORE #
	VQA 4-HIGH 3'-0" METAL FLOOR GONDOLA	2019 APR	16	F521	2021 APR		



HEAVY DUTY METAL SHELVING FIN. NO. 16A
C/W ANGLED WOOD TICKET MOULDINGS
TO ACCOMMODATE STANDARD LCBO 1 3/4"
HIGH PAPER TICKETS AT ALL SHELVES
ON H.D. METAL BRACKETS ALL IN FIN. 16A

HARDWOOD TICKET MOULDING
(ANGLED) FIN. NO. 28
BY METAL SHELVING SUPPLIER



METAL SHELF & BRACKET FIN. NO. 16A
BY METAL SHELVING SUPPLIER

4
F521
DETAIL
6" = 1'-0"

NOTE:
METAL SHELVING SUPPLIER TO SUPPLY
HARDWOOD TICKET MOULDINGS

HEAVY DUTY METAL BASE FIN. NO. 16A
C/W ANGLED WOOD TICKET MOULDINGS
TO ACCOMMODATE STANDARD LCBO 1 3/4"
HIGH PAPER TICKETS

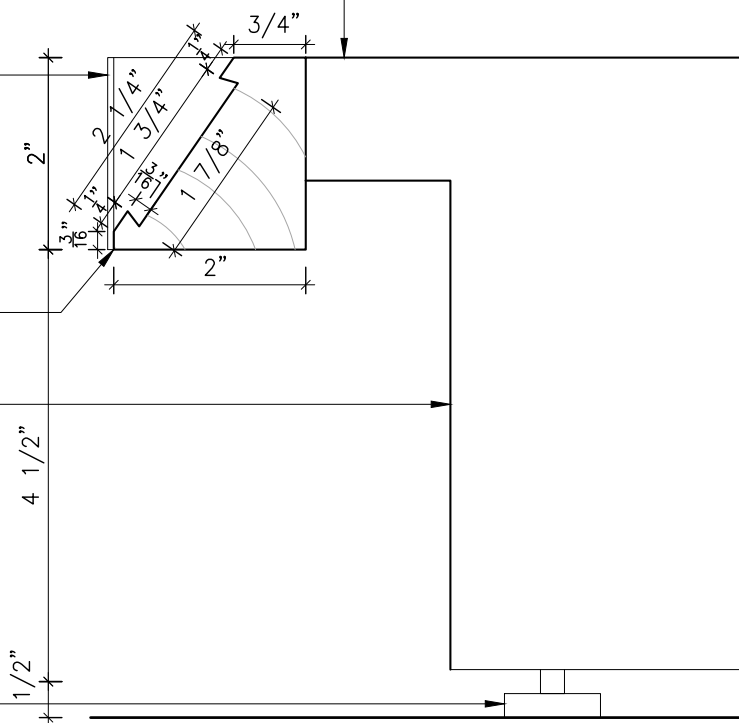
2 1/4" x 2 1/4" METAL
CORNER GUARD
FIN. NO. 55 BEYOND

HARDWOOD TICKET MOULDING
(ANGLED) FIN. NO. 28

4" HIGH METAL BASE PT.
FIN. TO MATCH FIN. NO. 17

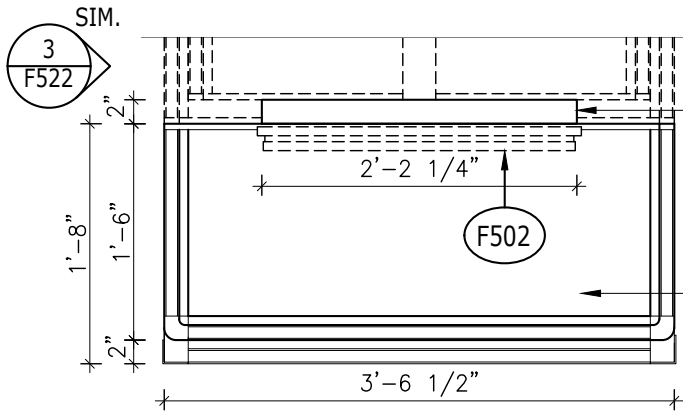
HEAVY DUTY ADJ. GLIDES

5
F521
DETAIL
6" = 1'-0"



LCBO

500 VQA	REVISION DATE	REV.	2 of 2	ISSUE DATE	STORE TYPE	STORE #
VQA 4-HIGH 3'-0" METAL FLOOR GONDOLA	2019 APR	16	F521	2021 APR		

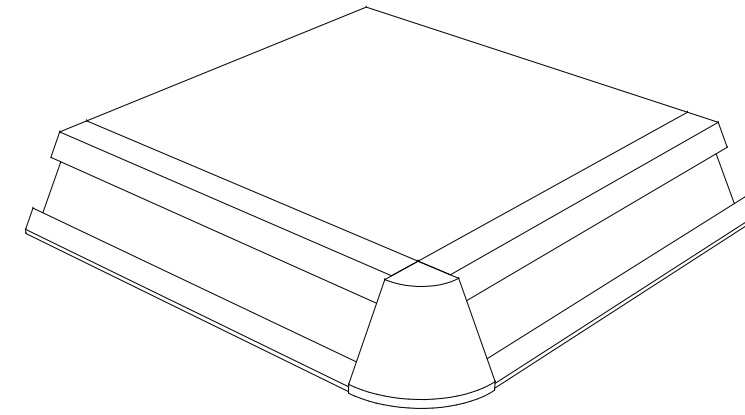


1 PLAN
F522 3/4" = 1'-0"

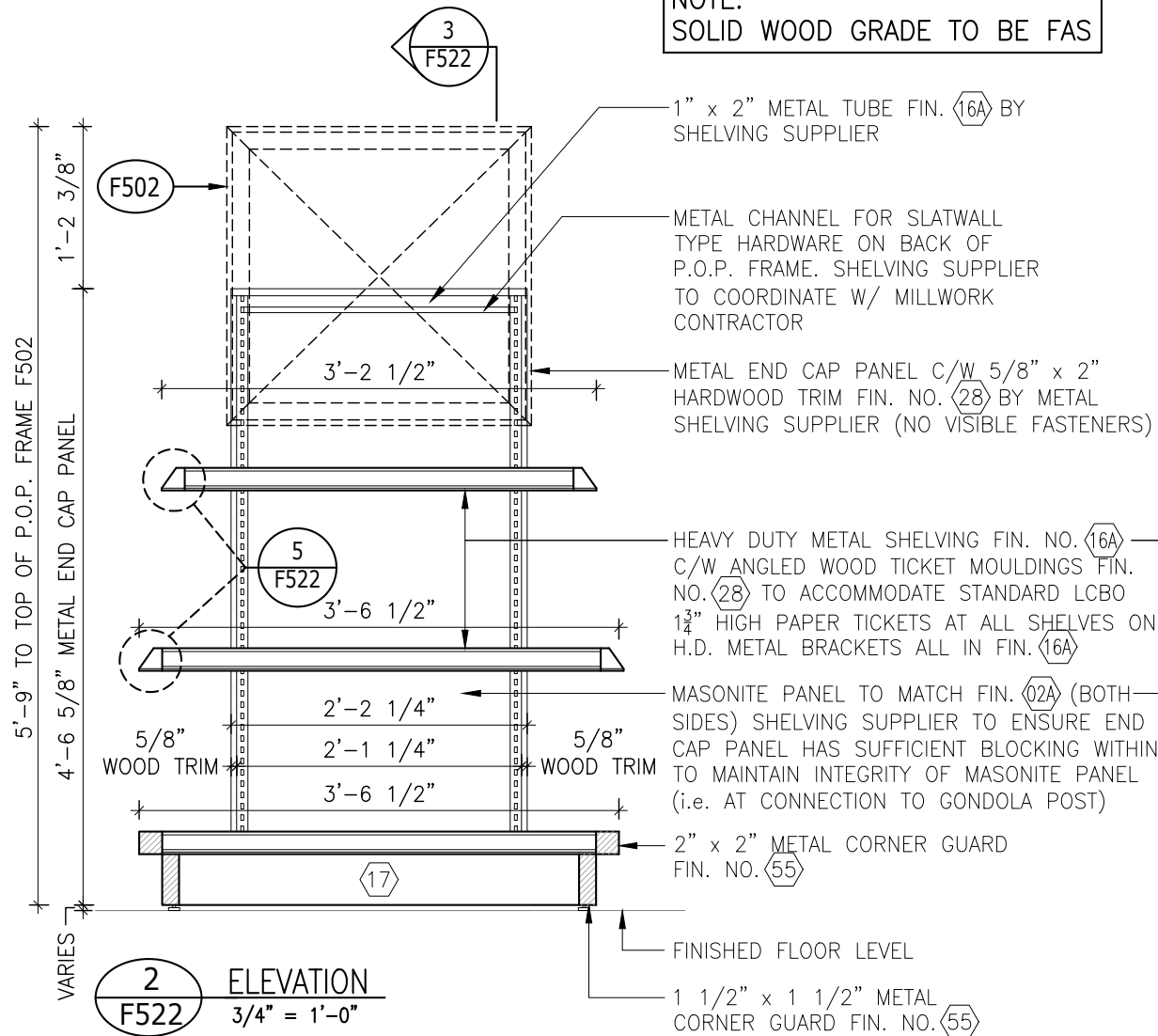
METAL END CAP PANEL C/W 5/8" x 2" HARDWOOD TRIM FIN. NO. (28) BY METAL SHELVING SUPPLIER (NO VISIBLE FASTENERS)

HEAVY DUTY METAL SHELVING FIN. NO. (16A) C/W ANGLED WOOD TICKET MOULDINGS FIN. NO. (28) TO ACCOMMODATE STANDARD LCBO 1 3/4" HIGH PAPER TICKETS AT ALL SHELVES ON H.D. METAL BRACKETS ALL IN FIN. (16A)

NOTE:
SOLID WOOD GRADE TO BE FAS



5 END SHELF DETAIL
F522 N.T.S.



2 ELEVATION
F522 3/4" = 1'-0"

1" x 2" METAL TUBE FIN. (16A) BY SHELVING SUPPLIER

METAL CHANNEL FOR SLATWALL TYPE HARDWARE ON BACK OF P.O.P. FRAME. SHELVING SUPPLIER TO COORDINATE W/ MILLWORK CONTRACTOR

METAL END CAP PANEL C/W 5/8" x 2" HARDWOOD TRIM FIN. NO. (28) BY METAL SHELVING SUPPLIER (NO VISIBLE FASTENERS)

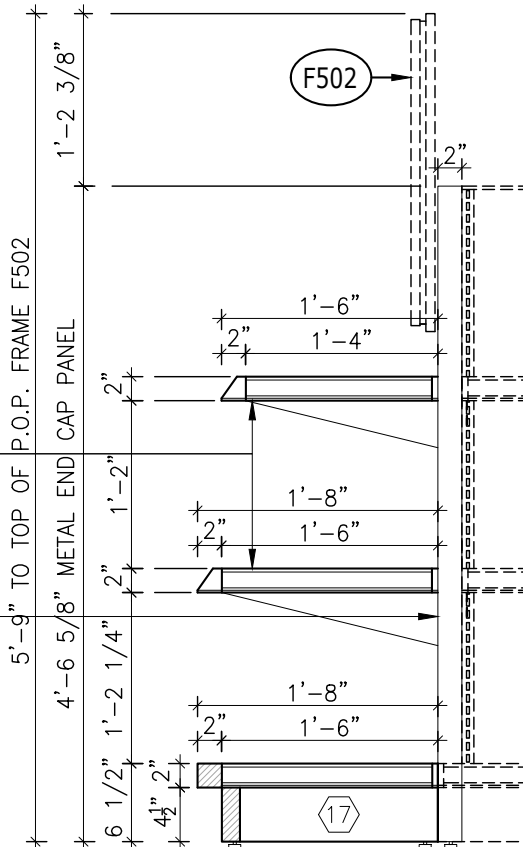
HEAVY DUTY METAL SHELVING FIN. NO. (16A) C/W ANGLED WOOD TICKET MOULDINGS FIN. NO. (28) TO ACCOMMODATE STANDARD LCBO 1 3/4" HIGH PAPER TICKETS AT ALL SHELVES ON H.D. METAL BRACKETS ALL IN FIN. (16A)

MASONITE PANEL TO MATCH FIN. (02A) (BOTH SIDES) SHELVING SUPPLIER TO ENSURE END CAP PANEL HAS SUFFICIENT BLOCKING WITHIN TO MAINTAIN INTEGRITY OF MASONITE PANEL (i.e. AT CONNECTION TO GONDOLA POST)

2" x 2" METAL CORNER GUARD FIN. NO. (55)

FINISHED FLOOR LEVEL

1 1/2" x 1 1/2" METAL CORNER GUARD FIN. NO. (55)



3 ELEVATION
F522 3/4" = 1'-0"

METAL END CAP PANEL C/W 5/8" x 2" HARDWOOD TRIM FIN. NO. (28) BY METAL SHELVING SUPPLIER (NO VISIBLE FASTENERS)

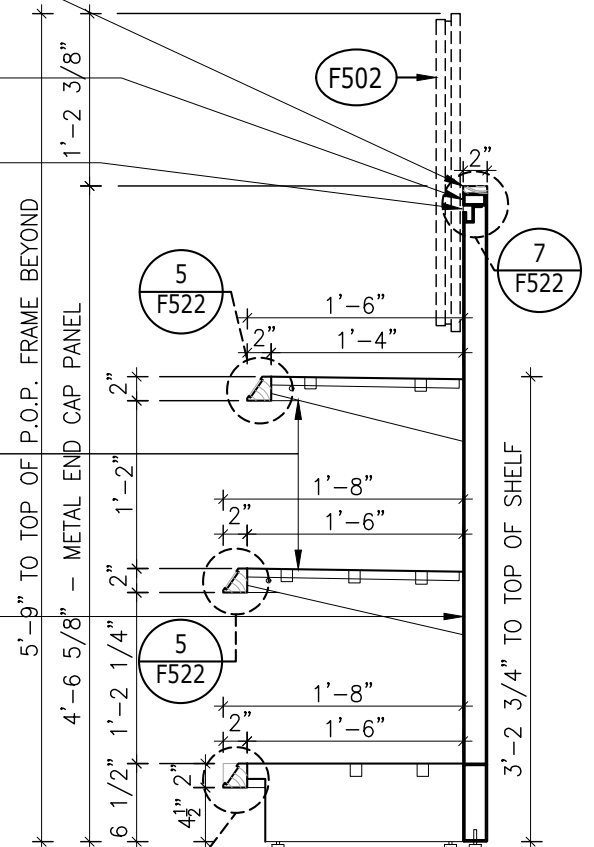
1" x 2" METAL TUBE FIN. (16A) BY SHELVING SUPPLIER

METAL CHANNEL FOR SLATWALL TYPE HARDWARE ON BACK OF P.O.P. FRAME. SHELVING SUPPLIER TO COORDINATE W/ MILLWORK CONTRACTOR

HEAVY DUTY METAL SHELVING FIN. NO. (16A) C/W ANGLED WOOD TICKET MOULDINGS FIN. NO. (28) TO ACCOMMODATE STANDARD LCBO 1 3/4" HIGH PAPER TICKETS AT ALL SHELVES ON H.D. METAL BRACKETS ALL IN FIN. (16A)

MASONITE PANEL TO MATCH FIN. (02A) (BOTH SIDES) SHELVING SUPPLIER TO ENSURE END CAP PANEL HAS SUFFICIENT BLOCKING WITHIN TO MAINTAIN INTEGRITY OF MASONITE PANEL (i.e. AT CONNECTION TO GONDOLA POST)

NOTE:
ALL COMPONENTS SUPPLIED BY METAL SHELVING SUPPLIER EXCLUDING P.O.P. & SIGNAGE (F502, F517 & F518)



4 SECTION
F522 3/4" = 1'-0"

LCBO	500 VQA	REVISION DATE	REV.	1 of 2	ISSUE DATE	STORE TYPE	STORE #
	3-HIGH VQA METAL GONDOLA END	2019 APR	16	F522	2021 APR		

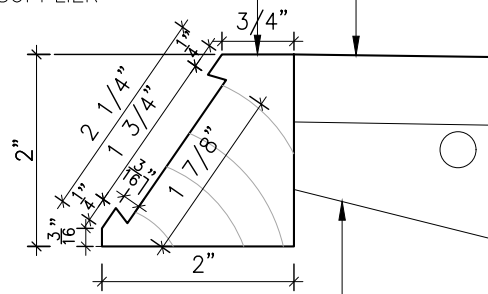
NOTE:
METAL SHELVING SUPPLIER TO SUPPLY
HARDWOOD TICKET MOULDINGS

HEAVY DUTY METAL SHELVING FIN. NO. (16A)
C/W ANGLED WOOD TICKET MOULDINGS
FIN. NO. (28) TO ACCOMMODATE
STANDARD LCBO 1 3/4" HIGH PAPER
TICKETS AT ALL SHELVES ON H.D.
METAL BRACKETS ALL IN FIN. (16A)

HARDWOOD TICKET MOULDING
(ANGLED) FIN. NO. (28)
BY METAL SHELVING SUPPLIER

METAL SHELF & BRACKET
FIN. NO. (16A) BY METAL
SHELVING SUPPLIER

5
F522
DETAIL
6" = 1'-0"



NOTE:
SOLID WOOD GRADE TO BE FAS

HEAVY DUTY METAL BASE FIN. NO. (16A)
C/W ANGLED WOOD TICKET MOULDINGS
TO ACCOMMODATE STANDARD LCBO 1 3/4"
HIGH PAPER TICKETS

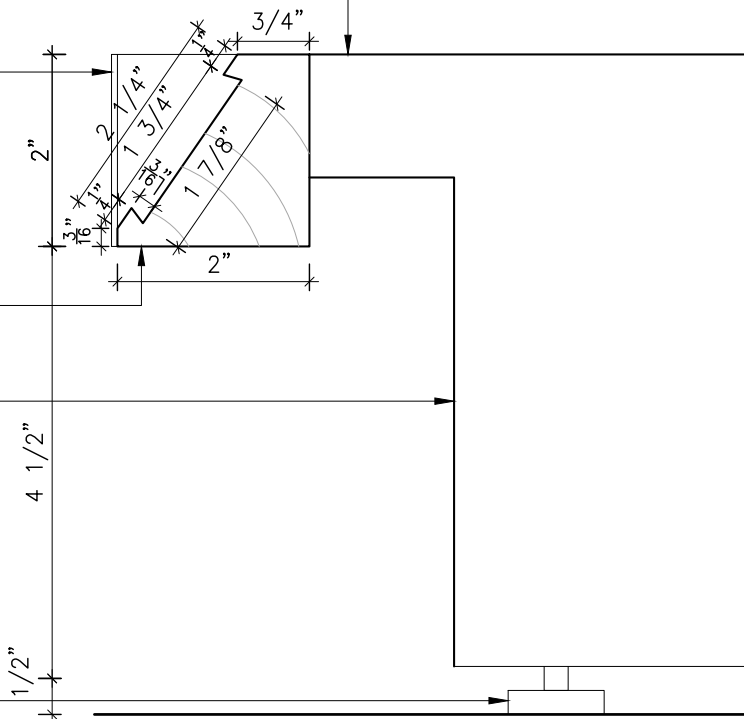
2 1/4" x 2 1/4" METAL
CORNER GUARD
FIN. NO. (55) BEYOND

HARDWOOD TICKET MOULDING
(ANGLED) FIN. NO. (28)

4" HIGH METAL BASE PT.
FIN. TO MATCH FIN. NO. (17)

HEAVY DUTY ADJ. GLIDES

6
F522
DETAIL
6" = 1'-0"



1" METAL TUBE C/W METAL
CHANNEL DETAIL FIN. NO. (16A)
SHELVING SUPPLIER TO SUPPLY
SHOP DWGS. FOR APPROVAL
PRIOR TO FABRICATION

F502

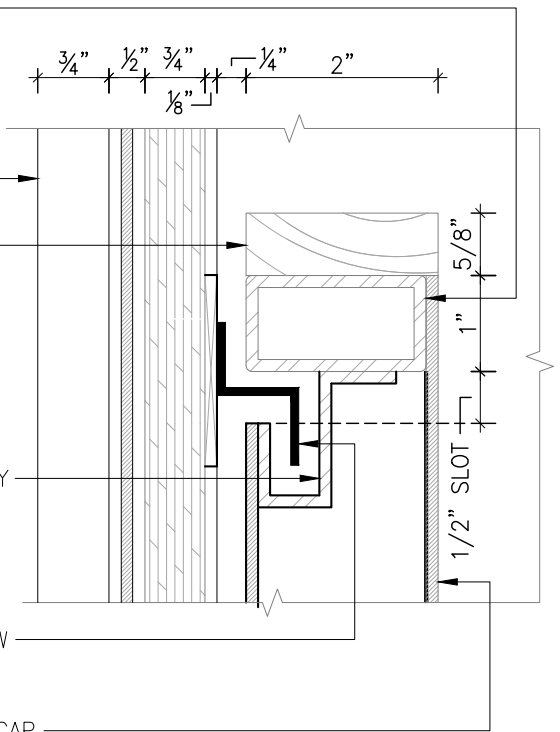
SOLID WOOD TRIM OF END
CAP PANEL FIN. (28) BY
SHELVING SUPPLIER. METAL
SHELVING SUPPLIER TO
COORDINATE WOOD TRIM FINISH
AND COLOUR TO MATCH
MILLWORKER'S WOOD TRIM

RE-INFORCED METAL CHANNEL BY
SHELVING SUPPLIER TO
ACCOMMODATE SLATWALL-TYPE
HARDWARE AS SHOWN ABOVE

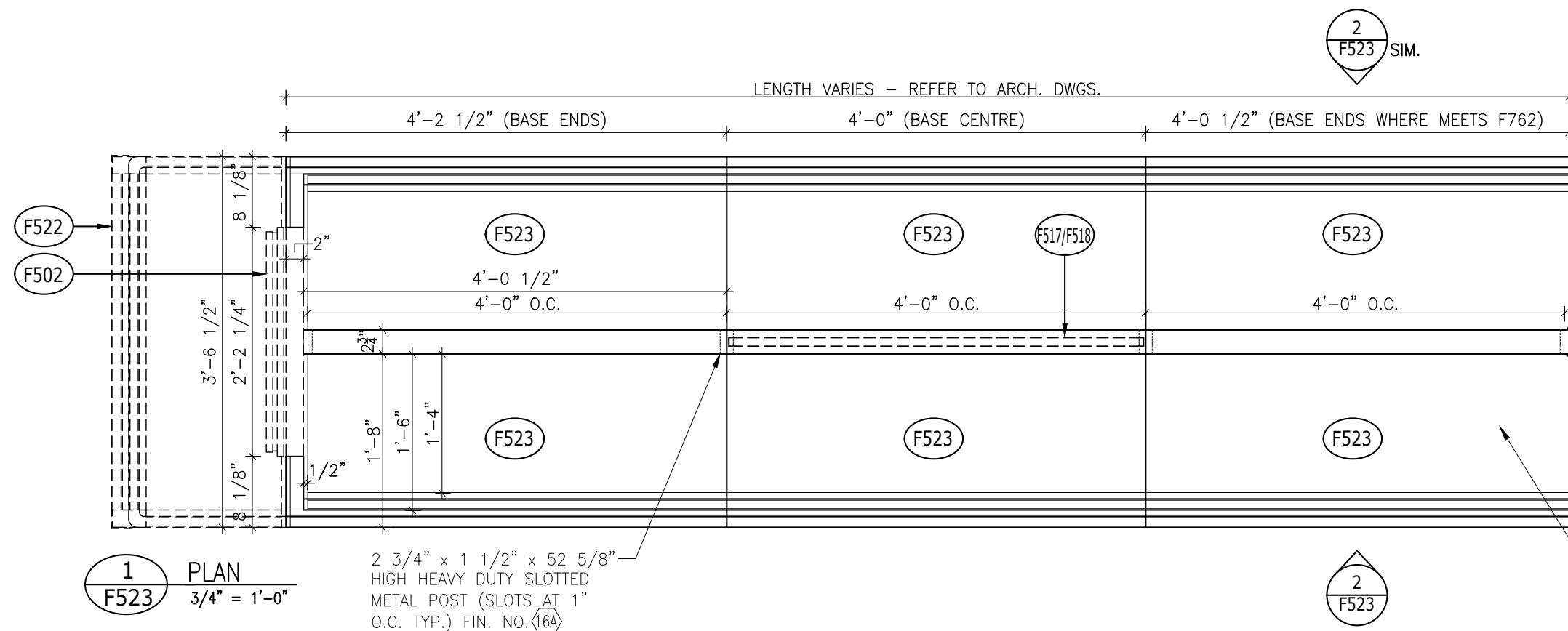
SLATWALL TYPE HARDWARE SCREW
FIXED TO BACK OF F502

MASONITE BACK PANEL OF END CAP
PANEL BY SHELVING SUPPLIER W/
TO MATCH FIN. NO. (16A)

7
F522
DETAIL
6" = 1'-0"



LCBO	500 VQA	REVISION DATE	REV.	2 of 2	ISSUE DATE	STORE TYPE	STORE #
	3-HIGH VQA METAL GONDOLA END	2019 APR	16	F522	2021 APR		



1 PLAN
F523 3/4" = 1'-0"

2 3/4" x 1 1/2" x 52 5/8"
HIGH HEAVY DUTY SLOTTED
METAL POST (SLOTS AT 1"
O.C. TYP.) FIN. NO. 16A

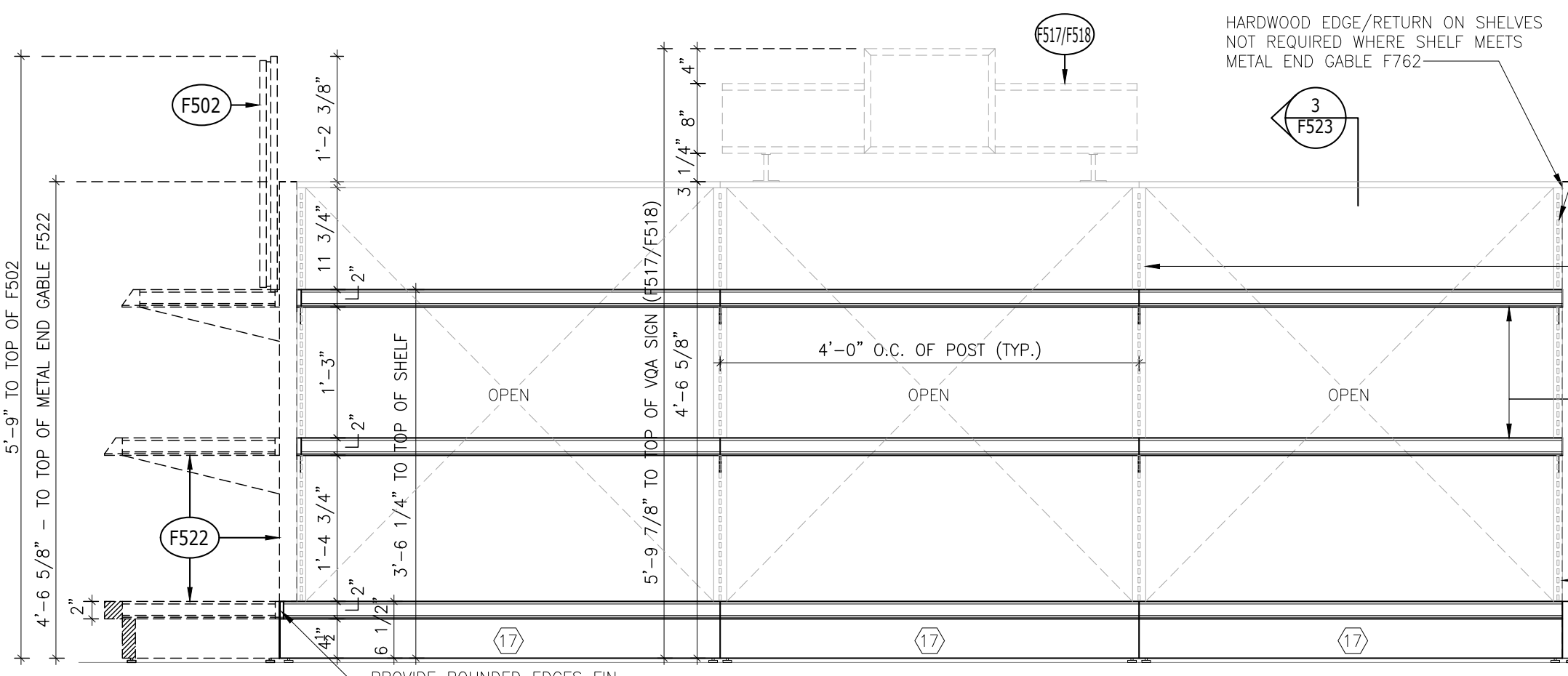
NOTE:
SOLID WOOD GRADE TO BE FAS

NOTE:
ALL COMPONENTS
SUPPLIED BY METAL
SHELVING SUPPLIER
EXCLUDING P.O.P. &
SIGNAGE (F502,
F517 & F518)

2 3/4" x 1" x 52 5/8"
HIGH HEAVY DUTY
SLOTTED METAL END
POST (SLOTS AT 1" O.C.
TYP.) FIN. NO. 16A

ALL END POSTS TO BE
MODIFIED AS REQUIRED
TO ENSURE THAT
THERE ARE NO GAPS
BETWEEN METAL
SHELVES AND END
GABLES (FILLER STRIPS
ARE NOT ACCEPTABLE)

HEAVY DUTY METAL SHELVING
FIN. NO. 16A C/W ANGLED
WOOD TICKET MOULDINGS FIN.
NO. 28 TO ACCOMMODATE
STANDARD LCBO 1 3/4" HIGH
PAPER TICKETS AT ALL
SHELVES ON H.D. METAL
BRACKETS ALL IN FIN. 16A



2 ELEVATION
F523 3/4" = 1'-0"

PROVIDE ROUNDED EDGES FIN.
NO. 28 AT END OF BASE TICKET
MOULDINGS WHERE BASE MEETS
CONDOLA END CAP PANEL

HARDWOOD EDGE/RETURN ON SHELVES
NOT REQUIRED WHERE SHELF MEETS
METAL END GABLE F762

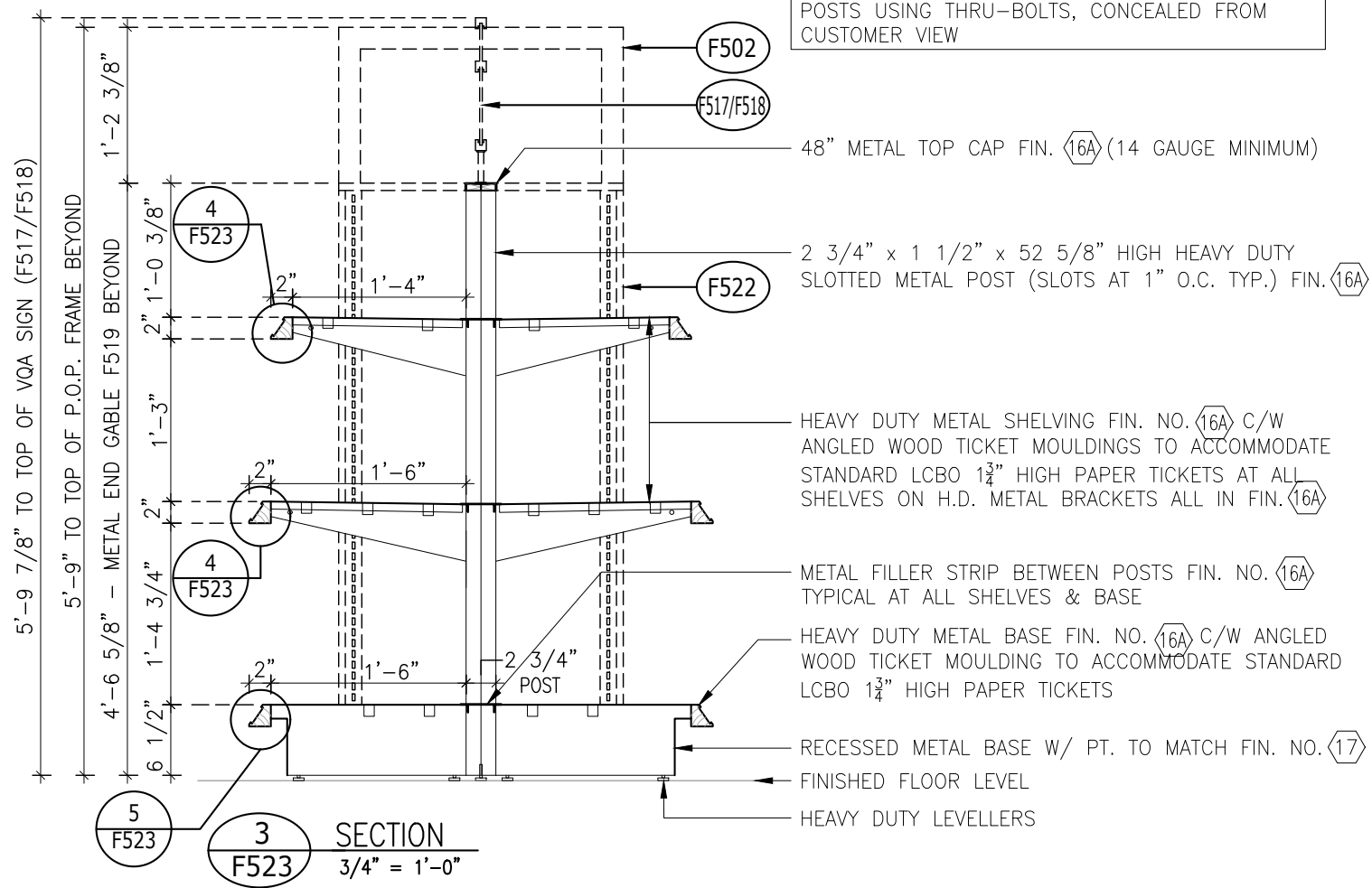
2 3/4" x 1" x 52 5/8"
HIGH HEAVY DUTY
SLOTTED METAL END
POST (SLOTS AT 1" O.C.
TYP.) FIN. NO. 16A

2 3/4" x 1 1/2" x
52 5/8" HIGH HEAVY
DUTY SLOTTED METAL
POST (SLOTS AT 1"
O.C. TYP.) FIN. NO. 16A

HEAVY DUTY METAL SHELVING
FIN. NO. 16A C/W ANGLED
WOOD TICKET MOULDINGS FIN.
NO. 28 TO ACCOMMODATE
STANDARD LCBO 1 3/4" HIGH
PAPER TICKETS AT ALL
SHELVES ON H.D. METAL
BRACKETS ALL IN FIN. 16A

ALL END POSTS TO BE
MODIFIED AS
REQUIRED TO ENSURE THAT
THERE ARE NO GAPS BETWEEN METAL
SHELVES AND END
GABLES (FILLER
STRIPS ARE NOT ACCEPTABLE)

LCBO	500 VQA	REVISION DATE	REV.	1 of 2	ISSUE DATE	STORE TYPE	STORE #
	VQA 3-HIGH 4'-0" METAL FLOOR GONDOLA	2019 APR	16	F523	2021 APR		

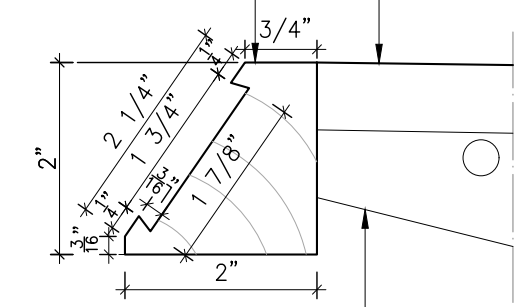


NOTE:
SOLID WOOD GRADE TO BE FAS

END CAP PANELS (F522) TO BE SECURED TO END POSTS USING THRU-BOLTS, CONCEALED FROM CUSTOMER VIEW

HEAVY DUTY METAL SHELVING FIN. NO. (16A)
C/W ANGLED WOOD TICKET MOULDINGS
TO ACCOMMODATE STANDARD LCBO 1 3/4\"/>

HARDWOOD TICKET MOULDING
(ANGLED) FIN. NO. (28)
BY METAL SHELVING SUPPLIER



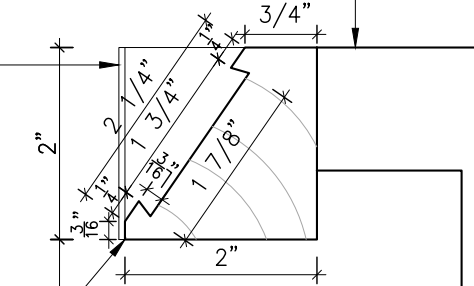
METAL SHELF & BRACKET FIN. NO. (16A)
BY METAL SHELVING SUPPLIER

4 DETAIL
F523 6" = 1'-0"

NOTE:
METAL SHELVING SUPPLIER TO SUPPLY
HARDWOOD TICKET MOULDINGS

HEAVY DUTY METAL BASE FIN. NO. (16A)
C/W ANGLED WOOD TICKET MOULDINGS
TO ACCOMMODATE STANDARD LCBO 1 3/4\"/>

2 1/4" x 2 1/4" METAL
CORNER GUARD
FIN. NO. (55) BEYOND



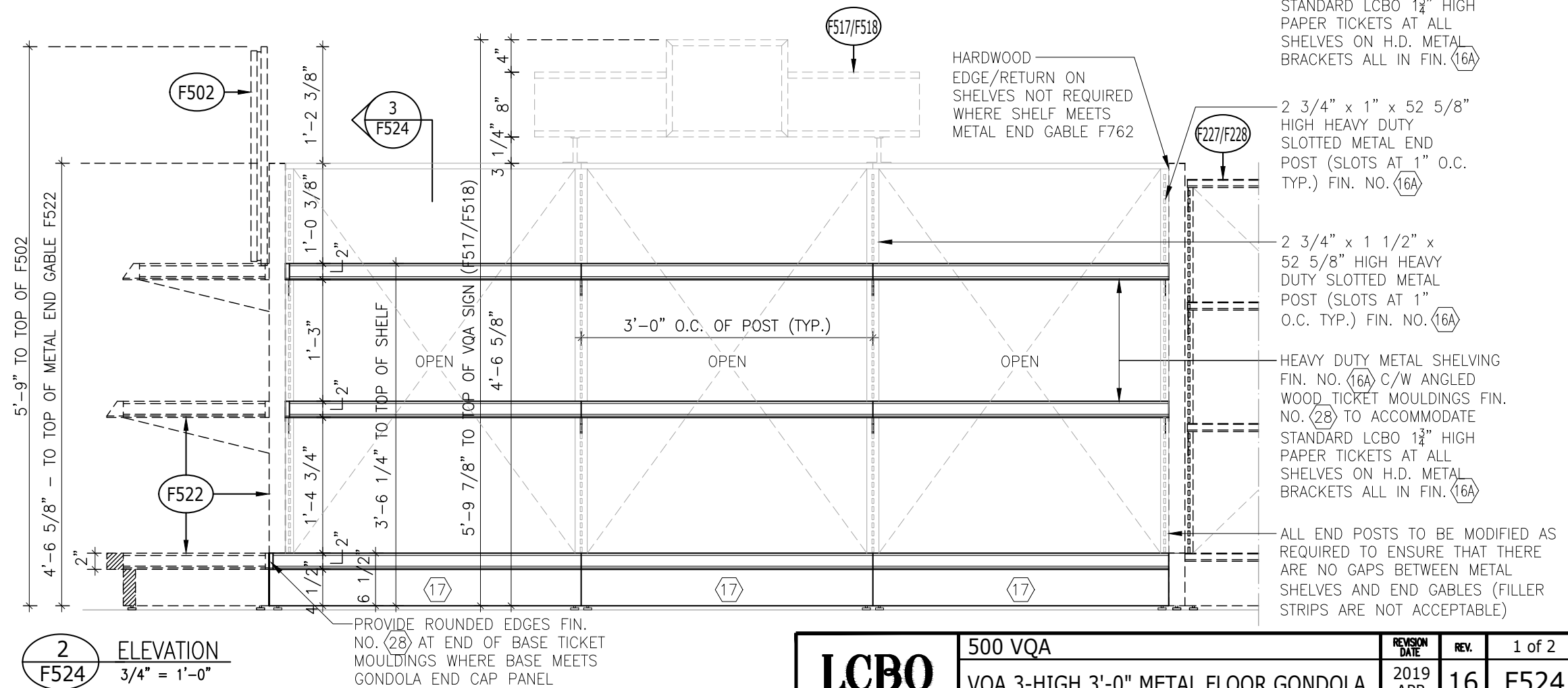
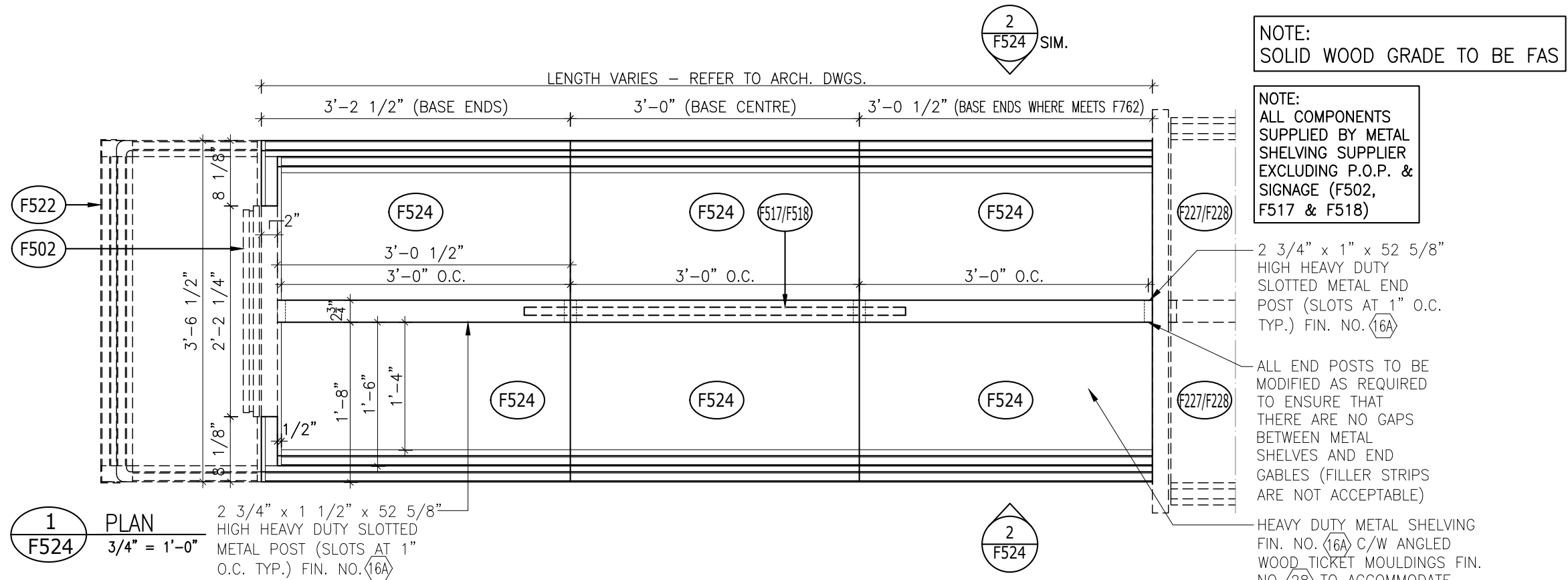
HARDWOOD TICKET MOULDING
(ANGLED) FIN. NO. (28)

4" HIGH METAL BASE PT.
FIN. TO MATCH FIN. NO. (17)

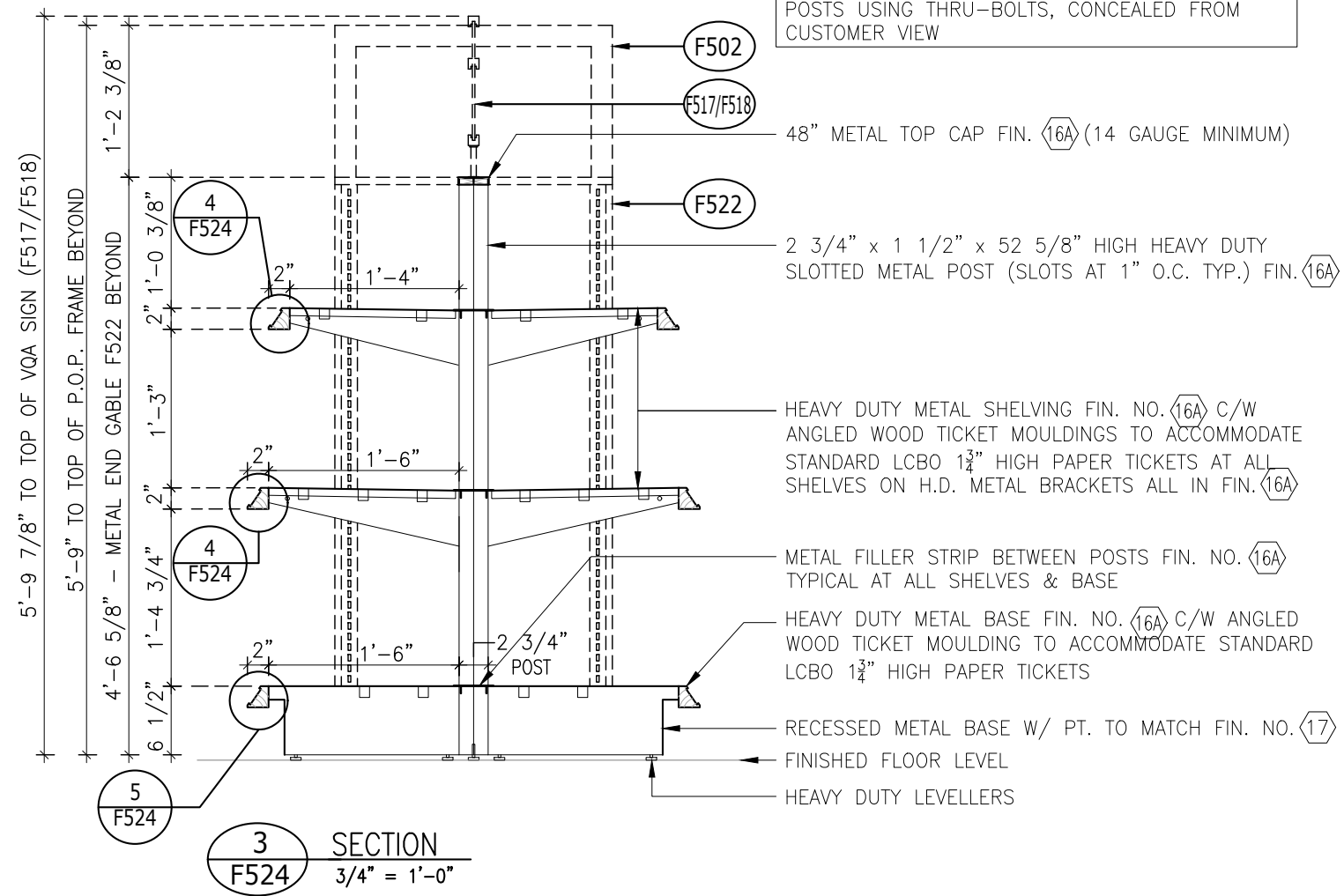
HEAVY DUTY ADJ. GLIDES

5 DETAIL
F523 6" = 1'-0"

LCBO	500 VQA	REVISION DATE	REV.	2 of 2	ISSUE DATE	STORE TYPE	STORE #
	VQA 3-HIGH 4'-0" METAL FLOOR GONDOLA	2019 APR	16	F523	2021 APR		



LCBO	500 VQA	REVISION DATE	REV.	1 of 2	ISSUE DATE	STORE TYPE	STORE #
	VQA 3-HIGH 3'-0" METAL FLOOR GONDOLA	2019 APR	16	F524	2021 APR		

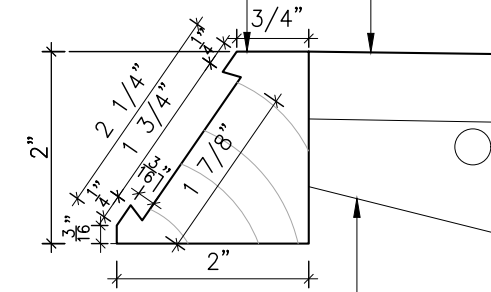


NOTE:
SOLID WOOD GRADE TO BE FAS

END CAP PANELS (F522) TO BE SECURED TO END POSTS USING THRU-BOLTS, CONCEALED FROM CUSTOMER VIEW

HEAVY DUTY METAL SHELVING FIN. NO. (16A)
C/W ANGLED WOOD TICKET MOULDINGS
TO ACCOMMODATE STANDARD LCBO 1 3/4"
HIGH PAPER TICKETS AT ALL SHELVES
ON H.D. METAL BRACKETS ALL IN FIN. (16A)

HARDWOOD TICKET MOULDING
(ANGLED) FIN. NO. (28)
BY METAL SHELVING SUPPLIER



METAL SHELF & BRACKET FIN. NO. (16A)
BY METAL SHELVING SUPPLIER

4 DETAIL
F524 6" = 1'-0"

NOTE:
METAL SHELVING SUPPLIER TO SUPPLY
HARDWOOD TICKET MOULDINGS

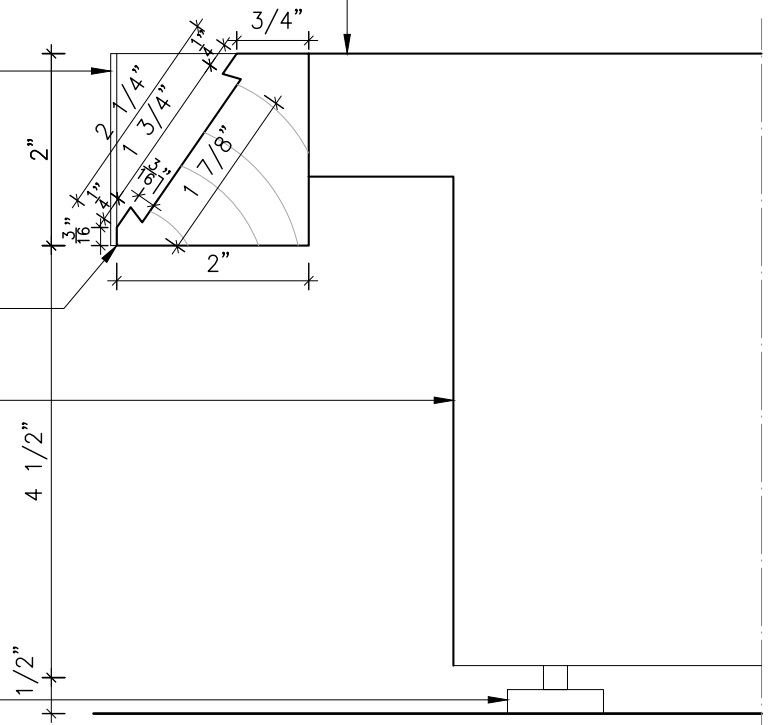
HEAVY DUTY METAL BASE FIN. NO. (16A)
C/W ANGLED WOOD TICKET MOULDINGS
TO ACCOMMODATE STANDARD LCBO 1 3/4"
HIGH PAPER TICKETS

2 1/4" x 2 1/4" METAL
CORNER GUARD
FIN. NO. (55) BEYOND

HARDWOOD TICKET MOULDING
(ANGLED) FIN. NO. (28)

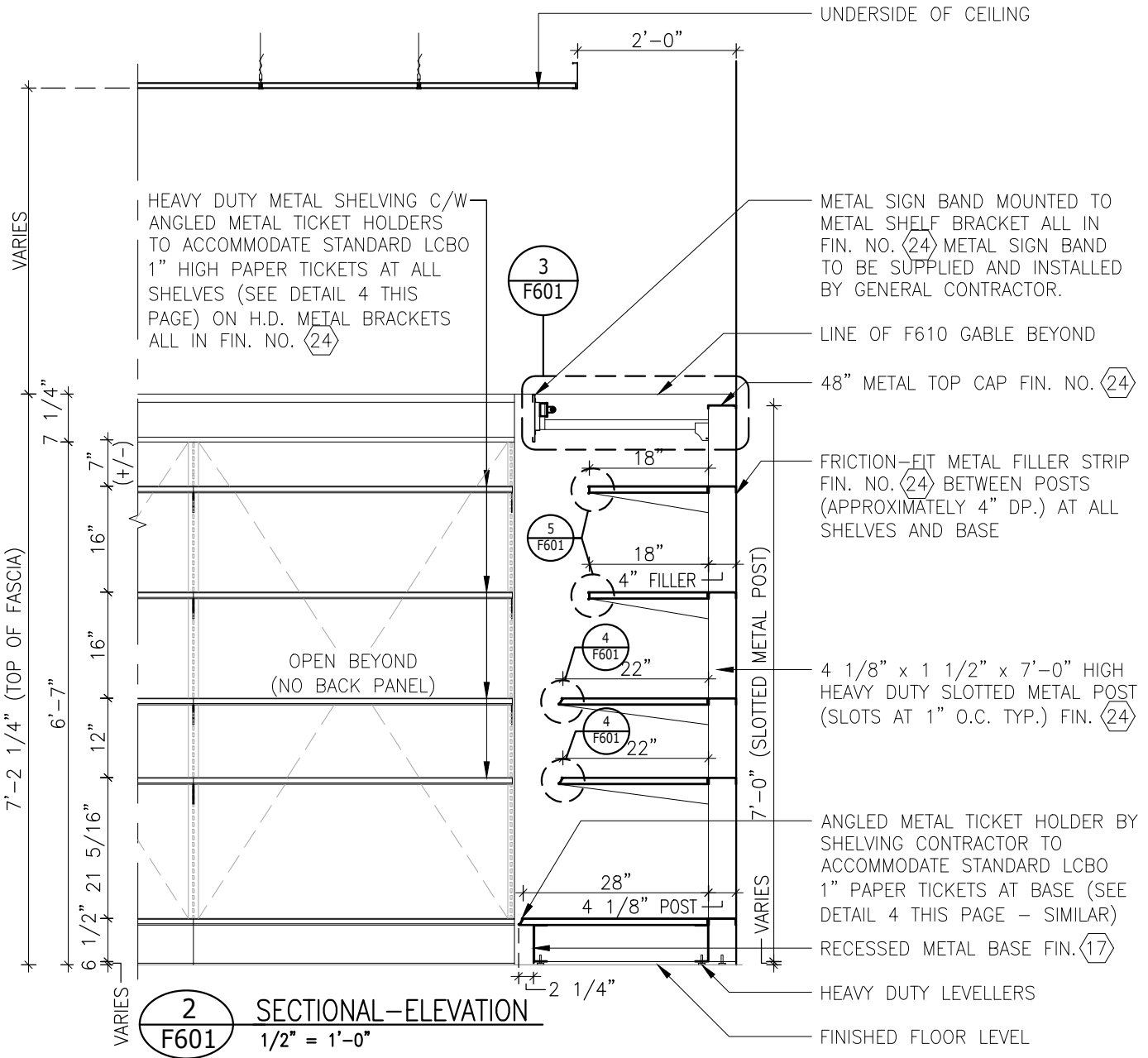
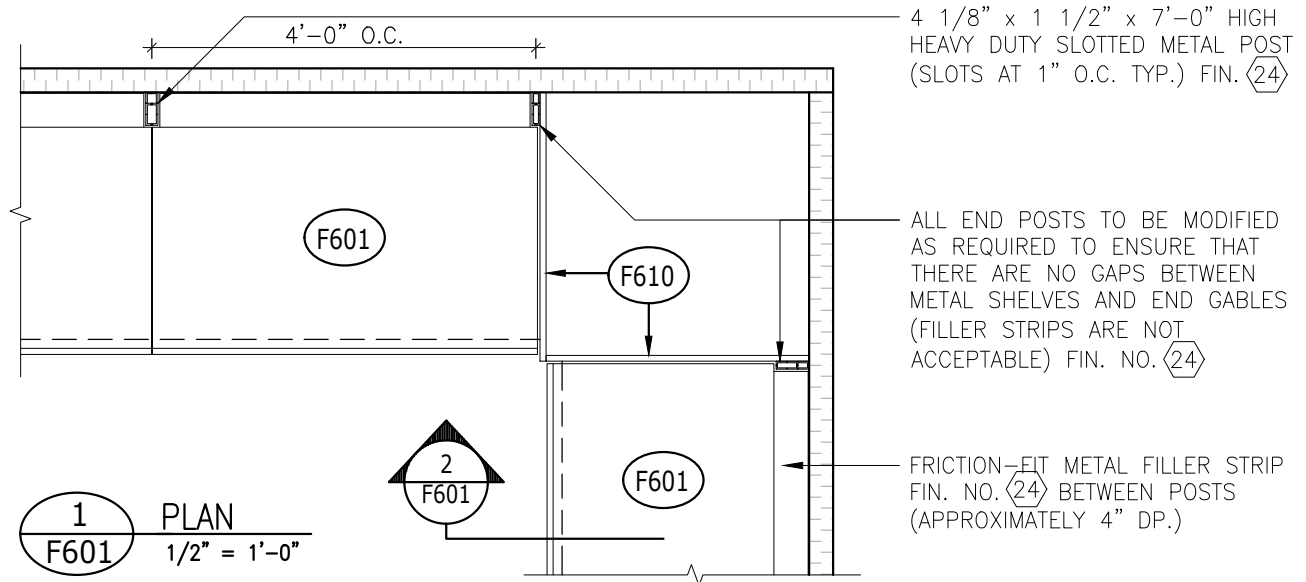
4" HIGH METAL BASE PT.
FIN. TO MATCH FIN. NO. (17)

HEAVY DUTY ADJ. GLIDES



5 DETAIL
F524 6" = 1'-0"

LCBO	500 VQA	REVISION DATE	REV.	2 of 2	ISSUE DATE	STORE TYPE	STORE #
	VQA 3-HIGH 3'-0" METAL FLOOR GONDOLA	2019 APR	16	F524	2021 APR		



NOTE:
GC TO ENSURE THAT METAL SIGN BAND IS TRUE AND LEVEL AND CONSTRUCTED IN MINIMUM 8'-0" LENGTHS EXCEPT AT END RUNS AS REQUIRED

LINE OF F610 GABLE BEYOND

FLUORESCENT LIGHT FIXTURES MOUNTED TO BACK OF SIGN BAND BY G.C.'S ELECTRICAL SUBTRADE

7 1/4" HIGH BREAK-FORM METAL SIGN BAND FIN. (24) SUPPLIED BY SHELVING SUPPLIER TO ACCOMMODATE 6 3/8" HIGH SIGN CARD, MOUNTED TO METAL BRACKET BY METAL SHELVING SUPPLIER ALSO IN FIN. NO. (24)

3/4" x 3/4" x 4" HIGH METAL ANGLE WELDED TO BRACKET FIN. NO. (24)

1 1/2" x 1/2" 18 GAUGE METAL TUBE FIN. NO. (24) BY SHELVING SUPPLIER

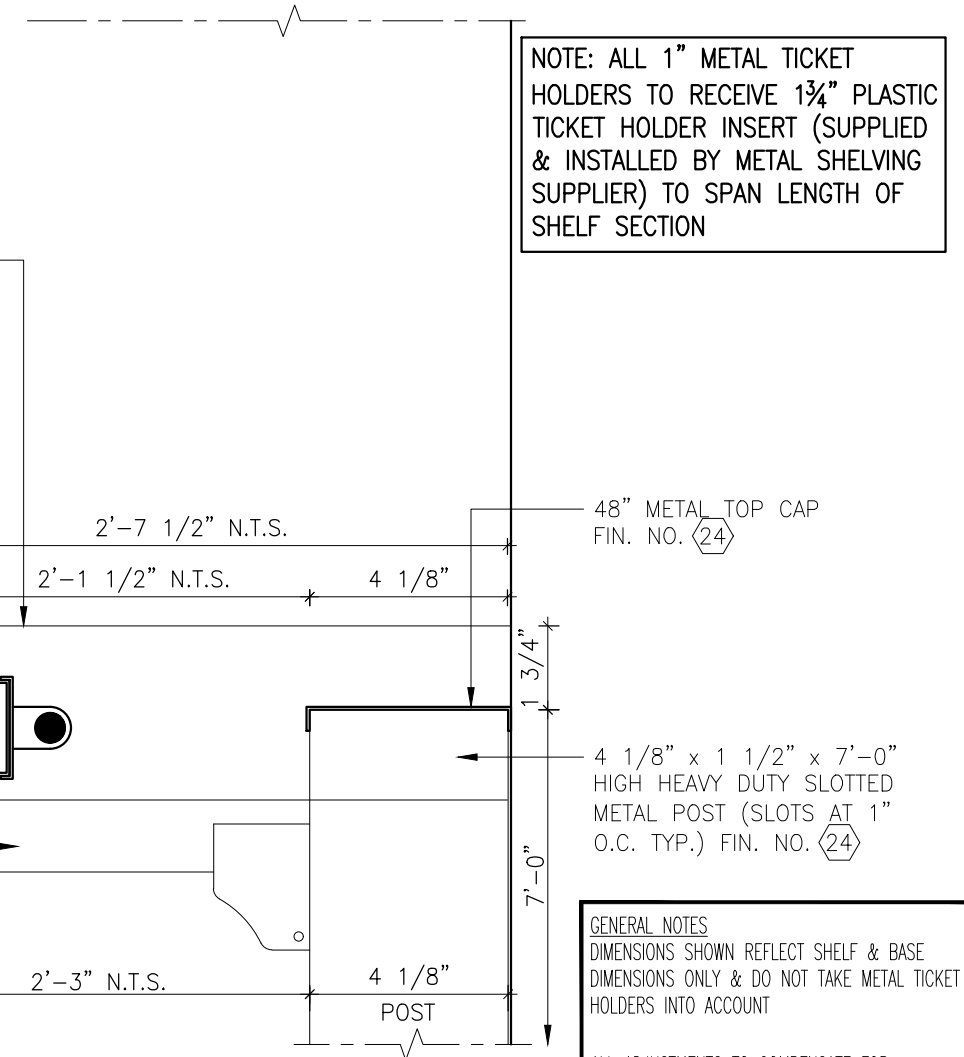
3 DETAIL
F601 3" = 1'-0"

HEAVY DUTY METAL SHELVING C/W ANGLED METAL TICKET HOLDERS ON H.D. METAL BRACKETS ALL IN FIN. NO. (24)

ANGLED METAL TICKET HOLDERS (20 GAUGE) TO ACCOMMODATE STANDARD LCBO 1" HIGH PAPER TICKETS AT ALL SHELVES FIN. (24)

METAL SHELVING SUPPLIER TO SUPPLY & INSTALL PLASTIC TICKET HOLDER

4 ANGLED METAL TICKET HOLDER DETAIL
F601 FULL SCALE



HEAVY DUTY METAL SHELVING C/W STRAIGHT METAL TICKET HOLDERS ON H.D. METAL BRACKETS ALL IN FIN. NO. (24)

ANGLED METAL TICKET HOLDERS (20 GAUGE) TO ACCOMMODATE STANDARD LCBO 1" HIGH PAPER TICKETS AT ALL SHELVES FIN. (24)

NOTE: NO VISIBLE HOLES IN FRONT OF TICKET HOLDER

5 STRAIGHT METAL TICKET HOLDER DETAIL
F601 FULL SCALE

NOTE: ALL 1" METAL TICKET HOLDERS TO RECEIVE 1 3/4" PLASTIC TICKET HOLDER INSERT (SUPPLIED & INSTALLED BY METAL SHELVING SUPPLIER) TO SPAN LENGTH OF SHELF SECTION

GENERAL NOTES
DIMENSIONS SHOWN REFLECT SHELF & BASE DIMENSIONS ONLY & DO NOT TAKE METAL TICKET HOLDERS INTO ACCOUNT

ALL ADJUSTMENTS TO COMPENSATE FOR NON-LEVEL FLOOR SURFACES TO BE MADE AT BOTTOM END OF POST

GC TO CO-ORDINATE INSTALLATION

T5 FLUORESCENT LIGHT FIXTURES TO BE SUPPLIED & INSTALLED BY G.C.

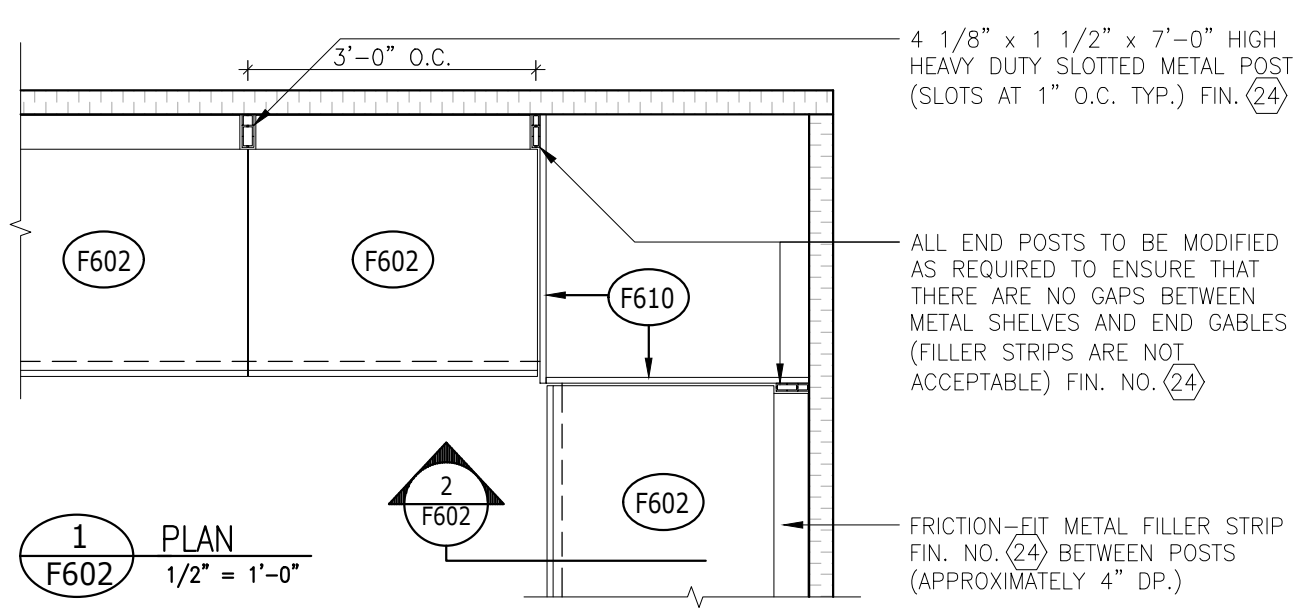
GC TO OBTAIN SIGNAGE SAMPLE FROM LCBO PRIOR TO FABRICATION TO ENSURE PROPER FIT OF SIGNAGE INSERT

SHELVING SUPPLIER TO OBTAIN 1" HIGH PAPER TICKET SAMPLE FROM LCBO PRIOR TO FABRICATION TO ENSURE PROPER FIT WITHIN TICKET MOULDING. SUBMIT SAMPLE FOR APPROVAL

GC TO ENSURE ALL SHELVES ARE IN EXACT ALIGNMENT AND ARE TRUE & LEVEL. PERFORATED SHELVES ARE ACCEPTABLE. SHELVES TO SUPPORT LOAD CAPACITY OF 500LBS

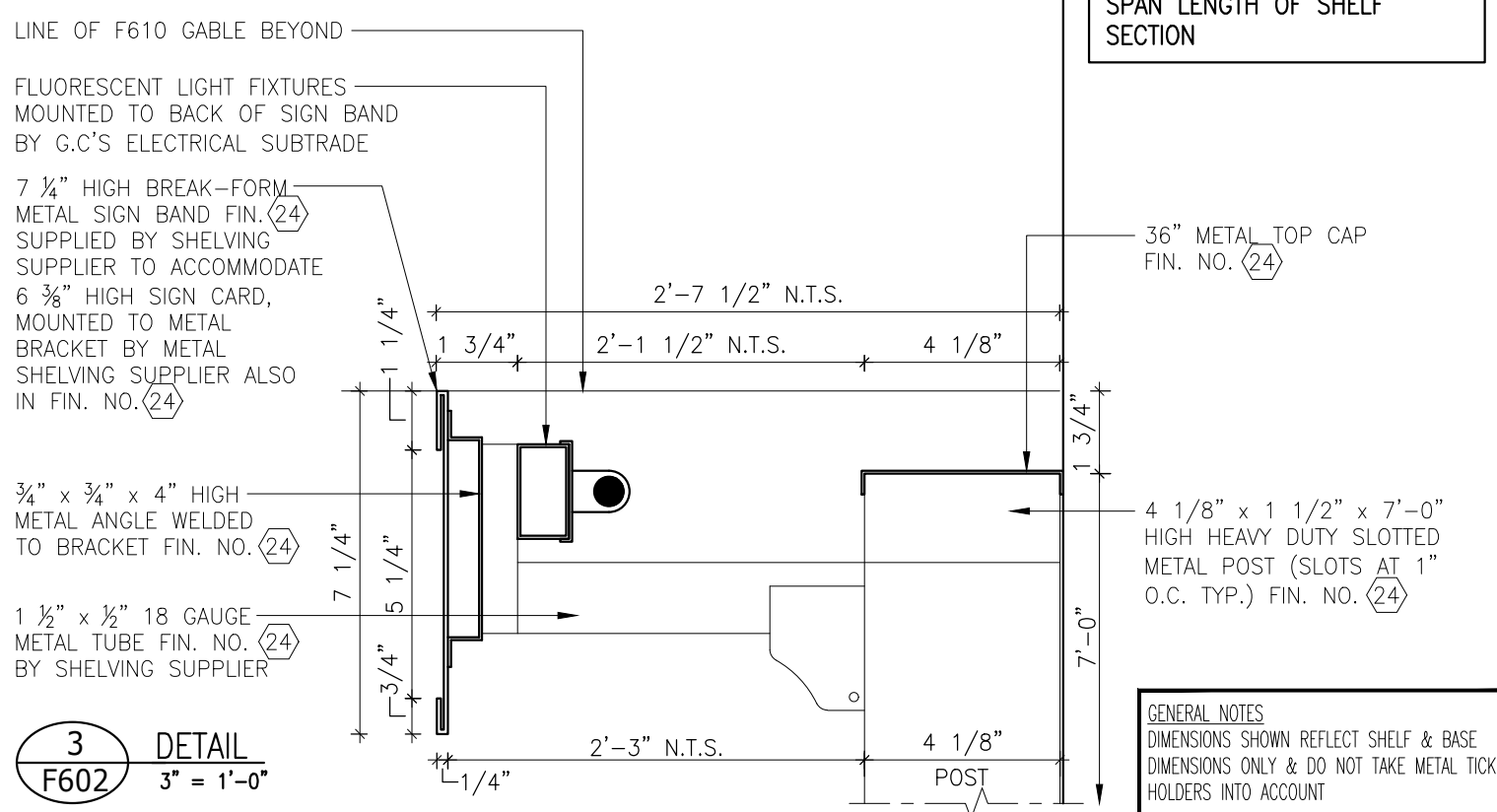
ALL END POSTS TO BE MODIFIED AS REQUIRED TO ENSURE THAT THERE ARE NO GAPS BETWEEN METAL SHELVES AND END GABLES (FILLER STRIPS ARE NOT ACCEPTABLE)

LCBO	600 WALK-IN COLDROOM	REVISION DATE	REV.	1 of 1	ISSUE DATE	STORE TYPE	STORE #
	4'-0" WALK-IN COLDROOM PERIMETER METAL SHELVING UNIT	2021 MAR.	17	F601	2021 APR		



NOTE:
GC TO ENSURE THAT METAL SIGN BAND IS TRUE AND LEVEL AND CONSTRUCTED IN MINIMUM 8'-0" LENGTHS EXCEPT AT END RUNS AS REQUIRED

NOTE: ALL 1" METAL TICKET HOLDERS TO RECEIVE 1 3/4" PLASTIC TICKET HOLDER INSERT (SUPPLIED & INSTALLED BY METAL SHELVING SUPPLIER) TO SPAN LENGTH OF SHELF SECTION



GENERAL NOTES
DIMENSIONS SHOWN REFLECT SHELF & BASE DIMENSIONS ONLY & DO NOT TAKE METAL TICKET HOLDERS INTO ACCOUNT

ALL ADJUSTMENTS TO COMPENSATE FOR NON-LEVEL FLOOR SURFACES TO BE MADE AT BOTTOM END OF POST

GC TO CO-ORDINATE INSTALLATION

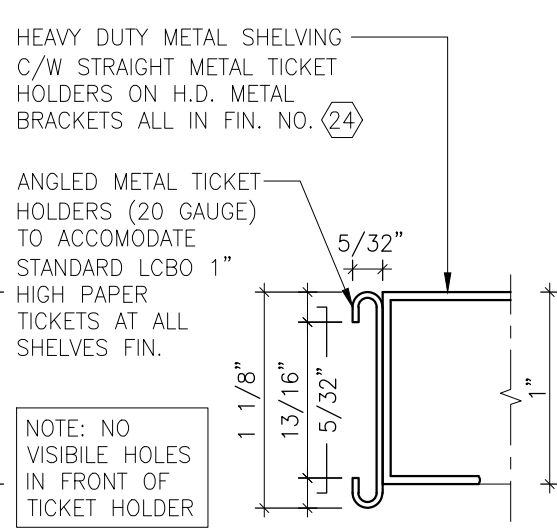
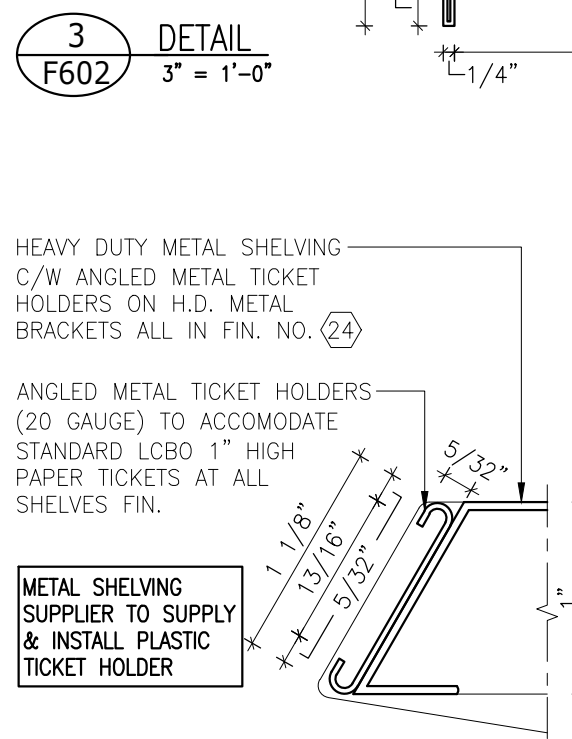
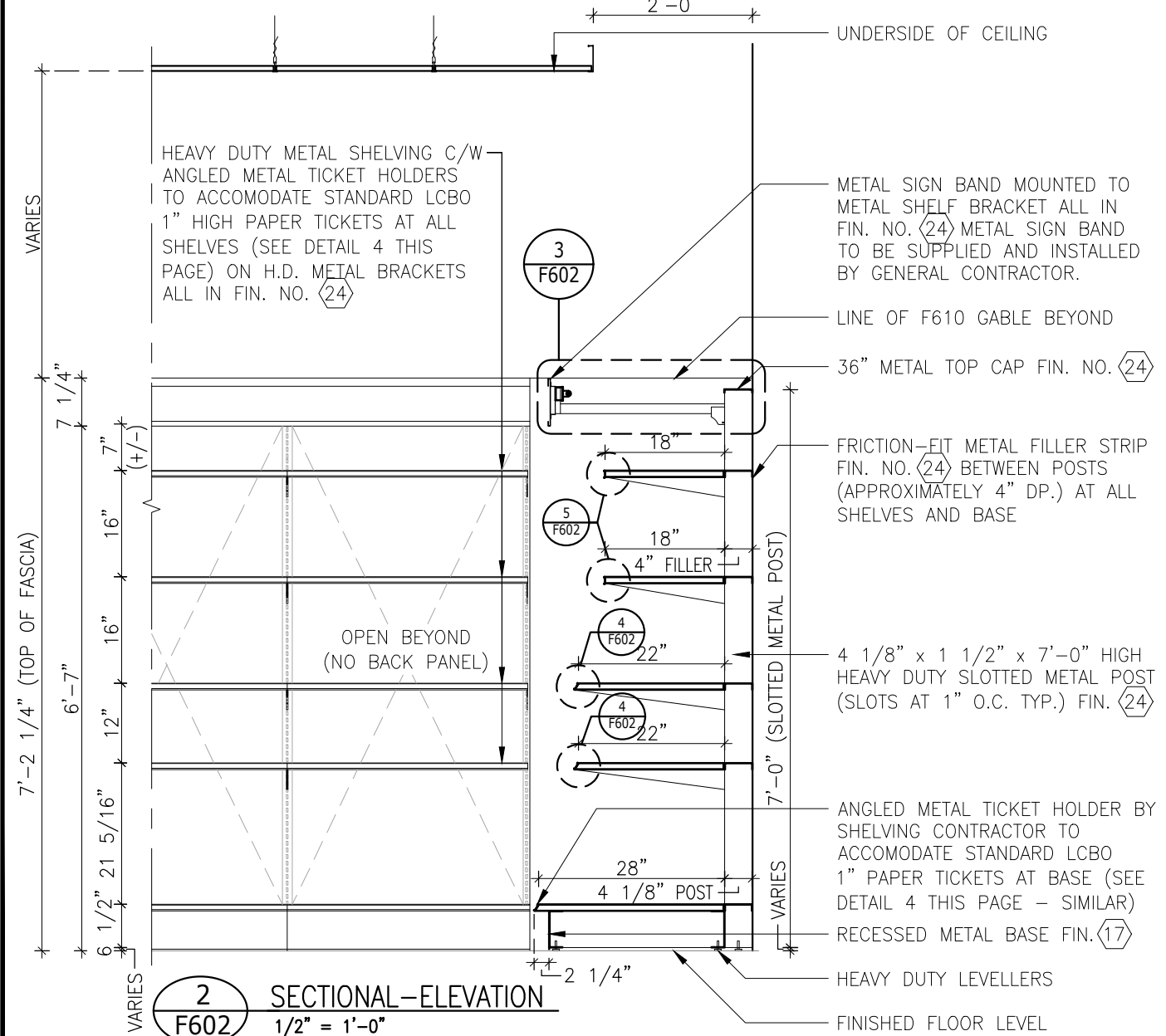
T5 FLUORESCENT LIGHT FIXTURES TO BE SUPPLIED & INSTALLED BY G.C.

GC TO OBTAIN SIGNAGE SAMPLE FROM LCBO PRIOR TO FABRICATION TO ENSURE PROPER FIT OF SIGNAGE INSERT

SHELVING SUPPLIER TO OBTAIN 1" HIGH PAPER TICKET SAMPLE FROM LCBO PRIOR TO FABRICATION TO ENSURE PROPER FIT WITHIN TICKET MOULDING. SUBMIT SAMPLE FOR APPROVAL

GC TO ENSURE ALL SHELVES ARE IN EXACT ALIGNMENT AND ARE TRUE & LEVEL. PERFORATED SHELVES ARE ACCEPTABLE. SHELVES TO SUPPORT LOAD CAPACITY OF 500LBS

ALL END POSTS TO BE MODIFIED AS REQUIRED TO ENSURE THAT THERE ARE NO GAPS BETWEEN METAL SHELVES AND END GABLES (FILLER STRIPS)

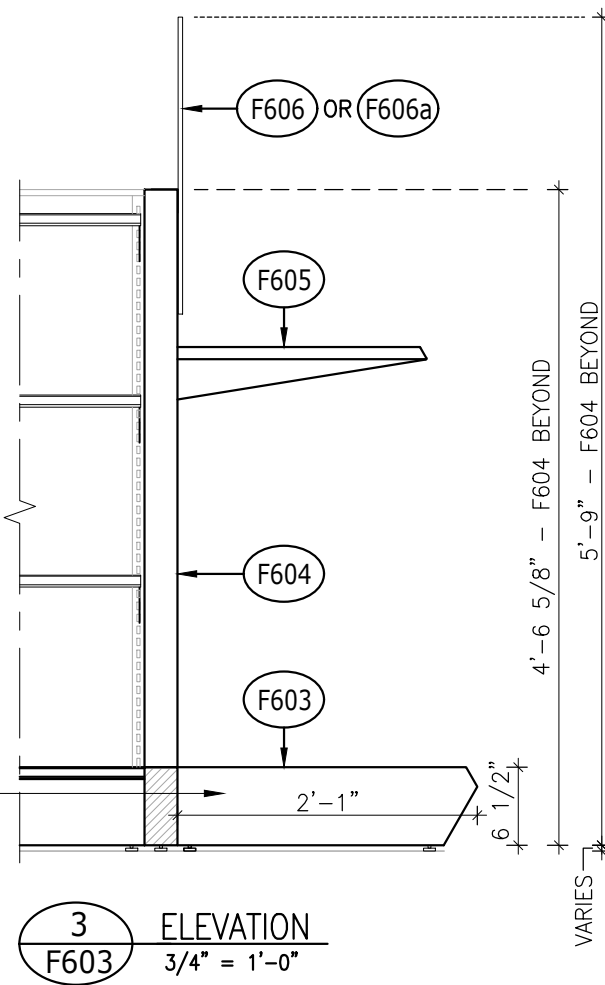
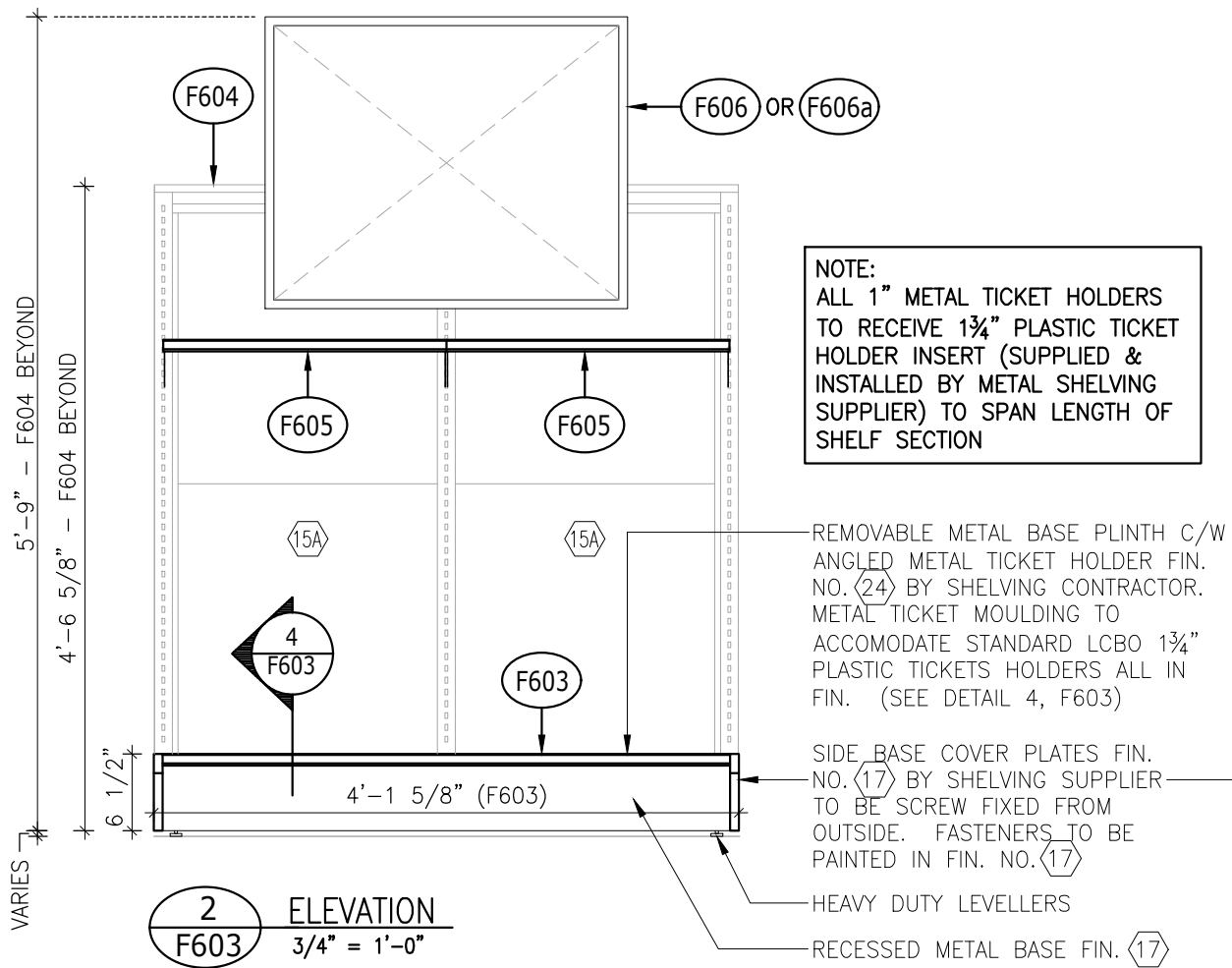
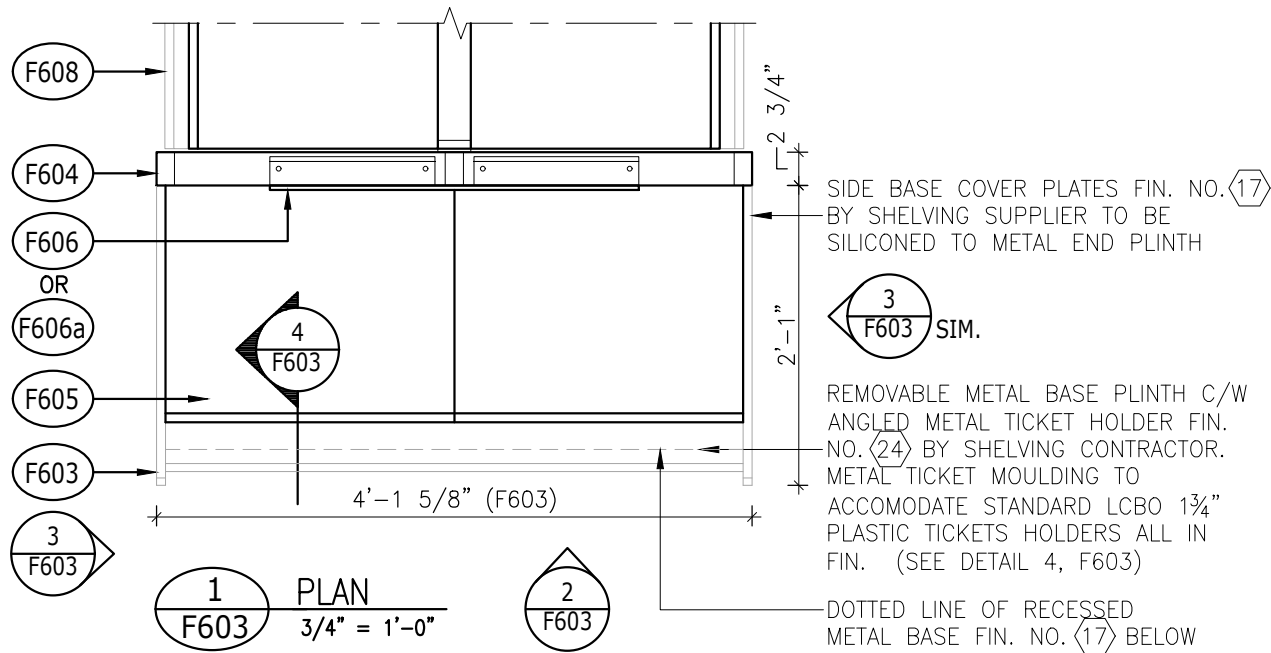


NOTE: NO VISIBLE HOLES IN FRONT OF TICKET HOLDER

4 ANGLED METAL TICKET HOLDER DETAIL
F602 FULL SCALE

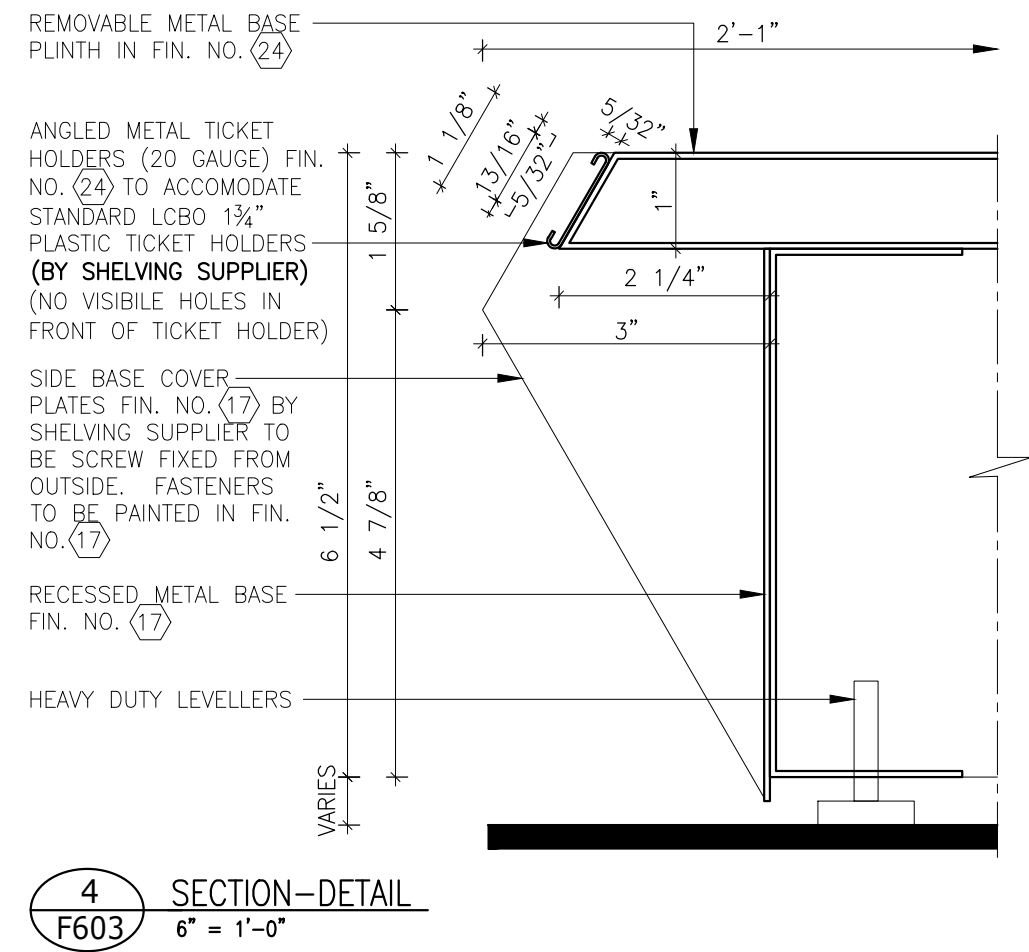
5 STRAIGHT METAL TICKET HOLDER DETAIL
F602 FULL SCALE

LCBO	600 WALK-IN COLDROOM	REVISION DATE	REV.	1 of 1	ISSUE DATE	STORE TYPE	STORE #
	3'-0" WALK-IN COLDROOM PERIMETER METAL SHELVING UNIT	2021 MAR.	17	F602	2021 APR		

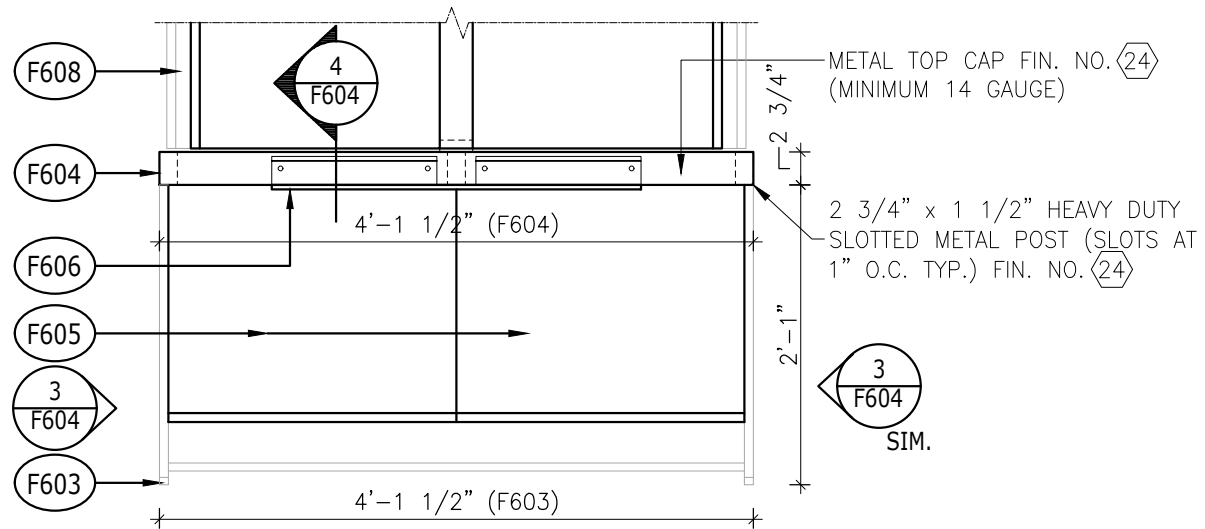


GENERAL NOTES

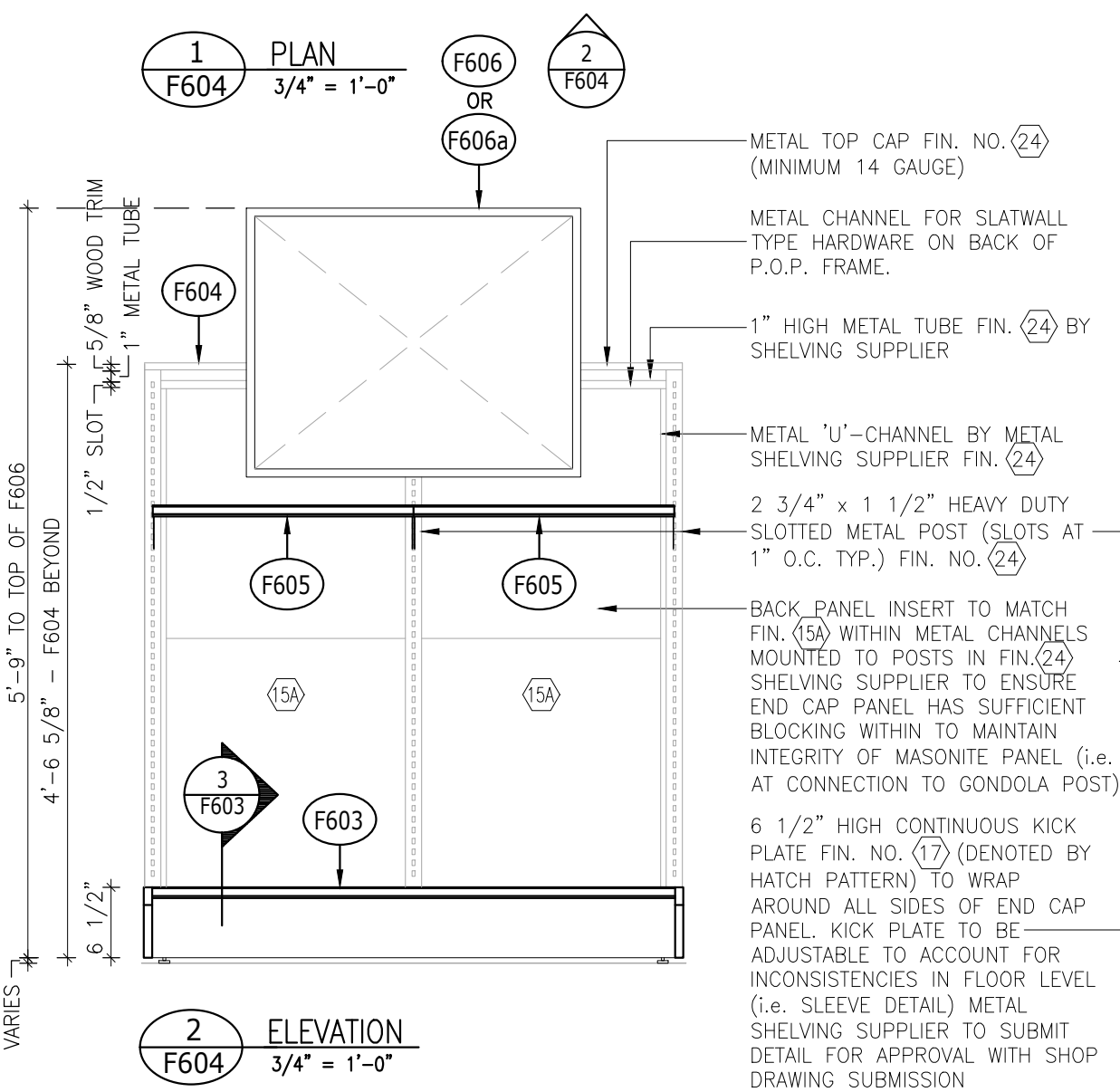
- DIMENSIONS SHOWN REFLECT SHELF & BASE DIMENSIONS ONLY & DO NOT TAKE METAL TICKET HOLDERS INTO ACCOUNT
- SHELVING SUPPLIER TO OBTAIN 1 3/4" HIGH PLASTIC TICKET HOLDER SAMPLE FROM LCBO PRIOR TO FABRICATION TO ENSURE PROPER FIT WITHIN METAL TICKET MOULDING. SUBMIT SAMPLE FOR APPROVAL. SHELVING SUPPLIER TO SUPPLY AND INSTALL PLASTIC TICKET HOLDER
- PERFORATIONS IN REMOVABLE PLINTH ARE NOT ACCEPTABLE



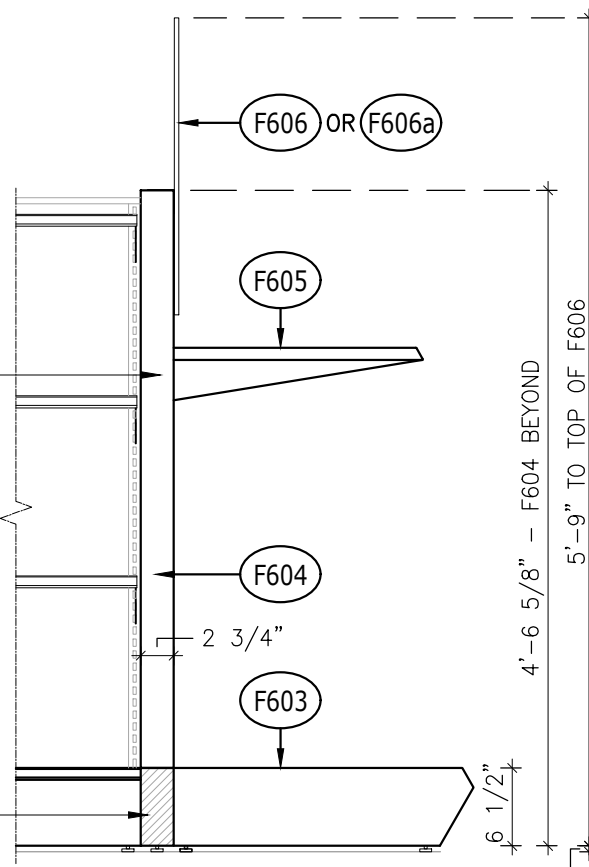
LCBO	600 WALK-IN COLDROOM	REVISION DATE	REV.	1 of 1	ISSUE DATE	STORE TYPE	STORE #
	WALK-IN COLDROOM END PLINTH	2021 MAR.	17	F603	2021 APR		



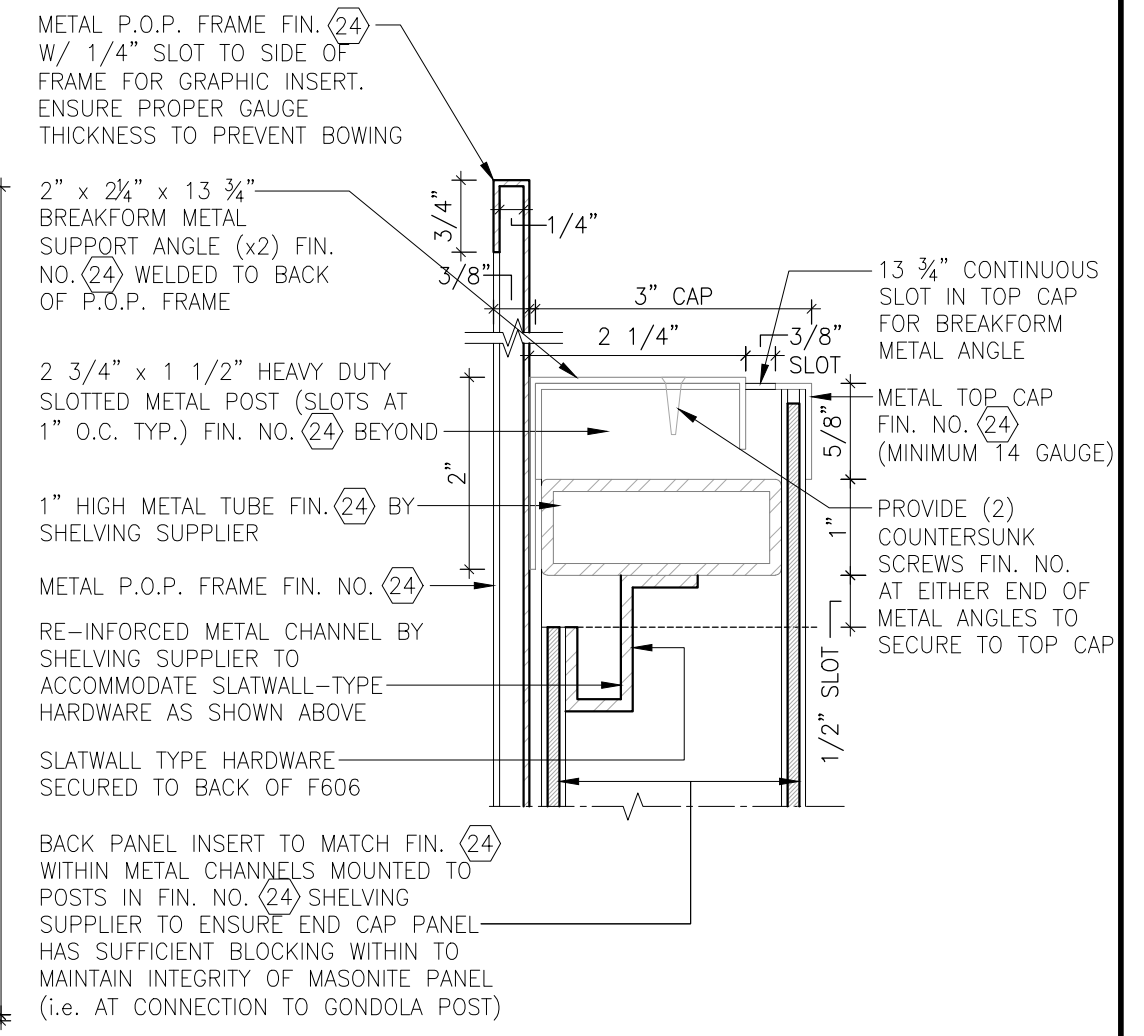
1 PLAN
F604 3/4" = 1'-0"



2 ELEVATION
F604 3/4" = 1'-0"



3 ELEVATION
F604 3/4" = 1'-0"



4 DETAIL
F604 6" = 1'-0"

GENERAL NOTES

- GC TO CO-ORDINATE INSTALLATION
- END CAP PANELS (F604) TO BE SECURED TO END POSTS USING THRU-BOLTS, CONCEALED FROM CUSTOMER VIEW. METAL SHELVEING SUPPLIER TO ENSURE END CAP PANEL HAS SUFFICIENT BLOCKING WITHIN TO MAINTAIN INTEGRITY OF MASONITE PANEL.
- INSERT PANEL END CAP TO BE METAL OR ANTIBACTERIAL/ WATER-RESISTANT MASONITE (FIBREX OR APPROVED EQUAL) TO MATCH FIN. NO. 15A

METAL P.O.P. FRAME FIN. (24) W/ 1/4" SLOT TO SIDE OF FRAME FOR GRAPHIC INSERT. ENSURE PROPER GAUGE THICKNESS TO PREVENT BOWING

2" x 2 1/4" x 13 3/4" BREAKFORM METAL SUPPORT ANGLE (x2) FIN. NO. (24) WELDED TO BACK OF P.O.P. FRAME

2 3/4" x 1 1/2" HEAVY DUTY SLOTTED METAL POST (SLOTS AT 1" O.C. TYP.) FIN. NO. (24) BEYOND

1" HIGH METAL TUBE FIN. (24) BY SHELVEING SUPPLIER

METAL P.O.P. FRAME FIN. NO. (24)

RE-INFORCED METAL CHANNEL BY SHELVEING SUPPLIER TO ACCOMMODATE SLATWALL-TYPE HARDWARE AS SHOWN ABOVE

SLATWALL TYPE HARDWARE SECURED TO BACK OF F606

BACK PANEL INSERT TO MATCH FIN. (24) WITHIN METAL CHANNELS MOUNTED TO POSTS IN FIN. NO. (24) SHELVEING SUPPLIER TO ENSURE END CAP PANEL HAS SUFFICIENT BLOCKING WITHIN TO MAINTAIN INTEGRITY OF MASONITE PANEL (i.e. AT CONNECTION TO GONDOLA POST)

METAL TOP CAP FIN. NO. (24) (MINIMUM 14 GAUGE)

METAL CHANNEL FOR SLATWALL TYPE HARDWARE ON BACK OF P.O.P. FRAME.

1" HIGH METAL TUBE FIN. (24) BY SHELVEING SUPPLIER

METAL 'U'-CHANNEL BY METAL SHELVEING SUPPLIER FIN. (24)

2 3/4" x 1 1/2" HEAVY DUTY SLOTTED METAL POST (SLOTS AT 1" O.C. TYP.) FIN. NO. (24)

BACK PANEL INSERT TO MATCH FIN. (15A) WITHIN METAL CHANNELS MOUNTED TO POSTS IN FIN. (24) SHELVEING SUPPLIER TO ENSURE END CAP PANEL HAS SUFFICIENT BLOCKING WITHIN TO MAINTAIN INTEGRITY OF MASONITE PANEL (i.e. AT CONNECTION TO GONDOLA POST)

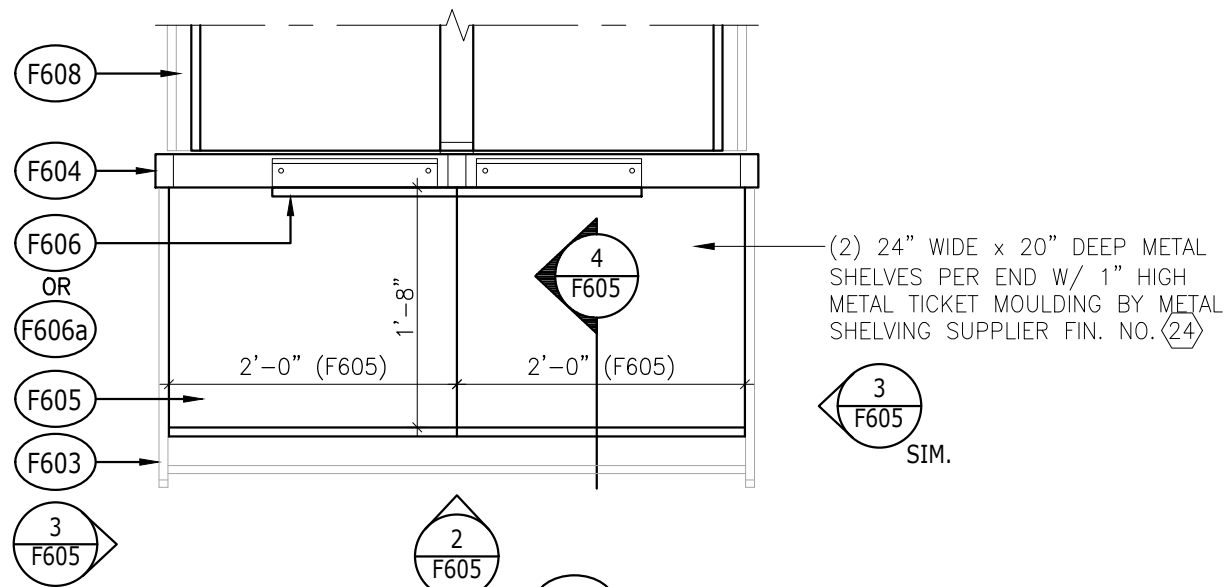
6 1/2" HIGH CONTINUOUS KICK PLATE FIN. NO. (17) (DENOTED BY HATCH PATTERN) TO WRAP AROUND ALL SIDES OF END CAP PANEL. KICK PLATE TO BE ADJUSTABLE TO ACCOUNT FOR INCONSISTENCIES IN FLOOR LEVEL (i.e. SLEEVE DETAIL) METAL SHELVEING SUPPLIER TO SUBMIT DETAIL FOR APPROVAL WITH SHOP DRAWING SUBMISSION

13 3/4" CONTINUOUS SLOT IN TOP CAP FOR BREAKFORM METAL ANGLE

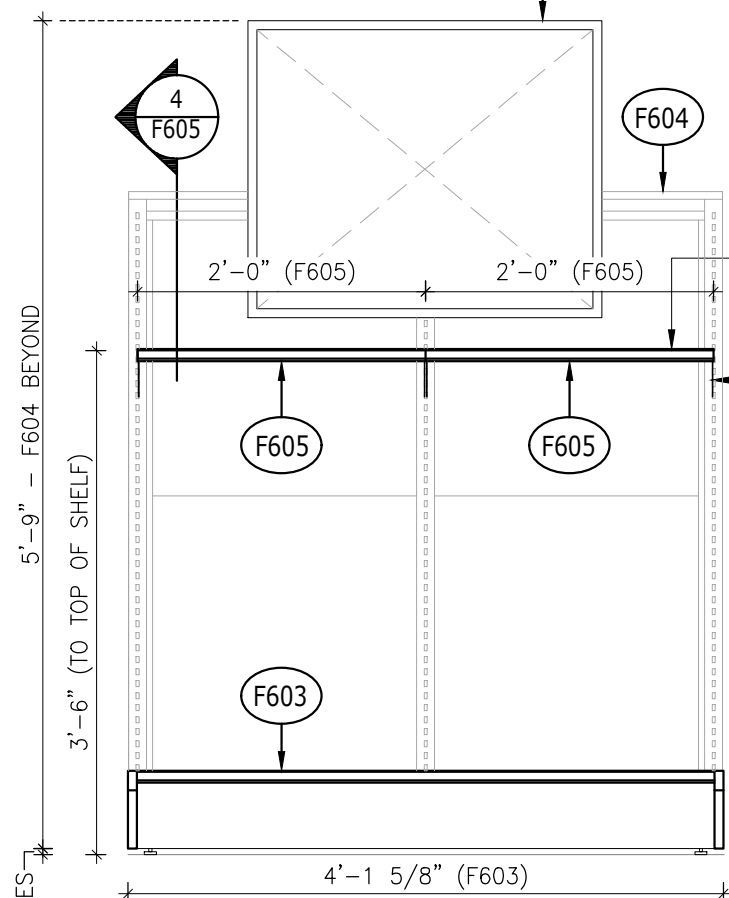
METAL TOP CAP FIN. NO. (24) (MINIMUM 14 GAUGE)

PROVIDE (2) COUNTERSUNK SCREWS FIN. NO. AT EITHER END OF METAL ANGLES TO SECURE TO TOP CAP

LCBO	600 WALK-IN COLDROOM	REVISION DATE	REV.	1 of 1	ISSUE DATE	STORE TYPE	STORE #
	WALK-IN COLDROOM END CAP PANEL	2019 APR	16	F604	2021 APR		



1 PLAN
F605 3/4" = 1'-0"



2 ELEVATION
F605 3/4" = 1'-0"

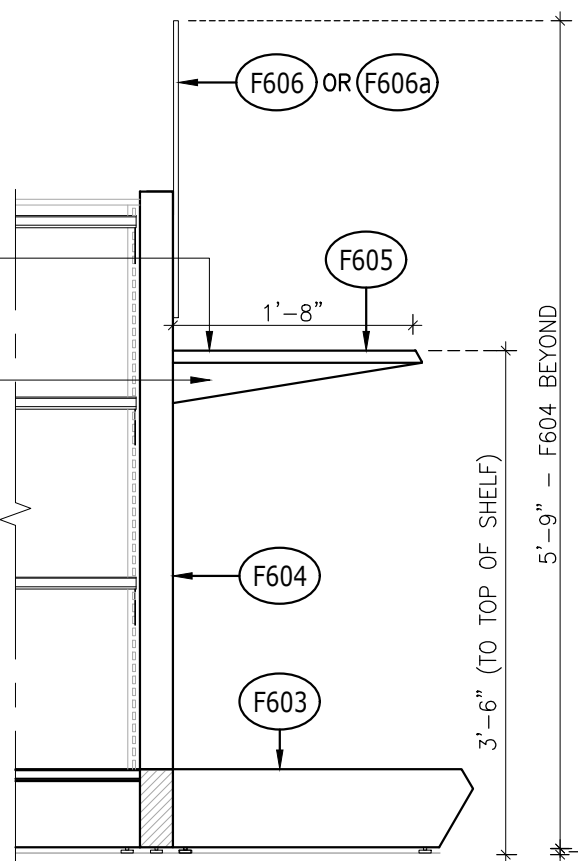
(2) 24" WIDE x 20" DEEP METAL SHELVES PER END W/ 1" HIGH METAL TICKET MOULDING BY METAL SHELVING SUPPLIER FIN. NO. (24)

3 F605 SIM.

NOTE: ALL 1" METAL TICKET HOLDERS TO RECEIVE 1 3/4" PLASTIC TICKET HOLDER INSERT (SUPPLIED & INSTALLED BY METAL SHELVING SUPPLIER) TO SPAN LENGTH OF SHELF SECTION

(2) 24" WIDE x 20" DEEP METAL SHELVES PER END W/ 1" HIGH METAL TICKET MOULDING BY METAL SHELVING SUPPLIER FIN. NO. (24)

HEAVY DUTY METAL BRACKETS FIN. NO. (24)



3 ELEVATION
F605 3/4" = 1'-0"

GENERAL NOTES

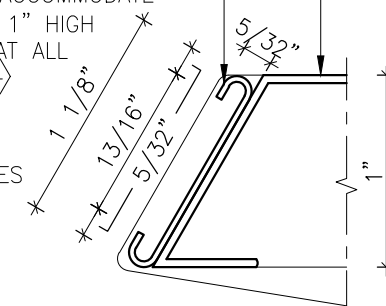
- DIMENSIONS SHOWN REFLECT SHELF & BASE DIMENSIONS ONLY & DO NOT TAKE METAL TICKET HOLDERS INTO ACCOUNT
- SHELVING SUPPLIER TO OBTAIN 1 3/4" PLASTIC TICKET HOLDER SAMPLE FROM LCBO PRIOR TO FABRICATION TO ENSURE PROPER FIT WITHIN TICKET MOULDING. SUBMIT SAMPLE FOR APPROVAL
- PERFORATIONS IN SHELVES ARE NOT ACCEPTABLE

NOTE: ALL 1" METAL TICKET HOLDERS TO RECEIVE 1 3/4" PLASTIC TICKET HOLDER INSERT (SUPPLIED & INSTALLED BY METAL SHELVING SUPPLIER) TO SPAN LENGTH OF SHELF SECTION

HEAVY DUTY METAL SHELF C/W ANGLED METAL TICKET HOLDERS ON H.D. METAL BRACKETS ALL IN FIN. NO. (24)

ANGLED METAL TICKET HOLDERS (20 GAUGE) TO ACCOMMODATE STANDARD LCBO 1" HIGH PAPER TICKETS AT ALL SHELVES FIN. (24)

NOTE: NO VISIBLE HOLES IN FRONT OF TICKET HOLDER

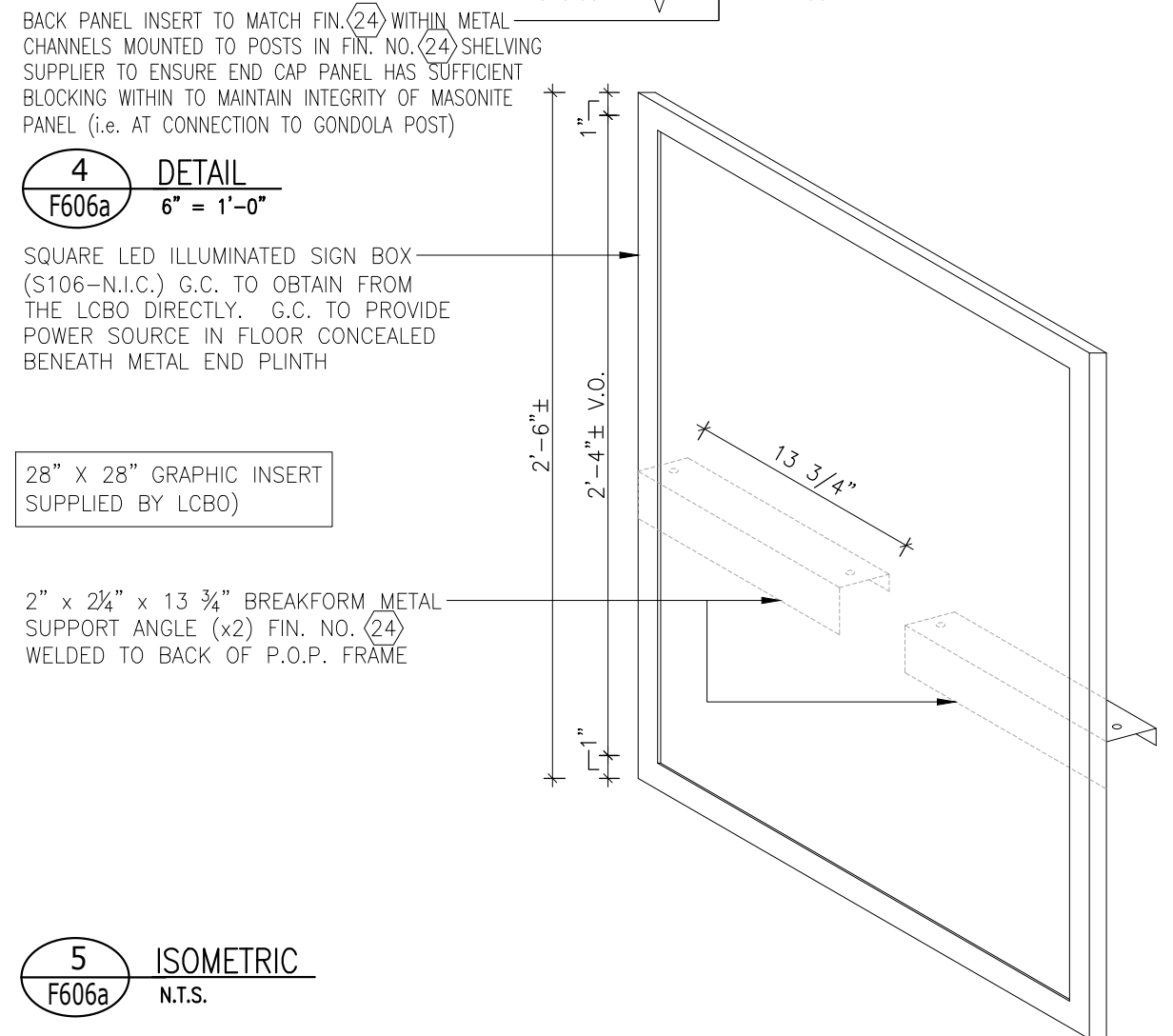
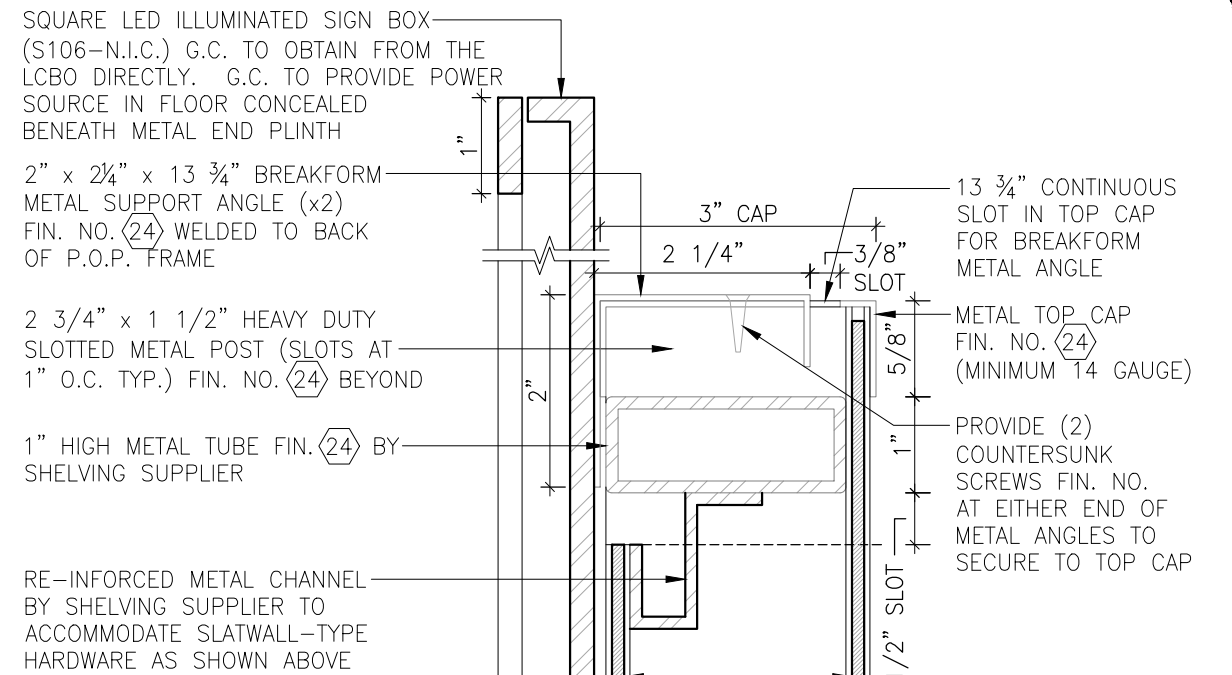
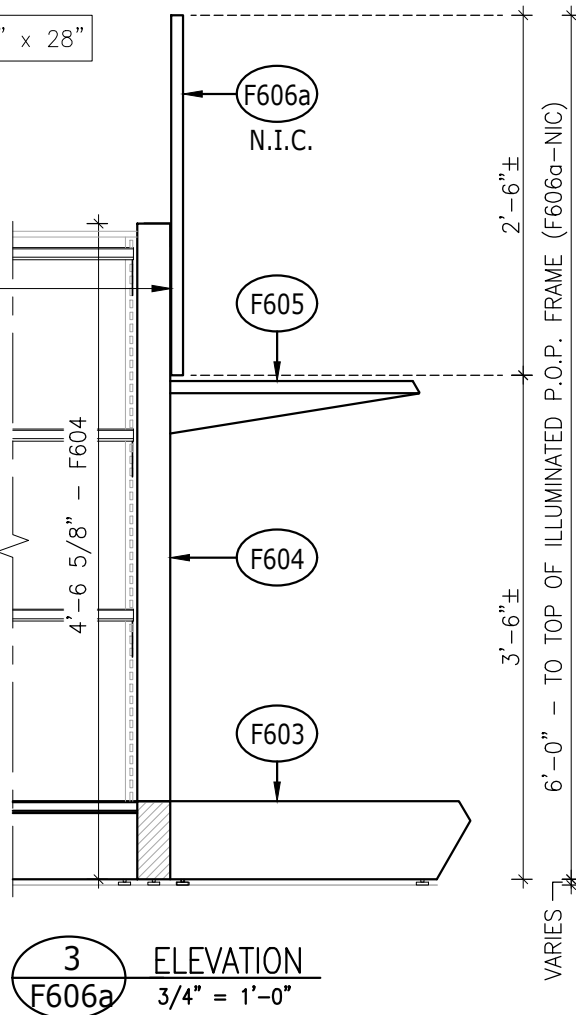
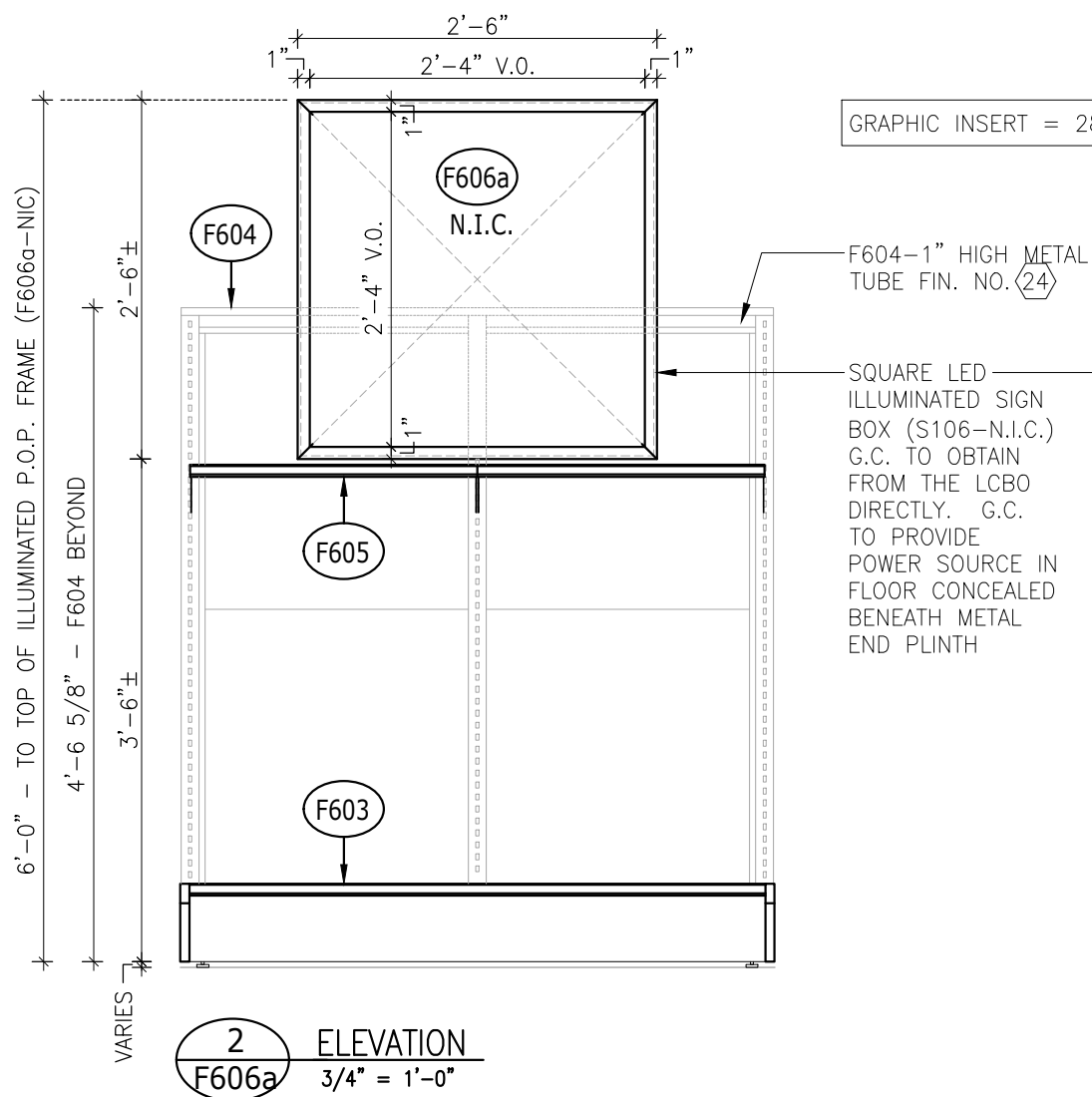
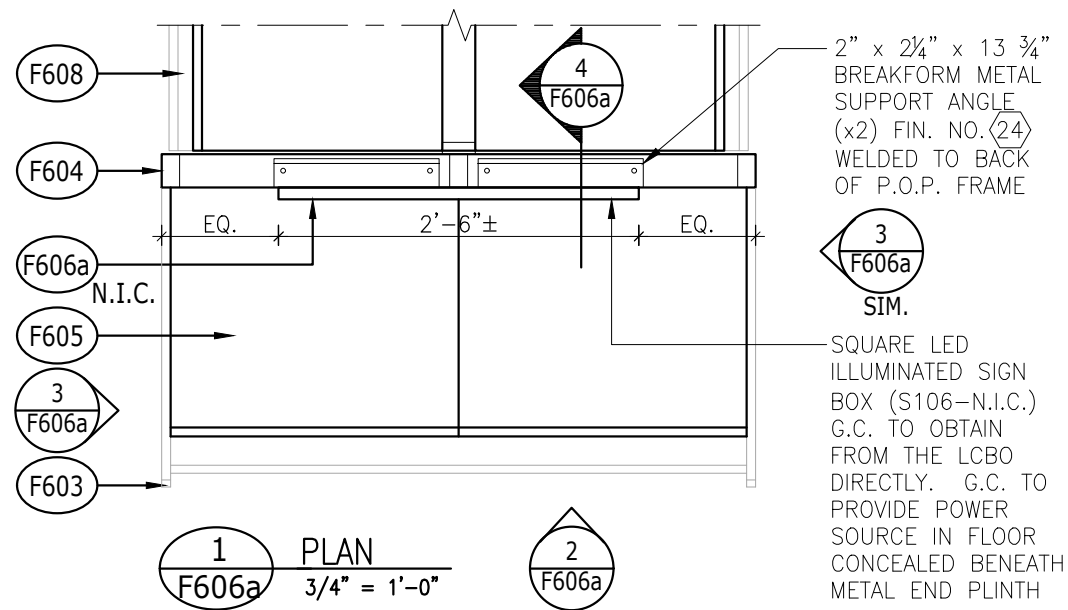


4 ANGLED METAL TICKET HOLDER DETAIL
F605 FULL SCALE

LCBO

600 WALK-IN COLDROOM
WALK-IN COLDROOM 24" END DISPLAY SHELVES

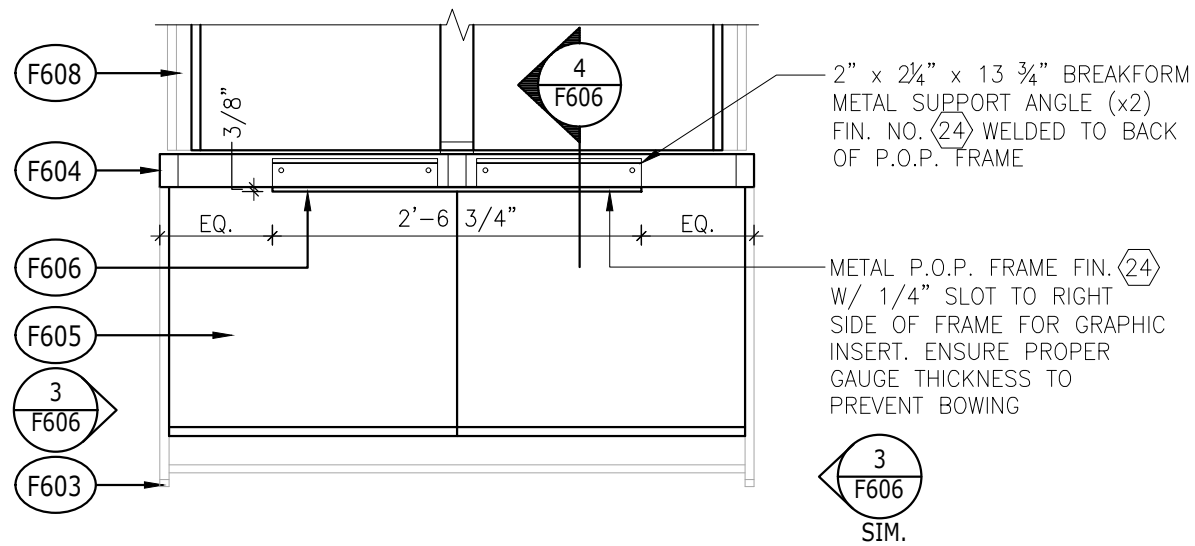
REVISION DATE	REV.	1 of 1	ISSUE DATE	STORE TYPE	STORE #
2021 MAR	17	F605	2021 APR		



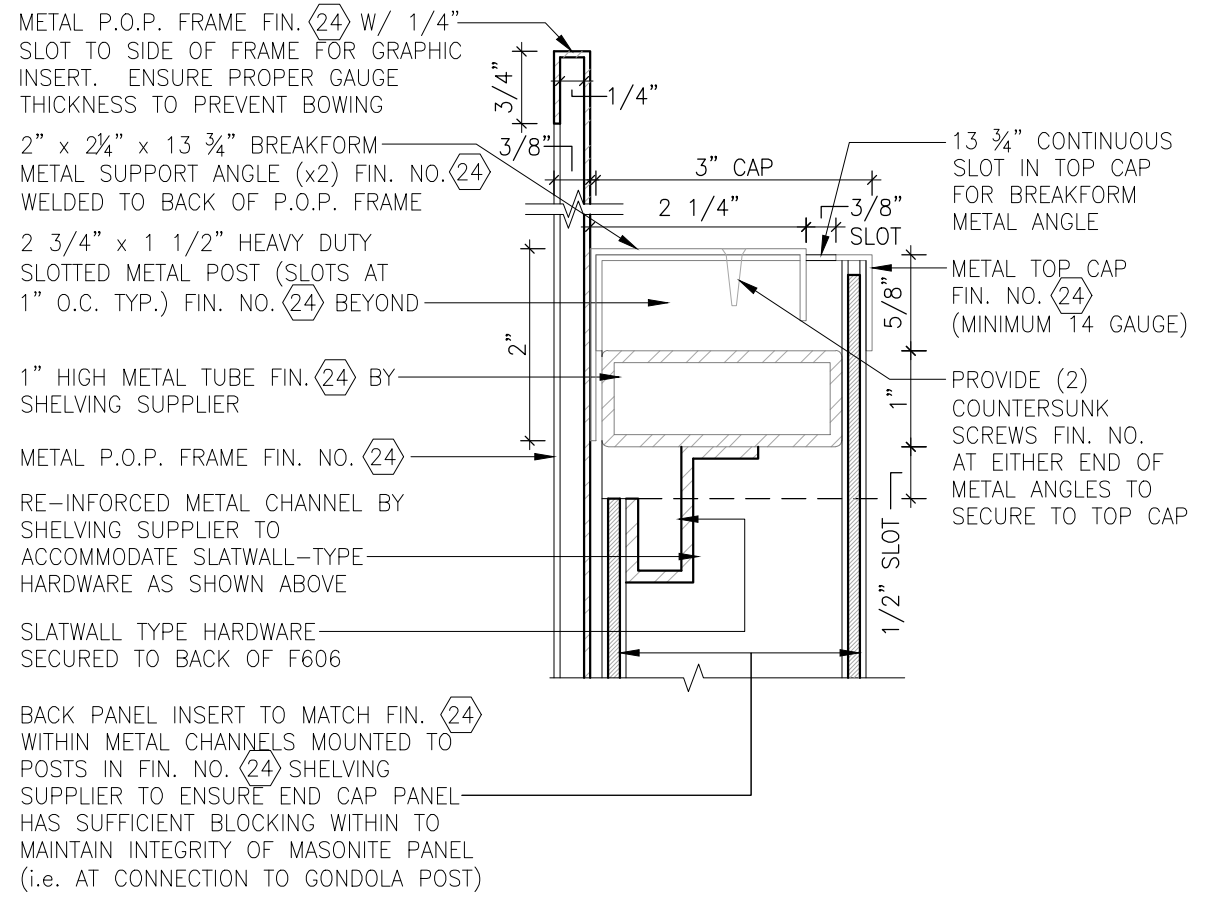
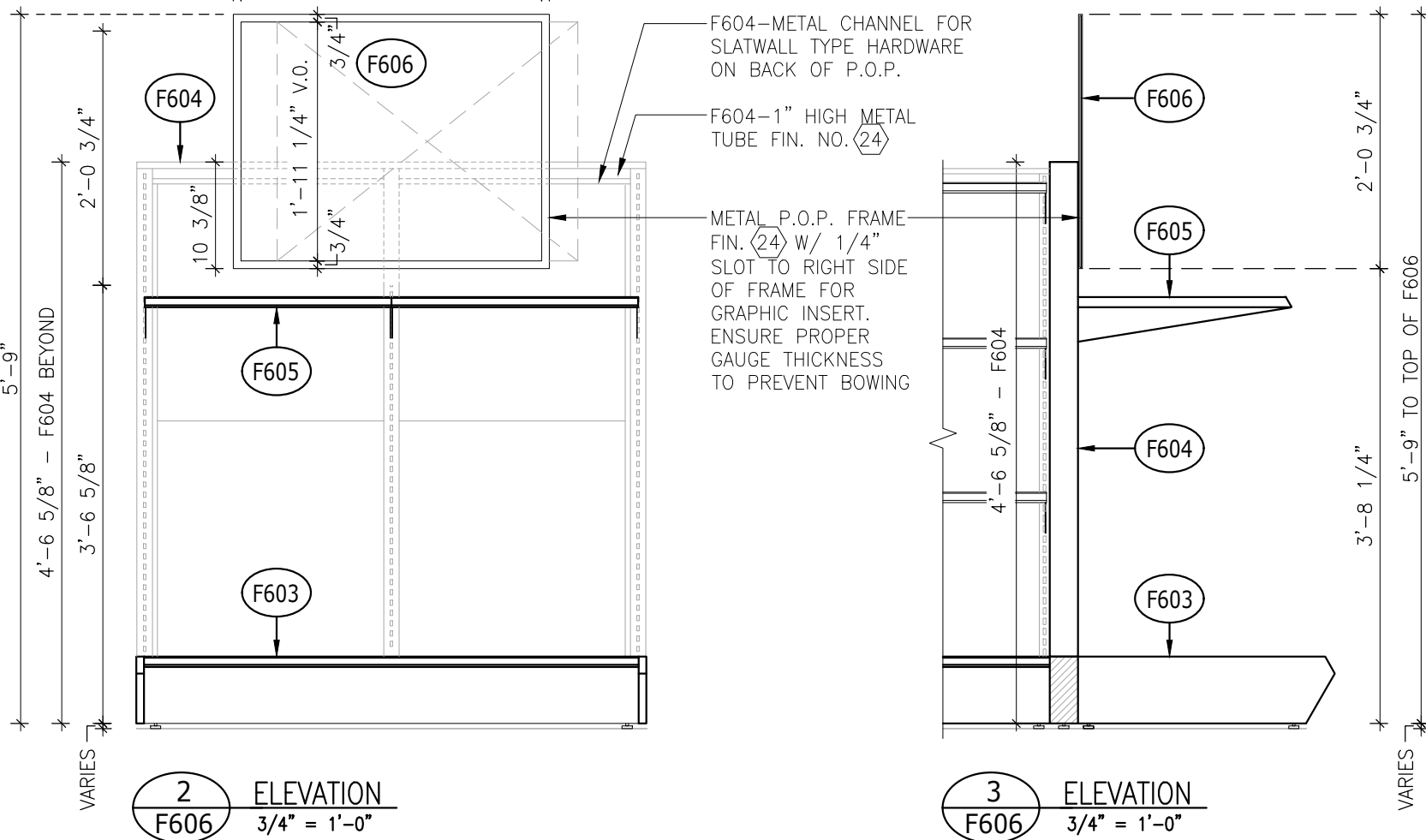
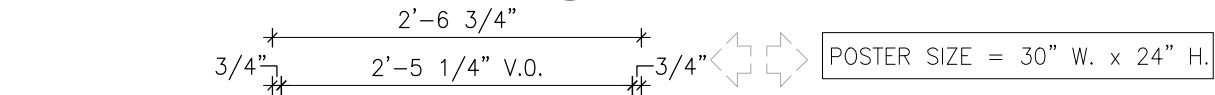
LCBO

600 WALK-IN COLDROOM
WALK-IN COLDROOM GONDOLA END W/ ILLUMINATED P.O.P. FRAME

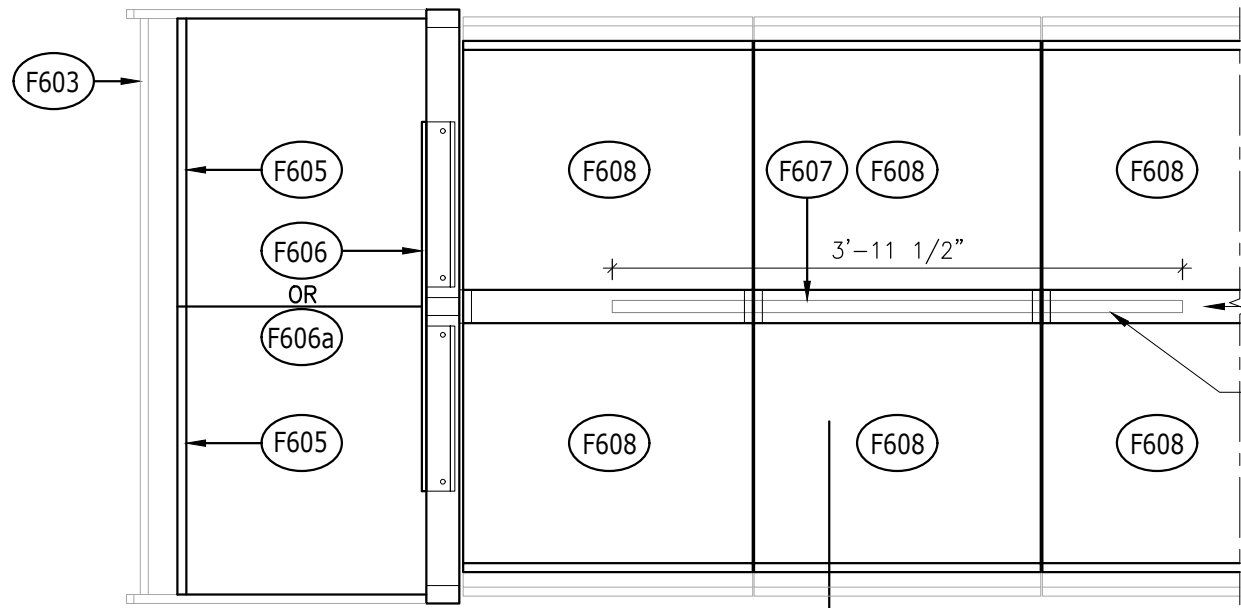
REVISION DATE	REV.	1 of 1	ISSUE DATE	STORE TYPE	STORE #
2019 APR	16	F606a	2021 APR		



1 PLAN
F606 3/4" = 1'-0"



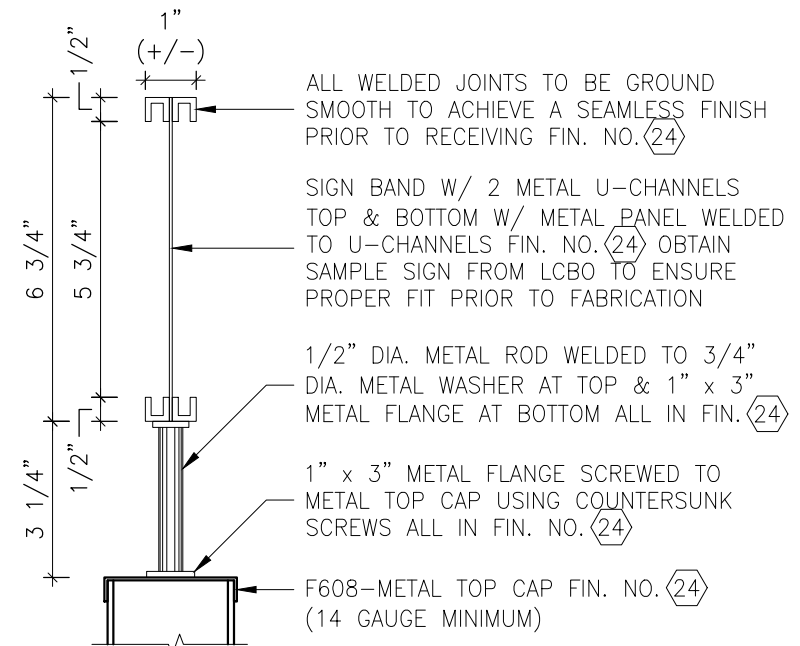
LCBO	600 WALK-IN COLDROOM	REVISION DATE	REV.	1 of 1	ISSUE DATE	STORE TYPE	STORE #
	WALK-IN COLDROOM GONDOLA REMOVABLE P.O.P. FRAME	2017 NOV	15	F606	2021 APR		



1 PLAN
F607 3/4" = 1'-0"

F608-METAL TOP CAP FIN. NO. (24)
(14 GAUGE MINIMUM)

METAL GONDOLA CATEGORY SIGN ON TWO (2) 1/2" DIAMETER METAL RODS, EACH WELDED TO 1" x 3" METAL FLANGE SCREWED TO METAL TOP CAP USING COUNTERSUNK SCREWS ALL IN FIN. NO. (24)



4 SECTION
F607 3" = 1'-0"

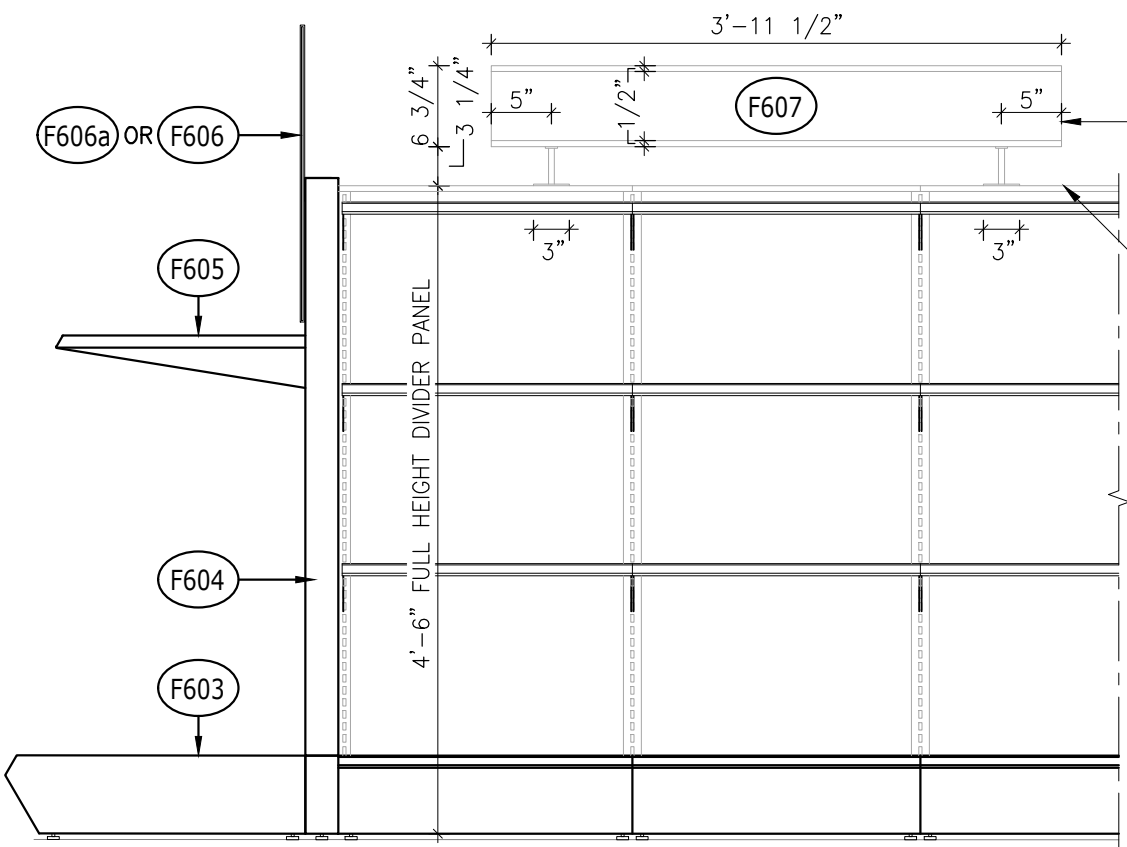
ALL WELDED JOINTS TO BE GROUND SMOOTH TO ACHIEVE A SEAMLESS FINISH PRIOR TO RECEIVING FIN. NO. (24)

SIGN BAND W/ 2 METAL U-CHANNELS TOP & BOTTOM W/ METAL PANEL WELDED TO U-CHANNELS FIN. NO. (24) OBTAIN SAMPLE SIGN FROM LCBO TO ENSURE PROPER FIT PRIOR TO FABRICATION

1/2" DIA. METAL ROD WELDED TO 3/4" DIA. METAL WASHER AT TOP & 1" x 3" METAL FLANGE AT BOTTOM ALL IN FIN. (24)

1" x 3" METAL FLANGE SCREWED TO METAL TOP CAP USING COUNTERSUNK SCREWS ALL IN FIN. NO. (24)

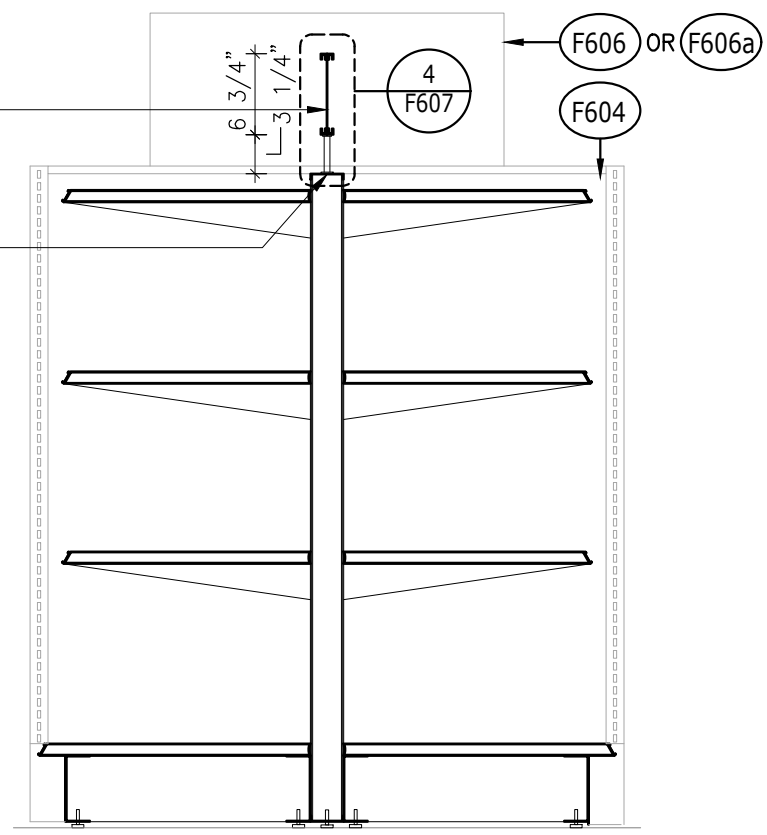
F608-METAL TOP CAP FIN. NO. (24)
(14 GAUGE MINIMUM)



2 ELEVATION
F607 3/4" = 1'-0"

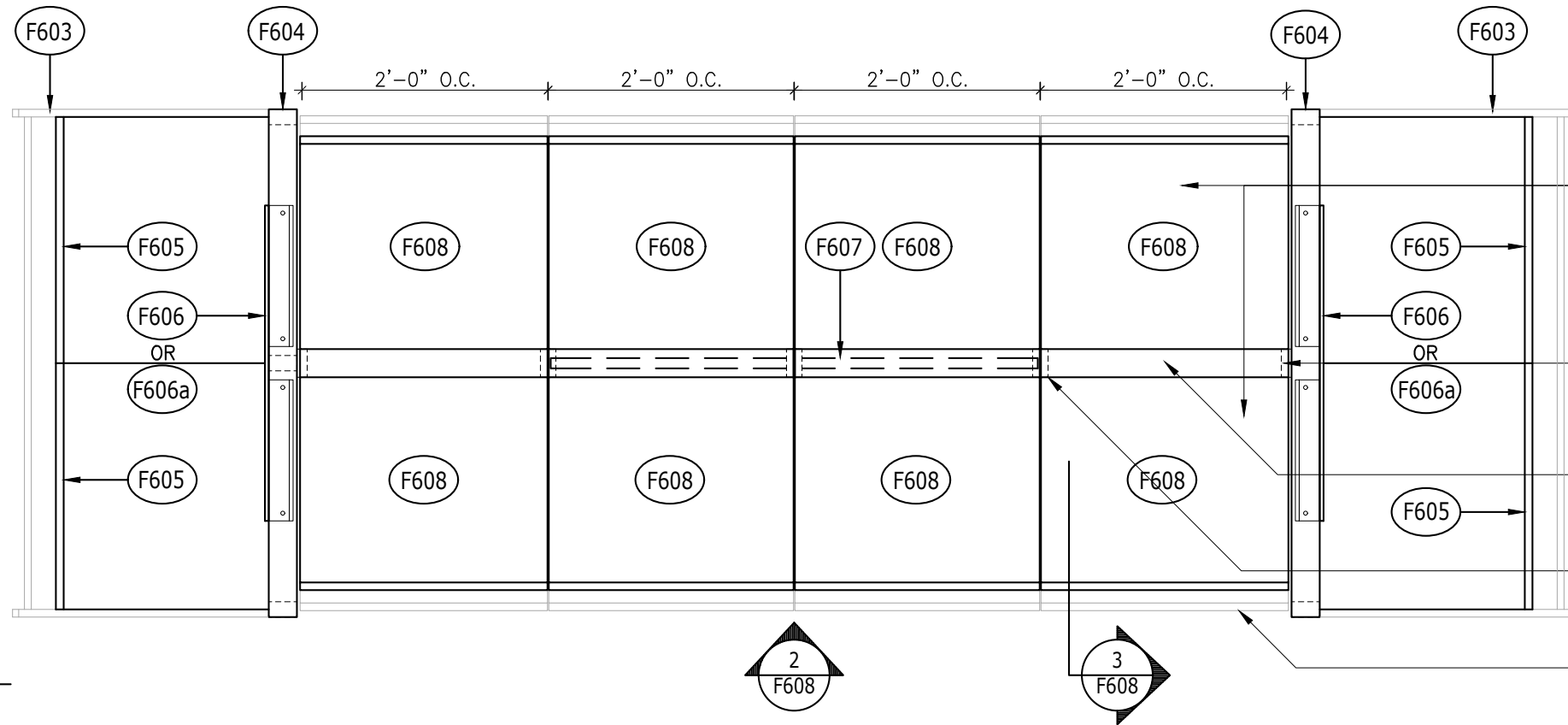
METAL GONDOLA CATEGORY SIGN ON TWO (2) 1/2" DIAMETER METAL RODS, EACH WELDED TO 1" x 3" METAL FLANGE SCREWED TO METAL TOP CAP USING COUNTERSUNK SCREWS ALL IN FIN. NO. (24)

F608-METAL TOP CAP FIN. NO. (24)
(14 GAUGE MINIMUM)



3 SECTION
F607 3/4" = 1'-0"

LCBO	600 WALK-IN COLDROOM	REVISION DATE	REV.	1 of 1	ISSUE DATE	STORE TYPE	STORE #
	WALK-IN COLDROOM GONDOLA CATEGORY SIGN	2019 APR	16	F607	2021 APR		



1 PLAN
F608 3/4" = 1'-0"

HEAVY DUTY METAL SHELVING C/W ANGLED METAL TICKET HOLDERS TO ACCOMODATE STANDARD LCBO 1" HIGH PAPER TICKETS AT ALL SHELVES (SEE DETAIL 4, F608) ON H.D. METAL BRACKETS ALL IN FIN. (24)

ALL END POSTS TO BE MODIFIED AS REQUIRED TO ENSURE THAT THERE ARE NO GAPS BETWEEN METAL SHELVES AND END GABLES (FILLER STRIPS ARE NOT ACCEPTABLE)

METAL TOP CAP FIN. NO. (24) (14 GAUGE MINIMUM)

2 3/4" x 1 1/2" x 52 5/8" HIGH HEAVY DUTY SLOTTED METAL POST (SLOTS AT 1" O.C. TYP.) FIN. NO. (24)

ANGLED METAL TICKET HOLDER BY SHELVING CONTRACTOR TO ACCOMODATE STANDARD LCBO 1" PAPER TICKETS AT BASE (SEE DETAIL 4, F608)

METAL TOP CAP FIN. (24) (14 GAUGE MIN.)

2 3/4" x 1 1/2" x 54" HIGH HEAVY DUTY SLOTTED METAL POST (SLOTS AT 1" O.C. TYP.) COMPLETE WITH 2 3/4" FULL HEIGHT METAL DIVIDER PANEL BETWEEN POSTS ALL IN FIN. NO. (24)

FULL HEIGHT DIVIDER PANEL BETWEEN POSTS IN FIN. NO. (15A)

HEAVY DUTY METAL SHELVING C/W ANGLED METAL TICKET HOLDERS TO ACCOMODATE STANDARD LCBO 1" HIGH PAPER TICKETS AT ALL SHELVES (SEE DETAIL 4, F608) ON H.D. METAL BRACKETS ALL IN FIN. (24)

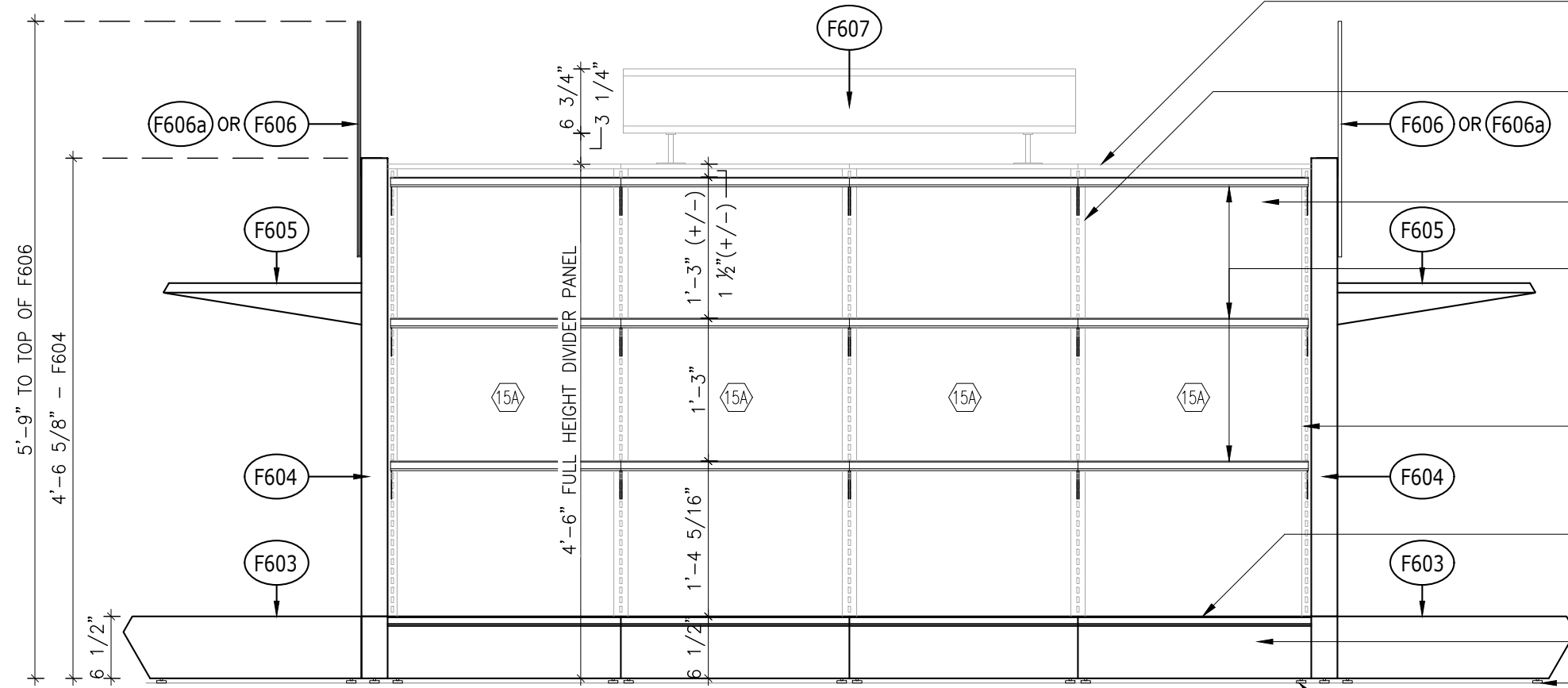
ALL END POSTS TO BE MODIFIED AS REQ'D. TO ENSURE THAT THERE ARE NO GAPS BETWEEN METAL SHELVES AND END GABLES (FILLER STRIPS ARE NOT ACCEPTABLE)

ANGLED METAL TICKET HOLDER BY SHELVING CONTRACTOR TO ACCOMODATE STANDARD LCBO 1" PAPER TICKETS AT BASE (SEE DETAIL 4, F608)

RECESSED METAL BASE FIN. (17)

FINISHED FLOOR LEVEL

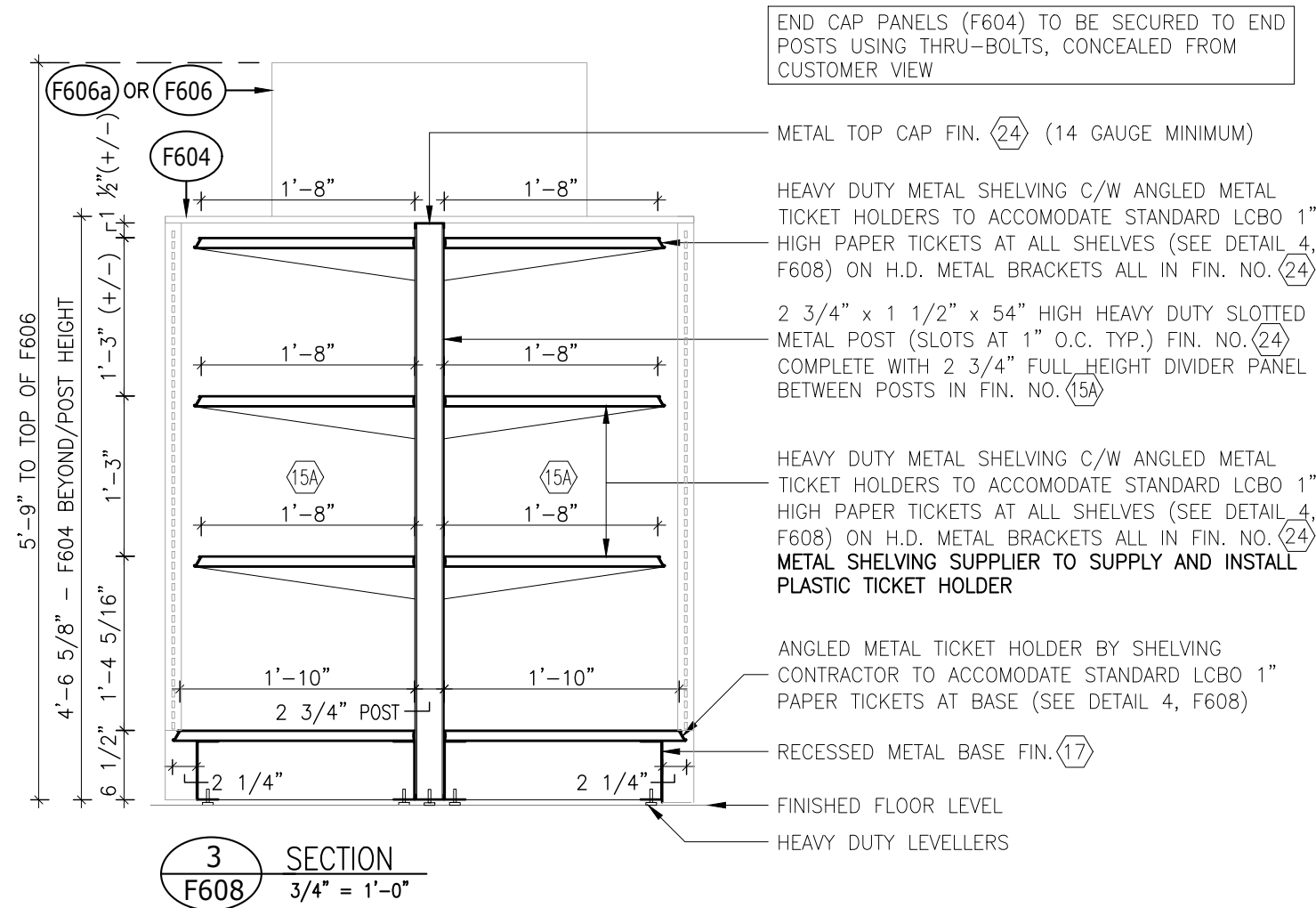
HEAVY DUTY LEVELLERS



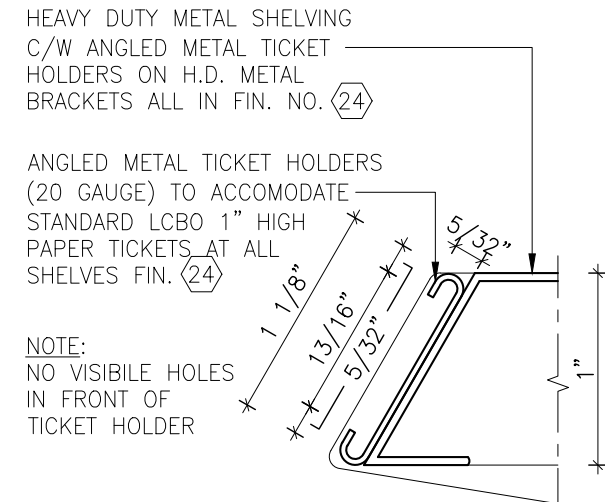
2 ELEVATION
F608 3/4" = 1'-0"

NOTE:
ALL 1" METAL TICKET HOLDERS TO RECEIVE 1 3/4" PLASTIC TICKET HOLDER INSERT (SUPPLIED & INSTALLED BY METAL SHELVING SUPPLIER) TO SPAN LENGTH OF SHELF SECTION

LCBO	600 WALK-IN COLDROOM	REVISION DATE	REV.	1 of 2	ISSUE DATE	STORE TYPE	STORE #
	2'-0" CONVERTIBLE GONDOLA (4 SHELVES) C/W METAL TICKET MOULDINGS	2021 MAR.	17	F608	2021 APR		

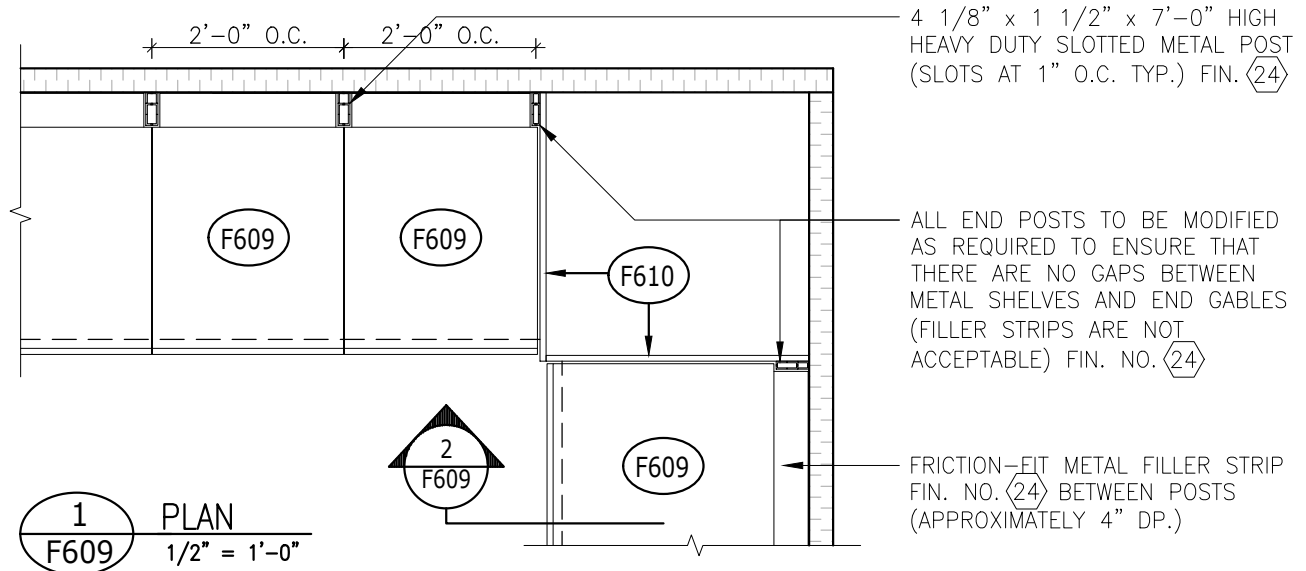


NOTE:
ALL 1" METAL TICKET HOLDERS TO RECEIVE 1 3/4" PLASTIC TICKET HOLDER INSERT (SUPPLIED & INSTALLED BY METAL SHELVING SUPPLIER) TO SPAN LENGTH OF SHELF SECTION



- GENERAL NOTES
- DIMENSIONS SHOWN REFLECT SHELF & BASE DIMENSIONS ONLY & DO NOT TAKE METAL TICKET HOLDERS INTO ACCOUNT
 - ALL ADJUSTMENTS TO COMPENSATE FOR NON-LEVEL FLOOR SURFACES TO BE MADE AT BOTTOM END OF POST
 - GC TO CO-ORDINATE MILLWORK + METAL SHELF INSTALLATION
 - END CAP PANELS (F604) TO BE SECURED TO END POSTS USING THRU-BOLTS, CONCEALED FROM CUSTOMER VIEW
 - SHELVING SUPPLIER TO OBTAIN 1" HIGH PAPER TICKET SAMPLE FROM LCBO PRIOR TO FABRICATION TO ENSURE PROPER FIT WITHIN TICKET MOULDING. SUBMIT SAMPLE FOR APPROVAL
 - GC TO ENSURE ALL SHELVES ARE IN EXACT ALIGNMENT AND ARE TRUE & LEVEL. PERFORATED SHELVES ARE ACCEPTABLE.
 - ALL END POSTS TO BE MODIFIED AS REQUIRED TO ENSURE THAT THERE ARE NO GAPS BETWEEN METAL SHELVES AND END GABLES (FILLER STRIPS ARE NOT ACCEPTABLE)
 - INSERT PANEL OF FULL HEIGHT BACK PANEL TO BE METAL OR ANTIBACTERIAL/WATER-RESISTANT MASONITE (FIBREX OR APPROVED EQUAL) TO MATCH FIN. NO. 15A

LCBO	600 WALK-IN COLDROOM	REVISION DATE	REV.	2 of 2	ISSUE DATE	STORE TYPE	STORE #
	2'-0" CONVERTIBLE GONDOLA (4 SHELVES) C/W METAL TICKET MOULDINGS	2019 APR	16	F608	2021 APR		

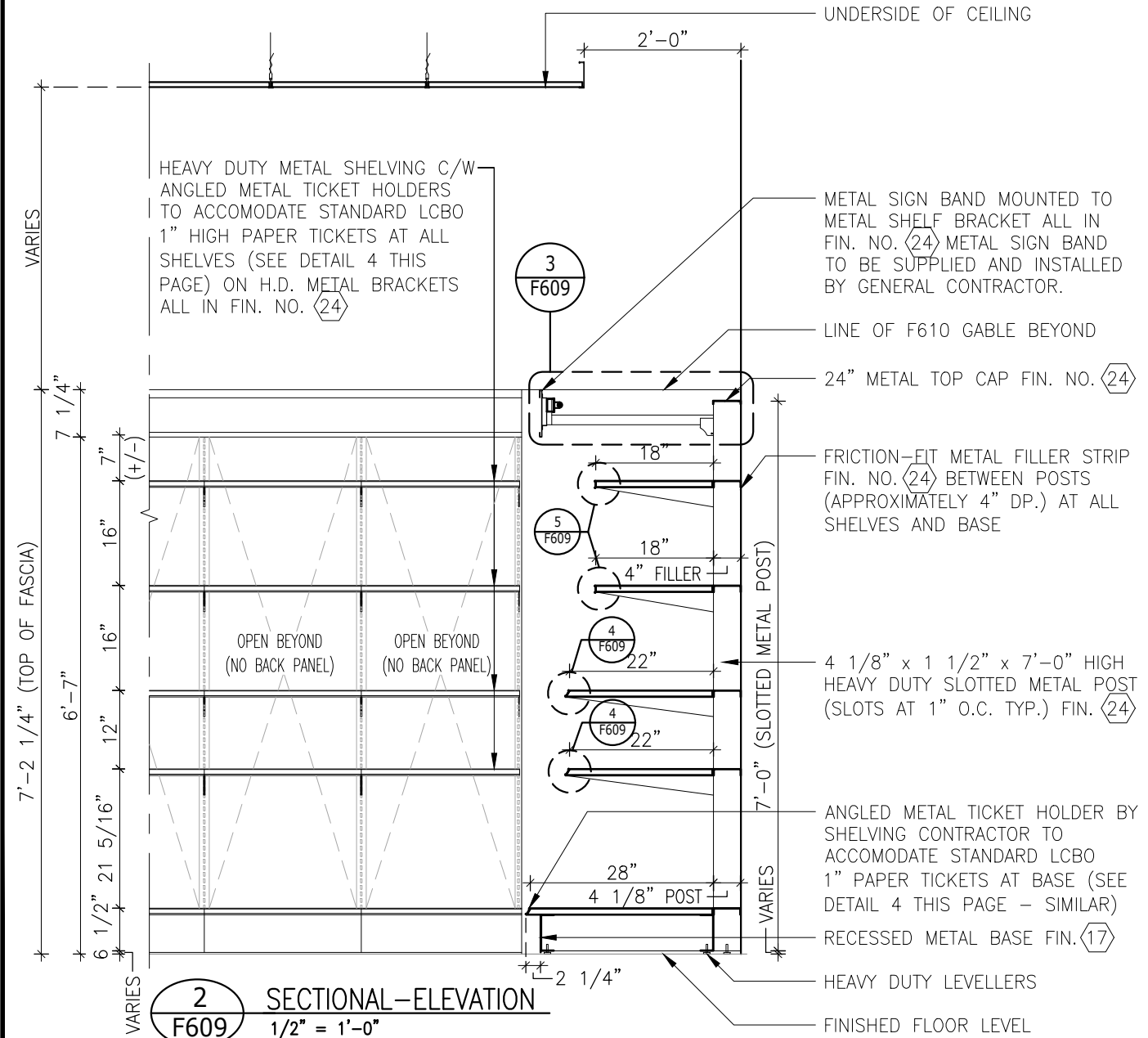


1 PLAN
F609 1/2" = 1'-0"

4 1/8" x 1 1/2" x 7'-0" HIGH HEAVY DUTY SLOTTED METAL POST (SLOTS AT 1" O.C. TYP.) FIN. (24)

ALL END POSTS TO BE MODIFIED AS REQUIRED TO ENSURE THAT THERE ARE NO GAPS BETWEEN METAL SHELVES AND END GABLES (FILLER STRIPS ARE NOT ACCEPTABLE) FIN. NO. (24)

FRICION-FIT METAL FILLER STRIP FIN. NO. (24) BETWEEN POSTS (APPROXIMATELY 4" DP.)



2 SECTIONAL-ELEVATION
F609 1/2" = 1'-0"

UNDERSIDE OF CEILING

HEAVY DUTY METAL SHELVING C/W ANGLED METAL TICKET HOLDERS TO ACCOMODATE STANDARD LCBO 1" HIGH PAPER TICKETS AT ALL SHELVES (SEE DETAIL 4 THIS PAGE) ON H.D. METAL BRACKETS ALL IN FIN. NO. (24)

METAL SIGN BAND MOUNTED TO METAL SHELF BRACKET ALL IN FIN. NO. (24) METAL SIGN BAND TO BE SUPPLIED AND INSTALLED BY GENERAL CONTRACTOR.

LINE OF F610 GABLE BEYOND

24" METAL TOP CAP FIN. NO. (24)

FRICION-FIT METAL FILLER STRIP FIN. NO. (24) BETWEEN POSTS (APPROXIMATELY 4" DP.) AT ALL SHELVES AND BASE

4 1/8" x 1 1/2" x 7'-0" HIGH HEAVY DUTY SLOTTED METAL POST (SLOTS AT 1" O.C. TYP.) FIN. (24)

7'-0" (SLOTTED METAL POST)

ANGLED METAL TICKET HOLDER BY SHELVING CONTRACTOR TO ACCOMODATE STANDARD LCBO 1" PAPER TICKETS AT BASE (SEE DETAIL 4 THIS PAGE - SIMILAR)

RECESSED METAL BASE FIN. (17)

HEAVY DUTY LEVELLERS

FINISHED FLOOR LEVEL

NOTE:
GC TO ENSURE THAT METAL SIGN BAND IS TRUE AND LEVEL AND CONSTRUCTED IN MINIMUM 8'-0" LENGTHS EXCEPT AT END RUNS AS REQUIRED

LINE OF F610 GABLE BEYOND

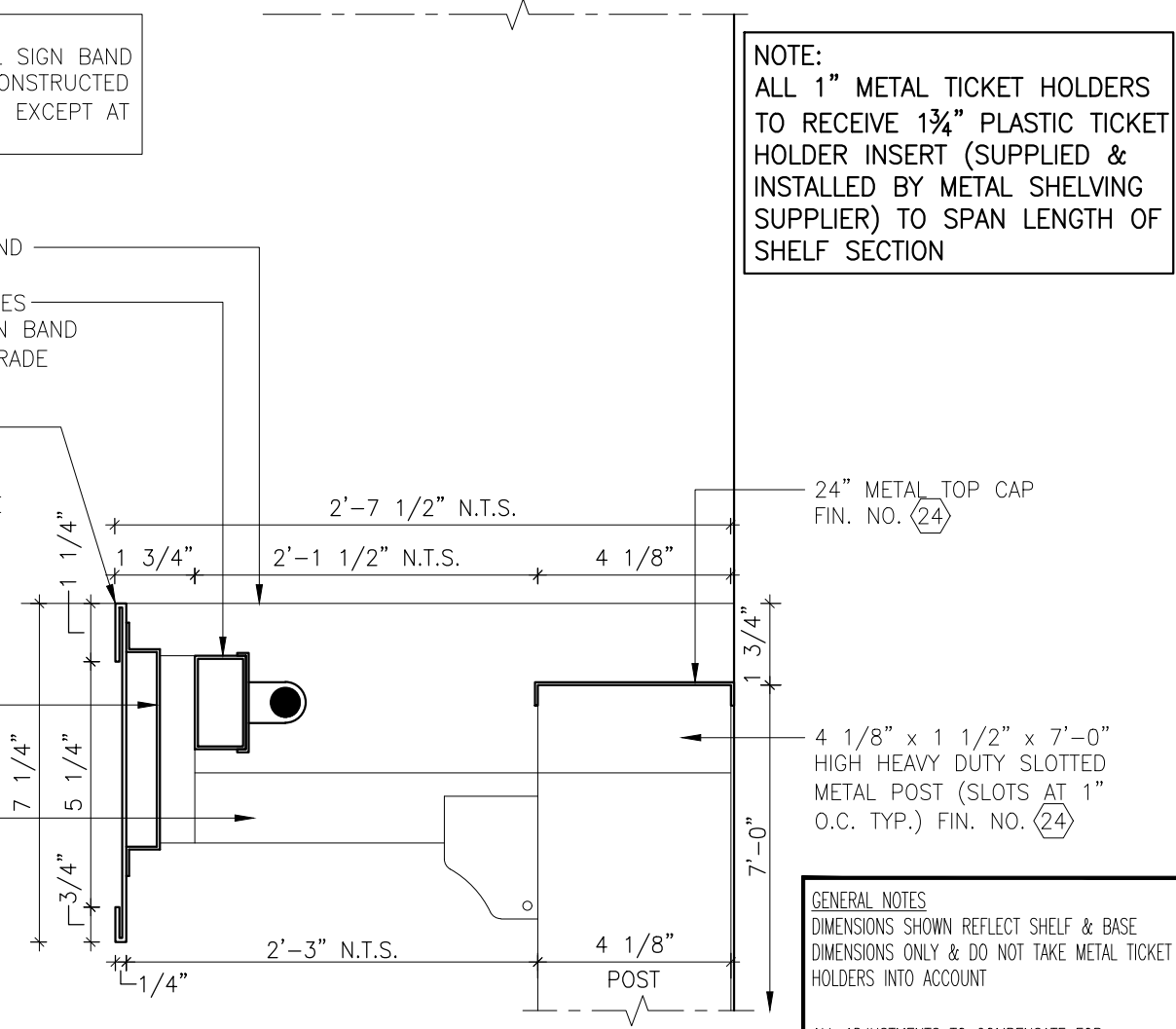
FLUORESCENT LIGHT FIXTURES MOUNTED TO BACK OF SIGN BAND BY G.C'S ELECTRICAL SUBTRADE

7 1/4" HIGH BREAK-FORM METAL SIGN BAND FIN. (24) SUPPLIED BY SHELVING SUPPLIER TO ACCOMODATE 6 3/8" HIGH SIGN CARD, MOUNTED TO METAL BRACKET BY METAL SHELVING SUPPLIER ALSO IN FIN. NO. (24)

3/4" x 3/4" x 4" HIGH METAL ANGLE WELDED TO BRACKET FIN. NO. (24)

1 1/2" x 1/2" 18 GAUGE METAL TUBE FIN. NO. (24) BY SHELVING SUPPLIER

3 DETAIL
F609 3" = 1'-0"



NOTE:
ALL 1" METAL TICKET HOLDERS TO RECEIVE 1 3/4" PLASTIC TICKET HOLDER INSERT (SUPPLIED & INSTALLED BY METAL SHELVING SUPPLIER) TO SPAN LENGTH OF SHELF SECTION

GENERAL NOTES
DIMENSIONS SHOWN REFLECT SHELF & BASE DIMENSIONS ONLY & DO NOT TAKE METAL TICKET HOLDERS INTO ACCOUNT

ALL ADJUSTMENTS TO COMPENSATE FOR NON-LEVEL FLOOR SURFACES TO BE MADE AT BOTTOM END OF POST

GC TO CO-ORDINATE INSTALLATION

T5 FLUORESCENT LIGHT FIXTURES TO BE SUPPLIED & INSTALLED BY G.C.

GC TO OBTAIN SIGNAGE SAMPLE FROM LCBO PRIOR TO FABRICATION TO ENSURE PROPER FIT OF SIGNAGE INSERT

SHELVING SUPPLIER TO OBTAIN 1" HIGH PAPER TICKET SAMPLE FROM LCBO PRIOR TO FABRICATION TO ENSURE PROPER FIT WITHIN TICKET MOULDING. SUBMIT SAMPLE FOR APPROVAL

GC TO ENSURE ALL SHELVES ARE IN EXACT ALIGNMENT AND ARE TRUE & LEVEL. PERFORATED SHELVES ARE ACCEPTABLE. SHELVES TO SUPPORT LOAD CAPACITY OF 500LBS

ALL END POSTS TO BE MODIFIED AS REQUIRED TO ENSURE THAT THERE ARE NO GAPS BETWEEN METAL SHELVES AND END GABLES (FILLER STRIPS ARE NOT ACCEPTABLE)

HEAVY DUTY METAL SHELVING C/W ANGLED METAL TICKET HOLDERS ON H.D. METAL BRACKETS ALL IN FIN. NO. (24)

HEAVY DUTY METAL SHELVING C/W STRAIGHT METAL TICKET HOLDERS ON H.D. METAL BRACKETS ALL IN FIN. NO. (24)

ANGLED METAL TICKET HOLDERS (20 GAUGE) TO ACCOMODATE STANDARD LCBO 1" HIGH PAPER TICKETS AT ALL SHELVES FIN.

ANGLED METAL TICKET HOLDERS (20 GAUGE) TO ACCOMODATE STANDARD LCBO 1" HIGH PAPER TICKETS AT ALL SHELVES FIN.

METAL SHELVING SUPPLIER TO SUPPLY & INSTALL PLASTIC TICKET HOLDER

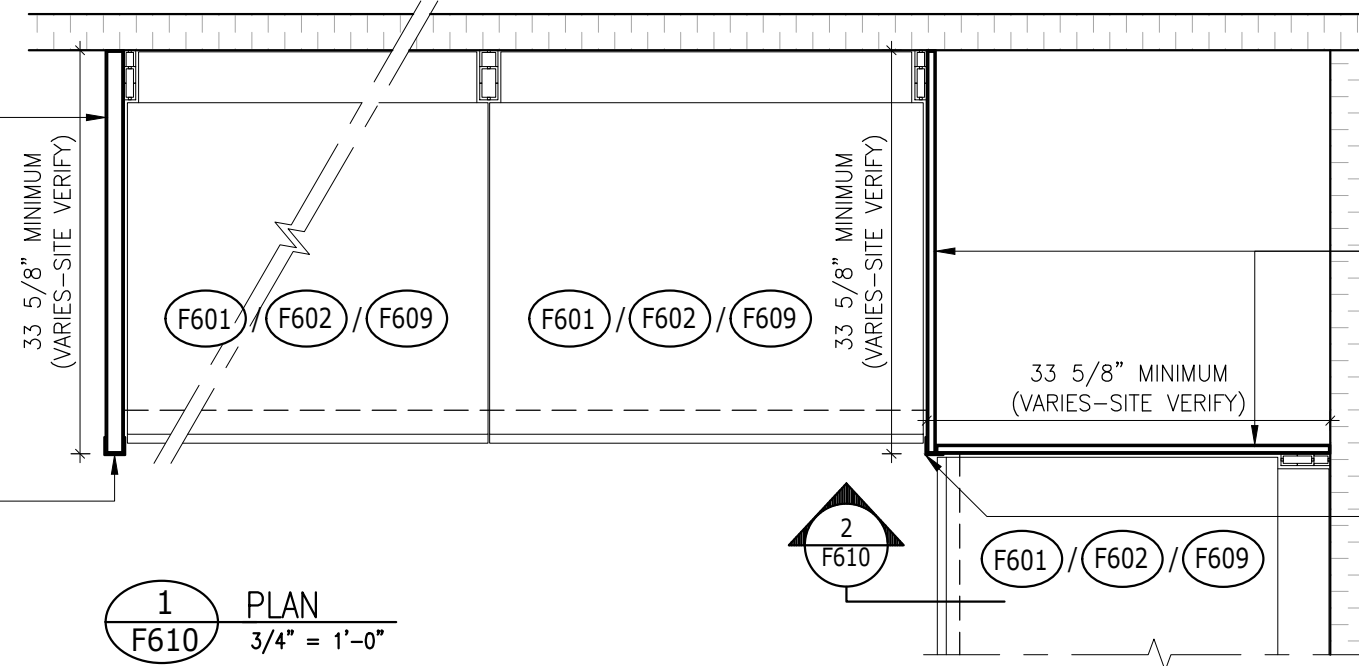
NOTE: NO VISIBLE HOLES IN FRONT OF TICKET HOLDER

4 ANGLED METAL TICKET HOLDER DETAIL
F609 FULL SCALE

5 STRAIGHT METAL TICKET HOLDER DETAIL
F609 FULL SCALE

LCBO	600 WALK-IN COLDROOM	REVISION DATE	REV.	1 of 1	ISSUE DATE	STORE TYPE	STORE #
	2'-0" WALK-IN COLDROOM PERIMETER METAL SHELVING UNIT	2021 MAR.	17	F609	2021 APR		

1 1/2" THK. METAL END GABLE PT. FIN. NO. (24) BY SHELVING SUPPLIER C/W 1 1/2"x1 1/2"x1 1/2"x36" H. 'U'-SHAPED METAL CORNER GUARD IN FIN. NO. (55) ALSO BY METAL SHELVING SUPPLIER



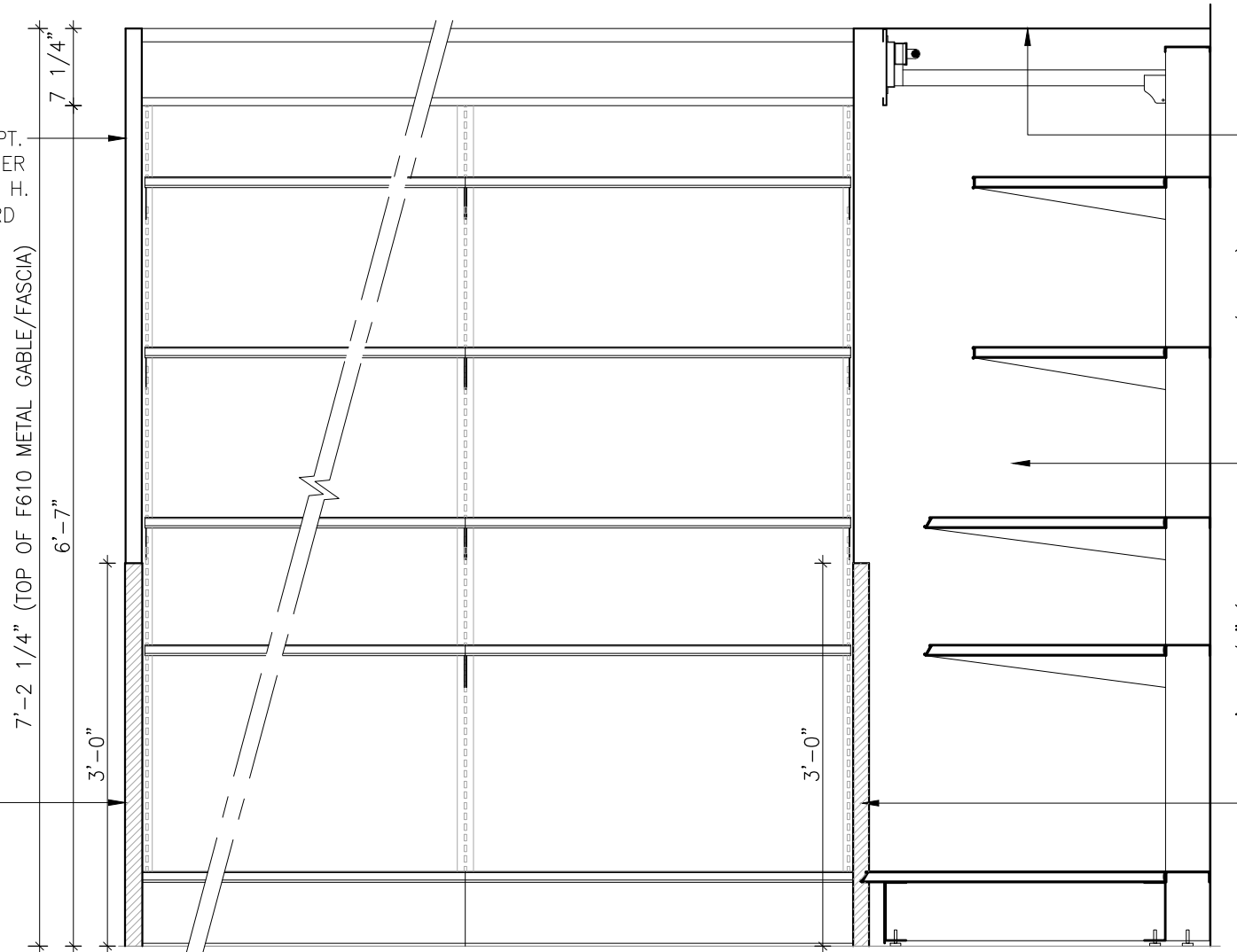
3/4" THK. METAL END GABLE (90° CORNER) PT. FIN. NO. (24) BY SHELVING SUPPLIER C/W 1 1/2" x 1 1/2" x 36" HIGH METAL CORNER GUARD IN FIN. NO. (55) ALSO BY METAL SHELVING SUPPLIER

1 1/2"x1 1/2"x1 1/2"x36" H. 'U'-SHAPED METAL CORNER GUARD IN FIN. NO. (55) ALSO BY METAL SHELVING SUPPLIER (SILICONED IN PLACE)

1 1/2" x 1 1/2" x 36" HIGH METAL CORNER GUARD IN FIN. NO. (55) BY METAL SHELVING SUPPLIER, (SILICONED IN PLACE)

1 PLAN
F610 3/4" = 1'-0"

1 1/2" THK. METAL END GABLE PT. FIN. NO. (24) BY SHELVING SUPPLIER C/W 1 1/2"x1 1/2"x1 1/2"x36" H. 'U'-SHAPED METAL CORNER GUARD IN FIN. NO. (55) ALSO BY METAL SHELVING SUPPLIER



ENSURE THAT TOP OF METAL SIGN BAND ALIGNS FLUSH WITH TOP OF METAL GABLE

ALL METAL END GABLE FASTENERS/ CONNECTIONS TO BE CONCEALED FROM CUSTOMER VIEW

3/4" THK. METAL END GABLE (90° CORNER) PT. FIN. NO. (24) BY SHELVING SUPPLIER C/W 1 1/2" x 1 1/2" x 36" HIGH METAL CORNER GUARD IN FIN. NO. (55) ALSO BY METAL SHELVING SUPPLIER

1 1/2"x1 1/2"x1 1/2"x36" H. 'U'-SHAPED METAL CORNER GUARD IN FIN. NO. (55) ALSO BY METAL SHELVING SUPPLIER (SILICONED IN PLACE)

1 1/2" x 1 1/2" x 36" HIGH METAL CORNER GUARD IN FIN. NO. (55) BY METAL SHELVING SUPPLIER, (SILICONED IN PLACE)

2 SECTIONAL-ELEVATION
F610 3/4" = 1'-0"

LCBO

600 WALK-IN COLDROOM

WALK-IN COLDROOM PERIMETER WALL FIXTURE END GABLE

REVISION DATE
2015 MAR23

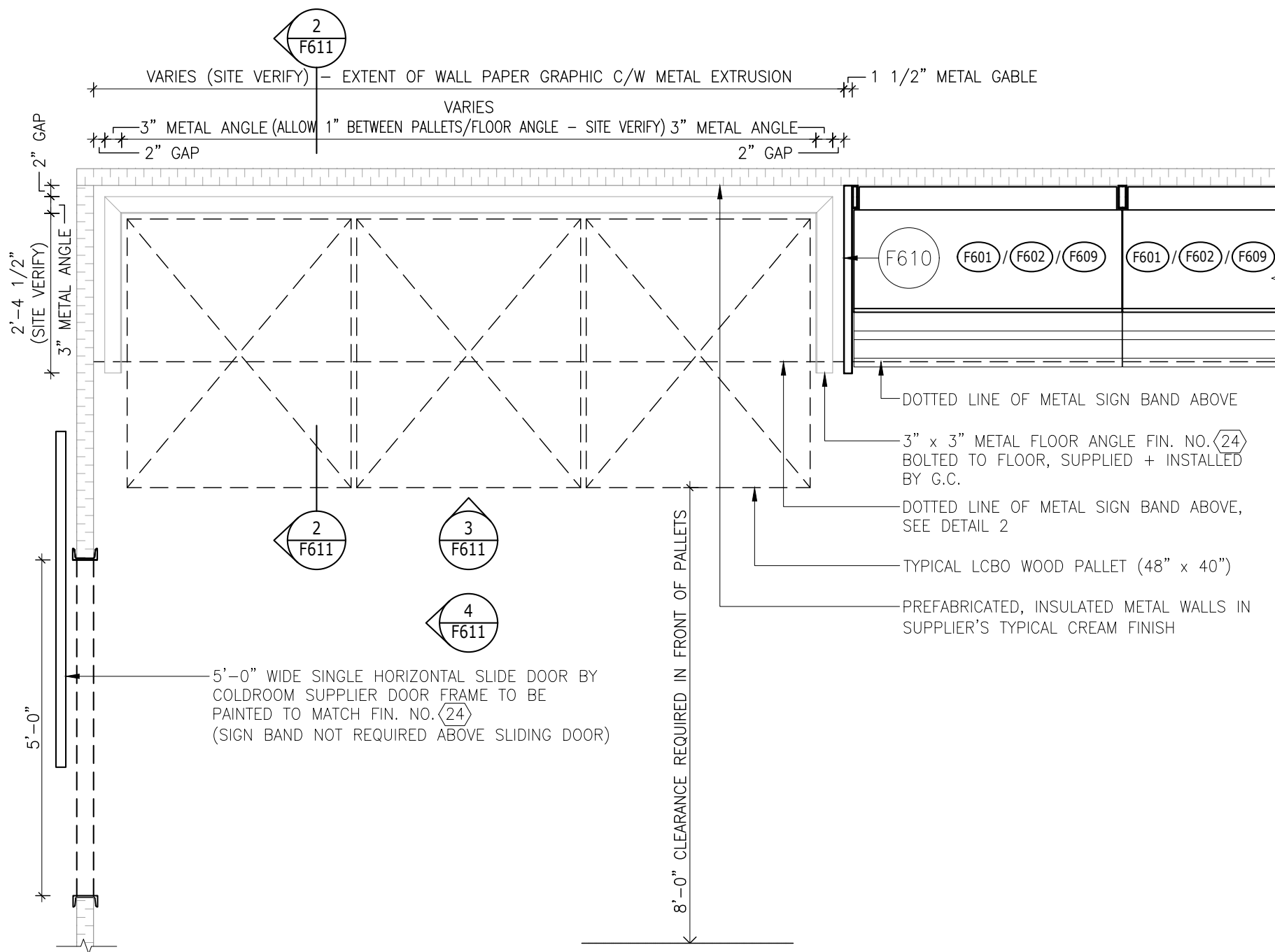
REV.
12

1 of 1
F610

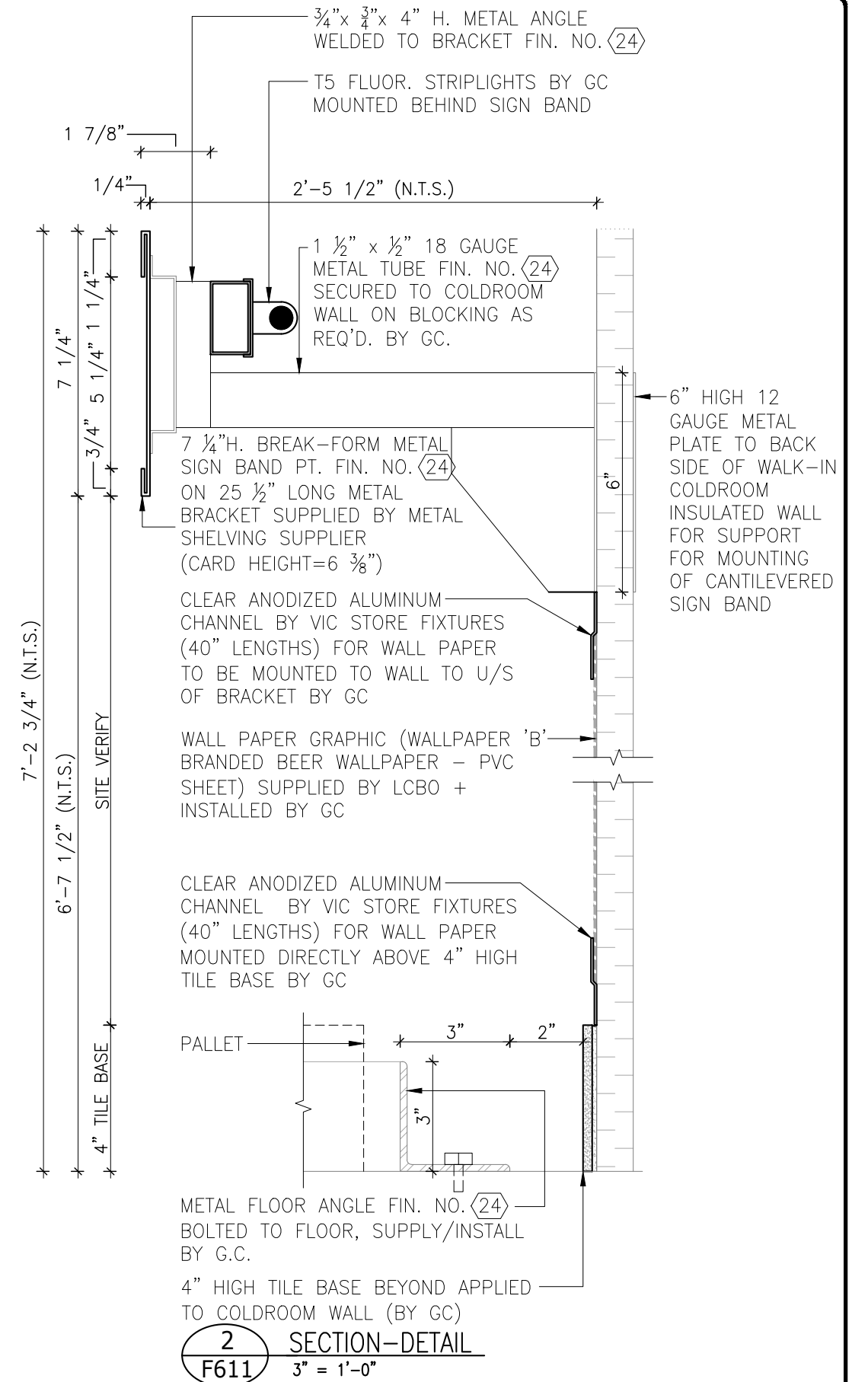
ISSUE DATE
2021 APR

STORE TYPE

STORE #

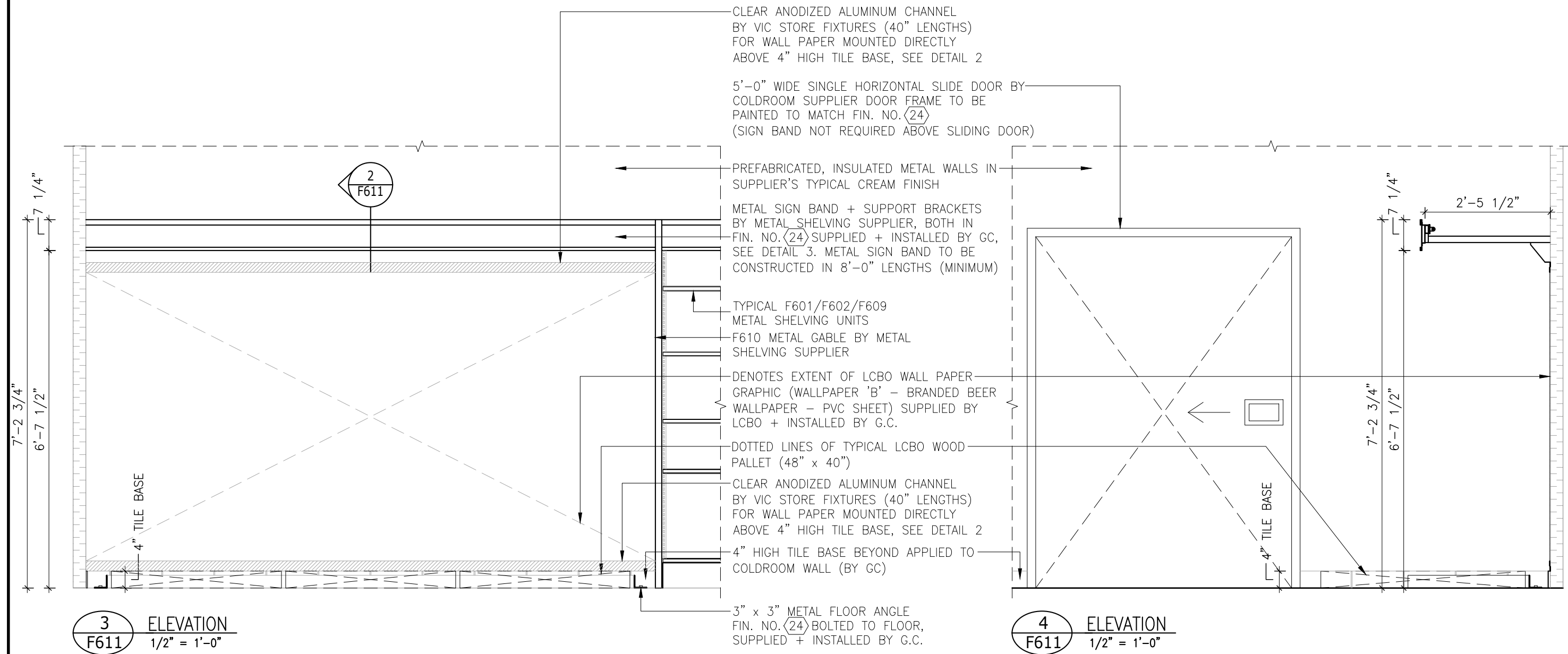


1 PLAN
F611 1/2" = 1'-0"

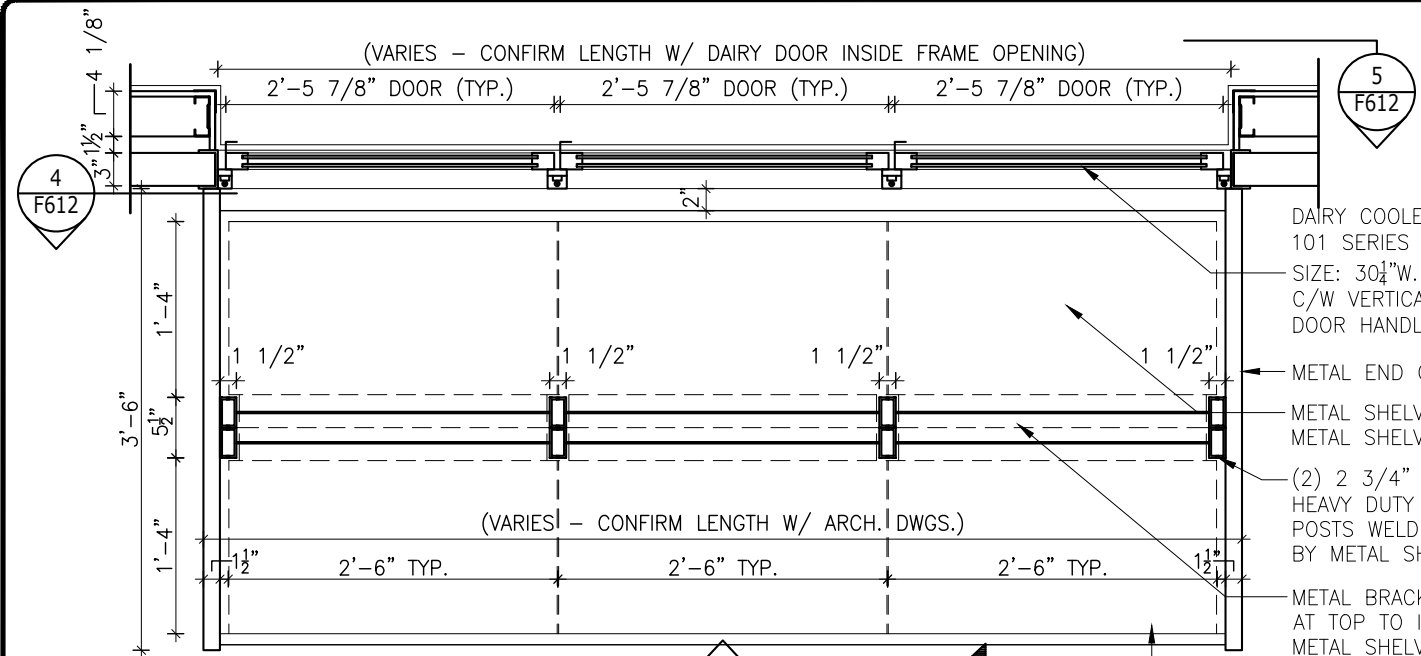


2 SECTION-DETAIL
F611 3" = 1'-0"

LCBO	600 WALK-IN COLDROOM	REVISION DATE	REV.	1 of 2	ISSUE DATE	STORE TYPE	STORE #
	WALK-IN COLDROOM PERIMETER SIGN BAND/WALLPAPER CHANNEL	2015 MAR23	12	F611	2021 APR		



LCBO	600 WALK-IN COLDRoom	REVISION DATE	REV.	2 of 2	ISSUE DATE	STORE TYPE	STORE #
	WALK-IN COLDRoom PERIMETER SIGN BAND/WALLPAPER CHANNEL	2015 MAR23	12	F611	2021 APR		



1 PLAN
F612 3/4" = 1'-0"

DAIRY COOLER DOORS BY: ANTHONY INTERNATIONAL 101 SERIES (CLEAR ANODIZED)
 SIZE: 30 1/4"W. X 79"H.
 C/W VERTICAL LED STRIP LIGHTING & FULL HEIGHT DOOR HANDLES SUPPLIED AND INSTALLED BY G.C.

METAL END GABLE BY SHELVING SUPPLIER

METAL SHELVING UNITS BY METAL SHELVING SUPPLIER

(2) 2 3/4" x 1 1/2" x 7'-0" HEAVY DUTY SLOTTED METAL POSTS WELDED TOGETHER BY METAL SHELVING SUPPLIER

METAL BRACKET SECURED TO POSTS AT TOP TO INCREASE STABILITY BY METAL SHELVING SUPPLIER

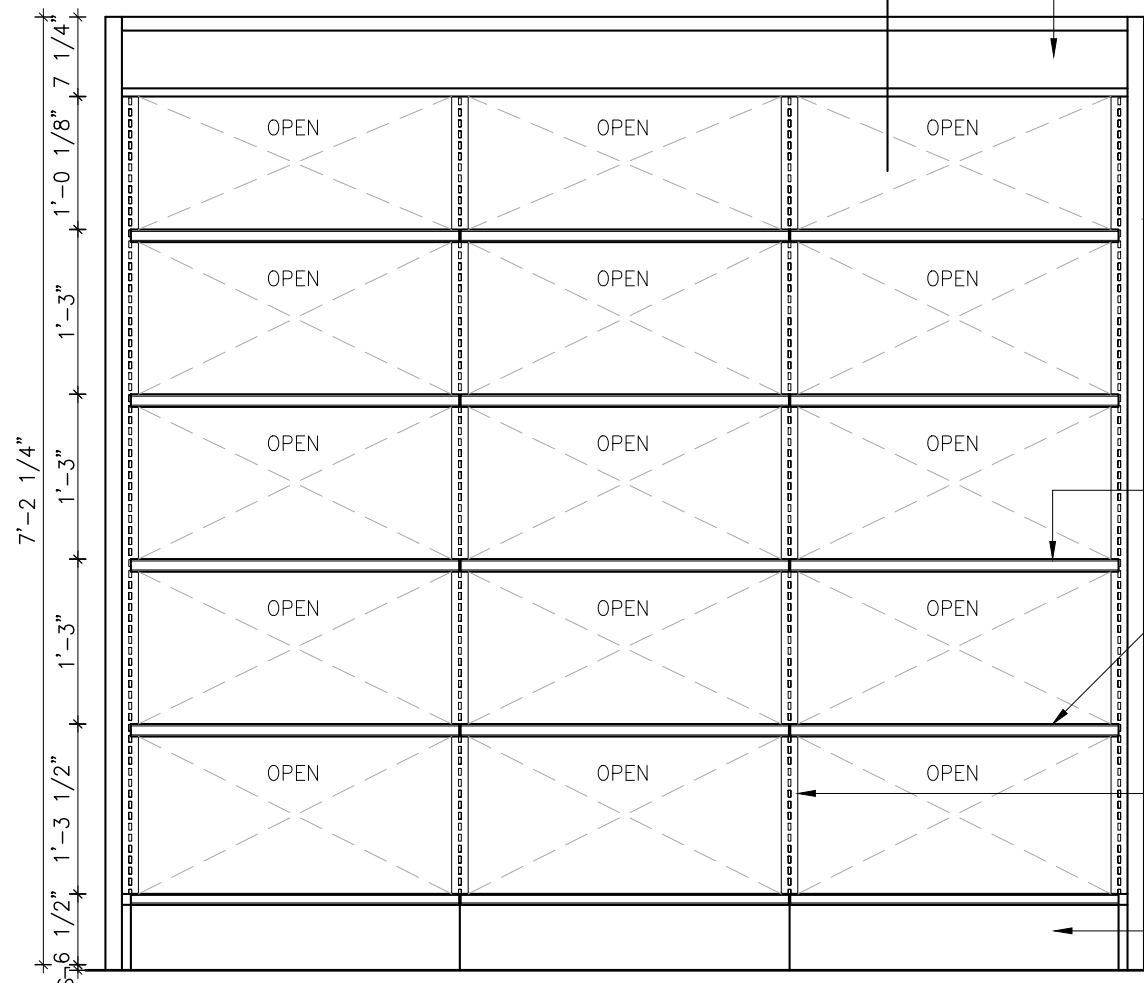
NOTE:
ADDITIONAL CENTER MULLION REQUIRED BETWEEN EVERY 5 COOLER DOOR MODULES.

NOTE:
ALL METAL SHELVING COMPONENTS TO BE PREFINISHED BY METAL SHELVING SUPPLIER TO MATCH FIN. NO. (24) UNLESS NOTED OTHERWISE

NOTE:
G.C. TO COORDINATE ALL COOLER DOOR DETAILS W/ SUPPLIER

NOTE:
METAL SIGN BAND TO BE CONSTRUCTED IN 7'-6" MODULES TO ALIGN WITH SHELVING UNITS BELOW.

NOTE:
ALL 1" METAL TICKET HOLDERS TO RECEIVE 1 3/4" PLASTIC TICKET HOLDER INSERT (SUPPLIED & INSTALLED BY METAL SHELVING SUPPLIER) TO SPAN LENGTH OF SHELF SECTION



2 ELEVATION
F612 3/4" = 1'-0"

BREAK-FORM METAL SIGN BAND ON METAL BRACKET ALL BY METAL SHELVING SUPPLIER

FLUORESCENT LIGHT FIXTURES SUPPLIED & INSTALLED BY G.C. TO BE MOUNTED TO BACK OF SIGN BAND

METAL END GABLE BY METAL SHELVING SUPPLIER

DAIRY COOLER DOORS BY: ANTHONY INTERNATIONAL 101 SERIES (CLEAR ANODIZED)
 SIZE: 30 1/4"W. X 79"H.
 C/W VERTICAL LED STRIP LIGHTING & FULL HEIGHT (CLEAR ANODIZED) DOOR HANDLES SUPPLIED AND INSTALLED BY G.C.

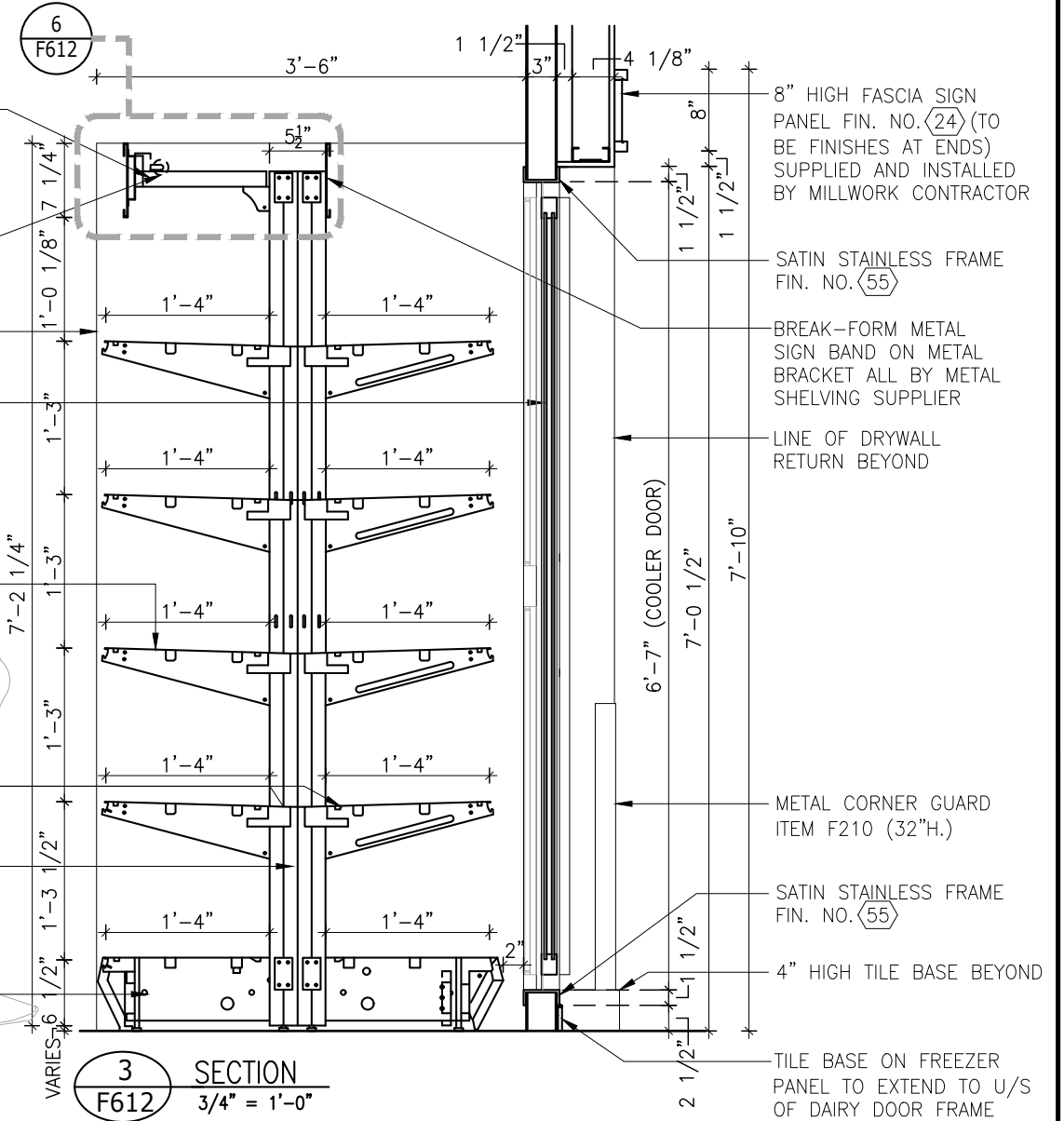
METAL SHELVING UNITS BY METAL SHELVING SUPPLIER

METAL TICKET HOLDER TO ACCOMMODATE 1 3/4" HIGH PLASTIC TICKET HOLDER (LCBO TO PROVIDE SAMPLE)

2 3/4" (x2) FILLER CAP BY METAL SHELVING SUPPLIER

(2) 2 3/4" x 1 1/2" x 7'-0" HEAVY DUTY SLOTTED METAL POSTS WELDED TOGETHER BY METAL SHELVING SUPPLIER

METAL BASE TO MATCH PT. FIN. NO. (17) BY METAL SHELVING SUPPLIER.



3 SECTION
F612 3/4" = 1'-0"

8" HIGH FASCIA SIGN PANEL FIN. NO. (24) (TO BE FINISHED AT ENDS) SUPPLIED AND INSTALLED BY MILLWORK CONTRACTOR

SATIN STAINLESS FRAME FIN. NO. (55)

BREAK-FORM METAL SIGN BAND ON METAL BRACKET ALL BY METAL SHELVING SUPPLIER

LINE OF DRYWALL RETURN BEYOND

6'-7" (COOLER DOOR)

7'-10"

METAL CORNER GUARD ITEM F210 (32"H.)

SATIN STAINLESS FRAME FIN. NO. (55)

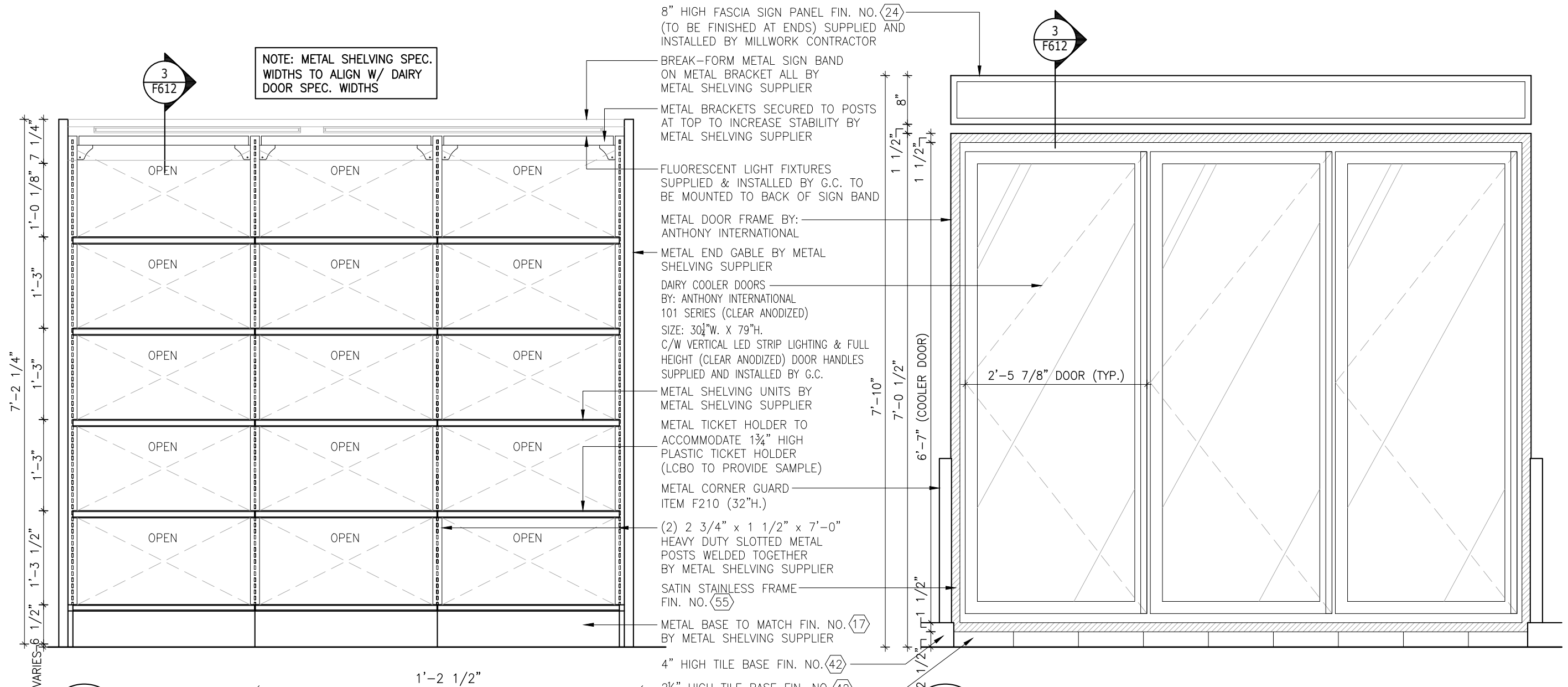
4" HIGH TILE BASE BEYOND

TILE BASE ON FREEZER PANEL TO EXTEND TO U/S OF DAIRY DOOR FRAME

LCBO

600 WALK-IN COLDROOM
 WALK-IN COLDROOM DOUBLE-SIDED COOLER SHELVING

REVISION DATE	REV.	1 of 2	ISSUE DATE	STORE TYPE	STORE #
2021 MAR.	17	F612	2021 APR		

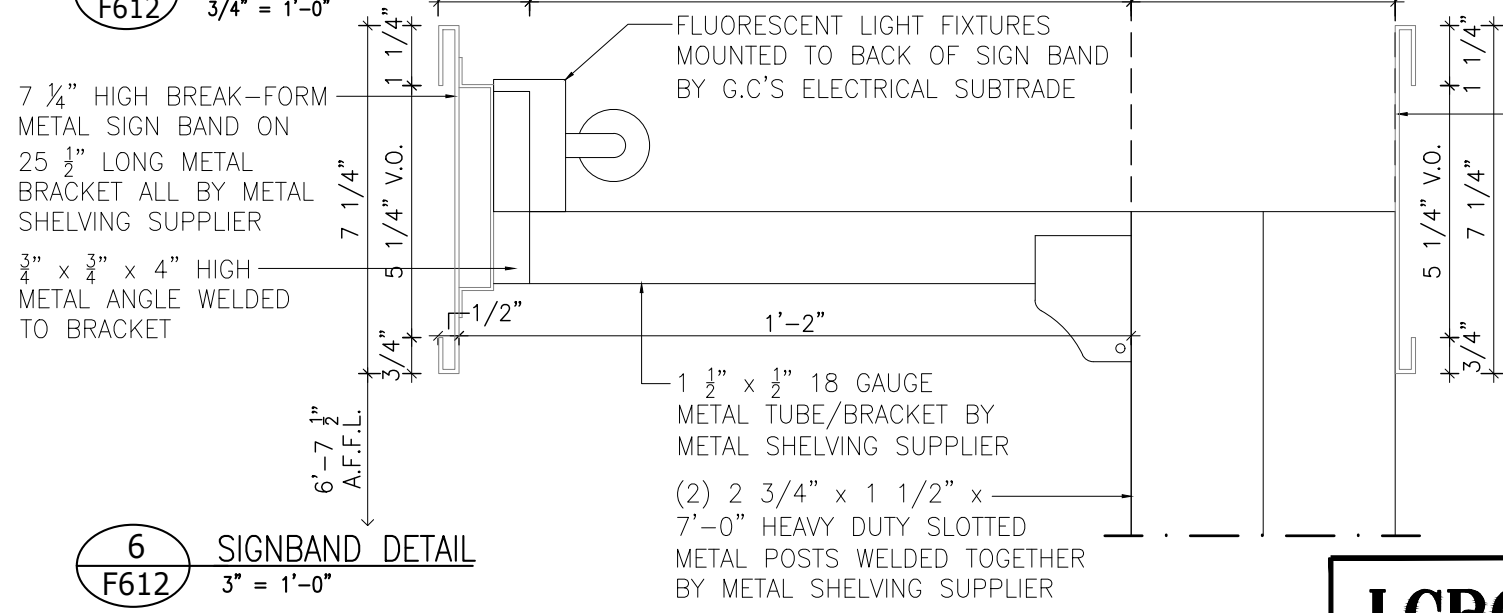


NOTE: METAL SHELVING SPEC. WIDTHS TO ALIGN W/ DAIRY DOOR SPEC. WIDTHS

- 8" HIGH FASCIA SIGN PANEL FIN. NO. (24) (TO BE FINISHED AT ENDS) SUPPLIED AND INSTALLED BY MILLWORK CONTRACTOR
- BREAK-FORM METAL SIGN BAND ON METAL BRACKET ALL BY METAL SHELVING SUPPLIER
- METAL BRACKETS SECURED TO POSTS AT TOP TO INCREASE STABILITY BY METAL SHELVING SUPPLIER
- FLUORESCENT LIGHT FIXTURES SUPPLIED & INSTALLED BY G.C. TO BE MOUNTED TO BACK OF SIGN BAND
- METAL DOOR FRAME BY: ANTHONY INTERNATIONAL
- METAL END GABLE BY METAL SHELVING SUPPLIER
- DAIRY COOLER DOORS BY: ANTHONY INTERNATIONAL 101 SERIES (CLEAR ANODIZED) SIZE: 30 1/2"W. X 79"H. C/W VERTICAL LED STRIP LIGHTING & FULL HEIGHT (CLEAR ANODIZED) DOOR HANDLES SUPPLIED AND INSTALLED BY G.C.
- METAL SHELVING UNITS BY METAL SHELVING SUPPLIER
- METAL TICKET HOLDER TO ACCOMMODATE 1 3/4" HIGH PLASTIC TICKET HOLDER (LCBO TO PROVIDE SAMPLE)
- METAL CORNER GUARD ITEM F210 (32"H.)
- (2) 2 3/4" x 1 1/2" x 7'-0" HEAVY DUTY SLOTTED METAL POSTS WELDED TOGETHER BY METAL SHELVING SUPPLIER
- SATIN STAINLESS FRAME FIN. NO. (55)
- METAL BASE TO MATCH FIN. NO. (17) BY METAL SHELVING SUPPLIER

4 ELEVATION F612 3/4" = 1'-0"

5 ELEVATION F612 3/4" = 1'-0"



6 SIGNBAND DETAIL F612 3" = 1'-0"

NOTE: ADDITIONAL CENTER MULLION REQUIRED BETWEEN EVERY 5 COOLER DOOR MODULES.

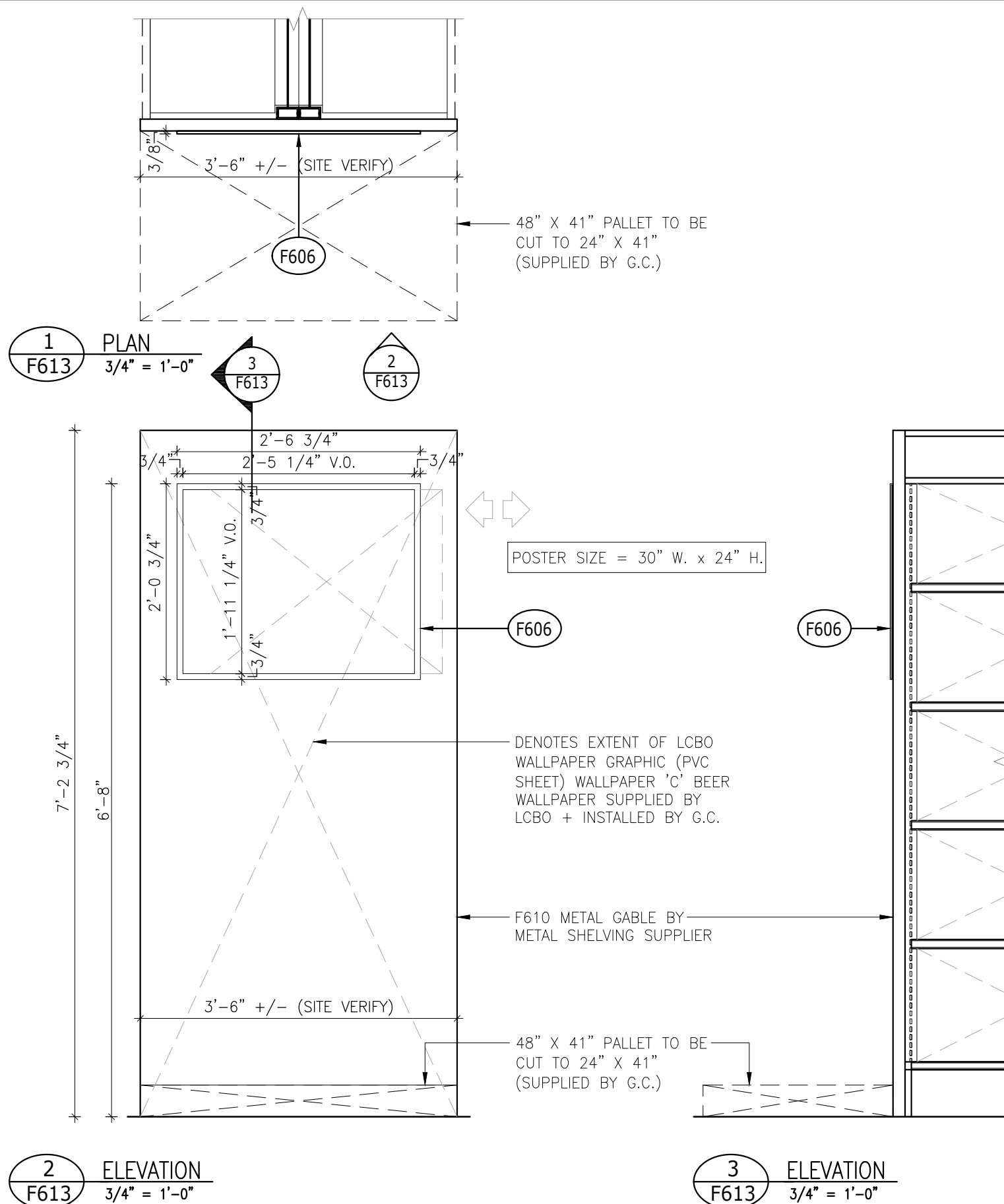
NOTE: ALL METAL SHELVING COMPONENTS TO BE PREFINISHED BY METAL SHELVING SUPPLIER TO MATCH FIN. NO. (24) UNLESS NOTED OTHERWISE

NOTE: G.C. TO COORDINATE ALL COOLER DOOR DETAILS W/ SUPPLIER

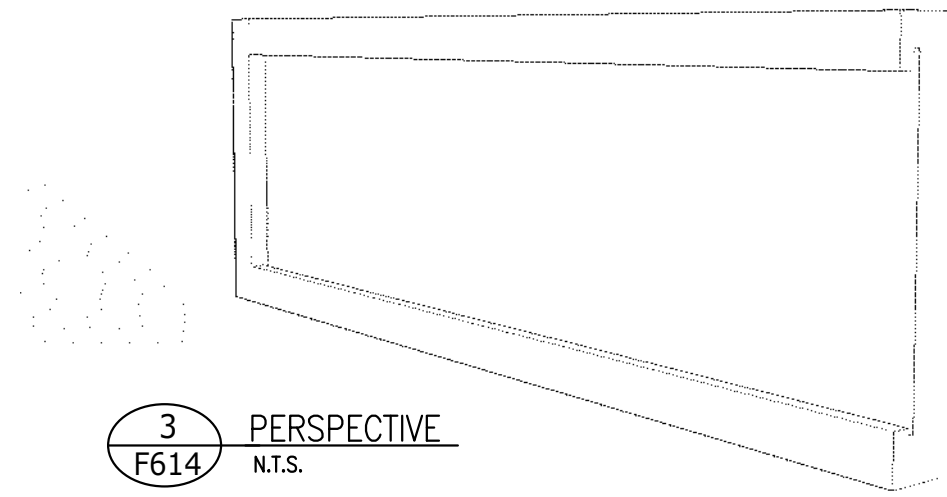
NOTE: ALL 1" METAL TICKET HOLDERS TO RECEIVE 1 3/4" PLASTIC TICKET HOLDER INSERT (SUPPLIED & INSTALLED BY METAL SHELVING SUPPLIER) TO SPAN LENGTH OF SHELF SECTION

NOTE: METAL SIGN BAND TO BE CONSTRUCTED IN 7'-6" MODULES TO ALIGN WITH SHELVING UNITS BELOW.

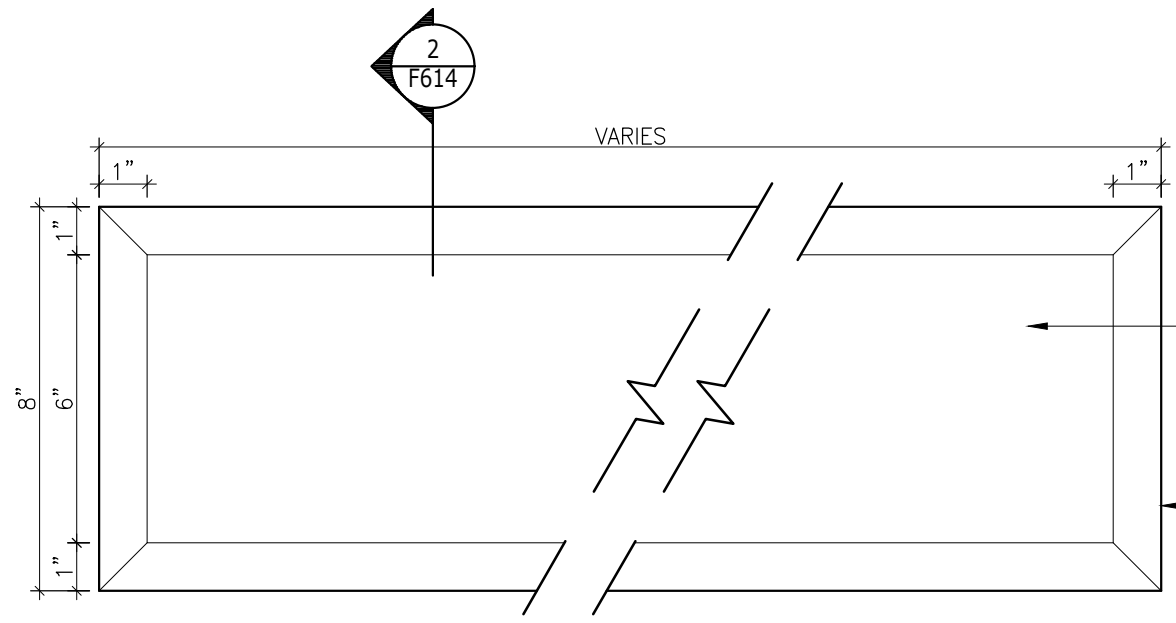
LCBO	600 WALK-IN COLDROOM		REVISION DATE	REV.	2 of 2	ISSUE DATE	STORE TYPE	STORE #
	WALK-IN COLDROOM DOUBLE-SIDED COOLER SHELVING		2021 MAR.	17	F612	2021 APR		



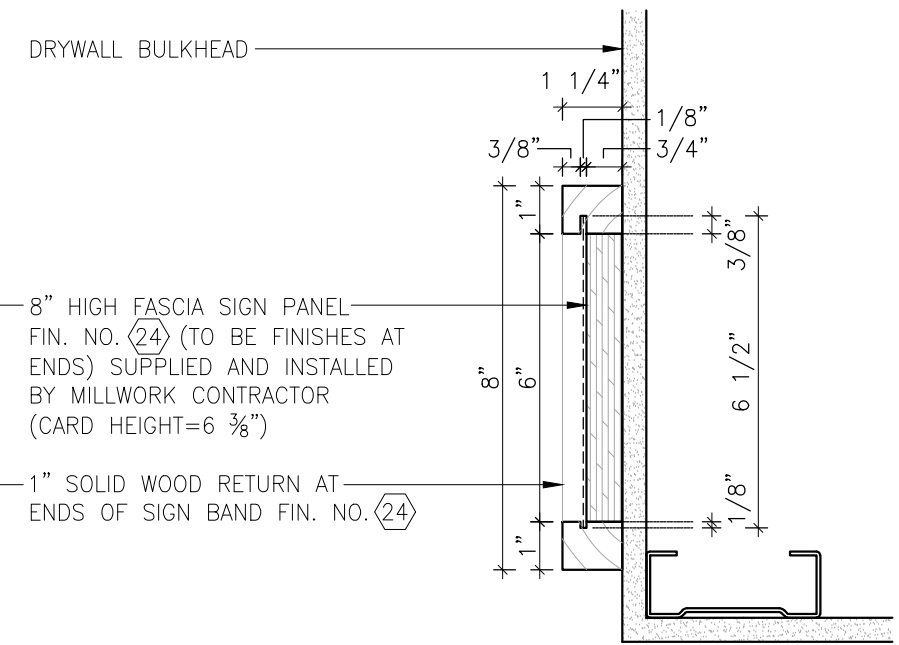
LCBO	600 WALK-IN COLDROOM	REVISION DATE	REV.	1 of 1	ISSUE DATE	STORE TYPE	STORE #
	WALK-IN COLDROOM HALF PALLET DISPLAY	2019 APR	16	F613	2021 APR		



3 PERSPECTIVE
F614 N.T.S.



1 ELEVATION
F614 3" = 1'-0"



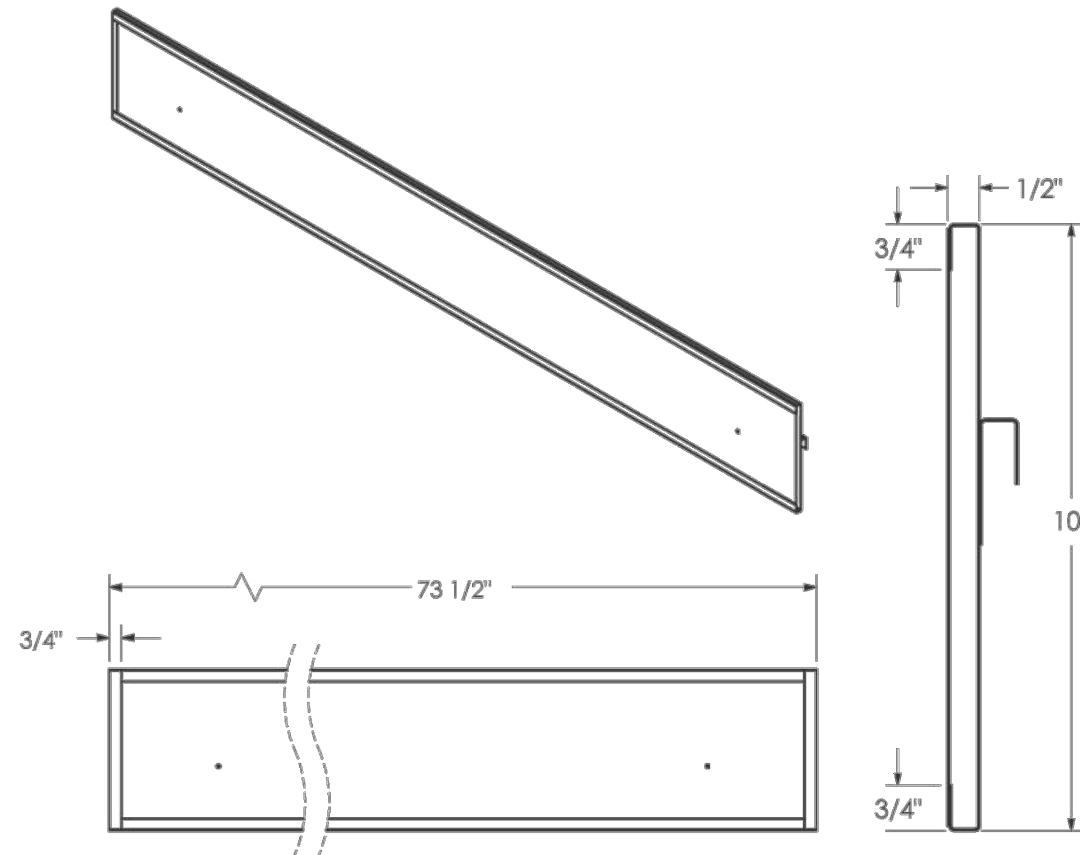
2 SECTION
F614 3" = 1'-0"

LCBO	600 WALK-IN COLDROOM	REVISION DATE	REV.	1 of 1	ISSUE DATE	STORE TYPE	STORE #
	WALK-IN COLDROOM DOUBLE-SIDED COOLER SHELVING MILLWORK FASCIA	2015 MAR23	12	F614	2021 APR		

OCB CANOPY (F615)

042-6557410

73 1/2" x 10"



LCBO

600 WALK-IN COLDROOM

WALK-IN COLDROOM 'CRAFT BEER' FASCIA SIGN BAND

REVISION DATE	REV.
2015 MAR23	12

1 of 1
F615

ISSUE DATE	STORE TYPE
2021 APR	

STORE #

RESERVED

LCBO	600 WALK-IN COLDROOM	REVISION DATE	REV.	1 of 1	ISSUE DATE	STORE TYPE	STORE #
		2017 NOV	15	F616	2021 APR		

3 in 1 Sit Stand

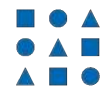
The only seating system designed specifically for bank Customer Service Representatives



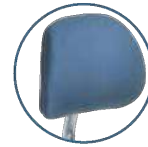
3 chairs in 1 for every bank Customer Service Representative

The 3 in 1 Sit Stand was designed specifically to be flexible enough to meet the varied needs of Financial Institutions' Customer Service Representatives. Regardless of the task that the Customer Service Representative needs to perform, or the desired standing or sitting position, the 3 in 1 Sit Stand provides the solution.

The Ergonomic Seating Specialists



ergoCentric



Moves Easily

Warranty

LIFETIME*

- Original purchaser
 - Defects and functional failure of materials up to a weight of 280 lbs
 - With the following exceptions:
10 YEARS*
 - Mechanisms, arms, foam, fabric
- * Includes labor costs

3 in 1 Sit Stand

Finally a sit stand that overcomes all of the negatives identified by bank Customer Service Representatives (CSR's), a sit stand so well designed for CSR's that they will thank you for it. The unique No Slip Strip makes the 3 in 1 Sit Stand the most user friendly sit stand available with three seating options.

The 3 in 1 Sit Stand is three chairs in one seating system. ergoCentric worked with one of Canada's leading Financial Institutions to create a seating system that could be used as a sit stand or as a counter height task chair. Now the 3 in 1 Sit Stand is that Financial Institution's official seating for in-branch CSR's. The 3 in 1 Sit Stand meets the exacting specifications of ergonomists and the varied desires of CSR's.

- Use as a sit stand with our durable No Slip Strip
- Use as a sit stand with a back support
- Use as a counter height task chair
- Two casters allow for easy movement from station to station or out of the way
- Three glides provide stability when perching

specifications

Backrest

- Fully upholstered backrest (14" wide by 10" high)
- 4" of back height adjustment

Seat

- Upholstered seat with dual density molded polyurethane foam with No Slip Strip
- Seat Pan (17.5" wide by 15.5" deep)

Control Mechanism

- Geometric shaped adjustment paddles and icon plates make Adjustability Understood™:
 - Single lever provides synchronized back and seat angle adjustment – circle paddle
 - Pneumatic seat height adjustment – square paddle

Pneumatic Lift

- The highest seat height will work with the highest of counter tops. At the lowest seat height the chair can be used as a desk chair, providing bank branches with complete flexibility. (we almost called it the 4 in 1 Sit Stand)
- 200mm knurled (Adjustment between 19.25" - 35.5") (Dual height adjustment system)

Base/Glides/Casters

- 22" Chrome 22 Base has an 18" oval tube footing built in for durability
- Two dual wheel nylon 2 1/4" casters and three 2 1/4" glides

additional options

Options

- As with all ergoCentric seating systems the 3 in 1 Sit Stand is completely modular allowing you to add arms, change the seat size, base, casters, glides and cylinders to suit changing needs.
- Fixed and adjustable arm options
 - Caster and glide options

Visit our website for more details at www.ergoCentric.com.

ergoCentric
SEATING • SYSTEMS



Printed on recycled paper
Printed in Canada
BR3IN1ENG

Tel: 1-866-GET ERGO (438 3746) Fax: 1-800-848-5190 service@ergoCentric.com

3 in 1 sit & stand stool or approved alternate

Backrest:

Fully upholstered backrest (14" wide x 10" high)

Seat:

seat pan (17.5" wide by 15.5" deep)

Upholstery:

Vinyl - Gunmetal US 392

Control Mechanism:

Geometric shaped adjustment paddles and icon plates

Pneumatic Lift:

200mm Knurled Dual Height Adjustment System (seat height 7.5" of adjustment between 19.25" - 35.5")

Base/Glide/Casters:

22" Chrome 22 Base has an 18" oval tube footing built in for durability
5 lock on casters

Contact:

Debbie Bettencourt
Customer Account Manager
1-866-438-3746 ext. 229
debbieb@ergoCentric.com
www.ergoCentric.com

LCBO

700 SPECIALTY/PROTOTYPICAL/ATYPICAL
3-in-1 SIT STAND STOOL

REVISION DATE	REV.	1 of 1	ISSUE DATE	STORE TYPE	STORE #
2015 MAR23	12	F701	2021 APR		

Breeze

Design: Carlo Bartoli

TASTING BAR STOOL
(Satin Frame with 7P Grey back + seat)

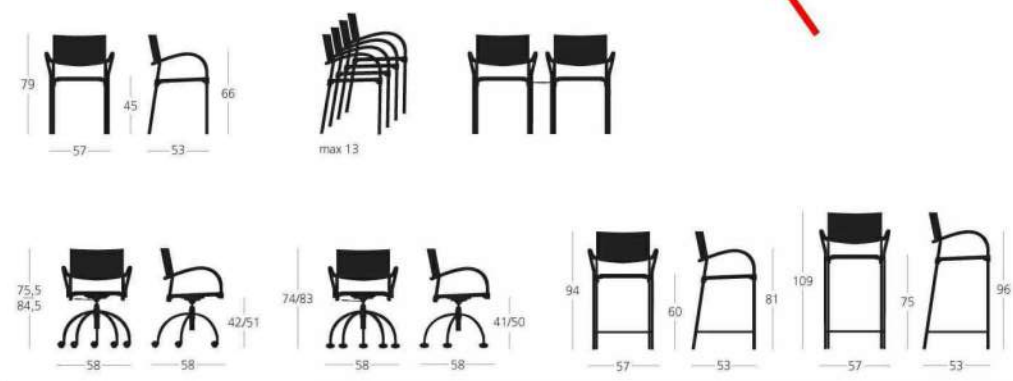


Stacking armchair.
Anodized aluminium frame available in polished, satin or powder coated finish. Seat and back panels in texturized recyclable polypropylene, available in several colours.
Polypropylene fire-proof panels (Black or Grey) are available on request with additional cost (Class 1).
The armchair in fire retardant version is approved in Class 1.

Available on request and with additional cost a version for outdoor. Water drainage holes on seat are especially sized to meet safety regulations.
Available also with seat and back upholstered with fabric or simulated leather.

ANSI-Bifma and UNI tests for US and Europe have been successfully passed. Stacking capacity up to 13 pcs on floor, virtually unlimited on trolley. Accessories: ganging device and trolley, for stacked chairs transportations.

Swivel version with gas operated lift. Tubular chromed steel frame. 5 spokes steel base available on nylon or soft castors.
Seat and back panels in texturized recyclable polypropylene, available in several colours.
Polypropylene fire-proof panels (Black or Grey) Class 1 are available on request with additional cost.
Swivel Breeze is not stackable nor suitable for outdoor use.



Segis Spa - 53036 Poggibonsi (SI) Italy - Loc. Fosci - via Umbria, 14 - T. ++39 0577 980333 - F. ++39 0577 938090 - www.segis.it - segis@segis.it

LCBO

700 SPECIALTY/PROTOTYPICAL/ATYPICAL
TASTING BAR STOOL

REVISION DATE
2015
MAR23

REV.
12

1 of 1
F702

ISSUE DATE
2021
APR

STORE TYPE

STORE #

Breeze

F703 – KITCHEN/DEMO CHAIR (Satin frame with 7Q Ivory back & seat)

Stacking armchair.
 Anodized aluminium frame available in polished, satin or powder coated finish.
 Seat and back panels in texturized recyclable polypropylene, available in the following colours: 7C White, 7F Black, 7A Red, 7H Yellow, 7K Dark blue, 7I Electric blue, 7P Grey, 7G Coral, 7E Mint green, 7Q Ivory, 7Z Rubin red. Polypropylene fire-proof panels (Black or Grey) are available on request with price increase (Class 1).
 The armchair in fire retardant version is approved in Class 1.
 Available on request and with additional cost a version for harsh environmental conditions.
 Water drainage holes on seat are especially sized to meet safety regulations.
 Available also with seat and back in top quality leather or upholstered with fabric or simulated leather.
 ANSI-BIFMA and UNI tests for US and Europe have been successfully passed.
 Stacking capacity up to 13 pcs on floor, virtually unlimited on trolley.
 Accessories: ganging device and trolley, for stacked chairs transportations.

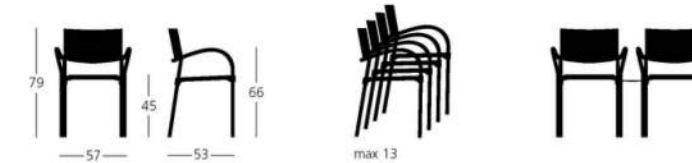


Art. 466
 Net weight: Kg. 4,3
 Packing: 4 pieces

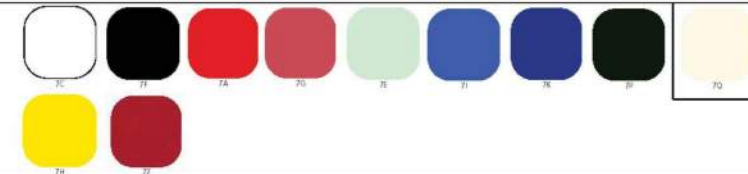
Art. 470
 Outdoor version

Art. 529 (upholstered)
 Net weight: Kg. 5,4
 Packing: 4 pieces

Art. 545 (cuir)
 Net weight: Kg. 5,2
 Packing: 4 pieces



Colours:



Colours for outdoor:



Accessories:

Art. MGANBREEZE
 Ganging device in metal, powder coated aluminium 58

Art. MGANPL466
 Ganging device in black plastic (couple)

Covering:

see fabric cards enclosed

Notes:

Fire retardant version : black 7F, grey 7P
 Laser engraving on polypropylene back (min. qty. 50 pcs.)



Distributed by:

Italiinteriors
 359 King Street East
 Toronto, ON, M5A 1L1
 Tel: (416) 366-9540
 Fax: (416) 366-4915
 info@italiinteriors.com

LCBO

700 SPECIALTY/PROTOTYPICAL/ATYPICAL
 KITCHEN/DEMO CHAIR

REVISION DATE
 2015 MAR23

REV.
 02

1 of 1
 F703

ISSUE DATE
 2021 APR

STORE TYPE

STORE #

Breeze

F704 – TASTING ROOM CHAIR (Satin frame with 7P Grey back & seat)

Stacking armchair.
 Anodized aluminium frame available in polished, satin or powder coated finish.
 Seat and back panels in texturized recyclable polypropylene, available in the following colours: 7C White, 7F Black, 7A Red, 7H Yellow, 7K Dark blue, 7I Electric blue, 7P Grey, 7G Coral, 7E Mint green, 7Q Ivory, 7Z Rubin red. Polypropylene fire-proof panels (Black or Grey) are available on request with price increase (Class 1).
 The armchair in fire retardant version is approved in Class 1.
 Available on request and with additional cost a version for harsh environmental conditions.
 Water drainage holes on seat are especially sized to meet safety regulations.
 Available also with seat and back in top quality leather or upholstered with fabric or simulated leather.
 ANSI-BIFMA and UNI tests for US and Europe have been successfully passed.
 Stacking capacity up to 13 pcs on floor, virtually unlimited on trolley.
 Accessories: ganging device and trolley, for stacked chairs transportations.



Art. 466
 Net weight: Kg. 4,3
 Packing: 4 pieces

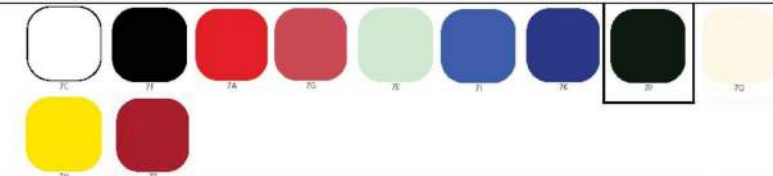
Art. 470
 Outdoor version

Art. 529 (upholstered)
 Net weight: Kg. 5,4
 Packing: 4 pieces

Art. 545 (cuir)
 Net weight: Kg. 5,2
 Packing: 4 pieces



Colours:



Colours for outdoor:



Accessories:

Art.MGANBREEZE

Ganging device in metal, powder coated aluminium 58

Art. MGANPL466

Ganging device in black plastic (couple)

Covering:

see fabric cards enclosed

Notes:

Fire retardant version : black 7F, grey 7P
 Laser engraving on polypropylene back (min. qty. 50 pcs.)



Distributed by:

Italinteriors
 359 King Street East
 Toronto, ON, M5A 1L1

Tel: (416) 366-8540
 Fax: (416) 366-4915
 info@italinteriors.com

LCBO

700 ATYPICAL/SPECIALTY/PROTOTYPE
 TASTING ROOM CHAIR

REVISION DATE
 2015 MAR23

REV.
 12

1 of 1
 F704

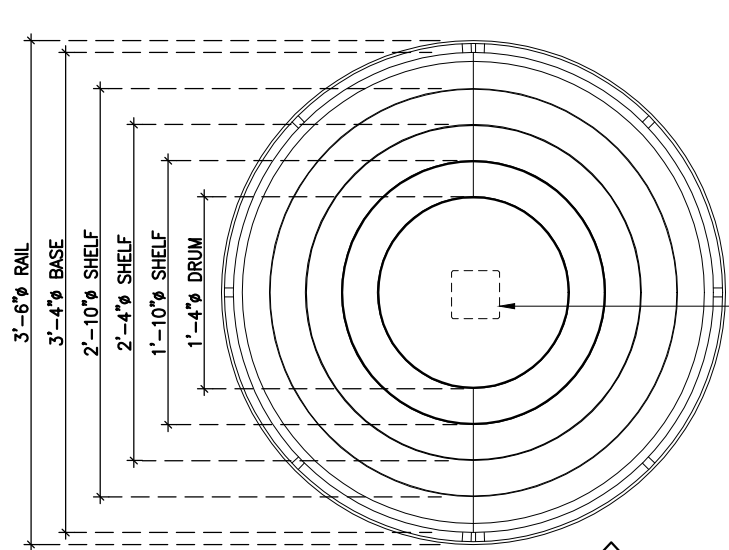
ISSUE DATE
 2021 APR

STORE TYPE

STORE #

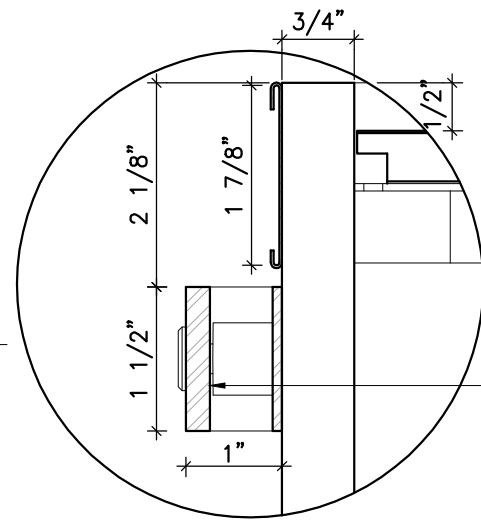
RESERVED

LCBO	700 SPECIALTY/PROTOTYPICAL/ATYPICAL	REVISION DATE	REV.	1 of 1	ISSUE DATE	STORE TYPE	STORE #
		2019 APR	16	F705-F721	2021 APR		



1 PLAN
F722 3/4" = 1'-0"

DOTTED LINES OF 4" x 4" SQ. STEEL POST BEYOND FIN. NO. (25) C/W SUPPORTING STRUCTURE WITHIN BASE



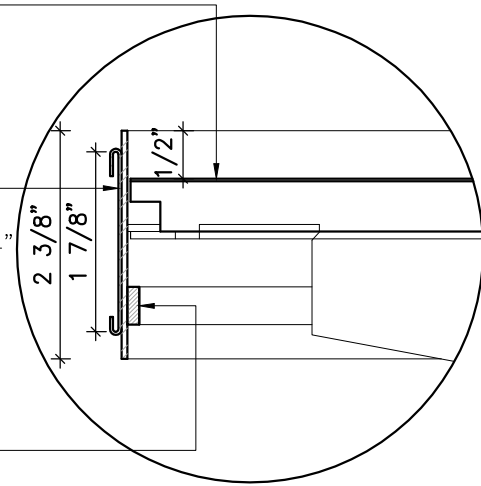
5 DETAIL
F722 6" = 1'-0"

RECESSED SHELF FIN. NO. (16A)

2 3/8" H. BREAKFORM METAL EDGE BAND FIN. NO. (25) C/W 1 3/4" METAL TICKET HOLDER FIN. NO. (25)

1 1/2" METAL RAIL FIN. NO. (25) SECURED TO BASE

CONCEALED LED TAPE LIGHT 24V 4200K 14.5w/m IP22 CRI 90

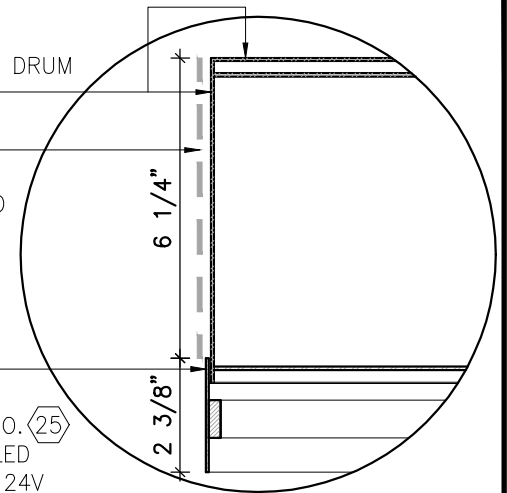


6 DETAIL
F722 6" = 1'-0"

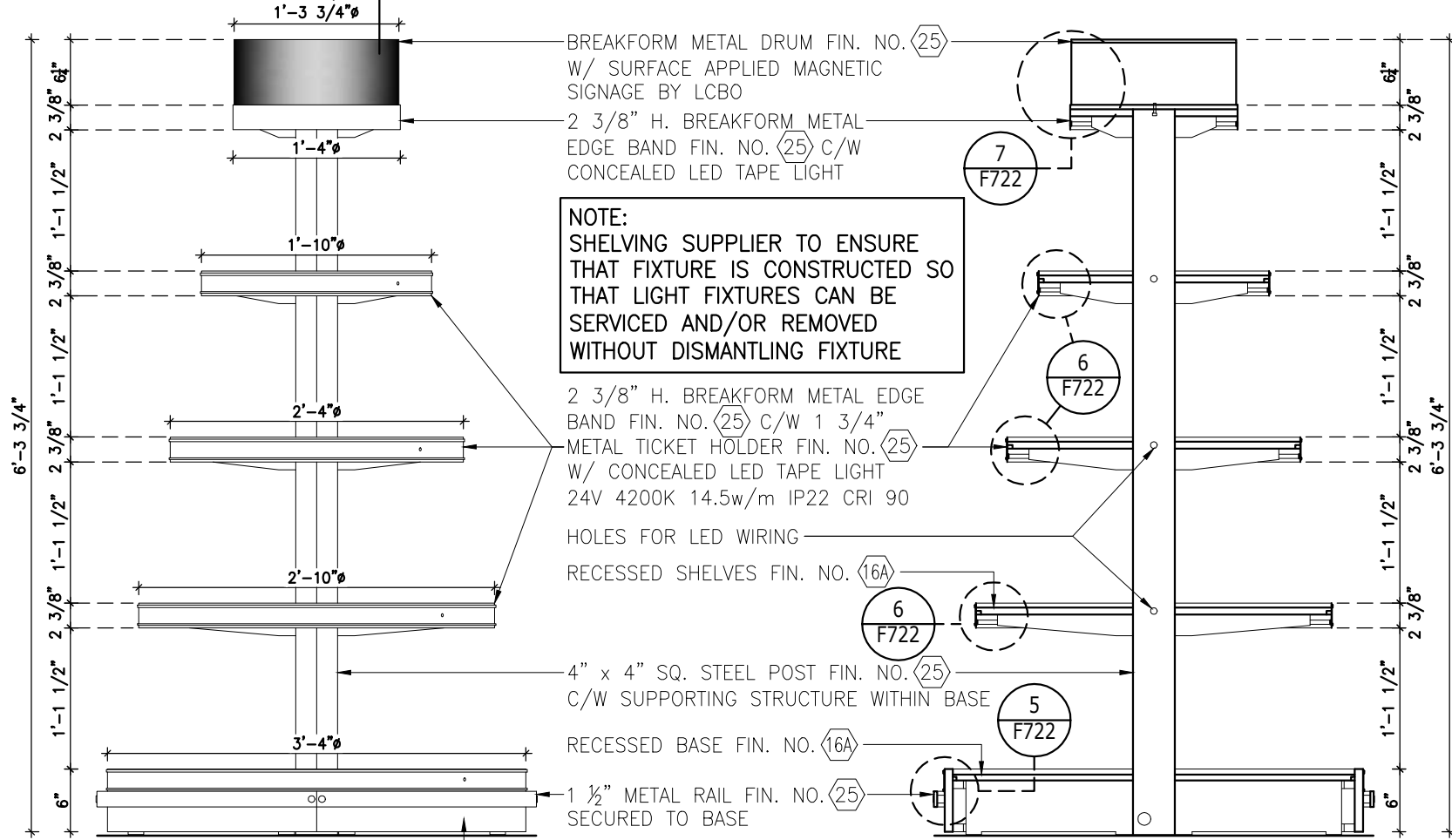
BREAKFORM METAL DRUM FIN. NO. (25)

DOTTED LINES OF MAGNETIC SIGN SUPPLIED BY LCBO

2 3/8" H. BREAKFORM METAL EDGE BAND FIN. NO. (25) C/W CONCEALED LED TAPE LIGHT 24V 4200K 14.5w/m IP22 CRI 90



7 DETAIL
F722 3" = 1'-0"



2 ELEVATION
F722 3/4" = 1'-0"

NOTE: SHELVING SUPPLIER TO ENSURE THAT FIXTURE IS CONSTRUCTED SO THAT LIGHT FIXTURES CAN BE SERVICED AND/OR REMOVED WITHOUT DISMANTLING FIXTURE

2 3/8" H. BREAKFORM METAL EDGE BAND FIN. NO. (25) C/W 1 3/4" METAL TICKET HOLDER FIN. NO. (25) W/ CONCEALED LED TAPE LIGHT 24V 4200K 14.5w/m IP22 CRI 90

HOLES FOR LED WIRING

RECESSED SHELVES FIN. NO. (16A)

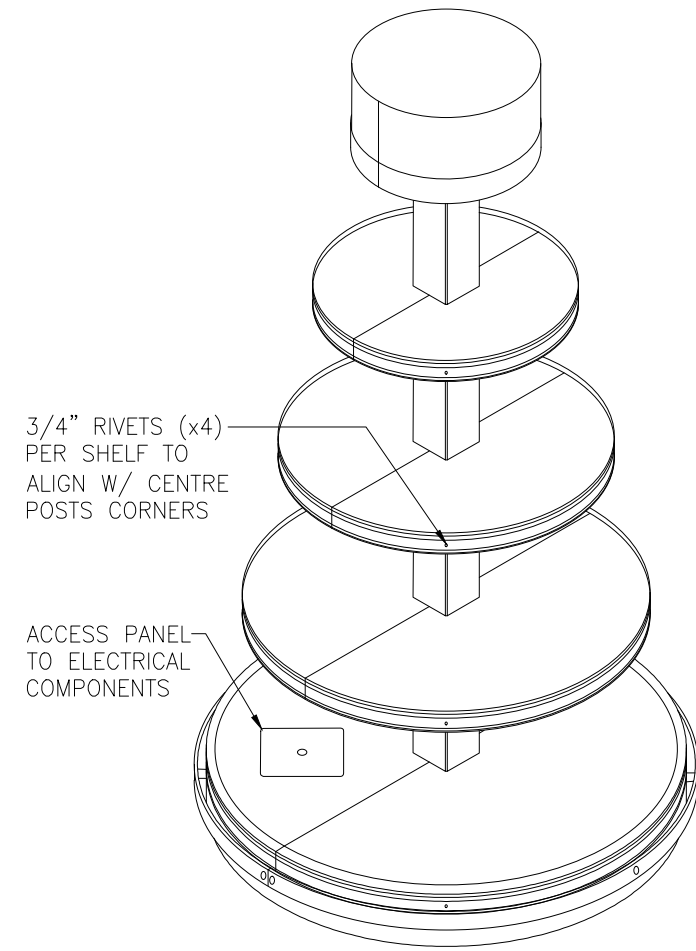
4" x 4" SQ. STEEL POST FIN. NO. (25) C/W SUPPORTING STRUCTURE WITHIN BASE

RECESSED BASE FIN. NO. (16A)

1 1/2" METAL RAIL FIN. NO. (25) SECURED TO BASE

VERTICAL FACE OF PLATFORM BASE TO BE FIN. NO. (25)

3 SECTION
F722 3/4" = 1'-0"



4 PERSPECTIVE
F722 N.T.S.

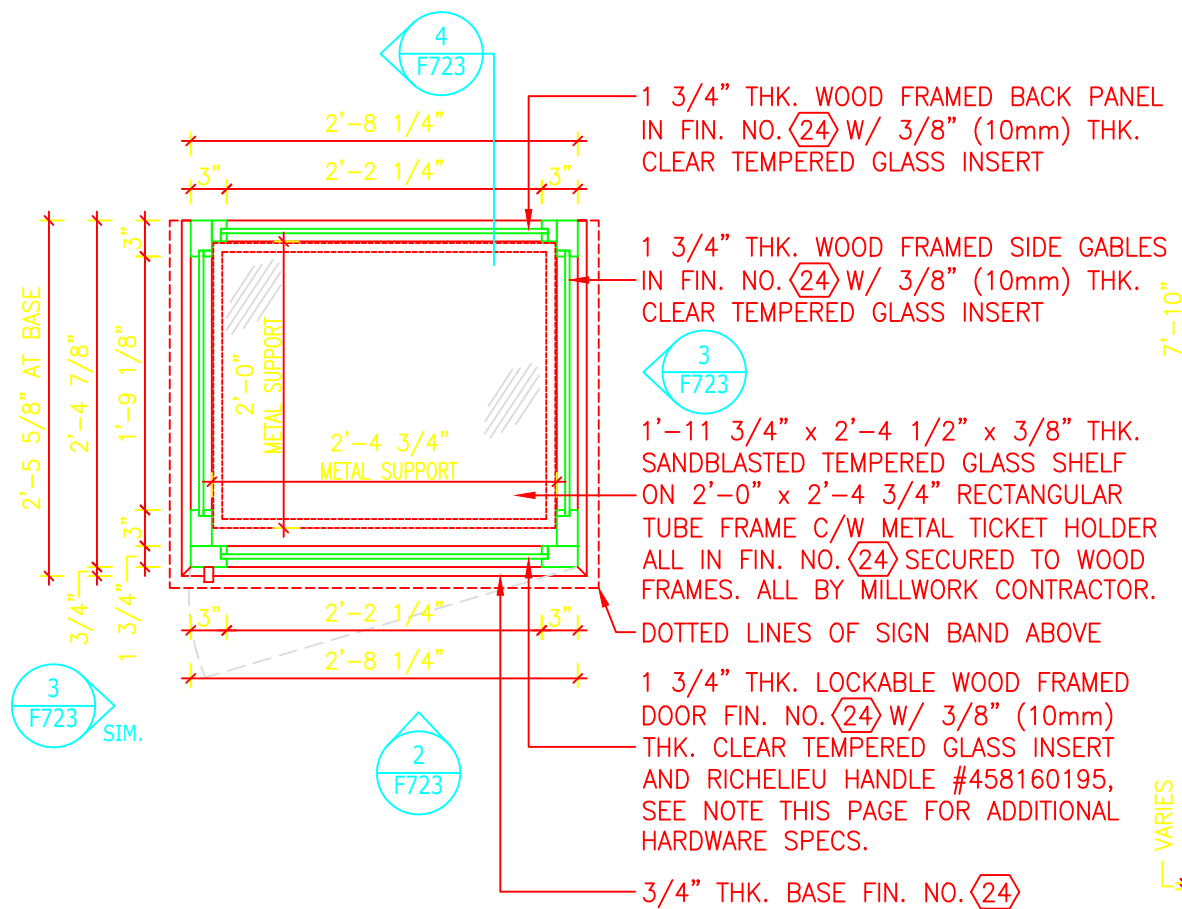
LCBO	700 SPECIALTY/PROTOTYPICAL/ATYPICAL	REVISION DATE	REV.	1 of 1	ISSUE DATE	STORE TYPE	STORE #
	CELEBRATION FIXTURE (ILLUMINATED)	2019 APR	16	F722	2021 APR		

HARDWARE SPECIFICATIONS:

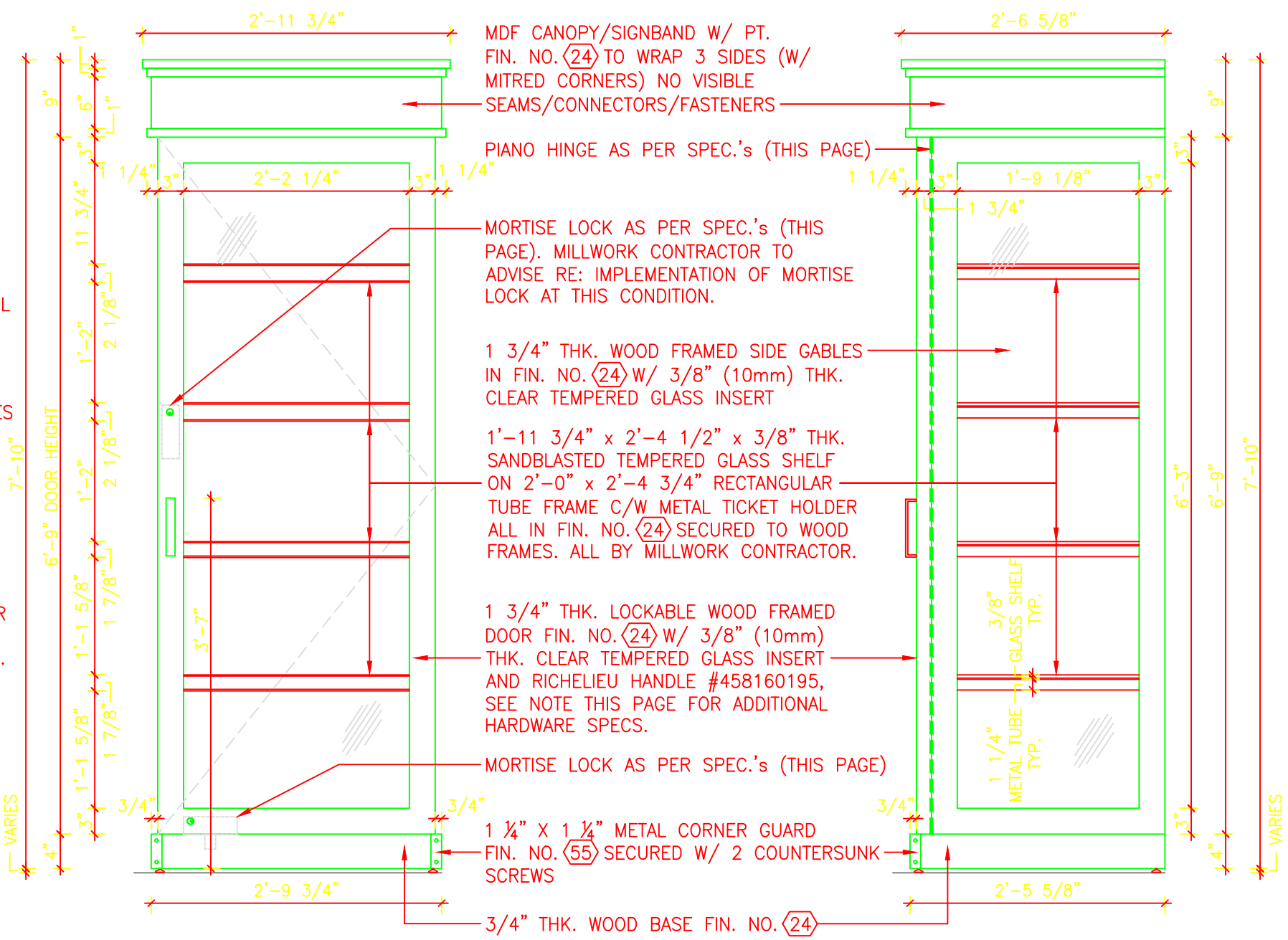
ADAM RITE DEADLOCK #ARMS1850S410628
 MORTISE CYLINDER #LSM1002SCC26D 1" CLEAR ANODIZED ALUMINUM FINISH
 C/W (2) KEYS (TO BE KEYED TO MATCH UNIT F305)
 STRIKE FOR HOOK BOLT #ARMS4001031628
 SPACER RING #IL861F2810 - 1/4" THK. CLEAR ANODIZED ALUMINUM

3" .060 GA 8FT LONG CONTINUOUS PIANO HINGE BY RICHELIEU MODEL:
 #76096180 (BRUSHED NICKEL FINISH)

DOOR PULL BY RICHELIEU: MODEL #458160195 (BRUSHED NICKEL FINISH)



1 PLAN
 F723 3/4" = 1'-0"

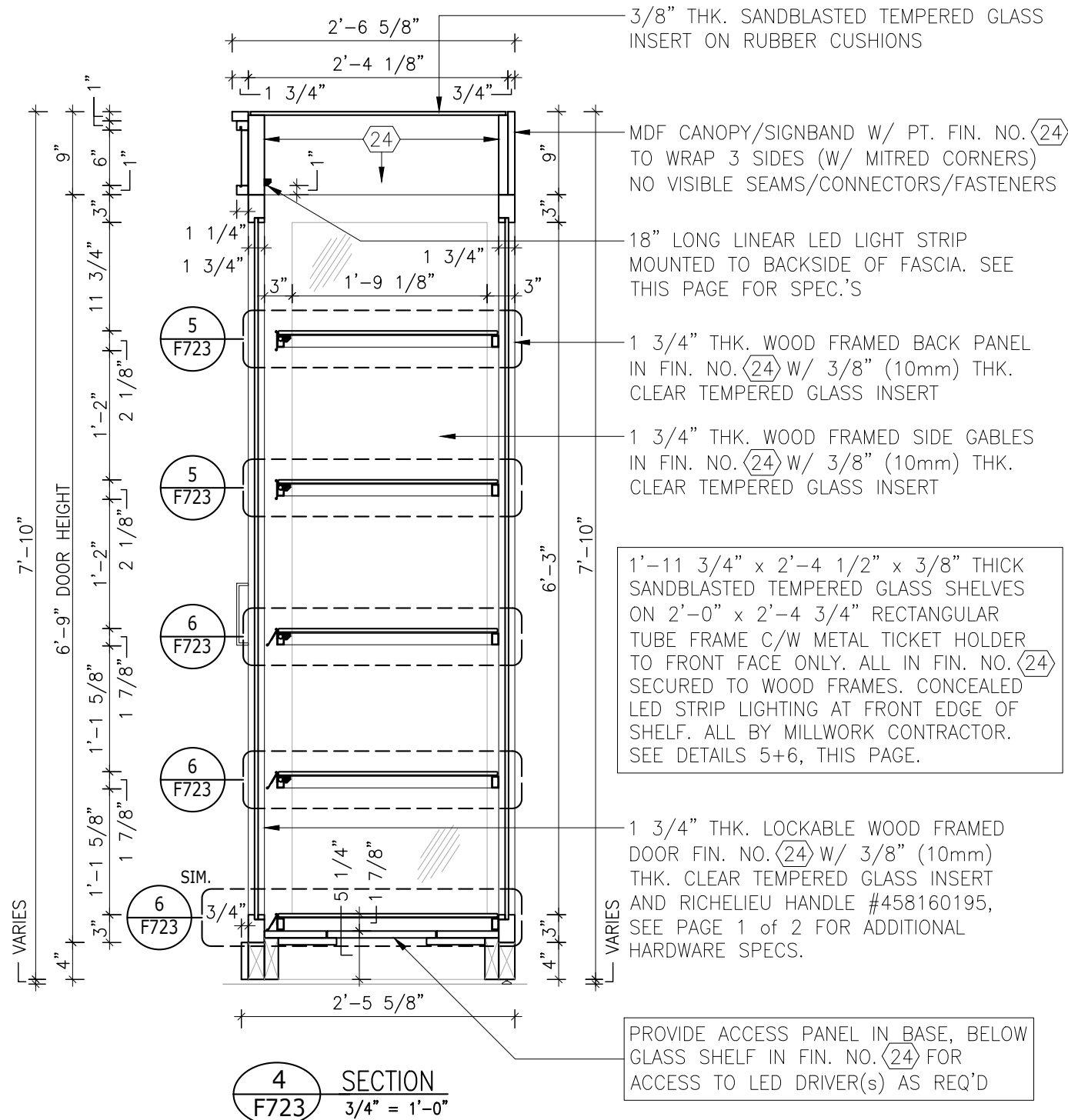


2 FRONT ELEVATION
 F723 3/4" = 1'-0"

3 SIDE ELEVATION
 F723 3/4" = 1'-0"

NOTE:
 MILLWORK CONTRACTOR TO SECURE & LEVEL FIXTURE TO FLOOR

LCBO	700 SPECIALTY/PROTOTYPE/ATYPICAL	REVISION DATE	REV.	1 of 2	ISSUE DATE	STORE TYPE	STORE #
	FREE-STANDING LOCKABLE PERIMETER WALL FIXTURE (ILLUMINATED)	2017 NOV	15	F723	2021 APR		

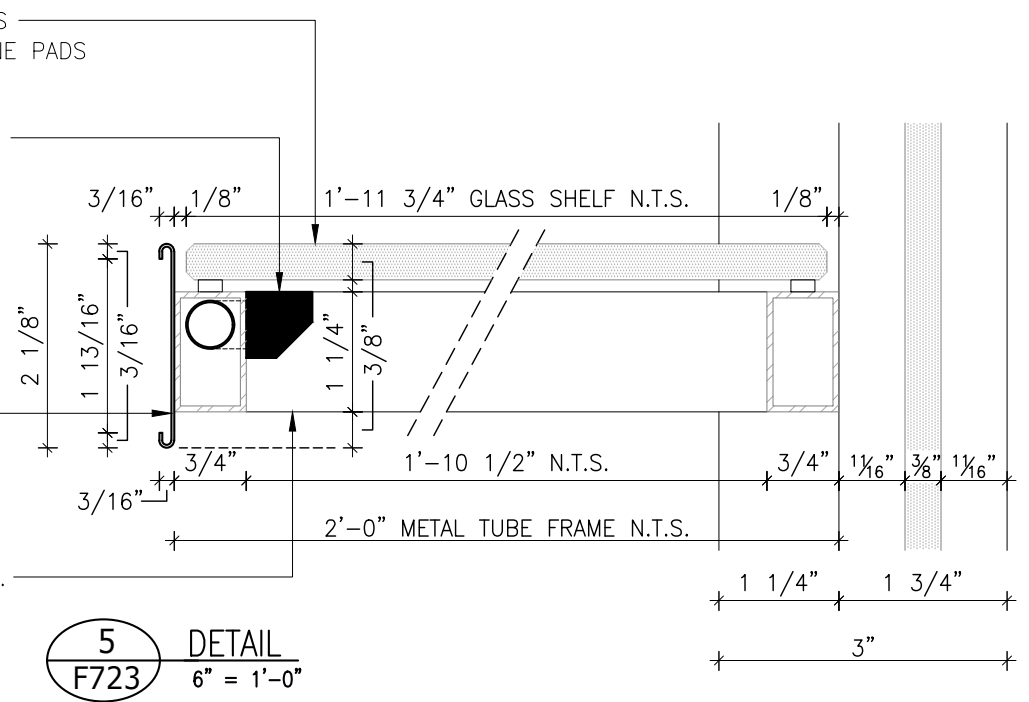


3/8" THK. TEMPERED SANDBLASTED GLASS SHELF W/ CHAMFERED EDGES ON SILICONE PADS

18" LONG LINEAR LED LIGHT STRIP MOUNTED TO BACKSIDE OF METAL FRAME. SEE THIS PAGE FOR SPEC.'S. ALL WIRING TO BE NEATLY CONCEALED FROM CUSTOMER'S VIEW. PRE-DRILL METAL FRAME AS REQUIRED TO CONCEAL WIRING.

2 1/8" HIGH METAL TICKET HOLDER FIN. NO. (24) SECURED TO METAL FRAME (NO VISIBLE WELDS/FASTENERS)

RECTANGULAR TUBE FRAME FIN. NO. (24) SECURED TO WOOD FRAMES AS REQUIRED. ALL WELDS TO BE FILLED AND GROUND SMOOTH TO ENSURE NO VISIBLE SEAMS.

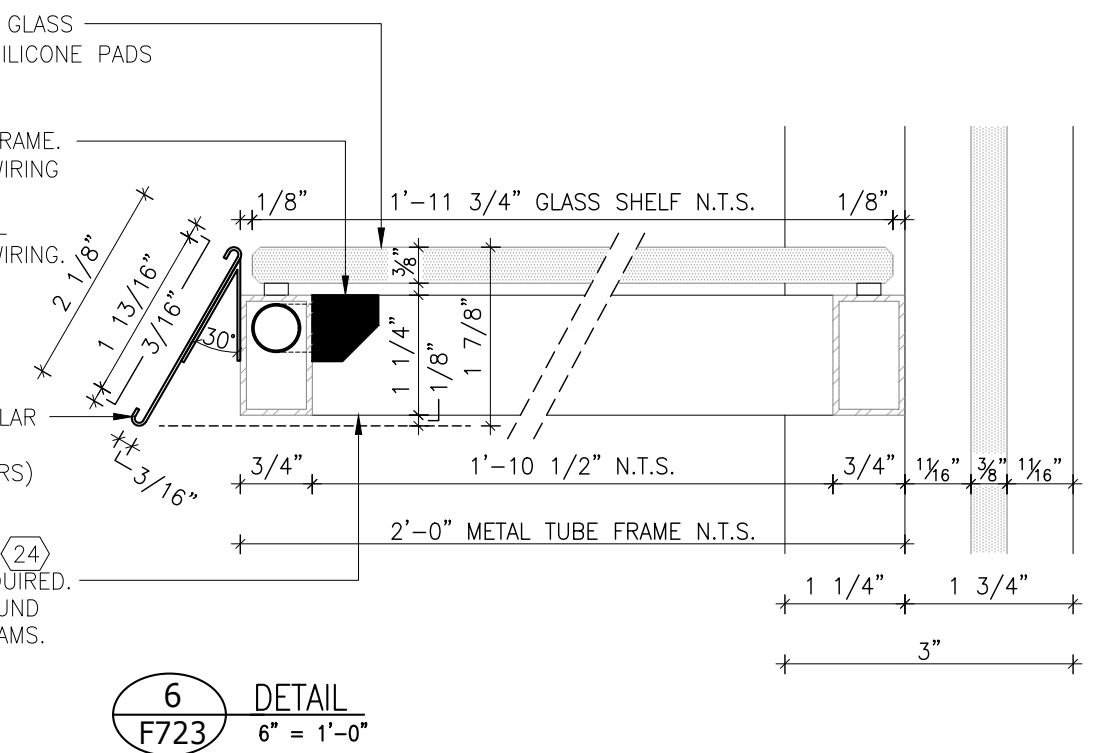


3/8" THK. TEMPERED SANDBLASTED GLASS SHELF W/ CHAMFERED EDGES ON SILICONE PADS

18" LONG LINEAR LED LIGHT STRIP MOUNTED TO BACKSIDE OF METAL FRAME. SEE THIS PAGE FOR SPEC.'S. ALL WIRING TO BE NEATLY CONCEALED FROM CUSTOMER'S VIEW. PRE-DRILL METAL FRAME AS REQUIRED TO CONCEAL WIRING.

2 1/8" HIGH METAL TICKET HOLDER FIN. NO. (24) WITH CONCEALED ANGULAR METAL BRACKET SECURED TO METAL FRAME (NO VISIBLE WELDS/FASTENERS)

RECTANGULAR TUBE FRAME FIN. NO. (24) SECURED TO WOOD FRAMES AS REQUIRED. ALL WELDS TO BE FILLED AND GROUND SMOOTH TO ENSURE NO VISIBLE SEAMS.



GENERAL NOTES:

- SITE VERIFY ALL DIMENSIONS PRIOR TO SHOP DRAWING SUBMITTAL AND REPORT ANY DISCREPANCIES
- MILLWORK CONTRACTOR TO PROVIDE SHOP DRAWINGS FOR REVIEW PRIOR TO FABRICATION. ENSURE ALL SHELVES ARE TRUE & LEVEL. MILLWORK CONTRACTOR TO ENSURE STABILITY OF FIXTURE AS REQUIRED (POSSIBLY BOLTING FIXTURE TO FLOOR IF REQUIRED - MILLWORK CONTRACTOR TO ADVISE)
- MILLWORK CONTRACTOR TO OBTAIN 2" HIGH PAPER TICKET SAMPLE FROM LCBO PRIOR TO FABRICATION TO ENSURE PROPER FIT WITHIN TICKET MOULDING. SUBMIT SAMPLE FOR APPROVAL.
- ENSURE ALL WIRES ARE CONCEALED FROM CUSTOMER'S VIEW AS REQUIRED.

LIGHTING SPECIFICATIONS

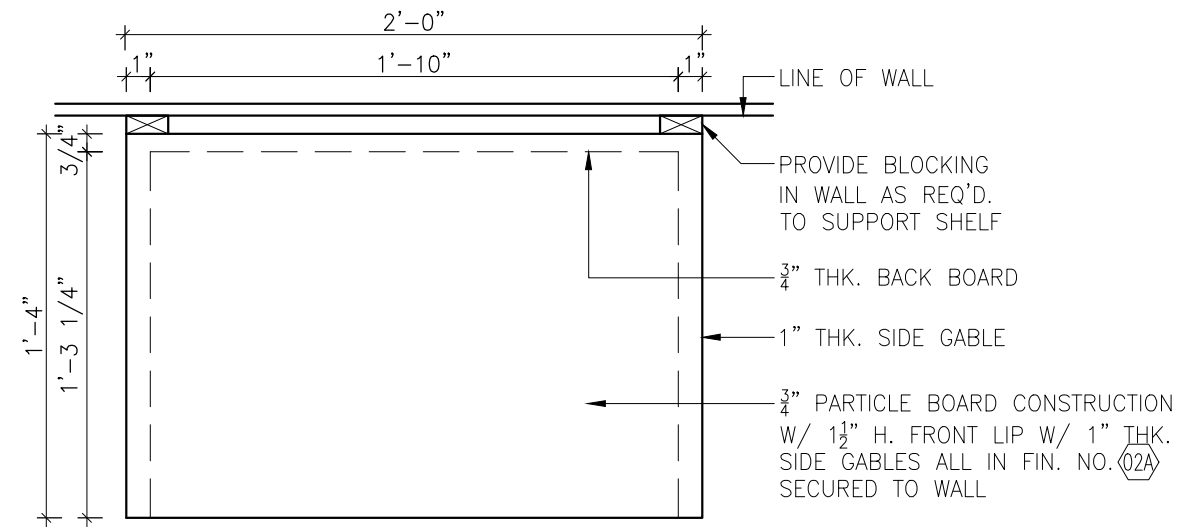
- LINE .75 ASYMMETRIC (ANGLED) L.E.D. STRIP LIGHT BY: io LIGHTING #0.03.1.3KMO.90.100.1.03.12.1 LENGTH: 18" COLOUR: 3000°K MID-OUTPUT (FIVE 18" STRIPS REQUIRED IN TOTAL) DISTRIBUTED BY: COOPER LIGHTING CONTACT: JOE SKOPELITIS TEL: 905-501-3081

ALL LIGHTING AND ASSOCIATED COMPONENTS (CONNECTORS, DRIVERS, MOUNTING CLIPS, ETC.) TO BE SUPPLIED + INSTALLED BY MILLWORK CONTRACTOR (COORDINATE WITH GC AS REQ'D.). ENSURE ALL WIRING IS CONCEALED FROM CUSTOMERS VIEW. COORDINATE WITH SUPPLIER TO ENSURE TIMELY DELIVERY OF LIGHTS TO SUIT THE CONSTRUCTION SCHEDULE AS LED STRIPLIGHTS MAY HAVE A LONG LEAD TIME (6-8 WEEKS).

LCBO	700 SPECIALTY/PROTOTYPE/ATYPICAL	REVISION DATE	REV.	2 of 2	ISSUE DATE	STORE TYPE	STORE #
	FREE-STANDING LOCKABLE PERIMETER WALL FIXTURE (ILLUMINATED)	2017 NOV	15	F723	2021 APR		

RESERVED

LCBO	700 SPECIALTY/PROTOTYPICAL/ATYPICAL	REVISION DATE	REV.	1 of 1	ISSUE DATE	STORE TYPE	STORE #
		2019 APR	16	F724-F764	2021 APR		

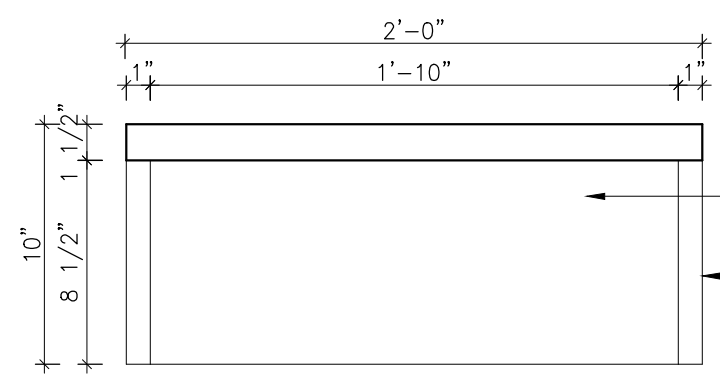


2
F765

1 PLAN
F765 1 1/2" = 1'-0"

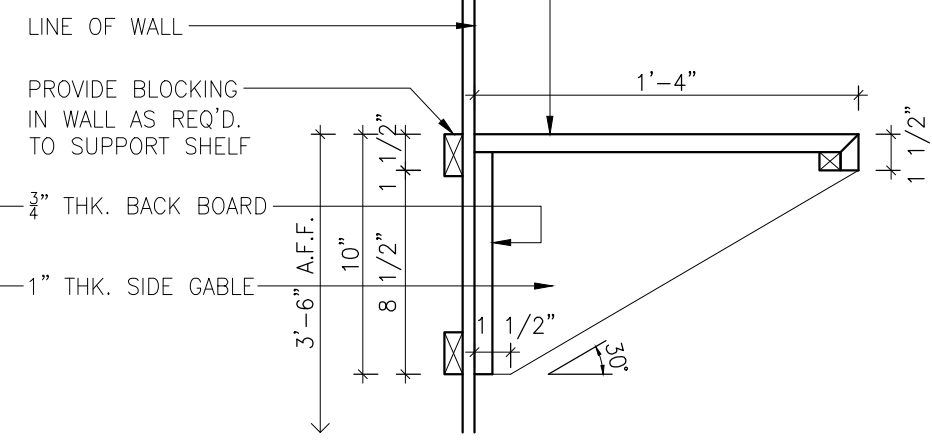
NOTE:
MILLWORK CONTRACTOR TO PROVIDE SHOP DRAWING FOR APPROVAL

3/4" PARTICLE BOARD CONSTRUCTION W/ 1 1/2" H. FRONT LIP W/ 1" THK. SIDE GABLES ALL IN FIN. NO. 02A SECURED TO WALL



2 ELEVATION
F765 1 1/2" = 1'-0"

NOTE:
ALL FASTENING TO BE CONCEALED

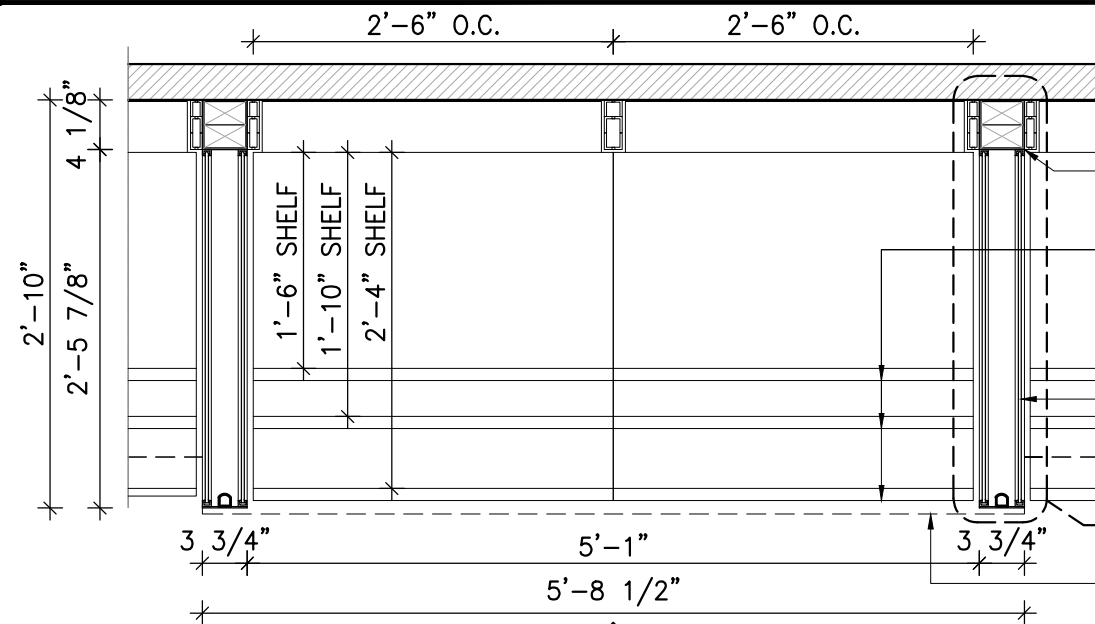


1 SECTION
F765 1 1/2" = 1'-0"

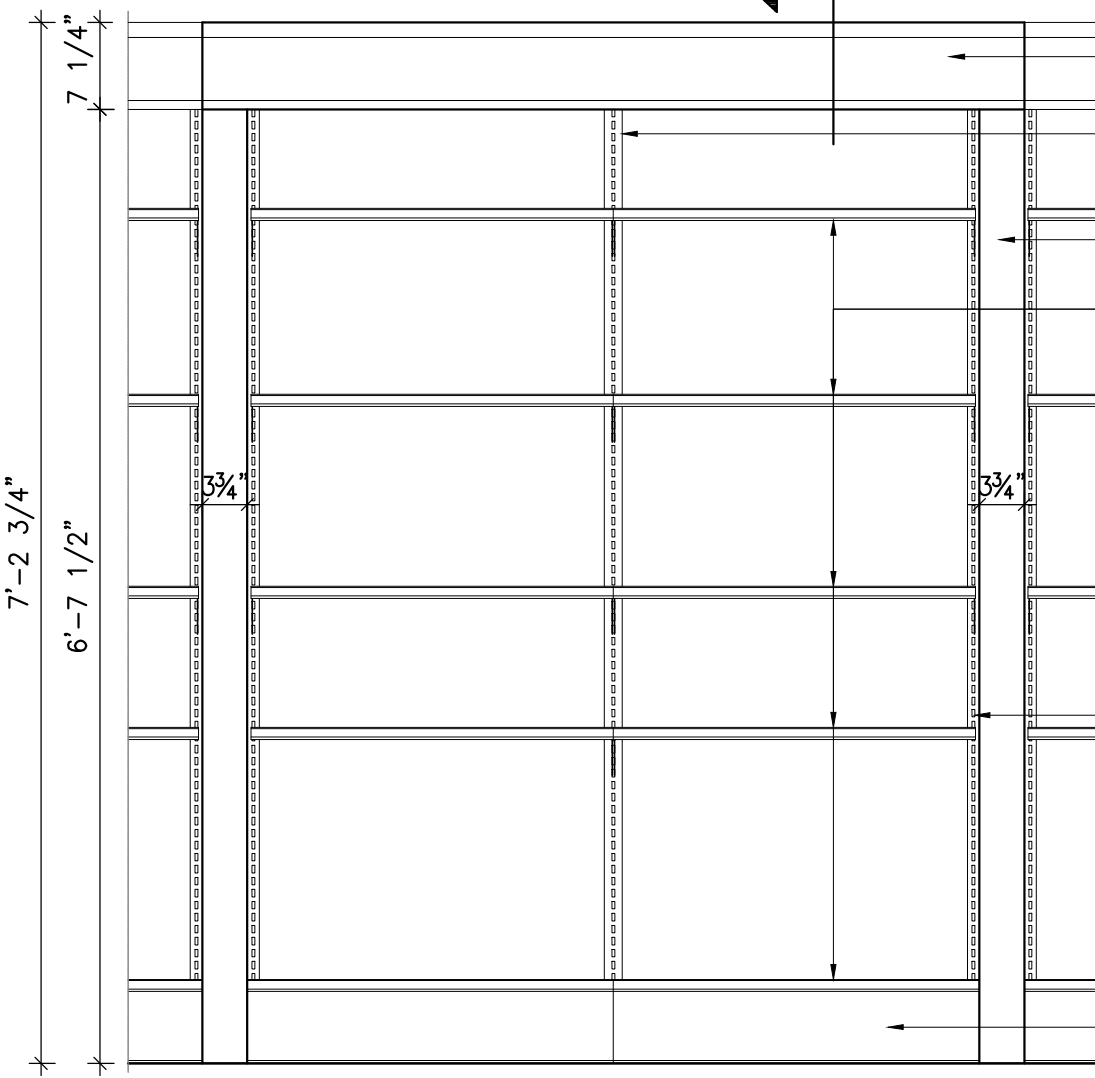
LCBO	700 SPECIALTY/PROTOTYPICAL/ATYPICAL	REVISION DATE	REV.	1 of 1	ISSUE DATE	STORE TYPE	STORE #
	STAFF ROOM DVD SHELF	2015 MAR23	12	F765	2021 APR		

RESERVED

LCBO	700 SPECIALTY/PROTOTYPICAL/ATYPICAL	REVISION DATE	REV.	1 of 1	ISSUE DATE	STORE TYPE	STORE #
		2017 NOV	15	F766-F768		2021 APR	



1 PLAN
F769
3/4" = 1'-0"



2 ELEVATION
F769
3/4" = 1'-0"

LENGTH MAY VARY

NOTE:
G.C. TO ENSURE METAL SHELVING IS IN EXACT ALIGNMENT W/ ADJACENT METAL SHELVING

CLEAR ANODIZED ALUMINUM POST FIN. NO. (65)
HEAVY DUTY METAL SHELVING C/W STRAIGHT & ANGLED METAL TICKET HOLDERS TO ACCOMODATE STANDARD LCBO 1" HIGH PAPER TICKETS AT ALL SHELVES (SEE DETAIL 4 & 5 THIS PAGE) ON H.D. METAL BRACKETS ALL IN FIN. NO. (24)
1/4" THK. OPAQUE ACRYLIC PANEL #PETG DTC BY BARBICAN ARCHITECTURAL PRODUCTS W/ 1/2" CLEAR ANODIZED ALUMINUM CHANNEL FIN. NO. (65)

6 F769
DOTTED LINES OF METAL SIGN BAND ABOVE TO MATCH FIN. NO. (65) MOUNTED ON FRICTION-FIT METAL FILLER STRIP FIN. NO. (24) BETWEEN POSTS (APPROXIMATELY 4" DP.) AT ALL SHELVES AND BASE

METAL SIGN BAND TO MATCH FIN. NO. (65) MOUNTED ON, SEE 3/F601 (SIM.)

4 1/8" x 1 1/2" x 7'-0" HIGH HEAVY DUTY SLOTTED METAL POST (SLOTS AT 1" O.C. TYP.) FIN. (24)

REMOV. CLEAR ANODIZED ALUMINUM FACING FIN. NO. (65)

HEAVY DUTY METAL SHELVING C/W STRAIGHT & ANGLED METAL TICKET HOLDERS TO ACCOMODATE STANDARD LCBO 1" HIGH PAPER TICKETS AT ALL SHELVES (SEE DETAIL 4 & 5 THIS PAGE) ON H.D. METAL BRACKETS ALL IN FIN. NO. (24)

1/4" THK. OPAQUE ACRYLIC PANEL #PETG DTC BY BARBICAN ARCHITECTURAL PRODUCTS W/ 1/2" CLEAR ANODIZED ALUMINUM CHANNEL FIN. NO. (65)

4 1/8" x 1 1/2" x 7'-0" HIGH HEAVY DUTY SLOTTED METAL POST (SLOTS AT 1" O.C. TYP.) FIN. (24)

ANGLED METAL TICKET HOLDER BY SHELVING CONTRACTOR TO ACCOMODATE STANDARD LCBO 1" PAPER TICKETS AT BASE (SEE DETAIL 4 THIS PAGE - SIMILAR)

RECESSED METAL BASE FIN. (17)

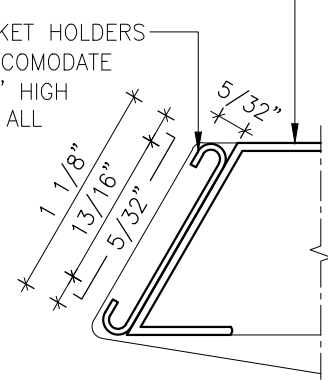
HEAVY DUTY LEVELLERS

3 SECTION
F769
3/4" = 1'-0"

HEAVY DUTY METAL SHELVING C/W ANGLED METAL TICKET HOLDERS ON H.D. METAL BRACKETS ALL IN FIN. NO. (24)

ANGLED METAL TICKET HOLDERS (20 GAUGE) TO ACCOMODATE STANDARD LCBO 1" HIGH PAPER TICKETS AT ALL SHELVES FIN.

NOTE: NO VISIBLE HOLES IN FRONT OF TICKET HOLDER

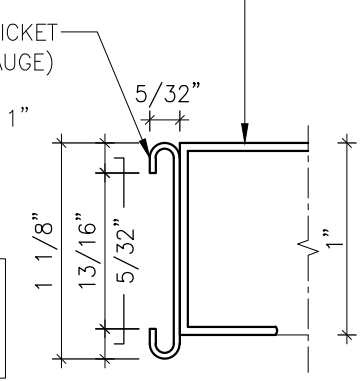


4 ANGLED METAL TICKET HOLDER DETAIL
F769 FULL SCALE

HEAVY DUTY METAL SHELVING C/W STRAIGHT METAL TICKET HOLDERS ON H.D. METAL BRACKETS ALL IN FIN. NO. (24)

ANGLED METAL TICKET HOLDERS (20 GAUGE) TO ACCOMODATE STANDARD LCBO 1" HIGH PAPER TICKETS AT ALL SHELVES FIN.

NOTE: NO VISIBLE HOLES IN FRONT OF TICKET HOLDER



5 STRAIGHT METAL TICKET HOLDER DETAIL
F769 FULL SCALE

NOTE: ALL 1" METAL TICKET HOLDERS TO RECEIVE 1 3/4" PLASTIC TICKET HOLDER INSERT TO SPAN LENGTH OF SHELF SECTION

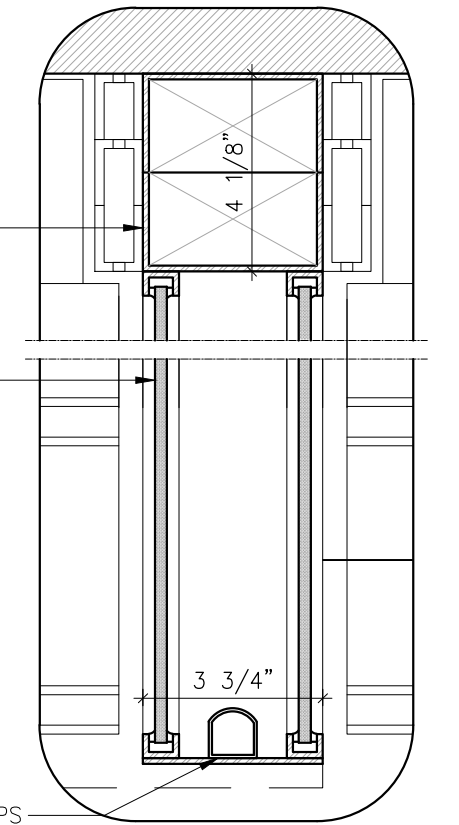
CLEAR ANODIZED ALUMINUM CLAD POST FIN. NO. (65)

1/4" THK. OPAQUE ACRYLIC PANEL #PETG DTC BY BARBICAN ARCHITECTURAL PRODUCTS W/ 1/2" CLEAR ANODIZED ALUMINUM CHANNEL FIN. NO. (65)

6 1/2" HIGH BREAK-FORM METAL SIGN BAND FIN. SUPPLIED + INSTALLED BY GC TO ACCOMMODATE 6 3/8" HIGH SIGN CARD, MOUNTED TO METAL BRACKET BY METAL SHELVING SUPPLIER ALSO IN FIN. NO. (24)

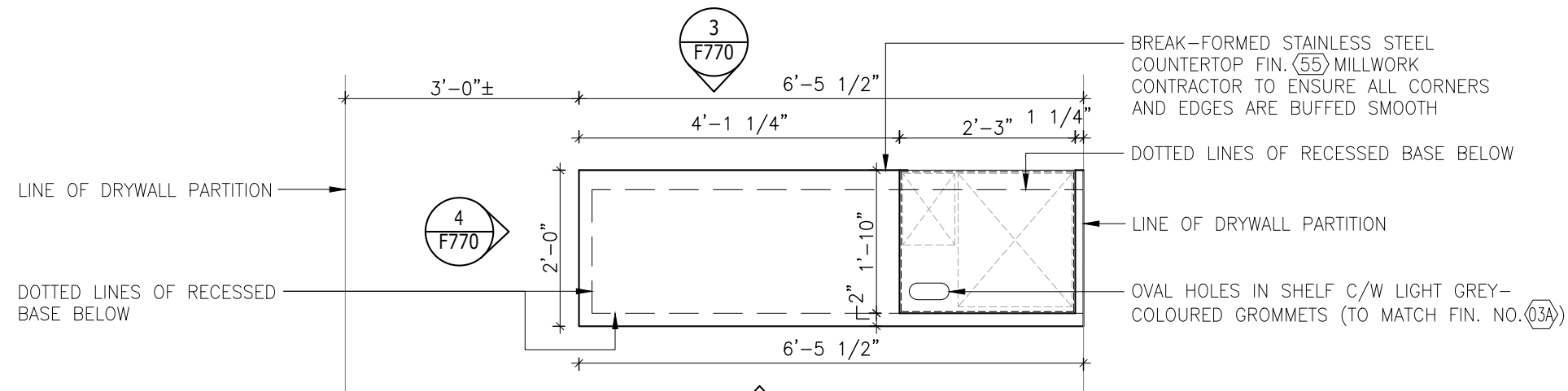
(6) - 12" LED LIGHT STRIPS MOUNTED TO BACKSIDE OF REMOV. CLEAR ANODIZED ALUMINUM PANEL LED LIGHTSTRIPS BY TECHNILITE: LENGTH=12" OUTPUT=2.4 WATTS / 97 LUMENS PER FT. COLOUR TEMP. 3200°K DURATION: 50,000 HRS

6 DETAIL
F769
3" = 1'-0"

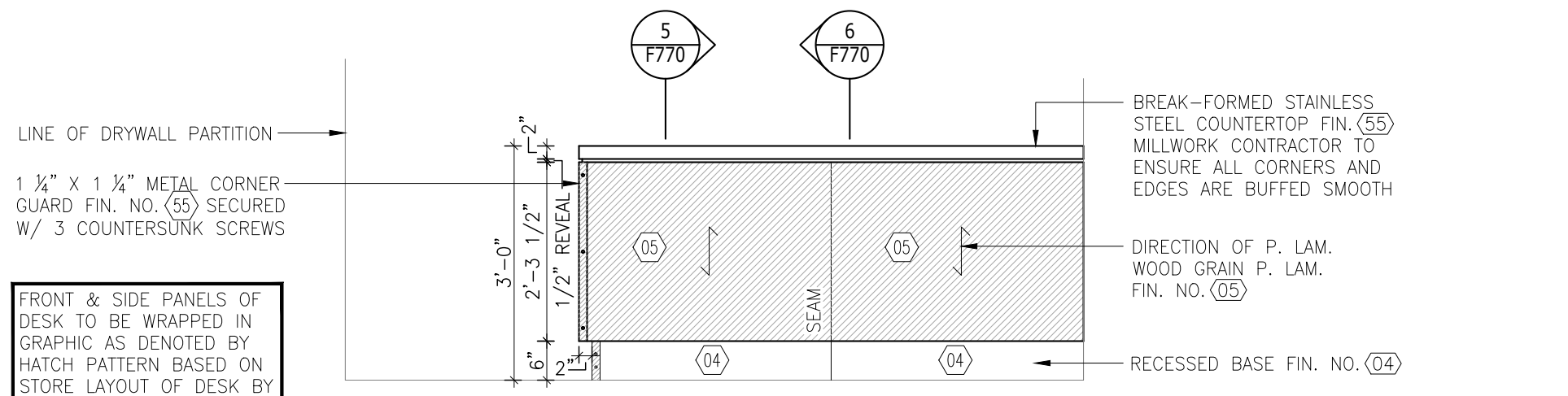


NOTE: G.C. TO ADVISE RE: METHOD OF REMOVAL OF FACE CAP FOR RELAMPING PURPOSES

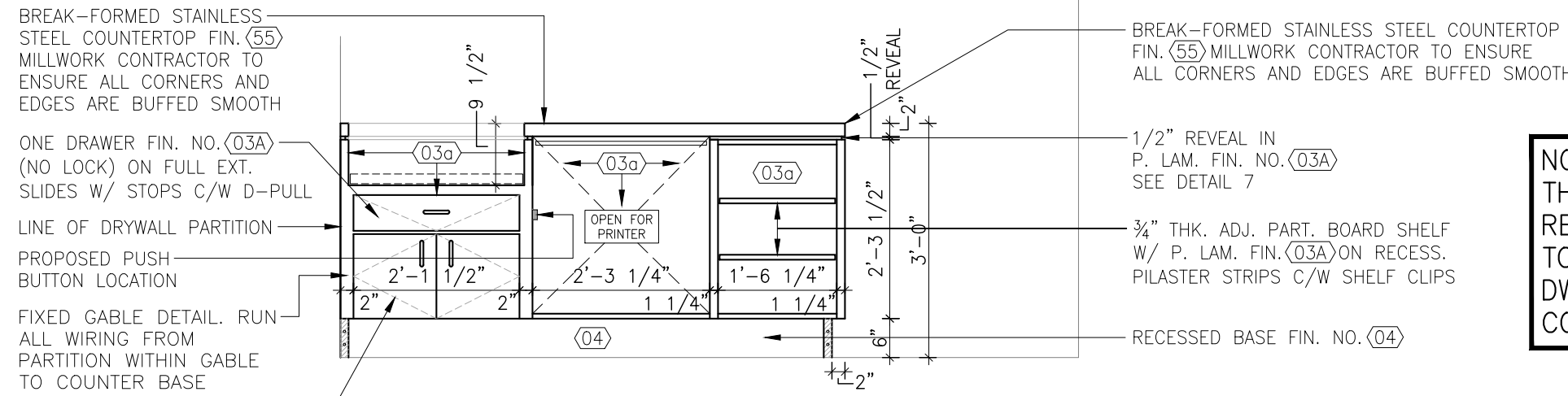
LCBO	700 SPECIALTY/PROTOTYPE/ATYPICAL	REVISION DATE	REV.	1 of 1	ISSUE DATE	STORE TYPE	STORE #
	WALK-IN COLDROOM FEATURE	2016 JAN08	13	F769	2021 APR		



1
F770
PLAN
1/2" = 1'-0"



2
F770
ELEVATION
1/2" = 1'-0"

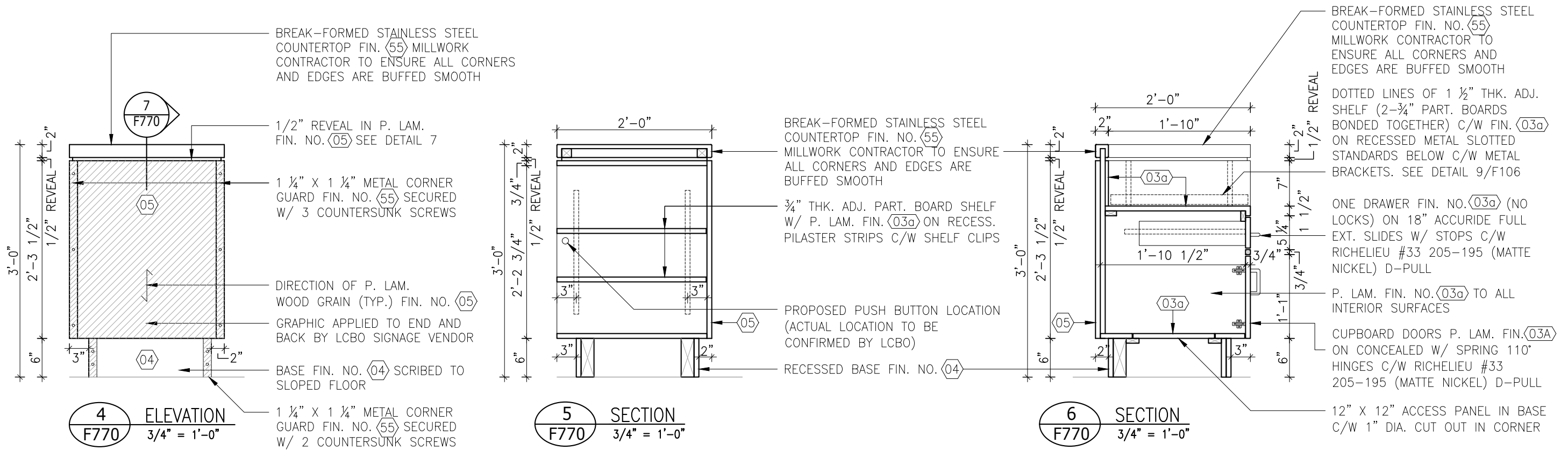


3
F770
ELEVATION
1/2" = 1'-0"

FRONT & SIDE PANELS OF DESK TO BE WRAPPED IN GRAPHIC AS DENOTED BY HATCH PATTERN BASED ON STORE LAYOUT OF DESK BY LCBO SIGNAGE VENDOR

NOTE:
THIS DRAWING FOR REFERENCE ONLY. REFER TO PROJECT SPECIFIC ARCH. DWGS. FOR ACTUAL CONFIGURATION.

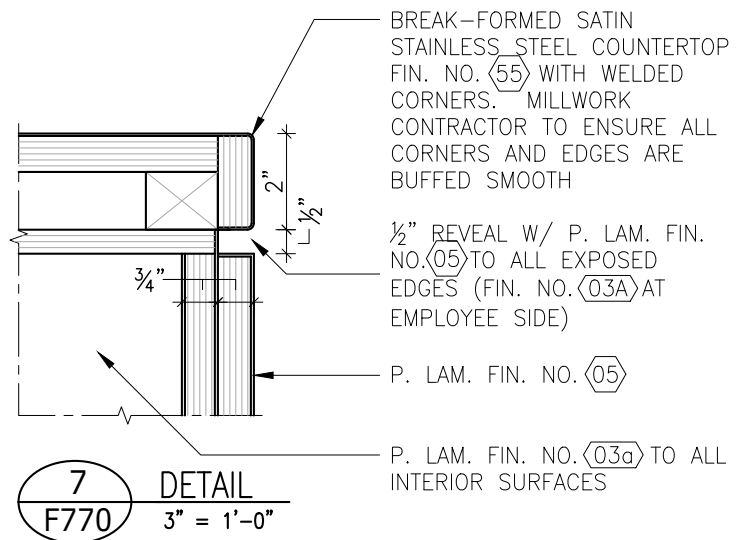
LCBO	700 SPECIALTY/PROTOTYPICAL/ATYPICAL	REVISION DATE	REV.	1 of 2	ISSUE DATE	STORE TYPE	STORE #
	'PICK-UP' SERVICE COUNTER	2019 APR	16	F770	2021 APR		



4 ELEVATION
F770 3/4" = 1'-0"

5 SECTION
F770 3/4" = 1'-0"

6 SECTION
F770 3/4" = 1'-0"



7 DETAIL
F770 3" = 1'-0"

GENERAL NOTES:

- BASE & STRUCTURAL COMPONENTS TO BE 3/4" PLYWOOD CONSTRUCTION WITH DESIGNATED FINISH.
- DRAWERS TO BE CONSTRUCTED OF SOLID 1/2" BALTIC BIRCH W/ CLEAR LACQUER FINISH.
- ALL OTHER CONSTRUCTION TO BE 3/4" PARTICLE BOARD WITH DESIGNATED FINISH UNLESS NOTED OTHERWISE.
- ALL EDGES & CORNERS OF SATIN STAINLESS STEEL COUNTERTOP TO BE WELDED AND BUFFED SMOOTH.
- ALL SCREWS IN METAL CORNER GUARDS TO MATCH FINISH OF CORNER GUARD/TRIM AND BE COUNTERSUNK. ALL SHARP EDGES TO BE MADE SMOOTH TO ENSURE SAFETY OF CUSTOMERS AND STAFF.
- NO VISIBLE SEAMS IN P. LAM. PERMITTED (UNLESS SPECIFICALLY NOTED ON SHOP DRAWINGS FOR REVIEW AND APPROVAL)
- SUBMIT SHOP DRAWINGS FOR APPROVAL PRIOR TO FABRICATION

IT REQUIREMENTS:

LCBO IT WILL REQUIRE THE FOLLOWING AT THIS LOCATION:

- ONE (1) VOICE DROP
- THREE (3) DATA DROPS (FOR THE POS REGISTER, PRINTER AND COMPUTER)
- FOUR (4) ISOLATED GROUND DUPLEX POWER OUTLETS

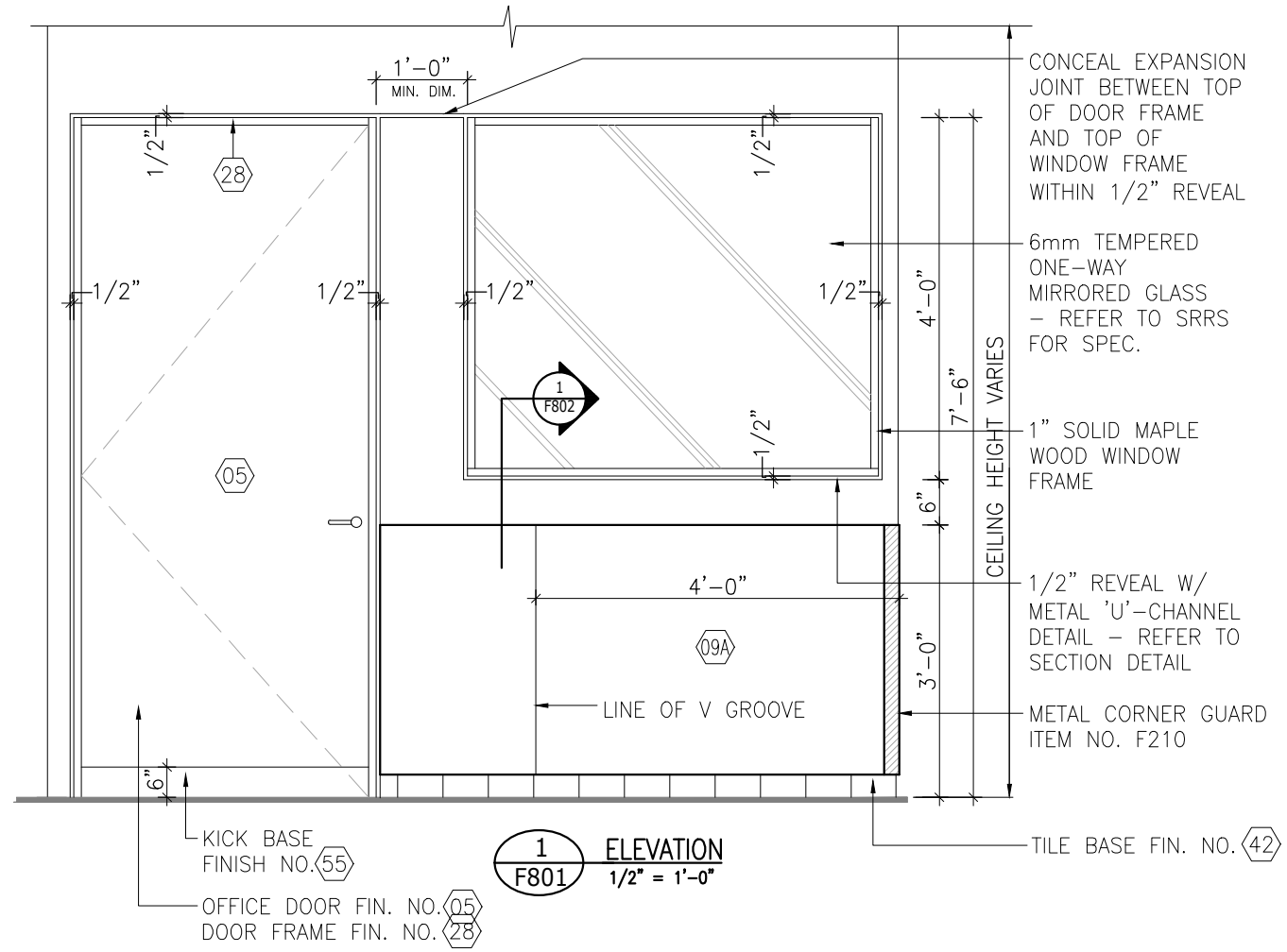
IT EQUIPMENT TO BE INSTALLED:

- 1 COMPLETE POS REGISTER WITH TWO CASH DRAWERS AND ATTACHED CASH RECEIPT PRINTER
- 1 DS9808 CHECKOUT SCANNER GUN ATTACHED TO THE POS REGISTER
- 1 POSPAD(DEBIT MACHINE) ATTACHED TO THE POS REGISTER
- 1 LEXMARK M3150 PRINTER WITH ADDITIONAL 250 SHEET TRAY.
- 1 AUXILIARY CONSOLE COMPUTER
- 2 NEW CLICK AND COLLECT IPHONE SCANNER GUNS WITH POWER CHARGING BASE UNITS

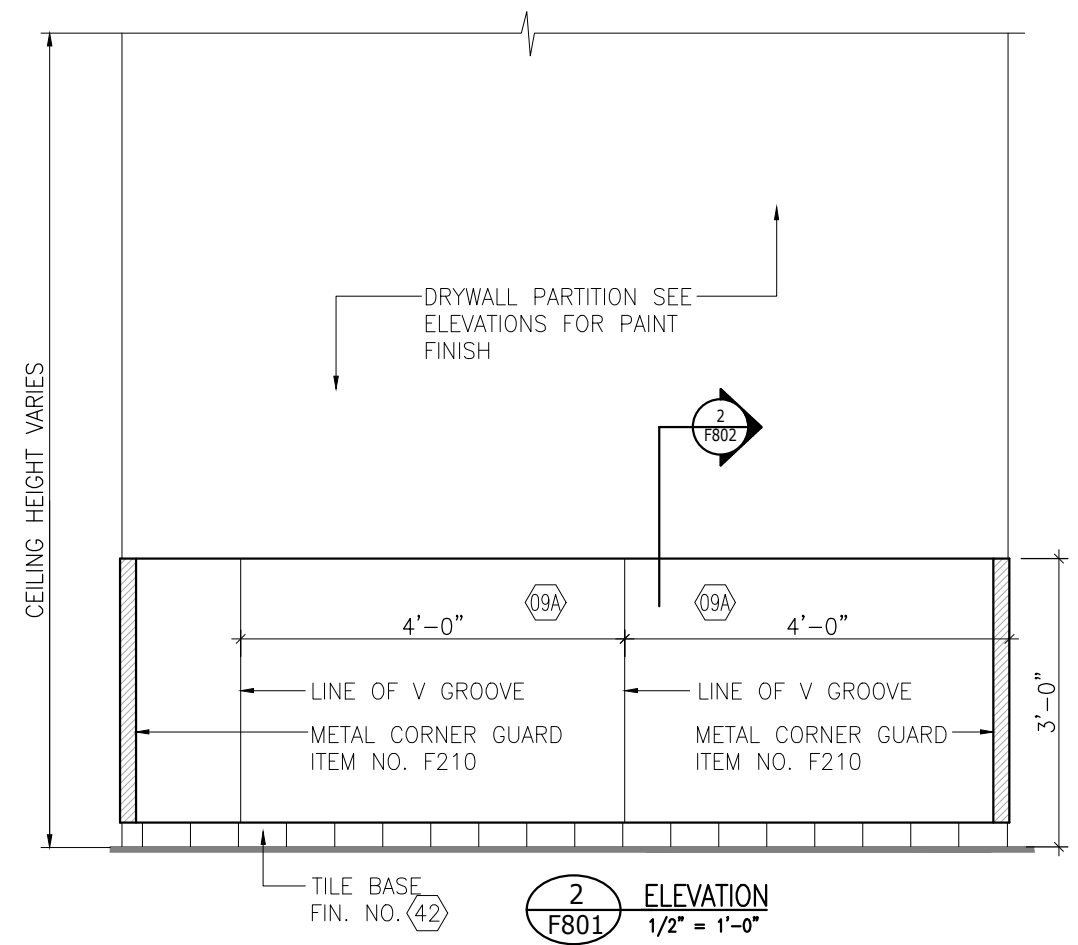
LCBO	700 SPECIALTY/PROTOTYPICAL/ATYPICAL	REVISION DATE	REV.	2 of 2	ISSUE DATE	STORE TYPE	STORE #
	'PICK-UP' SERVICE COUNTER	2019 APR	16	F770	2021 APR		

RESERVED

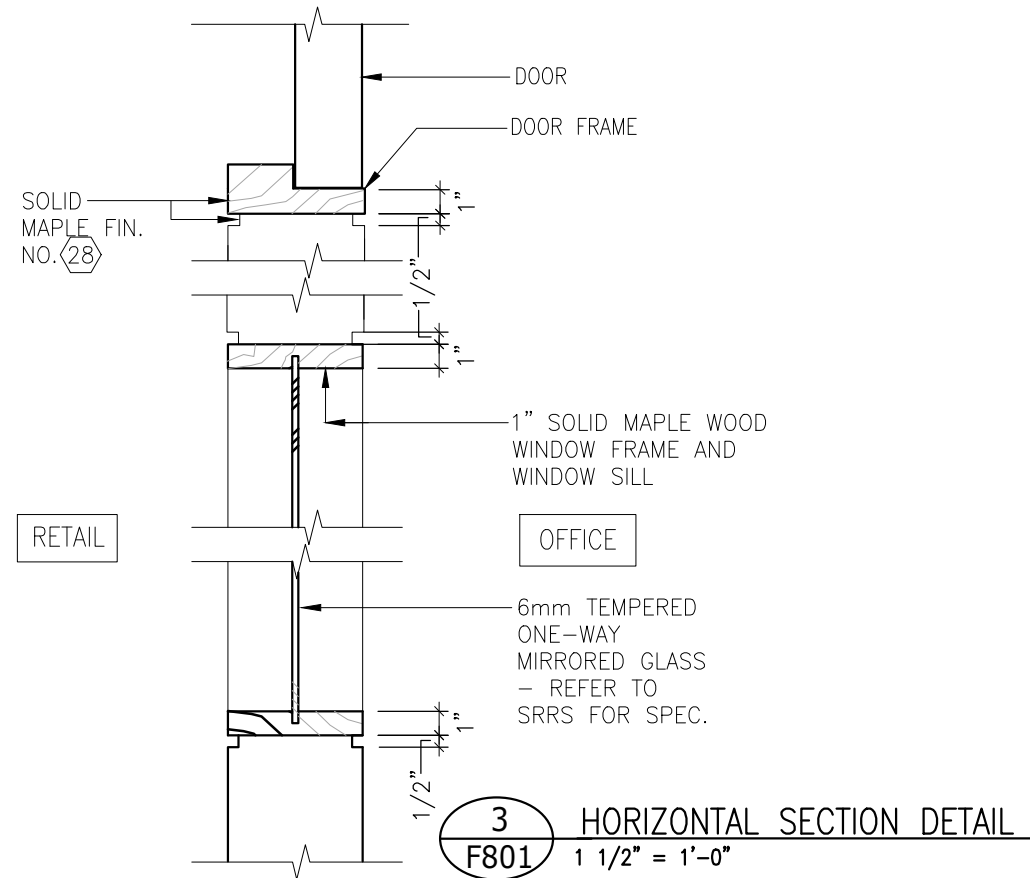
LCBO	700 SPECIALTY/PROTOTYPICAL/ATYPICAL	REVISION DATE	REV.	1 of 1	ISSUE DATE	STORE TYPE	STORE #
		2019 APR	16	F771-F784		2021 APR	



1 ELEVATION
F801 1/2" = 1'-0"

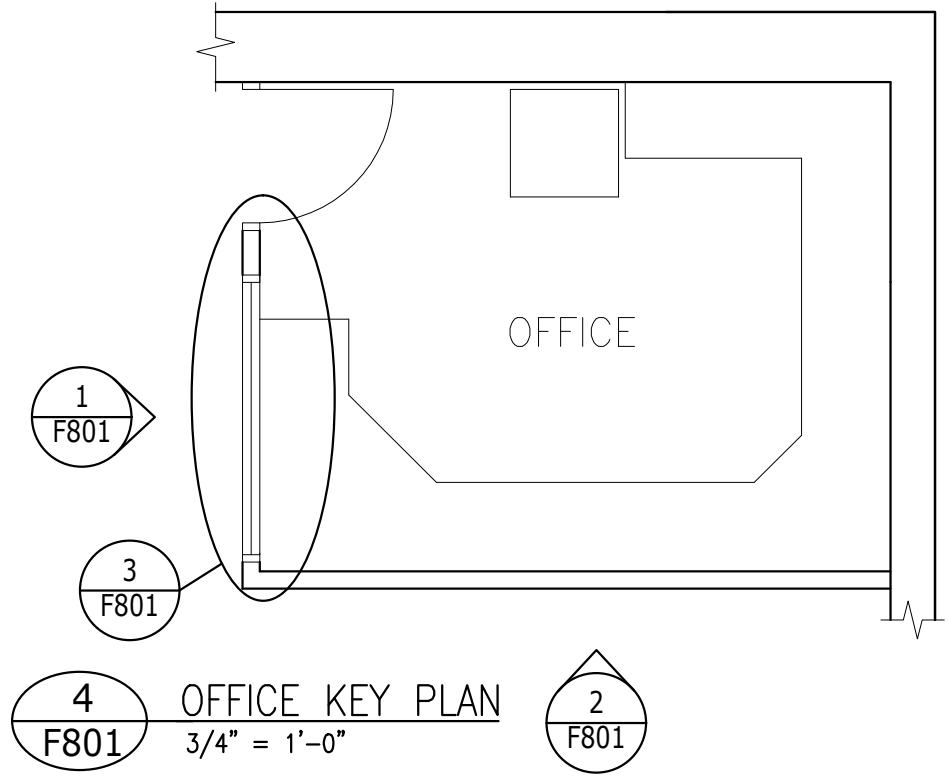


2 ELEVATION
F801 1/2" = 1'-0"



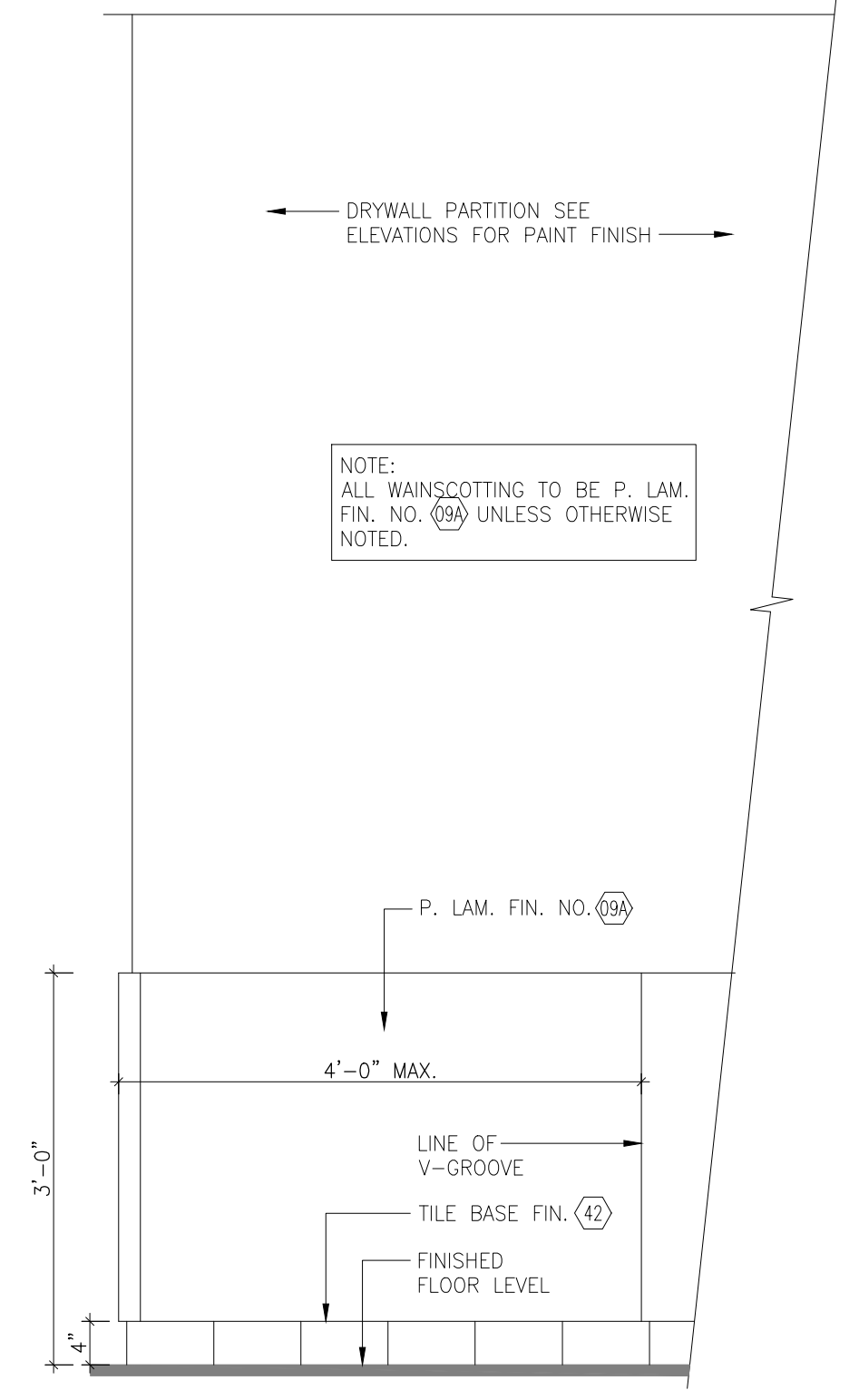
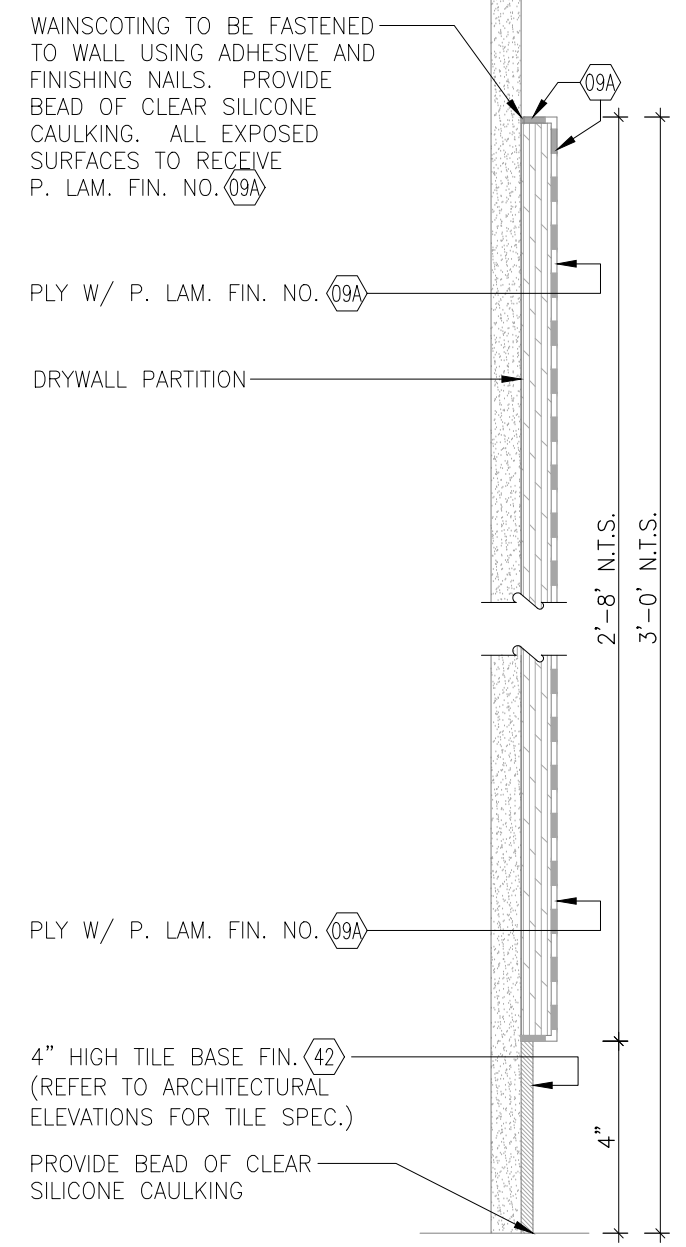
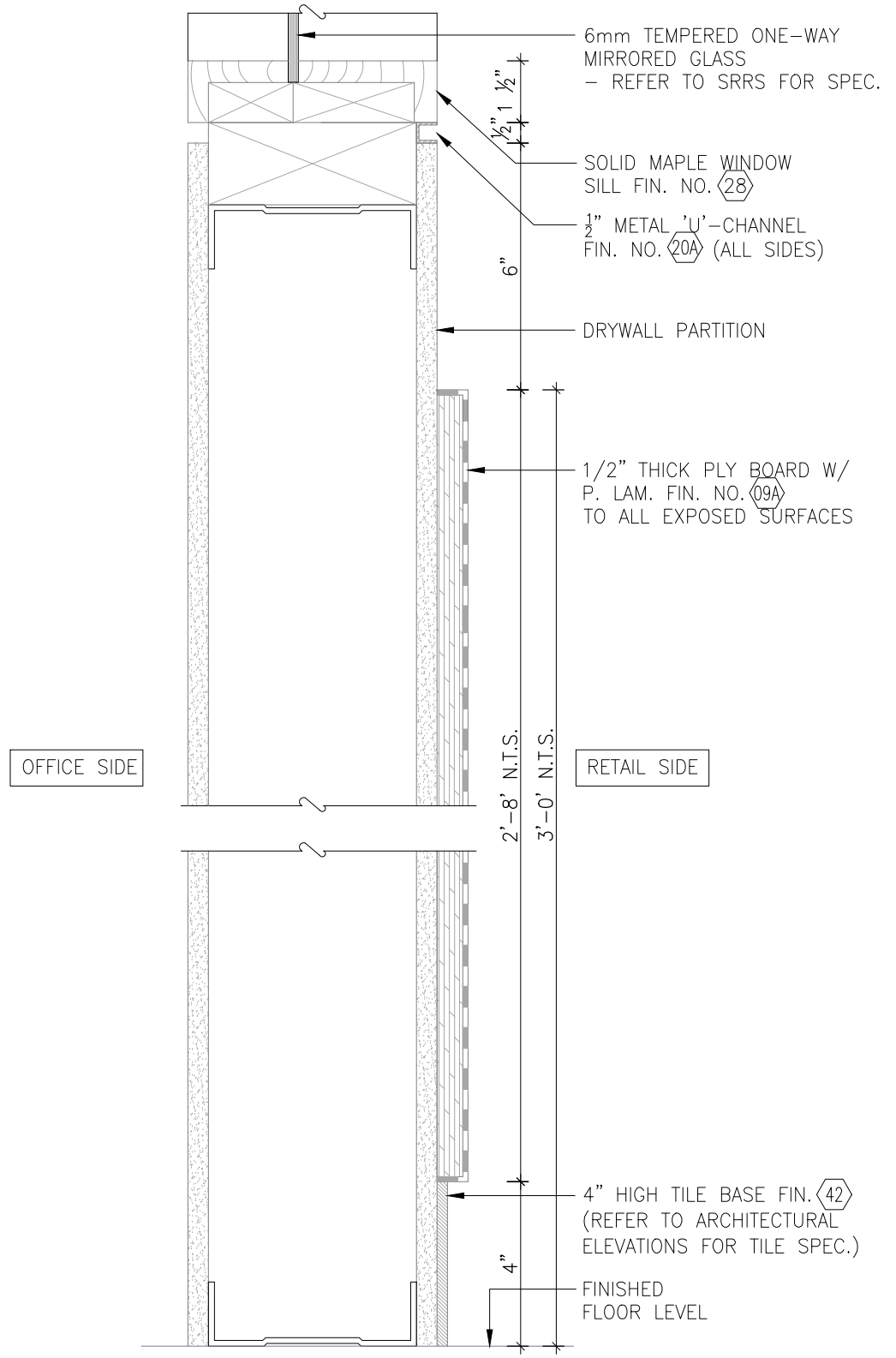
3 HORIZONTAL SECTION DETAIL
F801 1 1/2" = 1'-0"

GENERAL NOTES:
G.C. TO PROVIDE AND INSTALL KEYBOARD TRAYS AND PEDESTAL UNITS. REFER TO PROJECT SPECIFICATION BOOK.
MANAGER'S OFFICE LAYOUT VARIES. REFER TO ARCHITECTURAL DRAWINGS FOR OVERALL DIMENSIONS.



4 OFFICE KEY PLAN
F801 3/4" = 1'-0"

LCBO	800 OFFICE/SERVICES	REVISION DATE	REV.	1 of 1	ISSUE DATE	STORE TYPE	STORE #
	OFFICE GLAZING	2019 APR	16	F801	2021 APR		



1 F802 TYPICAL SECTION THROUGH OFFICE GLAZING N.T.S.

2 F802 TYPICAL SECTION THROUGH WAINSCOTING N.T.S.

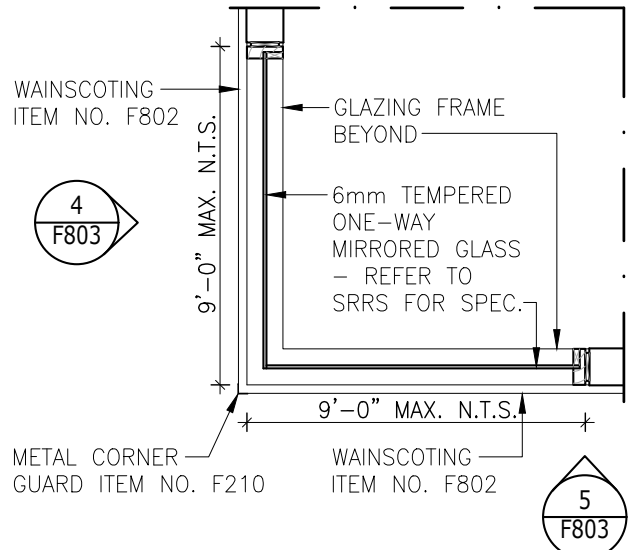
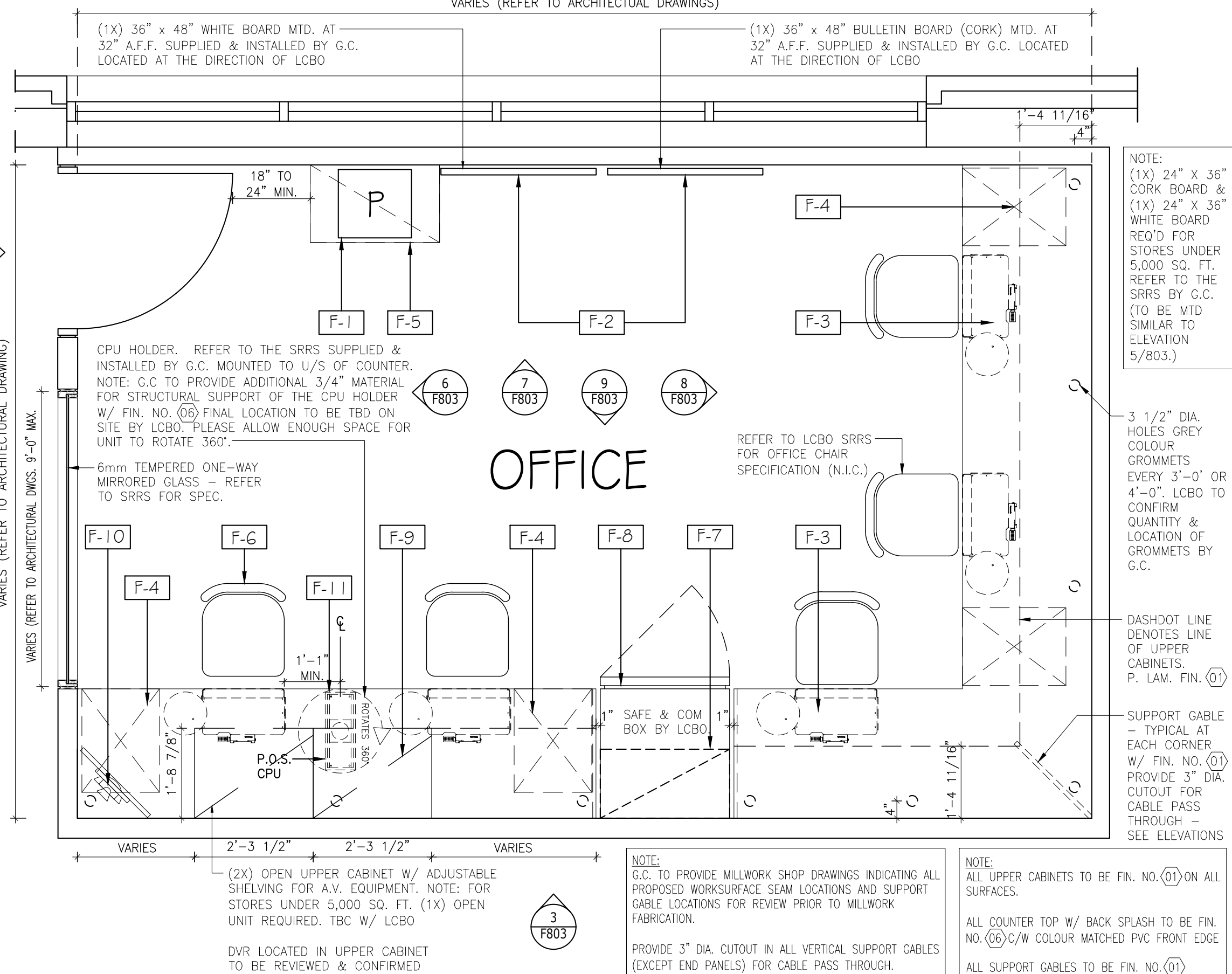
3 F802 ELEVATION DETAIL OF WAINSCOTING SCALE: 3/4"=1'-0"

LCBO	800 OFFICE/SERVICES	REVISION DATE	REV.	1 of 1	ISSUE DATE	STORE TYPE	STORE #
	TYPICAL OFFICE & WAINSCOTING DETAIL	2019 APR	16	F802	2021 APR		

VARIES (REFER TO ARCHITECTUAL DRAWINGS)

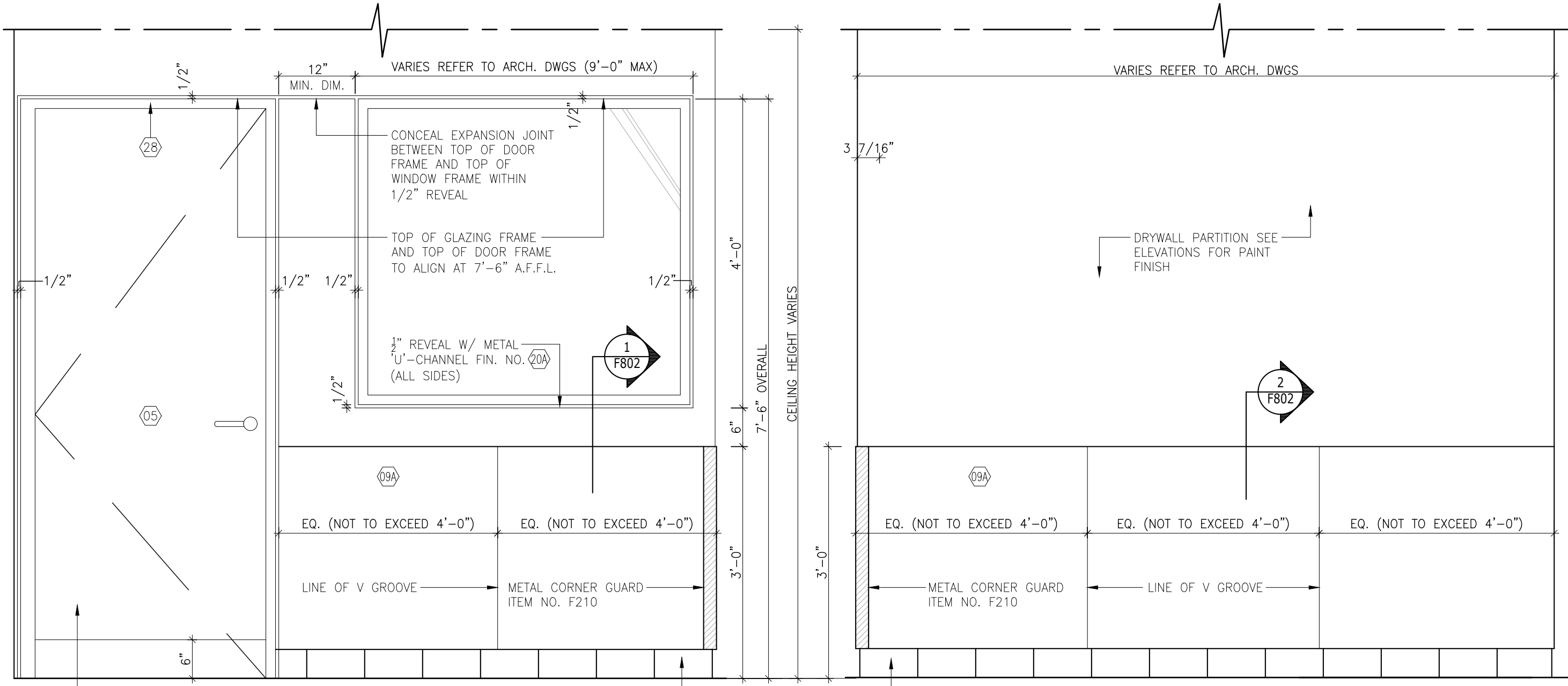
LEGEND

ITEM NO.	DESCRIPTION
F-1	PRINTER SUPPLIED BY LCBO. FAX LINE TO BE PROVIDED BY G.C.
F-2	(1X) 36" x 48" BULLETIN BOARD & (1X) 36" x 48" WHITE BOARD SUPPLIED & INSTALLED BY G.C. LOCATION TO BE DETERMINED ON SITE AT LCBO'S DIRECTION.
F-3	ADJUSTABLE KEYBOARD TRAY SUPPLIED & INSTALLED BY G.C. (REFER TO SRRS)
F-4	SINGLE PEDESTAL FILE CABINET SUPPLIED & INSTALLED BY G.C. (REFER TO SRRS) SEE PLAN FOR QUANTITY
F-5	2 DR. LATERAL FILE CABINET SUPPLIED & INSTALLED BY G.C. (REFER TO SRRS)
F-6	TASK CHAIR SUPPLIED & INSTALLED BY G.C. (REFER TO SRRS) SEE PLAN FOR QUANTITY
F-7	COMBOX ABOVE SAFE SUPPLIED & INSTALLED BY OTHERS.
F-8	SAFE SUPPLIED & INSTALLED BY OTHERS
F-9	(2X) OPEN SHELVING CABINET (NO DOORS) (MIN. INTERIOR DIM. 2'-2" W X 1'-7 1/4" D) ABOVE COUNTER SUPPLIED & INSTALLED BY G.C. NOTE: FOR STORES UNDER 5,000 SQ.FT. (1X) OPEN UNIT REQ'D.
F-10	NVR MONITOR SUPPLIED & INSTALLED BY LCBO.
F-11	(1X) CPU HOLDERS FOR THE P.O.S CPU SECURED TO THE U/S OF THE COUNTER (REFER TO SRRS) SUPPLIED & INSTALLED BY G.C. FINAL LOCATIONS TO BE DETERMINED ON SITE. NOTE: (1X) B.O.S. CPU & (1X) BACK OFFICE SERVER WILL SIT ON COUNTER BY LCBO



1a ALTERNATE CORNER GLAZING DETAIL
F803 1/2" = 1'-0"

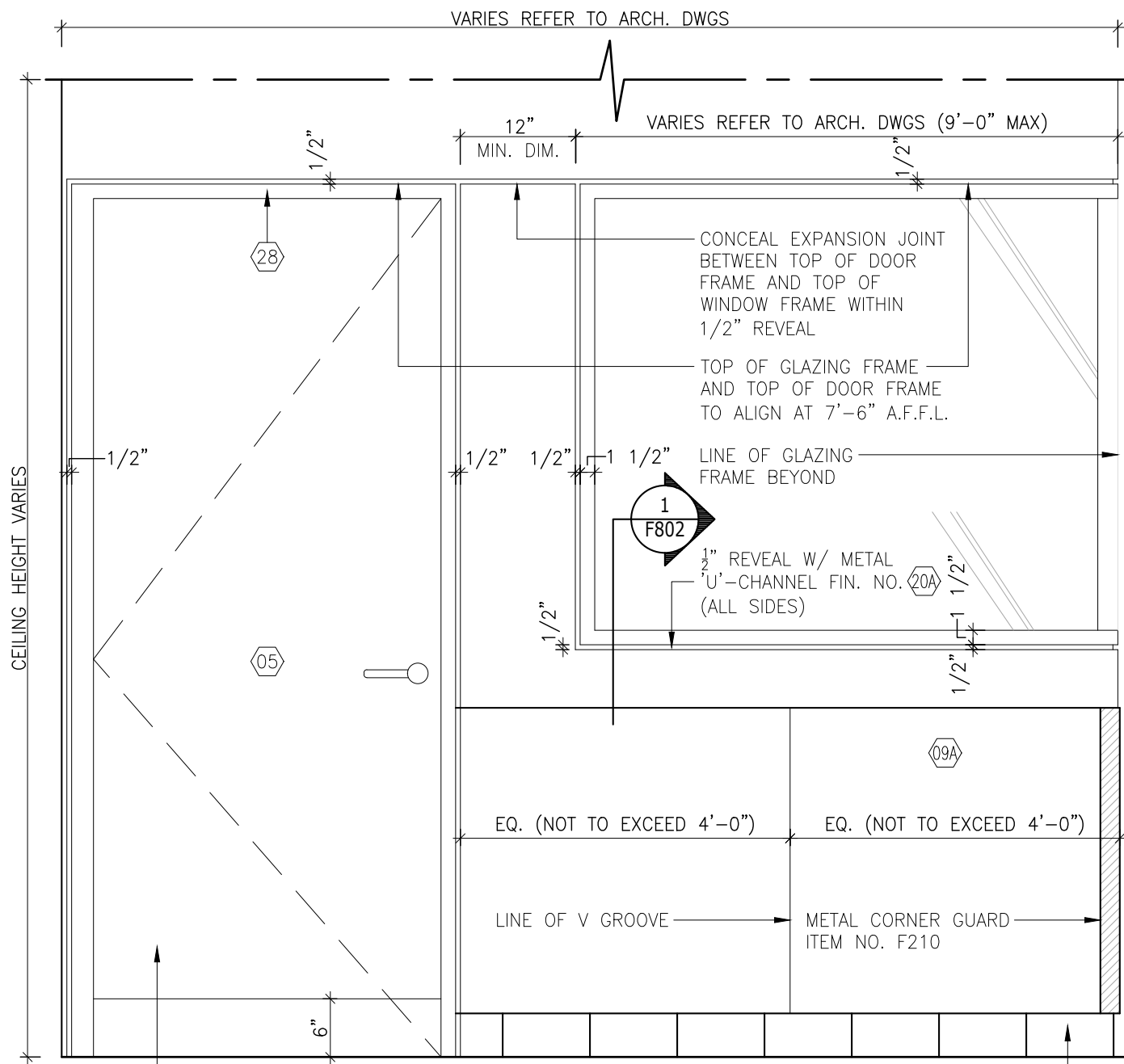
1 TYPICAL OFFICE PLAN
F803 1/2" = 1'-0"



2 ELEVATION
F803 3/4" = 1'-0"

3 ELEVATION
F803 3/4" = 1'-0"

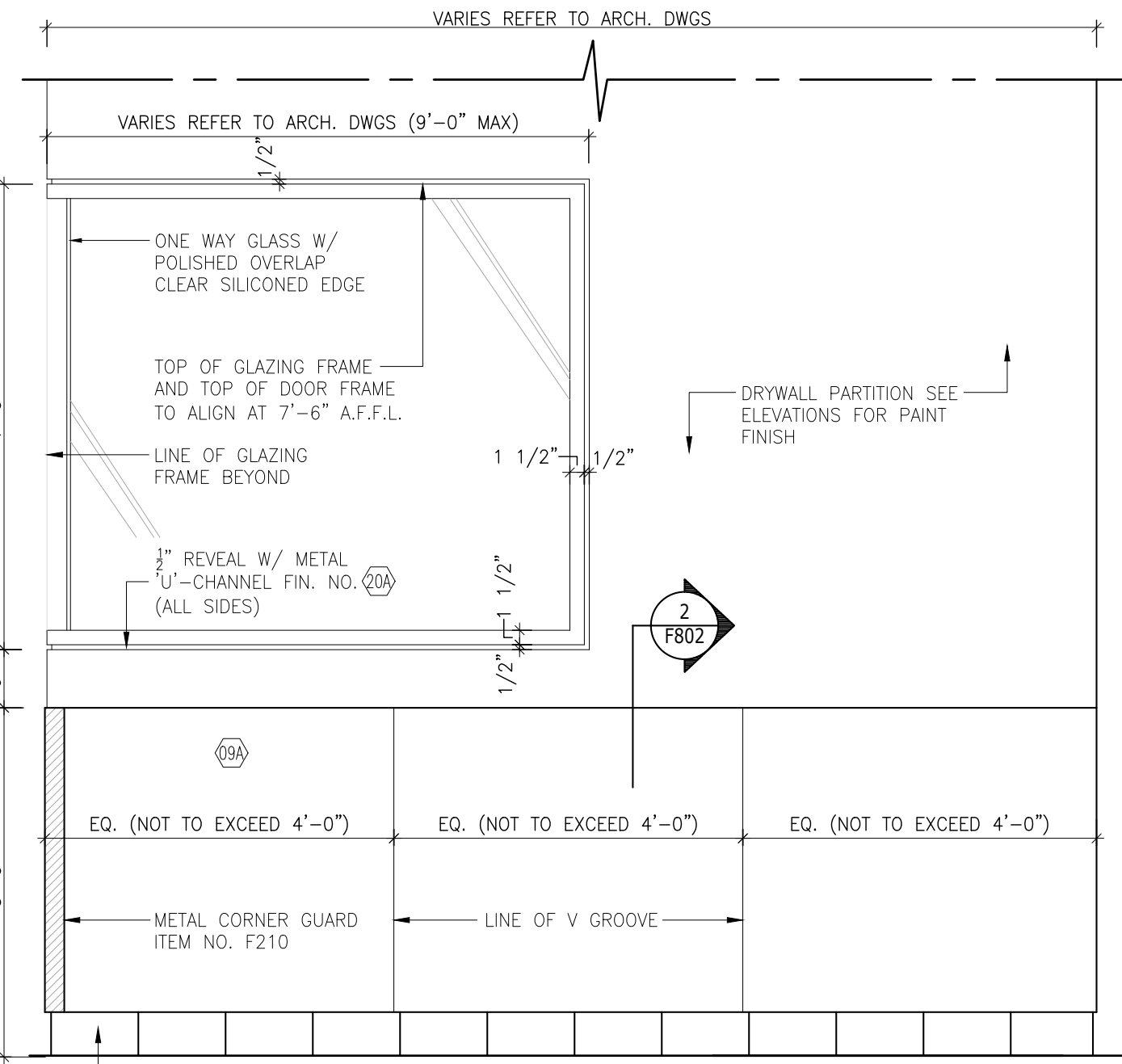
LCBO	800 OFFICE/SERVICES	REVISION DATE	REV.	2 of 7	ISSUE DATE	STORE TYPE	STORE #
	MANAGER'S OFFICE MILLWORK	2019 APR	16	F803	2021 APR		



CEILING HEIGHT VARIES

OFFICE DOOR FIN. NO. 05
 W/ 6" HIGH SATIN
 STAINLESS STEEL
 KICKBASE FIN. NO. 55
 & WOOD DOOR FRAME
 FIN. NO. 28

4 ELEVATION
 F803 3/4" = 1'-0"



TILE BASE
 FIN. NO. 42

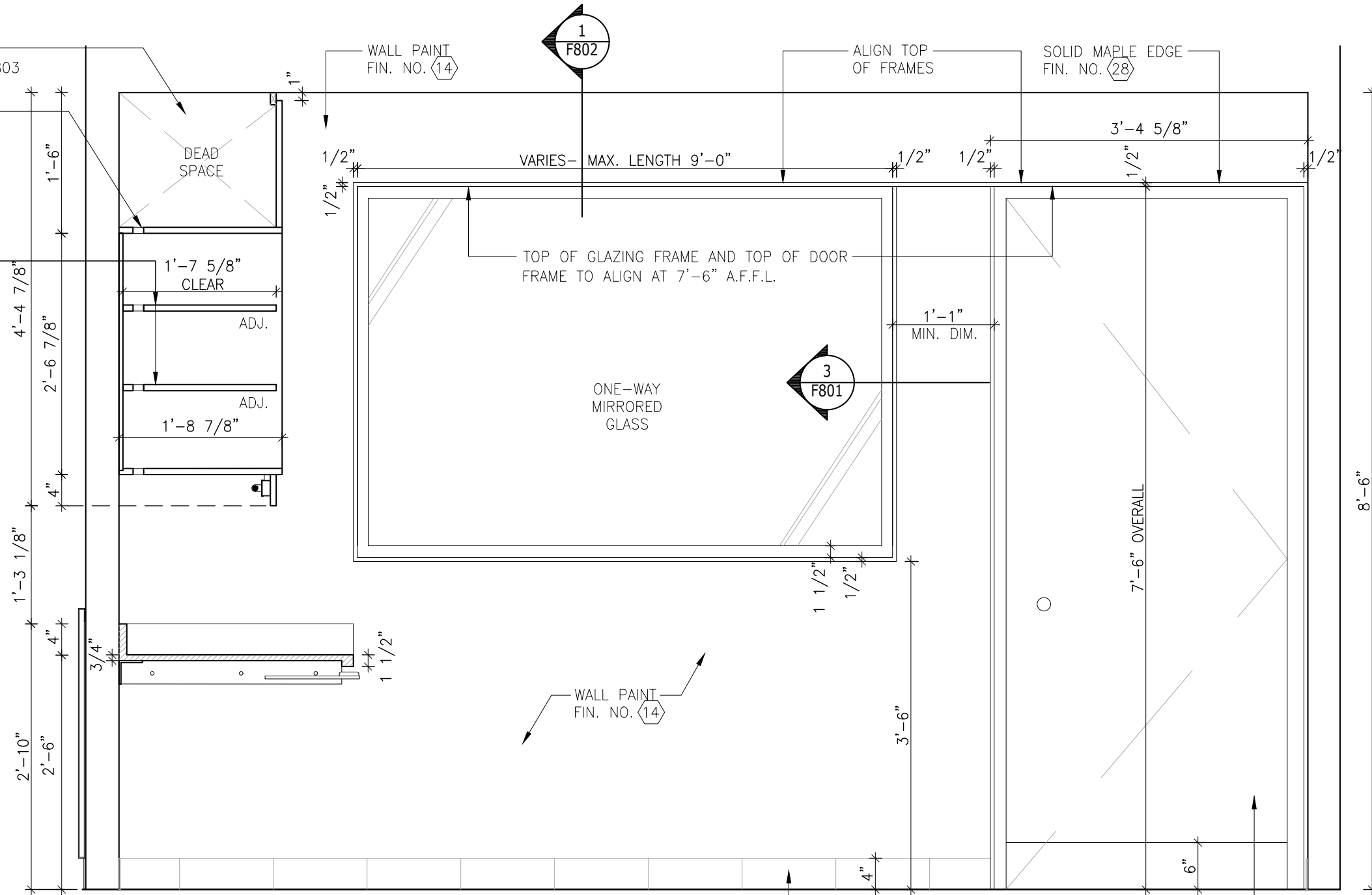
5 ELEVATION
 F803 3/4" = 1'-0"

LCBO	800 OFFICE/SERVICES	REVISION DATE	REV.	3 of 7	ISSUE DATE	STORE TYPE	STORE #
	MANAGER'S OFFICE MILLWORK	2019 APR	16	F803	2021 APR		

OPEN ABOVE A.V. CABINET
REFER TO ELEVATION 11/F803

PROVIDE A ROW OF 1" DIA. CIRCULAR VENT HOLES SPACED 6" O.C. ALONG ENTIRE LENGTH OF A.V. CABINET

ADJ. SHELVES MELAMINE FINISH TO MATCH FIN. NO. 01 C/W 1"W. X 8"L. CUTOUT AT BACK OF SHELF FOR VENTILATION



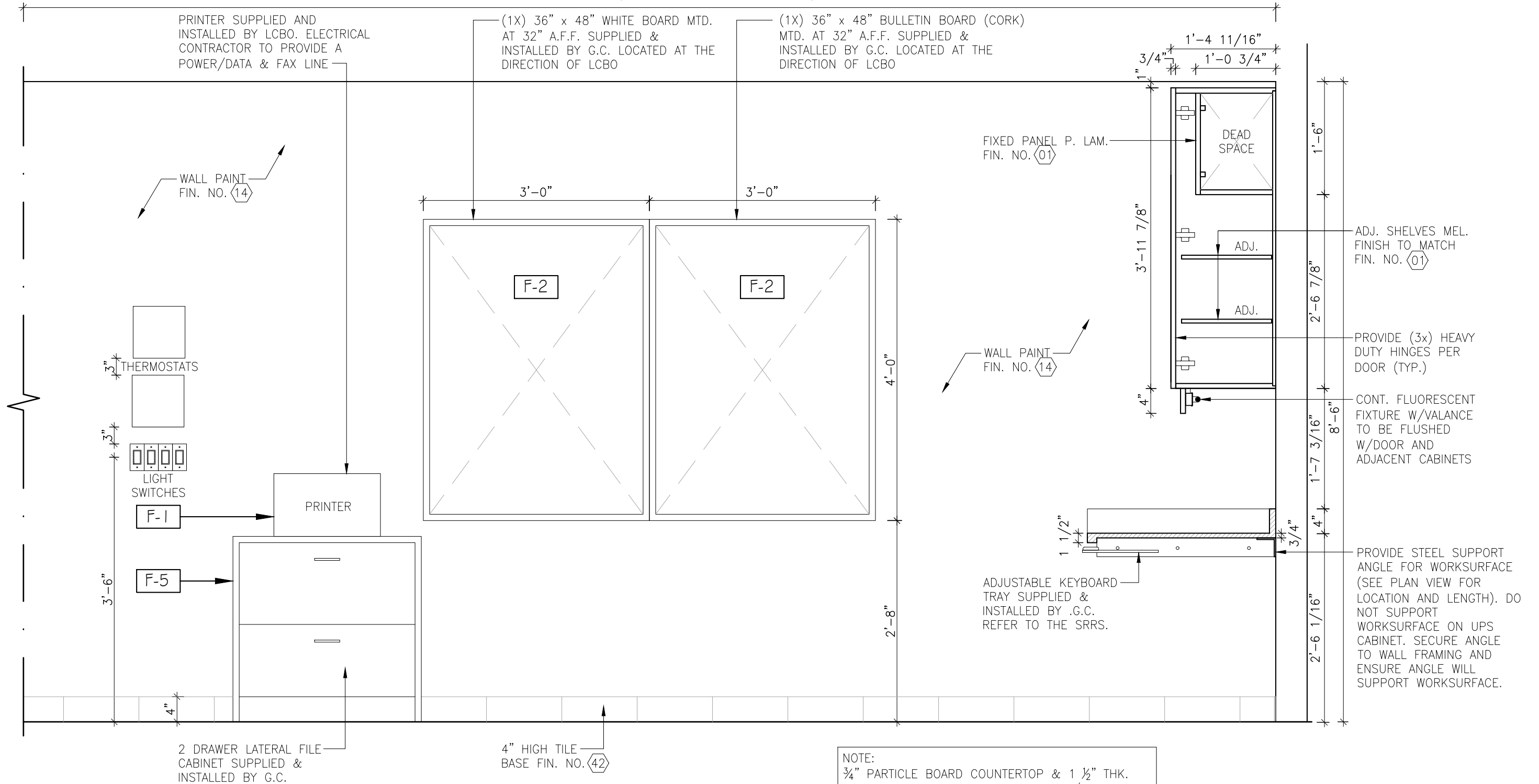
6 TYPICAL ELEVATION
F803 3/4" = 1'-0"

4" HIGH TILE BASE
FIN. NO. 42

OFFICE DOOR FIN. NO. 05
W/ 6" HIGH SATIN
STAINLESS STEEL
KICKBASE FIN. NO. 55
& WOOD DOOR FRAME
FIN. NO. 28

LCBO	800 OFFICE/SERVICES	REVISION DATE	REV.	4 of 7	ISSUE DATE	STORE TYPE	STORE #
	MANAGER'S OFFICE MILLWORK	2019 APR	16	F803	2021 APR		

VARIES (REFER TO ARCHITECTURAL DWGS)



7 TYPICAL ELEVATION
 F803 3/4" = 1'-0"

LCBO	800 OFFICE/SERVICES	REVISION DATE	REV.	5 of 7	ISSUE DATE	STORE TYPE	STORE #
	MANAGER'S OFFICE MILLWORK	2017 NOV	15	F803	2021 APR		

NOTE:
 CABINETS DOORS TO BE INDUSTRY
 STANDARD SIZES 12", 15", 18"
 ADD FILLERS WHERE NEEDED.
 CABINET DOORS SHOULD NOT
 EXCEED 18" WIDE.

CABINET LOCKS BY HAFELE:
 LOCK CORE - 210.04.615
 (POLISHED NICKEL)
 CAM LOCK BODY - 235.08.303
 CYLINDER ROSETTE - 210.04.062

"D" WIRE PULL
 FIN. TO MATCH (55)

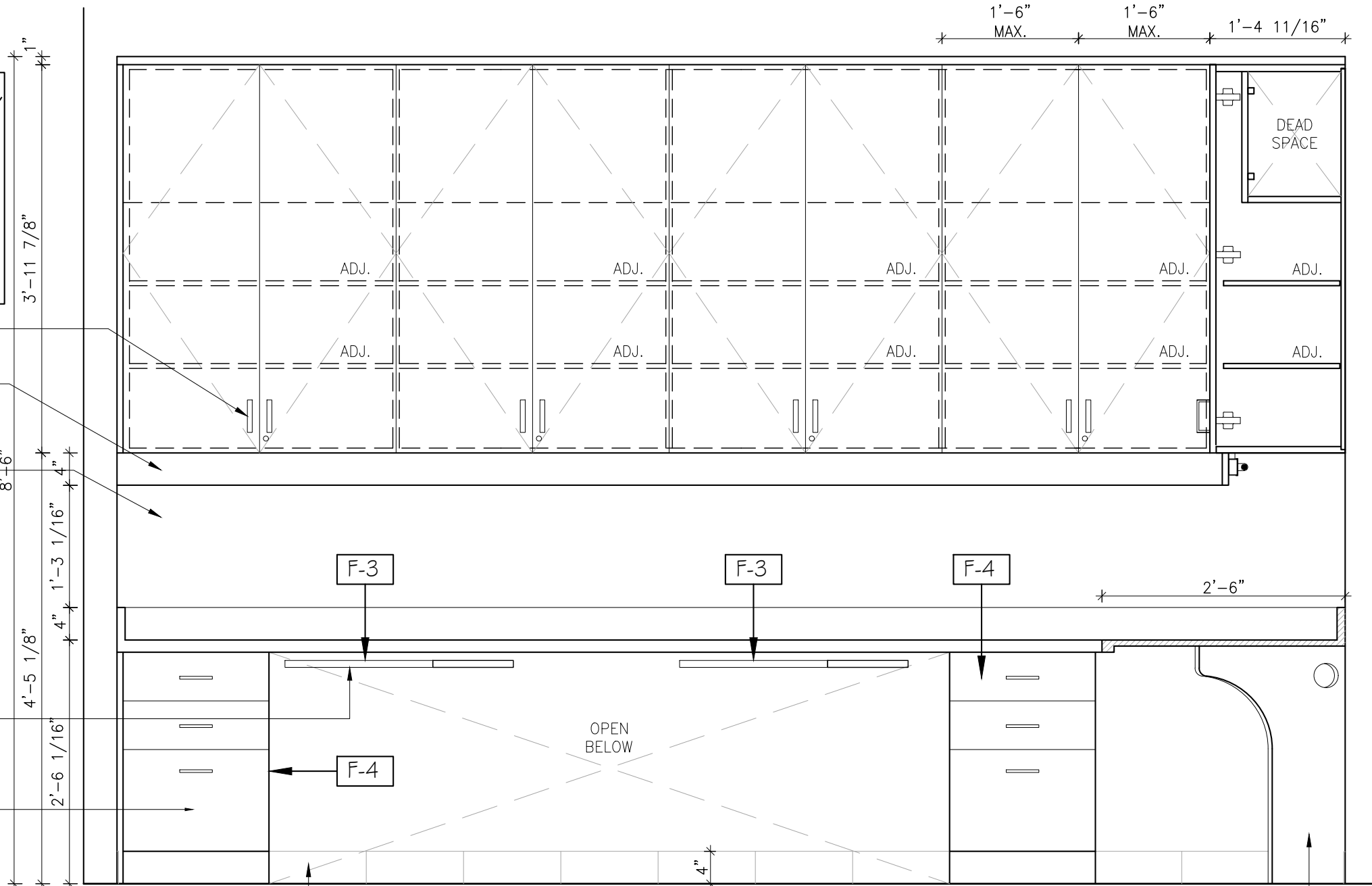
CONTINUOUS FLUORESCENT
 FIXTURE - VALANCE TO BE
 FLUSHED W/DOOR AND
 ADJACENT CABINETS

1/2" HOMOSOTE FIXED
 TO WALL ABOVE
 BACKSPLASH TO BOTTOM
 OF UPPER CABINETS
 PAINTED FIN. NO. (14)

ADJUSTABLE KEYBOARD
 TRAY SUPPLIED &
 INSTALLED BY .G.C.
 REFER TO THE SRRS.

BOX/BOX/FILE
 PEDESTAL UNIT BY G.C.

4" HIGH TILE BASE
 FIN. NO. (42)



NOTE:
 3/4" PARTICLE BOARD COUNTERTOP FIN. NO. (06)
 W/ 1 1/2" FRONT COLOUR MATCHED PVC EDGE &
 SEPARATE BACKSPLASH W/ 1" FOR SCRIBING. ALL
 UPPER CABINETS AND SUPPORT GABLES FOR COUNTER
 TO BE FIN. NO. (01) UNLESS SPECIFIED OTHERWISE.

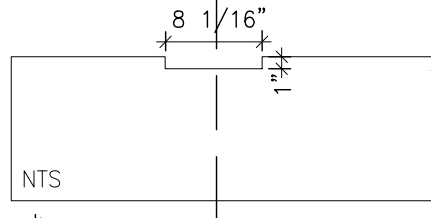
NOTE:
 G.C. TO PROVIDE AND INSTALL
 ALL KEYBOARD TRAYS,
 PEDESTALS AND CPU
 HOLDERS. REFER TO PROJECT
 SPECIFICATION BOOK.

CORNER SUPPORT GABLE
 C/W 3" DIA. CUTOUT FIN.
 NO. (01) (TYPICAL AT ALL
 INSIDE CORNERS). PROVIDE
 A BEAD OF CLEAR SILICONE
 CAULKING WHERE GABLE
 ABUTTS WALL SURFACES

8 TYPICAL ELEVATION
 F803 3/4" = 1'-0"

LCBO	800 OFFICE/SERVICES	REVISION DATE	REV.	6 of 7	ISSUE DATE	STORE TYPE	STORE #
	MANAGER'S OFFICE MILLWORK	2017 NOV	15	F803	2021 APR		

NOTE:
 CABINETS DOORS TO BE INDUSTRY STANDARD SIZES 12", 15", 18" ADD FILLERS WHERE NEEDED. CABINET DOORS SHOULD NOT EXCEED 18" WIDE.

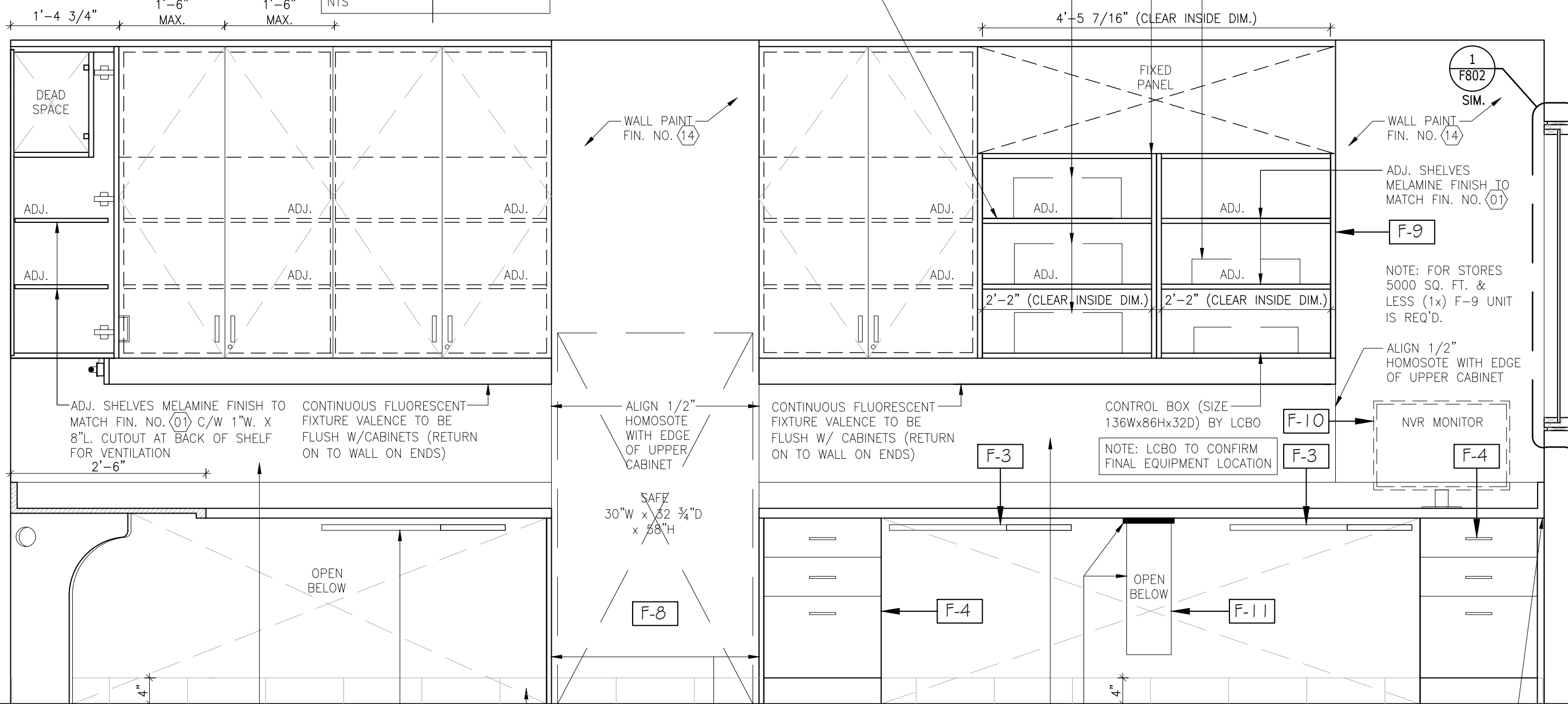


ADJ. SHELVES MELAMINE FINISH TO MATCH FIN. NO. (01) PROVIDE 1" x 8" CUT OUT AT THE BACK OF THE SHELF FOR VENTILATION

MUSIC AMPLIFIER (SIZE 420Wx108Hx367D) DIGITAL AUDIO MUSIC PLAYER (SIZE 445Wx135Hx315D) AND PAGING AMPLIFIER (SIZE 264Wx107.5Hx280D) BY LCBO (ALL DIMENSIONS ARE METRIC)

PROVIDE A ROW OF 1" DIA. CIRCULAR VENT HOLES SPACED 6" O.C. ALONG ENTIRE LENGTH OF A.V. CABINET

DVR SIZE: 422Wx98Hx378D BY LCBO



1/2" HOMOSOTE FIXED TO WALL ABOVE BACKSPLASH TO BOTTOM OF UPPER CABINETS PAINTED FIN. NO. (14)

NOTE:
 3/4" PARTICLE BOARD COUNTERTOP FIN. NO. (06) W/ 1 1/2" FRONT COLOUR MATCHED PVC EDGE & SEPARATE BACKSPLASH W/ 1" FOR SCRIBING. ALL UPPER CABINETS AND SUPPORT GABLES FOR COUNTER TO BE FIN. NO. (01) UNLESS SPECIFIED OTHERWISE.

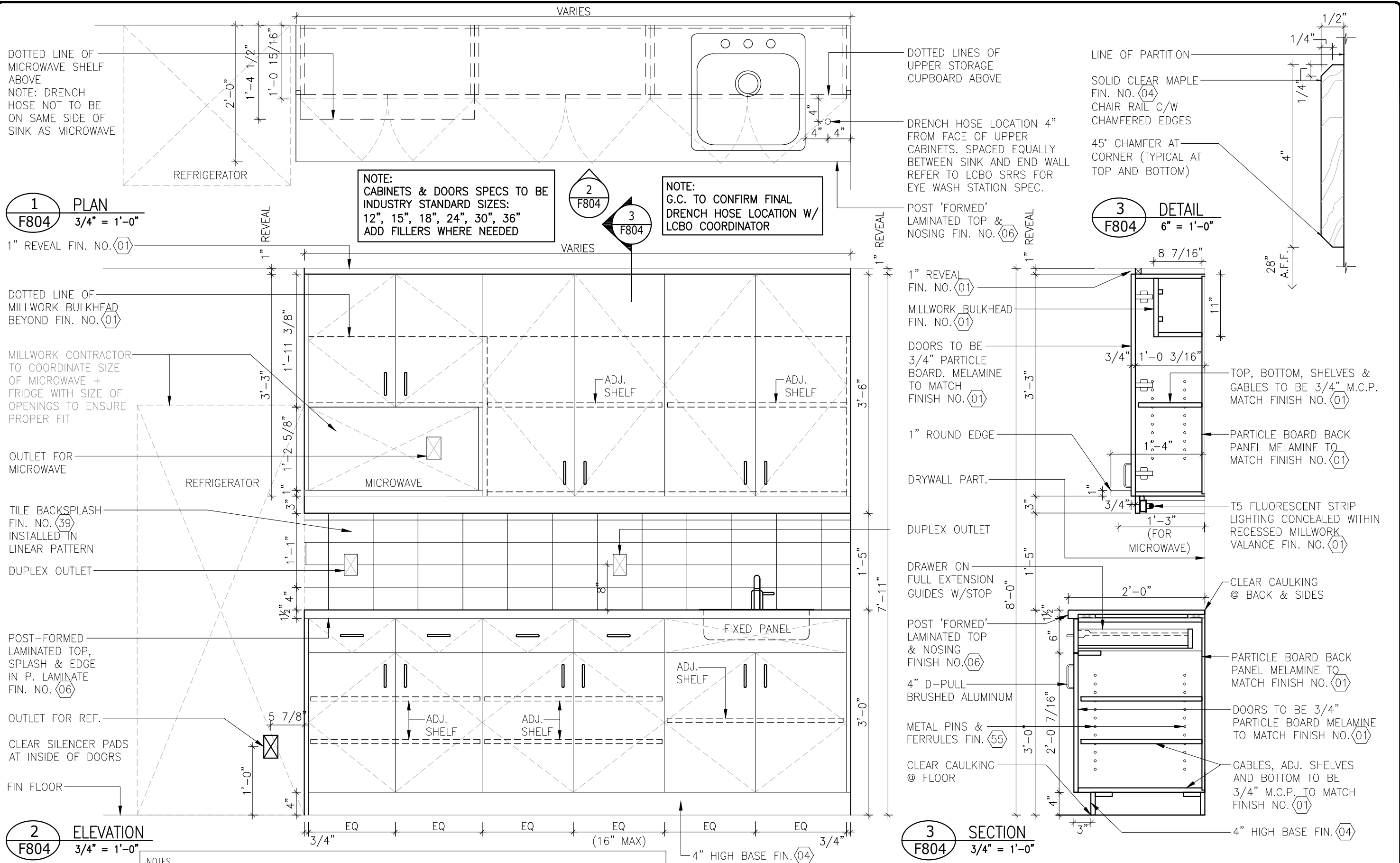
NOTE:
 G.C. TO PROVIDE AND INSTALL KEYBOARD TRAYS AND PEDESTALS. REFER TO PROJECT SPECIFICATION BOOK.

CPU HOLDER SUPPLIED AND INSTALLED BY G.C. PROVIDE 3/4" PLYWOOD LAYER W/ FIN. (06) SECURED TO U/S OF WORK SURFACE FOR ADDITIONAL SUPPORT FOR CPU HOLDERS. FINAL LOCATION TO BE DETERMINED ON SITE BY LCBO.

PROVIDE STEEL SUPPORT ANGLE FOR WORKSURFACE (SEE PLAN VIEW FOR LOCATION AND LENGTH). DO NOT SUPPORT WORKSURFACE ON UPS CABINET. SECURE ANGLE TO WALL FRAMING AND ENSURE ANGLE WILL SUPPORT WORKSURFACE.

9 TYPICAL ELEVATION
 F803 3/4" = 1'-0"

LCBO	800 OFFICE/SERVICES	REVISION DATE	REV.	7 of 7	ISSUE DATE	STORE TYPE	STORE #
	MANAGER'S OFFICE MILLWORK	2017 NOV	15	F803	2021 APR		



1 PLAN
F804 3/4" = 1'-0"

1" REVEAL FIN. NO. 01

NOTE:
CABINETS & DOORS SPECS TO BE
INDUSTRY STANDARD SIZES:
12", 15", 18", 24", 30", 36"
ADD FILLERS WHERE NEEDED

NOTE:
G.C. TO CONFIRM FINAL
DRENCH HOSE LOCATION W/
LCBO COORDINATOR

3 DETAIL
F804 6" = 1'-0"

DOTTED LINE OF
MILLWORK BULKHEAD
BEYOND FIN. NO. 01

MILLWORK CONTRACTOR
TO COORDINATE SIZE
OF MICROWAVE +
FRIDGE WITH SIZE OF
OPENINGS TO ENSURE
PROPER FIT

OUTLET FOR
MICROWAVE

TILE BACKSPASH
FIN. NO. 39
INSTALLED IN
LINEAR PATTERN

DUPLEX OUTLET

POST-FORMED
LAMINATED TOP,
SPASH & EDGE
IN P. LAMINATE
FIN. NO. 06

OUTLET FOR REF.

CLEAR SILENCER PADS
AT INSIDE OF DOORS

FIN FLOOR

2 ELEVATION
F804 3/4" = 1'-0"

NOTES
-LAYOUT VARIES TO SUIT STORE. REFER TO ARCHITECTURAL DRAWING PACKAGE FOR SPECIFIC LAYOUT.
-ALL INTERIOR COMPONENTS TO BE 3/4" PARTICLE BOARD WITH MELAMINE TO MATCH FIN. NO. 01 UNLESS OTHERWISE NOTED.
-REFER TO ARCHITECTURAL SPECIFICATIONS FOR SINK, MICROWAVE, AND REFRIGERATOR SPECIFICATIONS.
-ALL EXTERIOR COMPONENTS AND DOORS, DRAWERS AND SHELVES TO BE PLASTIC LAMINATE FIN. NO. 01

DOTTED LINES OF
UPPER STORAGE
CUPBOARD ABOVE

DRENCH HOSE LOCATION 4"
FROM FACE OF UPPER
CABINETS. SPACED EQUALLY
BETWEEN SINK AND END WALL
REFER TO LCBO SRRS FOR
EYE WASH STATION SPEC.

POST 'FORMED'
LAMINATED TOP &
NOSING FIN. NO. 06

LINE OF PARTITION

SOLID CLEAR MAPLE
FIN. NO. 04
CHAIR RAIL C/W
CHAMFERED EDGES

45° CHAMFER AT
CORNER (TYPICAL AT
TOP AND BOTTOM)

1" REVEAL
FIN. NO. 01

MILLWORK BULKHEAD
FIN. NO. 01

DOORS TO BE
3/4" PARTICLE
BOARD. MELAMINE
TO MATCH
FINISH NO. 01

1" ROUND EDGE

DRYWALL PART.

DUPLEX OUTLET

DRAWER ON
FULL EXTENSION
GUIDES W/STOP

POST 'FORMED'
LAMINATED TOP
& NOSING
FINISH NO. 06

4" D-PULL
BRUSHED ALUMINUM

METAL PINS &
FERRULES FIN. 55

CLEAR CAULKING
@ FLOOR

3 SECTION
F804 3/4" = 1'-0"

8 7/16"

1 1/2"

1'-0 3/16"

TOP, BOTTOM, SHELVES &
GABLES TO BE 3/4" M.C.P.
MATCH FINISH NO. 01

PARTICLE BOARD BACK
PANEL MELAMINE TO
MATCH FINISH NO. 01

1'-4"

T5 FLUORESCENT STRIP
LIGHTING CONCEALED WITHIN
RECESSED MILLWORK
VALANCE FIN. NO. 01

1'-3"
(FOR
MICROWAVE)

CLEAR CAULKING
@ BACK & SIDES

PARTICLE BOARD BACK
PANEL MELAMINE TO
MATCH FINISH NO. 01

DOORS TO BE 3/4"
PARTICLE BOARD MELAMINE
TO MATCH FINISH NO. 01

GABLES, ADJ. SHELVES
AND BOTTOM TO BE
3/4" M.C.P. TO MATCH
FINISH NO. 01

4" HIGH BASE FIN. 04

2'-0"

3'-3"

3'-6"

3'-0"

7'-11"

1'-5"

1'-5"

8'-0"

6"

7/16"

3'-0"

2'-0 7/16"

3"

1 1/2"

3'-3"

3'-0"

3'-0"

2'-0"

1'-3"

1'-5"

3'-3"

3'-6"

1'-11 3/8"

1'-2 5/8"

1'-1"

1'-1"

1'-0 3/8"

1'-4 1/2"

1'-0 15/16"

1'-4 1/2"

2'-0"

1'-0"

5 7/8"

4"

3/4"

EQ EQ EQ EQ EQ EQ

(16" MAX)

3/4"

3/4"

28" A.F.F.

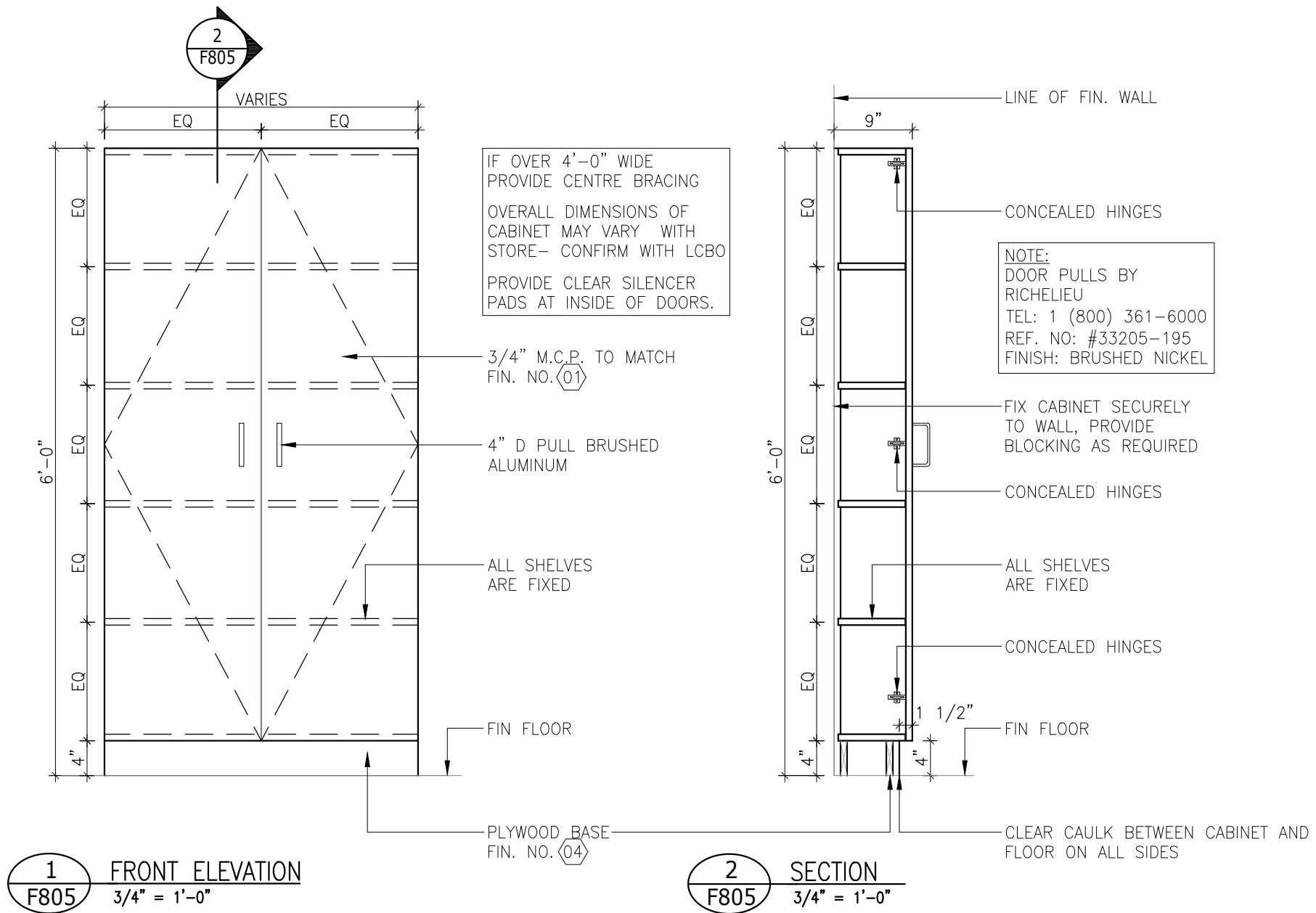
4"

1/4"

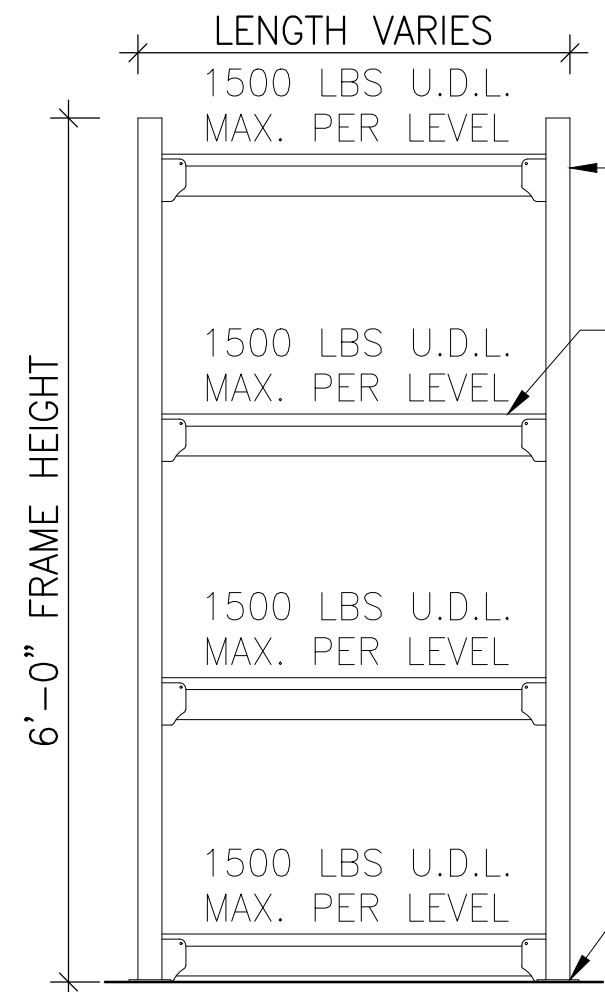
1/4"

1/2"

LCBO	F800 OFFICE/SERVICES	REVISION DATE	REV.	1 of 1	ISSUE DATE	STORE TYPE	STORE #
	STAFF LUNCH ROOM MILLWORK	2017 NOV	15	F804	2021 APR		



LCBO	800 OFFICE/SERVICES	REVISION DATE	REV.	1 of 1	ISSUE DATE	STORE TYPE	STORE #
	WASHROOM STORAGE CABINET	2011 DEC22	03	F805	2021 APR		



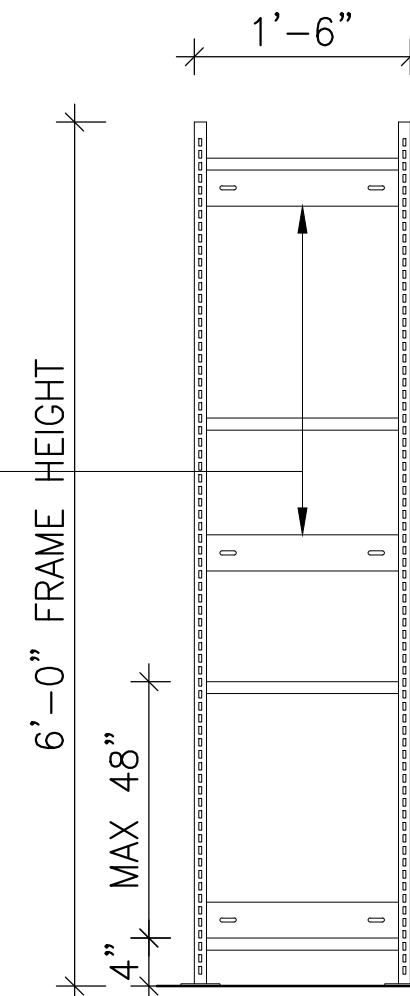
NOMINAL 2"W x 1"D x 14ga.
SHELVING FRAME POST (TYP.)

6"W x 18"D x 1"H x 20ga.
DROP IN PANEL (TYP.)

BRACING TO BE CONFIGURED IN
ACCORDANCE WITH THE
REQUIREMENTS OF THE VENDOR'S
ENGINEER AND SHOWN ON
APPROVED/SEALED DRAWINGS

NOMINAL 3"W x 3"D x $\frac{3}{16}$ "THK.
FRAME POST BASEPLATE

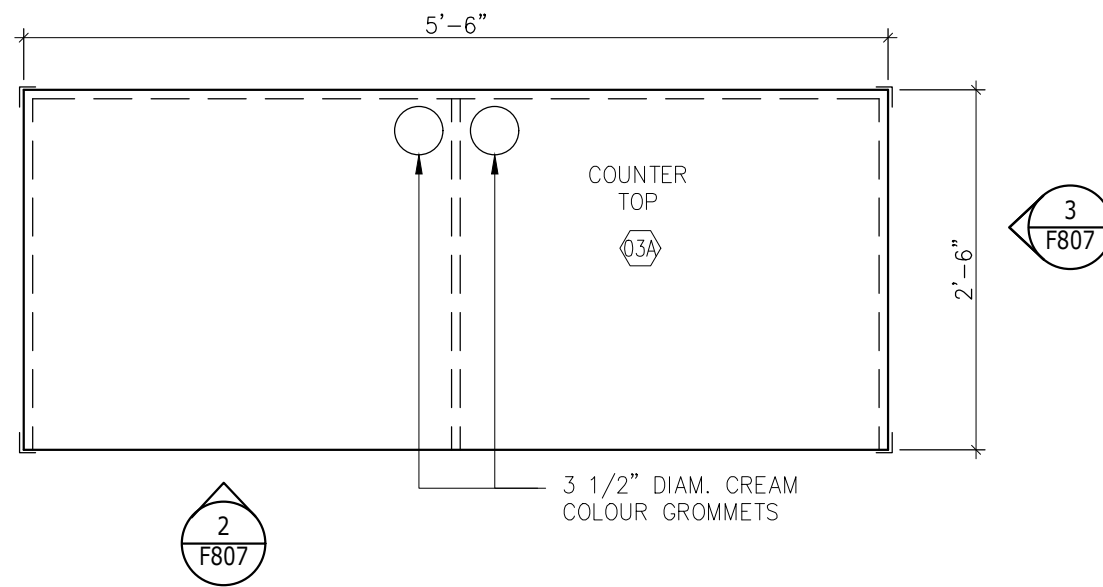
NOTE:
SUPPLY AND INSTALL ONE
18" D X 36" W X 72" H
METAL SHELF WITH 4 SHELF
LEVELS IN THE JANITOR ROOM.



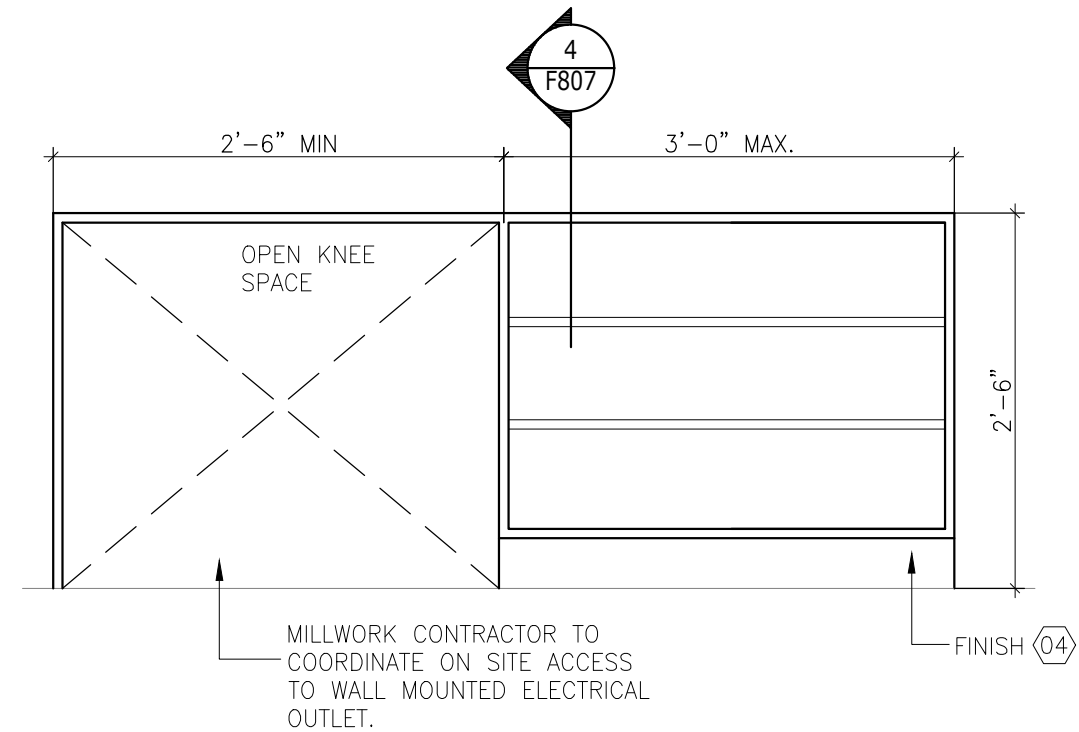
1
F806 ELEVATION
3/4" = 1'-0"

2
F806 ELEVATION
3/4" = 1'-0"

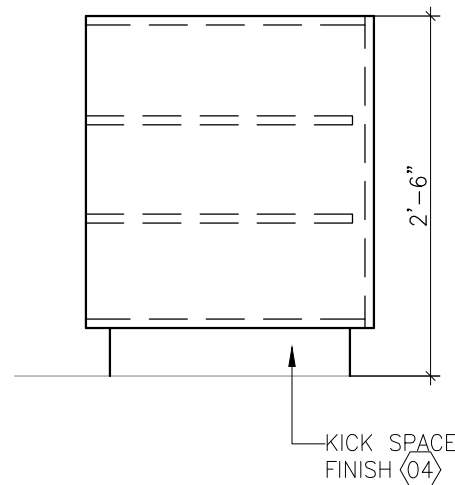
LCBO	800 OFFICE/SERVICES	REVISION DATE	REV.	1 of 1	ISSUE DATE	STORE TYPE	STORE #
	JANITOR'S ROOM SHELVING UNIT	2014 MAR28	10	F806	2021 APR		



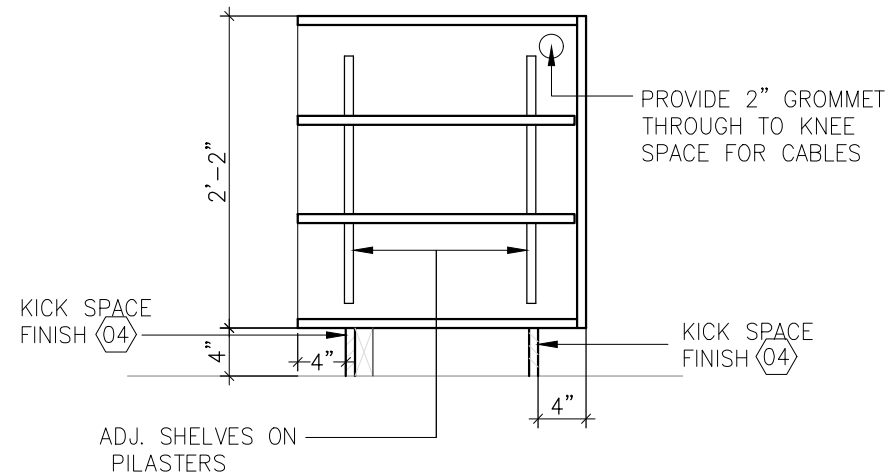
1 PLAN
F807 3/4" = 1'-0"



2 ELEVATION
F807 3/4" = 1'-0"



3 SIDE ELEVATION
F807 3/4" = 1'-0"

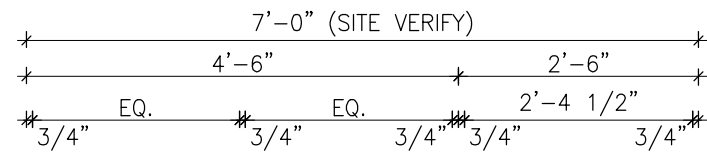


4 SECTION
F807 3/4" = 1'-0"

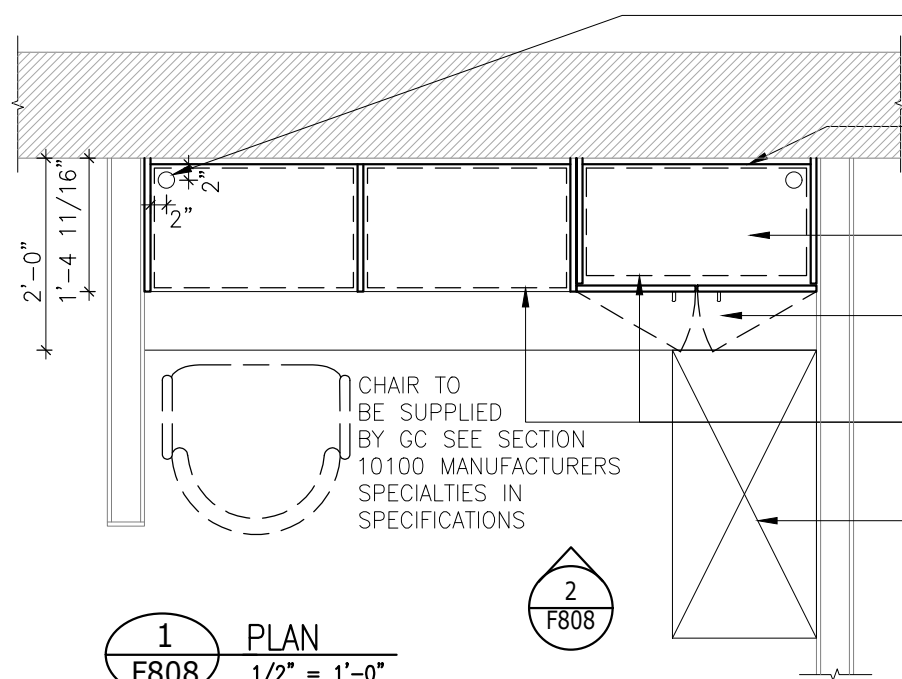
NOTE:
SIZE AND DETAILS VARY REFER TO ARCHITECTURAL DWG

NOTES:
BASE + STRUCTURAL COMPONENTS TO BE 3/4" PLYWOOD W/ DESIGNATED FINISH.
INTERIOR OF DESK TO BE 3/4" M.C.P. TO MATCH FIN. NO. 03A
EXTERIOR FINISH TO BE 3/4" PARTICLE BOARD WITH FIN. NO. 05 UNLESS NOTED OTHERWISE.
PROVIDE METAL CORNER GUARDS FIN. NO. 55 AT ALL CORNERS OF DESK

LCBO	800 OFFICE/SERVICES	REVISION DATE	REV.	1 of 1	ISSUE DATE	STORE TYPE	STORE #
	LICENSEE DESK	2015 MAR23	12	F807	2021 APR		



NOTE:
ALL EXPOSED SURFACES TO RECEIVE PLASTIC LAMINATE FIN. NO. 03A UNLESS OTHERWISE NOTED.



- PROVIDE 2" DIA. GROMMET IN EACH CORNER OF COUNTERTOP BELOW
- 3/4" BACK PANEL W/ P. LAM. FIN. NO. 03A W/ COLOUR-MATCH PVC EDGE
- P. LAM. FIN. NO. 03A TO INTERIOR OF LOCKABLE STORAGE CUPBOARDS
- 3/4" PLY COUNTERTOP P. LAM. FIN. NO. 03A W/ COLOUR-MATCH PVC EDGE
- DOTTED LINES OF 3/4" THK. ADJ. SHELVES W/ P. LAM. FIN. NO. 03A
- 36" x 18" LATERAL FILE BELOW

36" x 18" LATERAL FILE SPECIFICATION

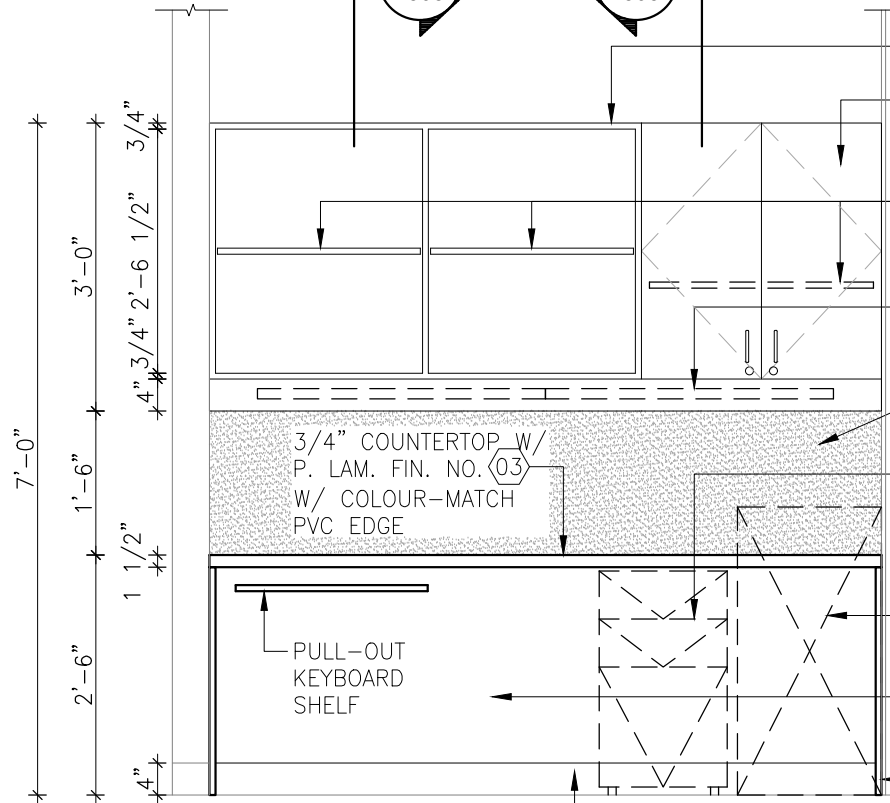
BY: OFFICE SPECIALTY
NO." 8936P-3FFL
THREE HIGH FILING CABINET
COLOUR: E022 FROST

CONTACT: TREVOR GRASBY
HARKEL OFFICE FURNITURE LTD.
TEL: (416) 665-1461 ext. 242

1 PLAN
F808 1/2" = 1'-0"

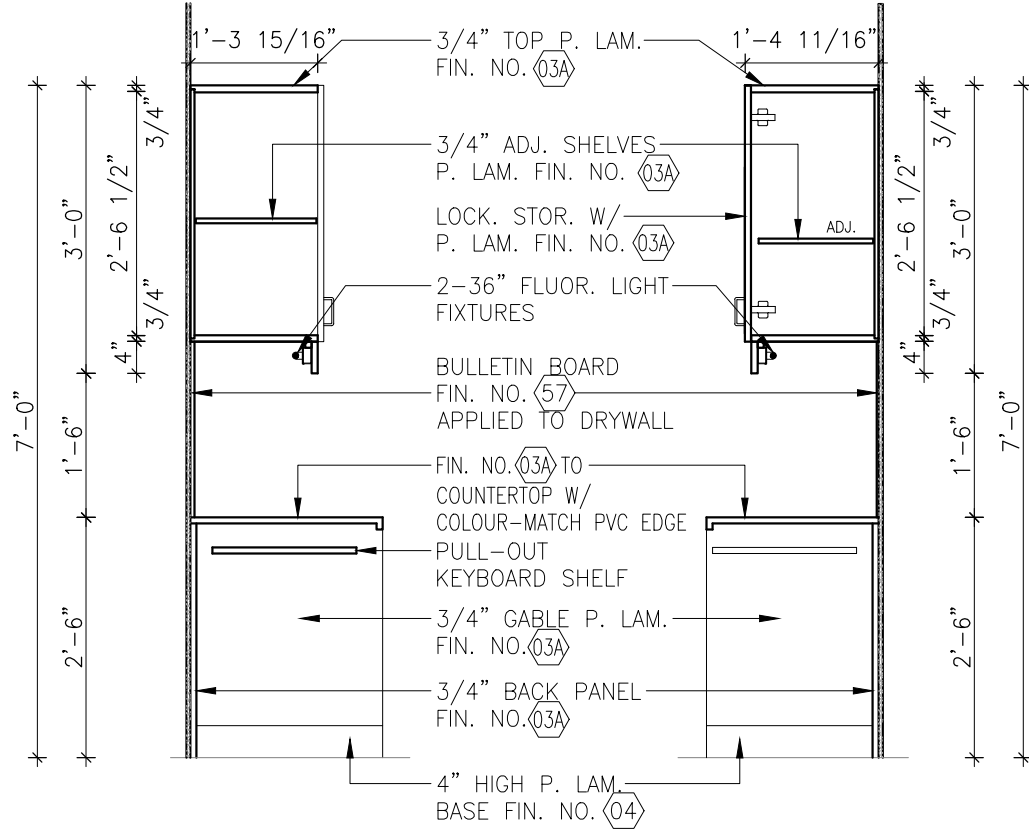
2
F808

NOTE:
CABINETS & DOORS TO BE INDUSTRY STANDARD SIZES 12", 15" 18", 24", 30", 36" ADD FILLERS WHERE NEEDED



- 3/4" TOP W/ P. LAM. FIN. NO. 03A
- LOCKABLE STORAGE CUPBOARDS W/ P. LAM. FIN. NO. 03A
- 3/4" THK. ADJ. SHELVES W/ P. LAM. FIN. NO. 03A
- DOTTED LINES OF 2-36" FLUOR. LIGHT FIXTURES BEHIND VALANCE
- BULLETIN BOARD FIN. NO. 57 APPLIED TO DRYWALL
- 3/4" COUNTERTOP W/ P. LAM. FIN. NO. 03 W/ COLOUR-MATCH PVC EDGE
- DOTTED LINES OF FILING CABINET SUPPLIED BY G.C.
- DOTTED LINES OF 36" x 18" LATERAL FILE BY G.C. SEE NOTE ON THIS PAGE FOR SPECIFICATION
- 3/4" BACK PANEL W/ P. LAM. FIN. NO. 03A
- 3/4" SIDE GABLE W/ P. LAM. FIN. NO. 03A
- 4" HIGH P. LAM. BASE FIN. NO. 04

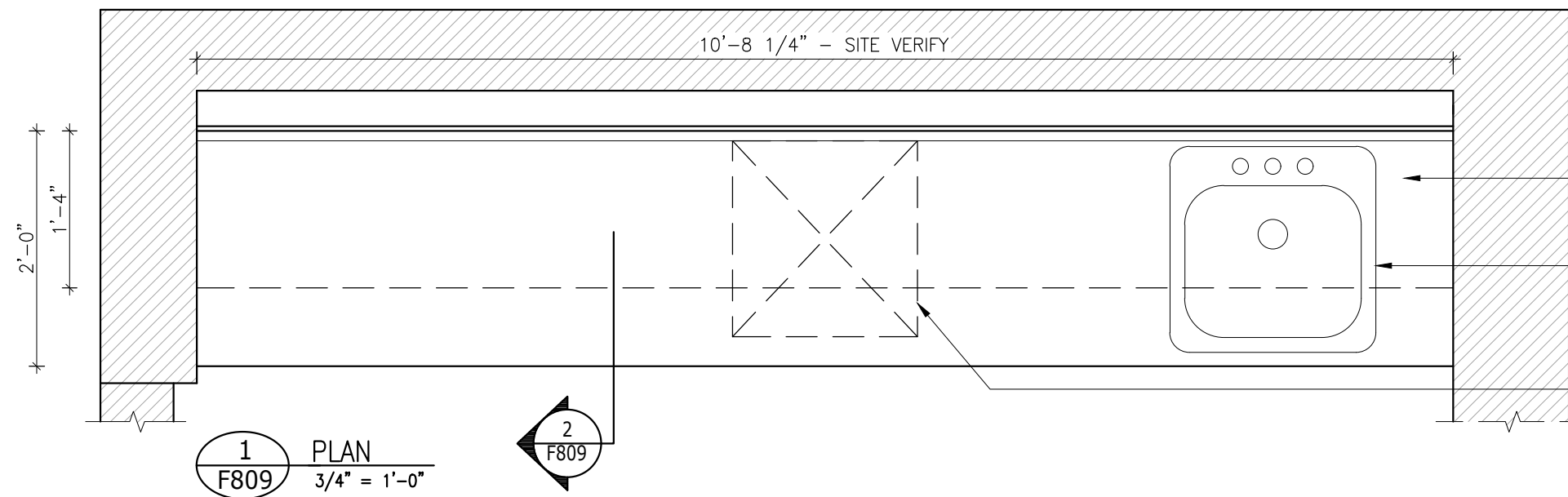
2 ELEVATION
F808 1/2" = 1'-0"



3 SECTION
F808 1/2" = 1'-0"

4 SECTION
F808 1/2" = 1'-0"

LCBO	800 OFFICE/SERVICES	REVISION DATE	REV.	1 of 1	ISSUE DATE	STORE TYPE	STORE #
	SPECIAL EVENTS COORDINATOR'S DESK	2016 JAN08	13	F808	2021 APR		



1 PLAN
F809 3/4" = 1'-0"

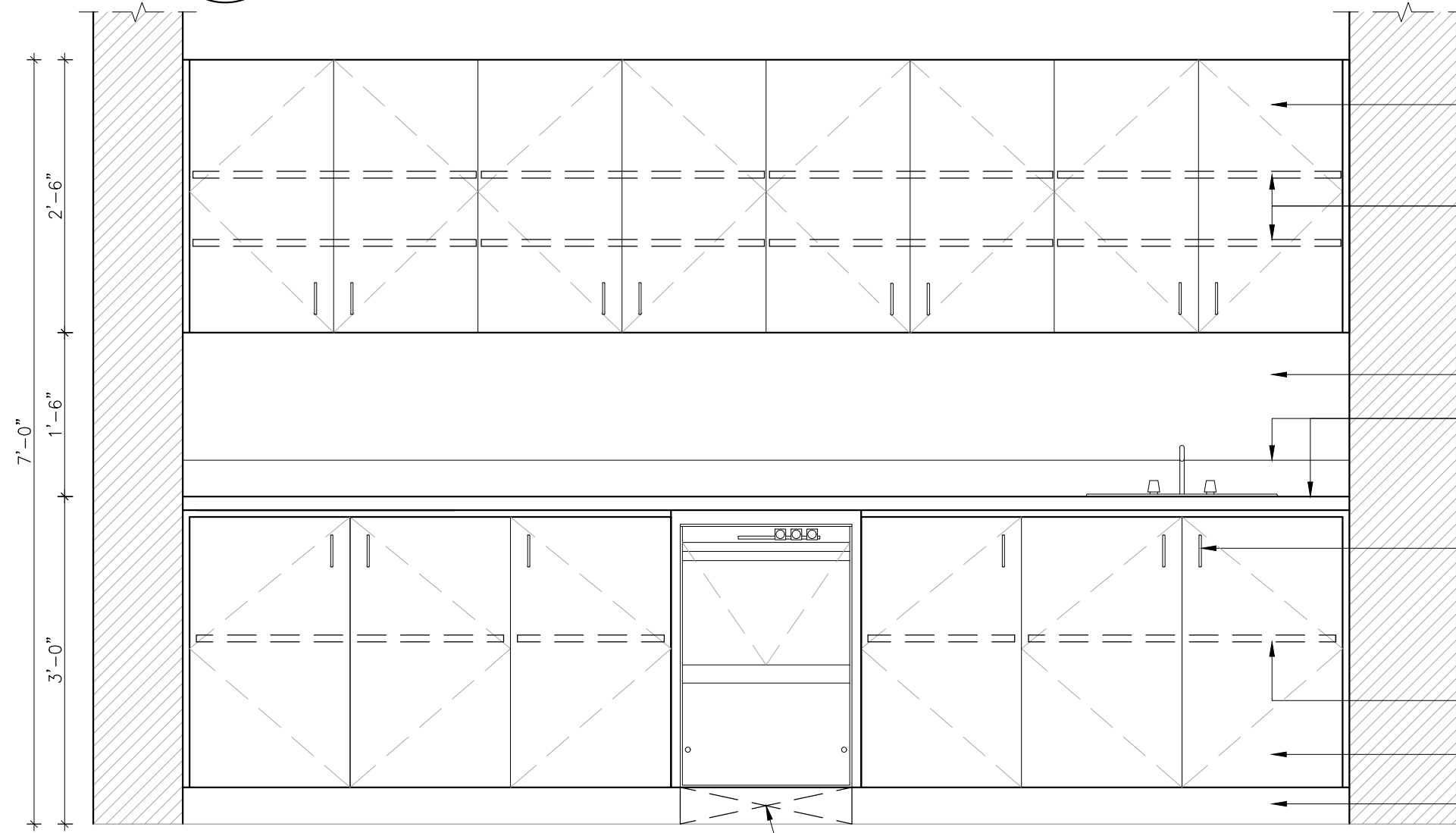
PRE-FORMED P. LAM. COUNTER & 4" HIGH BACKSPASH FIN. NO. (06)

REFER TO SPEC.'s FOR SINK, FAUCET, HANDLES, ETC.

LOCATION OF LAMER UNDER-COUNTER PROFESSIONAL SERIES GLASS-WASHER MODEL #S280, REFER TO SPEC.'s

NOTE: CABINETS & DOORS SPECS TO BE INDUSTRY STANDARD SIZES: 12", 15", 18", 24" 30", 36" ADD FILLERS WHERE NEEDED

NOTE: ALL INTERIOR CABINET FINISHES (INCLUDING SHELVES) TO BE MELAMINE FINISH TO MATCH FIN. NO. (01)



2 ELEVATION
F809 3/4" = 1'-0"

P. LAM. FIN. (09A) TO ALL INTERIOR/EXTERIOR MILLWORK SURFACES EXCLUDING COUNTER

DOTTED LINES OF ADJUSTABLE SHELVES TO BE MELAMINE TO MATCH FIN. NO. (01) ON METAL PILASTERS (x2)

PAINT FIN. NO. (20A)

PRE-FORMED P. LAM. COUNTER & 4" HIGH BACKSPASH FIN. NO. (06)

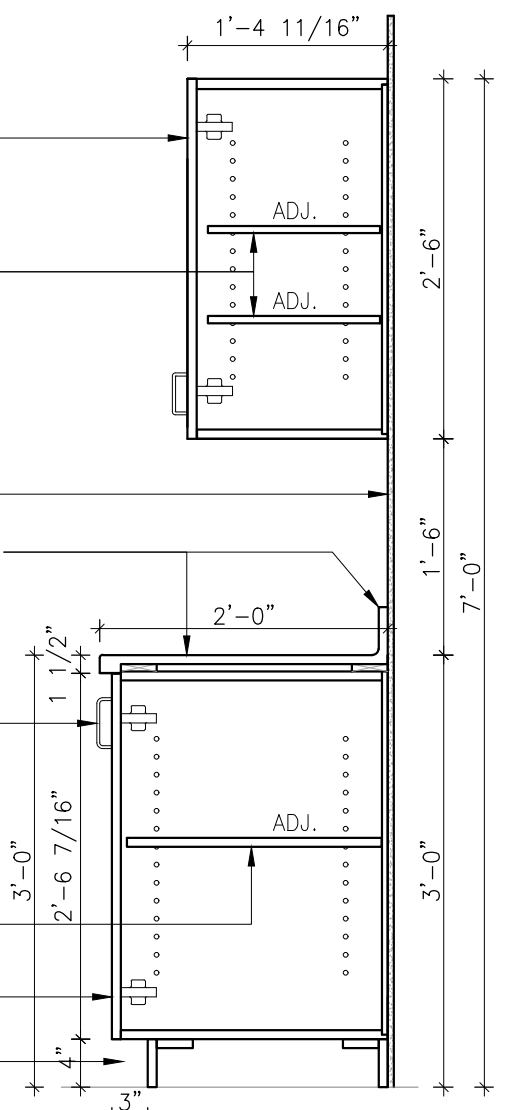
PROVIDE TYPICAL D-PULL DOOR HANDLES IN SATIN STAINLESS STEEL FINISH

ADJ. SHELF ON METAL PILASTERS

P. LAM. FIN. NO. (09A)

RECESSED KICK BASE P. LAM. FIN. NO. (04)

MILLWORK CONTRACTOR TO PROVIDE PEDESTAL BELOW GLASS WASHER TO MATCH ADJACENT MILLWORK. ENSURE GLASS WASHER IS TIGHT TO U/S OF COUNTER. COORDINATE WITH G.C.

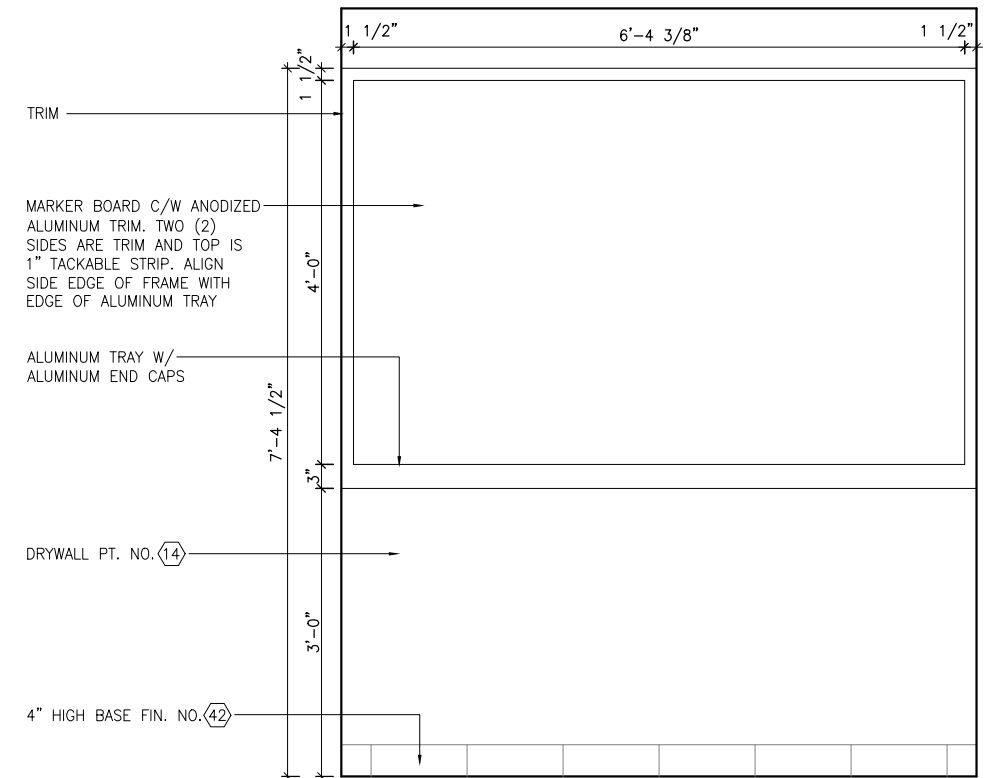
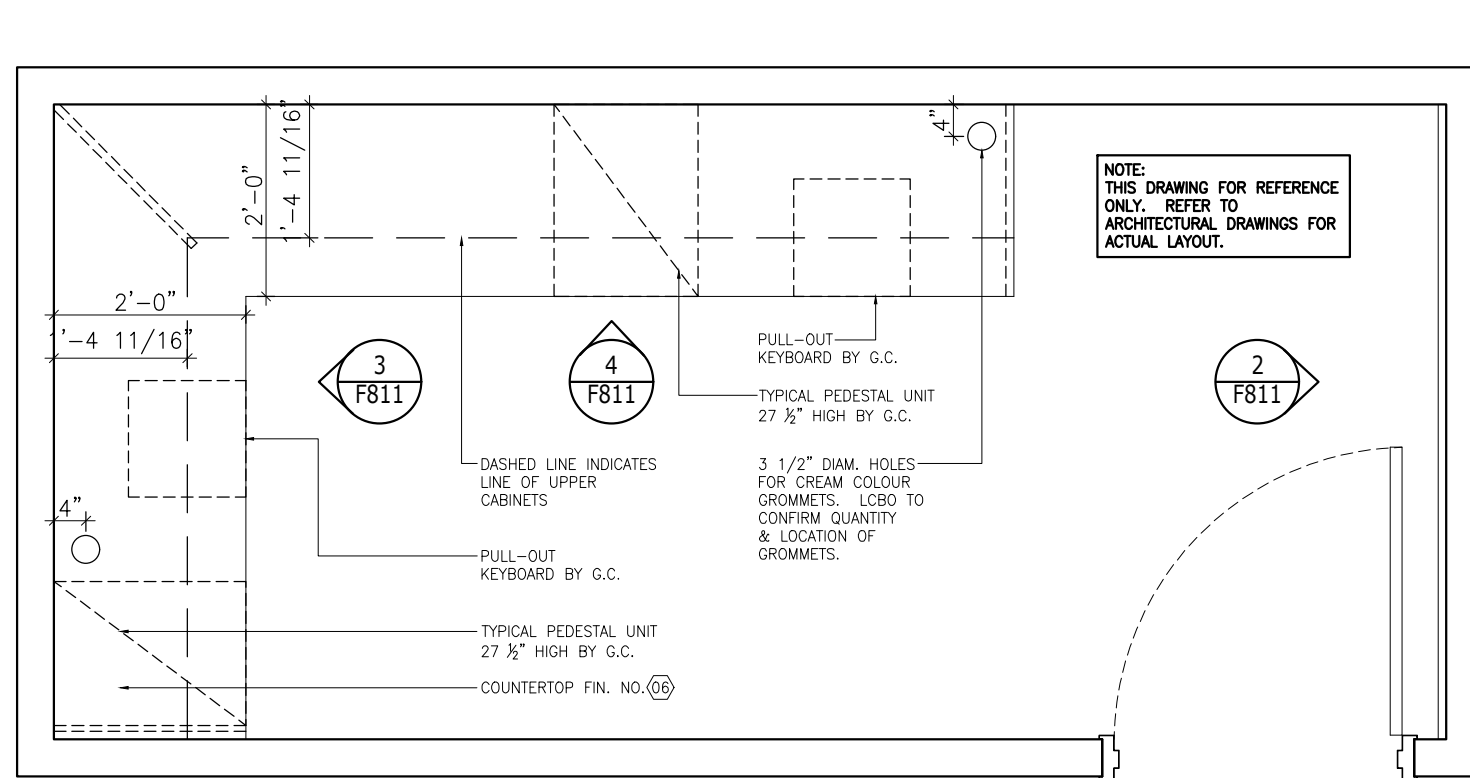


3 SECTION
F809 3/4" = 1'-0"

LCBO	800 OFFICE/SERVICES	REVISION DATE	REV.	1 of 1	ISSUE DATE	STORE TYPE	STORE #
	GLASS-WASHING ROOM MILLWORK	2016 JAN08	13	F809	2021 APR		

DETAILS TO FOLLOW

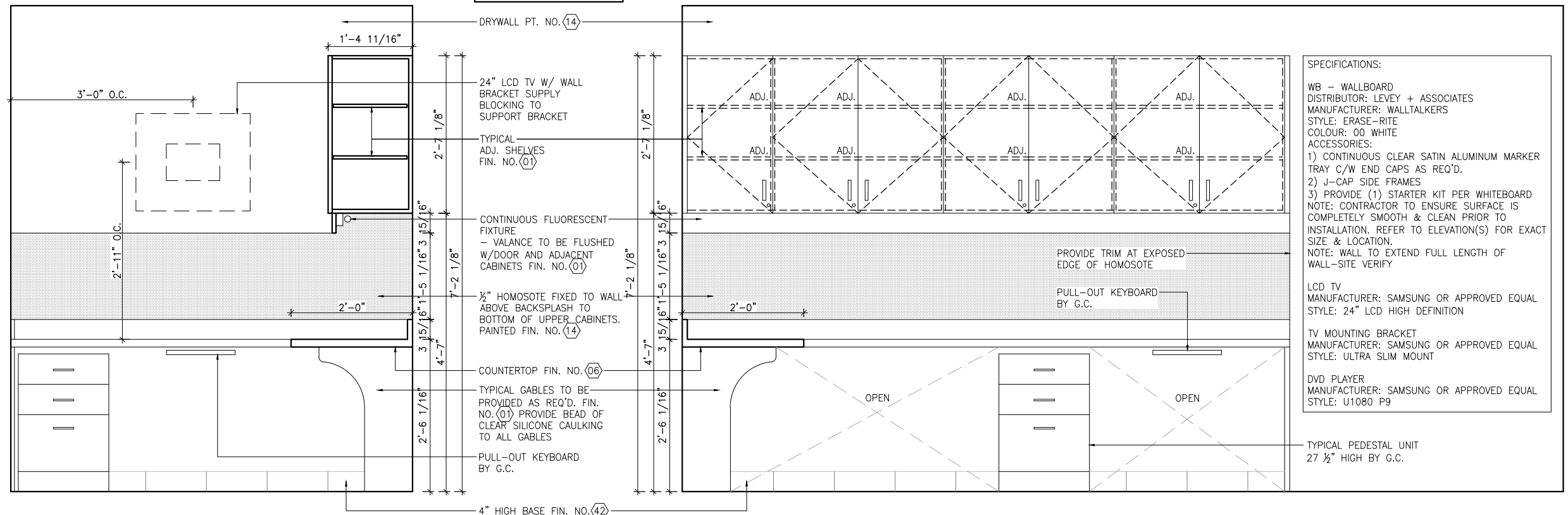
LCBO	800 OFFICE/SERVICES	REVISION DATE	REV.	1 of 1	ISSUE DATE	STORE TYPE	STORE #
	PRINTER TABLE	2008 MAR20	00	F810	2021 APR		



1 PLAN
F811 1/2" = 1'-0"

NOTE:
CABINETS & DOORS TO BE INDUSTRY STANDARD SIZES 12", 15", 18", 24", 30", 36" ADD FILLERS WHERE NEEDED

2 ELEVATION
F811 1/2" = 1'-0"



SPECIFICATIONS:

WB - WALLBOARD
DISTRIBUTOR: LEVEY + ASSOCIATES
MANUFACTURER: WALLTALKERS
STYLE: ERASE-RITE
COLOUR: 00 WHITE
ACCESSORIES:
1) CONTINUOUS CLEAR SATIN ALUMINUM MARKER TRAY C/W END CAPS AS REQ'D.
2) J-CAP SIDE FRAMES
3) PROVIDE (1) STARTER KIT PER WHITEBOARD
NOTE: CONTRACTOR TO ENSURE SURFACE IS COMPLETELY SMOOTH & CLEAN PRIOR TO INSTALLATION. REFER TO ELEVATION(S) FOR EXACT SIZE & LOCATION.
NOTE: WALL TO EXTEND FULL LENGTH OF WALL-SITE VERIFY

LCD TV
MANUFACTURER: SAMSUNG OR APPROVED EQUAL
STYLE: 24" LCD HIGH DEFINITION

TV MOUNTING BRACKET
MANUFACTURER: SAMSUNG OR APPROVED EQUAL
STYLE: ULTRA SLIM MOUNT

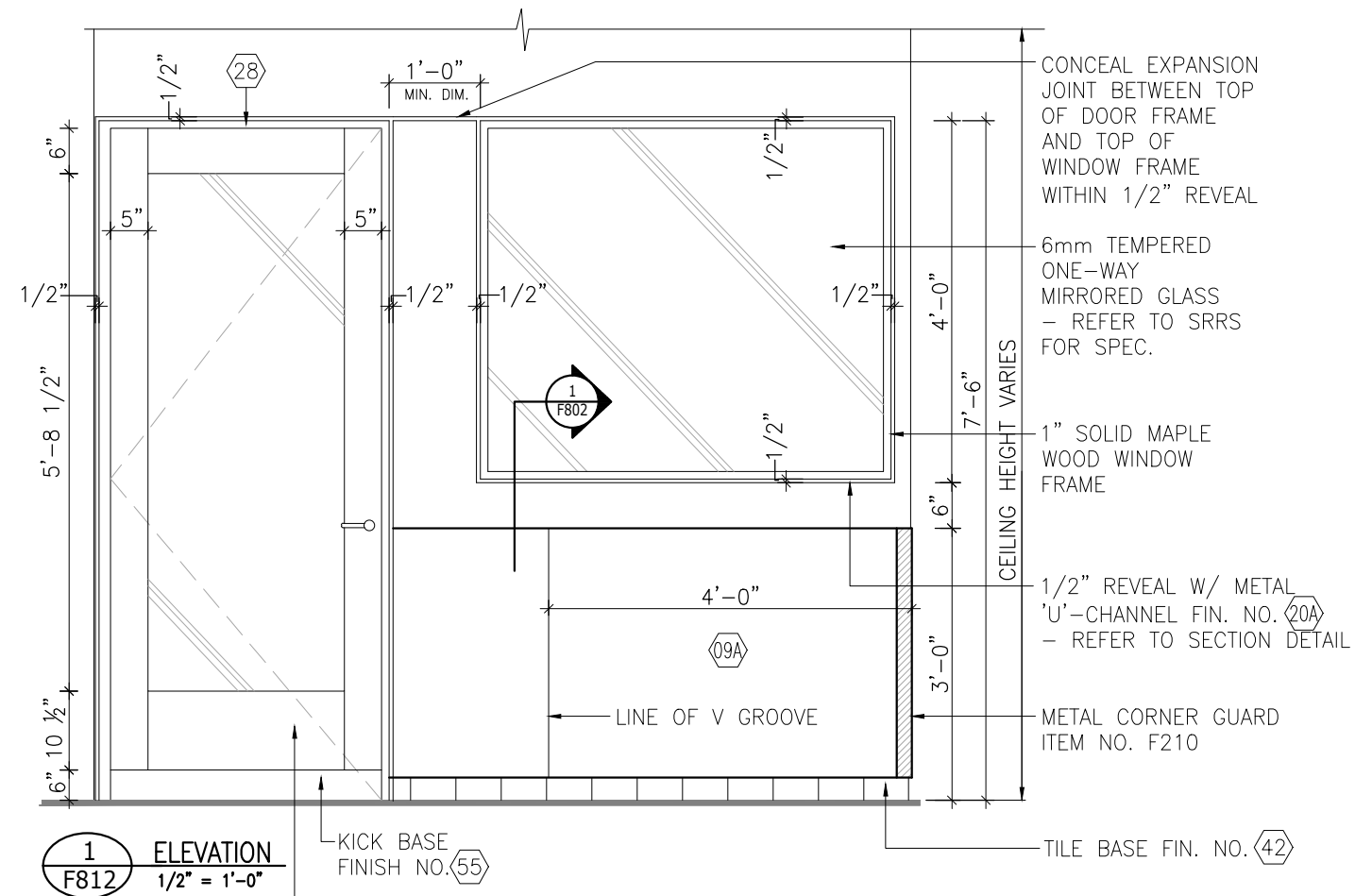
DVD PLAYER
MANUFACTURER: SAMSUNG OR APPROVED EQUAL
STYLE: U1080 P9

3 ELEVATION
F811 1/2" = 1'-0"

4 ELEVATION
F811 1/2" = 1'-0"

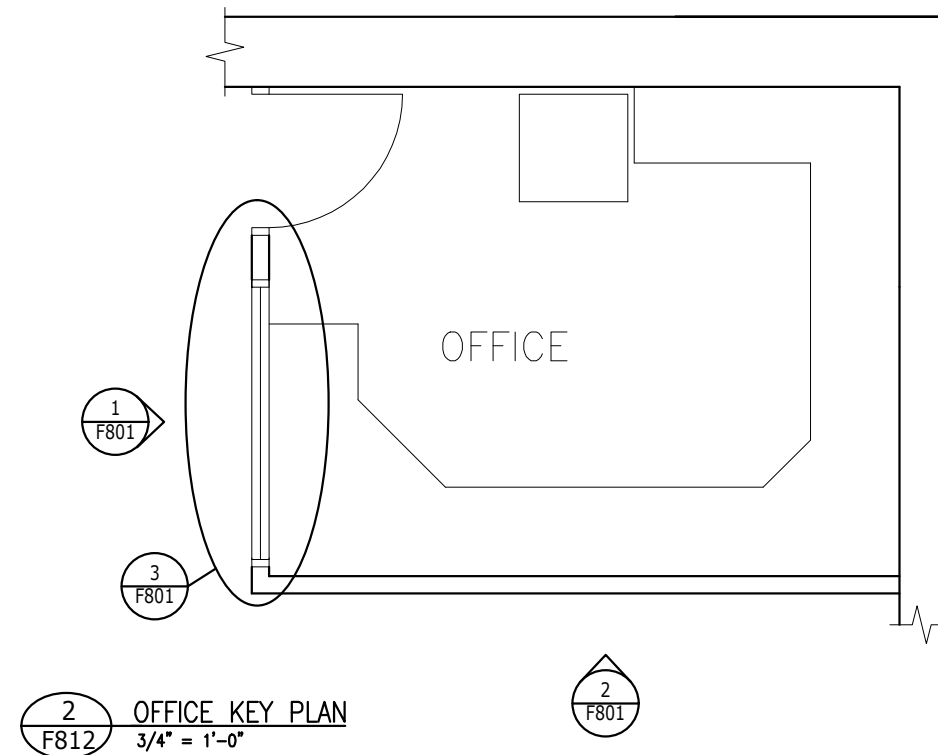
NOTE:
COUNTER TOP & EDGE TO BE POST-FORMED W/SEPARATE BACKSPASH W/1" FOR SCRIBING. ALL MILLWORK TO BE FIN. NO. (01) UNLESS SPECIFIED OTHERWISE.

LCBO	800 OFFICE/SERVICES	REVISION DATE	REV.	1 of 1	ISSUE DATE	STORE TYPE	STORE #
	TRAINING OFFICE MILLWORK	2016 JAN08	13	F811	2021 APR		



1 ELEVATION
 F812 1/2" = 1'-0"

KICK BASE FINISH NO. 55
 OFFICE HARDWOOD DOOR & DOOR FRAME FIN. NO. 28 C/W 6mm TEMPERED ONE-WAY MIRRORED GLASS - REFER TO SRRS FOR SPEC.

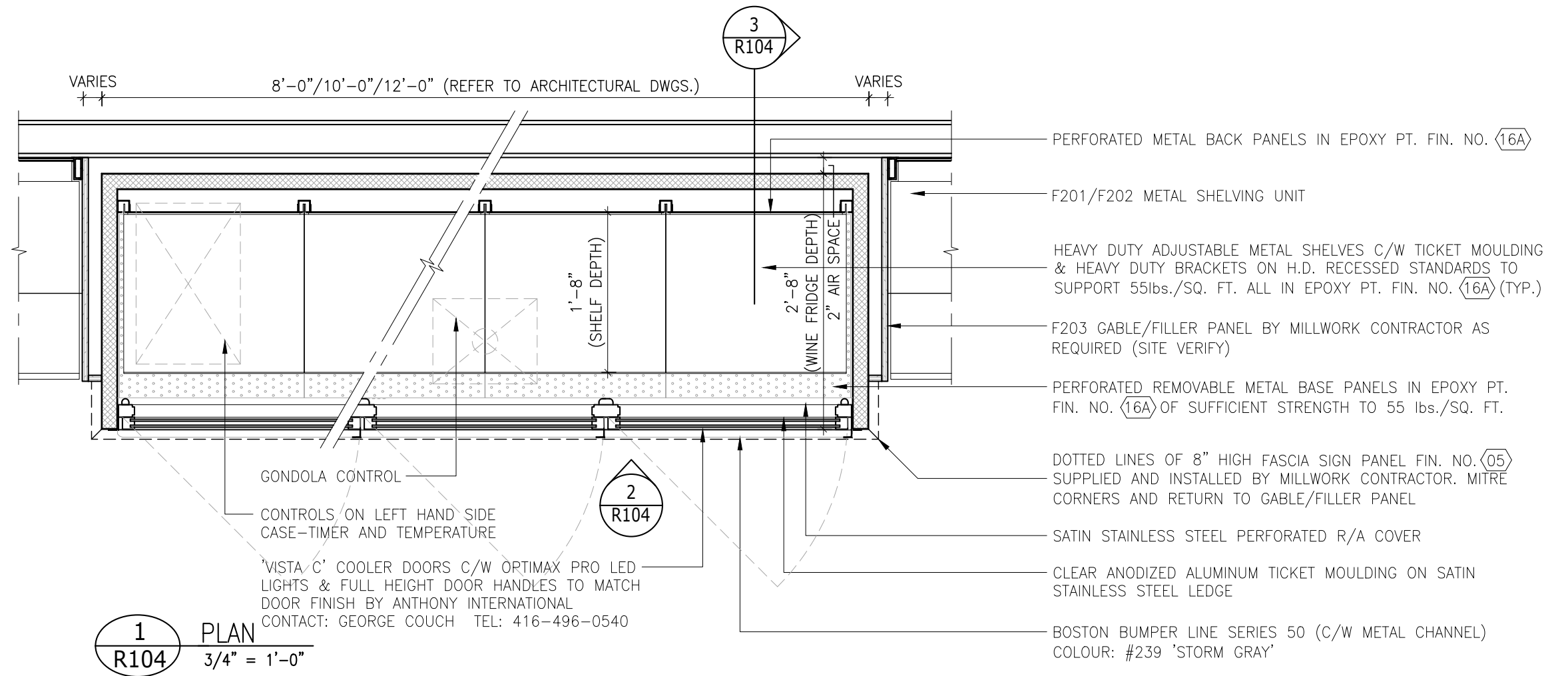


LCBO	800 OFFICE/SERVICES	REVISION DATE	REV.	1 of 1	ISSUE DATE	STORE TYPE	STORE #
	OFFICE DOOR W/ GLASS INSERT	2019 APR	16	F812	2021 APR		

RESERVED

LCBO	R100 REFRIGERATION	REVISION DATE	REV.	1 of 1	ISSUE DATE	STORE TYPE	STORE #
		2019 APR	16	R101-R103	2021 APR		

PLEASE NOTE THAT THESE DWGS ARE FOR REFERENCE ONLY. REFRIGERATION SUPPLIER (NEELAND'S) SHOP DWGS TO BE PROVIDED PENDING LCBO APPROVAL.



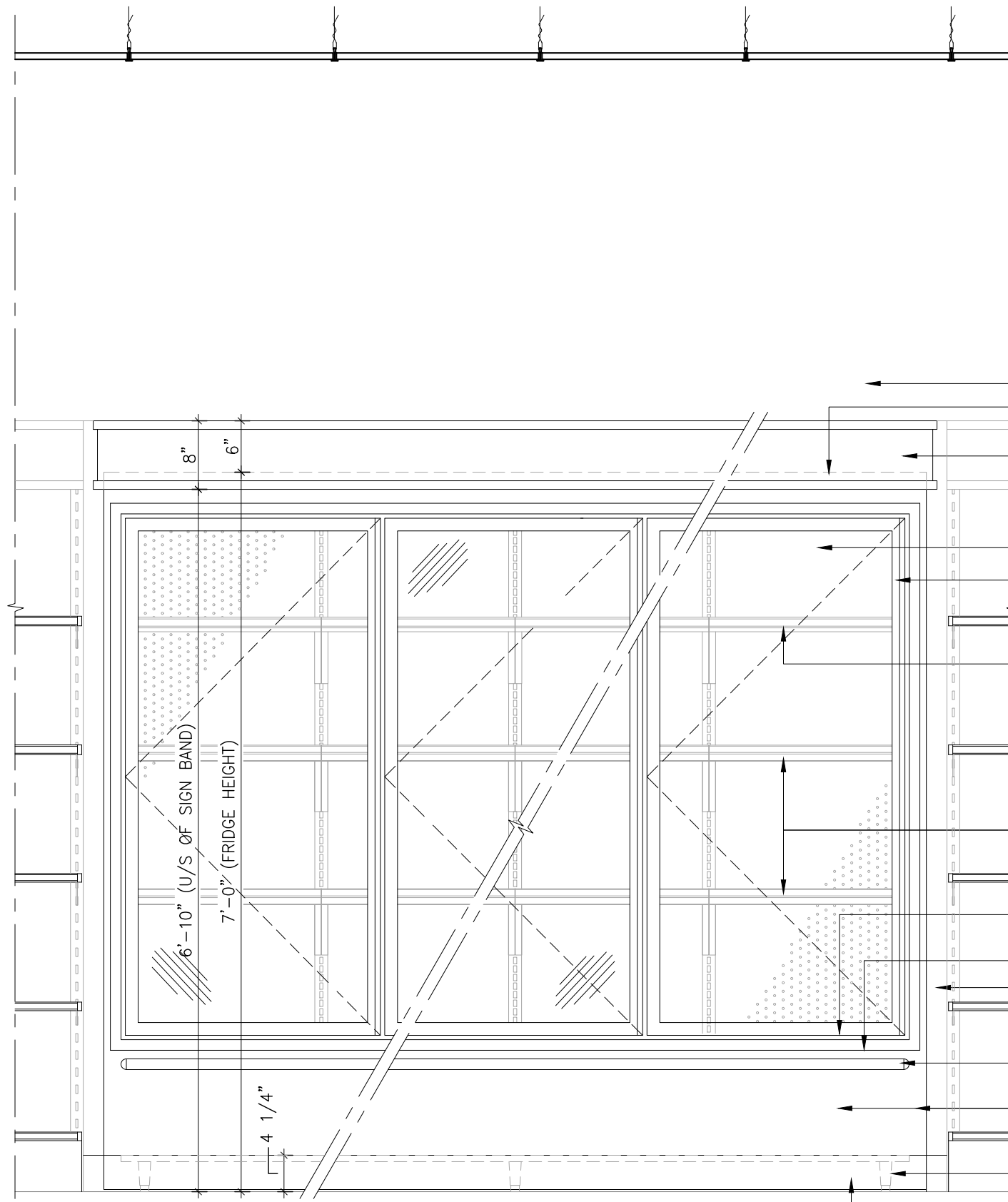
GENERAL NOTES:

1. ALL UNITS TO BE SET TO OPERATE AS PER LCBO SPEC. SECTION 11 40 00
2. TICKET MOULDINGS AS PER LCBO SPEC, FOR FINISHES NOTED ON THE DRAWINGS.
3. HUB DRAIN TO BE RELOCATED AS INDICATED ON THE MECHANICAL DRAWINGS.
4. REMOTE COMPRESSOR TO BE ROOF MOUNTED WHERE POSSIBLE.
5. PROVIDE CONDENSATE PUMP IF REQUIRED REFER TO LCBO SPEC. SECTION 11 40 00
6. CONDENSING UNIT TO BE COMPLETE W/ CSA APPROVED WEATHER-PROOFED DISCONNECTED SWITCH.
7. REFRIGERANT TO BE 404a.
8. ELECTRICAL SERVICE – REFER TO LCBO SPECIFICATIONS SECTION 11 40 00 REFRIGERATION CASE: 110V, 15 AMP
9. WIRING OF CONTROL TO BE CONCEALED. ELECTRICAL CONTRACTOR TO PROVIDE REGULAR LINE VOLTAGE WIRING FROM COMPRESSOR TO CASE AND/OR FAN COIL UNIT.
10. REFRIGERATOR UNIT SHOULD BE MANUFACTURED IN KNOCK DOWN COMPONENTS TO MAKE SURE THEY CAN GO THROUGH A MINIMUM DOOR WIDTH OF 36".
11. CONTRACTOR TO PROVIDE A PAINTED SHELF CANTILEVER FOR COLOUR APPROVAL BY THE LCBO.
12. CONTRACTOR TO USE ANTI-FUNGAL PAINT ON DRYWALL SURFACES ("PENNSANITEX") – STANDARD
13. FOR ALL TECHNICAL REFERENCES REFER TO LCBO SPECIFICATIONS SECTION 11 40 00
14. REFRIGERATOR UNIT TO BE INSTALLED PRIOR TO INSTALLATION OF DOUBLE-ACTING STOCK DOORS.
15. STANDARD REFRIGERATION UNIT LENGTHS ARE 8'-0", 10'-0" AND 12'-0". REFER TO ARCHITECTURAL PLANS FOR QUANTITIES.

LCBO	R100 REFRIGERATION	REVISION DATE	REV.	1 of 3	ISSUE DATE	STORE TYPE	STORE #
	PERIMETER WINE REFRIGERATION C/W CONTINUOUS P. LAM. FASCIA PANEL & COOLER DOORS (IN GENERAL PURCHASE AREA)	2021 MAR.	17	R104	2021 APR		

REFRIGERATION UNIT MANUFACTURER TO PROVIDE A DIGITAL THERMOSTAT IN EVERY UNIT. MANUFACTURER TO CONFIRM DIGITAL THERMOSTAT LOCATION WITH LCBO PROJECT COORDINATOR PRIOR TO FABRICATION. PROVIDE SHOP DWG PRIOR TO FABRICATION

- NOTE:**
1. ALL METAL TICKET HOLDERS TO RECEIVE 1 3/4" PLASTIC TICKET HOLDER INSERT (SUPPLIED & INSTALLED BY METAL SHELVING SUPPLIER) TO SPAN LENGTH OF SHELF SECTION
 2. FOR NEW STORES AND RENO PROJECTS, ALL SIGN BAND TO BE SUPPLIED AND INSTALLED BY METAL SHELVING SUPPLIER
 3. FOR FACILITY PROJECT, SIGN BAND TO BE SUPPLIED & INSTALLED BY NEELANDS
 4. IF REFRIDGERATOR REQUIRED TO ALIGN W/ 7'-6"HT. PERIMETER FIXTURE, SIGN BAND IS OMITTED.
 5. IF REFRIDGERATOR REQUIRED TO ALIGN W/ 7'-10"HT. PERIMETER FIXTURE, MILLWORK VALANCE IS REQUIRED TO EXTEND SIGN BAND TO ALIGN W/ ADJACENT FIXTURE. VALANCE TO BE SUPPLIED AND INSTALLED BY MILLWORKER

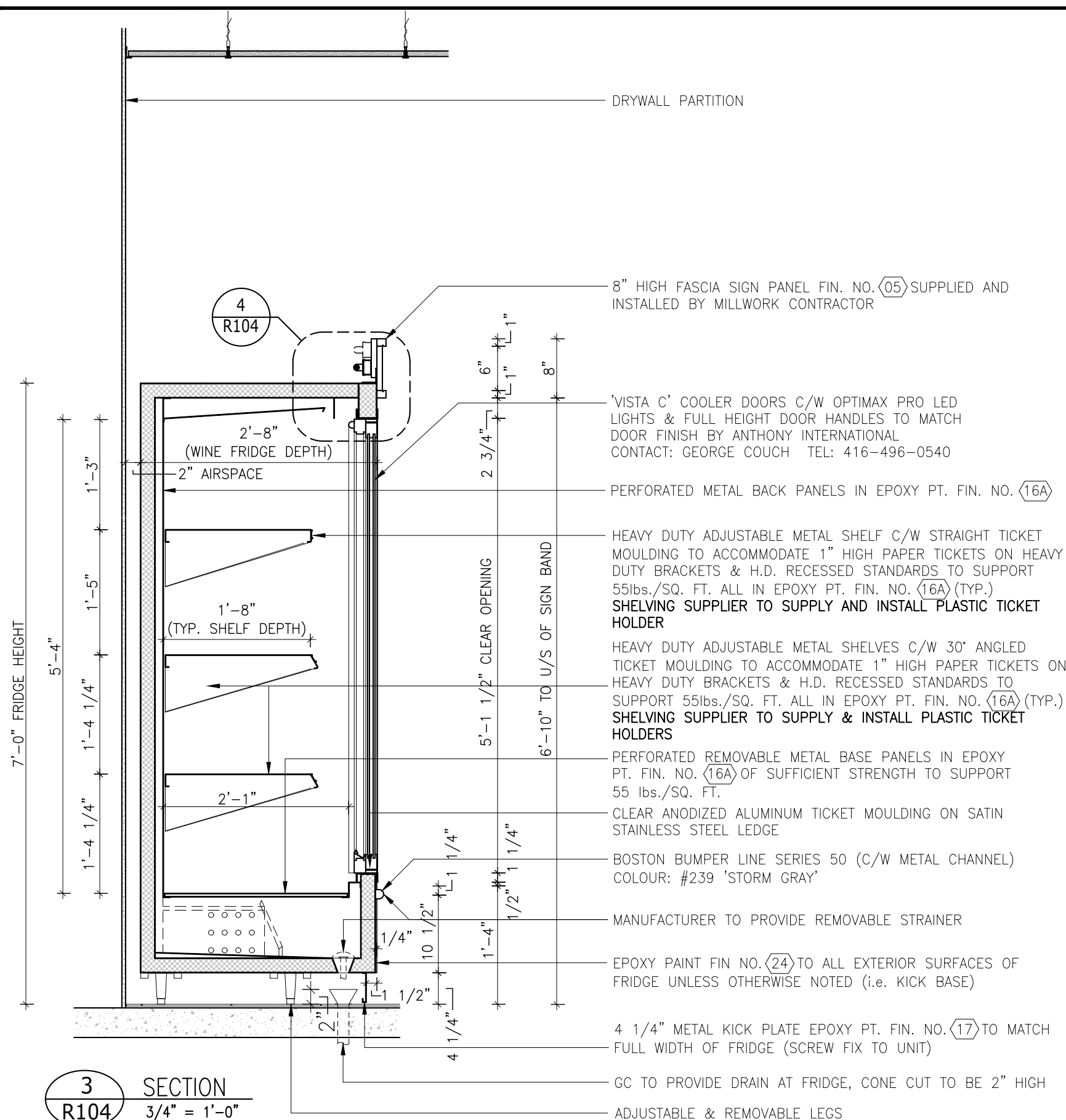


- DRYWALL PARTITION BEYOND
- DOTTED LINE DENOTES TOP OF FRIDGE BEHIND SIGN BAND
- 8" HIGH FASCIA SIGN PANEL FIN. NO. (05) SUPPLIED AND INSTALLED BY MILLWORK CONTRACTOR. MITRE CORNERS AND RETURN TO GABLE/FILLER PANEL
- PERFORATED METAL BACK PANELS IN EPOXY PT. FIN. NO. (16A)
- 'VISTA C' COOLER DOORS C/W OPTIMAX PRO LED LIGHTS & FULL HEIGHT DOOR HANDLES TO MATCH DOOR FINISH BY ANTHONY INTERNATIONAL CONTACT: GEORGE COUCH TEL: 416-496-0540
- HEAVY DUTY ADJUSTABLE METAL SHELVES C/W STRAIGHT TICKET MOULDING TO ACCOMMODATE 1" HIGH PAPER TICKETS ON HEAVY DUTY BRACKETS & H.D. RECESSED STANDARDS TO SUPPORT 55lbs./SQ. FT. ALL IN EPOXY PT. FIN. NO. (16A) (TYP.) SHELVING SUPPLIER TO SUPPLY AND INSTALL PLASTIC TICKET HOLDER
- HEAVY DUTY ADJUSTABLE METAL SHELVES C/W 30° ANGLED TICKET MOULDING TO ACCOMMODATE 1" HIGH PAPER TICKETS ON HEAVY DUTY BRACKETS & H.D. RECESSED STANDARDS TO SUPPORT 55lbs./SQ. FT. ALL IN EPOXY PT. FIN. NO. (16A) (TYP.) SHELVING SUPPLIER TO SUPPLY AND INSTALL PLASTIC TICKET HOLDER
- CLEAR ANODIZED ALUMINUM TICKET MOULDING
- SATIN STAINLESS STEEL LEDGE
- F203 GABLE/FILLER PANEL BY MILLWORK CONTRACTOR AS REQUIRED (SITE VERIFY)
- BOSTON BUMPER LINE SERIES 50 (C/W METAL CHANNEL) COLOUR: #239 'STORM GRAY'
- EPOXY PAINT FIN. NO. (24) TO ALL EXTERIOR SURFACES OF FRIDGE UNLESS OTHERWISE NOTED (i.e. KICK BASE)
- DOTTED LINES OF ADJUSTABLE & REMOVABLE LEGS
- 4 1/4" METAL KICK PLATE EPOXY PT. FIN. NO. (17) TO MATCH FULL WIDTH OF FRIDGE (SCREW FIX TO UNIT)

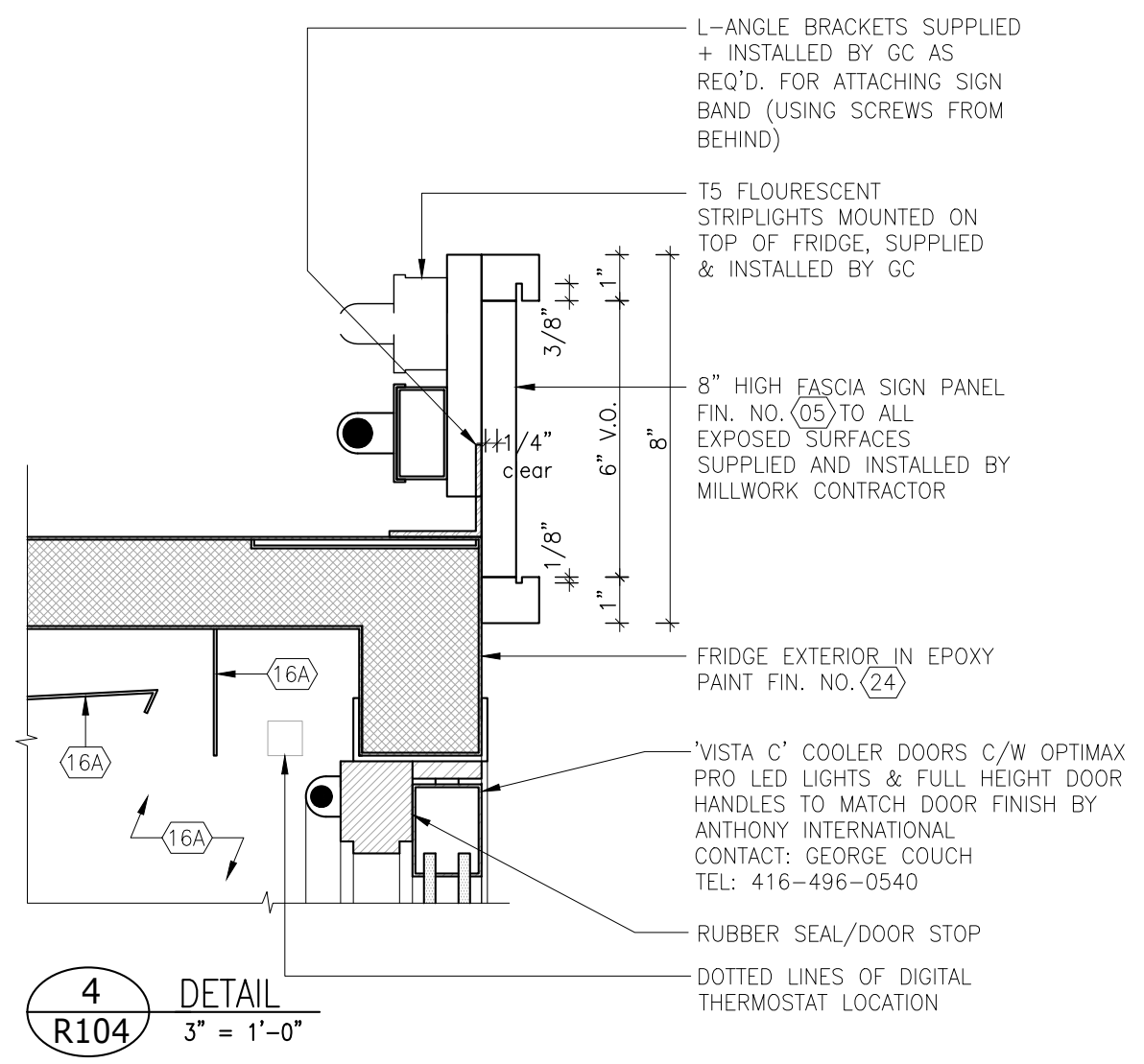
2 ELEVATION
R104 3/4" = 1'-0"

PLEASE NOTE THAT THESE DWGS ARE FOR REFERENCE ONLY. REFRIGERATION SUPPLIER (NEELAND'S) SHOP DWGS TO BE PROVIDED PENDING LCBO APPROVAL.

LCBO	R100 REFRIGERATION	REVISION DATE	REV.	2 of 3	ISSUE DATE	STORE TYPE	STORE #
	PERIMETER WINE REFRIGERATION C/W CONTINUOUS P. LAM. FASCIA PANEL & COOLER DOORS (IN GENERAL PURCHASE AREA)	2021 MAR.	17	R104	2021 APR		



NOTE:
 1. FOR NEW STORES AND RENO PROJECTS, ALL SIGN BAND TO BE SUPPLIED AND INSTALLED BY METAL SHELVING SUPPLIER
 2. FOR FACILITY PROJECT, SIGN BAND TO BE SUPPLIED & INSTALLED BY NEELANDS



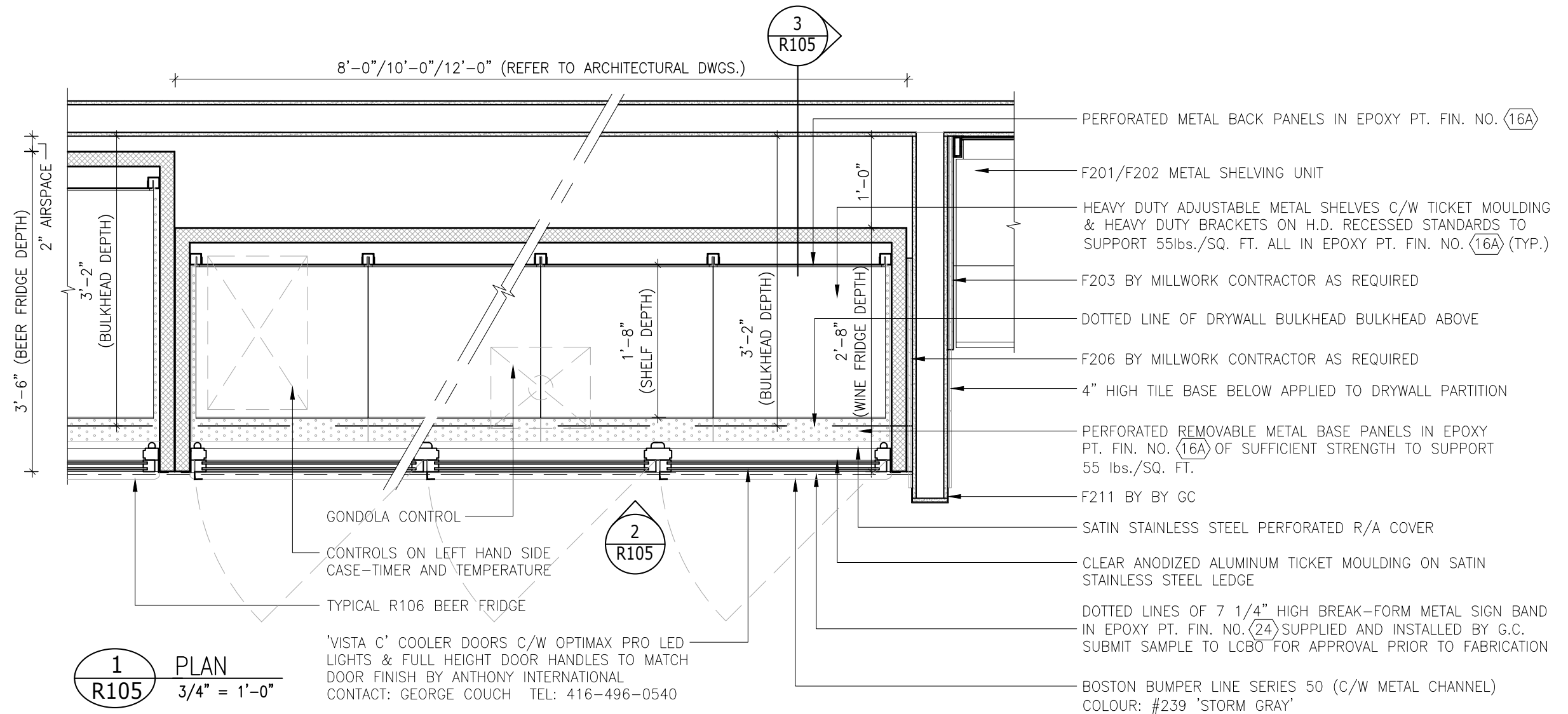
NOTE: FLOOR DRAIN BY GENERAL CONTRACTOR. IF DRAIN IS NOT AVAILABLE, REFG. SUPPLIER TO PROVIDE CONDENSATE PUMP AND PLASTIC TUBING TO AN AVAILABLE DRAIN. (LOCATION TO BE CONFIRMED WITH REFRIGERATOR SUPPLIER & THE LCBO.)

3 SECTION
 R104 3/4" = 1'-0"

PLEASE NOTE THAT THESE DWGS ARE FOR REFERENCE ONLY. REFRIGERATION SUPPLIER (NEELAND'S) SHOP DWGS TO BE PROVIDED PENDING LCBO APPROVAL.

LCBO	R100 REFRIGERATION	REVISION DATE	REV.	3 of 3	ISSUE DATE	STORE TYPE	STORE #
	PERIMETER WINE REFRIGERATION C/W CONTINUOUS P. LAM. FASCIA PANEL & COOLER DOORS (IN GENERAL PURCHASE AREA)	2021 MAR.	17	R104	2021 APR		

PLEASE NOTE THAT THESE DWGS ARE FOR REFERENCE ONLY. REFRIGERATION SUPPLIER (NEELAND'S) SHOP DWGS TO BE PROVIDED PENDING LCBO APPROVAL.



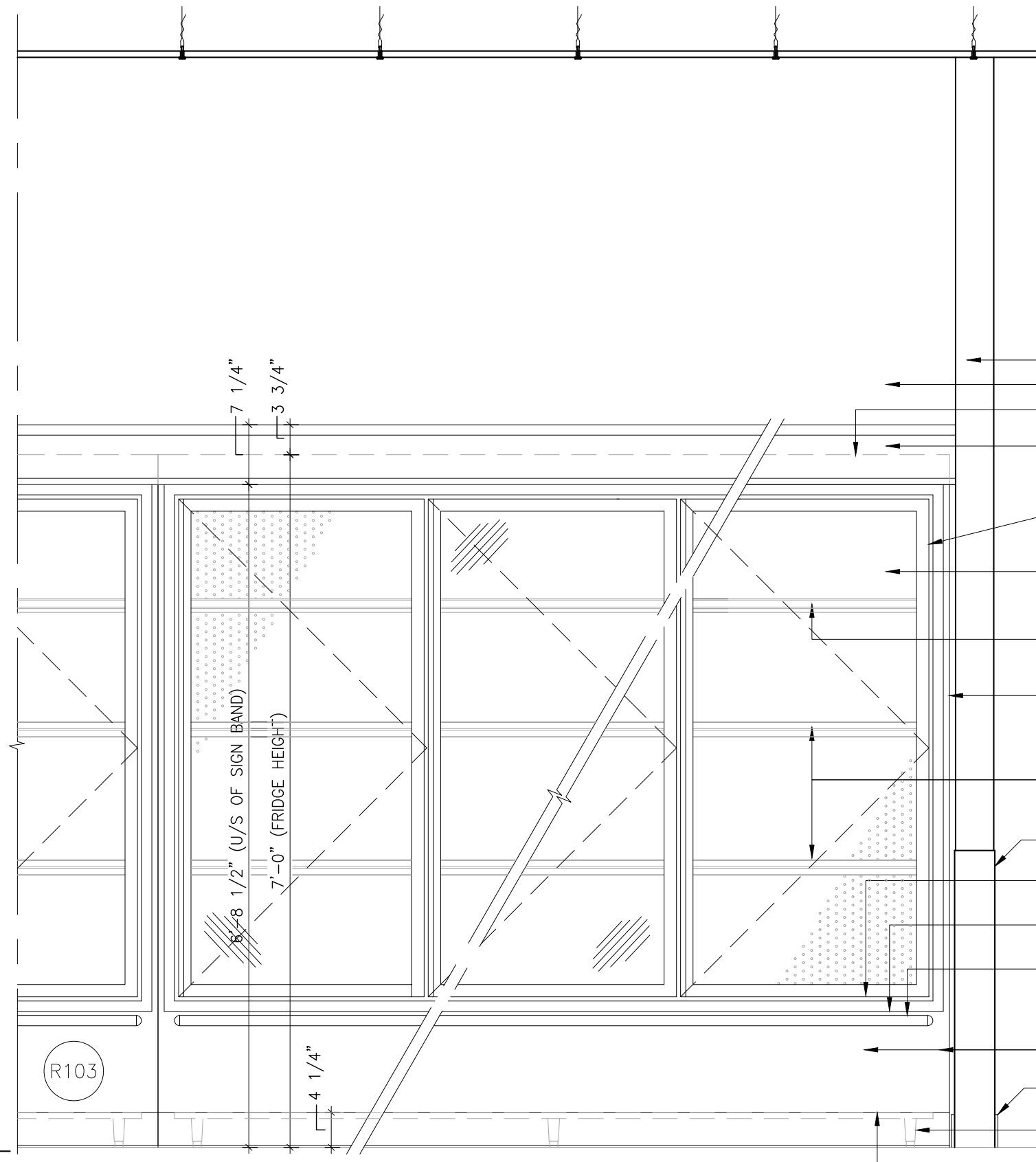
GENERAL NOTES:

- ALL UNITS TO BE SET TO OPERATE AS PER LCBO SPEC. SECTION 11 40 00
- TICKET MOULDINGS AS PER LCBO SPEC, FOR FINISHES NOTED ON THE DRAWINGS.
- HUB DRAIN TO BE RELOCATED AS INDICATED ON THE MECHANICAL DRAWINGS.
- REMOTE COMPRESSOR TO BE ROOF MOUNTED WHERE POSSIBLE.
- PROVIDE CONDENSATE PUMP IF REQUIRED REFER TO LCBO SPEC. SECTION 11 40 00
- CONDENSING UNIT TO BE COMPLETE W/ CSA APPROVED WEATHER-PROOFED DISCONNECTED SWITCH.
- REFRIGERANT TO BE 404a.
- ELECTRICAL SERVICE - REFER TO LCBO SPECIFICATIONS SECTION 11 40 00 REFRIGERATION CASE: 110V, 15 AMP
- WIRING OF CONTROL TO BE CONCEALED. ELECTRICAL CONTRACTOR TO PROVIDE REGULAR LINE VOLTAGE WIRING FROM COMPRESSOR TO CASE AND/OR FAN COIL UNIT.
- REFRIGERATOR UNIT SHOULD BE MANUFACTURED IN KNOCK DOWN COMPONENTS TO MAKE SURE THEY CAN GO THROUGH A MINIMUM DOOR WIDTH OF 36".
- CONTRACTOR TO PROVIDE A PAINTED SHELF CANTILEVER FOR COLOUR APPROVAL BY THE LCBO.
- CONTRACTOR TO USE ANTI-FUNGAL PAINT ON DRYWALL SURFACES ("PENNSANITEX") - STANDARD
- FOR ALL TECHNICAL REFERENCES REFER TO LCBO SPECIFICATIONS SECTION 11 40 00
- REFRIGERATOR UNIT TO BE INSTALLED PRIOR TO INSTALLATION OF DOUBLE-ACTING STOCK DOORS.
- STANDARD REFRIGERATION UNIT LENGTHS ARE 8'-0", 10'-0" AND 12'-0". REFER TO ARCHITECTURAL PLANS FOR QUANTITIES.

LCBO	R100 REFRIGERATION	REVISION DATE	REV.	1 of 3	ISSUE DATE	STORE TYPE	STORE #
	PERIMETER WINE REFRIGERATION C/W CONTINUOUS METAL FASCIA PANEL & COOLER DOORS (WITHIN BEER ALCOVE)	2021 MAR.	17	R105	2021 APR		

REFRIGERATION UNIT MANUFACTURER TO PROVIDE A DIGITAL THERMOSTAT IN EVERY UNIT. MANUFACTURER TO CONFIRM DIGITAL THERMOSTAT LOCATION WITH LCBO PROJECT COORDINATOR PRIOR TO FABRICATION. PROVIDE SHOP DWG PRIOR TO FABRICATION

- NOTE:**
1. ALL METAL TICKET HOLDERS TO RECEIVE 1 3/4" PLASTIC TICKET HOLDER INSERT (SUPPLIED & INSTALLED BY METAL SHELVING SUPPLIER) TO SPAN LENGTH OF SHELF SECTION
 2. FOR NEW STORES AND RENO PROJECTS, ALL SIGN BAND TO BE SUPPLIED AND INSTALLED BY METAL SHELVING SUPPLIER
 3. FOR FACILITY PROJECT, SIGN BAND TO BE SUPPLIED & INSTALLED BY NEELANDS
 4. IF REFRIDGERATOR REQUIRED TO ALIGN W/ 7'-6"HT. PERIMETER FIXTURE, SIGN BAND IS OMITTED.
 5. IF REFRIDGERATOR REQUIRED TO ALIGN W/ 7'-10"HT. PERIMETER FIXTURE, MILLWORK VALANCE IS REQUIRED TO EXTEND SIGN BAND TO ALIGN W/ ADJACENT FIXTURE. VALANCE TO BE SUPPLIED AND INSTALLED BY MILLWORKER

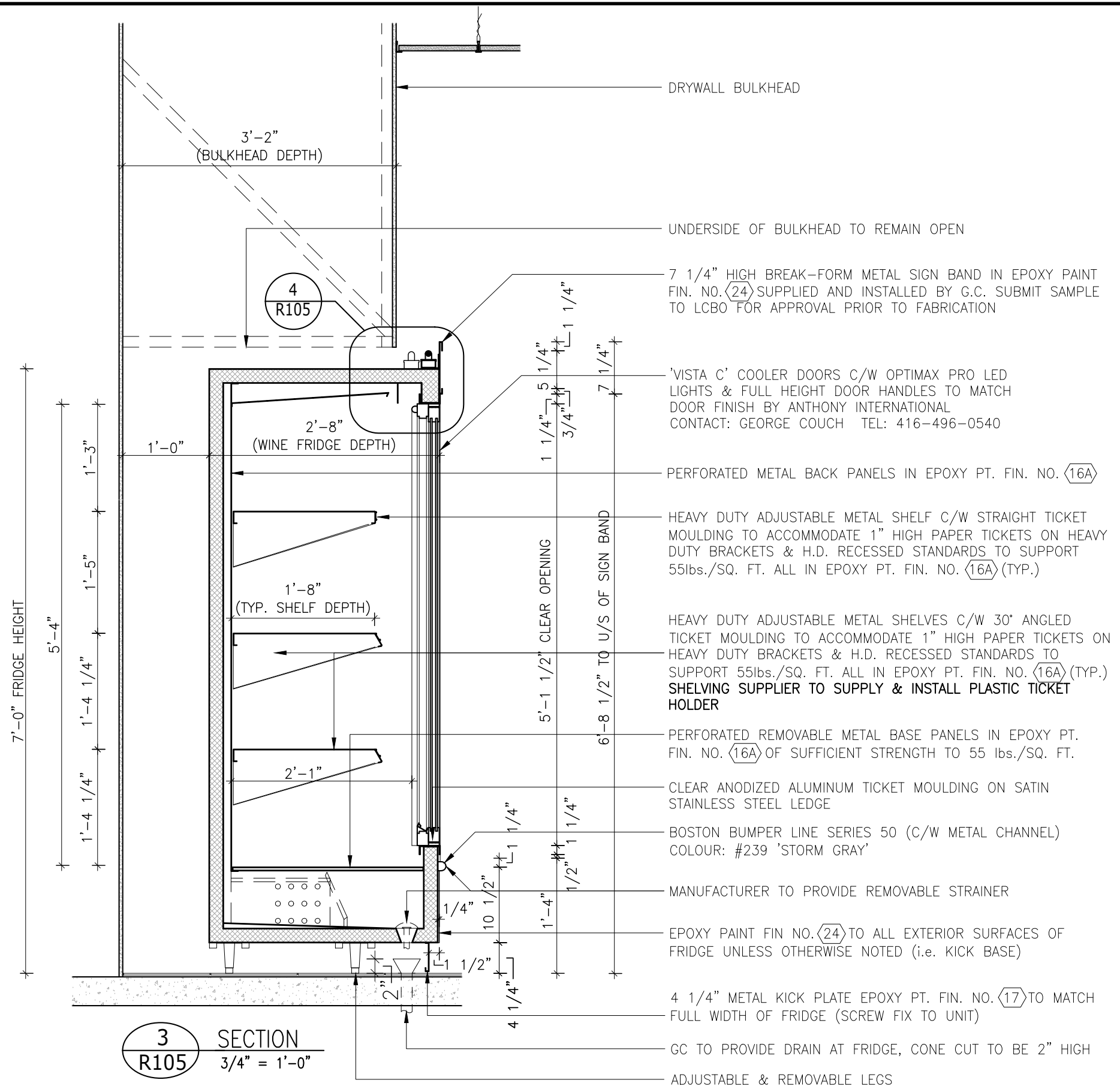


- DRYWALL NIB WALL
- DRYWALL BULKHEAD
- DOTTED LINE DENOTES TOP OF FRIDGE BEHIND SIGN BAND
- 7 1/4" HIGH BREAK-FORM METAL SIGN BAND IN EPOXY PAINT FIN. NO. (24) SUPPLIED AND INSTALLED BY G.C. SUBMIT SAMPLE TO LCBO FOR APPROVAL PRIOR TO FABRICATION
- 'VISTA C' COOLER DOORS C/W OPTIMAX PRO LED LIGHTS & FULL HEIGHT DOOR HANDLES TO MATCH DOOR FINISH BY ANTHONY INTERNATIONAL CONTACT: GEORGE COUCH TEL: 416-496-0540
- PERFORATED METAL BACK PANELS IN EPOXY PT. FIN. NO. (16A)
- HEAVY DUTY ADJUSTABLE METAL SHELVES C/W STRAIGHT TICKET MOULDING TO ACCOMMODATE 1" HIGH PAPER TICKETS ON HEAVY DUTY BRACKETS & H.D. RECESSED STANDARDS TO SUPPORT 55lbs./SQ. FT. ALL IN EPOXY PT. FIN. NO. (16A) (TYP.)
- F206 BY MILLWORK CONTRACTOR AS REQUIRED
- HEAVY DUTY ADJUSTABLE METAL SHELVES C/W 30° ANGLED TICKET MOULDING TO ACCOMMODATE 1" HIGH PAPER TICKETS ON HEAVY DUTY BRACKETS & H.D. RECESSED STANDARDS TO SUPPORT 55lbs./SQ. FT. ALL IN EPOXY PT. FIN. NO. (16A) (TYP.)
- F211 BY BY GC
- CLEAR ANODIZED ALUMINUM TICKET MOULDING
- SATIN STAINLESS STEEL LEDGE
- BOSTON BUMPER LINE SERIES 50 (C/W METAL CHANNEL) COLOUR: #239 'STORM GRAY'
- EPOXY PAINT FIN. NO. (24) TO ALL EXTERIOR SURFACES OF FRIDGE UNLESS OTHERWISE NOTED (i.e. KICK BASE)
- 4" HIGH TILE BASE BEYOND
- DOTTED LINES OF ADJUSTABLE & REMOVABLE LEGS
- 4 1/4" METAL KICK PLATE EPOXY PT. FIN. NO. (17) TO MATCH FULL WIDTH OF FRIDGE (SCREW FIX TO UNIT)

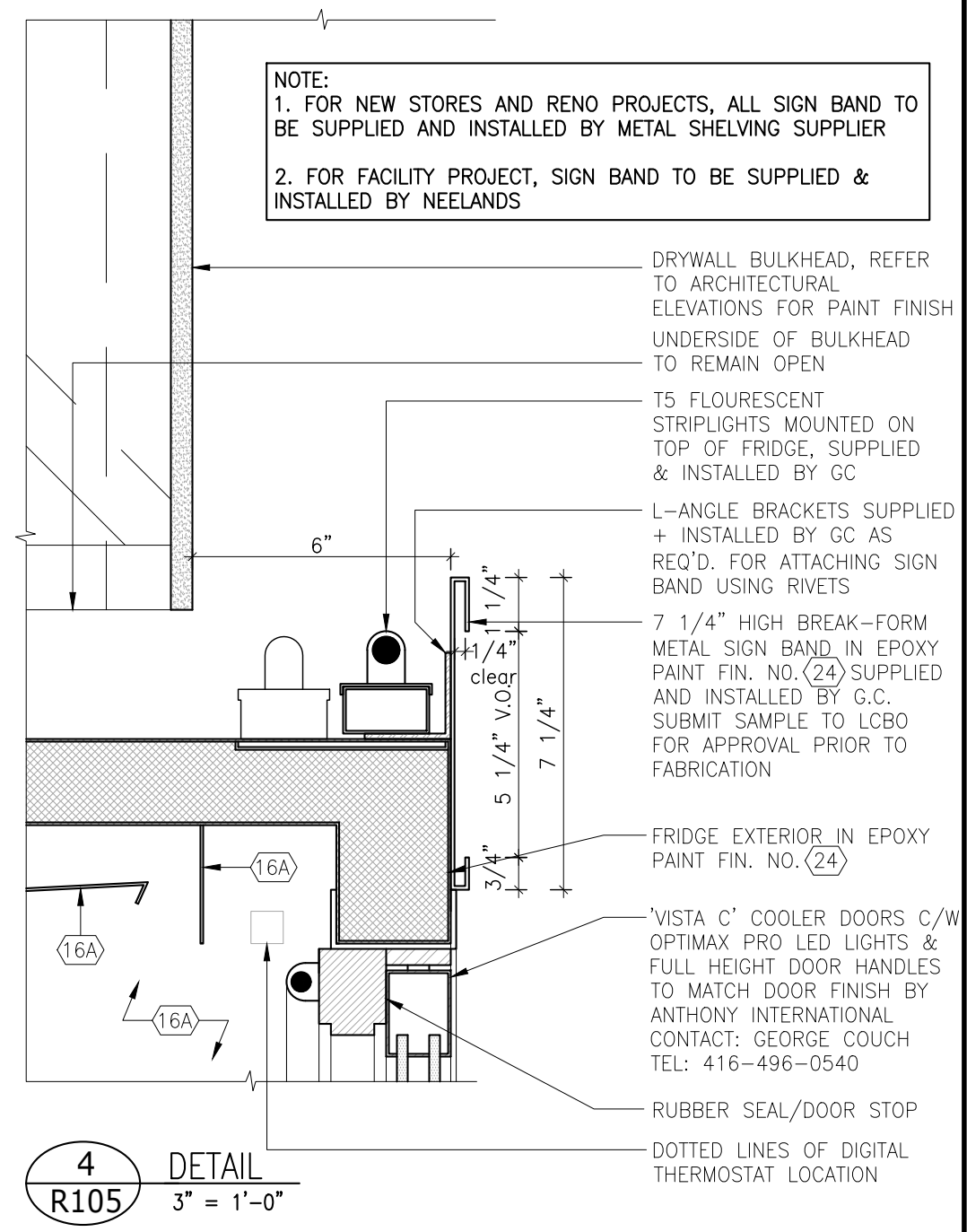
2
R105 ELEVATION
3/4" = 1'-0"

PLEASE NOTE THAT THESE DWGS ARE FOR REFERENCE ONLY. REFRIGERATION SUPPLIER (NEELAND'S) SHOP DWGS TO BE PROVIDED PENDING LCBO APPROVAL.

LCBO	R100 REFRIGERATION	REVISION DATE	REV.	2 of 3	ISSUE DATE	STORE TYPE	STORE #
	PERIMETER WINE REFRIGERATION C/W CONTINUOUS METAL FASCIA PANEL & COOLER DOORS (WITHIN BEER ALCOVE)	2021 MAR.	17	R105	2021 APR		



3 SECTION
R105 3/4" = 1'-0"

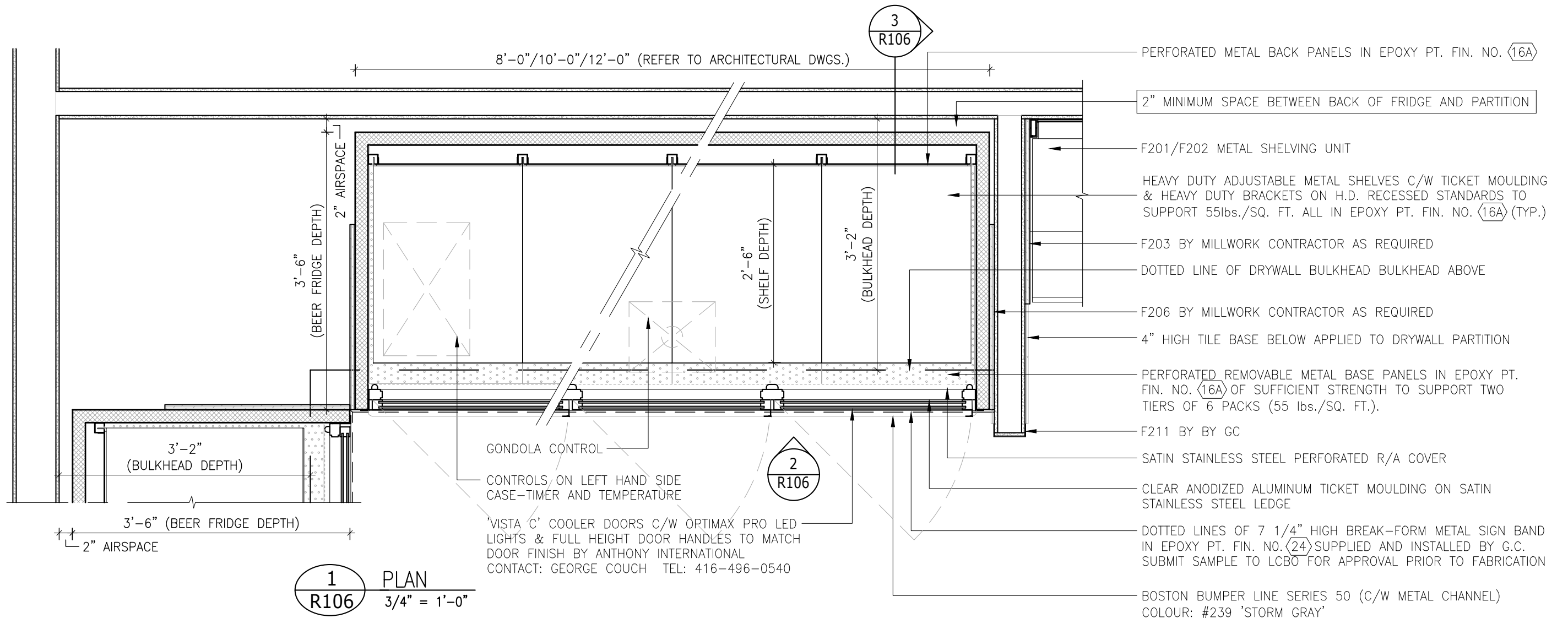


NOTE: FLOOR DRAIN BY GENERAL CONTRACTOR. IF DRAIN IS NOT AVAILABLE, REFG. SUPPLIER TO PROVIDE CONDENSATE PUMP AND PLASTIC TUBING TO AN AVAILABLE DRAIN. (LOCATION TO BE CONFIRMED WITH REFRIGERATOR SUPPLIER & THE LCBO.)

PLEASE NOTE THAT THESE DWGS ARE FOR REFERENCE ONLY. REFRIGERATION SUPPLIER (NEELAND'S) SHOP DWGS TO BE PROVIDED PENDING LCBO APPROVAL.

LCBO	R100 REFRIGERATION	REVISION DATE	REV.	3 of 3	ISSUE DATE	STORE TYPE	STORE #
	PERIMETER WINE REFRIGERATION C/W CONTINUOUS METAL FASCIA PANEL & COOLER DOORS (WITHIN BEER ALCOVE)	2021 MAR.	17	R105	2021 APR		

PLEASE NOTE THAT THESE DWGS ARE FOR REFERENCE ONLY. REFRIGERATION SUPPLIER (NEELAND'S) SHOP DWGS TO BE PROVIDED PENDING LCBO APPROVAL.



GENERAL NOTES:

1. ALL UNITS TO BE SET TO OPERATE AS PER LCBO SPEC. SECTION 11 40 00
2. TICKET MOULDINGS AS PER LCBO SPEC, FOR FINISHES NOTED ON THE DRAWINGS.
3. HUB DRAIN TO BE RELOCATED AS INDICATED ON THE MECHANICAL DRAWINGS.
4. REMOTE COMPRESSOR TO BE ROOF MOUNTED WHERE POSSIBLE.
5. PROVIDE CONDENSATE PUMP IF REQUIRED REFER TO LCBO SPEC. SECTION 11 40 00
6. CONDENSING UNIT TO BE COMPLETE W/ CSA APPROVED WEATHER-PROOFED DISCONNECTED SWITCH.
7. REFRIGERANT TO BE 404a.
8. ELECTRICAL SERVICE – REFER TO LCBO SPECIFICATIONS SECTION 11 40 00 REFRIGERATION CASE: 110V, 15 AMP
9. WIRING OF CONTROL TO BE CONCEALED. ELECTRICAL CONTRACTOR TO PROVIDE REGULAR LINE VOLTAGE WIRING FROM COMPRESSOR TO CASE AND/OR FAN COIL UNIT.
10. REFRIGERATOR UNIT SHOULD BE MANUFACTURED IN KNOCK DOWN COMPONENTS TO MAKE SURE THEY CAN GO THROUGH A MINIMUM DOOR WIDTH OF 36".
11. CONTRACTOR TO PROVIDE A PAINTED SHELF CANTILEVER FOR COLOUR APPROVAL BY THE LCBO.
12. CONTRACTOR TO USE ANTI-FUNGAL PAINT ON DRYWALL SURFACES ("PENNSANITEX") – STANDARD
13. FOR ALL TECHNICAL REFERENCES REFER TO LCBO SPECIFICATIONS SECTION 11 40 00
14. REFRIGERATOR UNIT TO BE INSTALLED PRIOR TO INSTALLATION OF DOUBLE-ACTING STOCK DOORS.
15. STANDARD REFRIGERATION UNIT LENGTHS ARE 8'-0", 10'-0" AND 12'-0". REFER TO ARCHITECTURAL PLANS FOR QUANTITIES.

LCBO	R100 REFRIGERATION	REVISION DATE	REV.	1 of 3	ISSUE DATE	STORE TYPE	STORE #
	PERIMETER BEER REFRIGERATION C/W CONTINUOUS METAL FASCIA PANEL & COOLER DOORS	2021 MAR.	17	R106	2021 APR		

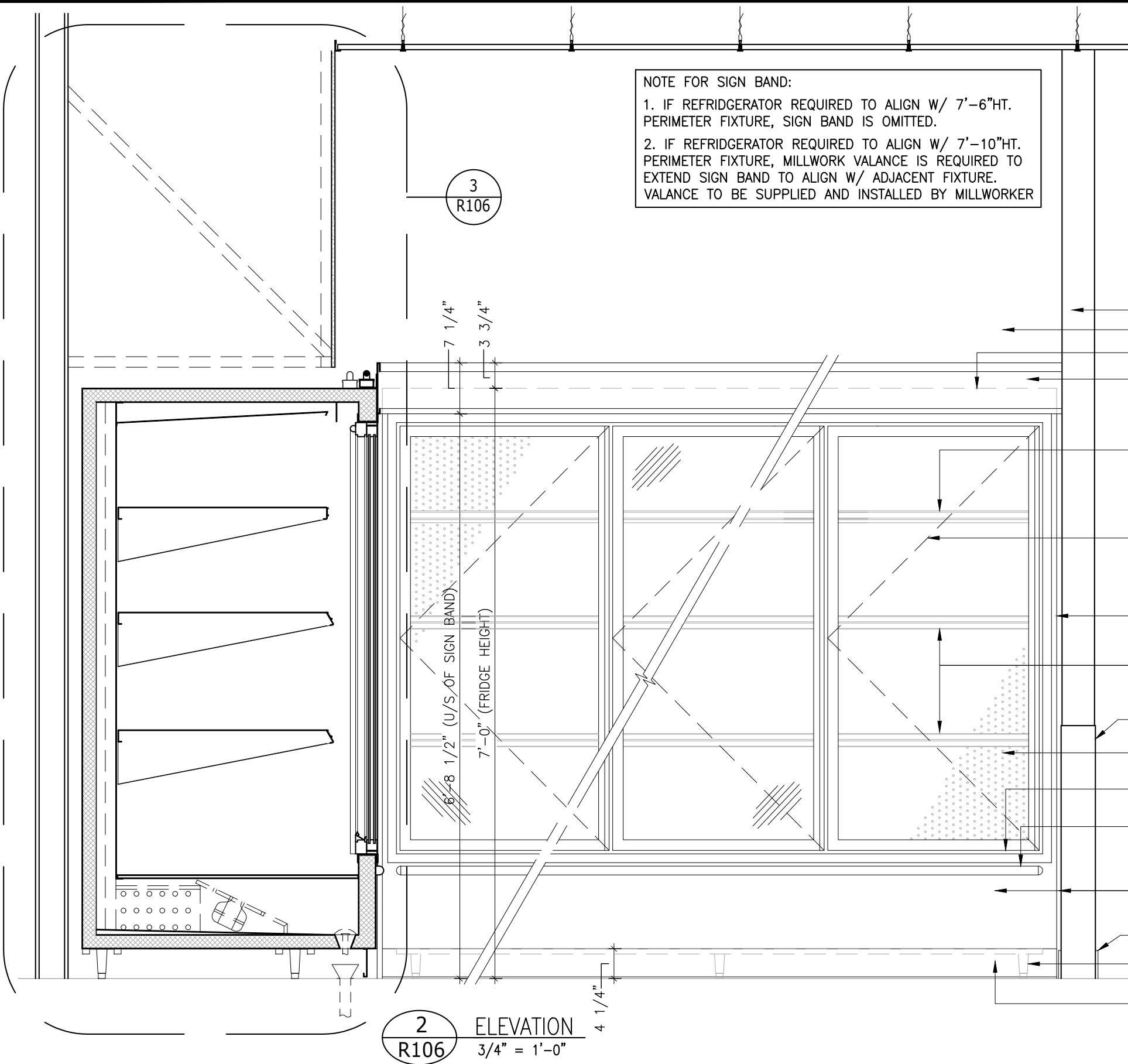
NOTE FOR SIGN BAND:

1. IF REFRIDGERATOR REQUIRED TO ALIGN W/ 7'-6"HT. PERIMETER FIXTURE, SIGN BAND IS OMITTED.
2. IF REFRIDGERATOR REQUIRED TO ALIGN W/ 7'-10"HT. PERIMETER FIXTURE, MILLWORK VALANCE IS REQUIRED TO EXTEND SIGN BAND TO ALIGN W/ ADJACENT FIXTURE. VALANCE TO BE SUPPLIED AND INSTALLED BY MILLWORKER

REFRIGERATION UNIT MANUFACTURER TO PROVIDE A DIGITAL THERMOSTAT IN EVERY UNIT. MANUFACTURER TO CONFIRM DIGITAL THERMOSTAT LOCATION WITH LCBO PROJECT COORDINATOR PRIOR TO FABRICATION. PROVIDE SHOP DWG PRIOR TO FABRICATION

NOTE:

1. ALL METAL TICKET HOLDERS TO RECEIVE 1 3/4" PLASTIC TICKET HOLDER INSERT (SUPPLIED & INSTALLED BY METAL SHELVING SUPPLIER) TO SPAN LENGTH OF SHELF SECTION
2. FOR NEW STORES AND RENO PROJECTS, ALL SIGN BAND TO BE SUPPLIED AND INSTALLED BY METAL SHELVING SUPPLIER
3. FOR FACILITY PROJECT, SIGN BAND TO BE SUPPLIED & INSTALLED BY NEELANDS

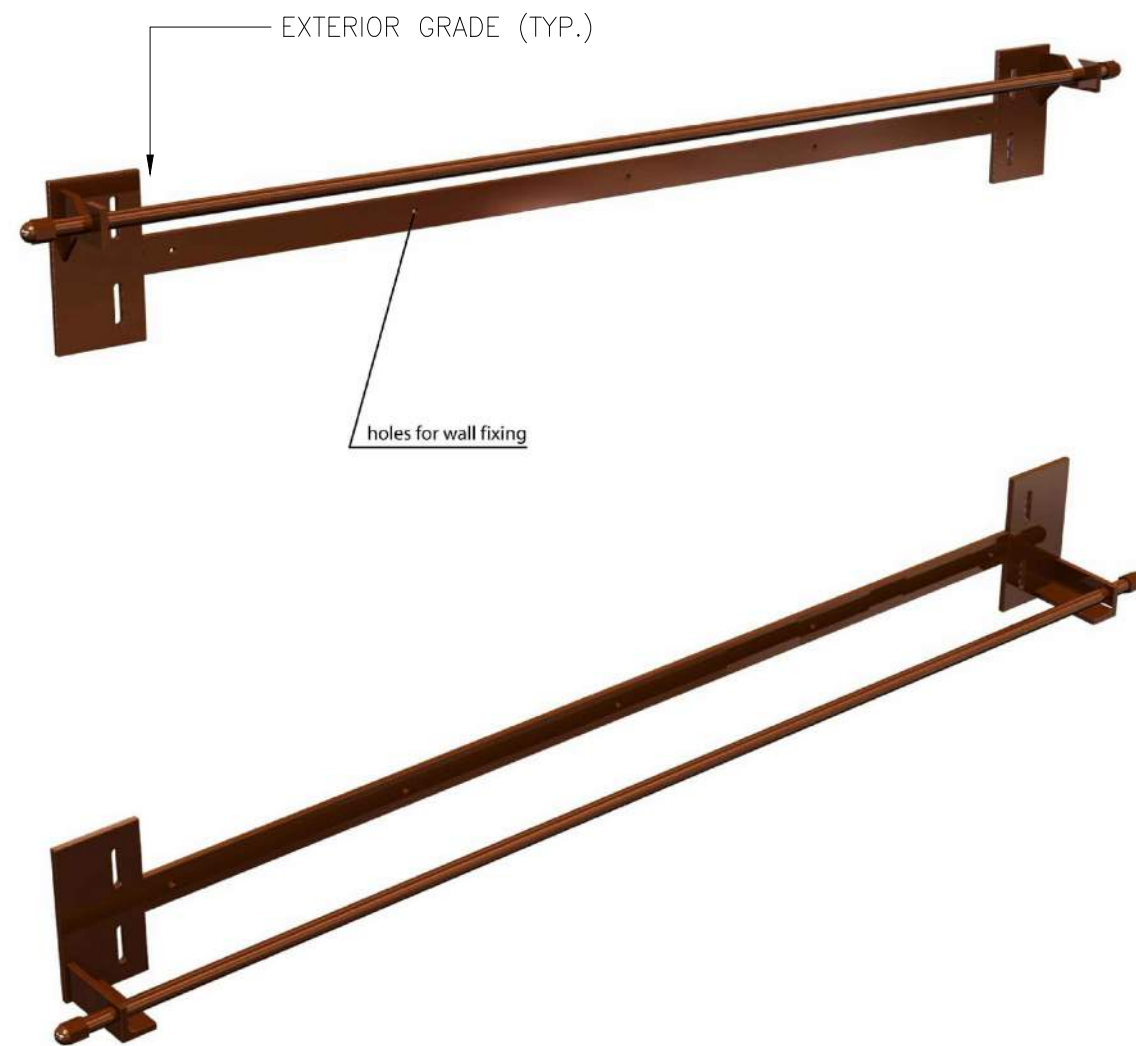


- DRYWALL NIB WALL
- DRYWALL BULKHEAD
- DOTTED LINE DENOTES TOP OF FRIDGE BEHIND SIGN BAND
- 7 1/4" HIGH BREAK-FORM METAL SIGN BAND IN EPOXY PAINT FIN. NO. (24) SUPPLIED AND INSTALLED BY G.C. SUBMIT SAMPLE TO LCBO FOR APPROVAL PRIOR TO FABRICATION
- HEAVY DUTY ADJUSTABLE METAL SHELVES C/W STRAIGHT TICKET MOULDING TO ACCOMMODATE 1" HIGH PAPER TICKETS ON HEAVY DUTY BRACKETS & H.D. RECESSED STANDARDS TO SUPPORT 55lbs./SQ. FT. ALL IN EPOXY PT. FIN. NO. (16A) (TYP.)
- 'VISTA C' COOLER DOORS C/W OPTIMAX PRO LED LIGHTS & FULL HEIGHT DOOR HANDLES TO MATCH DOOR FINISH BY ANTHONY INTERNATIONAL CONTACT: GEORGE COUCH TEL: 416-496-0540
- F206 BY MILLWORK CONTRACTOR AS REQUIRED
- HEAVY DUTY ADJUSTABLE METAL SHELVES C/W 30° ANGLED TICKET MOULDING TO ACCOMMODATE 1" HIGH PAPER TICKETS ON HEAVY DUTY BRACKETS & H.D. RECESSED STANDARDS TO SUPPORT 55lbs./SQ. FT. ALL IN EPOXY PT. FIN. NO. (16A) (TYP.)
- F211 BY BY GC
- PERFORATED METAL BACK PANELS BEYOND IN EPOXY PT. FIN. NO. (16A)
- SATIN STAINLESS STEEL LEDGE
- BOSTON BUMPER LINE SERIES 50 (C/W METAL CHANNEL) COLOUR: #239 'STORM GRAY'
- EPOXY PAINT FIN NO. (24) TO ALL EXTERIOR SURFACES OF FRIDGE UNLESS OTHERWISE NOTED (i.e. KICK BASE)
- 4" HIGH TILE BASE BEYOND FIN. NO. (42)
- DOTTED LINES OF ADJUSTABLE & REMOVABLE LEGS
- 4 1/4" METAL KICK PLATE EPOXY PT. FIN. NO. (17) TO MATCH FULL WIDTH OF FRIDGE (SCREW FIX TO UNIT)

2 ELEVATION
R106 3/4" = 1'-0"

PLEASE NOTE THAT THESE DWGS ARE FOR REFERENCE ONLY. REFRIGERATION SUPPLIER (NEELAND'S) SHOP DWGS TO BE PROVIDED PENDING LCBO APPROVAL.

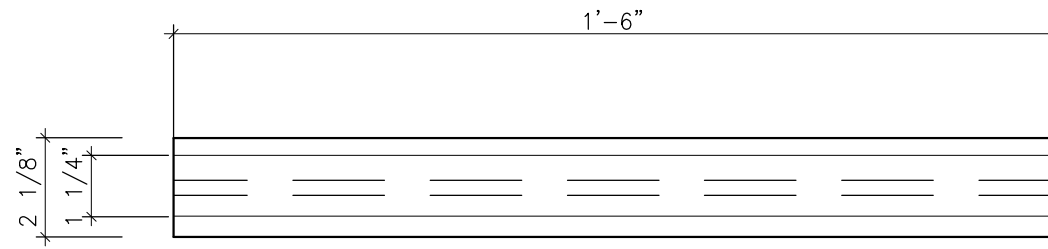
LCBO	R100 REFRIGERATION	REVISION DATE	REV.	2 of 3	ISSUE DATE	STORE TYPE	STORE #
	PERIMETER BEER REFRIGERATION C/W CONTINUOUS METAL FASCIA PANEL & COOLER DOORS	2021 MAR.	17	R106	2021 APR		



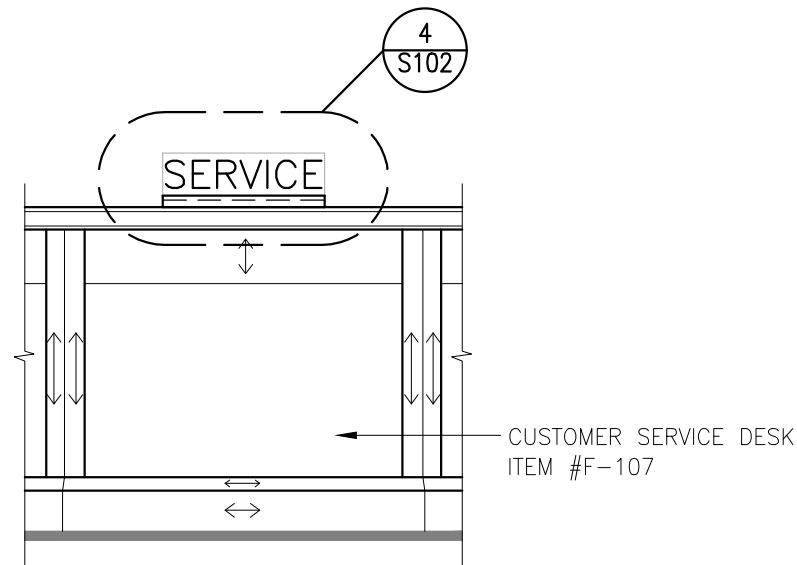
G.C. TO CONFIRM CL TO CL DIMENSION BETWEEN BRACKETS W/ BANNER SUPPLIER

BRACKETS SUPPLIED BY LCBO,
 INSTALLED BY GC.
 REFER TO ARCHITECTURAL
 DWGS/SPECS.

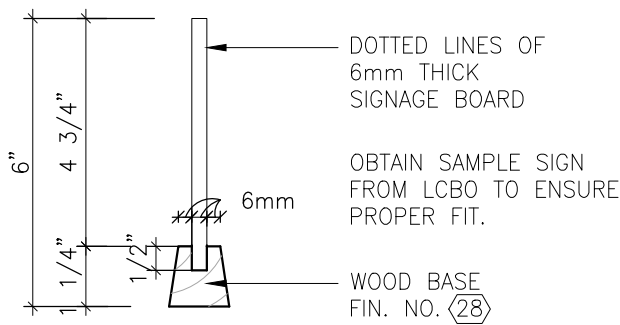
LCBO	S100 SIGNAGE/GRAPHICS	REVISION DATE	REV.	1 of 1	ISSUE DATE	STORE TYPE	STORE #
	EXTERIOR DISPLAY BANNER	2019 APR	16	S101	2021 APR		



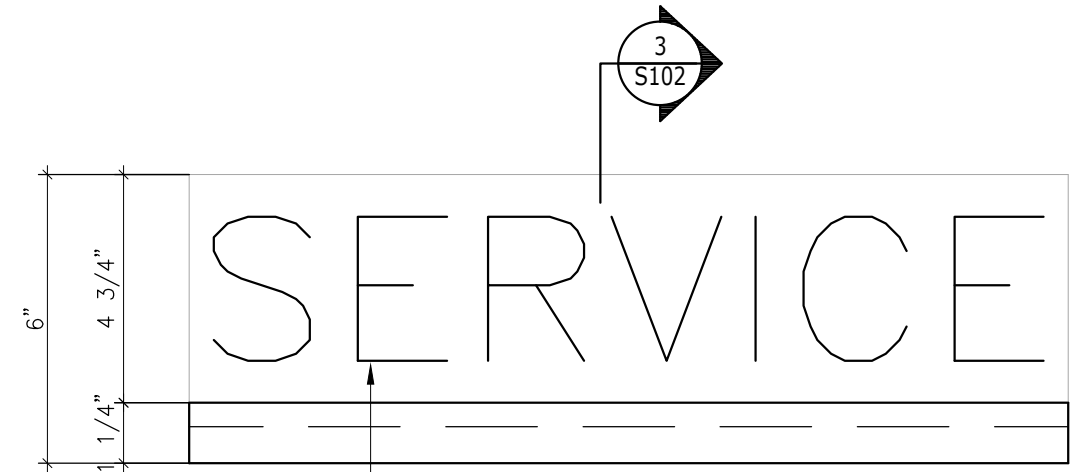
1 PLAN
S102 3" = 1"



2 ELEVATION
S102 3/4" = 1"

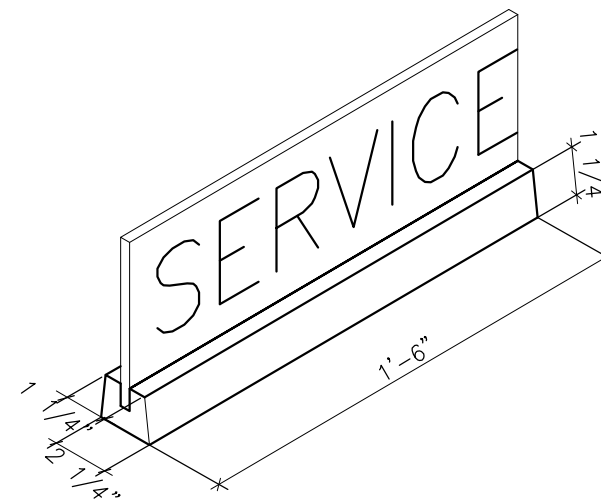


3 SECTION
S102 3" = 1"



4 ELEVATION
S102 3" = 1"

LCBO TO CONFIRM 'SERVICE' LETTERING SIZE AND TYPE.
LCBO TO PROVIDE SIGN.

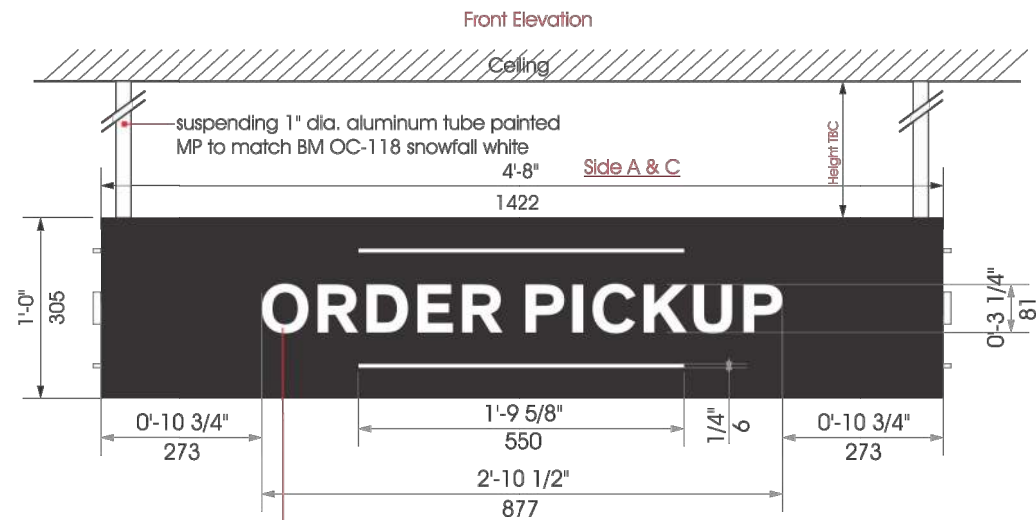


5 AXONOMETRIC
S102 N.T.S.

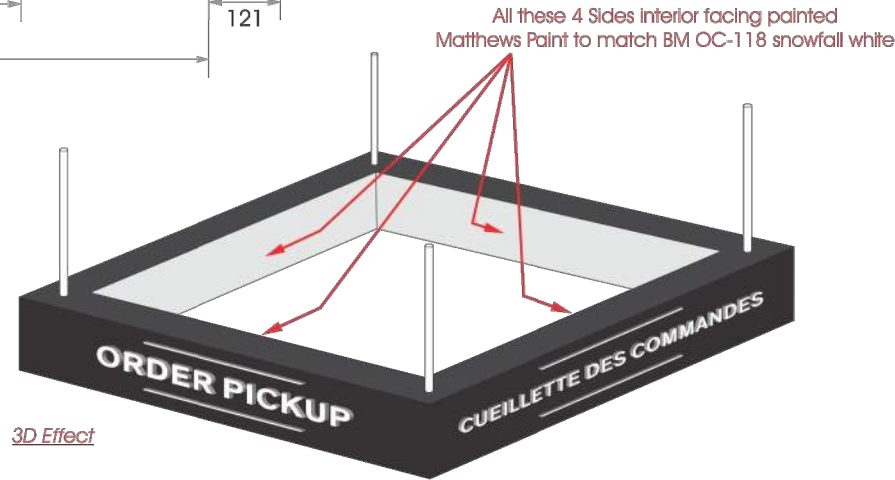
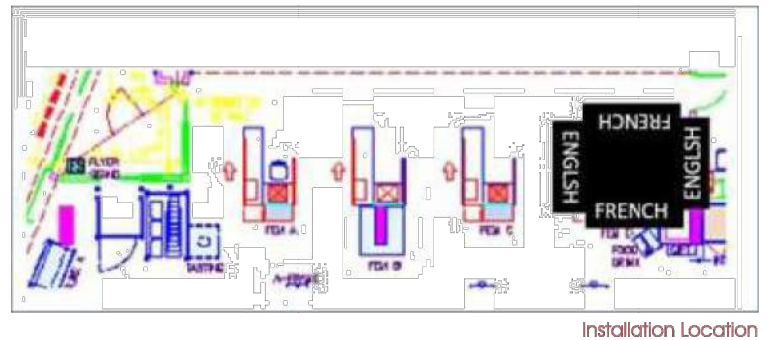
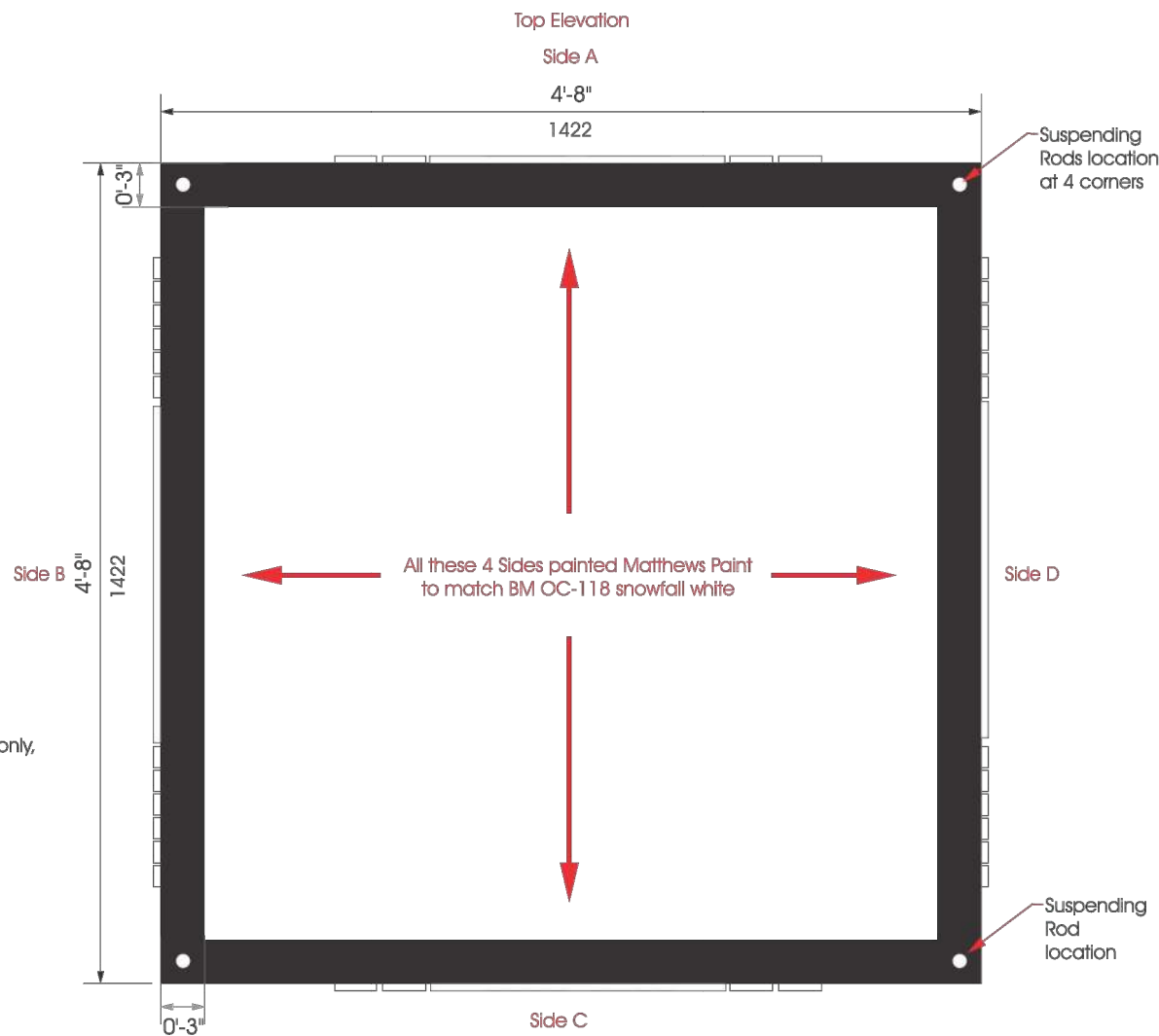
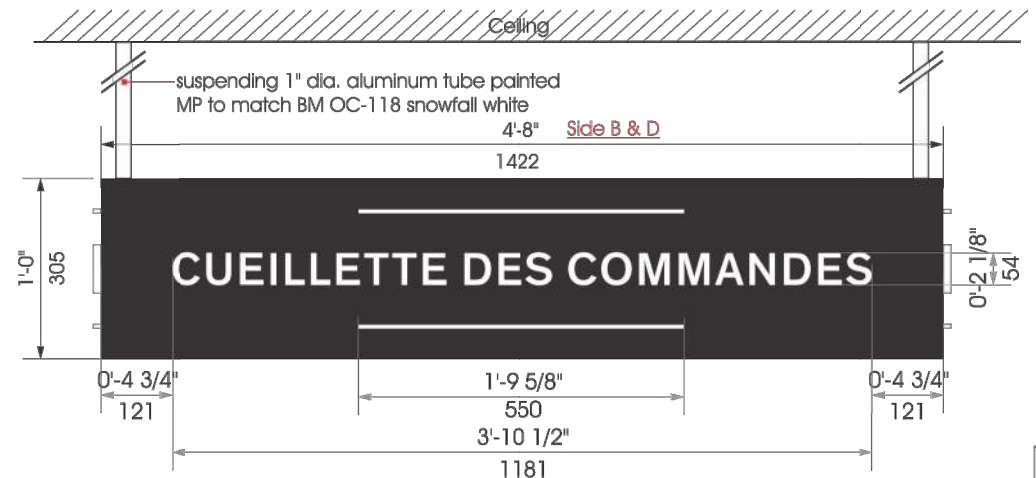
SUPPLIED BY LCBO

LCBO	S100 SIGNAGE/GRAPHICS	REVISION DATE	REV.	1 of 1	ISSUE DATE	STORE TYPE	STORE #
	SURFACE-MOUNTED 'SERVICE' SIGN	2008 MAR20	00	S102	2021 APR		

Suspended Sign w/ Push-Thru Letters - 1 Set



Push Through Letter
 Face - 3M 3735-60 Diffuser Film White
 Edge - Semi-Frosted
 Raised - 1/2"
 Material - 3/4" thk clear acrylic
 Light Source - Allanson LEDgen2 S05W2CW B (6500K)
 Alum. sign box - 1/8" Thk. Aluminum painted MP59647 Black is Back (Front Face, Top & bottom) only,
 Rear face painted MP to match BM OC-118 snowfall white



- All sizes to be confirmed upon site check.
- All colours to be confirmed by client.
- Client will pin point exact position at site.
- This drawing is for concept only, not for quotation & production.
- This is the final free of charge revision, the next change is subject to a service fee of **\$50.00** per change.
- This change is subject to a service fee of **\$50.00** per change.
- Refer to structural drawing before fabrication & installation.

FORWARD SIGNS INC.
 60 Emblem Court, Scarborough
 Ontario M1S 1B1
 Tel: 416.291.4477
 Fax: 416.291.4678
 E-mail: info@forwardsign.com

CLIENT
LOCATION
PROJECT
Rectangle Suspended Sign
DRAWN BY
Anthony
FILE NAME
DATE OF DRAWING
Oct., 28, 2020
SCALE
SALESPERSON
Holly
REMARKS
CLIENT APPROVED / DATE
ART DEPT. APPROVED / DATE



This drawing is the property of Forward Signs Inc. No partial or complete reproduction in any form of this drawing is allowed without the written consent and permission from Forward Signs Inc.

LCBO	S100 - SIGNAGE	REVISION DATE	REV.	1 of 2	ISSUE DATE	STORE TYPE	STORE #
	ILLUMINATED SIGN - ORDER PICK UP	-	-	S103A	2021 APR	-	-

ITEM 1: SUSPENDED SIGN W/ PUSH THRU LETTER (LARGE)

ELECTRICAL REQUIREMENT:

120 VOLT. 120 W
 347

AREA & WEIGHT OF SIGN

NOTE

POWER TO SIGN NOT BY FORWARD SIGNS
 FOR AN OUTDOOR SIGN, MAKE $\frac{1}{4}$ " Ø DRAIN HOLES AT BOTTOM OF A SIGN.



60 Emblem Court, Scarborough,
 Ontario, M1S 1B1
 Tel: (416) 291-4477
 Fax: (416) 291-4678
 E-mail: info@forwardsign.com

CLIENT

LCBO

LOCATION

PROJECT

RECTANGLE SUSPENDED SIGN

DRAWN BY

JACK

FILE NAME

DATE OF DRAWING

OCT 28, 2020

SCALE

AS NOTED

SALESMAN

HOLLY

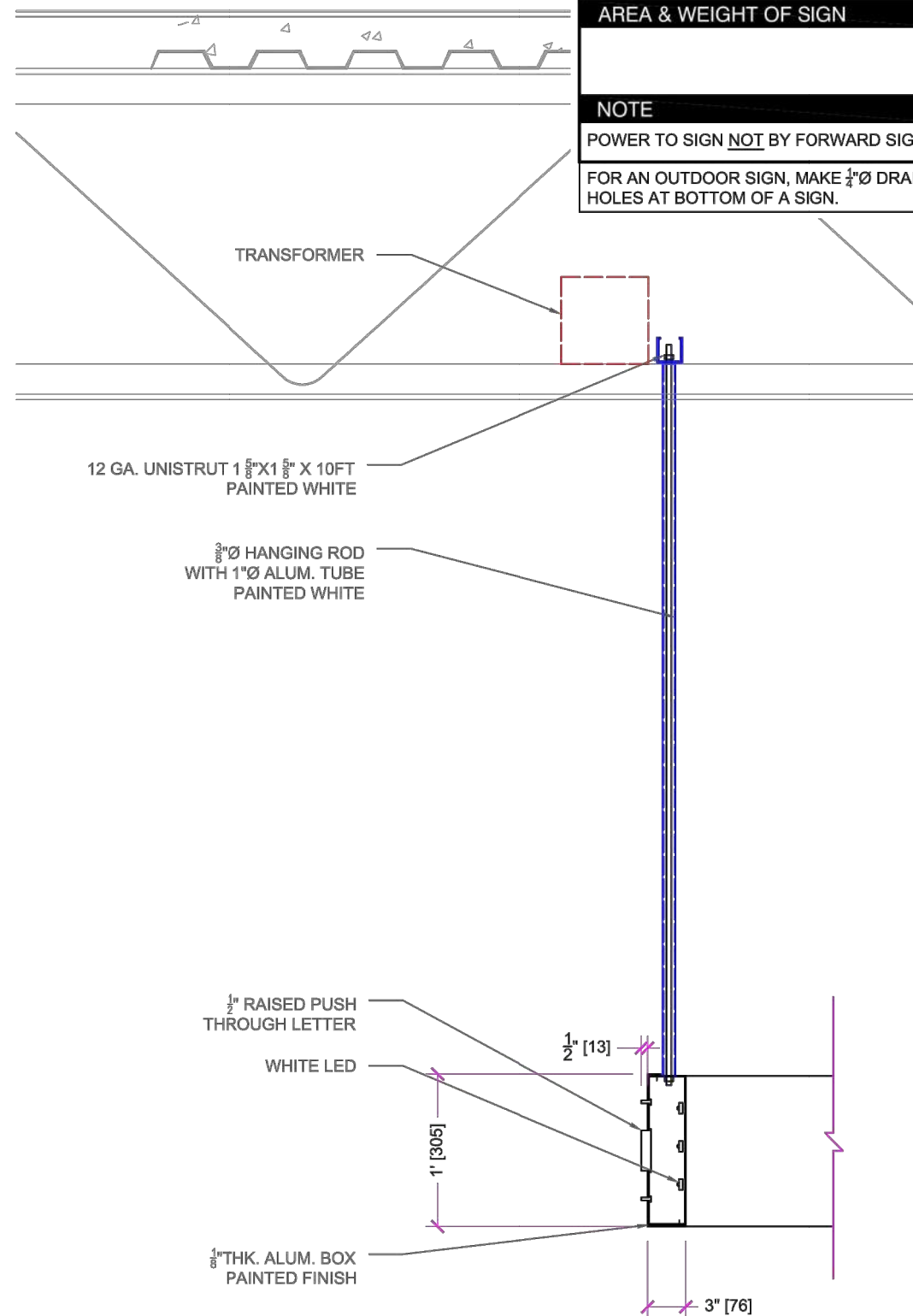
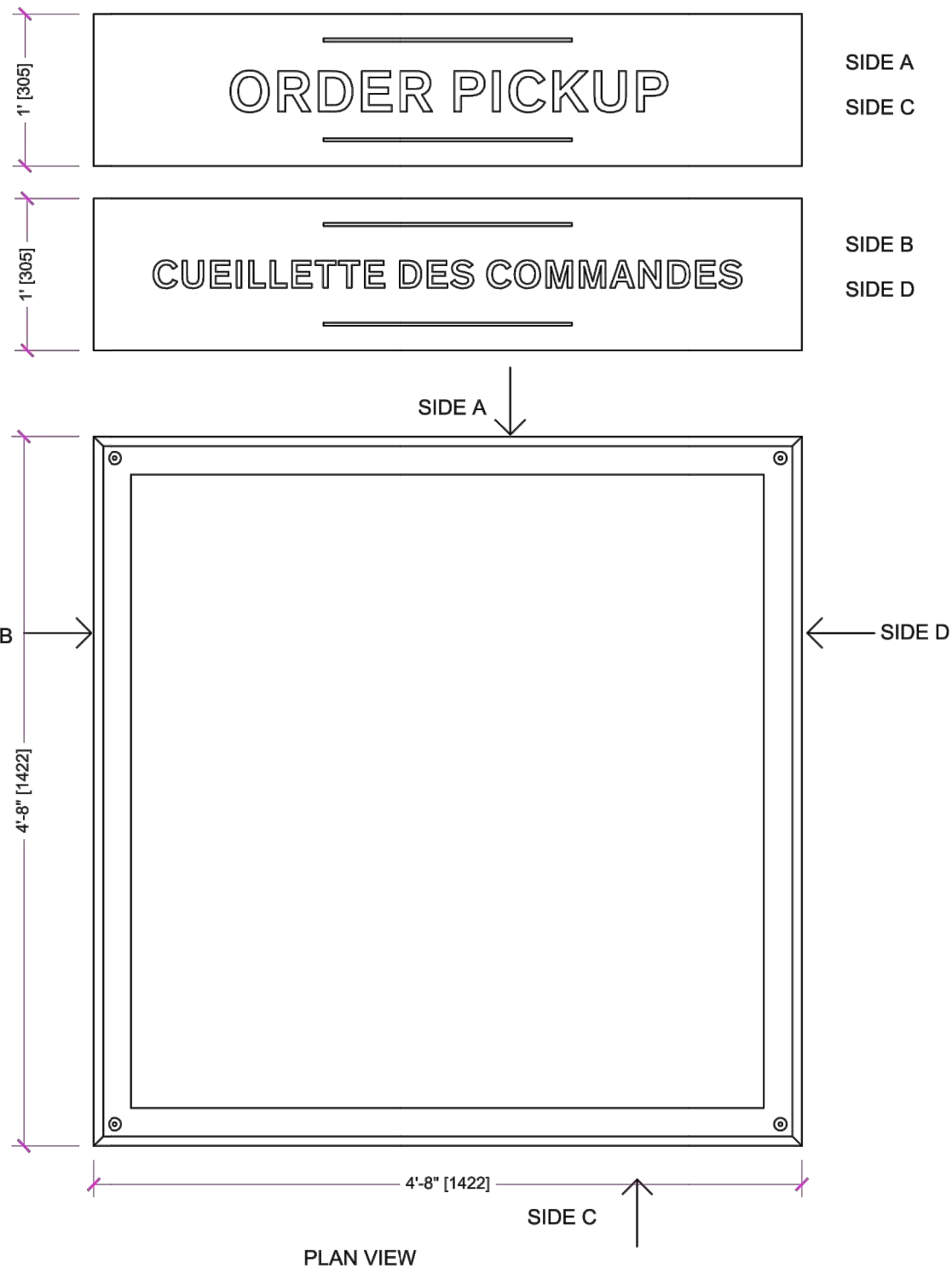
ENGINEERS STAMP

CLIENT APPROVED / DATE

ART DEPT. APPROVED / DATE

DRAWING NO. PAGE NO.

01



This drawing is the property of Forward Signs Inc. No partial or complete reproduction in any form of this drawing is allowed without the written consent and permission from Forward Signs Inc.

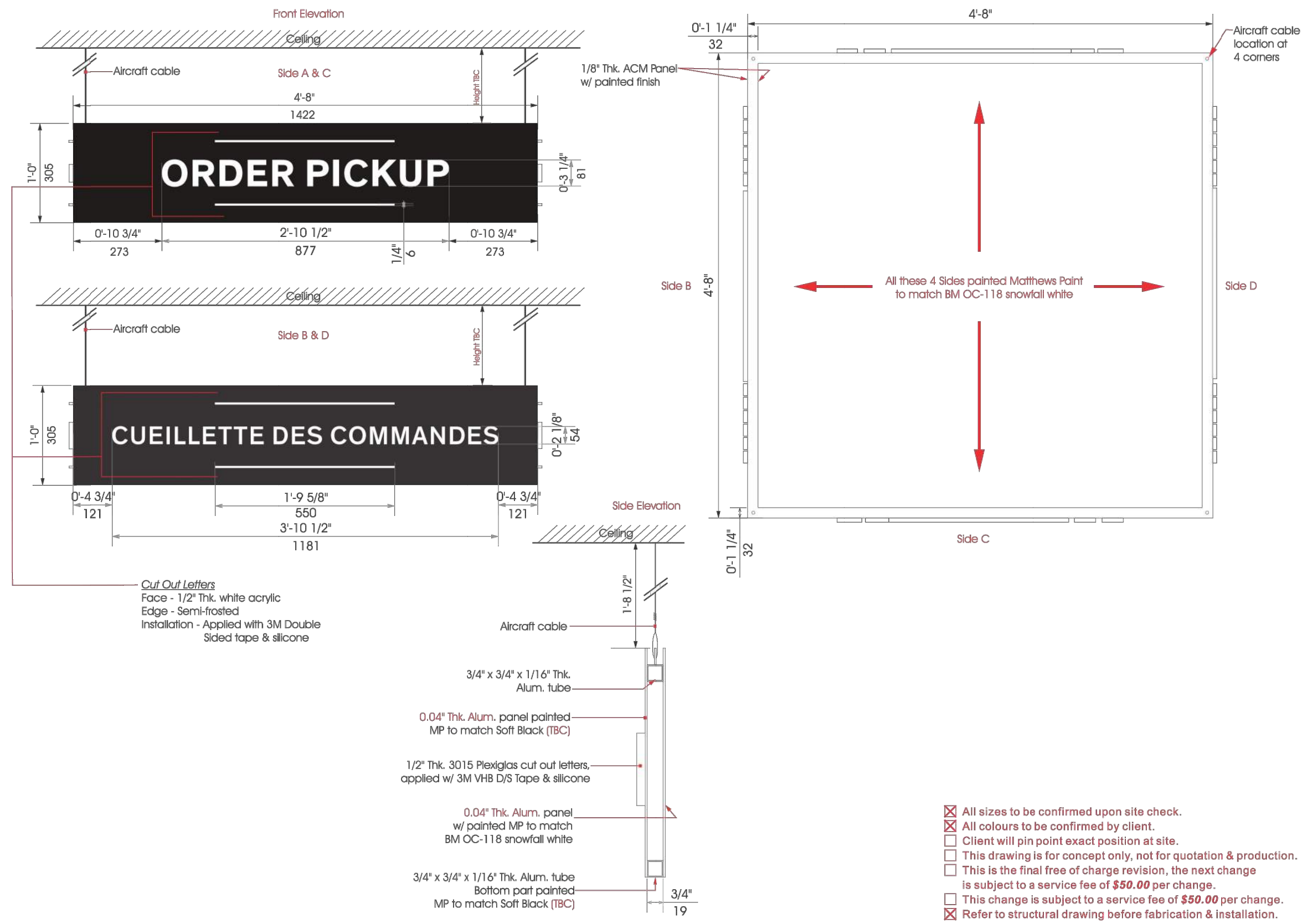
LCBO

S100 - SIGNAGE

ILLUMINATED SIGN - ORDER PICK UP

REVISION DATE	REV.	2 of 2	ISSUE DATE	STORE TYPE	STORE #
-	-	S103A		-	-

Item 1 - Suspended Sign w/ Cut Out Letters - (1 Set) - OPU#14



FORWARD SIGNS INC.
 60 Emblem Court, Scarborough
 Ontario M1S 1B1
 Tel: 416.291.4477
 Fax: 416.291.4678
 E-mail: info@forwardsign.com

CLIENT	LCBO
LOCATION	2021 UPDATED RFP
PROJECT	Rectangle Suspended Sign
DRAWN BY	Anthony
FILE NAME	SUSPEND SIGN OPU #14 G-C-F
DATE OF DRAWING	Apr., 1, 2021
SCALE	1" = 1'
SALESPERSON	Holly
REMARKS	Page 1 of 2

CLIENT APPROVED / DATE
ART DEPT. APPROVED / DATE



- All sizes to be confirmed upon site check.
- All colours to be confirmed by client.
- Client will pin point exact position at site.
- This drawing is for concept only, not for quotation & production.
- This is the final free of charge revision, the next change is subject to a service fee of \$50.00 per change.
- This change is subject to a service fee of \$50.00 per change.
- Refer to structural drawing before fabrication & installation.

This drawing is the property of Forward Signs Inc. No partial or complete reproduction in any form of this drawing is allowed without the written consent and permission from Forward Signs Inc.

F5002 -A3 Last updated Jul 12, 2018

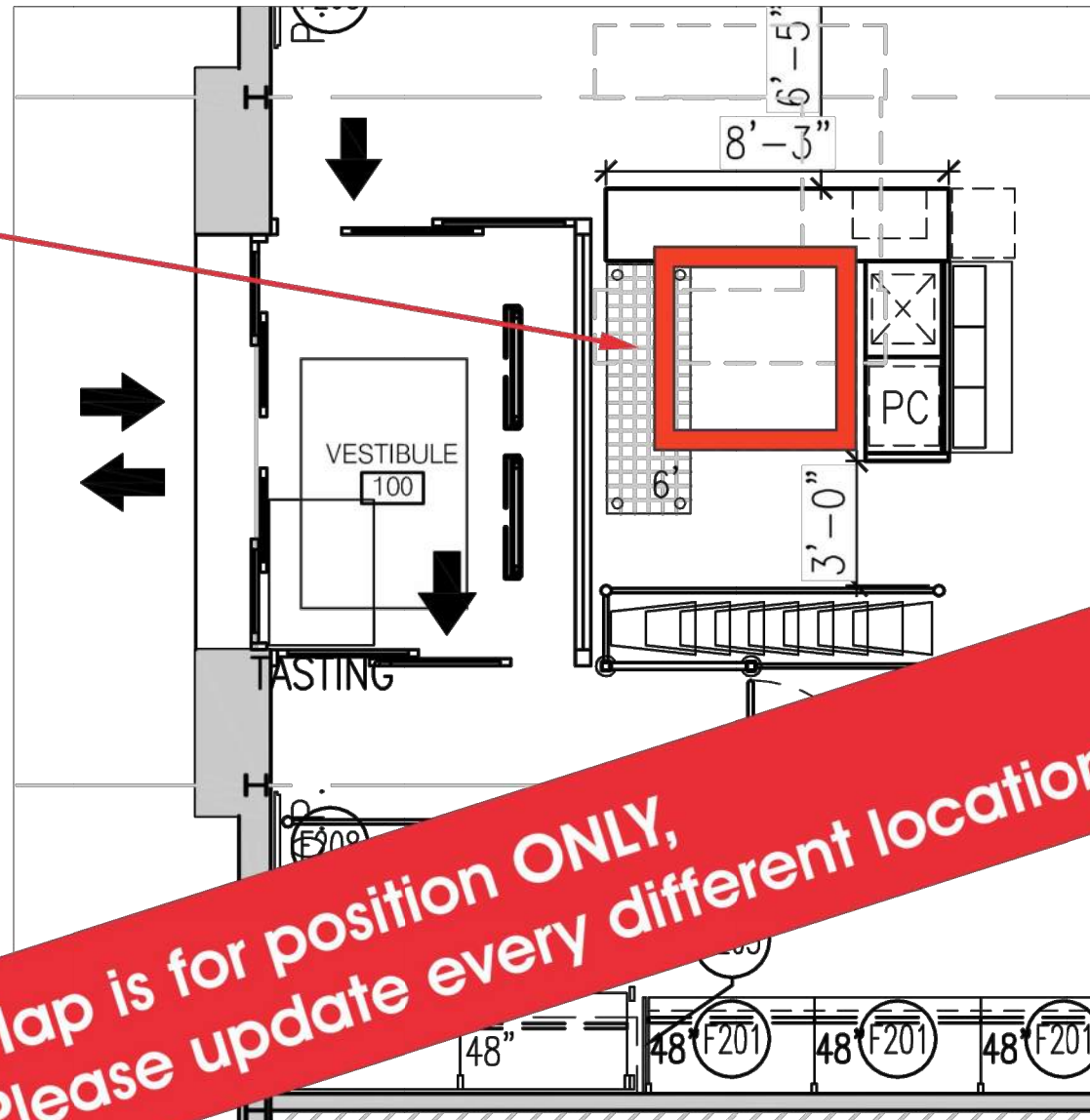
LCBO	S100 - SIGNAGE	REVISION DATE	REV.	1 of 2	ISSUE DATE	STORE TYPE	STORE #
	NON-ILLUMINATED SIGN - ORDER PICK UP	-	-	S103B	2021 APR	-	-

Item 1 - Suspended Sign w/ Cut Out Letters - (1 Set) - OPU#14

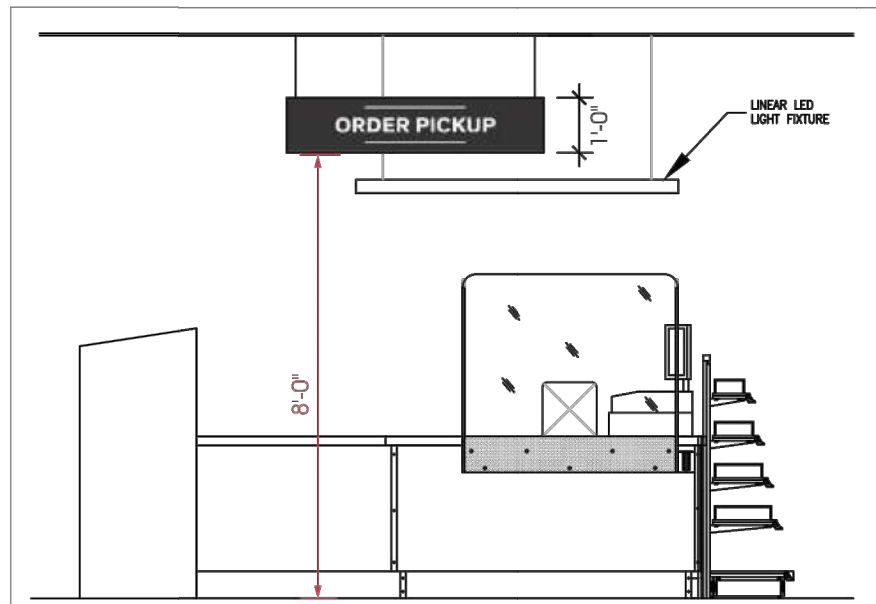
60 Emblem Court, Scarborough
 Ontario M1S 1B1
 Tel: 416.291.4477
 Fax: 416.291.4678
 E-mail: info@forwardsign.com

CLIENT	LCBO
LOCATION	2021 UPDATED RFP
PROJECT	Rectangle Suspended Sign
DRAWN BY	Anthony
FILE NAME	SUSPEND SIGN OPU #14 G-C-F
DATE OF DRAWING	Apr., 1, 2021
SCALE	1"=1'
SALESPERSON	Holly
REMARKS	

English Side Always facing the store front door



**Map is for position ONLY,
 Please update every different location**



Visual effect only, not to scale

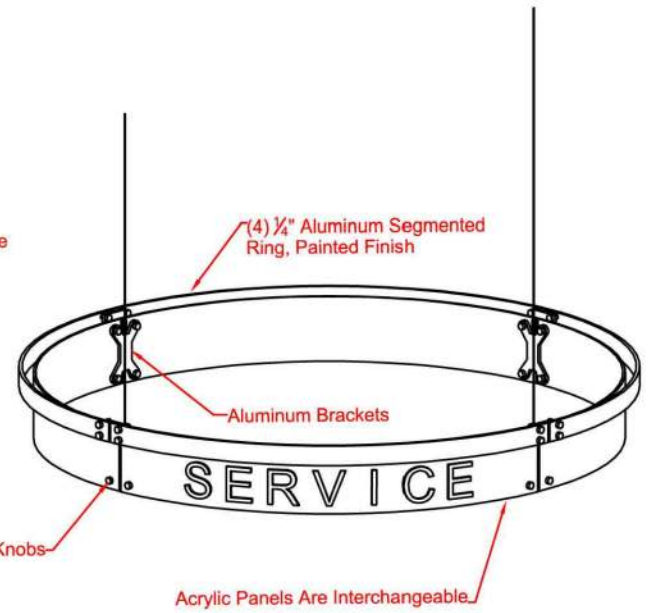
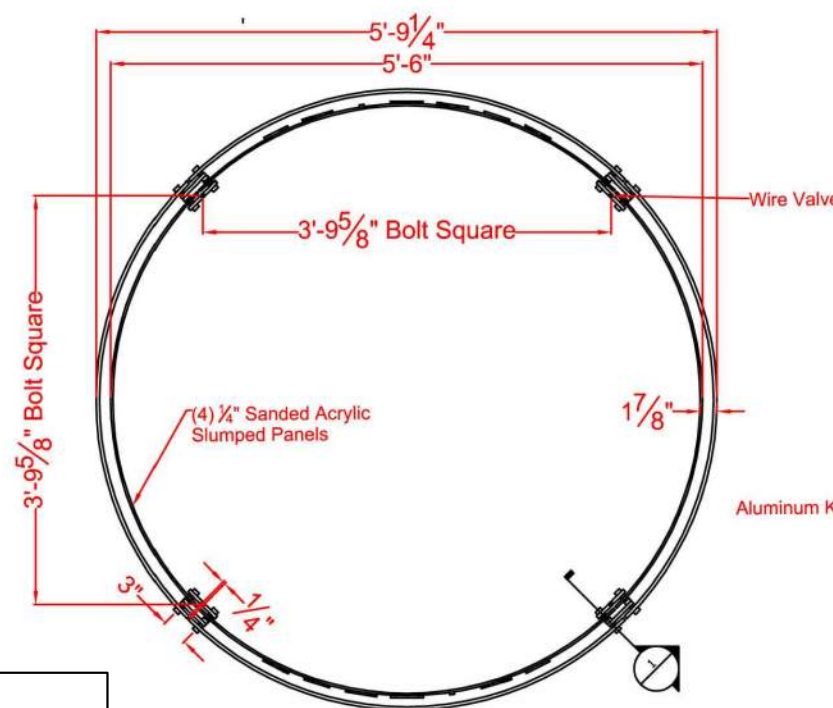
- All sizes to be confirmed upon site check.
- All colours to be confirmed by client.
- Client will pin point exact position at site.
- This drawing is for concept only, not for quotation & production.
- This is the final free of charge revision, the next change is subject to a service fee of \$50.00 per change.
- This change is subject to a service fee of \$50.00 per change.
- Refer to structural drawing before fabrication & installation.

CLIENT APPROVED / DATE

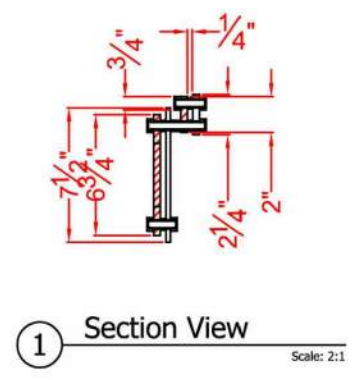
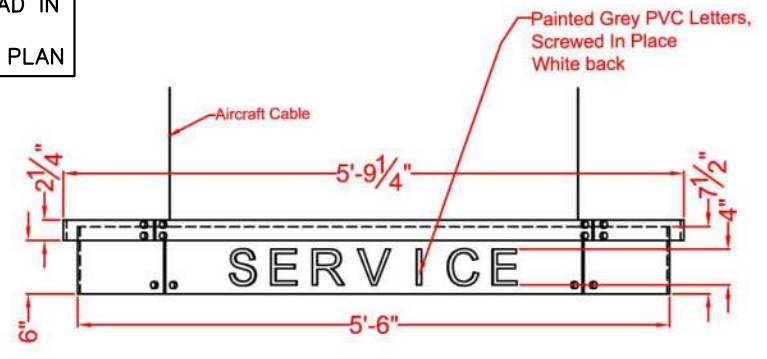
ART DEPT. APPROVED / DATE



LCBO	S100 - SIGNAGE	REVISION DATE	REV.	2 of 2	ISSUE DATE	STORE TYPE	STORE #
	NON-ILLUMINATED SIGN - ORDER PICK UP	-	-	S103B	-	-	-

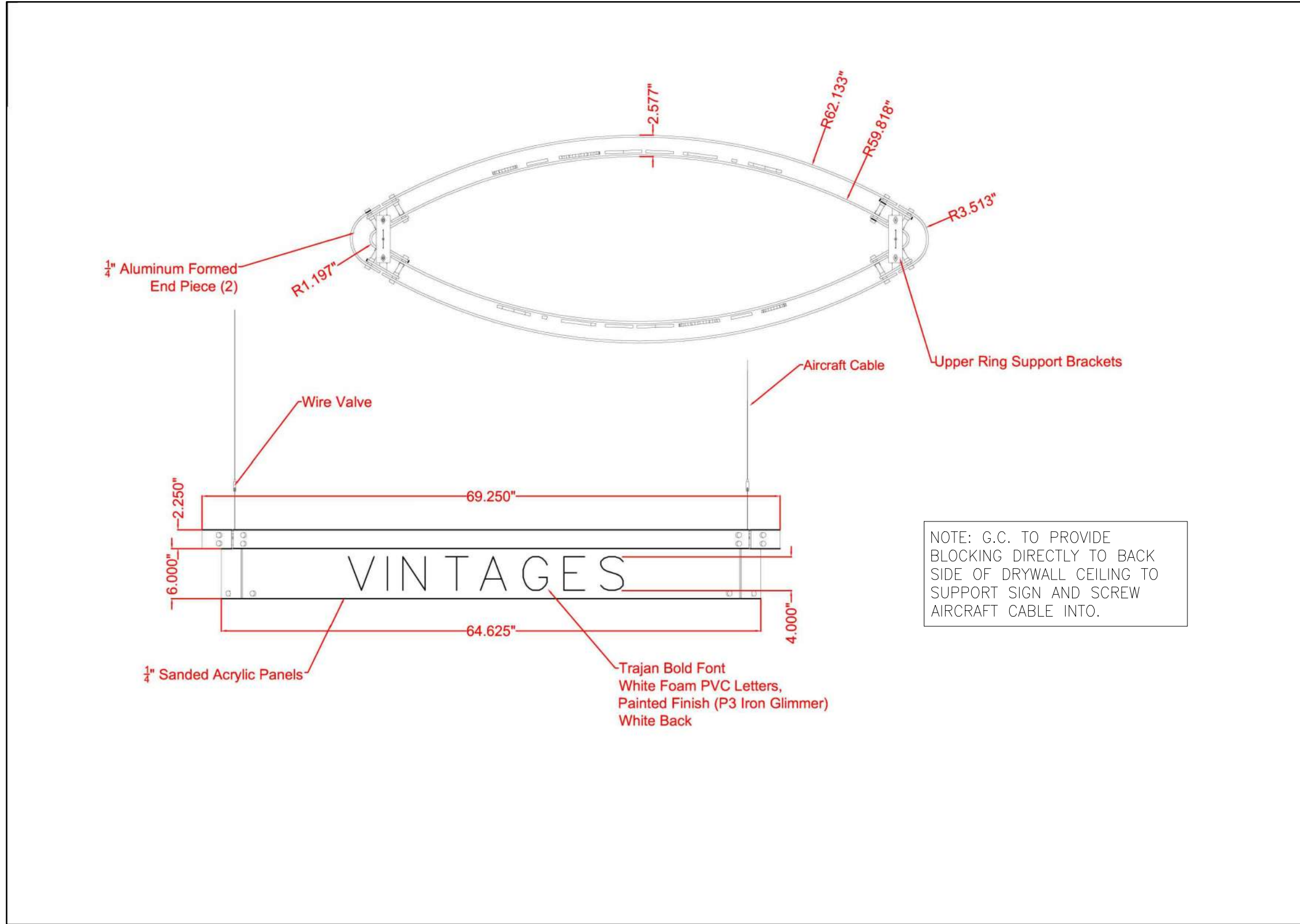


NOTE:
LOCATION OF 'SERVICE'
SIGNAGE TO BE READ IN
CONJUNCTION W/
REFLECTED CEILING PLAN



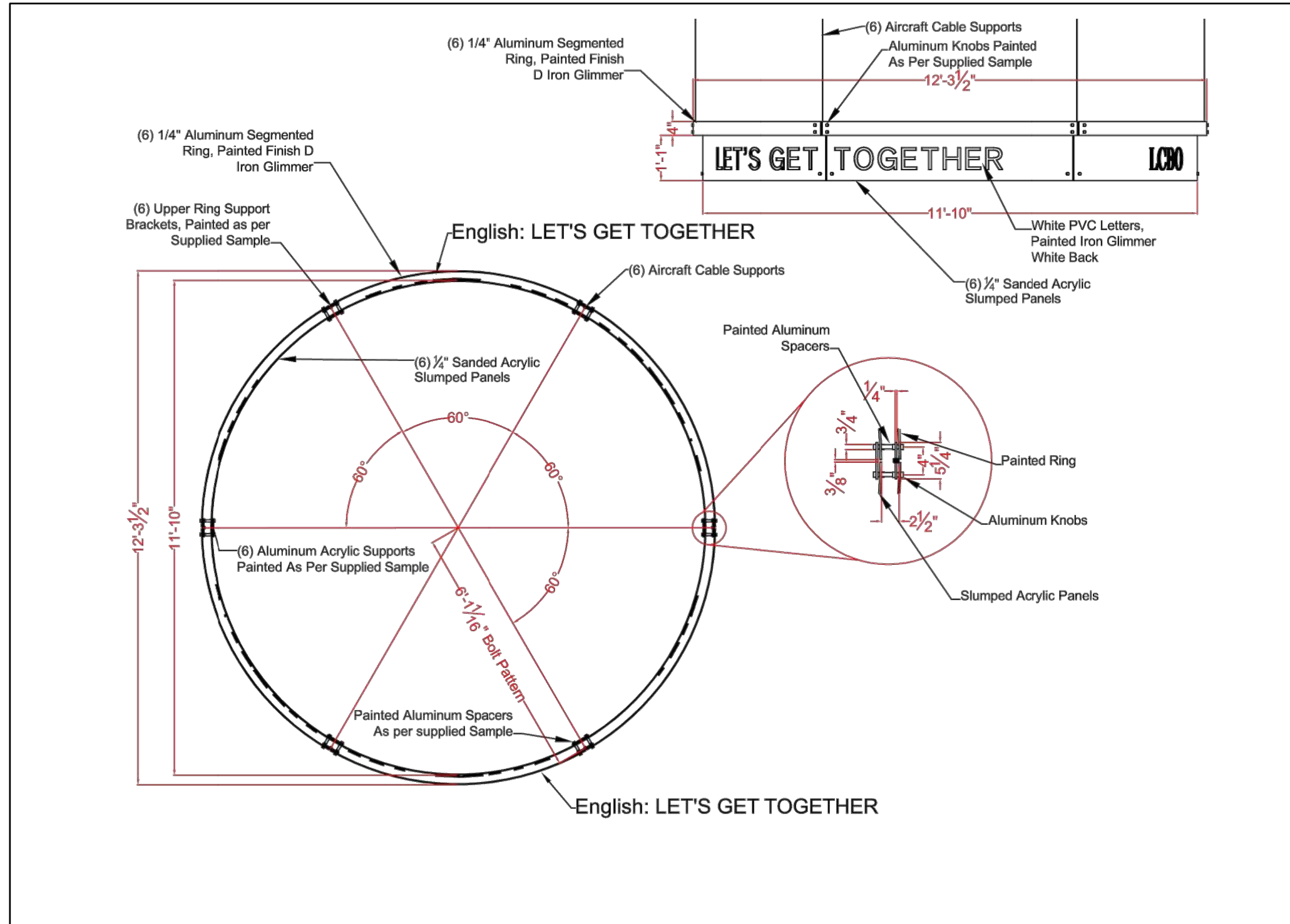
Painted Aluminum Ring & Metal work, Painted Letter and Sanded Acrylic

LCBO	S100 SIGNAGE/GRAPHICS	REVISION DATE	REV.	1 of 1	ISSUE DATE	STORE TYPE	STORE #
	SUSPENDED PLEXI-GLASS 'SERVICE' SIGN	2016 JAN08	13	S103	2021 APR		

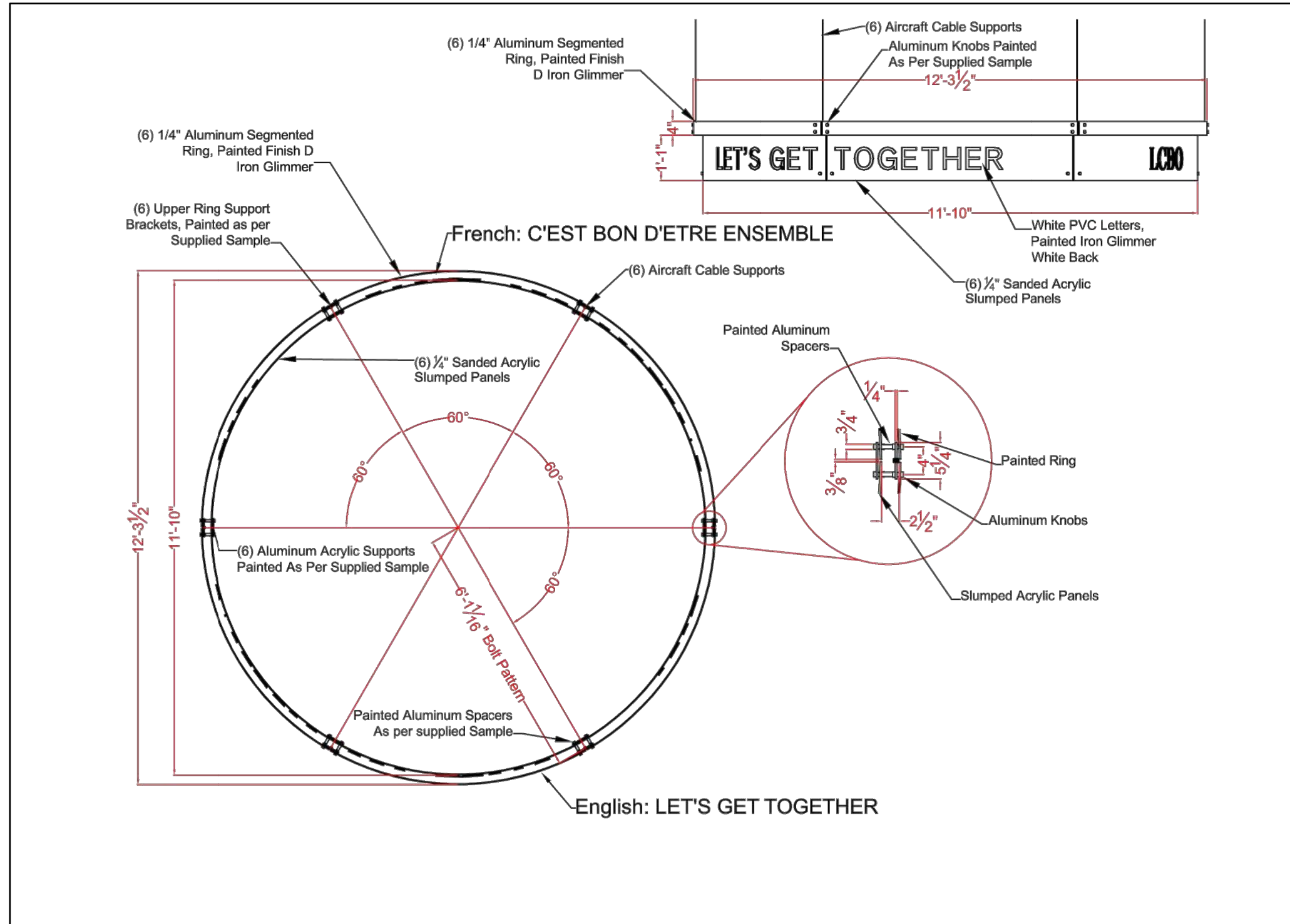


NOTE: G.C. TO PROVIDE BLOCKING DIRECTLY TO BACK SIDE OF DRYWALL CEILING TO SUPPORT SIGN AND SCREW AIRCRAFT CABLE INTO.

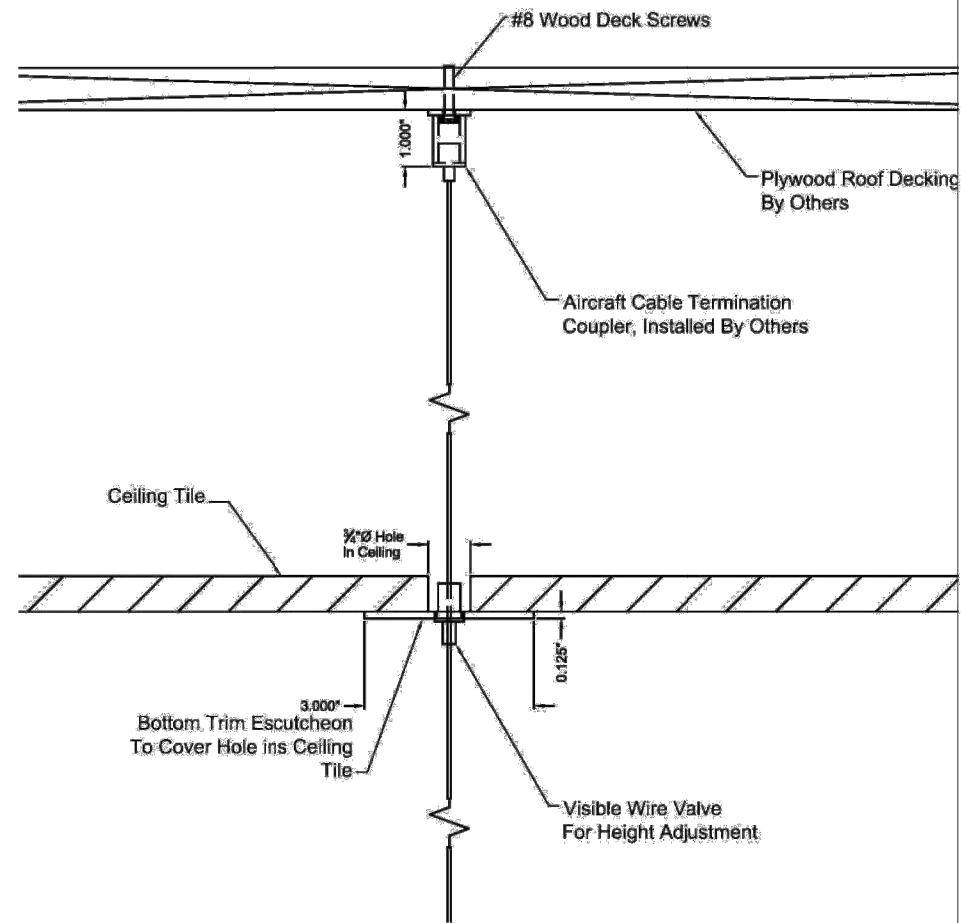
LCBO	S100 SIGNAGE/GRAPHICS	REVISION DATE	REV.	1 of 1	ISSUE DATE	STORE TYPE	STORE #
	SUSPENDED PLEXI-GLASS 'VINTAGES' SIGN	2014 MAR28	11	S104	2021 APR		



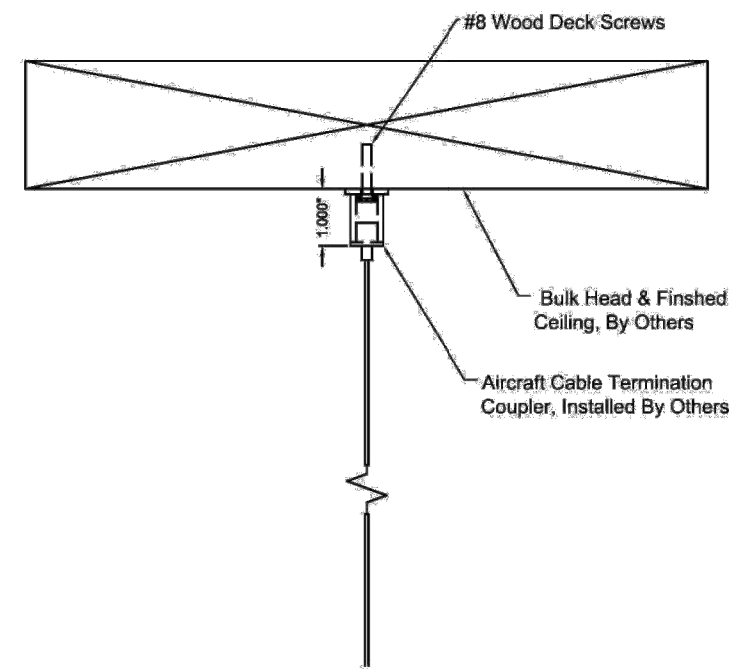
LCBO	S100 SIGNAGE/GRAPHICS	REVISION DATE	REV.	1 of 3	ISSUE DATE	STORE TYPE	STORE #
	SUSPENDED PLEXI-GLASS 'LET'S GET TOGETHER' SIGN	2016 OCT13	14	S105	2021 APR		



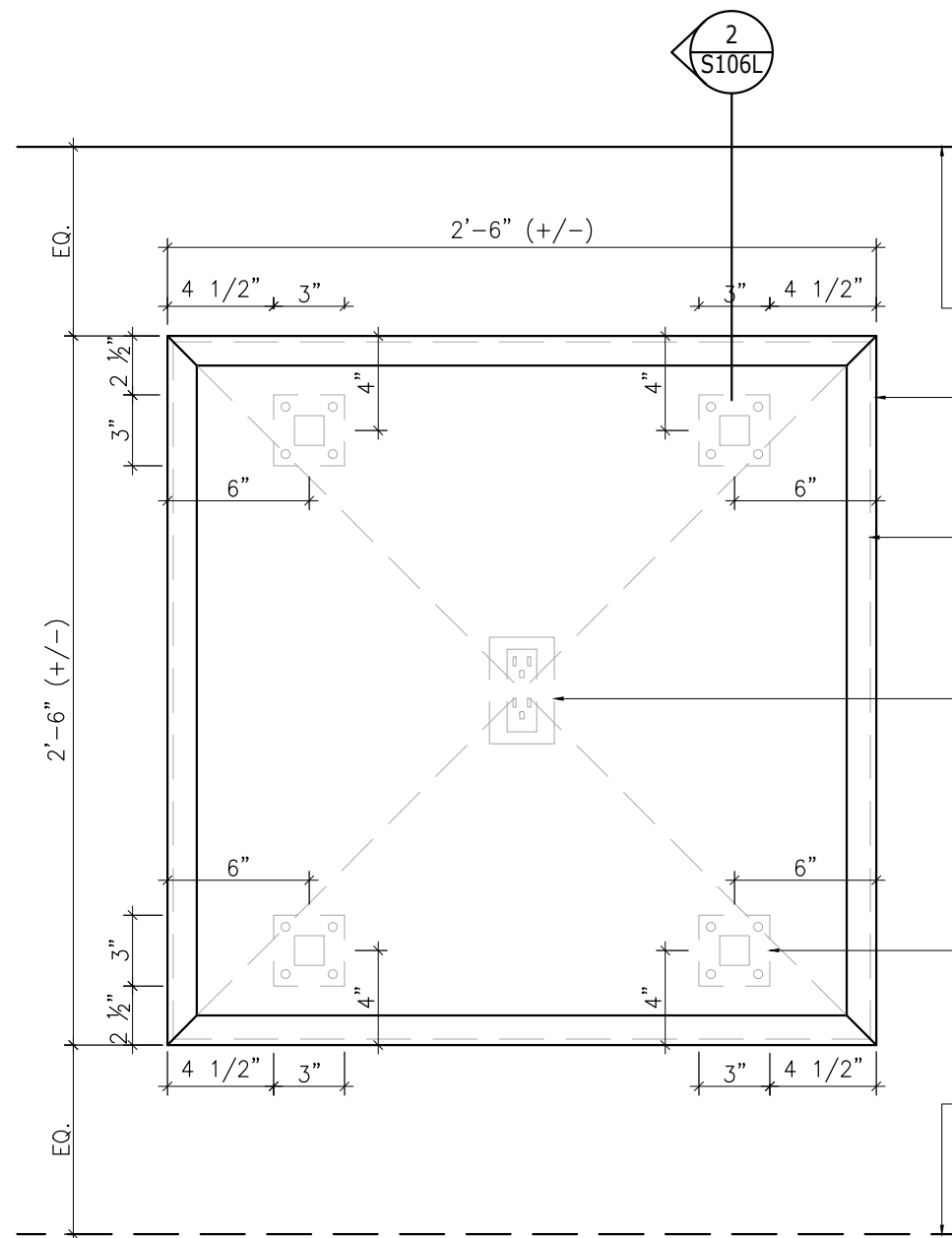
LCBO	S100 SIGNAGE/GRAPHICS	REVISION DATE	REV.	2 of 3	ISSUE DATE	STORE TYPE	STORE #
	SUSPENDED PLEXI-GLASS 'LET'S GET TOGETHER' SIGN	2016 OCT13	14	S105	2021 APR		



1 'Let's Get Together' Sign
Mounting Detail Quantity: 6 Per



1 Service Sign
Mounting Detail Quantity: 6 Per



1
S106L ELEVATION
1 1/2" = 1'-0"

NOTE:
POWER CORD & TRANSFORMER
TO BE WHITE

LINE DENOTES TOP OF BULKHEAD/
UNDERSIDE OF CEILING

L.E.D. ILLUMINATED SIGN PANEL W/
FLIPFRAME IN SATIN NICKEL FINISH

DOTTED LINES OF 28" x 28" GRAPHIC
INSERT (SUPPLIED BY LCBO). CONFIRM
GRAPHIC SIZE WITH LCBO PRIOR TO
SHOP DRAWING SUBMISSION.

DUPLEX OUTLET CENTRED IN BULKHEAD
BEHIND SIGN PANEL BY GC. GC TO
ENSURE POWER CABLES AND DRIVER
ARE NEATLY CONCEALED BEHIND PANEL
AND SECURED AS REQ'D.

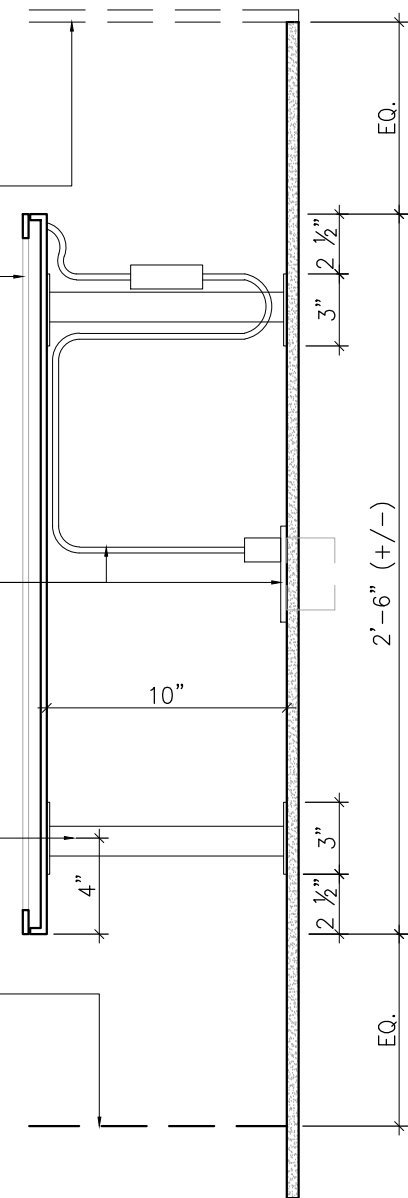
1 1/4" x 1 1/4" SUPPORT RODS WELDED
TO 3" x 3" MOUNTING PLATES TO
MATCH FRAME FINISH. GC TO PROVIDE
PLYWOOD BLOCKING IN BULKHEAD
BEHIND DRYWALL AS REQUIRED.

LINE DENOTES TOP OF SIGN BAND

GENERAL NOTES:
SIGN PANELS + STAND-OFFS BY:
FORWARD SIGNS
TEL: (416) 291-4477

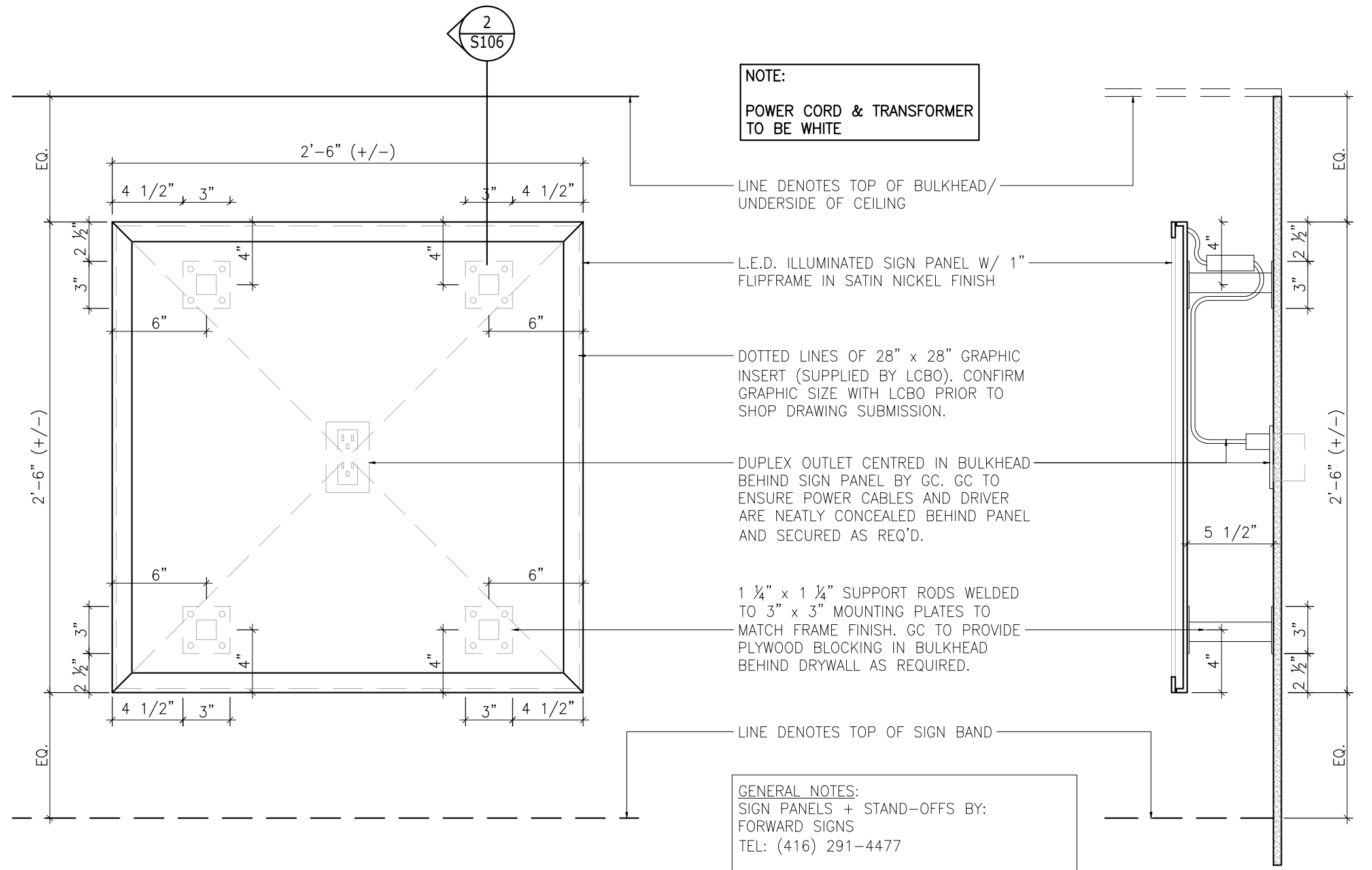
GC TO SUPPLY + INSTALL ALL UNITS AS
SHOWN. COORDINATE WITH INTERIOR
ELEVATIONS + PROVIDE BLOCKING AS REQ'D.

GC TO CONFIRM ALL DIMENSIONS WITH LCBO
PRIOR TO SHOP DRAWING SUBMITTAL.



2
S106L SECTION
1 1/2" = 1'-0"

LCBO	S100 SIGNAGE/GRAPHICS	REVISION DATE	REV.	1 OF 1	ISSUE DATE	STORE TYPE	STORE #
	SQUARE LED ILLUMINATED SIGN BOX W/ EXTENDED STANDOFF	2017 NOV	15	S106L	2021 APR		



NOTE:
POWER CORD & TRANSFORMER TO BE WHITE

LINE DENOTES TOP OF BULKHEAD/
UNDERSIDE OF CEILING

L.E.D. ILLUMINATED SIGN PANEL W/ 1"
FLIPFRAME IN SATIN NICKEL FINISH

DOTTED LINES OF 28" x 28" GRAPHIC
INSERT (SUPPLIED BY LCBO). CONFIRM
GRAPHIC SIZE WITH LCBO PRIOR TO
SHOP DRAWING SUBMISSION.

DUPLEX OUTLET CENTRED IN BULKHEAD
BEHIND SIGN PANEL BY GC. GC TO
ENSURE POWER CABLES AND DRIVER
ARE NEATLY CONCEALED BEHIND PANEL
AND SECURED AS REQ'D.

1 1/4" x 1 1/4" SUPPORT RODS WELDED
TO 3" x 3" MOUNTING PLATES TO
MATCH FRAME FINISH. GC TO PROVIDE
PLYWOOD BLOCKING IN BULKHEAD
BEHIND DRYWALL AS REQUIRED.

LINE DENOTES TOP OF SIGN BAND

GENERAL NOTES:
SIGN PANELS + STAND-OFFS BY:
FORWARD SIGNS
TEL: (416) 291-4477

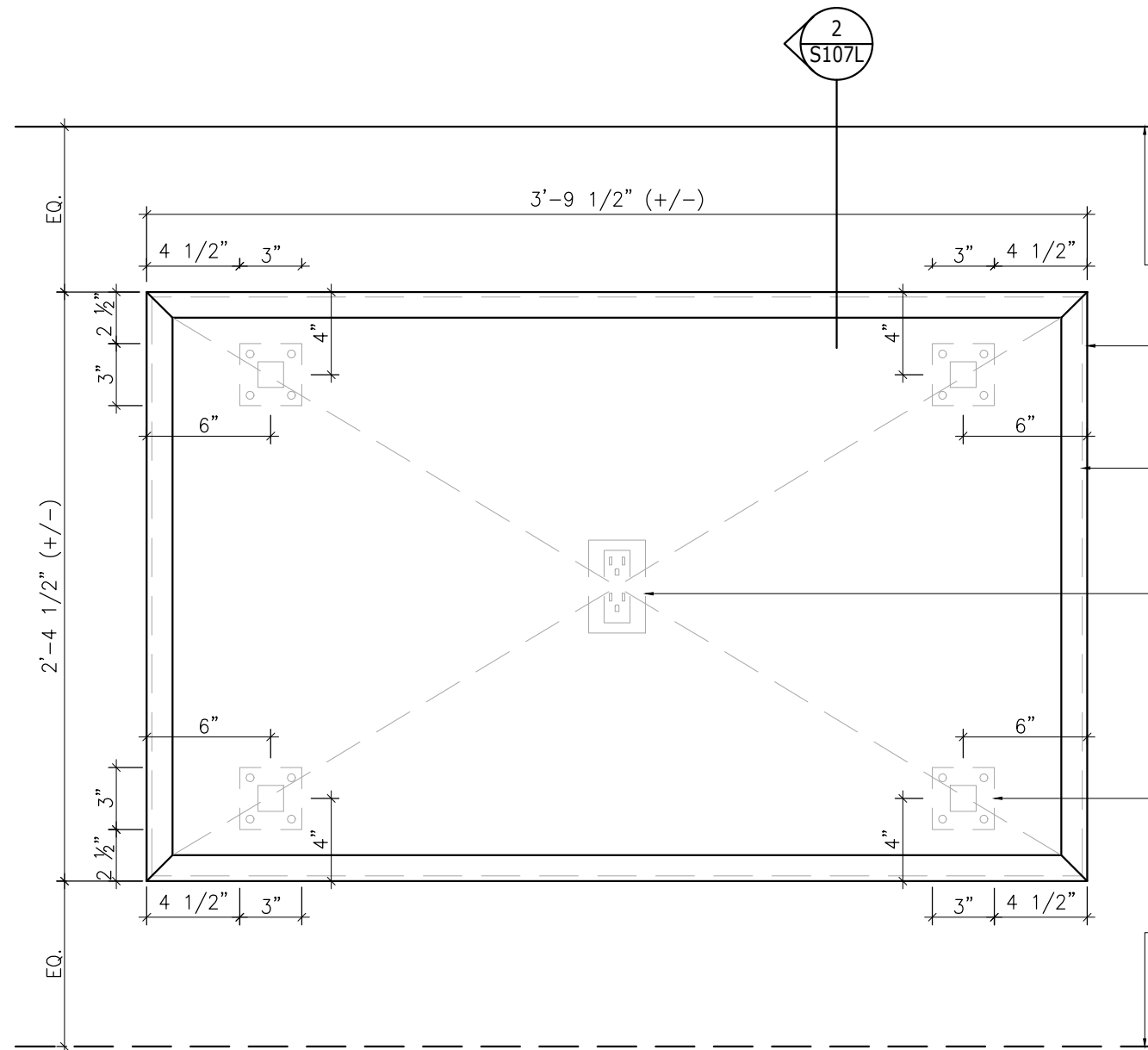
GC TO SUPPLY + INSTALL ALL UNITS AS
SHOWN. COORDINATE WITH INTERIOR
ELEVATIONS + PROVIDE BLOCKING AS REQ'D.

GC TO CONFIRM ALL DIMENSIONS WITH LCBO
PRIOR TO SHOP DRAWING SUBMITTAL.

1 ELEVATION
S106 1 1/2" = 1'-0"

2 SECTION
S106 1 1/2" = 1'-0"

LCBO	S100 SIGNAGE/GRAPHICS	REVISION DATE	REV.	1 OF 1	ISSUE DATE	STORE TYPE	STORE #
	SQUARE LED ILLUMINATED SIGN BOX	2017 NOV	15	S106	2021 APR		



1
S107L **ELEVATION**
1 1/2" = 1'-0"

NOTE:
POWER CORD & TRANSFORMER
TO BE WHITE

LINE DENOTES TOP OF BULKHEAD/
UNDERSIDE OF CEILING

L.E.D. ILLUMINATED SIGN PANEL W/
FLIPFRAME IN SATIN NICKEL FINISH

DOTTED LINES OF 28" x 45" GRAPHIC
INSERT (SUPPLIED BY LCBO). CONFIRM
GRAPHIC SIZE WITH LCBO PRIOR TO
SHOP DRAWING SUBMISSION.

DUPLEX OUTLET CENTRED IN BULKHEAD
BEHIND SIGN PANEL BY GC. GC TO
ENSURE POWER CABLES AND DRIVER
ARE NEATLY CONCEALED BEHIND PANEL
AND SECURED AS REQ'D.

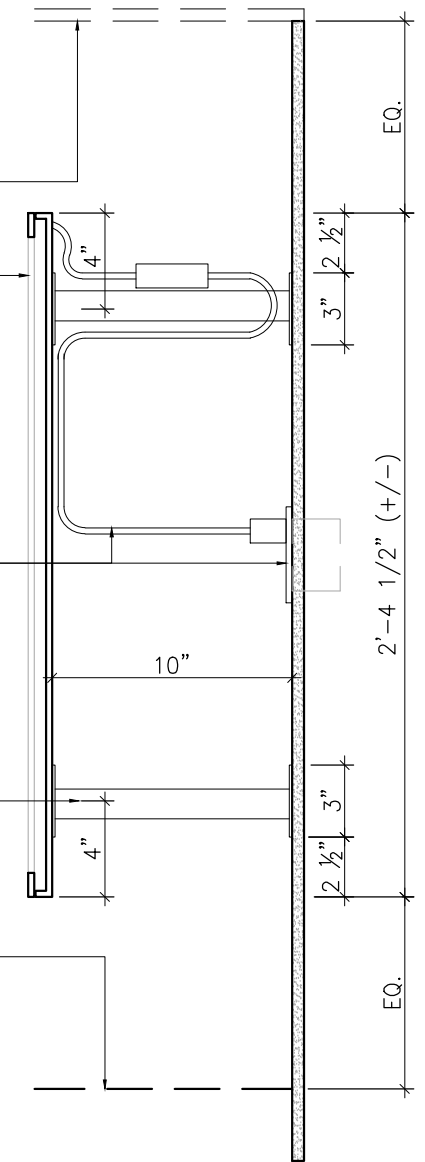
1 1/4" x 1 1/4" SUPPORT RODS WELDED
TO 3" x 3" MOUNTING PLATES TO
MATCH FRAME FINISH. GC TO PROVIDE
PLYWOOD BLOCKING IN BULKHEAD
BEHIND DRYWALL AS REQUIRED.

LINE DENOTES TOP OF SIGN BAND

GENERAL NOTES:
SIGN PANELS + STAND-OFFS BY:
FORWARD SIGNS
TEL: (416) 291-4477

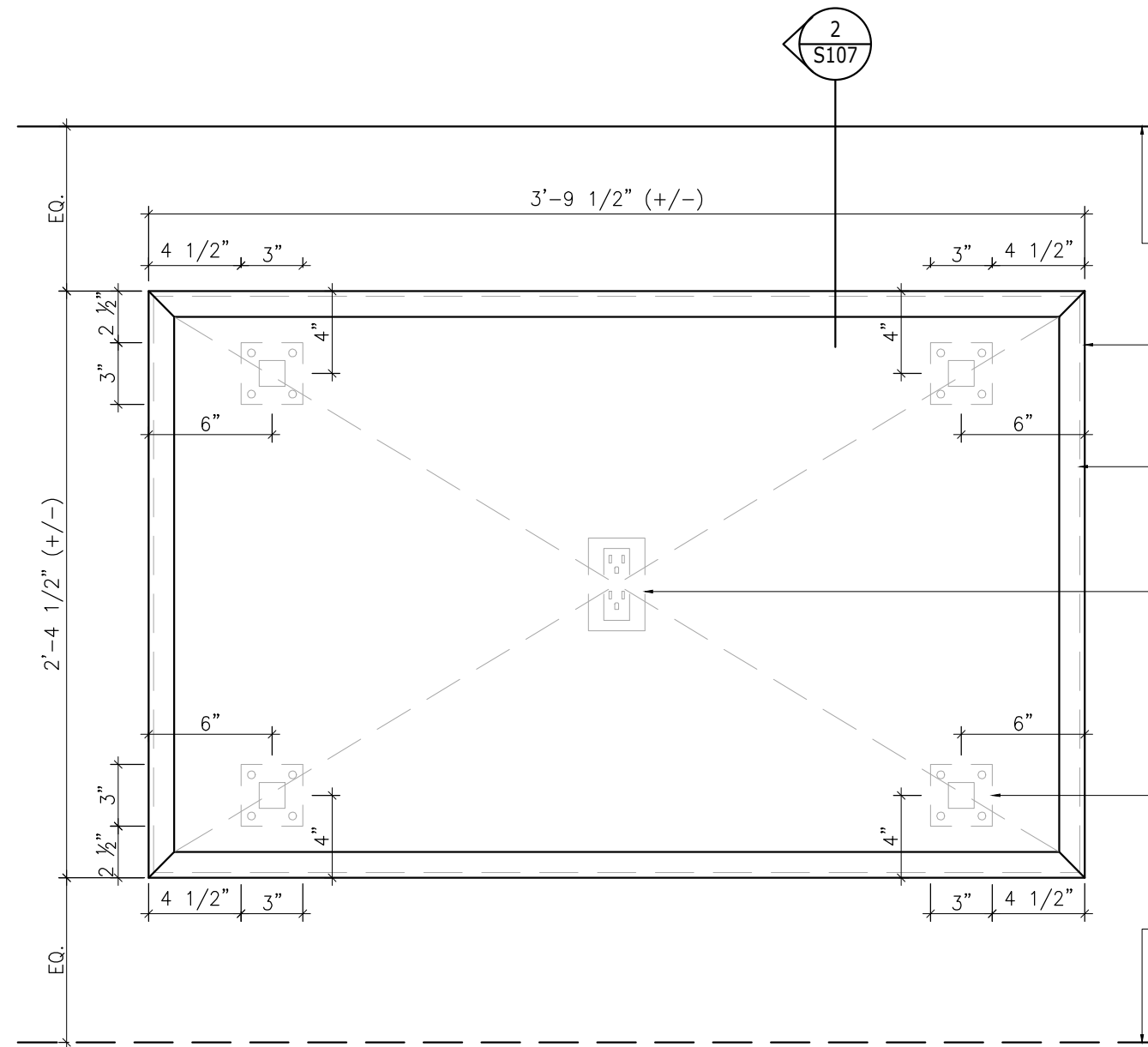
GC TO SUPPLY + INSTALL ALL UNITS AS
SHOWN. COORDINATE WITH INTERIOR
ELEVATIONS + PROVIDE BLOCKING AS REQ'D.

GC TO CONFIRM ALL DIMENSIONS WITH LCBO
PRIOR TO SHOP DRAWING SUBMITTAL.



2
S107L **SECTION**
1 1/2" = 1'-0"

LCBO	S100 SIGNAGE/GRAPHICS	REVISION DATE	REV.	1 OF 1	ISSUE DATE	STORE TYPE	STORE #
	RECTANGULAR LED ILLUMINATED SIGN BOX W/ EXTENDED STANDOFF	2017 NOV	15	S107L	2021 APR		



1
S107 ELEVATION
1 1/2" = 1'-0"

NOTE:
POWER CORD & TRANSFORMER
TO BE WHITE

LINE DENOTES TOP OF BULKHEAD/
UNDERSIDE OF CEILING

L.E.D. ILLUMINATED SIGN PANEL W/ 1"
FLIPFRAME IN SATIN NICKEL FINISH

DOTTED LINES OF 28" x 45" GRAPHIC
INSERT (SUPPLIED BY LCBO). CONFIRM
GRAPHIC SIZE WITH LCBO PRIOR TO
SHOP DRAWING SUBMISSION.

DUPLEX OUTLET CENTRED IN BULKHEAD
BEHIND SIGN PANEL BY GC. GC TO
ENSURE POWER CABLES AND DRIVER
ARE NEATLY CONCEALED BEHIND PANEL
AND SECURED AS REQ'D.

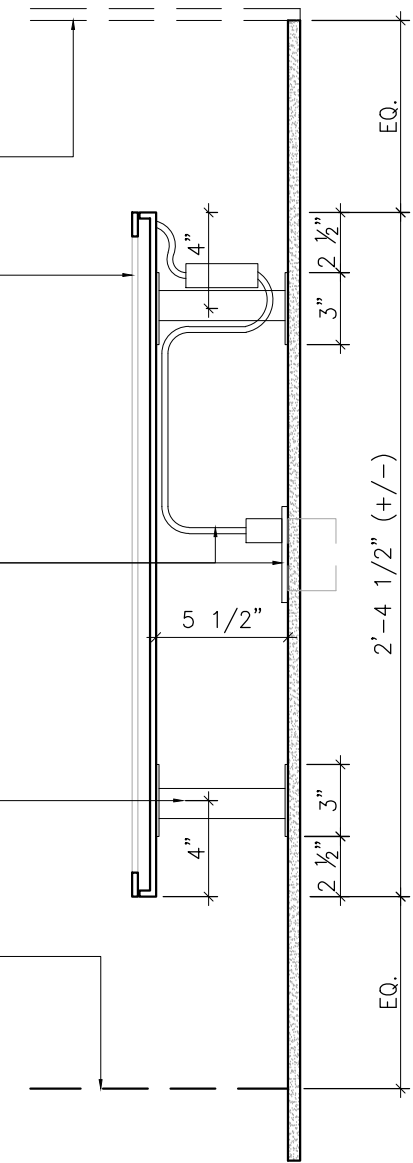
1 1/4" x 1 1/4" SUPPORT RODS WELDED
TO 3" x 3" MOUNTING PLATES TO
MATCH FRAME FINISH. GC TO PROVIDE
PLYWOOD BLOCKING IN BULKHEAD
BEHIND DRYWALL AS REQUIRED.

LINE DENOTES TOP OF SIGN BAND

GENERAL NOTES:
SIGN PANELS + STAND-OFFS BY:
FORWARD SIGNS
TEL: (416) 291-4477

GC TO SUPPLY + INSTALL ALL UNITS AS
SHOWN. COORDINATE WITH INTERIOR
ELEVATIONS + PROVIDE BLOCKING AS REQ'D.

GC TO CONFIRM ALL DIMENSIONS WITH LCBO
PRIOR TO SHOP DRAWING SUBMITTAL.

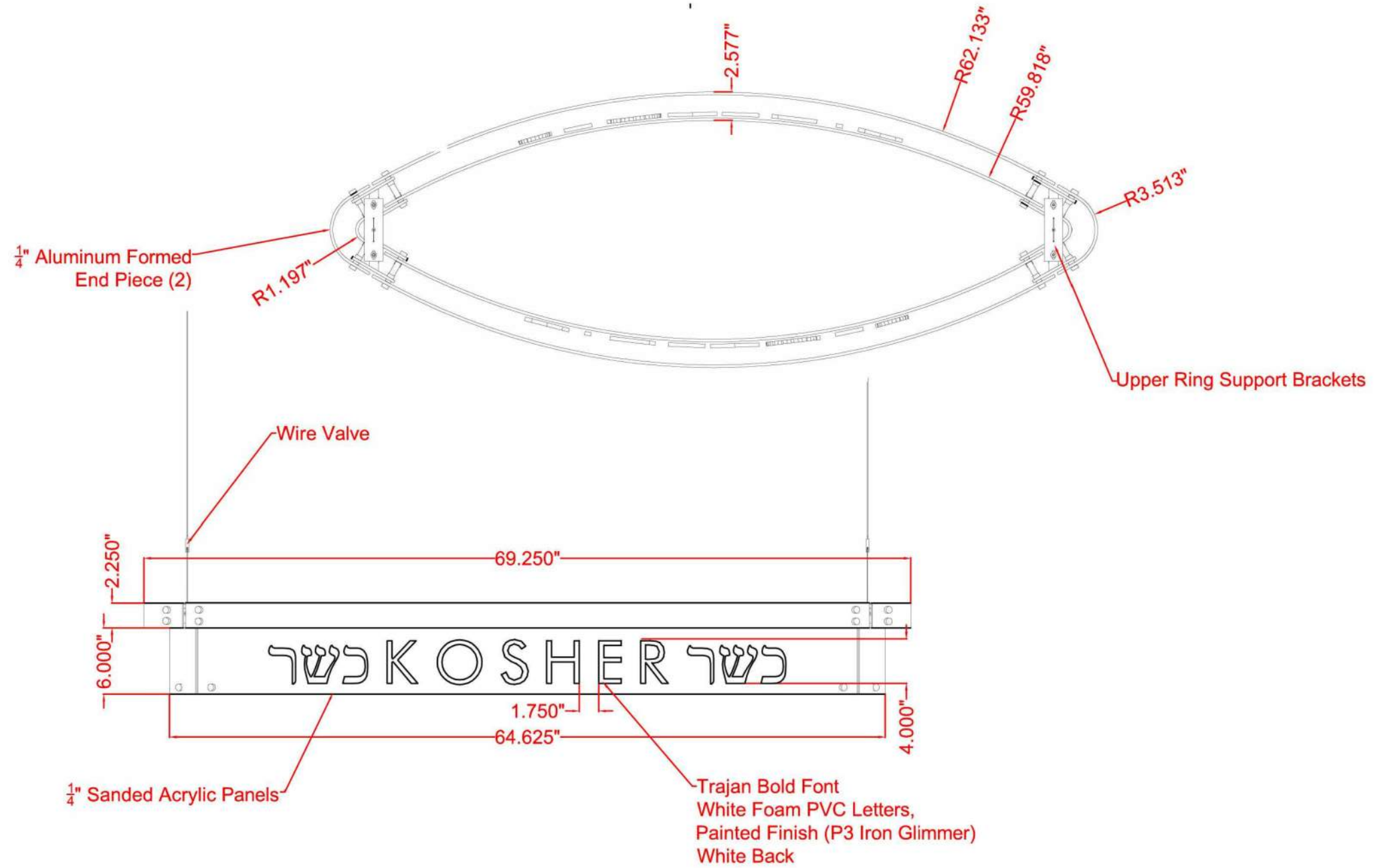


2
S107 SECTION
1 1/2" = 1'-0"

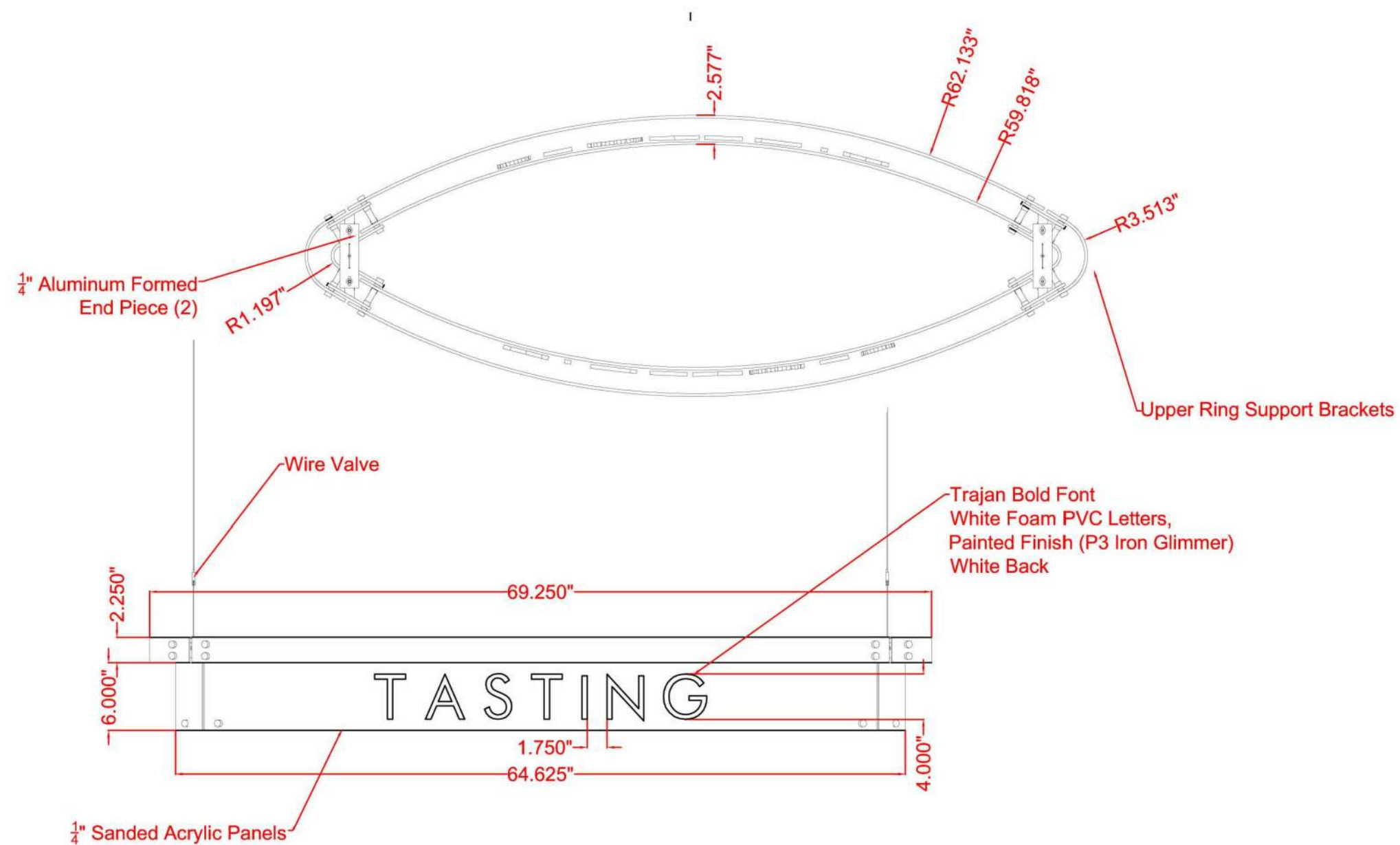
LCBO	S100 SIGNAGE/GRAPHICS	REVISION DATE	REV.	1 OF 1	ISSUE DATE	STORE TYPE	STORE #
	RECTANGULAR LED ILLUMINATED SIGN BOX	2017 NOV	15	S107	2021 APR		

RESERVED

LCBO	S100 SIGNAGE/GRAPHICS	REVISION DATE	REV.	1 OF 1	ISSUE DATE	STORE TYPE	STORE #
		2015 MAR23	12	S108	2021 APR		



LCBO	S100 SIGNAGE/GRAPHICS	REVISION DATE	REV.	1 of 1	ISSUE DATE	STORE TYPE	STORE #
	SUSPENDED PLEXI-GLASS 'KOSHER' SIGN	2016 OCT13	14	S109	2021 APR		



GENERAL NOTES:
 G.C. TO PROVIDE BLOCKING DIRECTLY TO BACK SIDE OF DRYWALL CEILING TO SUPPORT SIGN AND SCREW AIRCRAFT CABLE INTO.

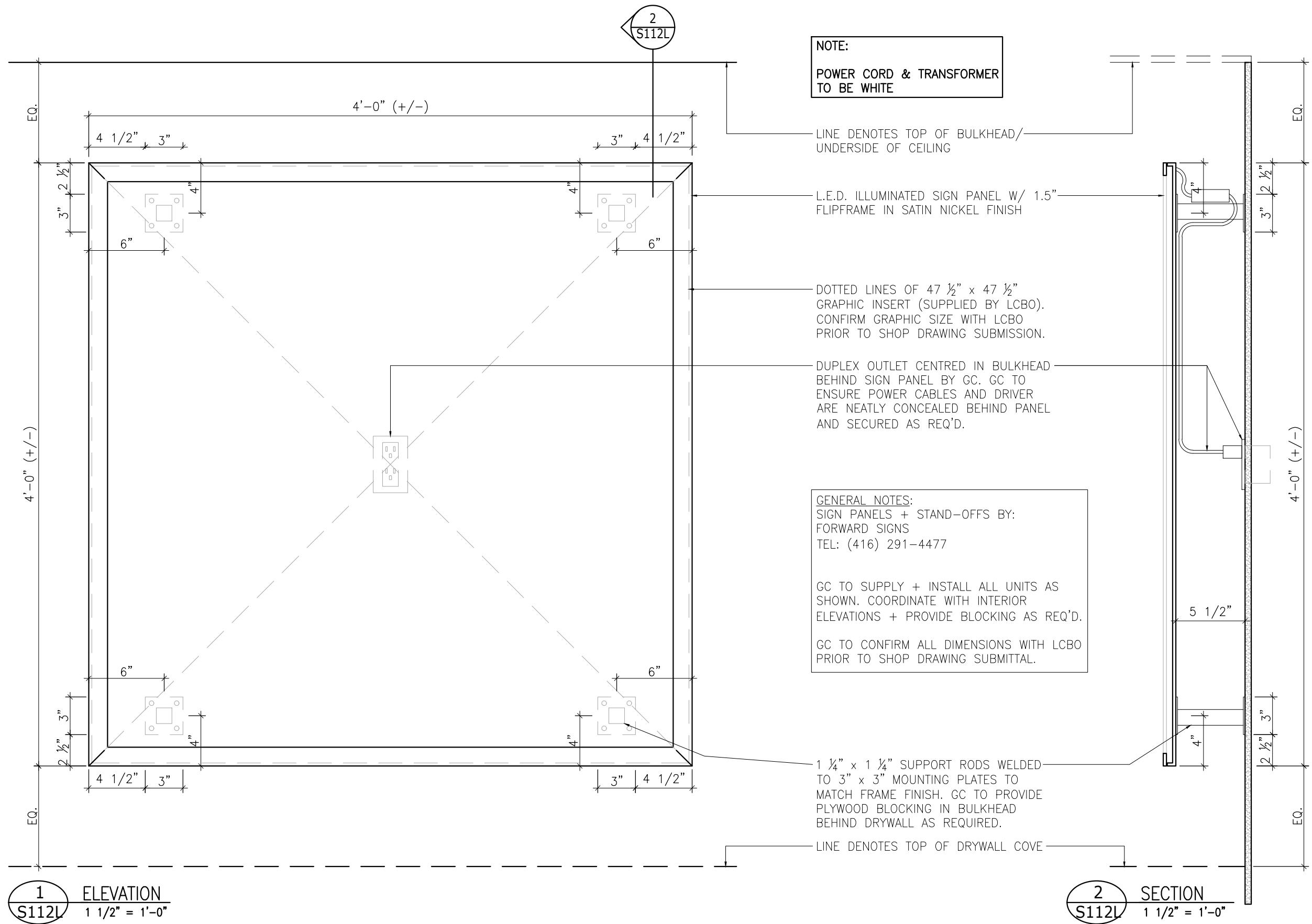
MANUFACTURER TO PROVIDE ONE SET OF ENGLISH TEXT AND ONE SET OF FRENCH EQUIVALENT. LCBO TO CONFIRM ALL TEXT PRIOR TO FABRICATION.

SUBMIT SHOP DRAWING FOR APPROVAL PRIOR TO FABRICATION.

LCBO	S100 SIGNAGE/GRAPHICS	REVISION DATE	REV.	1 of 1	ISSUE DATE	STORE TYPE	STORE #
	SUSPENDED PLEXI-GLASS 'TASTING' SIGN	2016 OCT13	14	S110	2021 APR		

RESERVED

LCBO	S100 SIGNAGE/GRAPHICS	REVISION DATE	REV.	1 of 1	ISSUE DATE	STORE TYPE	STORE #
		2015 MAR23	12	S111	2021 APR		



NOTE:
POWER CORD & TRANSFORMER TO BE WHITE

LINE DENOTES TOP OF BULKHEAD/
UNDERSIDE OF CEILING

L.E.D. ILLUMINATED SIGN PANEL W/ 1.5"
FLIPFRAME IN SATIN NICKEL FINISH

DOTTED LINES OF 47 1/2" x 47 1/2"
GRAPHIC INSERT (SUPPLIED BY LCBO).
CONFIRM GRAPHIC SIZE WITH LCBO
PRIOR TO SHOP DRAWING SUBMISSION.

DUPLEX OUTLET CENTRED IN BULKHEAD
BEHIND SIGN PANEL BY GC. GC TO
ENSURE POWER CABLES AND DRIVER
ARE NEATLY CONCEALED BEHIND PANEL
AND SECURED AS REQ'D.

GENERAL NOTES:
SIGN PANELS + STAND-OFFS BY:
FORWARD SIGNS
TEL: (416) 291-4477

GC TO SUPPLY + INSTALL ALL UNITS AS
SHOWN. COORDINATE WITH INTERIOR
ELEVATIONS + PROVIDE BLOCKING AS REQ'D.

GC TO CONFIRM ALL DIMENSIONS WITH LCBO
PRIOR TO SHOP DRAWING SUBMITTAL.

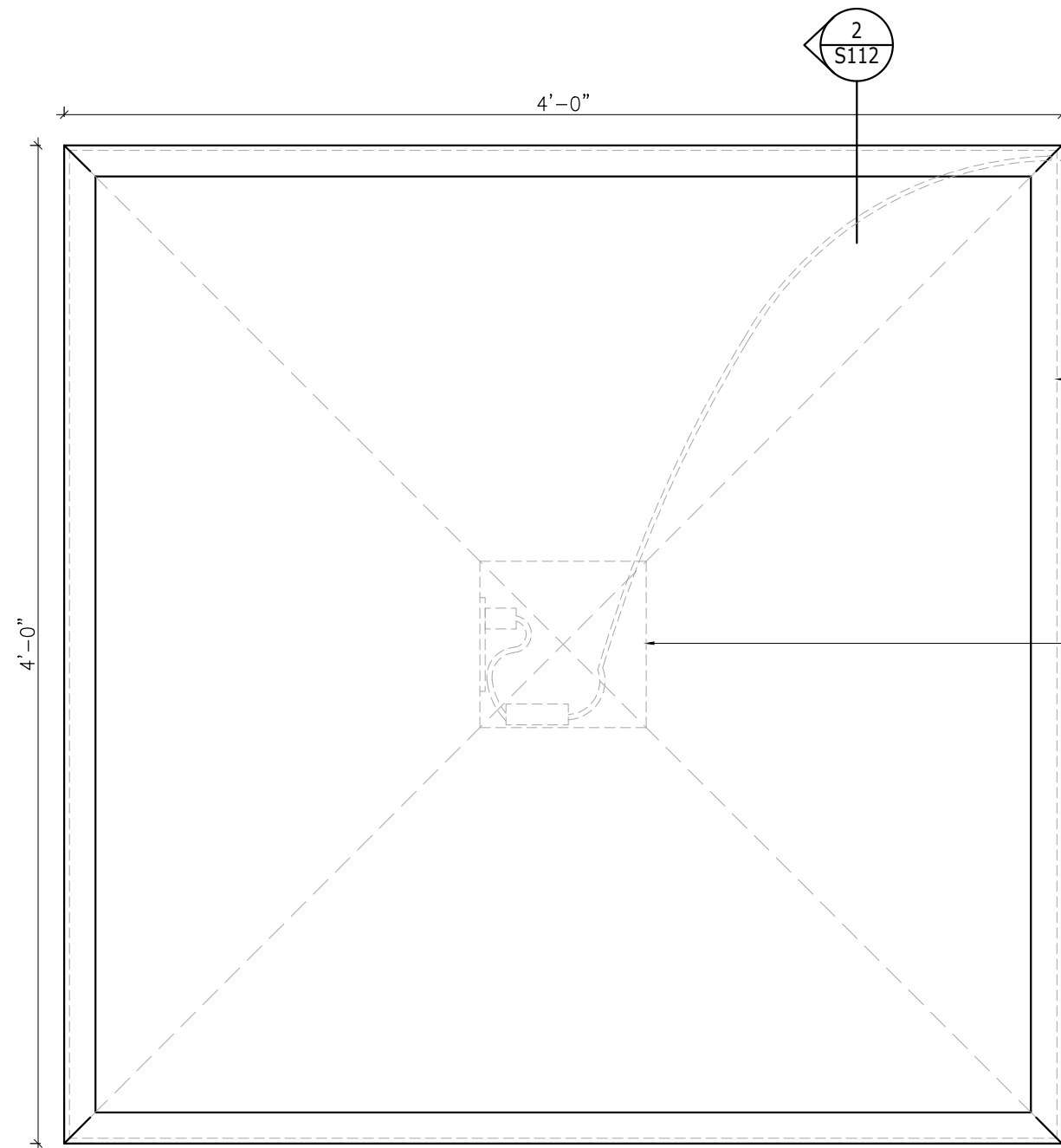
1 1/4" x 1 1/4" SUPPORT RODS WELDED
TO 3" x 3" MOUNTING PLATES TO
MATCH FRAME FINISH. GC TO PROVIDE
PLYWOOD BLOCKING IN BULKHEAD
BEHIND DRYWALL AS REQUIRED.

LINE DENOTES TOP OF DRYWALL COVE

1
S112L ELEVATION
1 1/2" = 1'-0"

2
S112L SECTION
1 1/2" = 1'-0"

LCBO	S100 SIGNAGE/GRAPHICS	REVISION DATE	REV.	1 OF 1	ISSUE DATE	STORE TYPE	STORE #
	STEM-MOUNTED 4'-0" X 4'-0" ILLUMINATED SIGN BOX	2017 NOV	15	S112L	2021 APR		



L.E.D. ILLUMINATED SIGN PANEL W/ 1 1/2" FLIPFRAME IN SATIN CLEAR ANODIZED FINISH

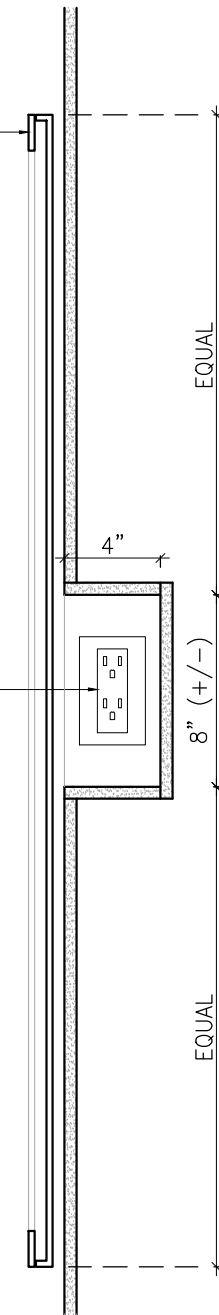
DOTTED LINES OF 47 1/2" x 47 1/2" GRAPHIC INSERT (SUPPLIED BY LCBO). CONFIRM GRAPHIC SIZE WITH LCBO PRIOR TO SHOP DRAWING SUBMISSION.

GC TO PROVIDE DUPLEX RECEPTACLE, RECESSED INTO PARTITION & CONCEALED BEHIND SIGN BOX (APPROXIMATELY 8"x8"x4" DP.), TO ACCOMMODATE PLUG + DRIVER IN ORDER TO ALLOW SIGN BOX TO BE FLUSH TO PARTITION. GC TO ENSURE POWER CABLES AND DRIVER ARE NEATLY CONCEALED BEHIND PANEL WITHIN RECESS.

GENERAL NOTES:
SIGN PANELS + STAND-OFFS BY:
FORWARD SIGNS
TEL: (416) 291-4477

GC TO SUPPLY + INSTALL ALL UNITS AS SHOWN. COORDINATE WITH INTERIOR ELEVATIONS + PROVIDE BLOCKING AS REQ'D.

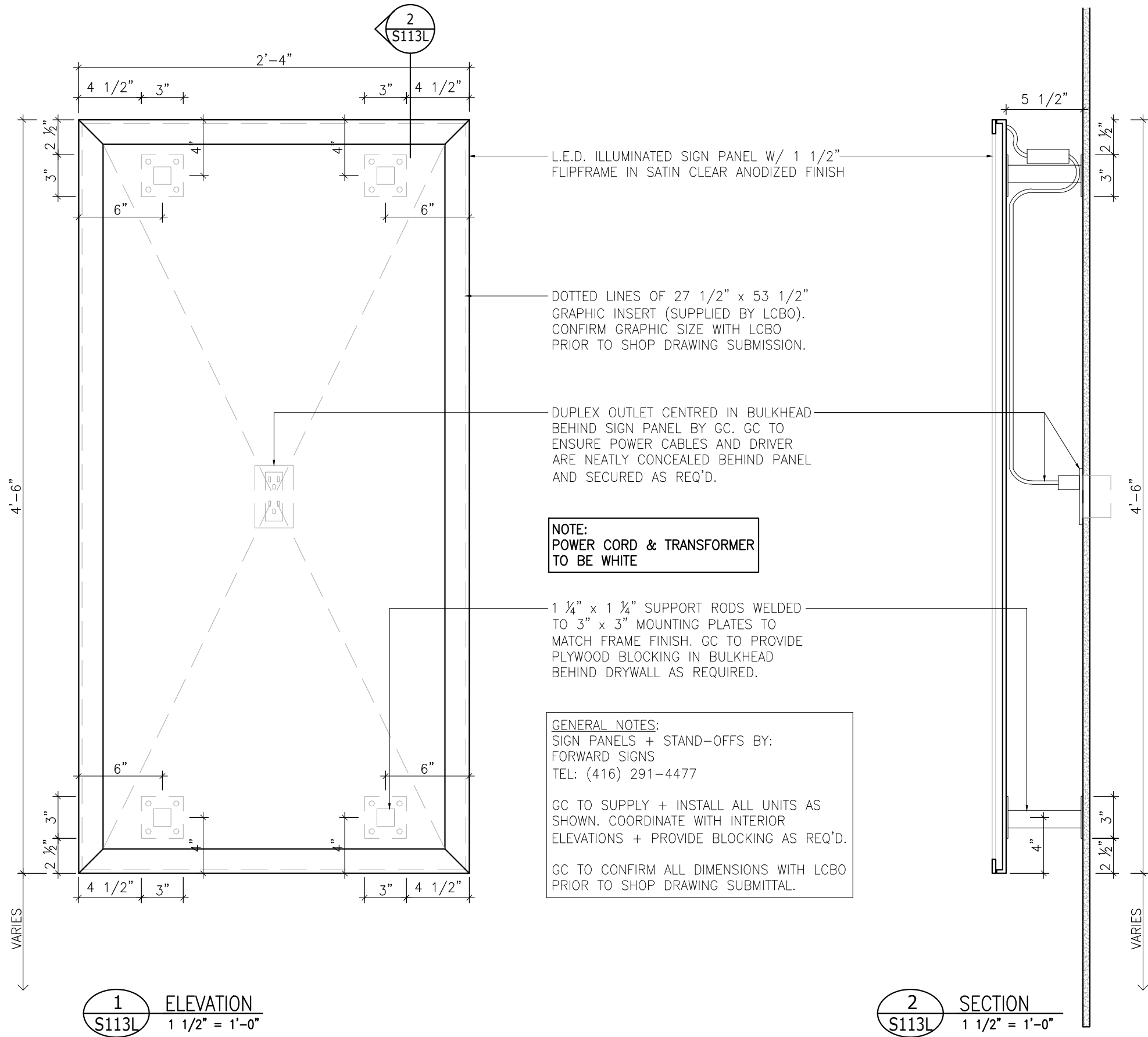
GC TO CONFIRM ALL DIMENSIONS WITH LCBO PRIOR TO SHOP DRAWING SUBMITTAL.



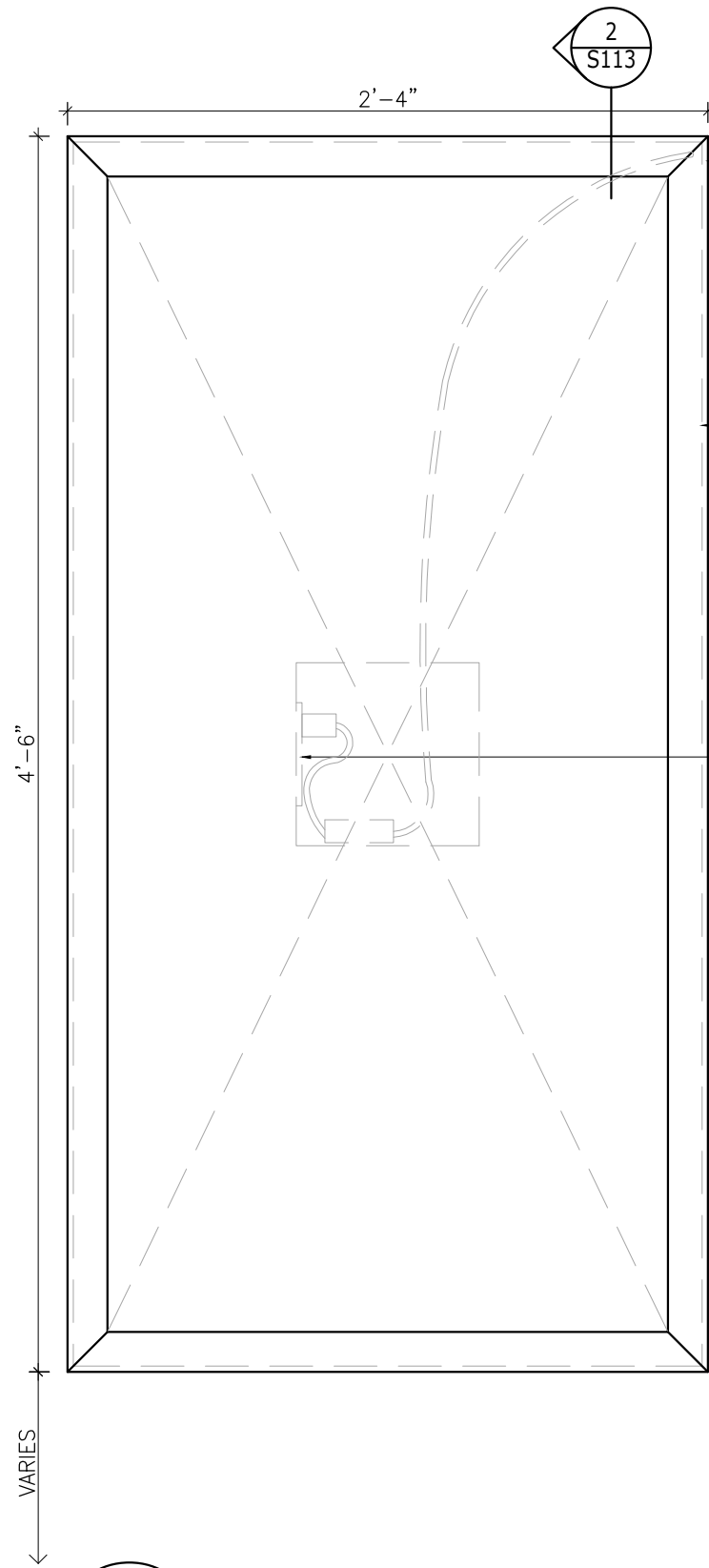
1 ELEVATION
S112 1 1/2" = 1'-0"

2 SECTION
S112 1 1/2" = 1'-0"

LCBO	S100 SIGNAGE/GRAPHICS	REVISION DATE	REV.	1 of 1	ISSUE DATE	STORE TYPE	STORE #
	SURFACE-MOUNTED 4'-0" X 4'-0" ILLUMINATED SIGN BOX	2017 NOV	15	S112	2021 APR		



LCBO	S100 SIGNAGE/GRAPHICS	REVISION DATE	REV.	1 OF 1	ISSUE DATE	STORE TYPE	STORE #
	STEM-MOUNTED RECTANGULAR ILLUMINATED BOX SIGN	2017 NOV	15	S113L	2021 APR		



1 ELEVATION
S113 1 1/2" = 1'-0"

L.E.D. ILLUMINATED SIGN PANEL W/ 1 1/2" FLIPFRAME IN SATIN CLEAR ANODIZED FINISH

DOTTED LINES OF 27 1/2" x 53 1/2" GRAPHIC INSERT (SUPPLIED BY LCBO). CONFIRM GRAPHIC SIZE WITH LCBO PRIOR TO SHOP DRAWING SUBMISSION.

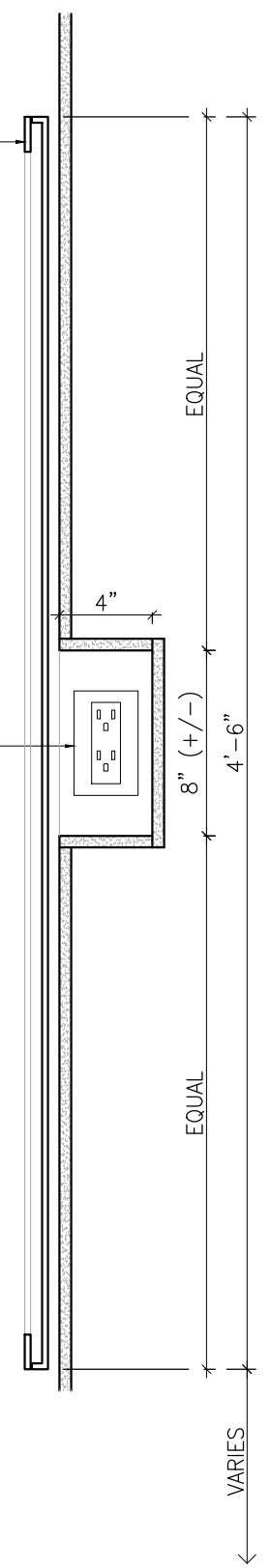
NOTE:
POWER CORD & TRANSFORMER TO BE WHITE

GC TO PROVIDE DUPLEX RECEPTACLE, RECESSED INTO PARTITION & CONCEALED BEHIND SIGN BOX (APPROXIMATELY 8"x8"x4" DP.), TO ACCOMMODATE PLUG + DRIVER IN ORDER TO ALLOW SIGN BOX TO BE FLUSH TO PARTITION. GC TO ENSURE POWER CABLES AND DRIVER ARE NEATLY CONCEALED BEHIND PANEL WITHIN RECESS.

GENERAL NOTES:
SIGN PANELS + STAND-OFFS BY:
FORWARD SIGNS
TEL: (416) 291-4477

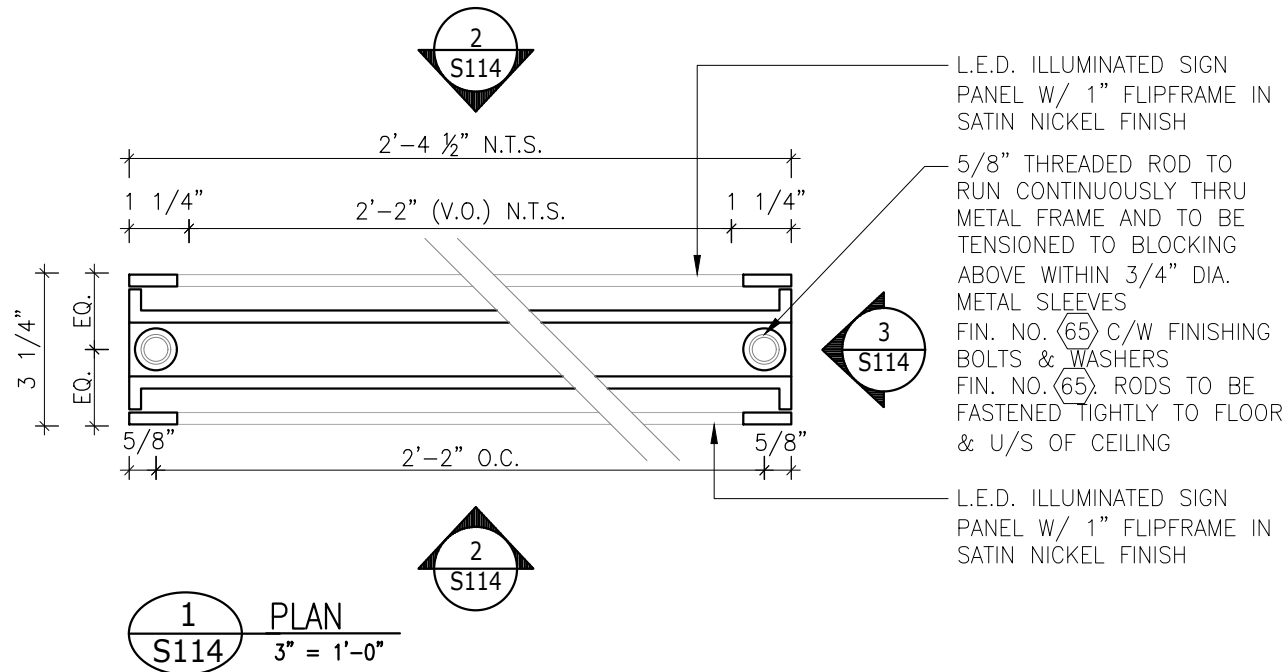
GC TO SUPPLY + INSTALL ALL UNITS AS SHOWN. COORDINATE WITH INTERIOR ELEVATIONS + PROVIDE BLOCKING AS REQ'D.

GC TO CONFIRM ALL DIMENSIONS WITH LCBO PRIOR TO SHOP DRAWING SUBMITTAL.



2 SECTION
S113 1 1/2" = 1'-0"

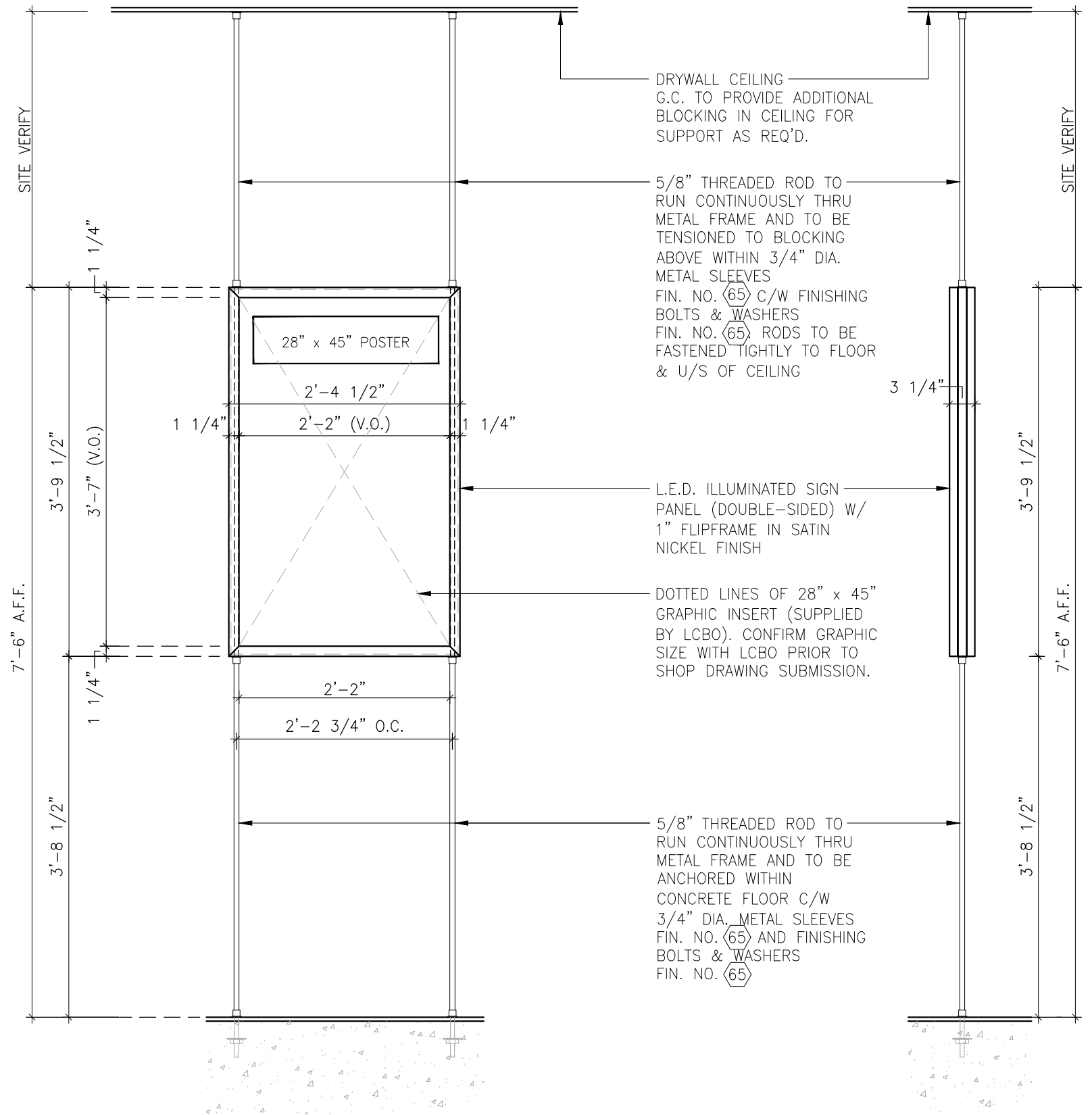
LCBO	S100 SIGNAGE/GRAPHICS	REVISION DATE	REV.	1 OF 1	ISSUE DATE	STORE TYPE	STORE #
	SURFACE-MOUNTED RECTANGULAR ILLUMINATED BOX SIGN	2017 NOV	15	S113	2021 APR		



GENERAL NOTES:
 DOUBLE-SIDED SIGN PANEL + THREADED RODS FORWARD SIGNS
 TEL: (416) 291-4477

GC TO SUPPLY + INSTALL ALL UNITS AS SHOWN. COORDINATE WITH INTERIOR ELEVATIONS + PROVIDE BLOCKING AS REQ'D.

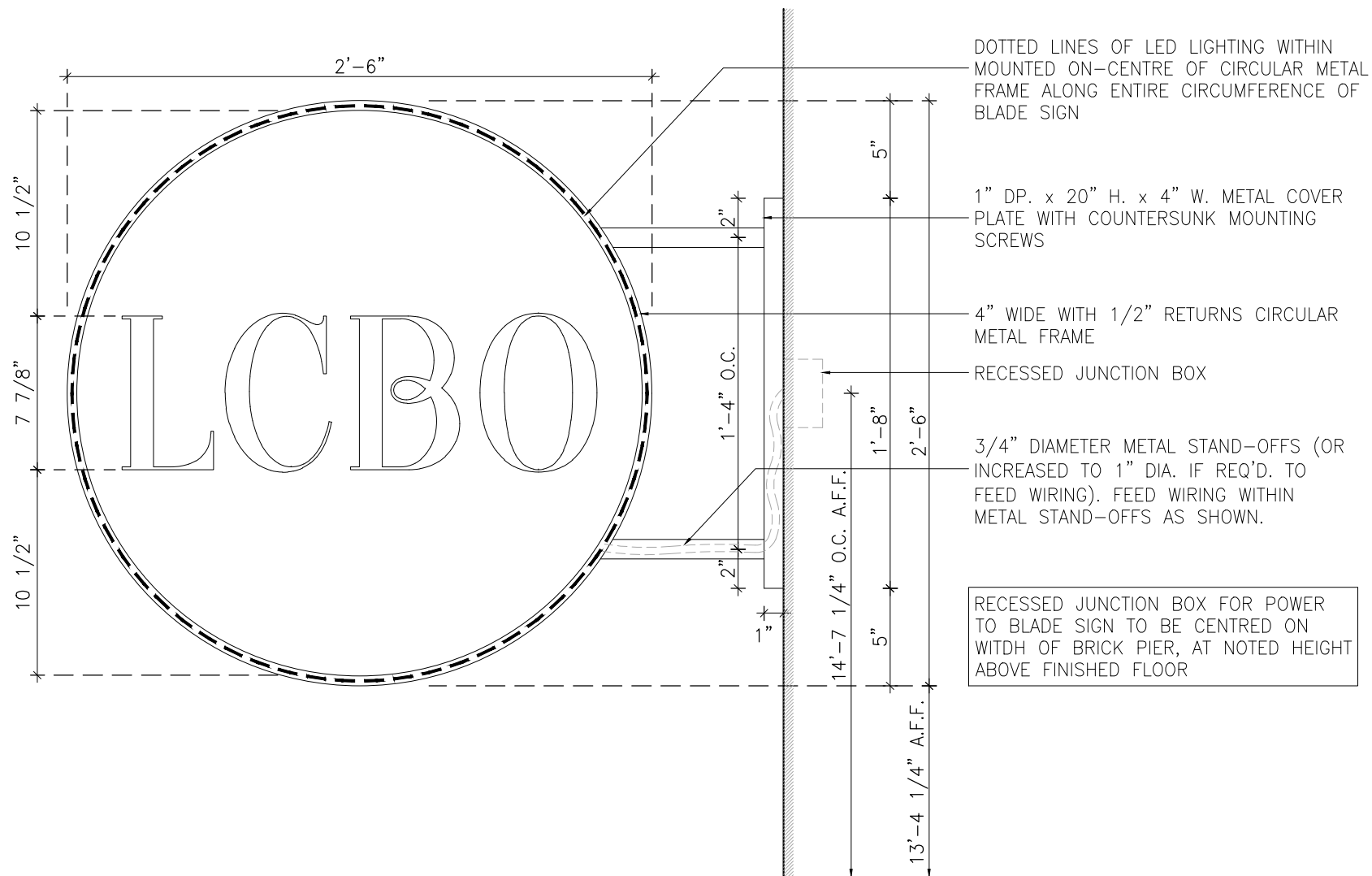
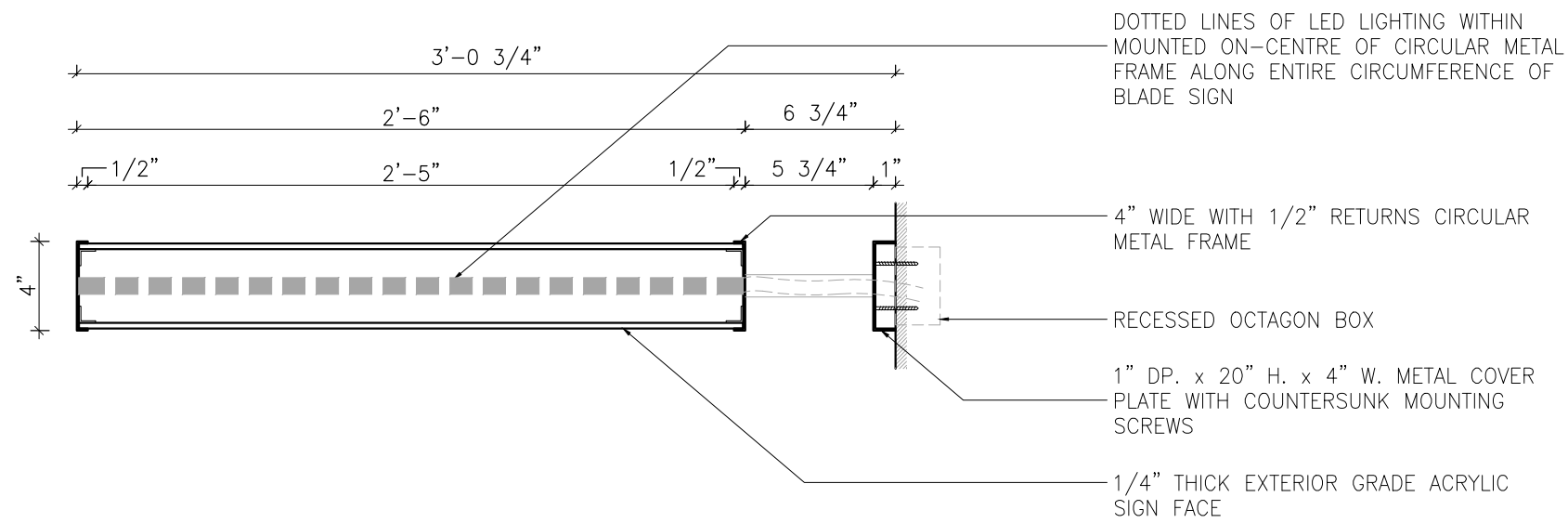
GC TO CONFIRM ALL DIMENSIONS WITH LCBO PRIOR TO SHOP DRAWING SUBMITTAL.



2 ELEVATION
S114 3/4" = 1'-0"

3 ELEVATION
S114 3/4" = 1'-0"

LCBO	S100 SIGNAGE/GRAPHICS	REVISION DATE	REV.	1 of 1	ISSUE DATE	STORE TYPE	STORE #
	DOUBLE-SIDED ILLUMINATED TRANSPARENCY BOX	2017 NOV	15	S114	2021 APR		

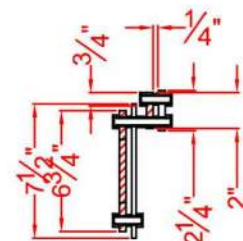
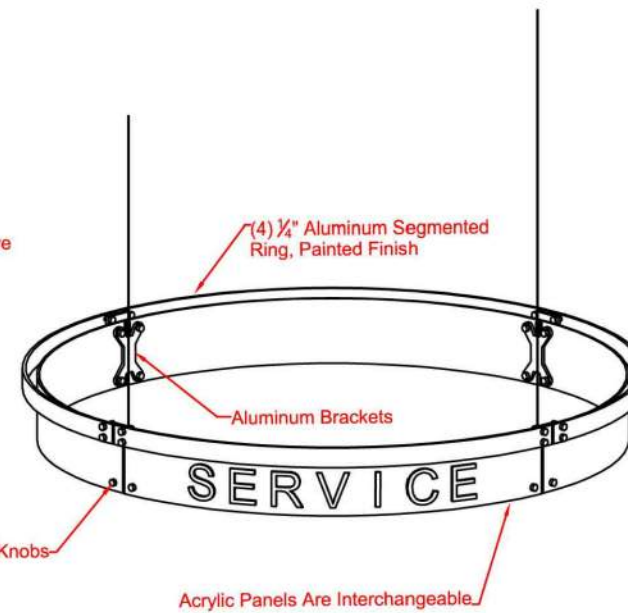
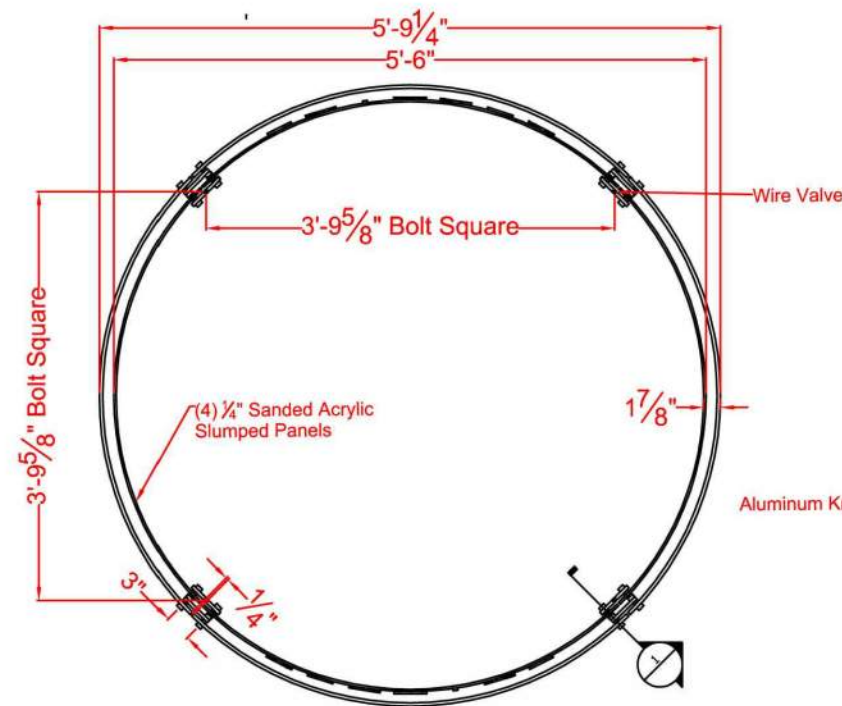


RECESSED JUNCTION BOX FOR POWER TO BLADE SIGN TO BE CENTRED ON WIDTH OF BRICK PIER, AT NOTED HEIGHT ABOVE FINISHED FLOOR

- BLADE SIGN MATERIAL/FINISHES LEGEND:**
- LCBO COPY "LCBO" LETTERING IN 3M #3735-60 WHITE FINISH
 - ALL METAL COMPONENTS IN SATIN ANODIZED ALUMINUM FINISH
 - ACRYLIC SIGN FACE WITH 3M #3630-5670 LCBO GREEN
 - LED LIGHTING TO BE ALLANSON STORMTIGHT LED

- GENERAL NOTES:**
- REFER TO LCBO SPECIFICATIONS FOR ADDITIONAL INFORMATION REGARDING EXTERIOR SIGNAGE REQUIREMENTS
 - EACH BLADE SIGN TO HAVE ENGLISH TEXT ON ONE SIDE AND FRENCH TEXT ON THE OPPOSITE SIDE. LCBO TO PROVIDE ARTWORK TO SIGNAGE CONTRACTOR FOR USE IN PREPARATION OF SIGNAGE SHOP DRAWINGS.

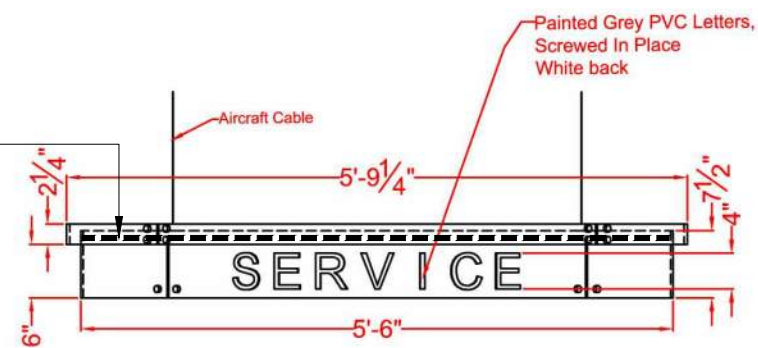
LCBO	S100 SIGNAGE/GRAPHICS	REVISION DATE	REV.	1 of 1	ISSUE DATE	STORE TYPE	STORE #
	2-SIDED EXTERIOR BLADE SIGN (INTERNALLY ILLUMINATED)	2016 OCT13	14	S115	2021 APR		



1 Section View
Scale: 2:1

NOTE:
LOCATION OF 'SERVICE'
SIGNAGE TO BE READ IN
CONJUNCTION W/
REFLECTED CEILING PLAN

DOTTED LINE OF LED TAPE
LIGHT TO ILLUMINATE
PLEXI 'SERVICE' SIGN

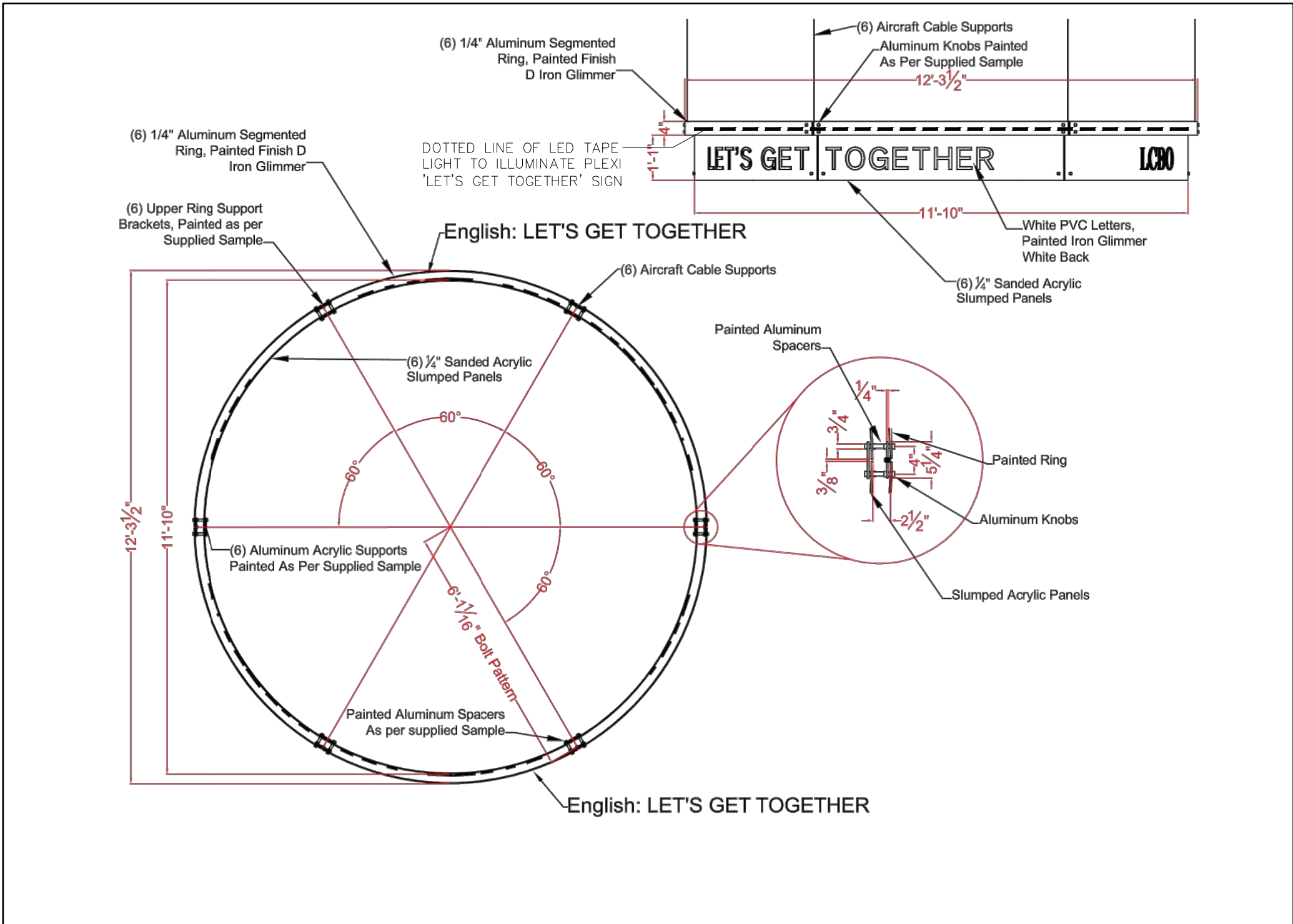


Painted Aluminum Ring & Metal work, Painted Letter and Sanded Acrylic

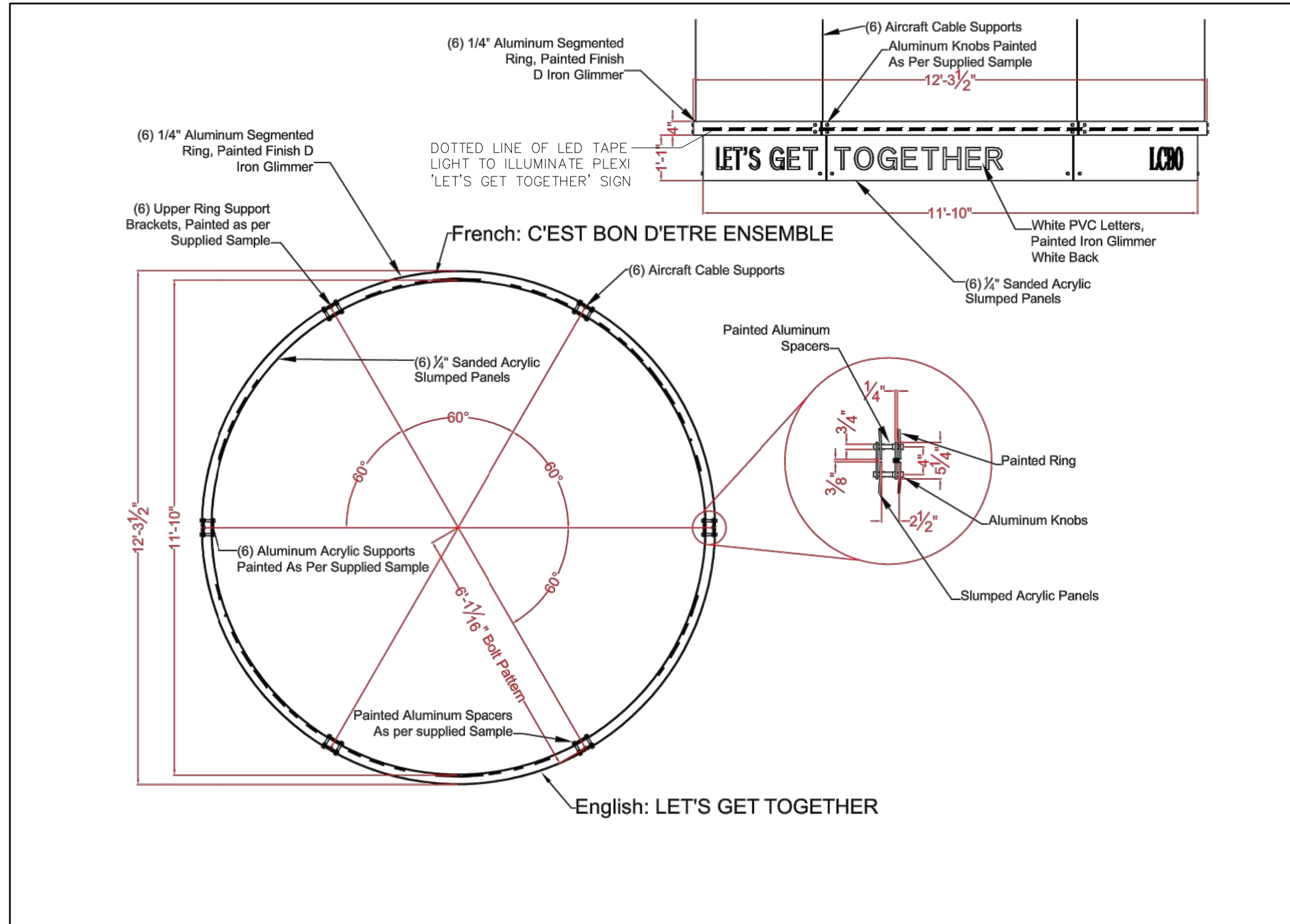
LCBO

S100 SIGNAGE/GRAPHICS	REVISION DATE	REV.	1 of 1	ISSUE DATE	STORE TYPE	STORE #
SUSPENDED LED ILLUMINATED PLEXI-GLASS 'SERVICE' SIGN	2016 OCT13	14	S116	2021 APR		

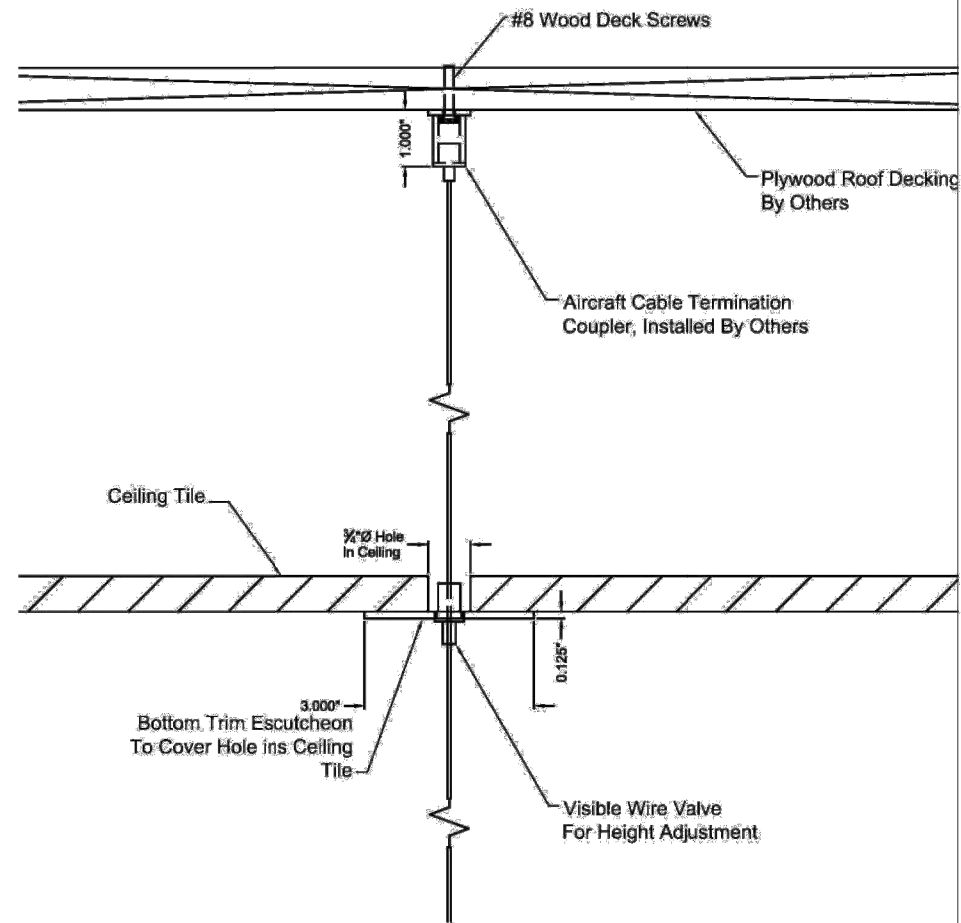
REVISION DATE	REV.	1 of 1	ISSUE DATE	STORE TYPE	STORE #
2016 OCT13	14	S116	2021 APR		



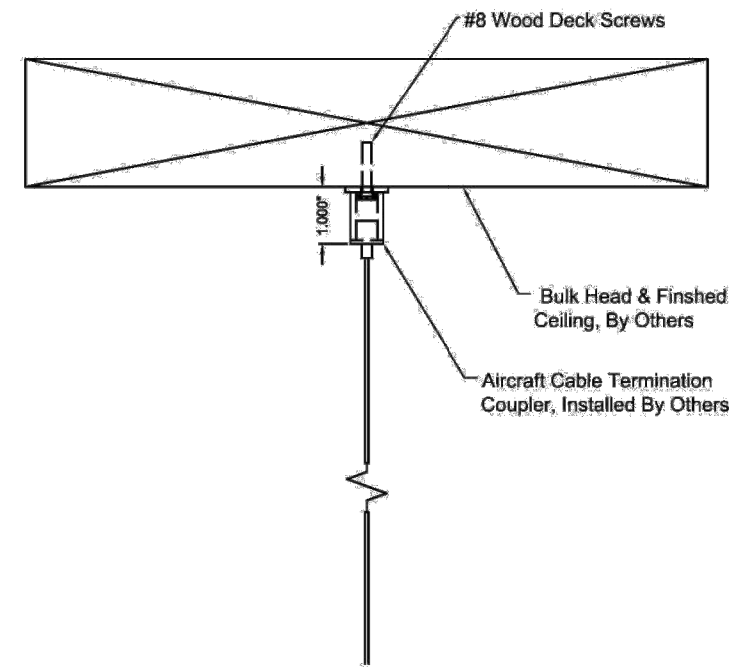
LCBO	S100 SIGNAGE/GRAPHICS	REVISION DATE	REV.	1 of 3	ISSUE DATE	STORE TYPE	STORE #
	SUSPENDED LED ILLUMINATED PLEXI-GLASS 'LET'S GET TOGETHER' SIGN	2016 OCT13	14	S117	2021 APR		



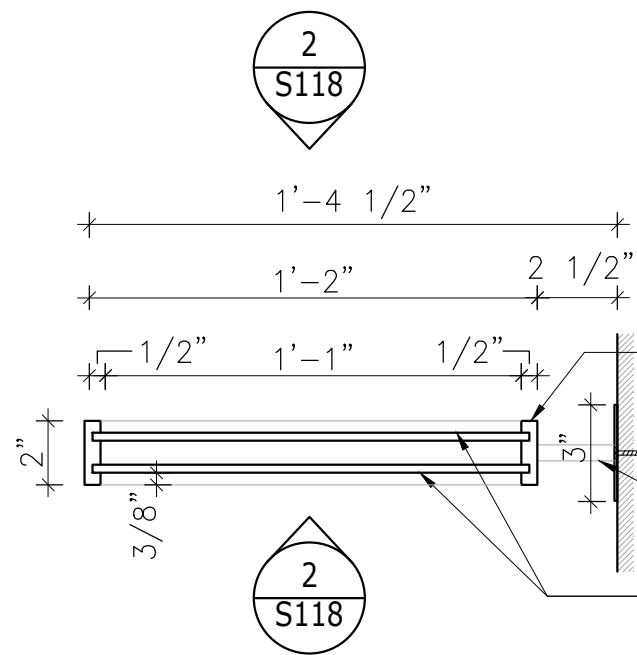
LCBO	S100 SIGNAGE/GRAPHICS	REVISION DATE	REV.	2 of 3	ISSUE DATE	STORE TYPE	STORE #
	SUSPENDED LED ILLUMINATED PLEXI-GLASS 'LET'S GET TOGETHER' SIGN	2016 OCT13	14	S117	2021 APR		



1 'Let's Get Together' Sign Mounting Detail Quantity: 6 Per



1 Service Sign Mounting Detail Quantity: 6 Per



GENERAL NOTES:
SIGNAGE CONTRACTOR TO OBTAIN ARTWORK FROM LCBO. SIGNAGE CONTRACTOR TO PROVIDE SHOP DRAWINGS FOR APPROVAL.

- 2" WIDE W/ 1/2" RETURNS CIRCULAR P. LAM. FRAME FIN. NO. (08)
- 1/2" DIAMETER SATIN STAINLESS STEEL STAND-OFFS
- 1/4" THICK WHITE OPAQUE ACRYLIC SIGN FACE BOTH SIDES

1 PLAN
S118 2" = 1'-0"

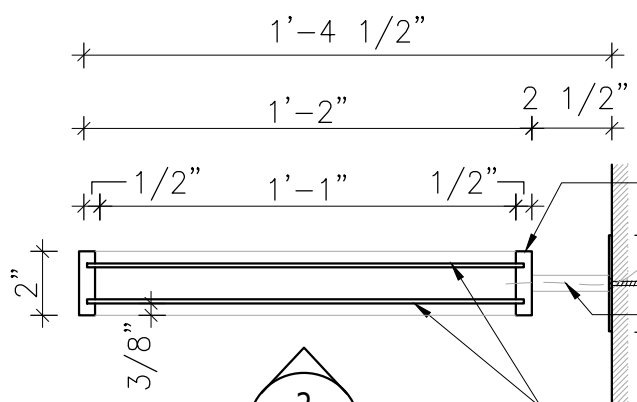


- VINTAGES ARTWORK AVERY VINYL #UC 900-667-T PMS 274C
- 2" WIDE W/ 1/2" RETURNS CIRCULAR P. LAM. FRAME FIN. NO. (08)
- 11 1/2" H. x 3" W. SATIN STAINLESS STEEL METAL COVER PLATE WITH MATCHING COUNTERSUNK MOUNTING SCREWS
- 1/2" DIAMETER SATIN STAINLESS STEEL STAND-OFFS

2 ELEVATION
S118 2" = 1'-0"

LCBO	S100 SIGNAGE/GRAPHICS	REVISION DATE	REV.	1 of 1	ISSUE DATE	STORE TYPE	STORE #
	2-SIDED INTERIOR VINTAGES BLADE SIGN (NON-ILLUMINATED)	2017 NOV	15	S118	2021 APR		

2
S119



GENERAL NOTES:
SIGNAGE CONTRACTOR TO OBTAIN ARTWORK FROM LCBO. SIGNAGE CONTRACTOR TO PROVIDE SHOP DRAWINGS FOR APPROVAL.

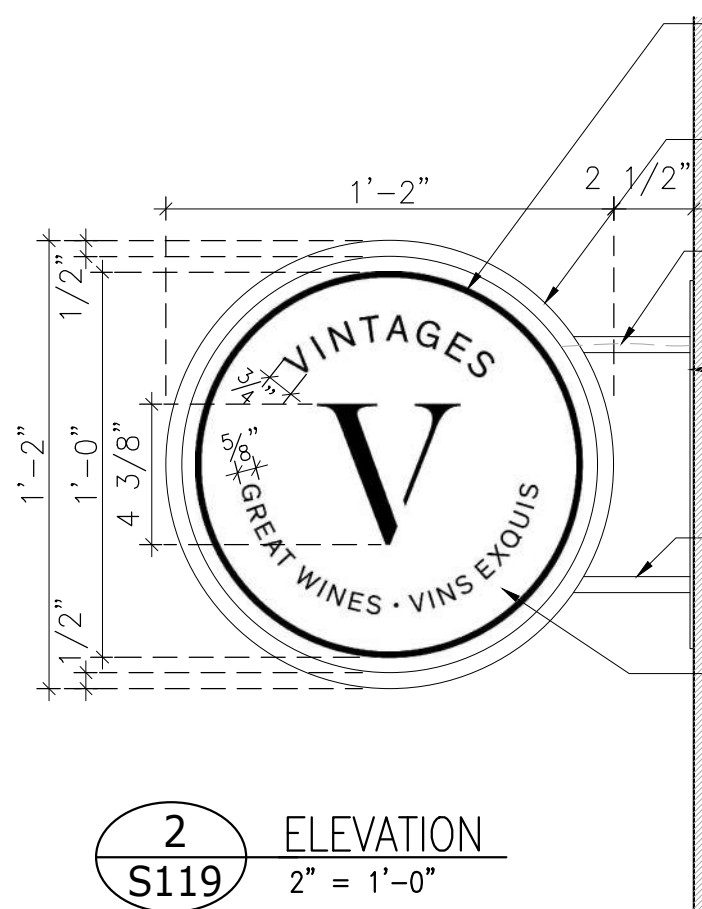
2" WIDE W/ 1/2" RETURNS
CIRCULAR P. LAM. FRAME
FIN. NO. 08

POWER TO BE FED THRU
ARMATURE & STAND-OFF

LED INTERNALLY ILLUMINATED 1/4" THK.
#2447 WHITE TRANSLUCENT ACRYLIC SIGN
FACE BOTH SIDES W/ 3M 3735-60 WHITE
DIFFUSER FILM (BOTTOM LAYER)
LIGHT SOURCE: ALLANSON STORM TIGHT II
LED ACLW-CW2

1
S119 PLAN
2" = 1'-0"

2
S119



VINTAGES ARTWORK AVERY VINYL
#UC 900-667-T PMS 274C (TOP LAYER)

2" WIDE W/ 1/2" RETURNS CIRCULAR
P. LAM. FRAME FIN. NO. 08

POWER TO BE FED THRU
ARMATURE & STAND-OFF

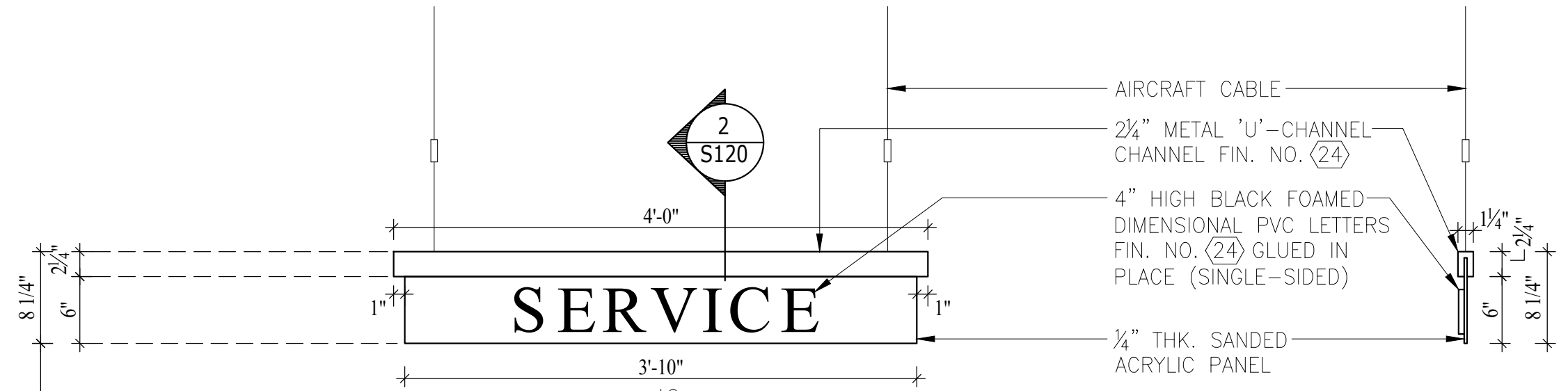
11 1/2" H. x 3" W. SATIN
STAINLESS STEEL METAL COVER
PLATE WITH MATCHING
COUNTERSUNK MOUNTING SCREWS

1/2" DIAMETER SATIN STAINLESS
STEEL STAND-OFFS

LED INTERNALLY ILLUMINATED 1/4" THK.
#2447 WHITE TRANSLUCENT ACRYLIC SIGN
FACE BOTH SIDES W/ 3M 3735-60 WHITE
DIFFUSER FILM (BOTTOM LAYER)
LIGHT SOURCE: ALLANSON STORM TIGHT II
LED ACLW-CW2

2
S119 ELEVATION
2" = 1'-0"

LCBO	S100 SIGNAGE/GRAPHICS	REVISION DATE	REV.	1 of 1	ISSUE DATE	STORE TYPE	STORE #
	2-SIDED INTERIOR VINTAGES BLADE SIGN (ILLUMINATED)	2017 NOV	15	S119	2021 APR		



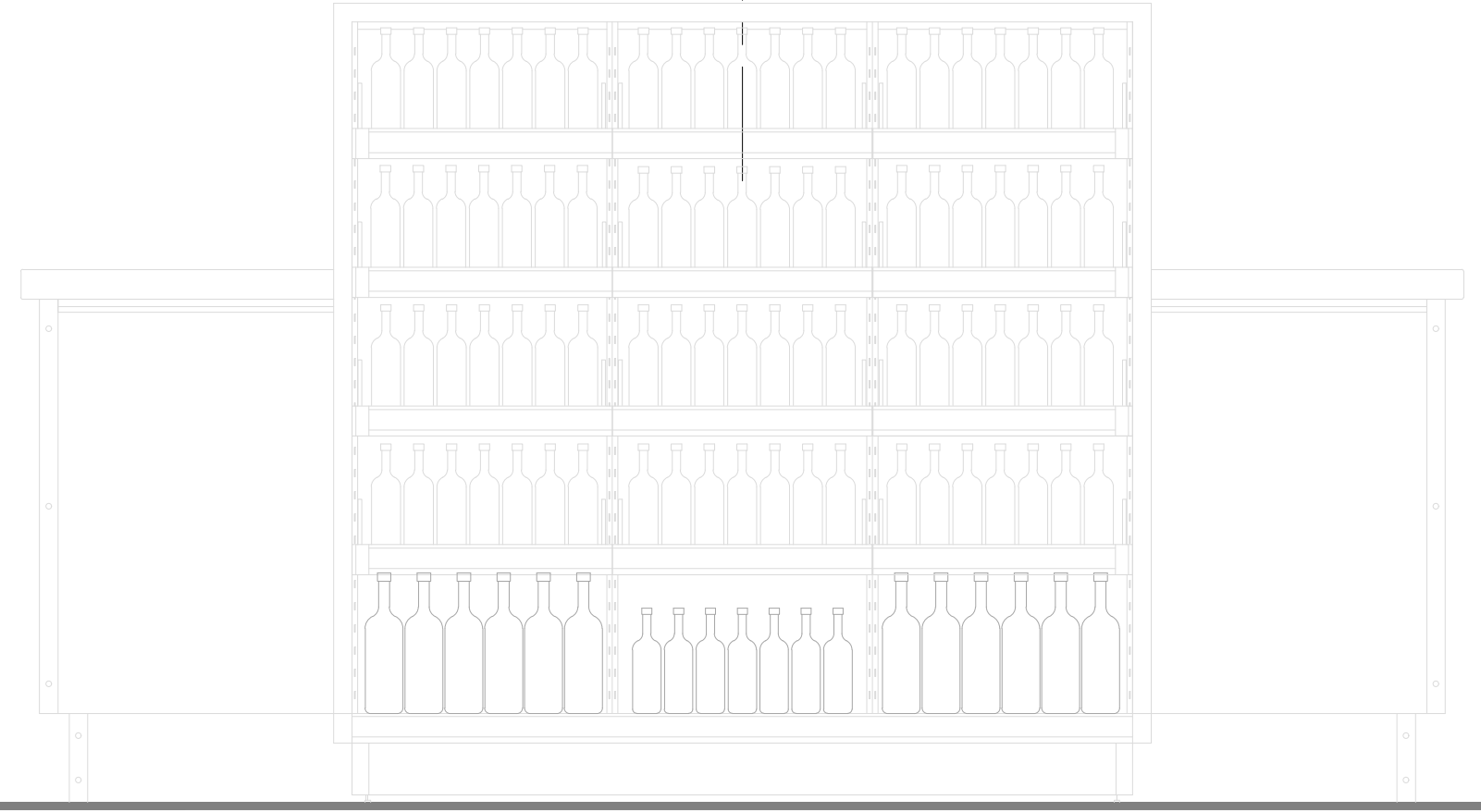
2
S120

ELEVATION
1" = 1'-0"

2
S120

SECTION
1" = 1'-0"

7'-6" (N.T.S.) FOR 3-HIGH SHELVING
OR 8'-0" (N.T.S.) FOR 4-HIGH SHELVING



LCBO	S100 SIGNAGE/GRAPHICS	REVISION DATE	REV.	1 of 1	ISSUE DATE	STORE TYPE	STORE #
	SUSPENDED PLEXI-GLASS 'SERVICE' SIGN	2019 APR	16	S120	2021 APR		